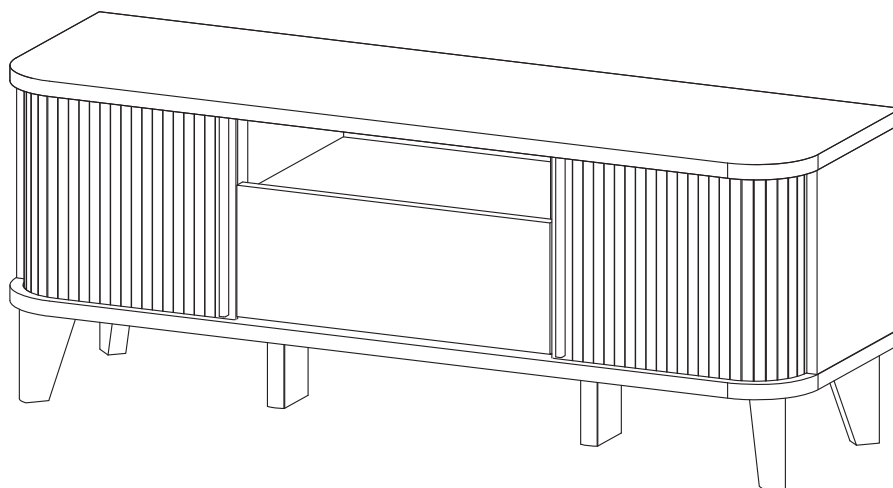


Sliding Door TV Unit

Assembly Instructions - Please keep for future reference

457/2170

hygena



Dimensions

Width - 117 cm

Depth - 35 cm

Height - 45.2 cm

Important - Please read these instructions fully before starting assembly

If you need help or have damaged or missing parts, call the **Customer Helpline: 0845 6400 800**



Safety and Care Advice

Important - Please read these instructions fully before starting assembly

- Check you have all the components and tools listed on pages 3 and 4.
- Assemble on a soft level surface to avoid damaging the unit or your floor.
- Dispose of all packaging carefully and responsibly.
- Remove all fittings from the plastic bags and separate them into their groups.
- Parts of the assembly will be easier with 2 people.
- Keep children and animals away from the work area, small parts could choke if swallowed.
- If using power tools, please follow the safety instructions supplied with the tools.
- Make sure you have enough space to layout the parts before starting.
- We do not recommend the use of power drill/ drivers for inserting screws, as this could damage the unit. Only use hand screwdrivers.
- Do not stand or put weight on the panels during assembly, this could cause damage.
- Assemble the unit as close to its final position (in the same room) as possible.



Care and maintenance

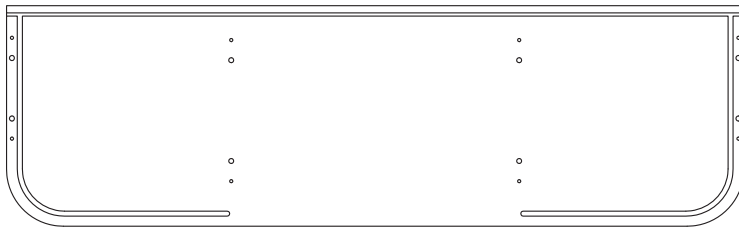
- Only clean using a damp cloth and mild detergent, do not use bleach or abrasive cleaners.
- From time to time check that there are no loose screws on this unit.
- This product should not be discarded with household waste. Take to your local authority waste disposal centre.

Note: if required the next page can be cut out and used as reference throughout the assembly. Keep this page with these instructions for future reference.

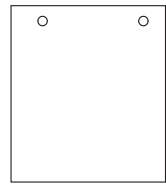
Component - Panels

If you have damaged or missing components
call the **Customer Helpline: 0845 6400 800**

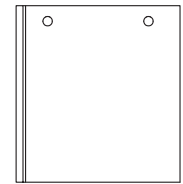
Please check you have all the panels listed below



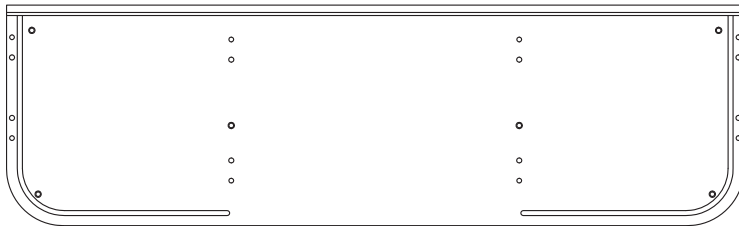
1 Top
(117 x 35 cm)



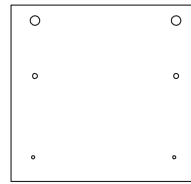
3 Left side
(28 x 26 cm)



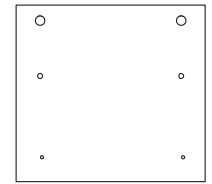
4 Right side
(28 x 26cm)



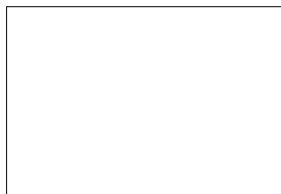
2 Bottom
(117 x 35 cm)



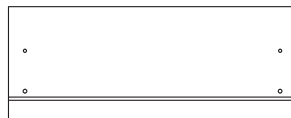
5 Vertical partition
(28x 30 cm)



6 Vertical partition
(28x 30 cm)



7 Shelf
(44.2 x 29.8 cm)



8 Drawer front
(45.7 x 18 cm)



9 Drawer left side
(30 x 11.6 cm)



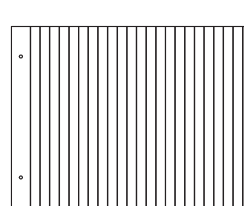
10 Drawer right side
(30 x 11.6 cm)



11 Drawer back
(39.3 x 11.6 cm)



12 Drawer bottom
(40.4 x 29.8 cm)



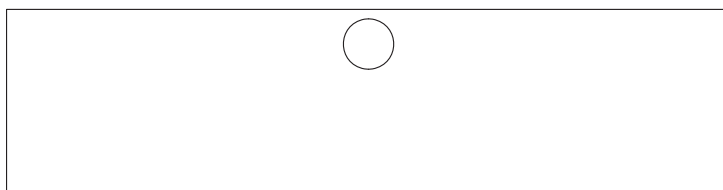
13 Sliding door x 2
(38 x 28.8 cm)



14 Leg x 4
(13 x 8 cm)



15 Leg x 2
(12.8 x 8 cm)



16 Back panel
(114.9 x 29.1 cm)

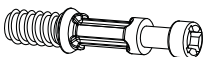


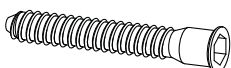


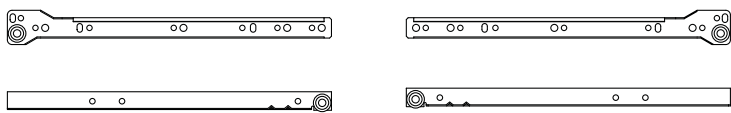


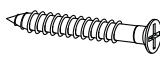


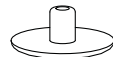


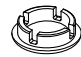
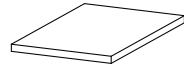


17 Wooden Handle x 2
(27.4 x 1.2 cm)

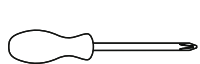


Components - Fittings

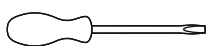
Please check you have all the fittings listed below

A  Metal dowel x 10	B  (15x13) Locking nuts x 8	C  (12x13) Locking nuts x 2
D  (7x50) Hexagon bolt x 14	E  (6x30) Wooden dowel x 2	F  (8x30) Wooden dowel x 26
G  Runner x 1		H  (6.5x10.5 mm) Screw x 4
I  (3.5x13 mm) Screw x 6	J  (8x39 mm) Screw x 4	K  Back panel connector x 8
L  (3.5x15.5) Screw x 8	M  Cap x 4	N  Allen key x 1
O  (3.5x15.5) Screw x 4	P  Cap x 4	Q  Foot Pad x 6

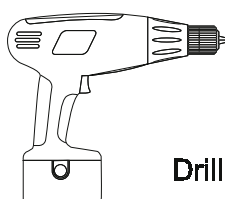
Tools required



Phillips screwdriver
(medium & large)



Flatblade screwdriver
(medium)



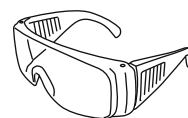
Drill



Small
hammer

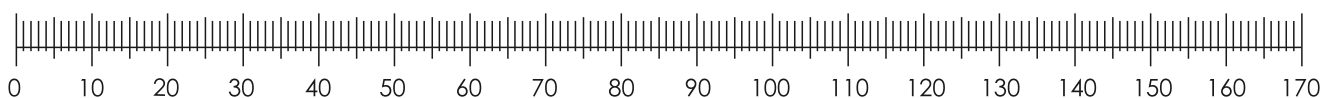


Ruler/tape
measure



Eye protection
(when using a
hammer or glue)

Ruler - Use this ruler to help correctly identify the screws

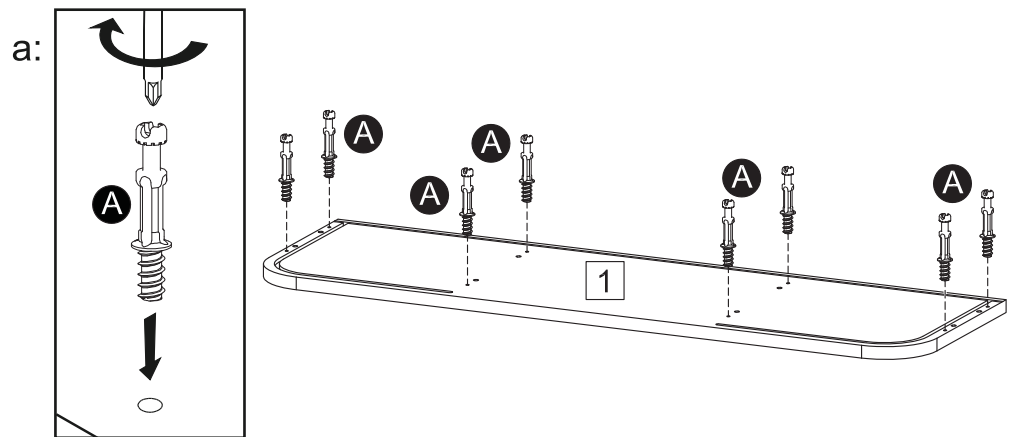


Assembly Instructions

Step 1

a: Fitting metal dowels

Screw metal dowels **A** into Top Panel **1**.
Note: Insert metal dowels as far as shown.
Do not over tighten.



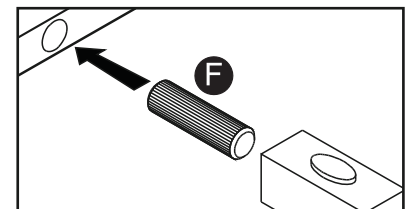
b: Fitting wood dowels

Insert wood dowels **F** into Vertical Partitions **3** and **4**.

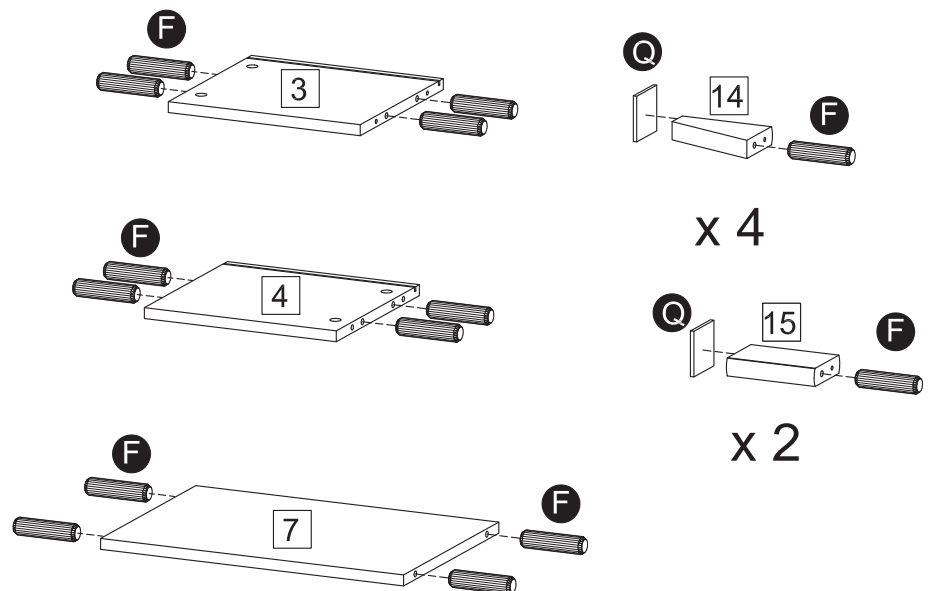
Insert wood dowels **F** into Shelf **7**, Leg **14** and Leg **15**.

Gently tap dowels into the components with a hammer if necessary.

Peel off protective film off foot pads **Q** and paste them onto Legs **15** and **16**.



b:



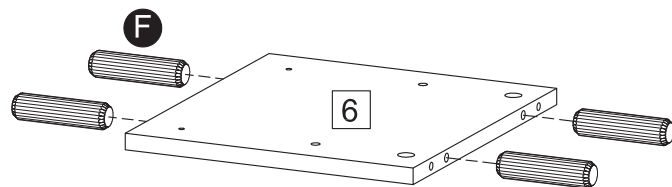
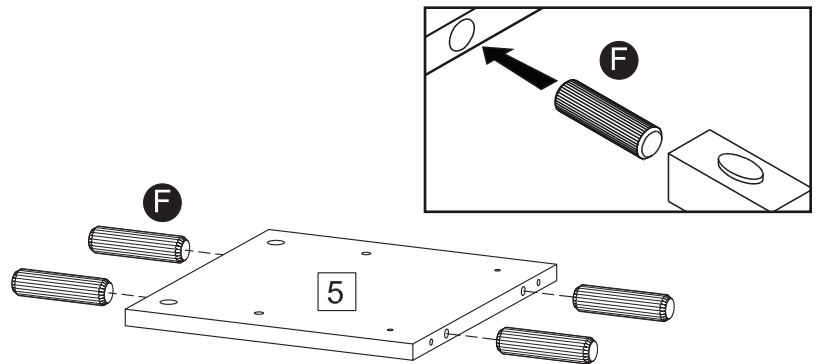
Assembly Instructions

Step 2

Fitting wood dowels

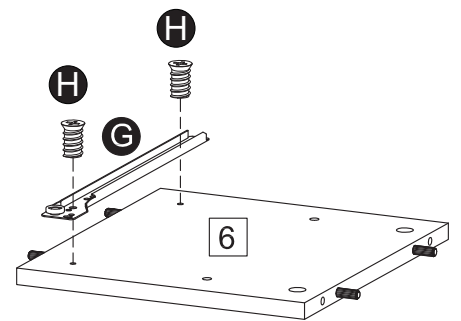
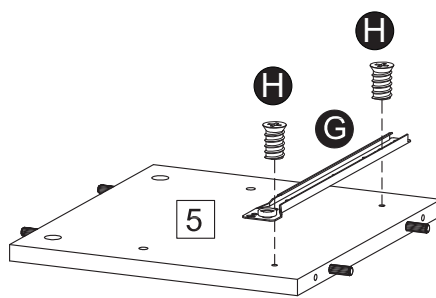
Insert wood dowels **F** into Vertical Partitions **5** and **6**.

Gently tap the dowels into the components with a hammer if necessary.

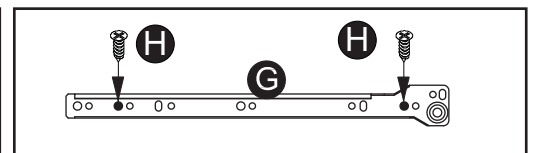
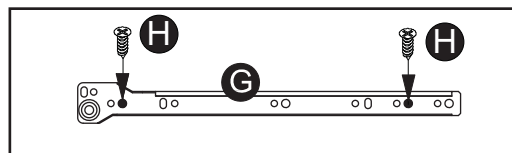


Attaching runners

Position runner **G** on Partition **5** as shown. Fix through holes shown using screws **H**.



Repeat with Partition **6**.

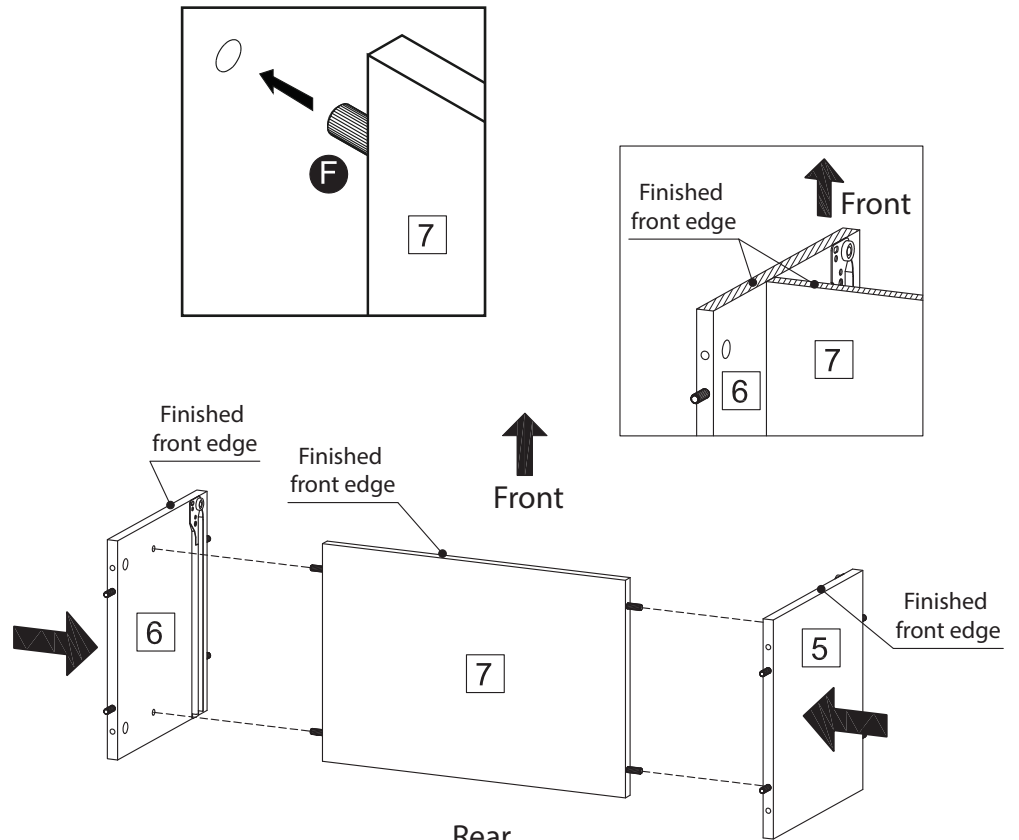


Assembly Instructions

Step 3

Attaching panels

Position partition panel **5** and **6** onto shelf **7** with the finished front edge facing up.



Step 4

Attaching panels

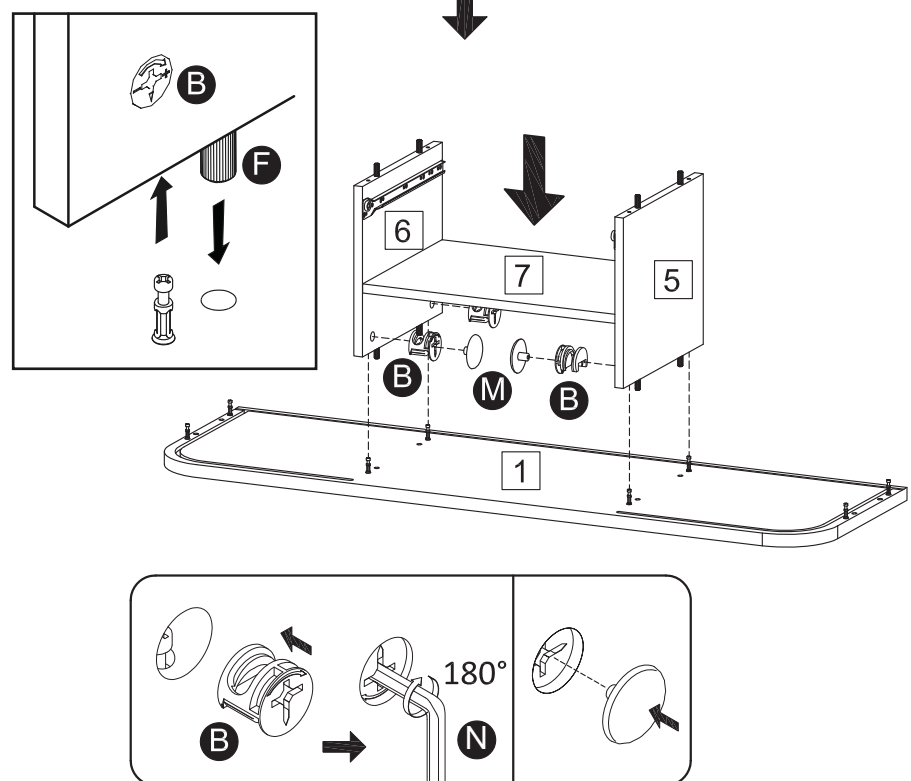
Two people are needed here.

Position the panel assembly onto Top Panel **1**.

Insert two locking nuts **B** into Panel **6** and Shelf **7** where shown.

Use Allen key **N** to turn locking nuts **B** clockwise to lock.

Cover locking nuts **B** with caps **M**.



Assembly Instructions

Step 5

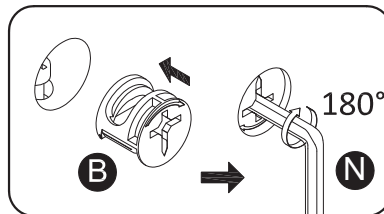
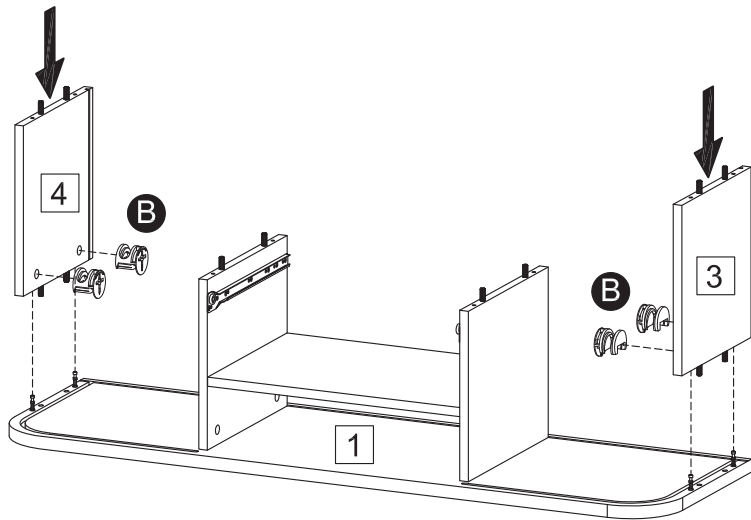
Attaching side panels

Position Left Side **3** and Right Side **4** onto Top Panel **1** as shown.

Insert two locking nuts **B** into Panel **6** and Shelf **7** where shown.

Use Allen key **N** to turn locking nuts **B** clockwise to lock.

Cover locking nuts **B** with caps **N**.

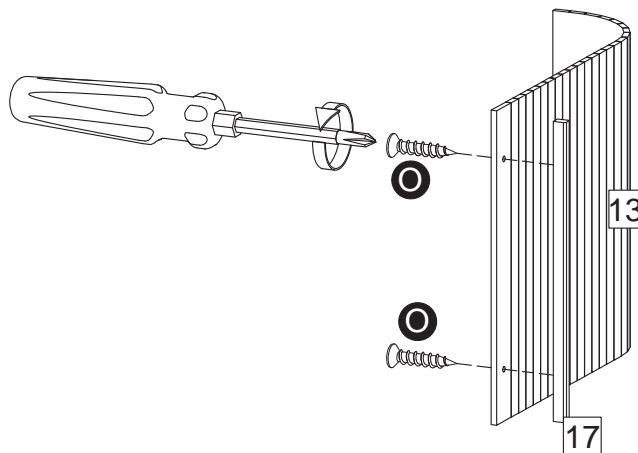


Step 6

Attaching handles

Attach wooden handle **17** to sliding door **13** using screws **O**.

Repeat with remaining door.



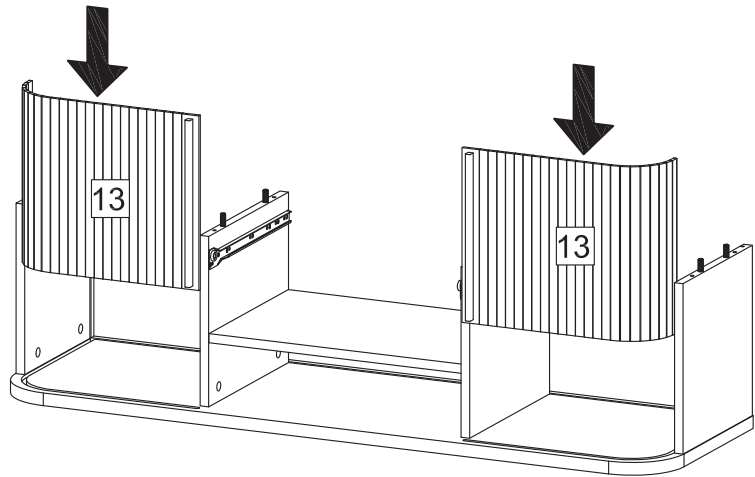
Assembly Instructions

Step 7

Installing doors

Fit one door **13** into the groove on top panel **1**.

Repeat with the remaining door on the other side.

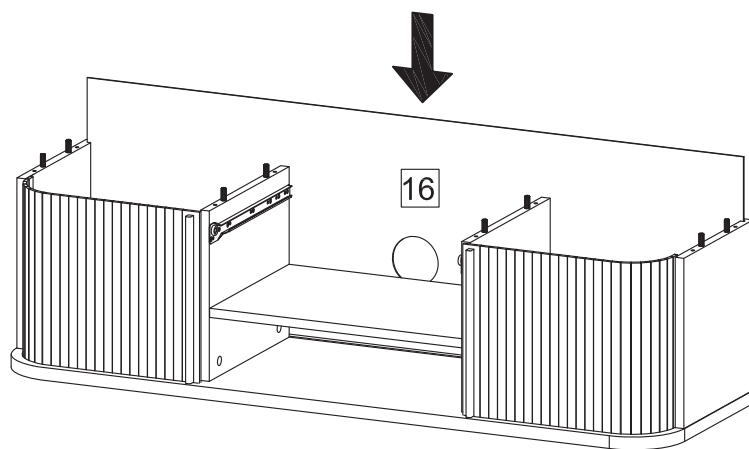


Step 8

Installing back panel

Turn the Back Panel **16** so that the long edge with cable hole goes in first.

Slide Back Panel **16** with so that it fits into the grooves on the Side Panels **3** and **4** and Top Panel **1**.



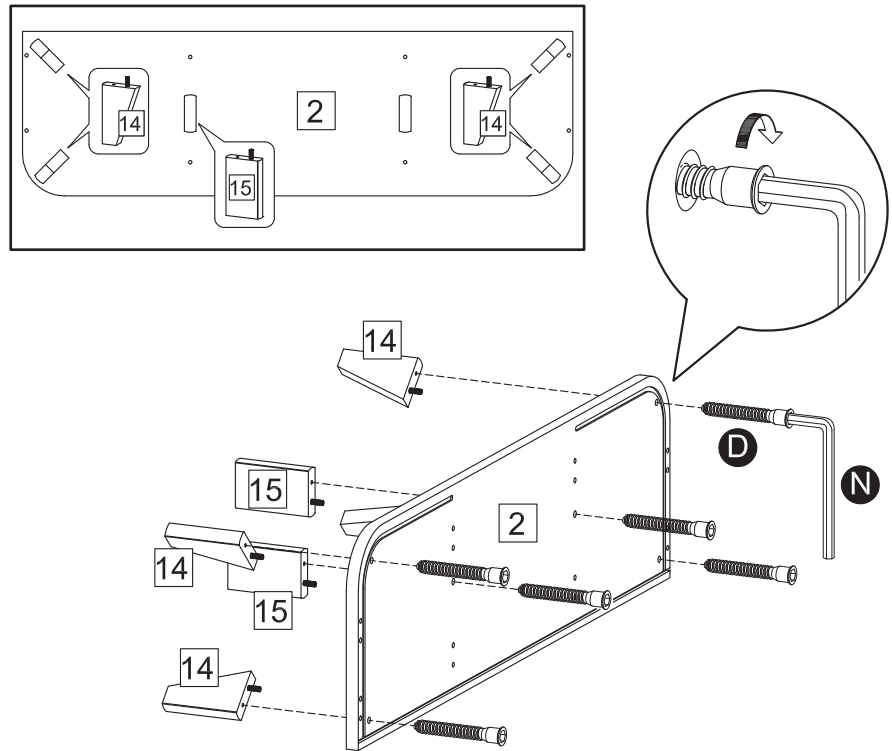
Assembly Instructions

Step 9

Attaching legs

Fit Legs **14** and **15** to Bottom Panel **2**.

Attach Legs **14** and **15** to Bottom Panel **2** using hexagon bolts **D**.



Step 10

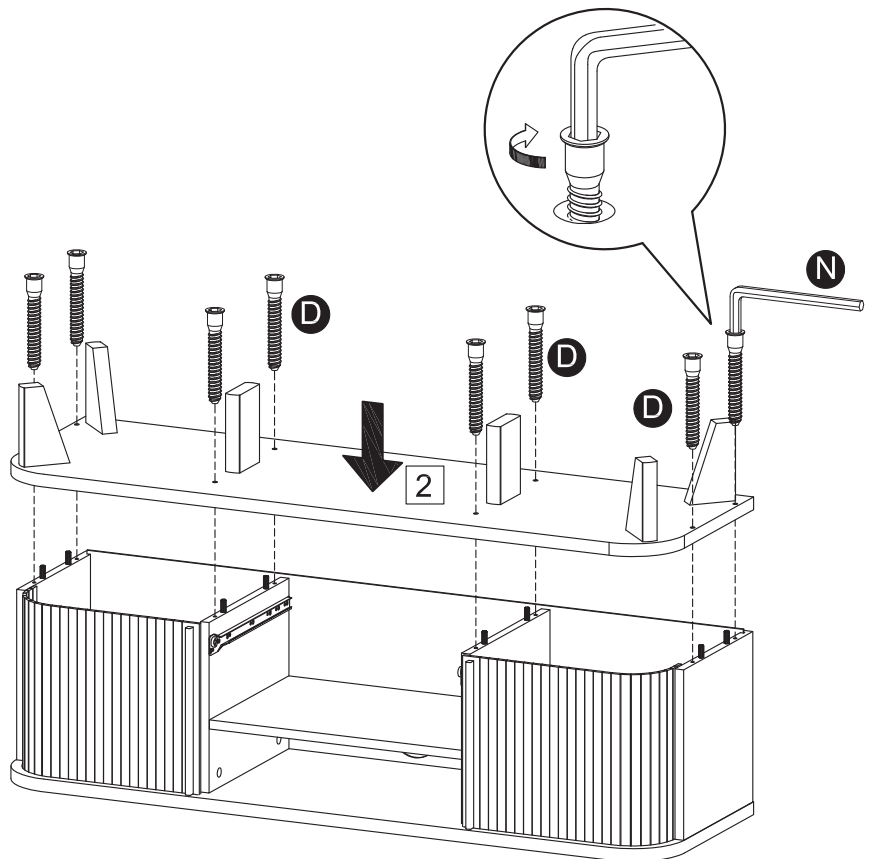
Installing base

Two people are needed here.

Position Bottom Panel **2** onto the assembly.

Attach bottom panel using hexagon bolts **D**.

With help, carefully stand the TV Unit upright.



Assembly Instructions

Step 11

Drawer assembly

a: Insert wood dowels **E** into Drawer Left Side **9** and Drawer Right Side **10** .

Gently tap dowels into the components with a hammer if necessary.

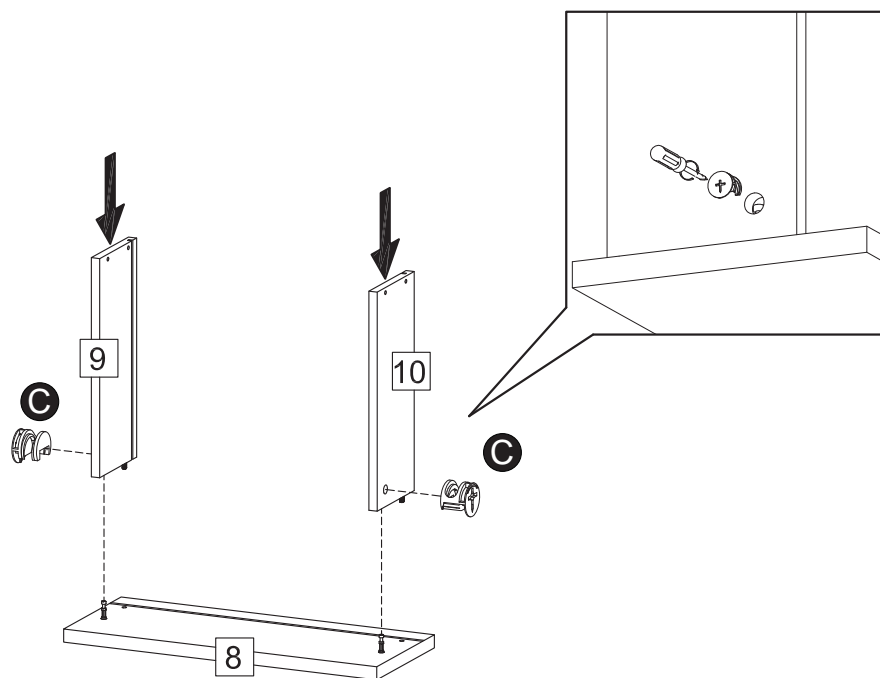
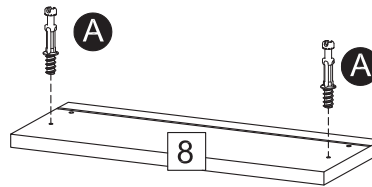
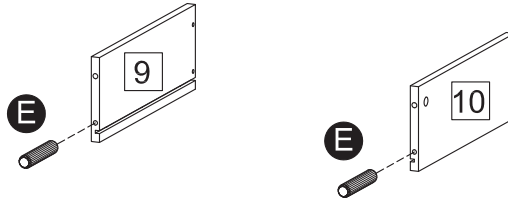
b: Screw metal dowels **A** into the back of Drawer Front **8**.

c: Position Drawer Sides **9** and **10** to the back of Drawer Front **8** as shown.

Insert a locking nut **C** each into Drawer Sides **9** and **10** where shown.

Use a screw driver to turn locking nuts **C** clockwise to lock.

Continued on next page.



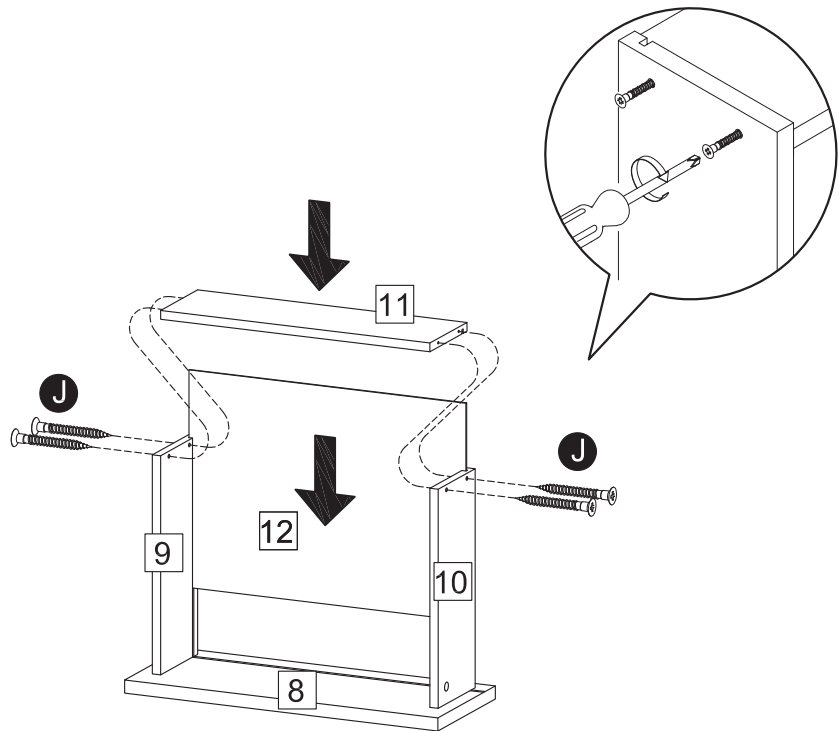
Assembly Instructions

Step 11 (cont'd)

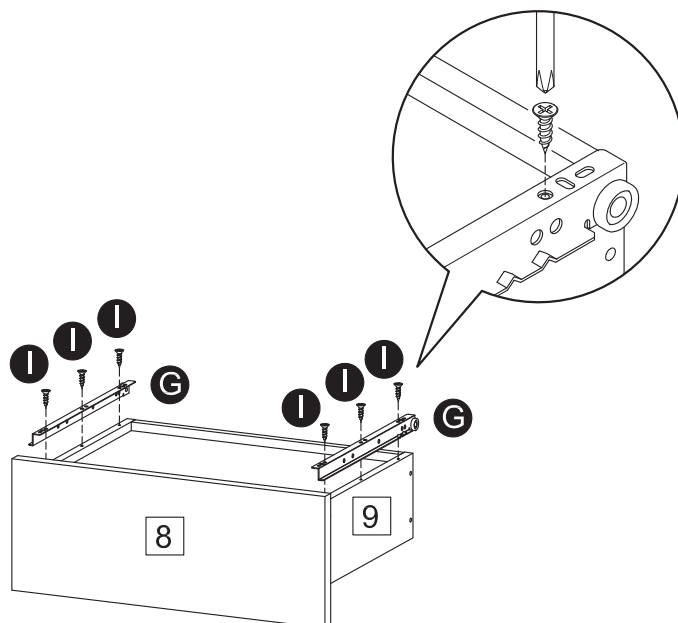
d: Slide Drawer Bottom **12** into the grooves.

e: Position Drawer Back **11** over the assembly.

Fix Drawer Back **11** to the Drawer Sides with Screws **J**.



f: Position runner **G** onto the bottom of Drawer Sides.
Fasten runner **G** with screws **I**.

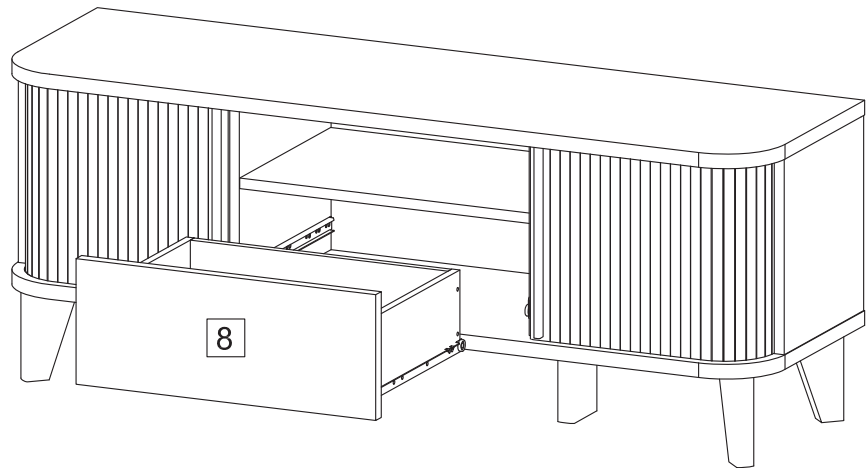
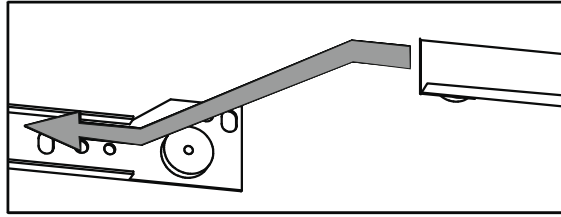


Assembly Instructions

Step 12

Inserting drawers

Insert the drawer into the unit, matching the rollers on drawer slides with the slots on the TV Unit runners.

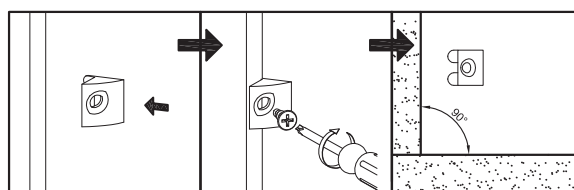
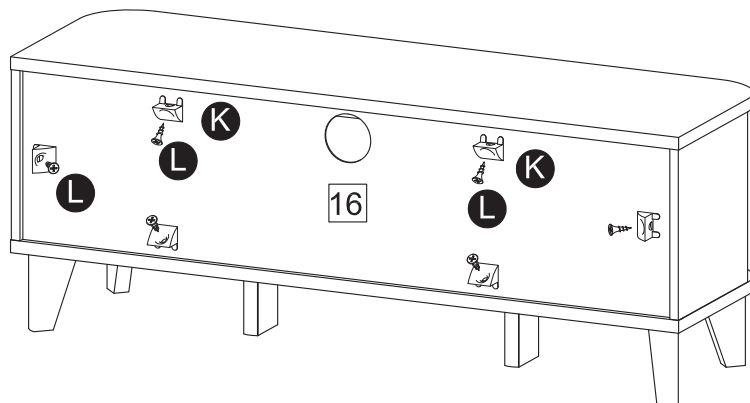


Step 13

Fixing rear panels

Fit a Back Panel Connector (K) between the Back Panel and its adjacent panel. Fix with Screw (L).

Repeat with the remaining connectors around the perimeter of the back as shown.

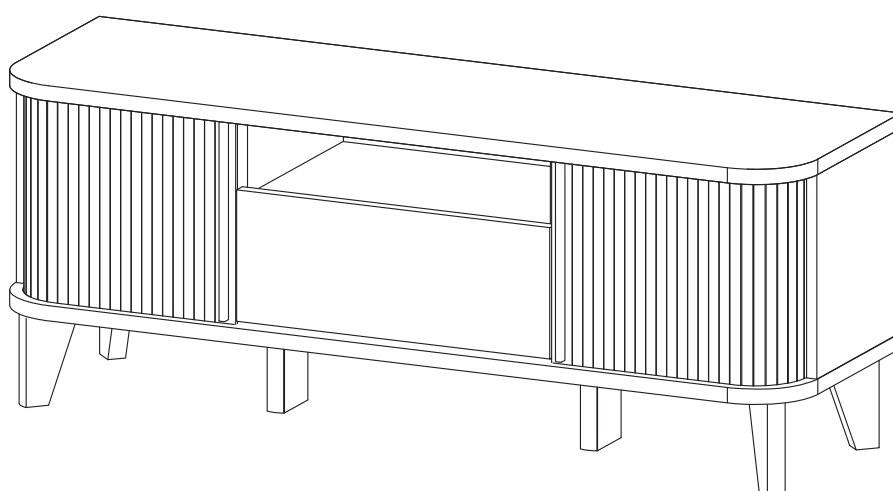
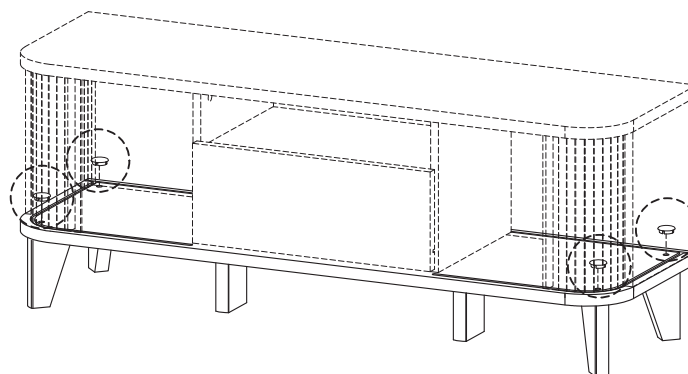
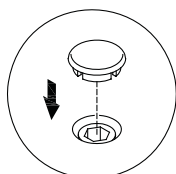
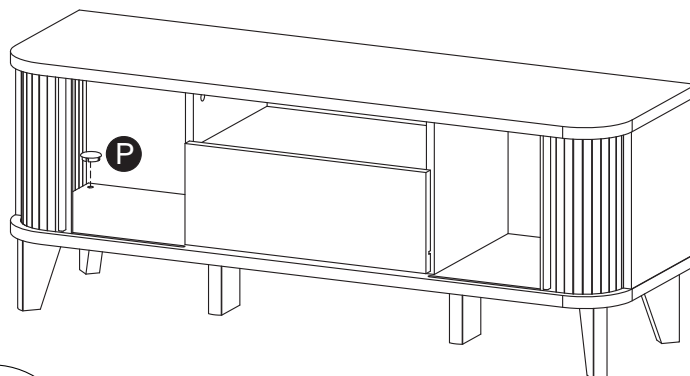


Assembly Instructions

Step 14

Fixing caps

Cover the screw heads with caps **P** as shown.



Assembly is complete.

If you need help or have damaged or missing parts, call the **Customer Helpline: 0845 6400 800**