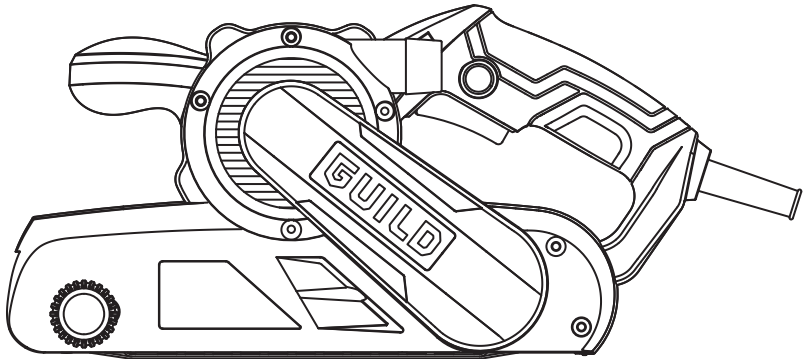


GUILD

850W Belt Sander

Instruction Manual

PBS850G



GUILD

After Sales Support

UK/Ireland 0333 3201989
Help@guildpowertools.co.uk

Important - Please read these instructions fully before operating or maintaining your Guild belt sander

These instructions contain important information that will help you get the best from your Guild belt sander, ensuring it remains safe to operate.

If you need help or have damaged or missing parts, call the Customer Helpline on 0333 3201989

Contents

Safety Information.....	3
In The Box.....	6
Accessories.....	6
Operating Instructions.....	7
Working Hints For Your Belt Sander.....	10
Maintenance.....	11
Technical Data.....	11
Environmental Protection.....	12
Guarantee.....	13
Declaration of Conformity.....	13
Plug Replacement (Uk & Ireland Only).....	14

Safety Information

Important - Please read these instructions fully before starting assembly

Warning Symbols

The following warning symbols appear throughout this assembly manual and indicate the appropriate safety measures you should take when assembling and operating the belt sander.



To reduce the risk of injury. Please read the instruction manual



Warning



Wear ear protection



Wear eye protection



Wear dust mask



Double insulation



Waste electrical products must not be disposed of with household waste. Please recycle where facilities exist. Check with your local authorities or retailer for recycling advice.

Safety Information

Important - Please read these instructions fully before starting assembly

General Power Tool Safety Warnings



WARNING! Read all safety warnings and all instructions. Failure to follow the warnings and instructions may result in electric shock, fire and/or serious injury.

Save all warnings and instructions for future reference.

The term "power tool" in the warnings refers to your mains-operated (corded) power tool or battery-operated (cordless) power tool.

1) Work area safety

- a) **Keep work area clean and well lit.** Cluttered or dark areas invite accidents.
- b) **Do not operate power tools in explosive atmospheres, such as in the presence of flammable liquids, gases or dust.** Power tools create sparks which may ignite the dust or fumes.
- c) **Keep children and bystanders away while operating a power tool.** Distractions can cause you to lose control.

2) Electrical safety

- a) **Power tool plugs must match the outlet. Never modify the plug in any way. Do not use any adapter plugs with earthed (grounded) power tools.** Unmodified plugs and matching outlets will reduce risk of electric shock.
- b) **Avoid body contact with earthed or grounded surfaces, such as pipes, radiators, ranges and refrigerators.** There is an increased risk of electric shock if your body is earthed or grounded.
- c) **Do not expose power tools to rain or wet conditions.** Water entering a power tool will increase the risk of electric shock.
- d) **Do not abuse the cord. Never use the cord for carrying, pulling or unplugging the power tool. Keep cord away from heat, oil, sharp edges or moving parts.** Damaged or entangled cords increase the risk of electric shock.
- e) **When operating a power tool outdoors, use an extension cord suitable for outdoor use.** Use of a cord suitable for outdoor use reduces the risk of electric shock.
- f) **If operating a power tool in a damp location is unavoidable, use a residual current device (RCD) protected supply.** Use of an RCD reduces the risk of electric shock.

3) Personal safety

- a) **Stay alert, watch what you are doing and use common sense when operating a power tool. Do not use a power tool while you are tired or under the influence of drugs, alcohol or medication.** A moment of inattention while operating power tools may result in serious personal injury.
- b) **Use personal protective equipment. Always wear eye protection.** Protective equipment such as dust mask, non-skid safety shoes, hard hat, or hearing protection used for appropriate conditions will reduce personal injuries.
- c) **Prevent unintentional starting. Ensure the switch is in the off-position before connecting to power source and/or battery pack, picking up or carrying the tool.** Carrying power tools with your finger on the switch or energising power tools that have the switch on invites accidents.

Safety Information

Important - Please read these instructions fully before starting assembly

General Power Tool Safety Warnings

- d) **Remove any adjusting key or wrench before turning the power tool on.** A wrench or a key left attached to a rotating part of the power tool may result in personal injury.
- e) **Do not overreach. Keep proper footing and balance at all times.** This enables better control of the power tool in unexpected situations.
- f) **Dress properly. Do not wear loose clothing or jewellery. Keep your hair, clothing and gloves away from moving parts.** Loose clothes, jewellery or long hair can be caught in moving parts.
- g) **If devices are provided for the connection of dust extraction and collection facilities, ensure these are connected and properly used.** Use of dust collection can reduce dust-related hazards.

4) Power tool use and care

- a) **Do not force the power tool. Use the correct power tool for your application.**
The correct power tool will do the job better and safer at the rate for which it was designed.
- b) **Do not use the power tool if the switch does not turn it on and off.** Any power tool that cannot be controlled with the switch is dangerous and must be repaired.
- c) **Disconnect the plug from the power source and/or the battery pack from the power tool before making any adjustments, changing accessories, or storing power tools.** Such preventive safety measures reduce the risk of starting the power tool accidentally.
- d) **Store idle power tools out of the reach of children and do not allow persons unfamiliar with the power tool or these instructions to operate the power tool.**
Power tools are dangerous in the hands of untrained users.
- e) **Maintain power tools. Check for misalignment or binding of moving parts, breakage of parts and any other condition that may affect the power tool's operation. If damaged, have the power tool repaired before use.** Many accidents are caused by poorly maintained power tools.
- f) **Keep cutting tools sharp and clean.** Properly maintained cutting tools with sharp cutting edges are less likely to bind and are easier to control.
- g) **Use the power tool, accessories and tool bits etc. in accordance with these instructions, taking into account the working conditions and the work to be performed.** Use of the power tool for operations different from those intended could result in a hazardous situation.

5) Service

Have your power tool serviced by a qualified repair person using only identical replacement parts. This will ensure that the safety of the power tool is maintained.

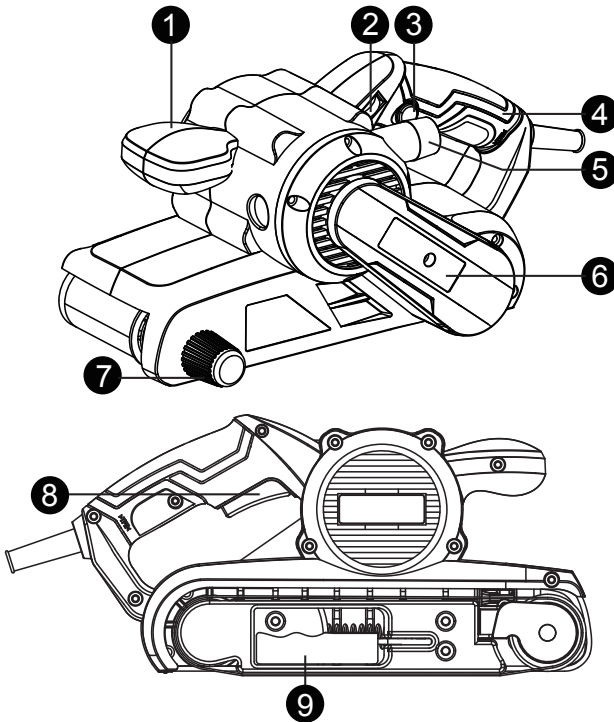
Safety Warnings For Belt Sander

Hold power tool by insulated gripping surfaces, because the belt may contact its own cord. Cutting a "live" wire may make exposed metal parts of the power tool "live" and could give the operator an electric shock.

In The Box

Parts

- ① Auxiliary Handle
- ② Variable Speed Control Dial
- ③ Lock-On Button
- ④ Hand Grip Areas
- ⑤ Dust Extraction Outlet
- ⑥ Belt Cover
- ⑦ Belt Centering Control Knob
- ⑧ On-Off Switch
- ⑨ Sanding Belt Lever
- ⑩ Sanding Belt (SEE FIG E)
- ⑪ Sanding Plate (SEE FIG F)
- ⑫ Dust Bag (SEE FIG G)



Accessories

Dust Bag
Sanding Belt

1pc
1pc

Operating Instructions



NOTE: Before using the tool, read the instruction book carefully.

INTENDED USE

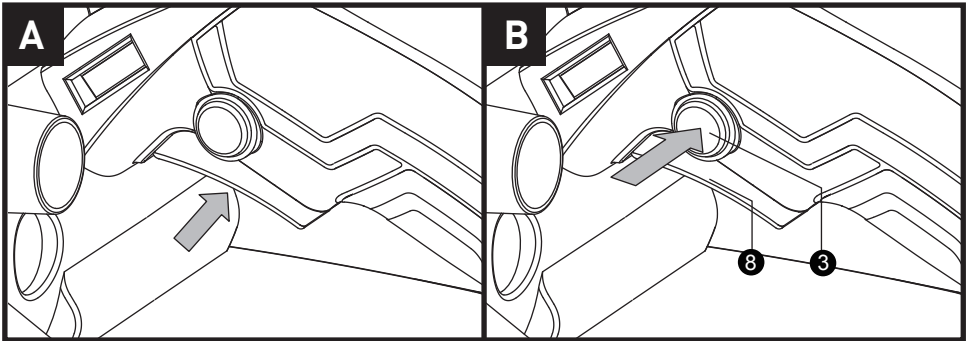
This tool is intended for dry sanding—with high removal capacity—of wood, plastic, metal, filler as well as varnished surfaces.

1. ON/OFF SWITCH (SEE FIG A)

Press to start and release to stop your tool.

2. SWITCH LOCK-ON BUTTON (SEE FIG B)

Press on/off switch (8) then lock on button (3). Your tool is now locked on for continuous use. To switch off your tool just depress and release the on/off switch.



Operating Instructions

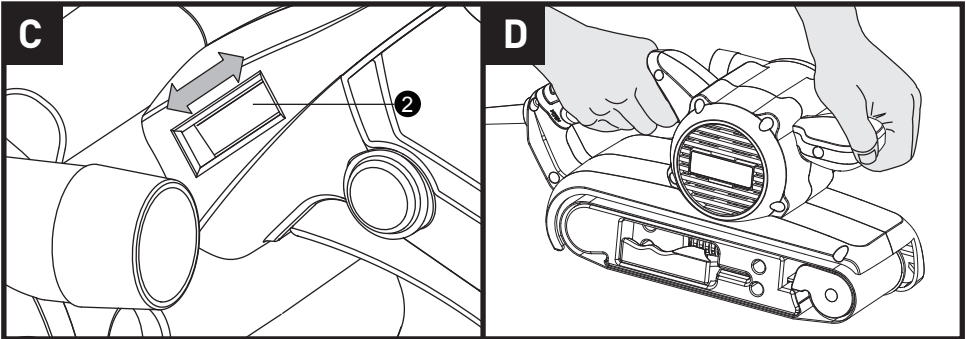
3. VARIABLE SPEED CONTROL DIAL (SEE FIG C)

Adjust the variable speed control dial (2) to increase or decrease the speed according to the material and sanding belt specification to be used (also possible during no load operation). See the table below for general guidance on speed selection. Avoid prolonged use at very low speed as this may damage your sander's motor.

Material	Speed selection	Belt Grit
Solid Wood	5-6	80
Veneer	2-4	150
Chipboard	1-5	60/80
Plastics	2-5	100
Steel	5-6	80
Paint Removal	6	40/60
Balsa Wood	1-3	100
Acrylic	1-2	100

4. HAND GRIP AREAS (SEE FIG D)

Always hold your belt sander firmly with both hands when operating.



Operating Instructions

5. CHANGING A SANDING BELT

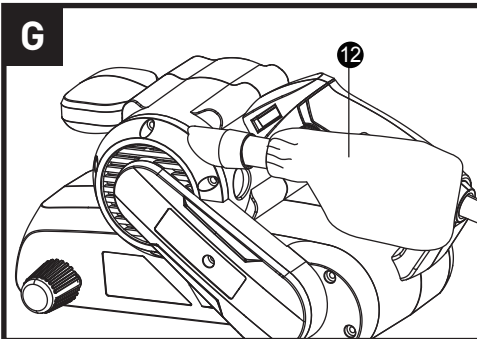
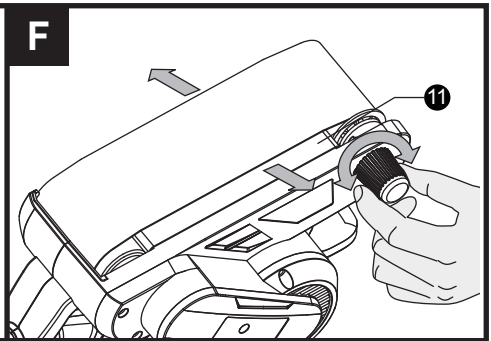
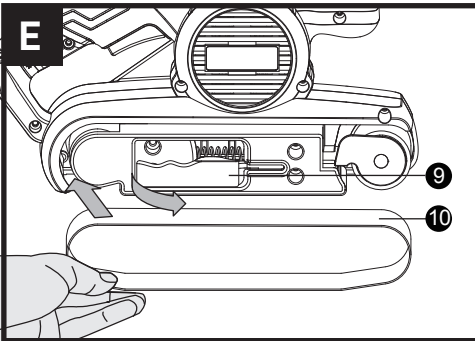
⚠ WARNING! Remove the main plug from the socket before changing sanding belt. Pull the lever (9) to release the belt tension. Remove and fit a new belt over both rollers (SEE FIG E). Ensure the direction of rotation arrows on the belt and the sander are the same. Close the lever to tension the belt .

6. BELT CENTERING CONTROL

⚠ WARNING! Wear eye protection before carrying out a belt centering adjustment Turn the tool upside down, hold it firmly with one hand, start the motor and release the switch immediately after observing tracking of sanding belt. If abrasive belt runs outward, turn tracking adjustment knob counter-clockwise and clockwise if belt runs inward (SEE FIG F). Adjust the belt until the outer edge of the belt is even with the outer edge of the base-plate (11). Belt life will be greatly increased by keeping the tracking adjustment set properly .

7. DUST BAG (SEE FIG G)

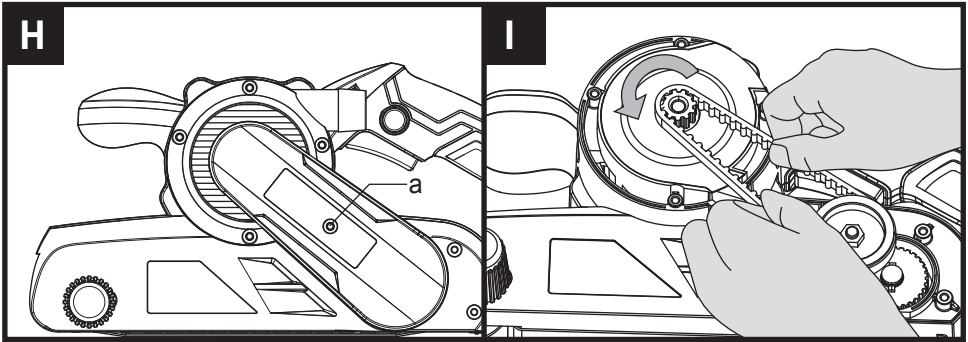
You must use the dust collection bag provided to collect the dust produced during sanding. The dust collection bag plastic bracket slides down onto the dust outlet on the belt sander. When the dust collection bag is full, remove and empty by opening the zip on the dust bag (12).



Operating Instructions

8. DRIVE BELT REPLACEMENT (SEE FIG H, I)

WARNING! Remove the main plug from the socket before carrying out a drive belt replacement. Remove the screw (a) and the belt cover as shown. Carefully cut the drive belt if not already broken and remove from your belt sander. Fit your new drive belt around the large pulley. Then install onto the small pulley by rotating clockwise and pushing the drive belt shown around the small pulley at the same time. The drive belt will be a tight fit. Fit the belt cover and three screws.



Working Hints For Your Belt Sander

If your power tool becomes too hot, especially when used at low speed, set the speed to maximum and run with no load for 2-3 minutes to cool the motor. Avoid prolonged usage at very low speed. Always use a sanding belt suited to the material you wish to sand. Always ensure the work-piece is firmly held or clamped to prevent movement. Support large panels close to the sanding area. Any movement of the material may affect the quality of the sanding finish. Start your sander before sanding and turn off only after stopping sanding. For best results sand wood in the direction of the grain. Do not start sanding without the sanding belt fitted. Empty the dust bag every 5 minutes or sooner to ensure efficient dust collection.

Maintenance

Remove the plug from the socket before carrying out any adjustment, servicing or maintenance.

Your power tool requires no additional lubrication or maintenance. There are no user serviceable parts in your power tool. Never use water or chemical cleaners to clean your power tool. Wipe clean with a dry cloth. Always store your power tool in a dry place. Keep the motor ventilation slots clean. Keep all working controls free of dust. Occasionally you may see sparks through the ventilation slots. This is normal. If the supply cord is damaged, it must be replaced by the manufacturer, its service agent or similarly qualified persons in order to avoid a hazard.

Technical Data

Technical Data Table

Voltage	230-240V~50Hz
Power input	850W
No load speed	120 - 380m/min
Belt size	76*533mm
Sanding size	76*140mm
Protection class	□/II
Machine weight	3.51kg


Noise Information

A weighted sound pressure

A weighted sound power

Wear ear protection

L_{pA} : 92,1dB(A)
 L_{wA} : 103,1dB(A)
 K_{pA} & K_{wA} = 3.0dB(A)



Vibration Information

Vibration total values (triax vector sum) determined according to EN 60745:

Vibration emission value $a_h = 5,34m/s^2$

Uncertainty $K = 1.5m/s^2$

Technical Data

Vibration Information

The declared vibration total value may be used for comparing one tool with another, and may also be used in a preliminary assessment of exposure.



WARNING: The vibration emission value during actual use of the power tool can differ from the declared value depending on the ways in which the tool is used dependant on the following examples and other variations on how the tool is used:
How the tool is used and the materials being cut or drilled.

The tool being in good condition and well maintained

The use the correct accessory for the tool and ensuring it is sharp and in good condition.

The tightness of the grip on the handles and if any anti vibration accessories are used. And the tool is being used as intended by its design and these instructions.

This tool may cause hand-arm vibration syndrome if its use is not adequately managed.



WARNING: To be accurate, an estimation of exposure level in the actual conditions of use should also take account of all parts of the operating cycle such as the times when the tool is switched off and when it is running idle but not actually doing the job. This may significantly reduce the exposure level over the total working period.

Helping to minimise your vibration exposure risk.

ALWAYS use sharp chisels, drills and blades

Maintain this tool in accordance with these instructions and keep well lubricated (where appropriate)

If the tool is to be used regularly then invest in anti vibration accessories.

Avoid using tools in temperatures of 10°C or less

Plan your work schedule to spread any high vibration tool use across a number of days.

Environmental Protection



Waste electrical products must not be disposed of with household waste. Please recycle where facilities exist. Check with your local authorities or retailer for recycling advice.

Guarantee

This product is selected for DOMESTIC USE ONLY and not for business use. This product is guaranteed against manufacturing defects for a period of 24 months. This does not cover the product where the fault is due to misuse, abuse, use in contravention of the instructions, or where the product has been the subject of unauthorised modifications or alterations, or has been the subject of commercial use. In the event of a problem with the product within the guarantee period please return it to your nearest store. If the item is shown to have an inherent defect present at the time of sale, the store will provide you with a replacement. Your statutory rights remain unaffected.

Issue1 08/2015

Declaration of Conformity

This Guild 850W Belt Sander model number PBS850G fully complies with the Machinery Directive 2006/42/EC, Electromagnetic Compatibility Directive 2004/108/EC(before 2016/04/20) and 2014/30/EC(since 2016/04/20), RoHS Directive 2011/65/EU and the following harmonized EU standards

EN 60745-2-4: 2009 + A11: 2011

EN 60745-1: 2009 + A11: 2010

EN 55014-1: 2006 + A1:2009 + A2:2011

EN 55014-2: 1997 + A1:2001 + A2:2008

EN 61000-3-2: 2014

EN 61000-3-3: 2013

This declaration is made under the sole responsibility of Argos Ltd, 489/499 Avebury Boulevard, Milton Keynes, MK9 2NW

Category Technical Manager

Issued 20/10/2015

signed *Luke Wong*

Plug Replacement (Uk & Ireland Only)

If you need to replace the fitted plug then follow the instructions below.

IMPORTANT

The wires in the mains lead are colored in accordance with the following code:

Blue – Neutral

Brown – Live

As the colors of the wires in the mains lead of this appliance may not correspond with the coloured markings identifying the terminals in your plug, proceed as follows. The wire which is coloured blue must be connected to the terminal which is marked with N. The wire which is coloured brown must be connected to the terminal which is marked with L.



WARNING:

Never connect live or neutral wires to the earth terminal of the plug. Only fit an approved BS1363/A plug and the correct rated fuse.

Note: If a moulded plug is fitted and has to be removed take great care in disposing of the plug and severed cable, it must be destroyed to prevent engaging into a socket.

