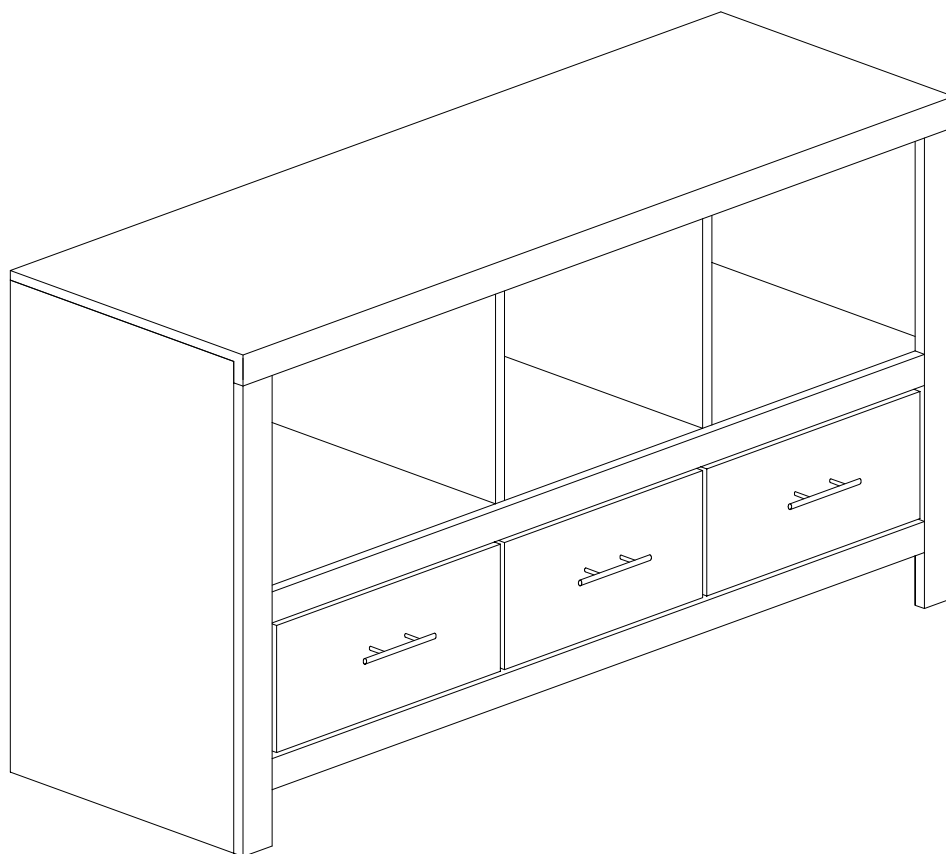


HYGENA TUNBRIDGE SIDEBOARD WITH 3 DRAWERS

Assembly Instruction - Please keep for future reference

455/5410

hygena



Dimensions

Width: 120cm
Depth: 40.4cm
Height: 79cm

Important – Please read these instructions fully before starting assembly

If you need help or have damaged or missing parts, call the Customer Helpline:
Argos = 0345 6400800



Safety and Care Advice

Important - Please read these instructions fully before starting assembly

- Check you have all the components and tools listed on page.
- Remove all fittings from the plastic bags and separate them into their groups.
- Keep children and animals away from the work area, small parts could choke if swallowed.
- Make sure you have enough space to lay out the parts before starting.

- During assembly do not stand or put weight on the product, this could cause damage.
- Assemble the item as close to its final position (in the same room) as possible.
- Assemble on a soft, level surface to avoid damaging the unit or your floor.
- Parts of the assembly will be easier with 2 people.



- To reduce the likelihood of damaging your product please ensure that your power drill is set on a low torque setting.

Glue safety - Take care when using glue, please follow the advice below

Skin Contact : Remove contamination by washing with soap and water. This procedure should also be followed prior to eating and drinking.

Eye Contact : Rinse immediately with clean water 15 minutes and seek medical advice.

If swallow : Seek medical advice immediately.

Care and maintenance

• Only clean using a damp cloth and mild detergent, do not use bleach or abrasive cleaners.

• From time to time check that there are no loose screws on this unit.

• This product should not be discarded with household waste. Take to your local authority waste disposal centre.

Handy Hints

• Assemble all parts and bolts loosely during assembly, only once the product complete should you fully tighten the bolts.

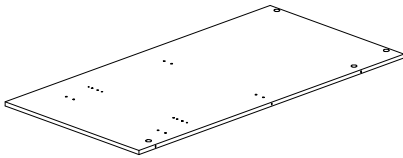
• Regularly check and ensure that all bolts and fittings are tightend properly.

Note : if required the next page can be cut out and used as reference throughout the assembly. Keep this page with these instructions for future reference.

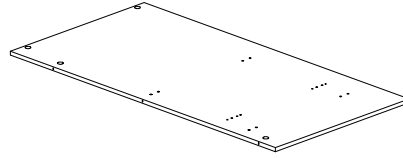
Components - Panels

If you need help or have damaged or missing parts, call the Customer Helpline:
Argos = 0345 6400800

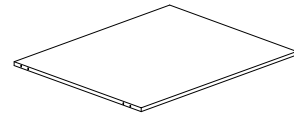
Please check you have all the panels listed below



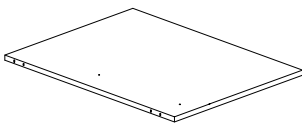
A RIGHT SIDE PANEL (x1)
(77.2(w)cm x 38.9(d) cm)



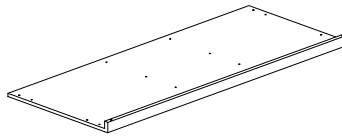
B LEFT SIDE PANEL (x1)
(77.2(w)cm x 38.9(d) cm)



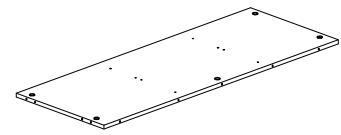
C CENTRE PANEL TOP (x2)
(37.2(w)cm x 38.9(d) cm)



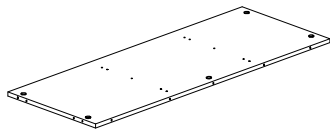
D CENTRE PANEL BOTTOM (x2)
(24.4(w)cm x 38.9(d) cm)



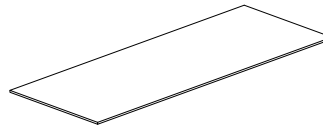
E TOP PANEL (x1)
(120(w)cm x 40.4(d) cm)



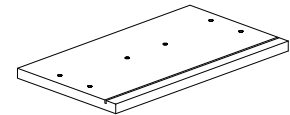
F BOTTOM PANEL (x1)
(116.9(w)cm x 38.9(d) cm)



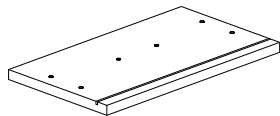
G MIDDLE PANEL (x1)
(116.9(w)cm x 38.9(d) cm)



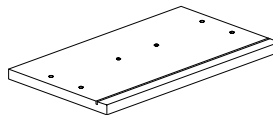
H BACK PANEL (x2)
(119.5(w)cm x 33.4(d) cm)



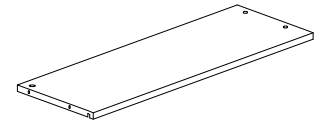
I DRAWER FRONT RIGHT (x1)
(36.3(w)cm x 20.6(d) cm)



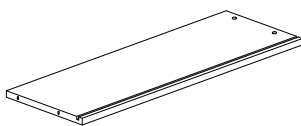
J DRAWER FRONT LEFT (x1)
(36.3(w)cm x 20.6(d) cm)



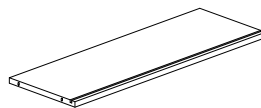
K DRAWER FRONT CENTRE (x1)
(36.3(w)cm x 20.6(d) cm)



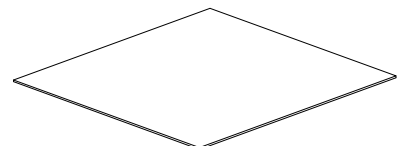
L DRAWER RIGHT PANEL (x3)
(32(w)cm x 11.8(d) cm)



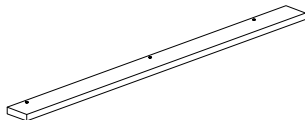
M DRAWER LEFT PANEL (x3)
(32(w)cm x 11.8(d) cm)



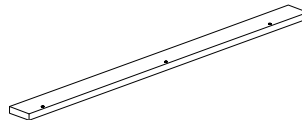
N DRAWER BACK PANEL (x3)
(30.3(w)cm x 11.8(d) cm)



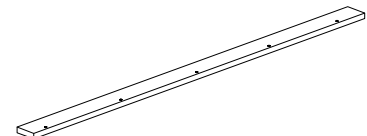
O DRAWER BASE (x3)
(31.1(w)cm x 31.9(d) cm)



P RIGHT SIDE PROFILE (x1)
(74.2(w)cm x 4.8(d) cm)



Q LEFT SIDE PROFILE (x1)
(74.2(w)cm x 4.8(d) cm)



R CENTRE PROFILE (x2)
(110.4(w)cm x 4.8(d) cm)


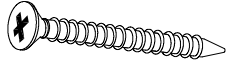

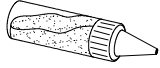

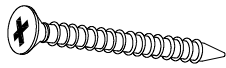
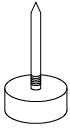
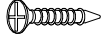

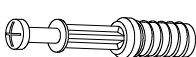

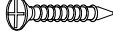
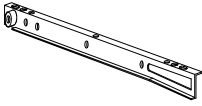
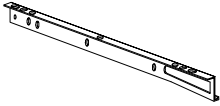
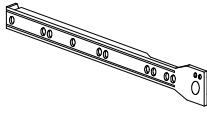
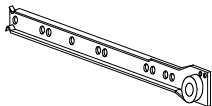
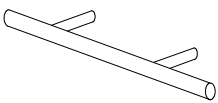
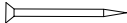
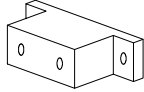
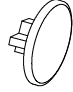


R LEG (x2)
(12(w)cm x 5(d) cm)

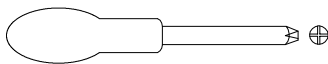
Components - Fittings

Please check you have all the fittings listed below

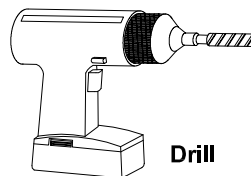
Note : The quantities below are the correct amount to complete the assembly. In some cases more fittings may be supplied than are required.

 <p>1 Screw M3.5 x 16mm x 8</p>	 <p>2 Screw M8 x 38mm x 8</p>	 <p>3 Dia.6 x 30mm - Dowel x 50</p>	 <p>4 Glue 10cc x 2</p>
 <p>5 Dia.15mm - Camlock x 18</p>	 <p>6 Screw M5 x 40mm x 4</p>	 <p>7 Leg Stud x 6</p>	 <p>8 Screw M3.5 x 12mm x 24</p>
 <p>9 Dia.15mm - Camlock x 6</p>	 <p>10 32mm - Quikfit x 24</p>	 <p>11 Screw M4 x 19mm x 6</p>	 <p>12 Screw M3.5 x 25mm x 12</p>
 <p>13 Drawer Runner Right (300mm) x 3</p>	 <p>14 Drawer Runner Left (300mm) x 3</p>	 <p>15 Drawer Runner Left - Track (300mm) x 3</p>	 <p>16 Drawer Runner Right - Track (300mm) x 3</p>
 <p>17 Handle x 3</p>	 <p>18 Metal Nails x36</p>	 <p>19 Drawer Support x4</p>	 <p>20 Camlock cover x 6</p>

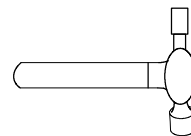
Tools required



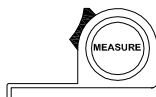
Philips screwdriver (medium & large)



Drill



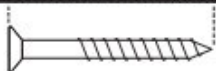
Small hammer



Ruler / tape measure

Ruler - Use this ruler to help correctly identify the screws

0 5 10 15 20 25 30 35 40 45 50 55 60 65 70 75 80 85 90 95 100 105 110 115 120 125 130 135 140 145 150 155 160 165 170

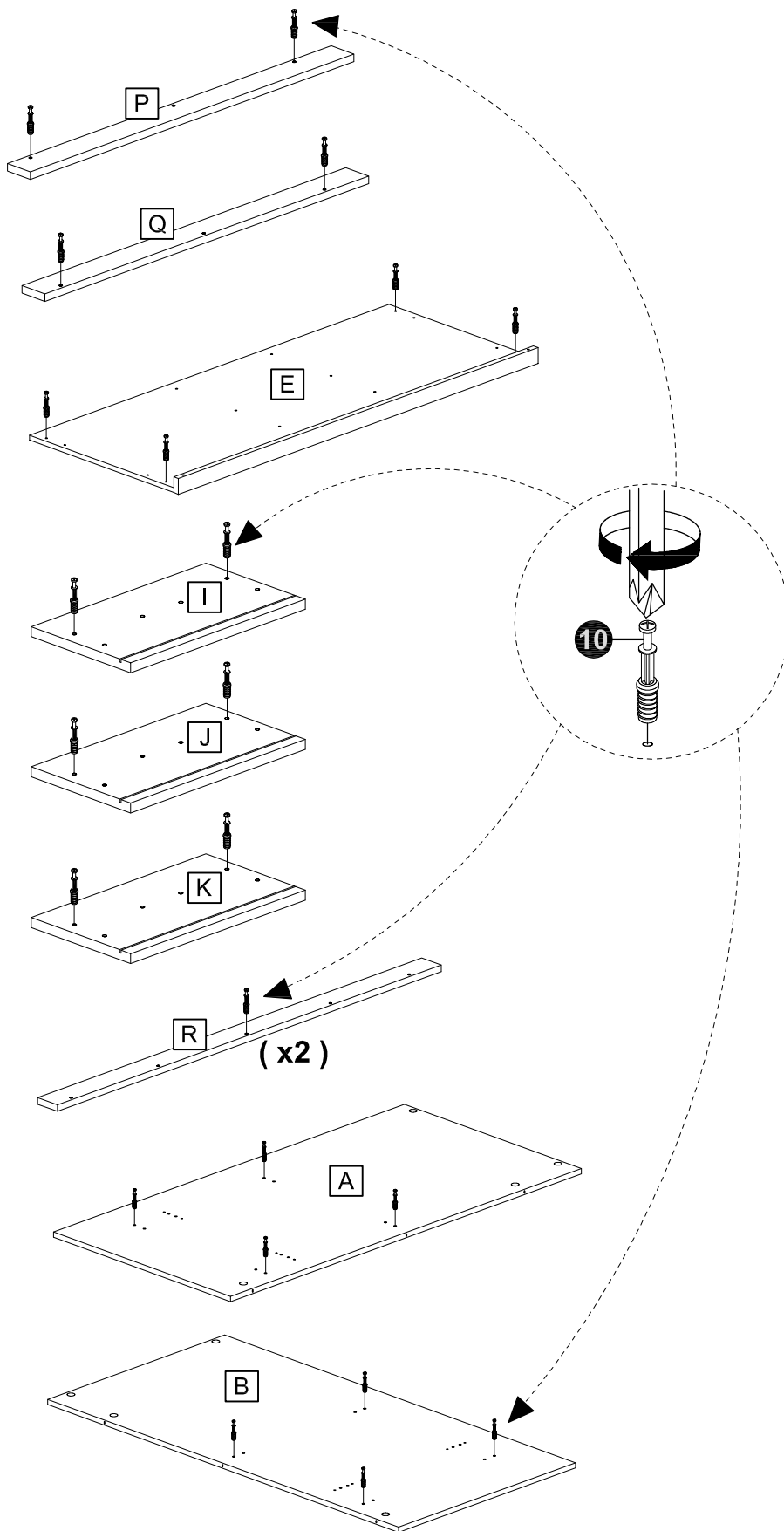


The screws length is measured from the head to the point (30mm screw shown).

Assembly Instructions

Step 1

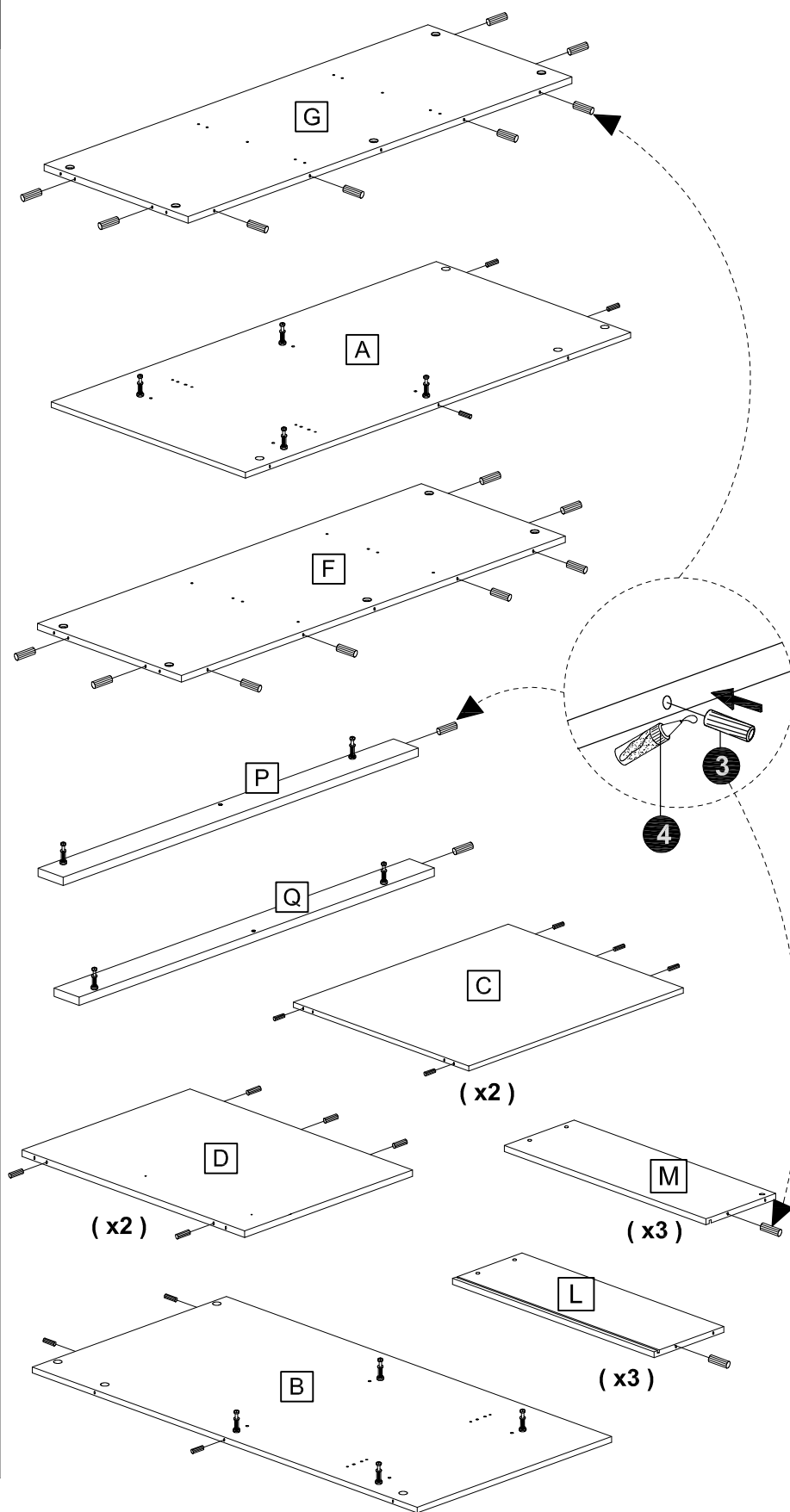
Screws 24 x quickfit **10** into panel **P** x 1, **Q** x 1, **E** x 1, **I** x 1, **J** x 1, **K** x 1, **R** x 2, **A** x 1, **B** x 1 as shown. Tighten until shoulder is flush with panel.



Assembly Instructions

Step 2

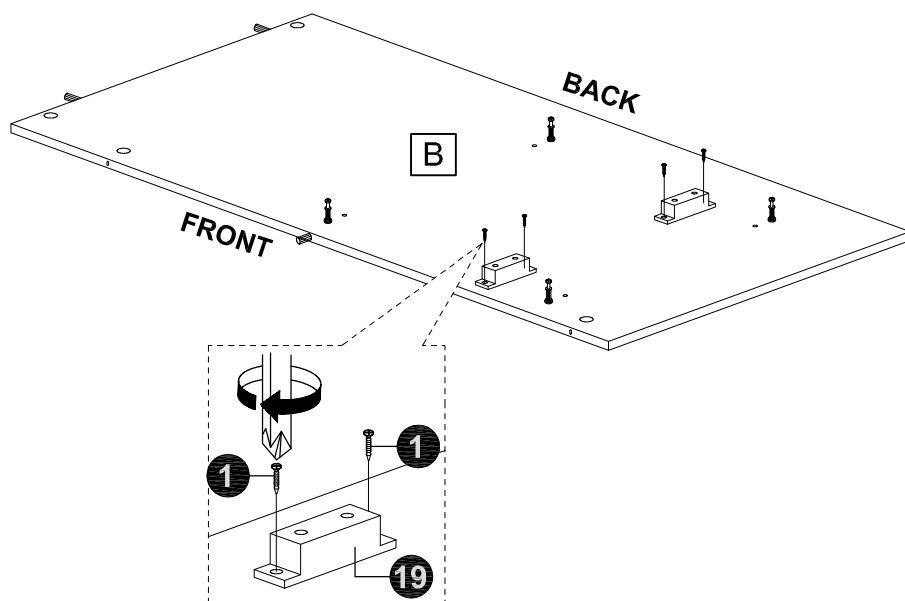
Apply a small amount of glue **4** at the end of the dowel before inserting 50 x Dowel **3** into panel **G** x 1, **A** x 1, **F** x 1, **P** x 1, **Q** x 1, **C** x 2, **D** x 2, **M** x 3, **L** x 3, **B** x 1 as shown.



Assembly Instructions

Step 3

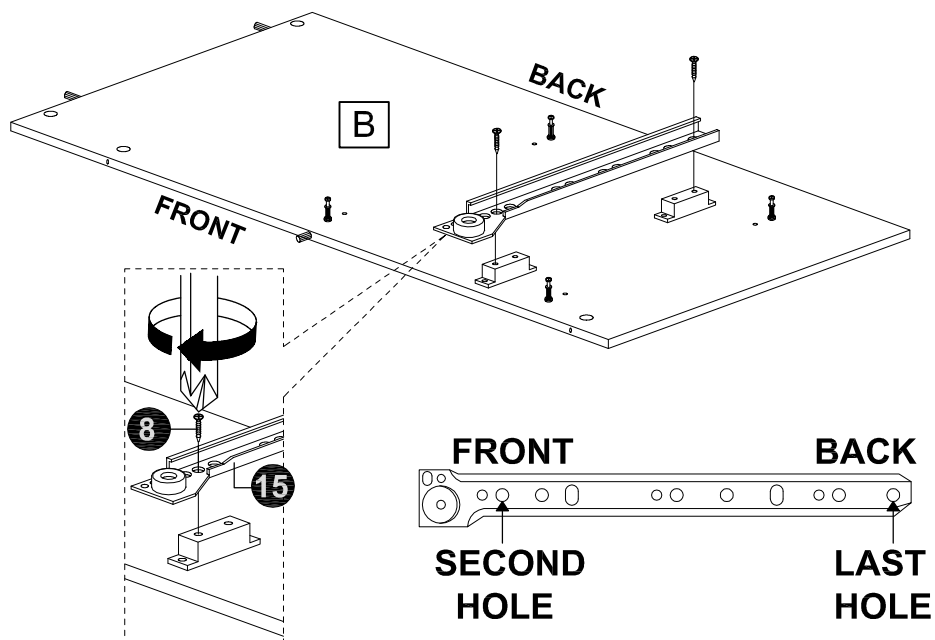
Install Drawer Support **19** x 2 using screw M3.5 x 16mm **1** x 4 to panel **B**.



Step 4

Install Drawer Slide Left -Track **15** x 1 using screw M3.5 x 12mm **8** x 2 to panel **B**.

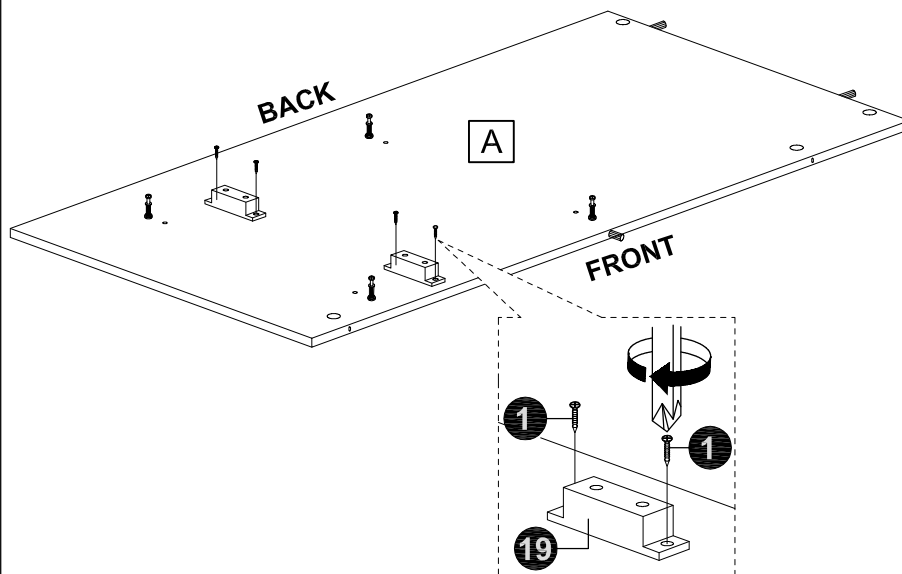
Please fix at second hole and last holes.



Assembly Instructions

Step 5

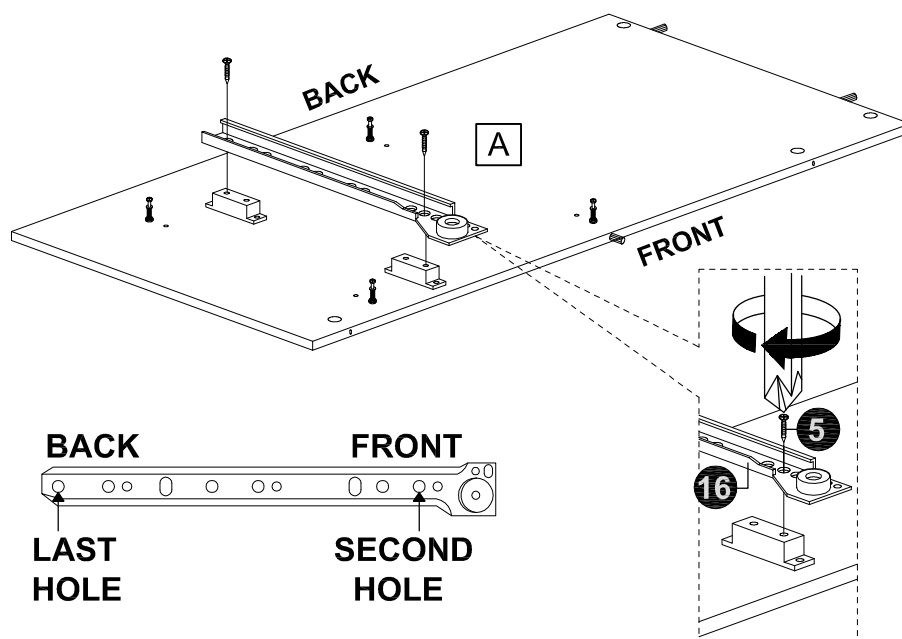
Install Drawer Support **19** x 2 using screw M3.5 x 16mm **1** x 4 to panel **A**.



Step 6

Install Drawer Slide Right -Track **16** x 1 using screw M3.5 x 12mm **8** x 2 to panel **B**.

Please fix at second hole and last holes.



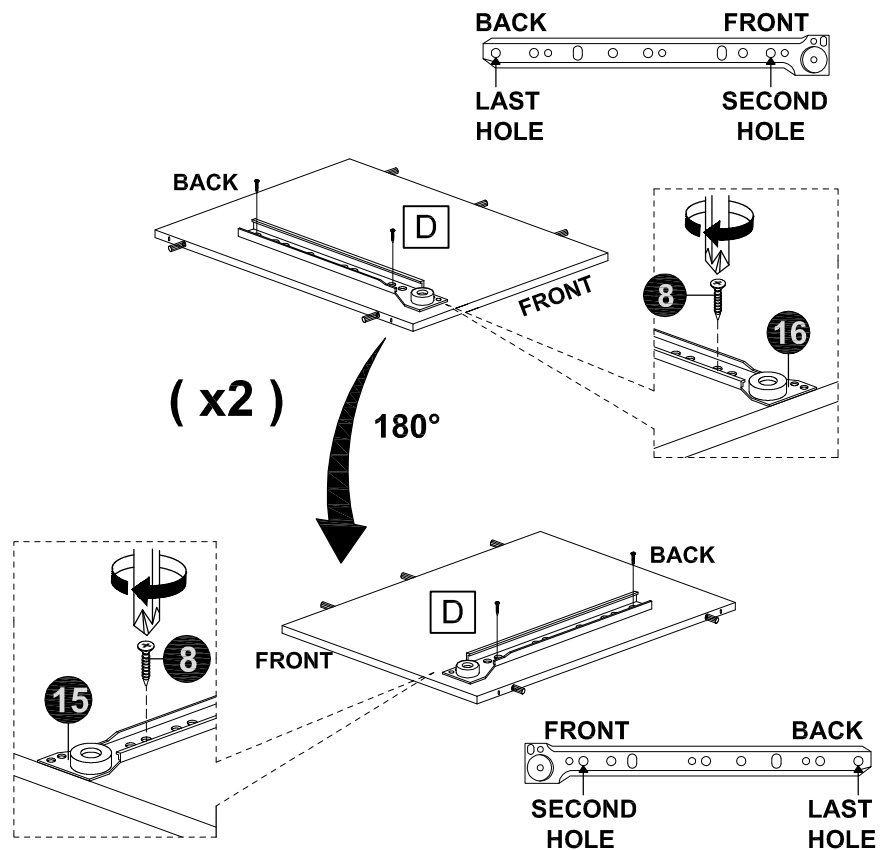
Assembly Instructions

Step 7

Install Drawer Slide Right -Track **16** x 2 using screw M3.5 x12mm **8** x 4 to panel **D**.

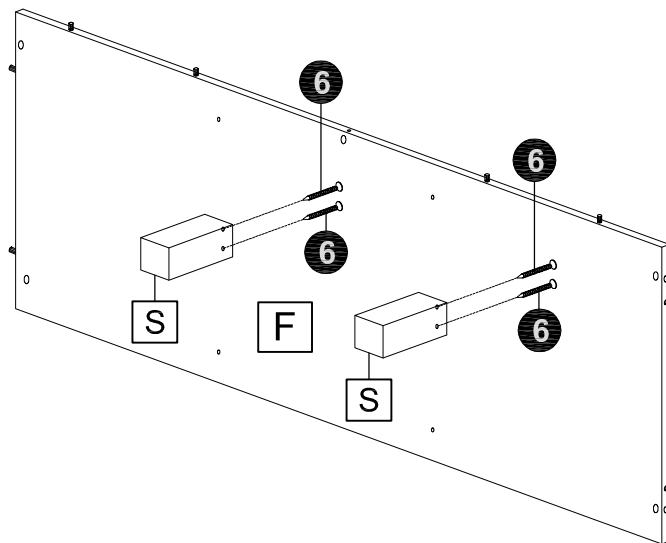
After that, please turn to other side to install Drawer Slide Left -Track **15** x 2 using screw M3.5 x12mm **8** x 4 to the panel.

Please fix at second hole and last holes.



Step 8

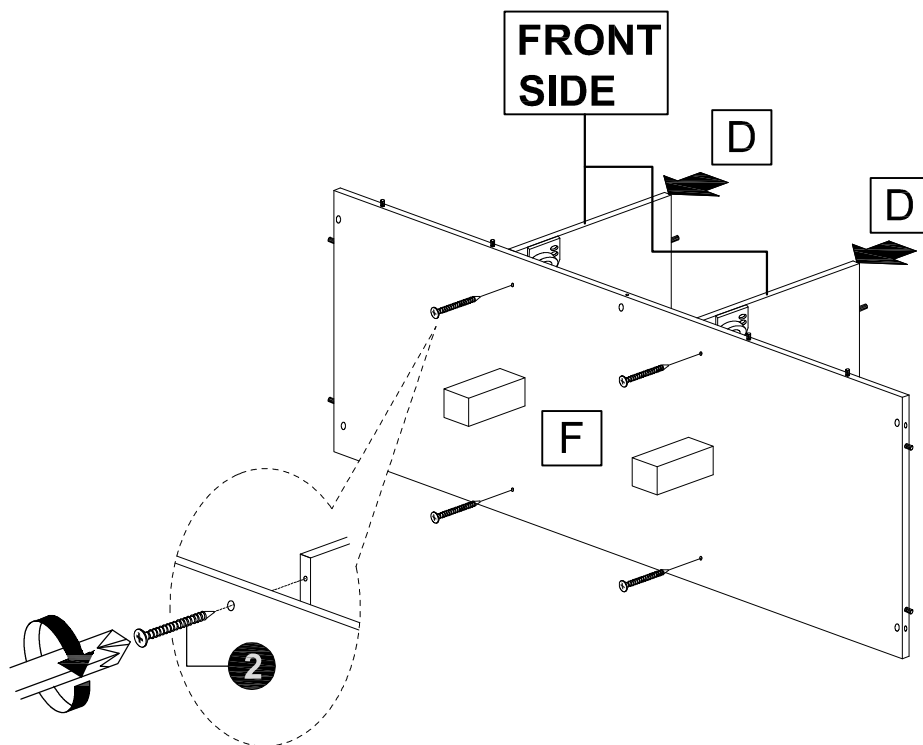
Install Leg **S** x 2 to panel **F** x 1 using screw M5 x 40mm **6** x 4 using philips screw driver as shown.



Assembly Instructions

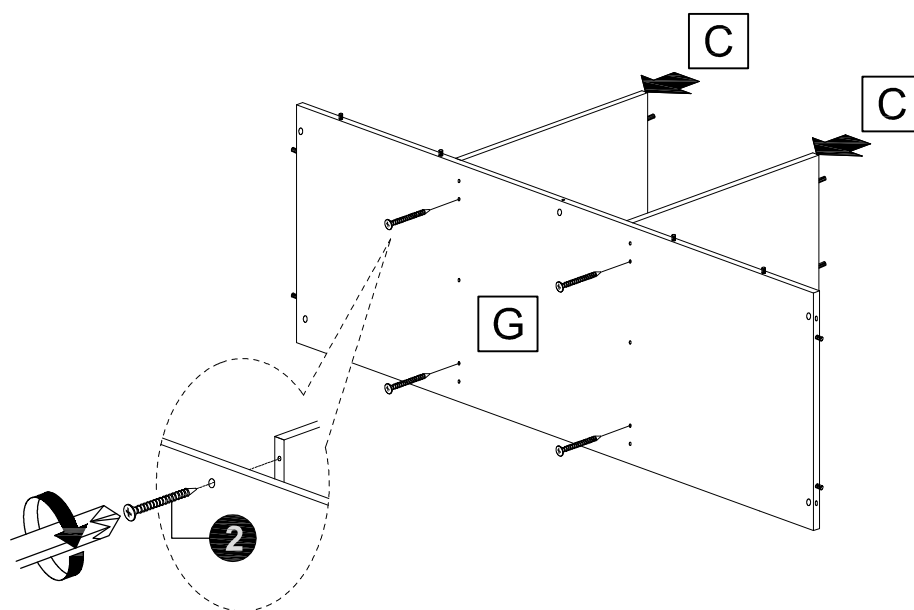
Step 9

Connect panel **D** x 2 to panel **F** x 1 using 4 x screw M8x38mm **2** as shown.



Step 10

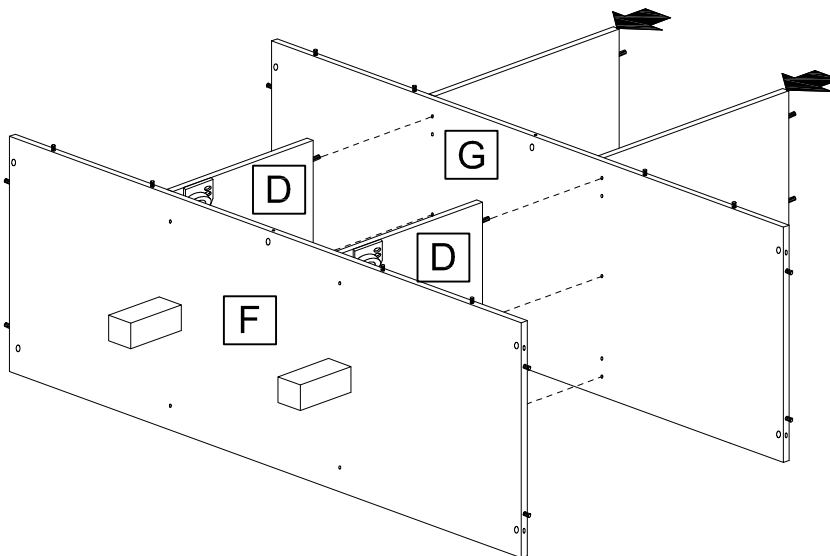
Connect panel **C** x 2 to panel **G** x 1 using 4 x screw M8x38mm **2** as shown.



Assembly Instructions

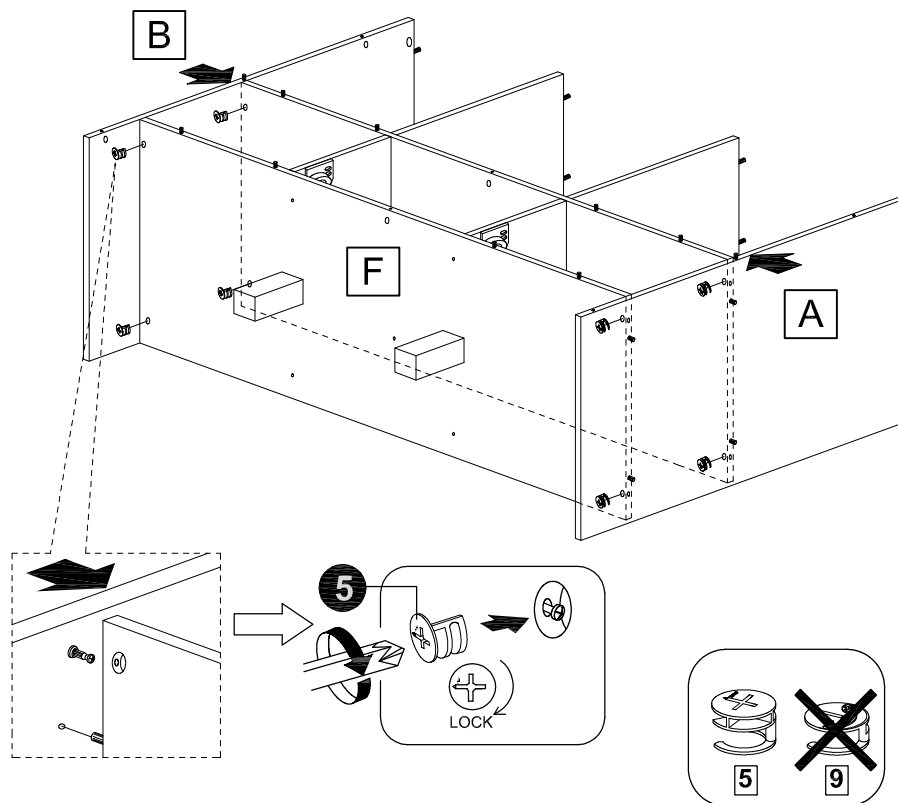
Step 11

Connect panel **D** x 2 to panel **G** x 1 as shown.



Step 12

Locate panel **A** x 1 and panel **B** x 1 to panel **F** & panel **G**. Connect 8 x quickfit **10** with 8 x camlock **5** using philips screw driver as shown.



10

Assembly Instructions

Step 13

Connect panel **Q** x 1 to panel **B** x 1.

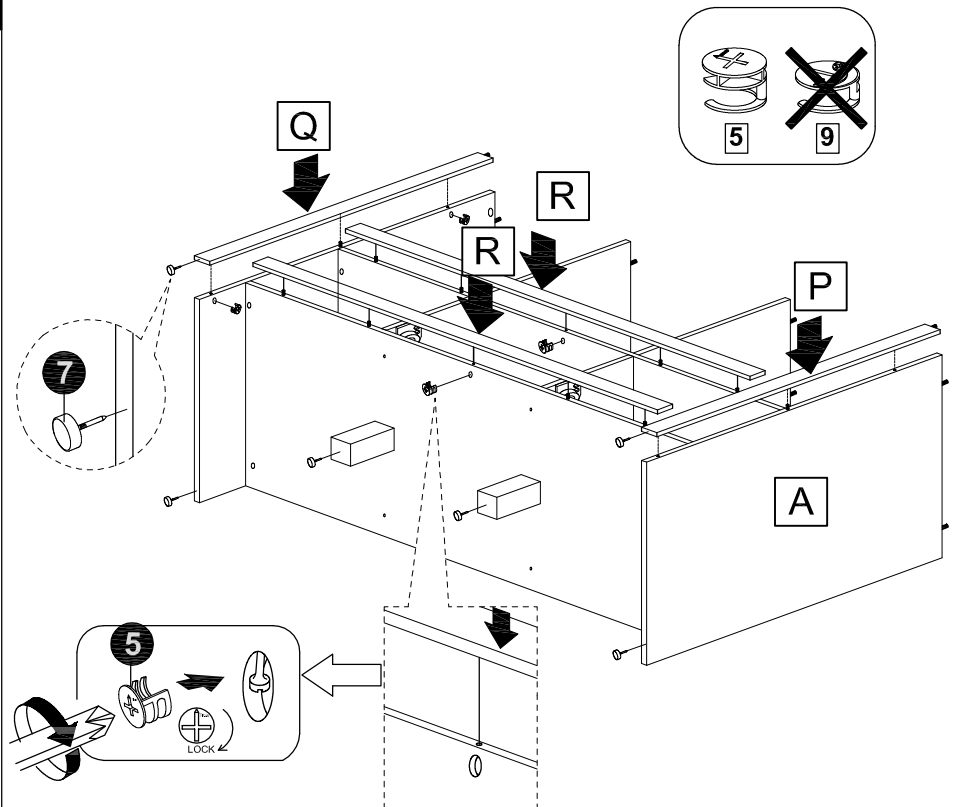
Connect panel **P** x 1 to panel **A** x 1.

Connect panel **R** x 1 to panel **G** x 1.

Connect panel **R** x 1 to panel **F** x 1.

After all are connect, please using 6 x quickfit **10** with 6 x camlock **5** to fix it using philips screw driver as shown.

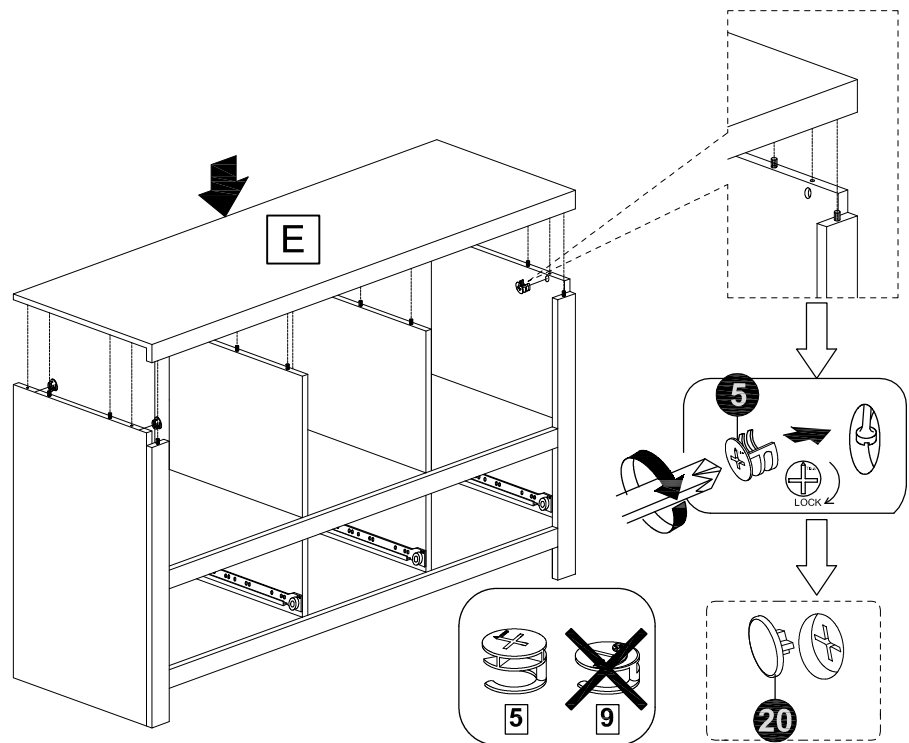
After all fixed, nail a Leg stud **7** x 6 as shown.



Step 14

Locate panel **E** x 1 and connect 4 x quickfit **10** with 4 x camlock **5** using philips screw driver as shown.

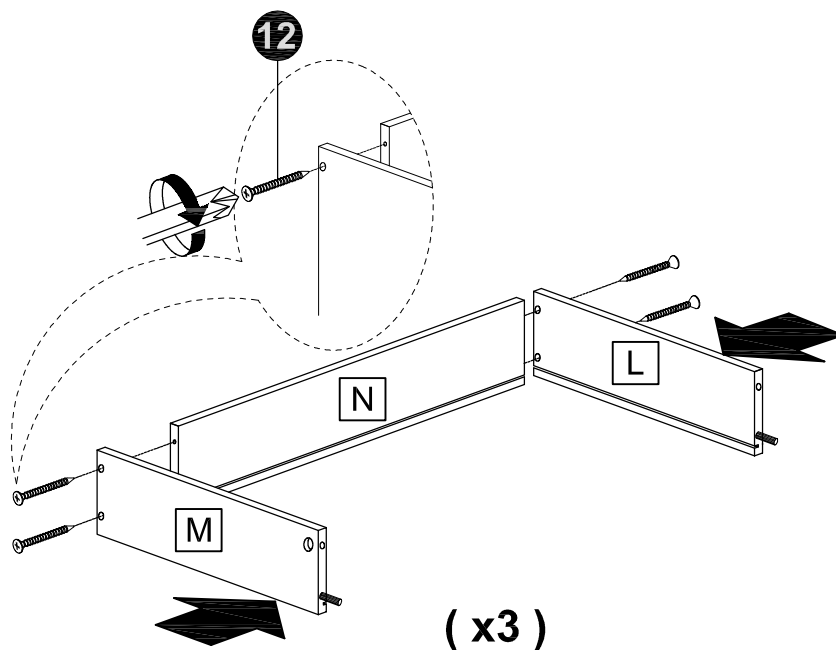
After all fixed, please attach a camlock cover **20** x 4 as shown.



Assembly Instructions

Step 15

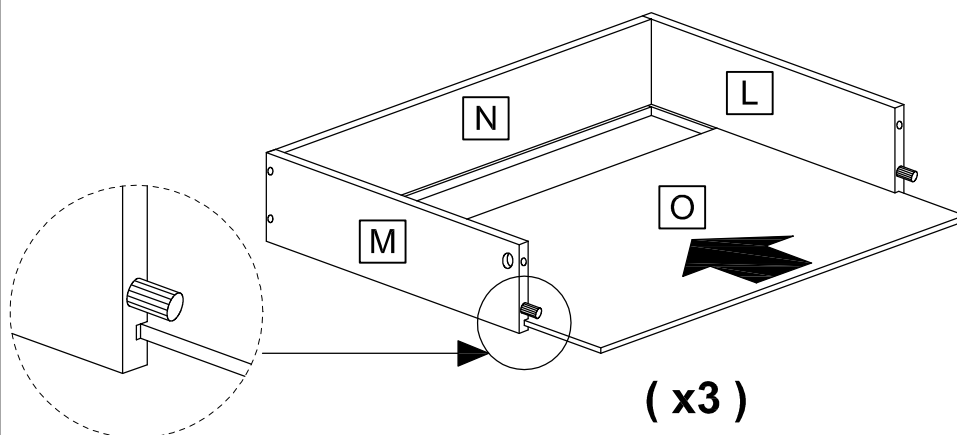
Connect panel **L** x 3 & **M** x 3 to panel **N** x 3 using screw **12** x 12.



Step 16

Slot in panel **O** between panel **L** & panel **M** until connect to panel **N**.

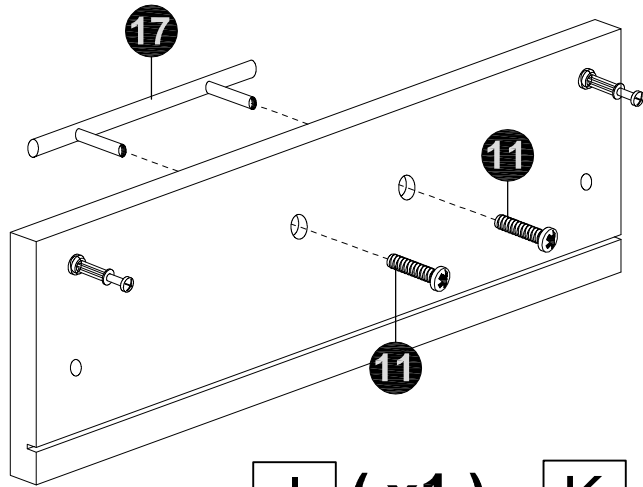
Make it 3 sets .



Assembly Instructions

Step 17

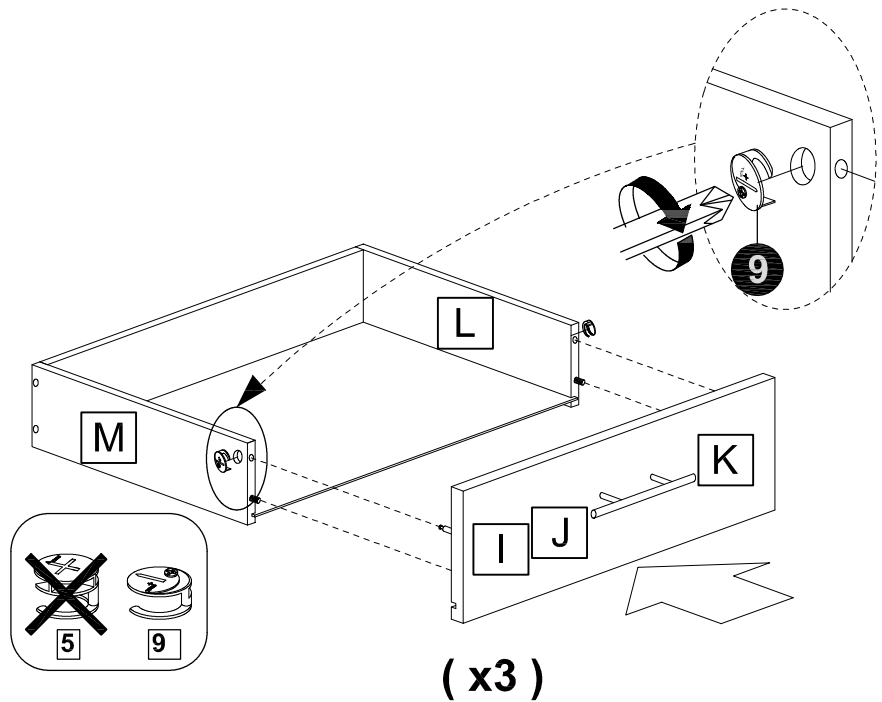
Fix a handle **17** x 3 using screw **M4 x 19mm 11** x 6 to panel **I**, **J** & **K**.



I (x1) K (x1)
J (x1)

Step 18

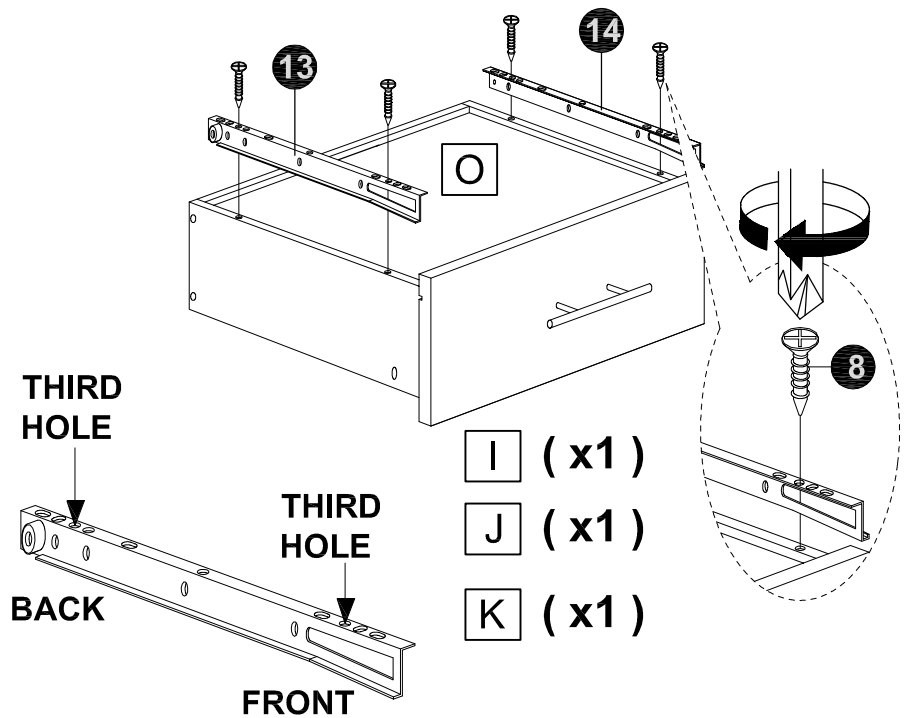
Locate panel **I** x 1, **J** x 1, **K** x 1 to panel **L** x 3 & panel **M** x 3. Connect 6 x quickfit **10** with 6 x camlock **9** using philips screw driver as shown.



Assembly Instructions

Step 19

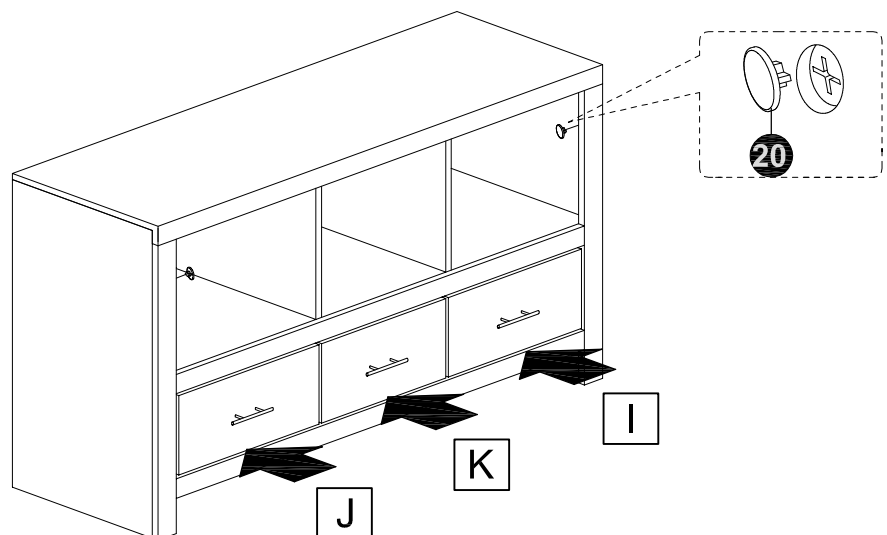
Turn a drawer sets to install drawer runner left **13** x 3 & drawer runner right **14** x 3 using screw M3.5 x 12mm **8** x 12. Please fix at third hole and last third hole screw to fix it.



Step 20

Locate drawer sets panel **I** x 1, **J** x 1 & **K** x 1 as shown.

After complete, please attach camlock cover **20** x 2 as shown.

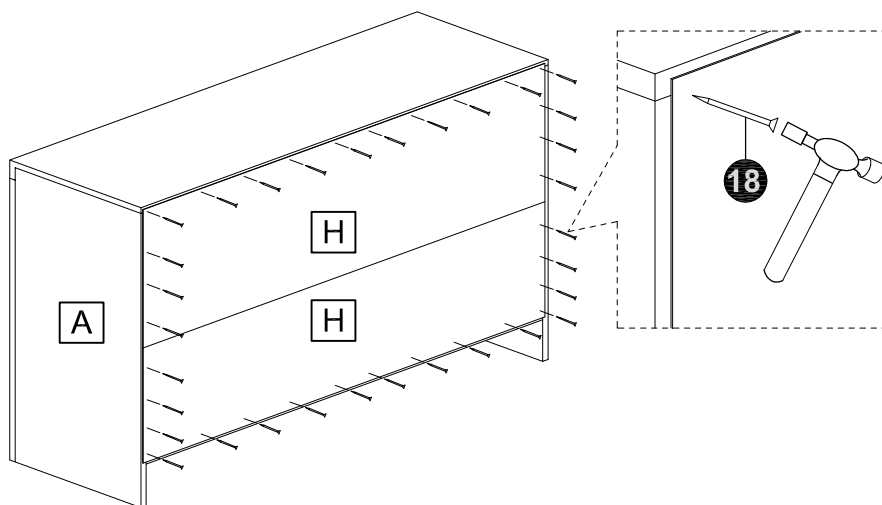


Assembly Instructions

Step 21

Locate panel **H** and nailing a metal nails **18** x 36 using a hammer.

Please ensure that each of four corners of cabinet are square .



Step 22

Assembly is complete.

