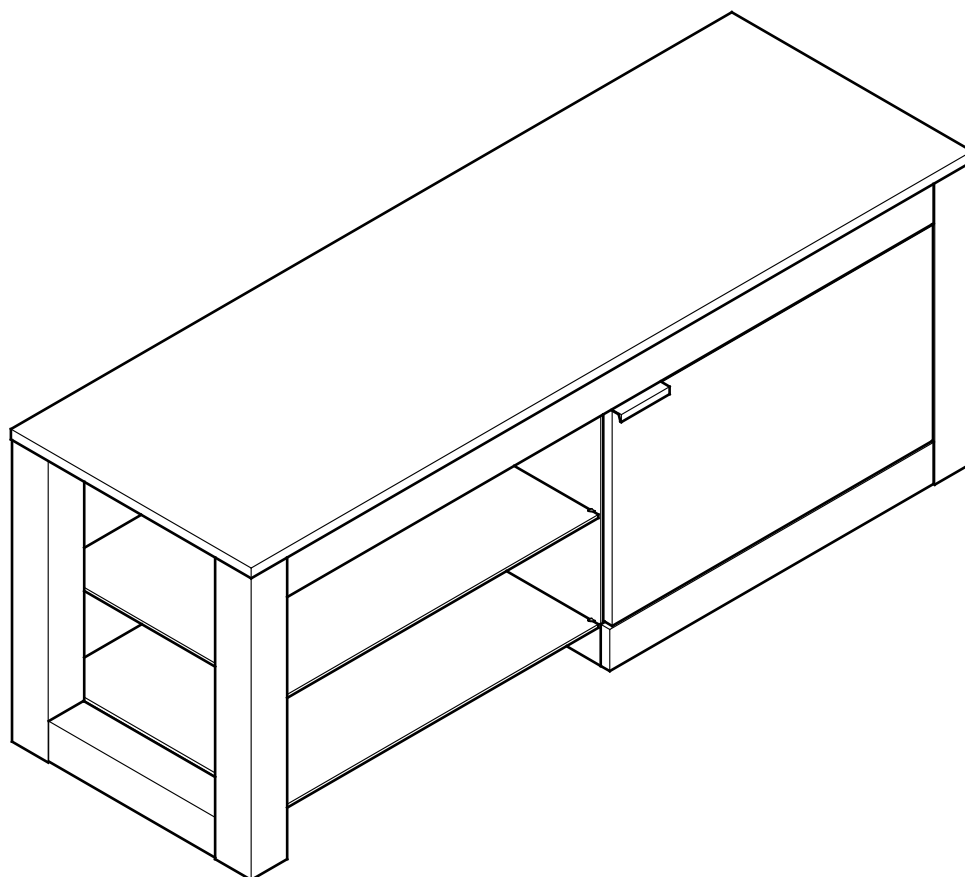


Hygena Cubic Wood Glass TV Unit

Assembly Instructions - Please keep for future reference

453/7414D



Dimensions

Width - 120cm

Depth - 40cm

Height - 45.3cm

Important – Please read these instructions fully before starting assembly

If you need help or have damaged or missing parts, call the Customer Helpline: 03456 400800



Safety and Care Advice

Important – Please read these instructions fully before starting assembly

- Check you have all the components and tools listed on pages 2 & 3.
- Remove all fittings from the plastic bags and separate them into their groups.
- Keep children and animals away from the work area, small parts could choke if swallowed.
- Make sure you have enough space to layout the parts before starting.

- Do not stand or put weight on the product, this could cause damage.
- Assemble the item as close to its final position (in the same room) as possible.
- Assemble on a soft level surface to avoid damaging the unit or your floor.
- Parts of the assembly will be easier with 2 people.



- We do not recommend the use of power drill/drivers for inserting screws, as this could damage the unit. Only use hand screwdrivers.
- Dispose of all packaging carefully and responsibly.

Glass safety – Take care when handling glass, please follow the advice below

- If a glass component is chipped or broken replace with glass of the type described on this instructions. Consult the manufacturer, retailer or agent with regard to obtaining a manufacturing specification and shape for replacement glass quoting the model number, and batch or date of manufacture.

- Do not place very hot or cold items against or in close proximity to the glass surfaces unless adequately thick insulating material is used to prevent such items coming into contact with the glass.
- Do not strike the glass with hard or pointed items.

- When cleaning glass panels or mirrors use a damp cloth or leather with washing up liquid or soft soap if necessary.
- Do not use washing powders or any other substances containing abrasives since these substances scratch glass.

Care and maintenance

- Only clean using a damp cloth and mild detergent, do no use bleach or abrasive cleaners.

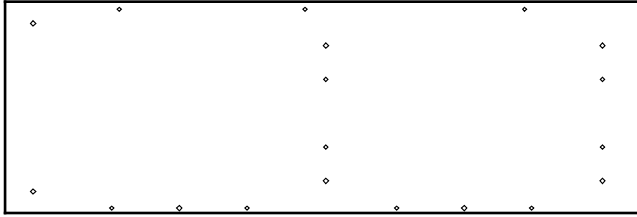
- From time to time check that there are no loose screws on this unit.

- This product should not be discarded with household waste. Take to your local authority waste disposal centre.

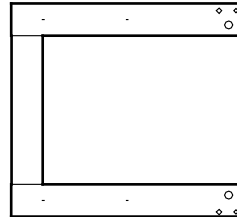
Note: if require the next page can be cut out and used as reference throughout the assembly. Keep this page with these instructions for future reference.

Components - Panels

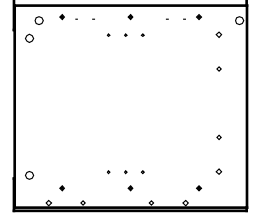
Please check you have all the panels listed below



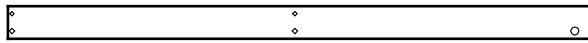
1 Top panel
(1200 x 400 mm)



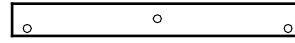
2 Left side frame
(398 x 435 mm)



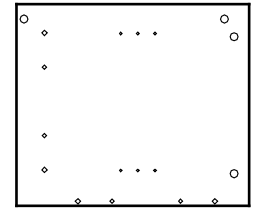
3 Right side panel
(398 x 435mm)



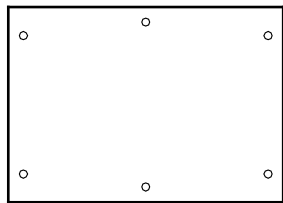
4 Front top rail
(1078 x 60mm)



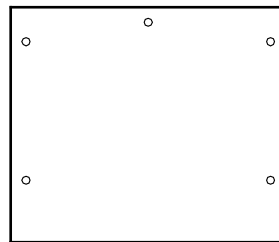
5 Rear rail
(539 x 60mm)



6 Divider
(380 x 435mm)



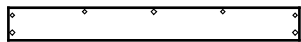
7 Bottom panel
(509 x 364mm)



8 Rear panel
(509 x 435mm)



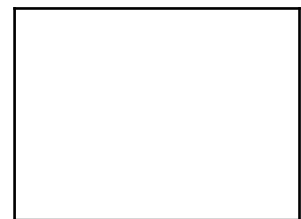
9 Adjustable shelf
(508 x 359mm)



10 Front bottom rail
(539 x 60mm)



11 Door
(534 x 310mm)



12 Glass shelf x 2
(533 x 380mm)




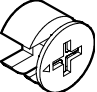

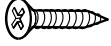
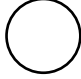
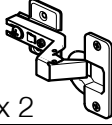
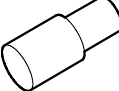
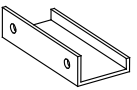
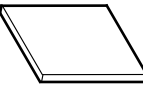
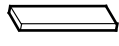


Components - Fittings

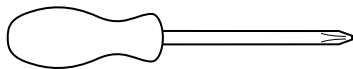
If you have damaged or missing components, call the **Customer Helpline: 03456 400800**

Please check you have all the fittings listed below

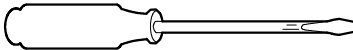
Note: The quantities below are the correct amount to complete the assembly. In some cases more fittings may be supplied than are required.

<p>A </p> <p>Wood dowel x 30</p>	<p>B </p> <p>12mm Screw x 10</p>	<p>C </p> <p>Metal dowel x 25</p>
<p>D </p> <p>Metal cam x 25</p>	<p>E </p> <p>Shelf holder x 8</p>	<p>F </p> <p>14 mm Screw x 8</p>
<p>G </p> <p>Cover pad x 25</p>	<p>H </p> <p>Hinge x 2</p>	<p>I </p> <p>Shelf pin x 4</p>
<p>J </p> <p>Handle</p>	<p>K </p> <p>Large foot pad x 4</p>	<p>L </p> <p>Small foot pad x 2</p>

Tools required

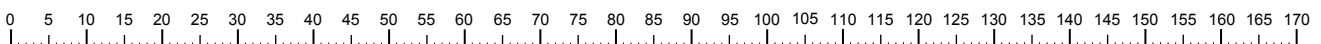


Phillips screwdriver
(medium & small)



Flatblade screwdriver

Ruler - Use this ruler to help correctly identify the screws

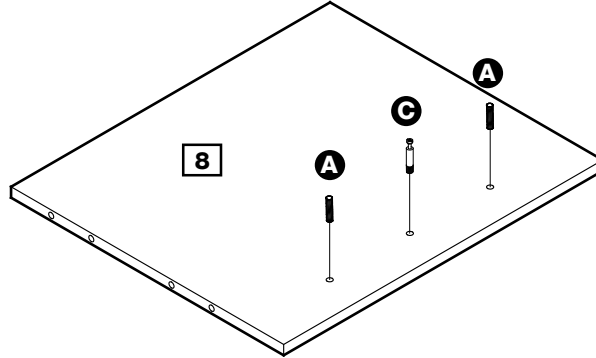


Assembly Instructions

Step 1

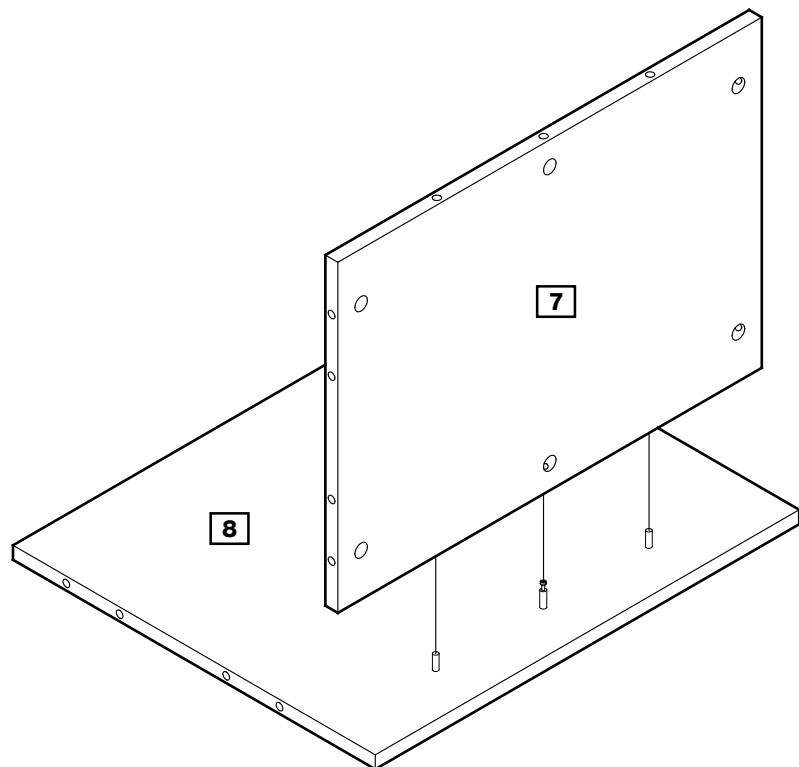
Screw 1 Metal dowel **C** into the threaded hole in the Rear panel **8** as shown.

Insert Wood dowels **A** into the indicated holes.



Step 2

Firmly push Bottom panel **7** onto the dowels, ensuring the Metal dowels **C** and wood dowels **A** enter corresponding holes.



Assembly Instructions

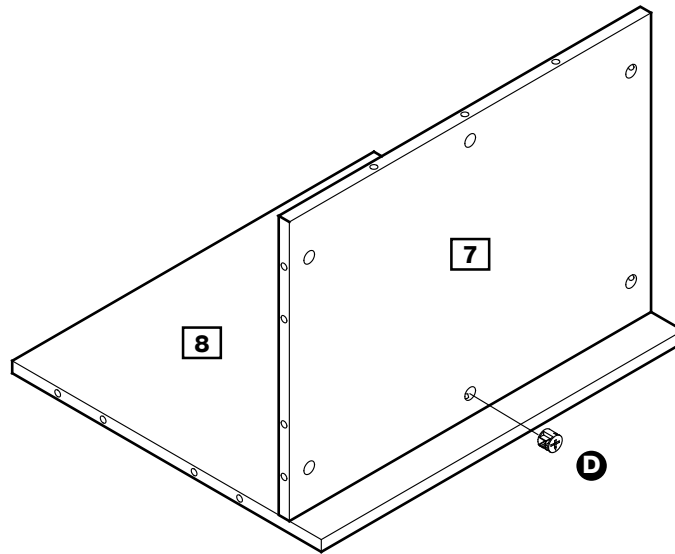
Step 3

Insert the 1 Metal cam **D** into the hole on the Bottom panel **7** so that they are flush.

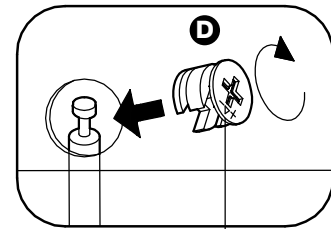


Note: Longer leg of the cross on the Metal Cam must faces towards metal dowel (as shown).

Then, using a Philips Screwdriver, screw the Metal cam **D** clockwise until it is 'hand tight'.



Note: Longer leg of the cross on the Metal Cam must faces towards metal dowel.

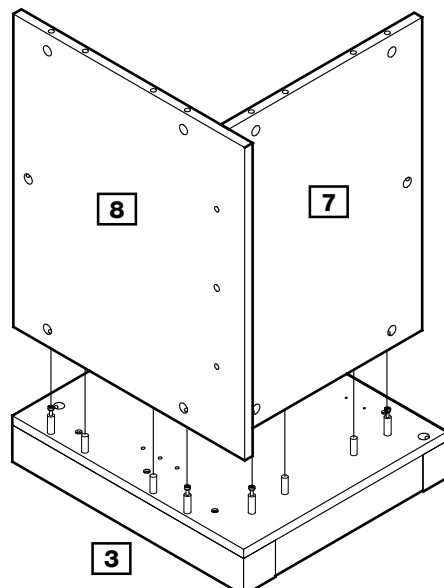
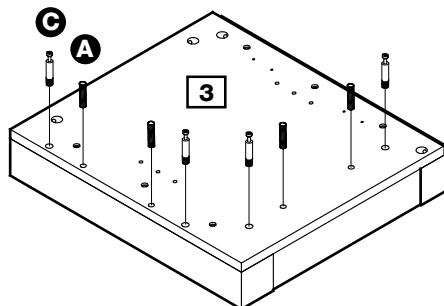


Step 4

Screw 4 Metal dowels **C** into the threaded holes in the Right side panel **3** as shown.

Insert Wood dowels **A** into the indicated holes.

Firmly push the Rear and Bottom panel piece from Step 3 onto the dowels, ensuring the Metal dowels **C** and wood dowels **A** enter corresponding holes.



Assembly Instructions

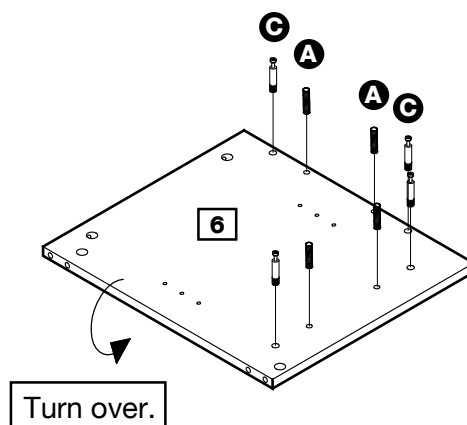
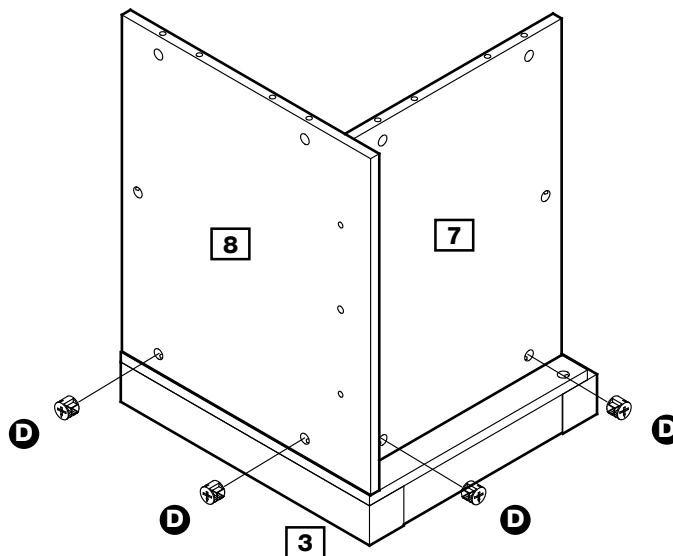
Step 5

Insert the 4 Metal cams **D** into the 4 holes on the panels **7** **8** so that they are flush.



Note: Longer leg of the cross on the Metal Cams must face towards end of panels.

Then, using a Philips Screwdriver, screw all Metal cams **D** clockwise until they are 'hand tight'.

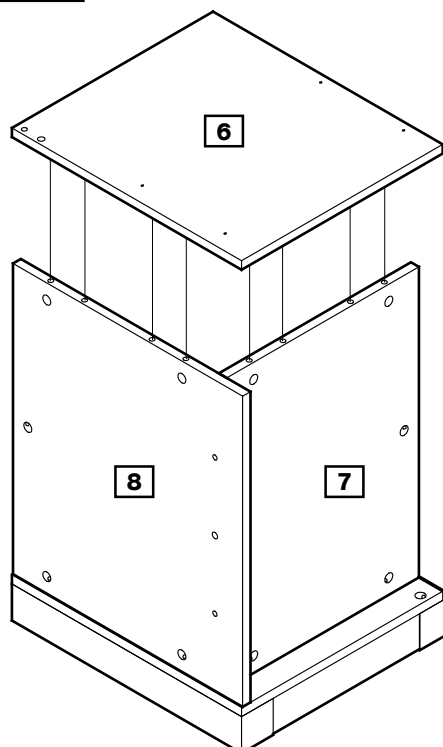


Step 6

Screw 4 Metal dowels **C** into the threaded holes in the Divider **6** as shown.

Insert Wood dowels **A** into the indicated holes.

Firmly push the Divider onto the edges of Rear and Bottom panels, ensuring the Metal dowels **C** and wood dowels **A** enter corresponding holes.



Assembly Instructions

Step 7

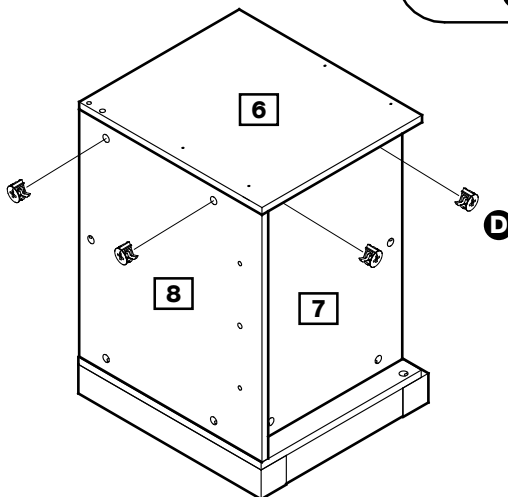
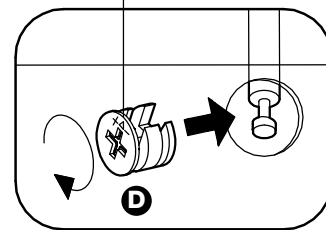
Insert the 4 Metal cams **D** into the 4 holes on the panels **7** **8** so that they are flush.



Note: Longer leg of the cross on the Metal Cams must face towards end of panels.

Then, using a Philips Screwdriver, screw all Metal cams **D** clockwise until they are 'hand tight'.

Note: Longer leg of the cross on the Metal Cams must face towards end of panel.

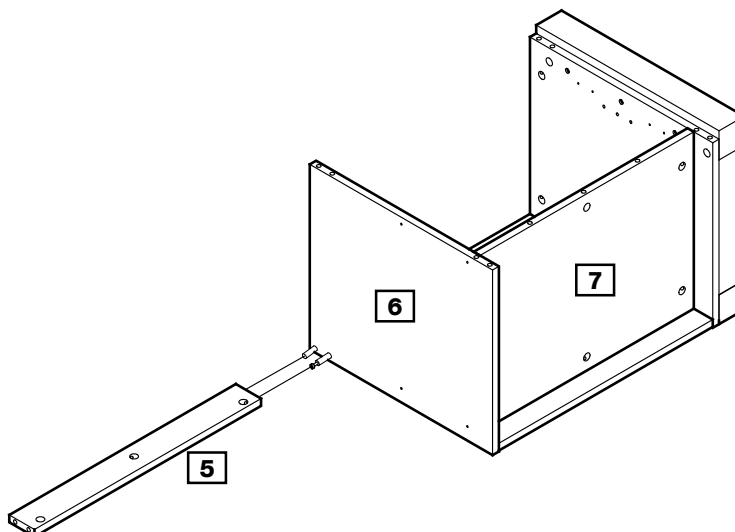
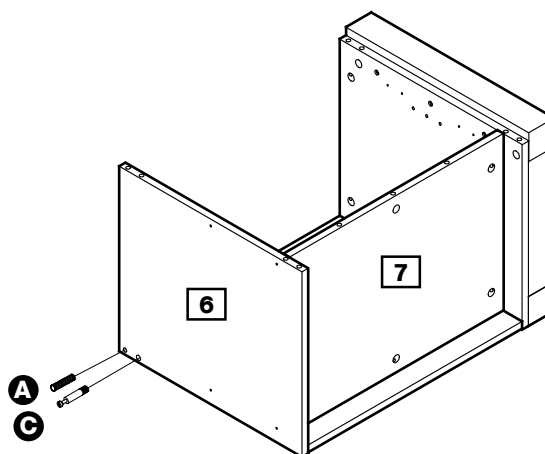


Step 8

Screw 1 Metal dowel **C** into the threaded hole in the Divider **6** as shown.

Insert Wood dowel **A** into the indicated hole.

Firmly push Rear rail **5** onto the dowels, ensuring the Metal dowel **C** and wood dowel **A** enter corresponding holes.



Assembly Instructions

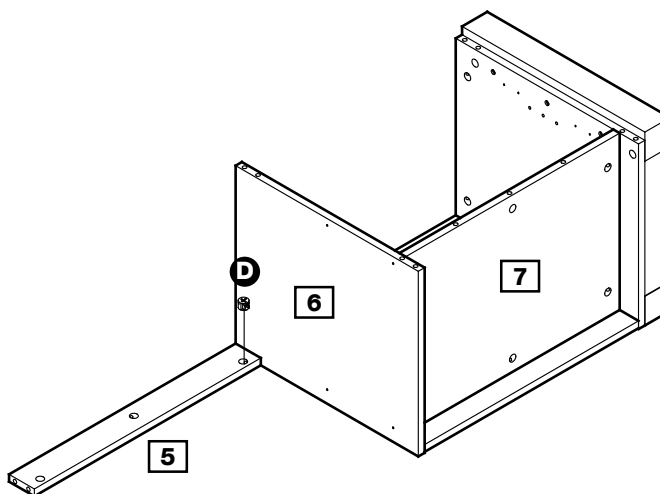
Step 9

Insert the 1 Metal cam **D** into the hole on the Rear rail **5** so that they are flush.



Note: Longer leg of the cross on the Metal Cam must face towards metal dowel (as shown).

Then, using a Philips Screwdriver, screw the Metal cam **D** clockwise until it is 'hand tight'.

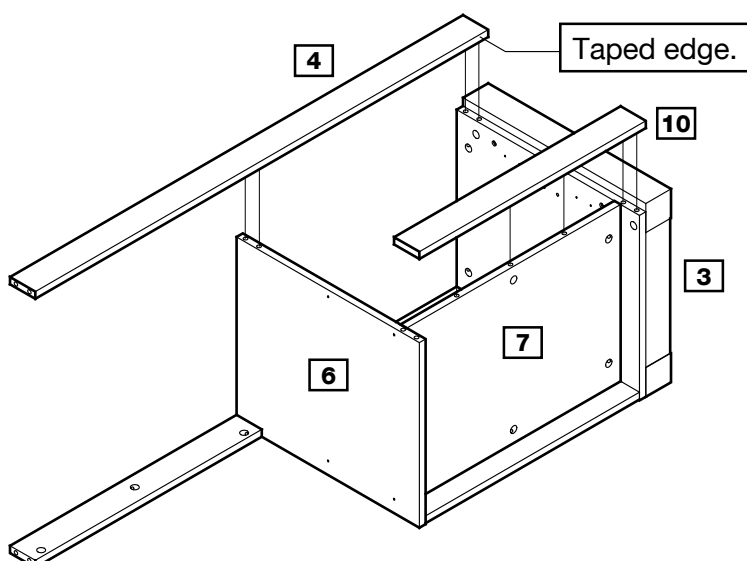
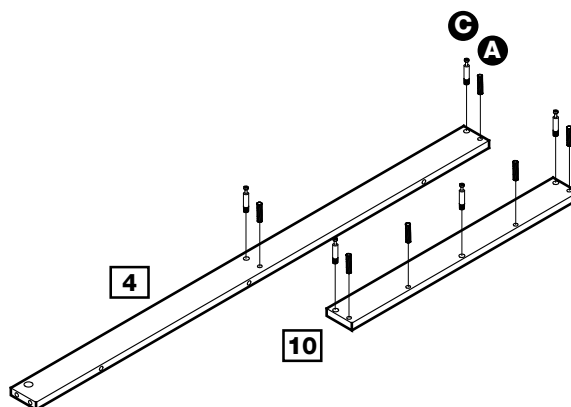


Step 10

Screw 5 Metal dowels **C** into the threaded holes in the Front top and bottom rails **4** **10** as shown.

Insert Wood dowels **A** into the indicated holes.

Firmly push the Front top and bottom rails onto the top edges of side panel and divider, ensuring the Metal dowels **C** and wood dowels **A** enter corresponding holes.



Assembly Instructions

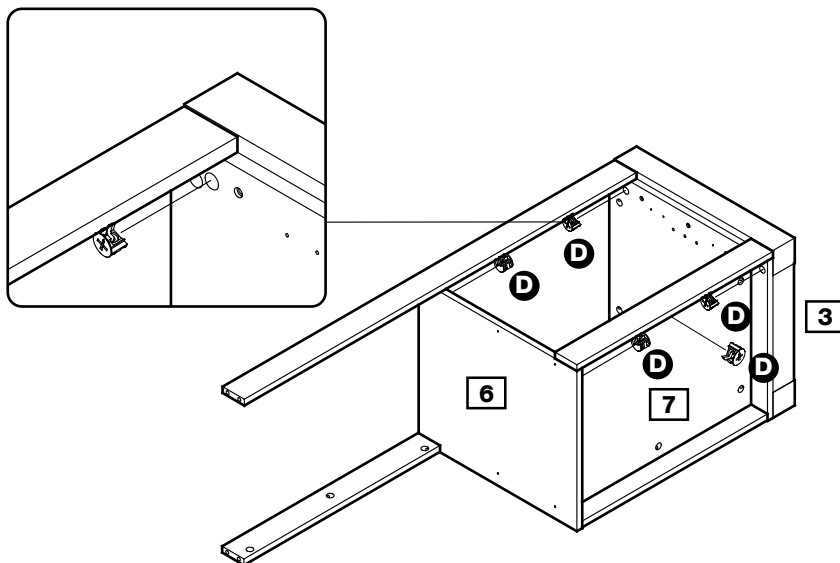
Step 11

Insert the 5 Metal cams **D** into the 5 holes on the panels **3** **6** **7** so that they are flush.



Note: Longer leg of the cross on the Metal Cams must face towards end of panels.

Then, using a Philips Screwdriver, screw all Metal cams **D** clockwise until they are 'hand tight'.

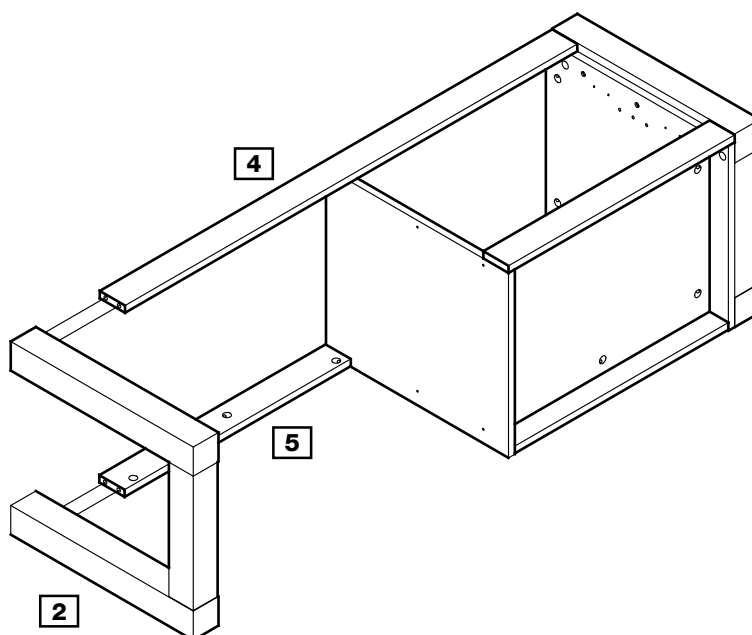
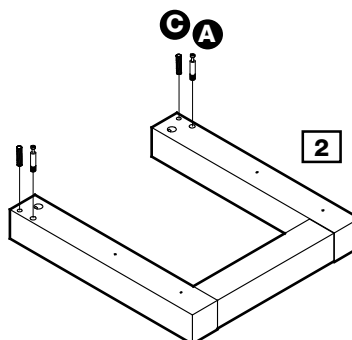


Step 12

Screw 2 Metal dowels **C** into the threaded holes in the Left side frame **2** as shown.

Insert Wood dowels **A** into the indicated holes.

Firmly push the Left side frame onto the ends of Front and Rear rails, ensuring the Metal dowels **C** and wood dowels **A** enter corresponding holes.



Assembly Instructions

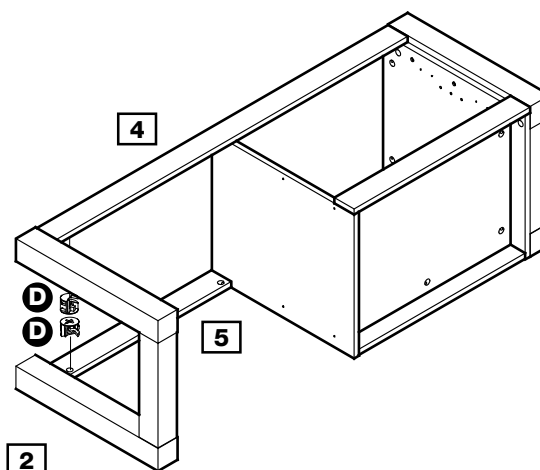
Step 13

Insert the 2 Metal cams **D** into the 2 holes on the Front and rear rails so that they are flush.



Note: Longer leg of the cross on the Metal Cams must face towards end of rails.

Then, using a Philips Screwdriver, screw all Metal cams **D** clockwise until they are 'hand tight'.

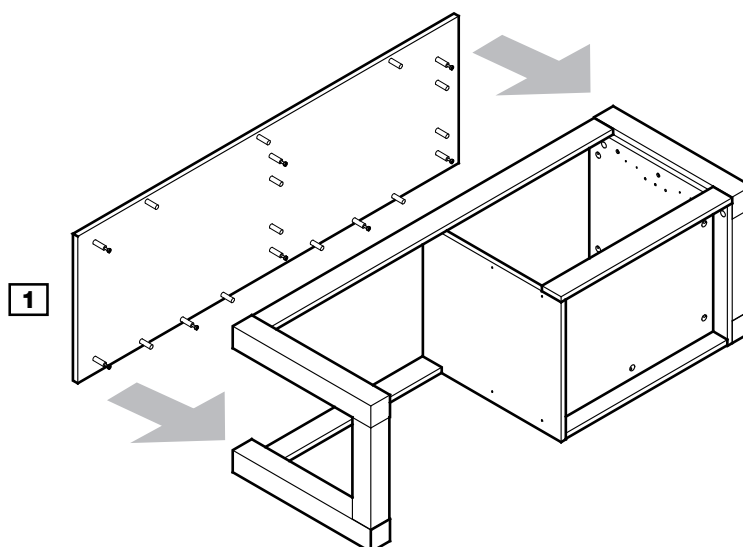
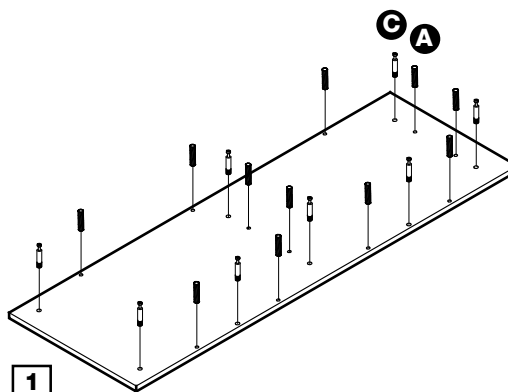


Step 14

Screw 8 Metal dowels **C** into the threaded holes in the Top panel **1** as shown.

Insert Wood dowels **A** into the indicated holes.

Firmly push the Top panel **1** onto the end of side panels and dividers, ensuring the Metal dowels **C** and wood dowels **A** enter corresponding holes.



Assembly Instructions

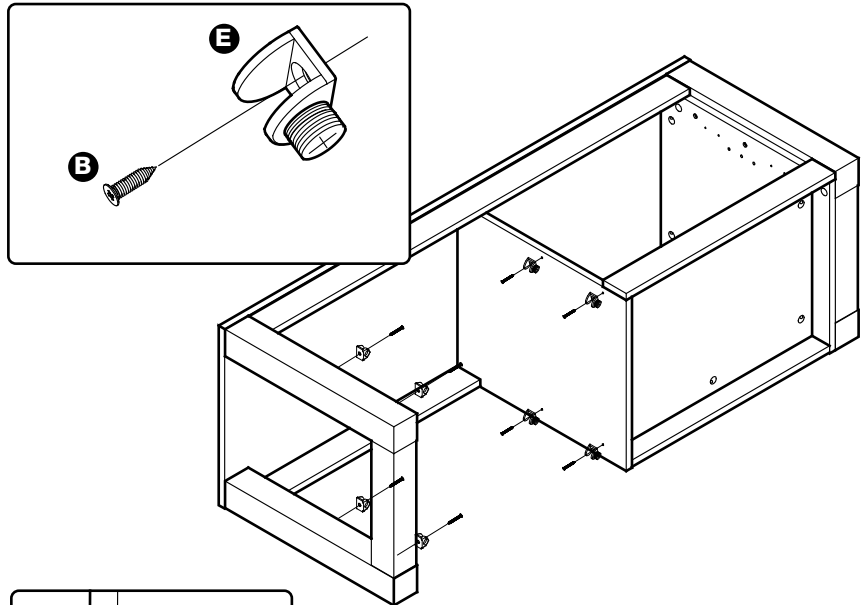
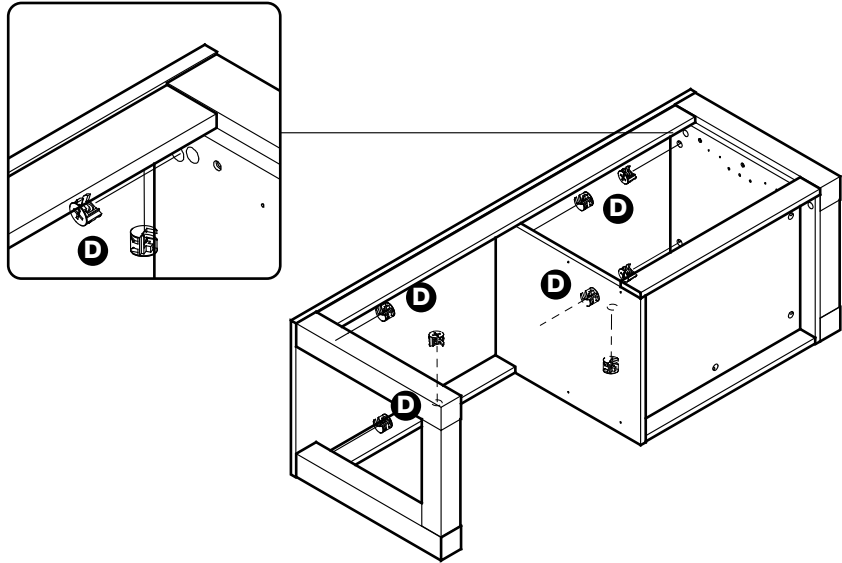
Step 15

Insert the 8 Metal cams **D** into the 8 holes on the side panels, dividers and rear rail so that they are flush.



Note: Longer leg of the cross on the Metal Cams must face towards metal dowels.

Then, using a Philips Screwdriver, screw all Metal cams **D** clockwise until they are 'hand tight'.



Step 16

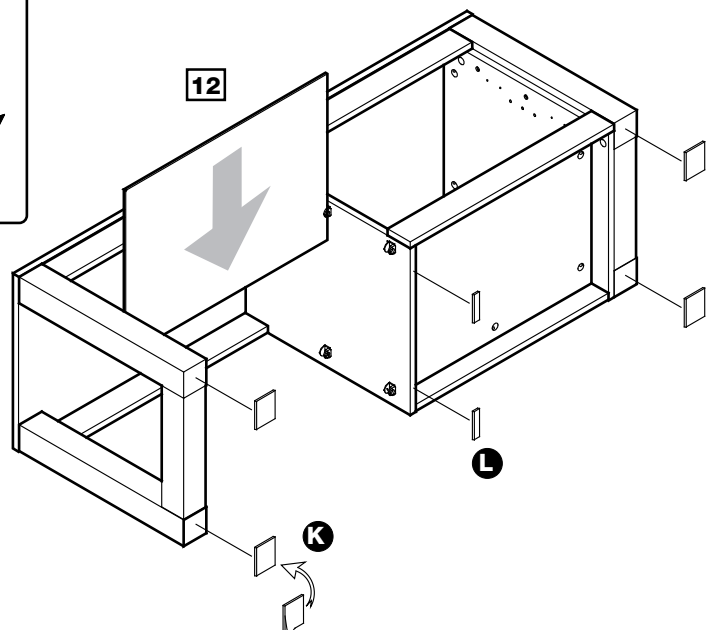
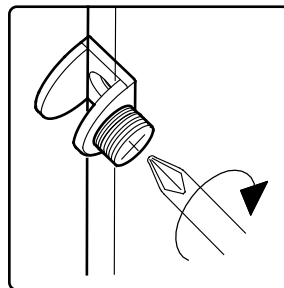
Screw 8 Shelf holders **E** onto the pre-drilled holes in divider and Left side frame using 12mm Screws **B**, make sure the screws of the shelf holders face downwards as shown.

Push the top Glass shelf **12** into the Shelf holders **E** and secure with the screws by turning clockwise as shown.

Repeat this step to assemble the other glass shelf.

Peel off the cover of the Foot pads **K** **L**, attach to the bottom edges of side panels and divider as shown.

Turn the unit upright.

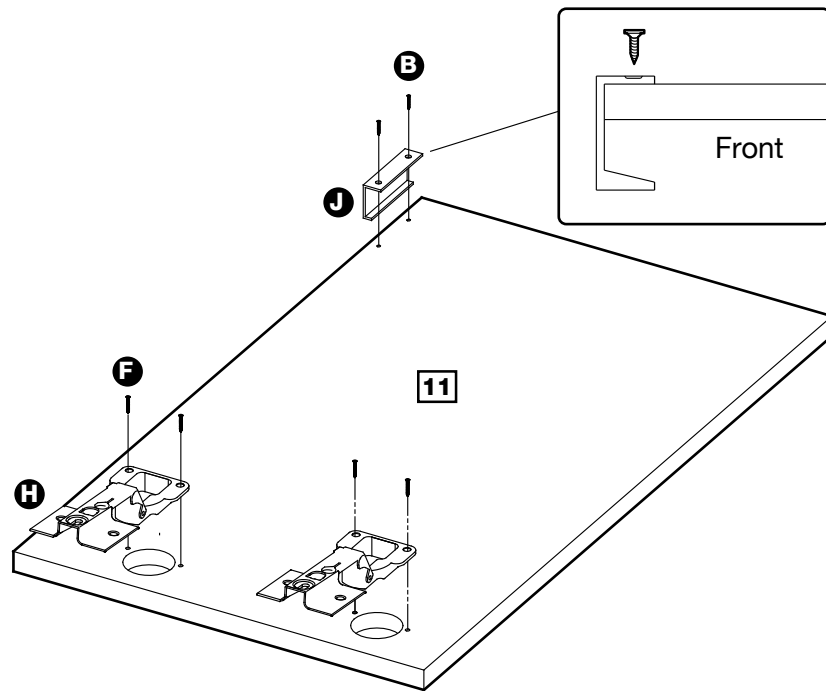


Assembly Instructions

Step 17

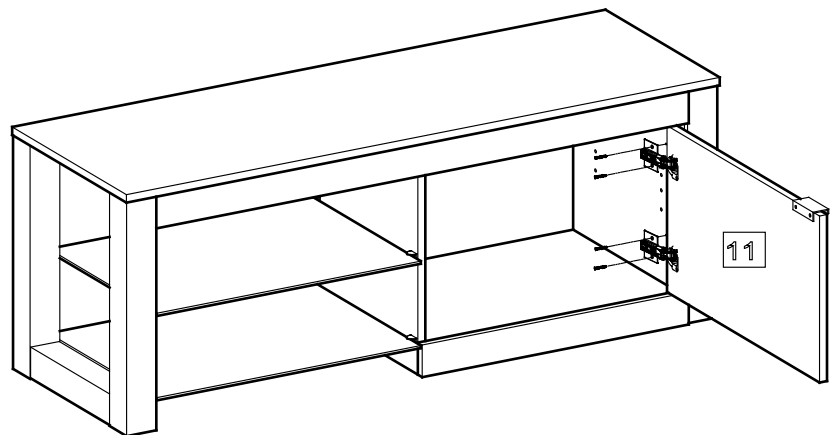
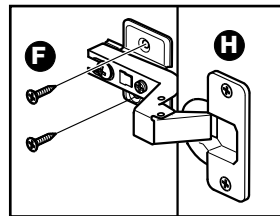
Screw Handle **J** to the pre-drilled holes in the rear face of the Door **11** using 12mm Screws **B**.

Screw Hinges **H** to the pre-drilled holes in the rear face of the Door using 14mm Screws **F**.



Step 18

Locate the Door **14** onto the Right side panel **3**, screw the Hinges **H** to the pre-drilled holes, using 14mm Screws **F** as shown.



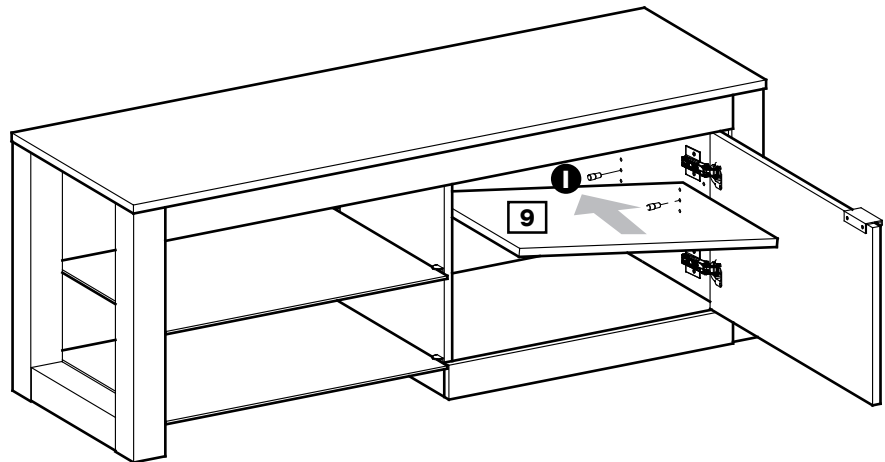
Assembly Instructions

Step 19

Push 2 Shelf Pins **1** into each side of the Right side panel and divider at desired height.

Place Adjustable shelf **9** onto the Shelf pins.

Cover the visible cam holes with Cover pads **G**.



Step 20

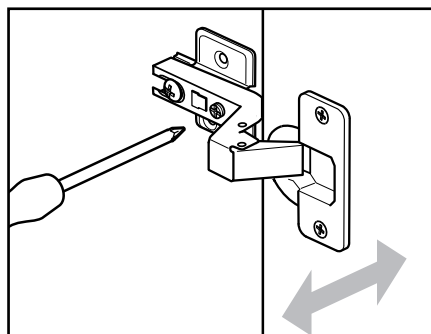
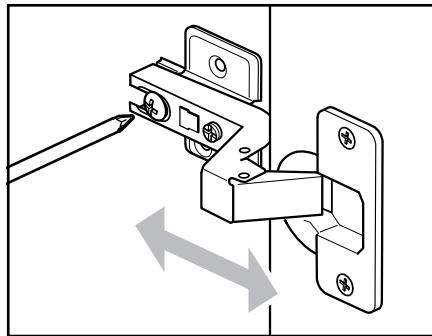
Adjust the door:

a: To move doors in or out: loosen screw shown and move doors to suit.

Re-tighten screws.

b: To move doors left or right: loosen screw shown and move doors to suit.

Re-tighten screws.



Assembly is complete.

If you need help or have damaged or missing parts, call the Customer Help Line: 03456 400800
Home Retail Group plc. Avebury, 489-499 Avebury Boulevard. Milton Keynes. MK9 2NW