

Ivy Small Sideboard

Assembly Instructions - Please keep for future reference

453/6563

hygena



Dimensions

Width - 90cm

Depth - 40cm

Height - 80cm

Important - Please read these instructions fully before starting assembly

If you need help or have damaged or missing parts, call the **Customer Helpline: 0345 6400 800**



Safety and Care Advice

Important – Please read these instructions fully before starting assembly

Check you have all the components and tools listed on pages 2 and 3.

Remove all fittings from the plastic bags and separate them into their groups.

Keep children and animals away from the work area, small parts could choke if swallowed. Make sure you have enough space to layout the parts before starting.

Assemble the item as close to its final position (in the same room) as possible.

Assemble on a soft level surface to avoid damaging the unit or your floor.

Assembly requires 2 people.

Do not stand or put excessive weight on the product, this could cause damage.



We do not recommend the use of power drill/drivers **for inserting screws**,

as this could damage the unit. Only use hand screwdrivers and Allen keys.

Dispose of all packaging carefully and responsibly.

Care and maintenance

Only clean using a damp cloth and mild detergent, do not use bleach or abrasive cleaners.

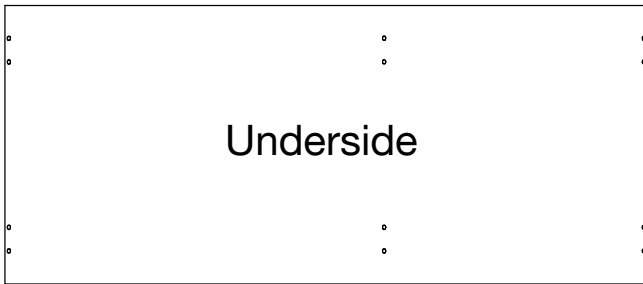
From time to time check that there are no loose screws on this unit.

This product should not be discarded with household waste. Take to your local authority waste disposal centre.

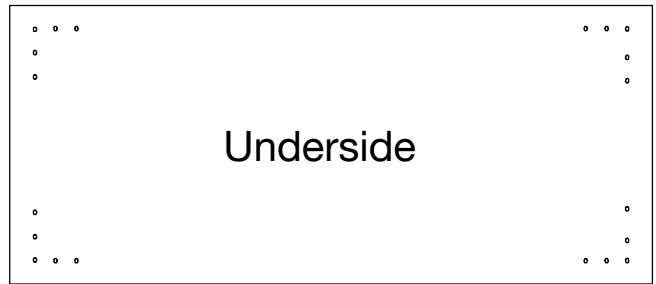
Components - Parts

If you have damaged or missing components, call the **Customer Helpline: 0345 6400 800**

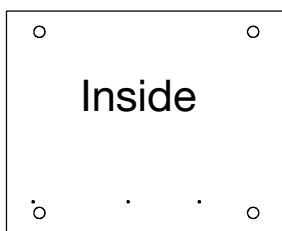
Please check you have all the parts listed below



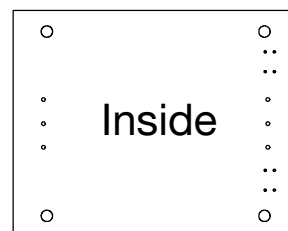
1 Top panel
(90x39.7x1.5cm)



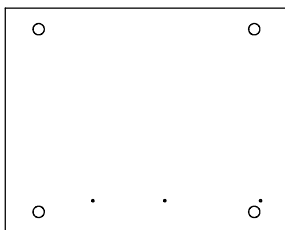
2 Base panel
(90x39.7x1.5cm)



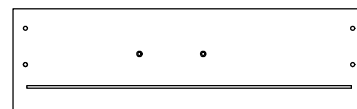
3 Side panel (right)
(32x39.7x1.5cm)



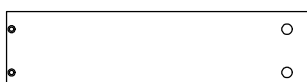
4 Side panel (left)
(32x39.7x1.5cm)



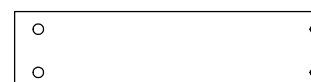
5 Divider
(32x39.7x1.5cm)



6 Drawer front x 2
(53x15.5x1.5cm)



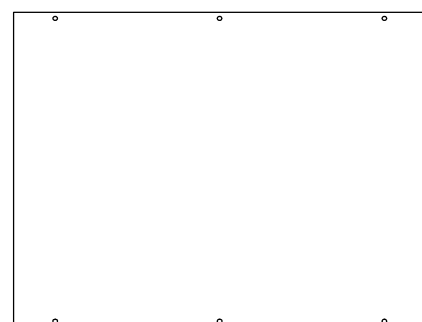
7 Drawer side panel (left) x 2
(35x8.5x1.2cm)



8 Drawer side panel (right) x 2
(35x8.5x1.2cm)



9 Drawer back x 2
(48.5x10x1.2cm)

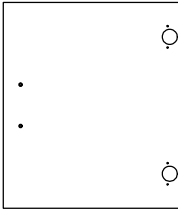


10 Drawer base x 2
(50.8x34.5x0.5cm)

Components - Parts

If you have damaged or missing components,
call the **Customer Helpline: 0345 6400 800**

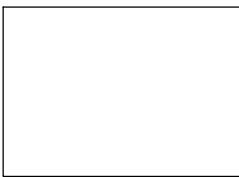
Please check you have all the parts listed below



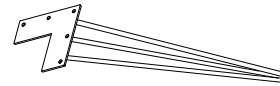
11 Door
(31.5x31.5x1.5cm)



12 Back panel
(89.8x34.8x0.3cm)



13 Shelf
(38x31.8x1.5cm)



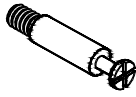



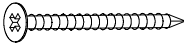
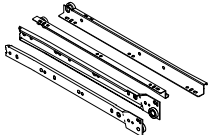



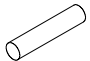
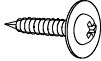
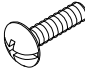
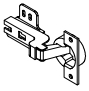




14 Legs x 4

Components - Fittings

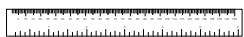
If you have damaged or missing components, call the **Customer Helpline: 0345 6400 800**

Please check you have all the fittings listed below

Note: The quantities below are the correct amount to complete the assembly. In some cases more fittings may be supplied than are required.

<p>A</p>  <p>Metal dowel x 20</p>	<p>B</p>  <p>Large locking nut x 12</p>	<p>C</p>  <p>Small locking nut x 8</p>
<p>D</p>  <p>Wooden dowel x 12</p>	<p>E</p>  <p>4 x 30mm Screw x 8</p>	<p>F</p>  <p>Drawer runner x 2 sets</p>
<p>G</p>  <p>3.5 x 12mm Screw x 24</p>	<p>H</p>  <p>Handle x 3</p>	<p>J</p>  <p>M4 x 16mm Screw x 6</p>
<p>K</p>  <p>Shelf support pin x 4</p>	<p>L</p>  <p>3 x 12mm Screw x 16</p>	<p>M</p>  <p>M6 x 12mm Screw x 20</p>
<p>N</p>  <p>Door hinge x 2</p>	<p>P</p>  <p>4 x 14mm Screw x 12</p>	<p>Q</p>  <p>Wall strap x 2</p>
<p>R</p>  <p>4 x 25mm Screw x 2</p>	<p>S</p>  <p>Plain washer x 2</p>	

Tools required

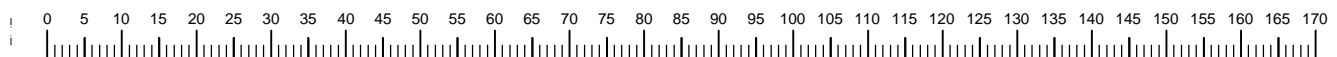


Ruler/tape measure



Phillips screwdriver
(Not supplied)

Ruler - Use this ruler to help correctly identify the screws



Assembly Instructions

Step 1

Preparing panels

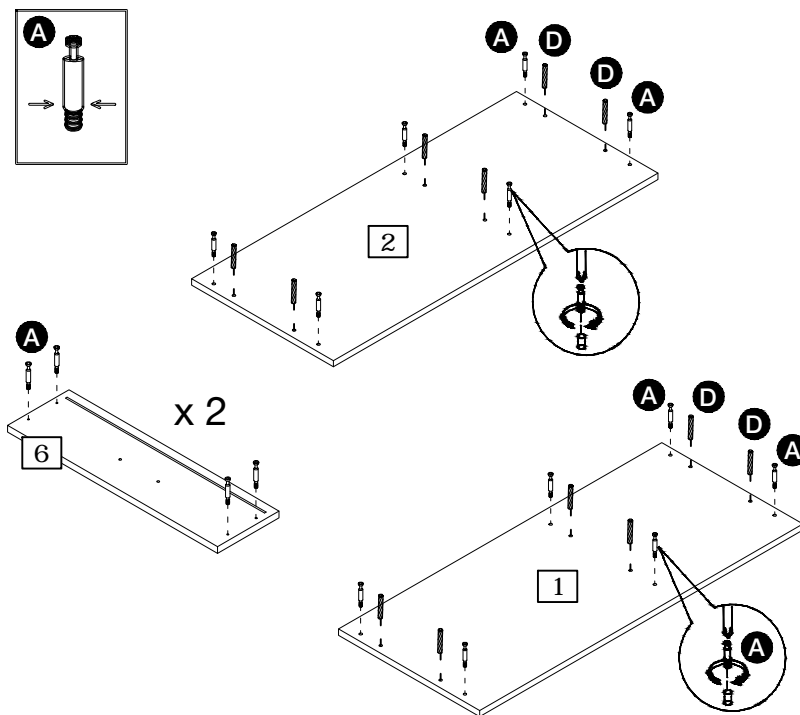
Place top panel **1**, base panel **2** and drawer front **6** flat on the floor with the fixing holes facing up.

Screw metal dowels **A** into each panel as shown.

Note: Screw metal dowels as far as shown.

Do not overtighten.

Insert wood dowels **D** into top panel **1** and base panel **2** as shown.



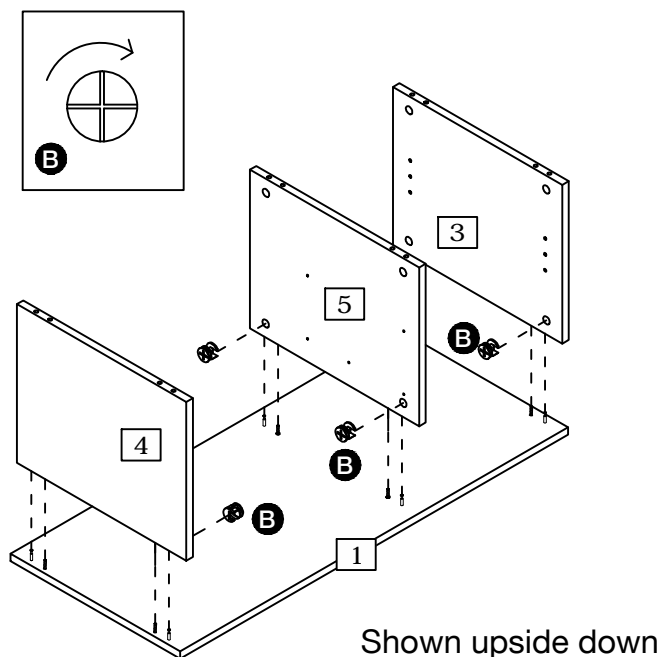
Step 2

Assembling side

Carefully locate side panels **3** and **4** and divider **5** onto top panel **1** in the locations shown.

Insert large locking nuts **B** into side panels **3** and **4** and divider **5**.

Turn locking nuts clockwise to secure.



Assembly Instructions

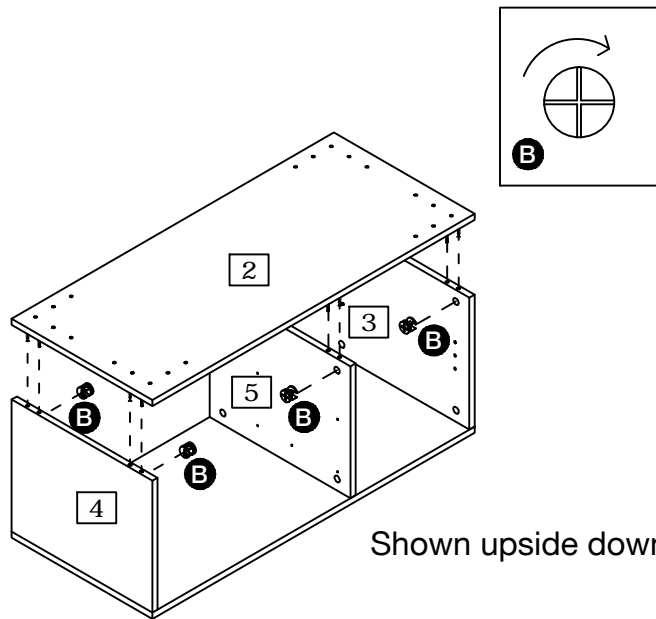
Step 3

Assembling base panel

With help, carefully locate base panel **2** into position as shown.

Insert large locking nuts **B** into side panels **3** and **4** and divider **5**.

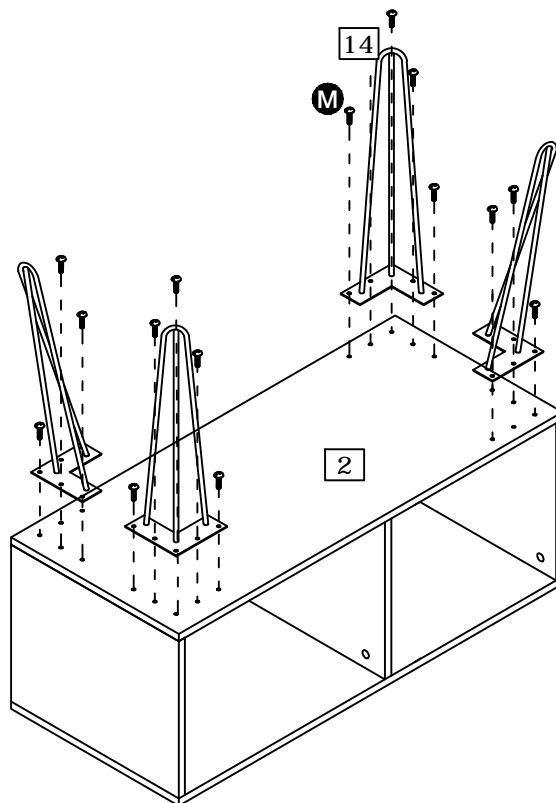
Turn locking nuts clockwise to secure.



Step 4

Assembling legs

Assemble legs **14** to base panel **2** using screws **M**.



Assembly Instructions

Step 5

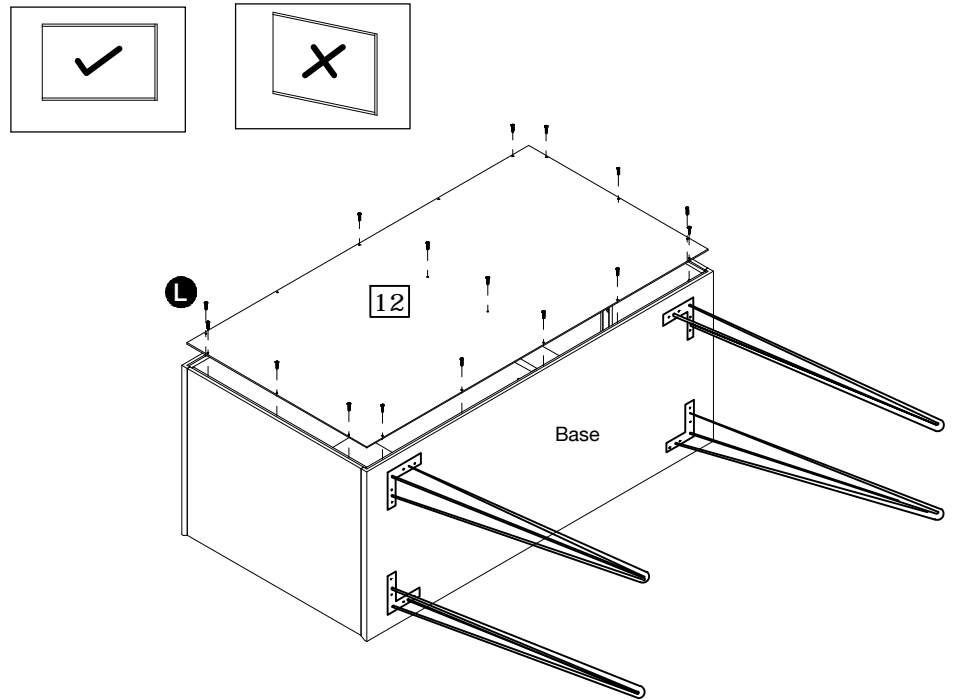
Assembling back panel

With help, carefully turn the unit onto it's front.

Note: Ensure the unit is straight and square.

Place back panel **12** into the recess around the back of the unit. Secure using screws **L**.

Note: As shown, ensure you leave two holes clear at the top of the back panels for later assembly of the wall straps in Step 11.



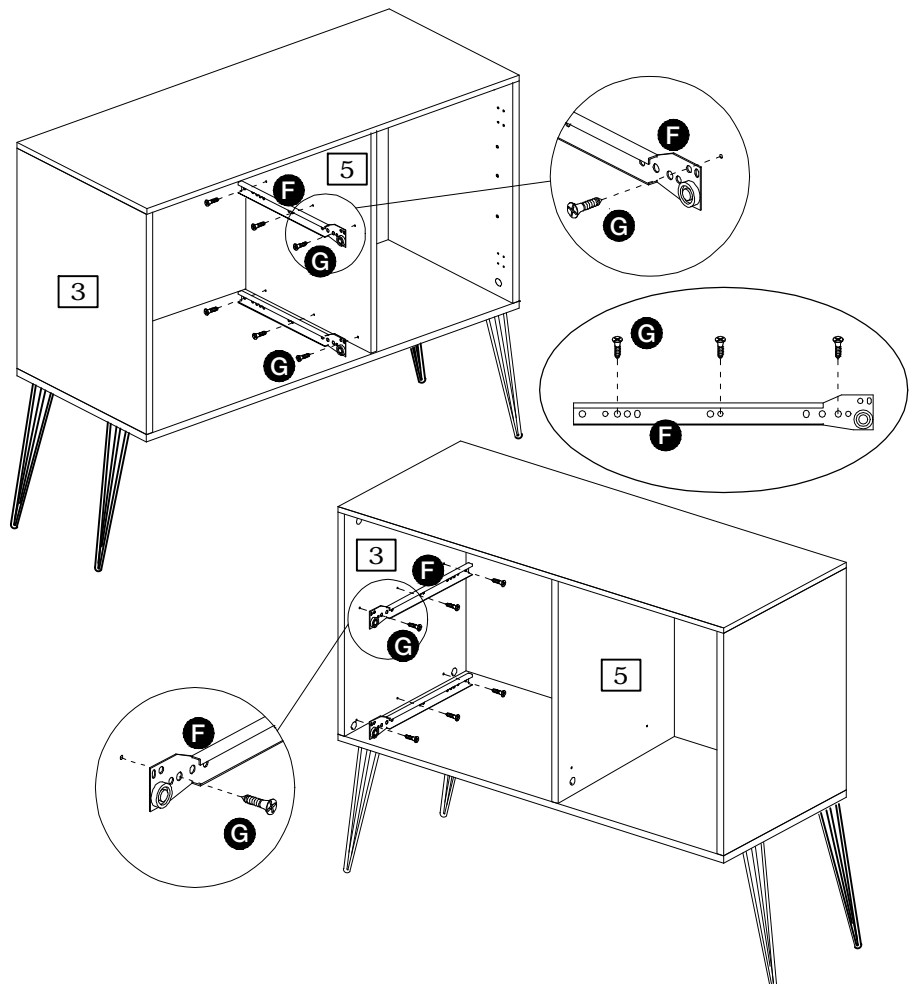
Step 6

Assembling drawer runners

With help, stand the unit upright onto it's legs.

Attach one half of drawer runners **F** onto right side panel **3** and divider **5** as shown. Secure with screws **G**.

Note: The correct fixing hole positions are shown in the enlarged drawings.



Assembly Instructions

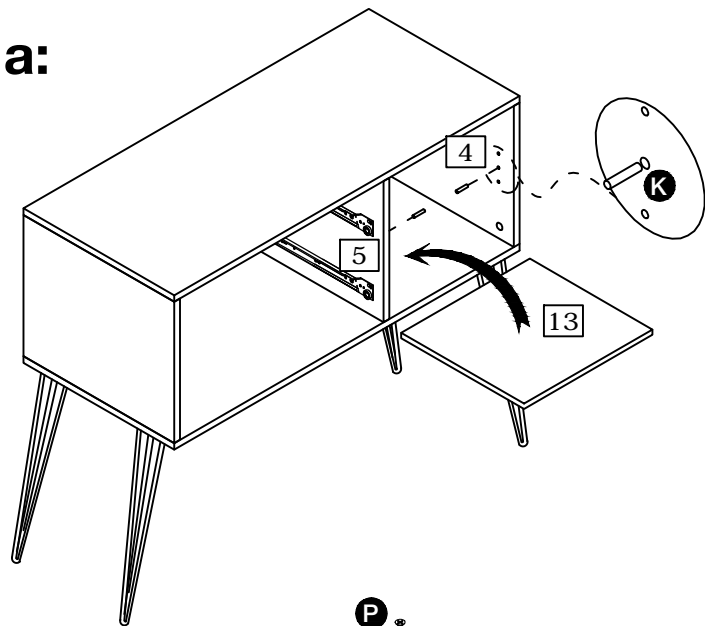
Step 7

Assembling door and shelf

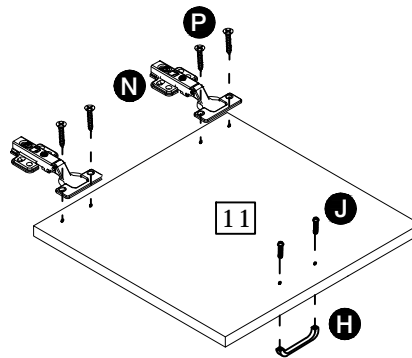
a: Insert shelf support pins **K** into left side panel **4** and divider **5** at the desired height.

Carefully locate shelf **13** onto the support pins.

a:



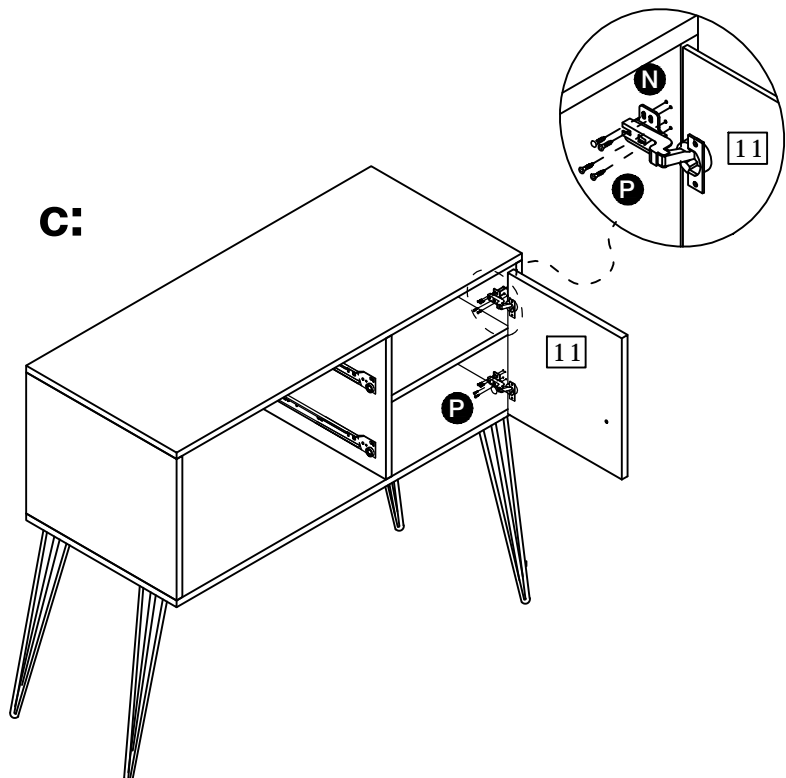
b:



b: Assemble hinges **N** to door **11** using screws **P**.

Fit handle **H** to door **11** using screws **J**.

c:



c: Assemble door **11** to left side panel **4** using screws **P**.

Assembly Instructions

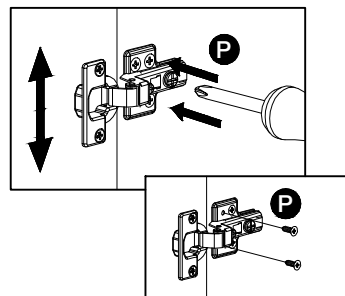
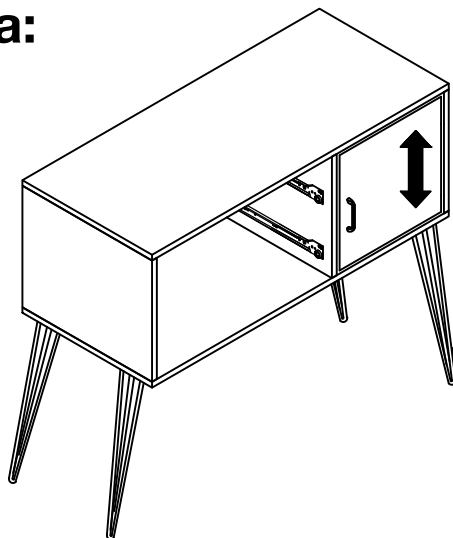
Step 8

Hinge adjustment

a: To move doors up or down, loosen screws **P** as shown and move doors to suit.

Once doors are aligned, insert 2 more screws **P** into the hinge plates and fully tighten all screws.

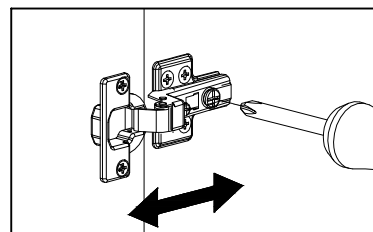
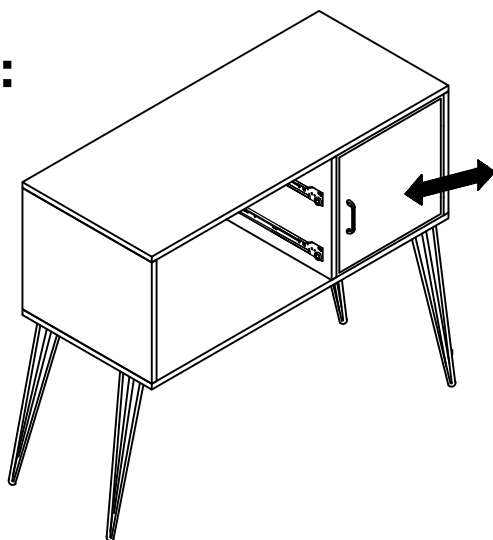
a:



b: To move doors in or out, loosen screw shown and move doors to suit.

Re-tighten screws.

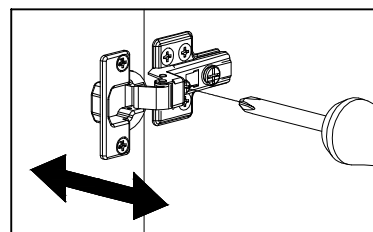
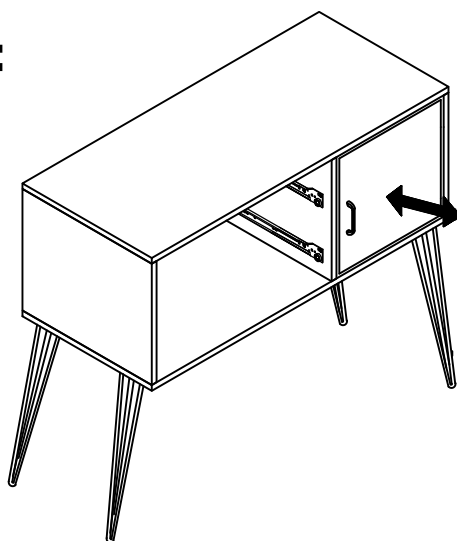
b:



c: To move doors left or right, loosen screw shown and move doors to suit.

Re-tighten screws.

c:

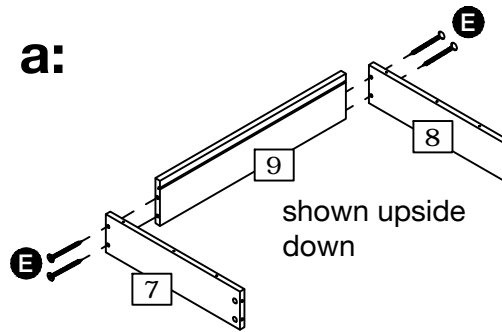


Assembly Instructions

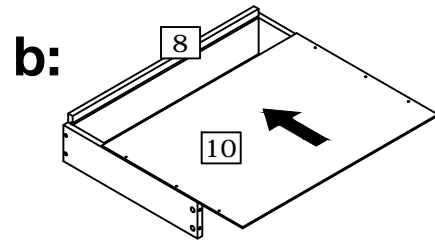
Step 9

Assembling drawers

a: Locate drawer back **9** in between drawer side panels **7** and **8**. Secure using screws **E**.



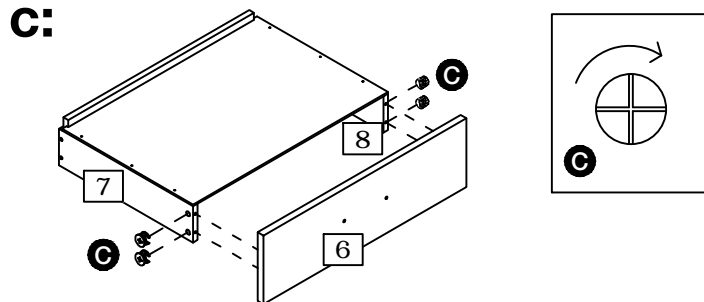
b: Place drawer base **10** into the groove in back panel **8**.



c: Locate drawer front **6** onto the drawer body.

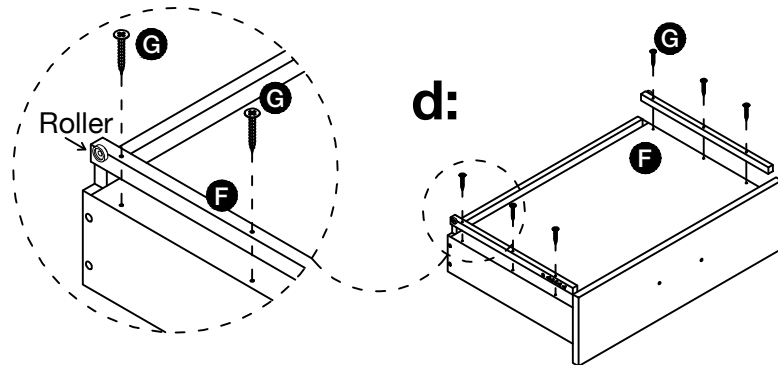
Insert small locking nuts **C** into drawer sides **7** and **8**.

Turn locking nuts clockwise to secure.



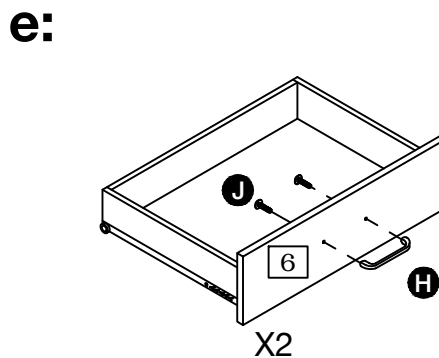
d: Locate the other half of drawer runners **F** onto each side of the drawer with the rollers at the back.

Secure using screws **G**.



e: Attach drawer handle **H** to drawer front **6** using screws **J**.

Repeat for both drawers.

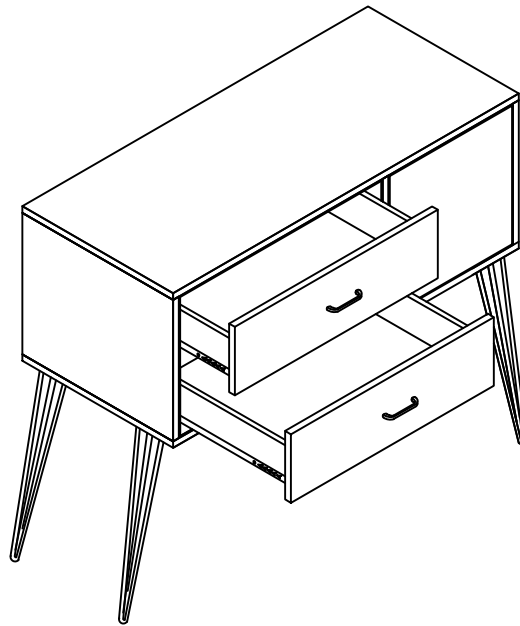


Assembly Instructions

Step 10

Locating drawers

Carefully slide drawers into position as shown.



Step 11

Fixing to wall

It is recommended that the unit is fixed to the wall to ensure stability.

Assemble wall straps **Q** to the back edge of the top panel using screws **R** and plain washer **S**.

With help, move the unit to the desired location.

Mark the fixing hole locations on the wall and remove the unit.

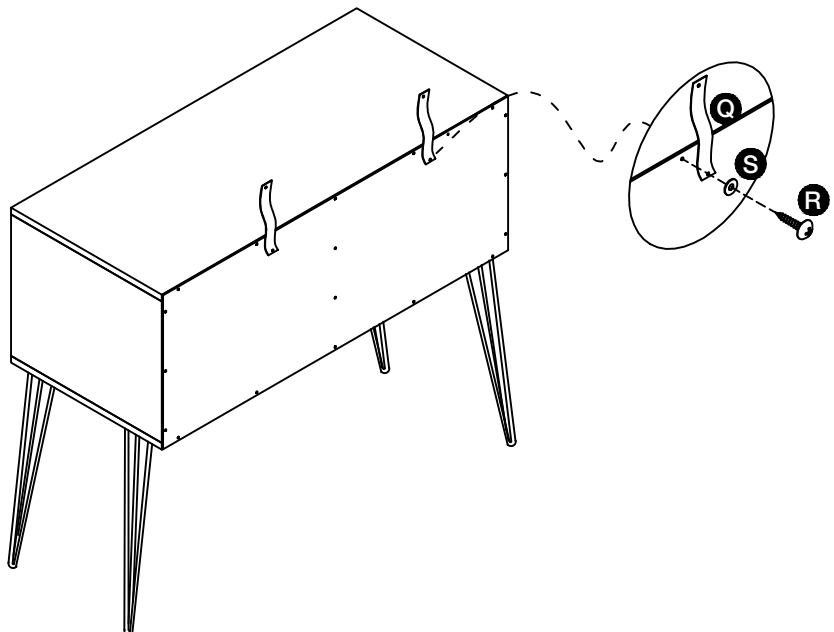
Drill the wall and fit suitable plugs for your wall type.

Note: Wall plugs are not supplied.

Warning: Before drilling. Check the wall for hidden pipes or cables. Re-position the unit and secure the wall straps to the wall.

Note: Screws are not supplied.

Assembly is complete.



If you need help or have damaged or missing parts, call the **Customer Helpline: 0345 6400 800**
Home Retail Group, 489-499 Avebury Boulevard, Saxon Gate West, Central Milton Keynes, MK9 2NW