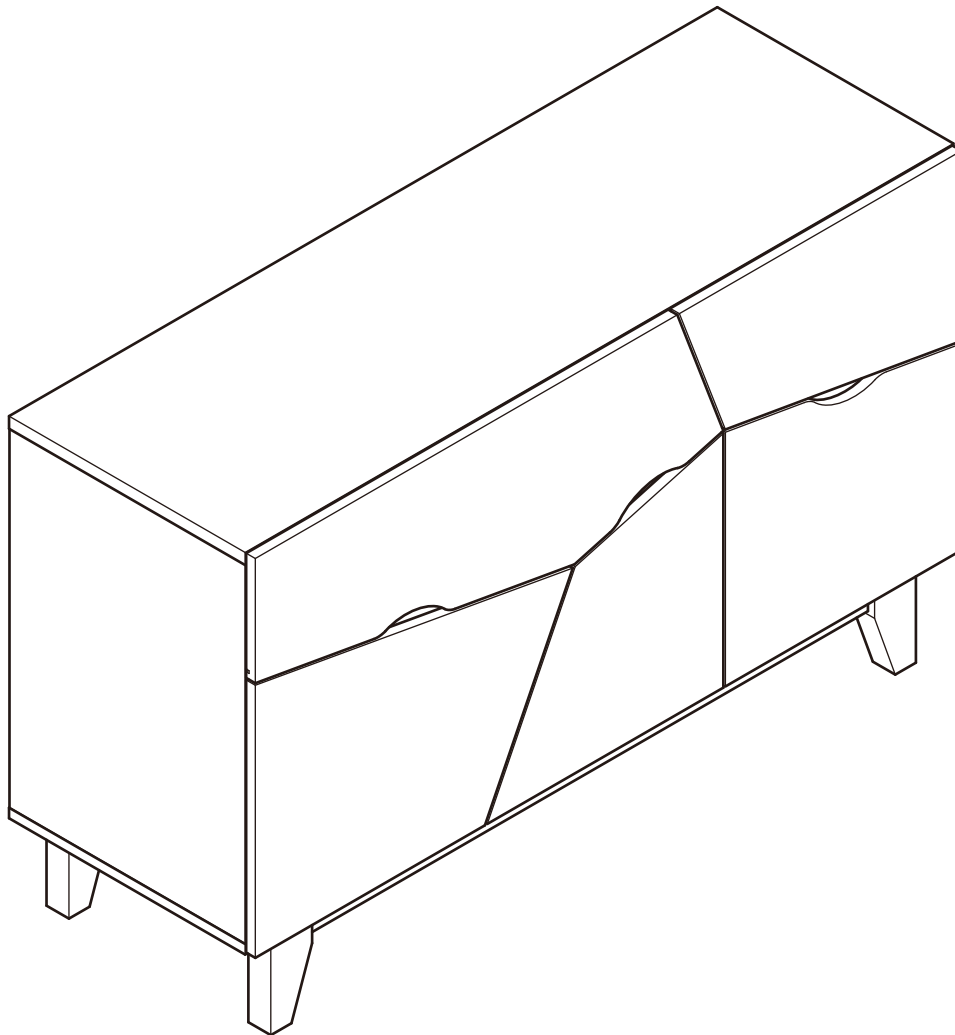


Multicoloured Sideboard

Assembly Instructions - Please keep for future reference

453/4785



Dimensions

Width - 120cm

Depth - 42cm

Height - 74cm

Important - Please read these instructions fully before starting assembly

If you need help or have damaged or missing parts, call the **Customer Helpline:**
Argos = 0345 6400800



Safety and Care Advice

Important – Please read these instructions fully before starting assembly

- Check you have all the components and tools listed on the following pages.
- Remove all fittings from the plastic bags and separate them into their groups.
- Keep children and animals away from the work area, small parts could choke if swallowed.
- Make sure you have enough space to layout the parts before starting.

- During assembly do not stand or put weight on the product, this could cause damage.
- Assemble the item as close to its final position (in the same room) as possible.
- Assemble on a soft level surface to avoid damaging the unit or your floor.
- Parts of the assembly will be easier with 2 people.



- To reduce the likelihood of damaging your product please ensure that your power drill is set on a low torque setting.

Care and maintenance

- Only clean using a damp cloth and mild detergent, do not use bleach or abrasive cleaners.
- From time to time check that there are no loose screws on this unit.
- This product should not be discarded with household waste. Take to your local authority waste disposal centre.

Handy Hints

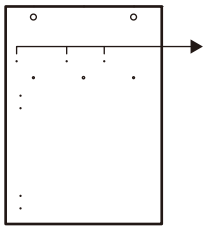
- Regularly check and ensure that all bolts and fittings are tightened properly.

Note: if required the next page can be cut out and used as reference throughout the assembly. Keep this page with these instructions for future reference.

Components - Panels

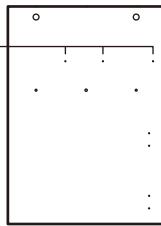
If you have damaged or missing components, call the
Customer Helpline: Argos = 0345 6400800

Please check you have all the panels listed below

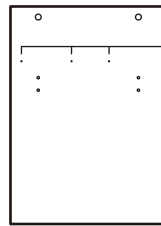


1 Left panel
(39.9 x 55.6cm)

Pilot holes for
guidance only

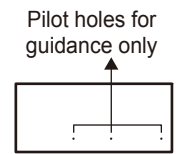


2 Right panel
(39.9 x 55.6cm)



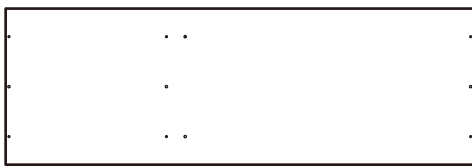
3 Middle right panel
(39.9 x 55.6cm)

Pilot holes for
guidance only

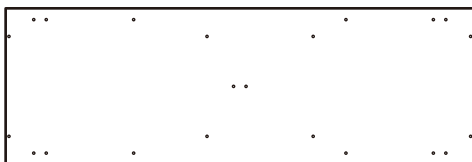


4 Middle panel
(39.8 x 17.4cm)

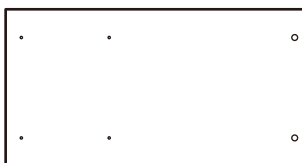
Pilot holes for
guidance only



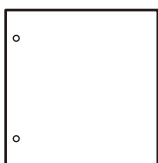
5 Top panel (120.1 x 40cm)



6 Bottom panel (120.1 x 40cm)



7 Left shelf (76.4 x 39.8cm)



8 Right shelf (38.8 x 39.8cm)



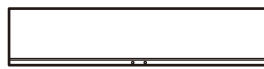
9 Middle left panel (39.8 x 36.6cm)



10 Large drawer front (79.4 x 28cm)



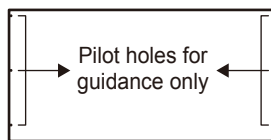
11 Small drawer front (47.9 x 28cm)



12 Large drawer back
(66.6 x 14.5cm)

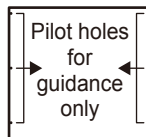


13 Small drawer back
(33.9 x 14.5cm)



14 Large drawer bottom
(69 x 33.6cm)

Pilot holes for
guidance only



15 Small drawer bottom
(36.3 x 33.6cm)

Pilot holes
for
guidance
only

Finished front edge



16 Drawer left x 2
(34 x 12.8cm)

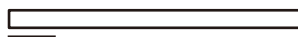
Finished front edge



17 Drawer right x 2
(34 x 12.8cm)



18 Drawer support
(32.7 x 6cm)



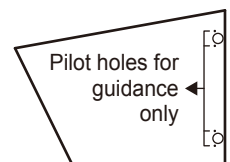
19 Front bottom panel x 2
(95.4 x 4.5cm)



20 Leg x 4 (7 x 15cm)

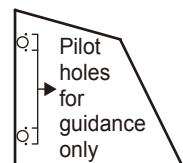


21 Bottom support
(7 x 15cm)



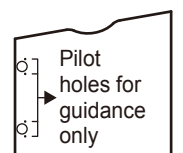
22 Left door panel
(53.9 x 40.1cm)

Pilot holes for
guidance
only



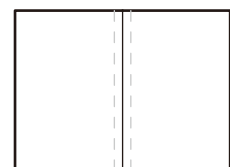
23 Middle door panel
(40.1 x 37.4cm)

Pilot
holes
for
guidance
only

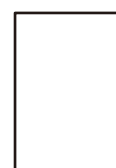


24 Right door panel
(40.1 x 37.4cm)

Pilot
holes for
guidance
only



25 Large back panel
(78.4 x 58.6cm)










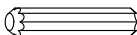
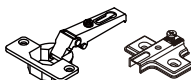
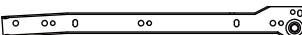
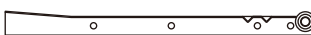
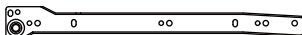

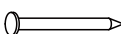

26 Small back panel
(41 x 58.6cm)



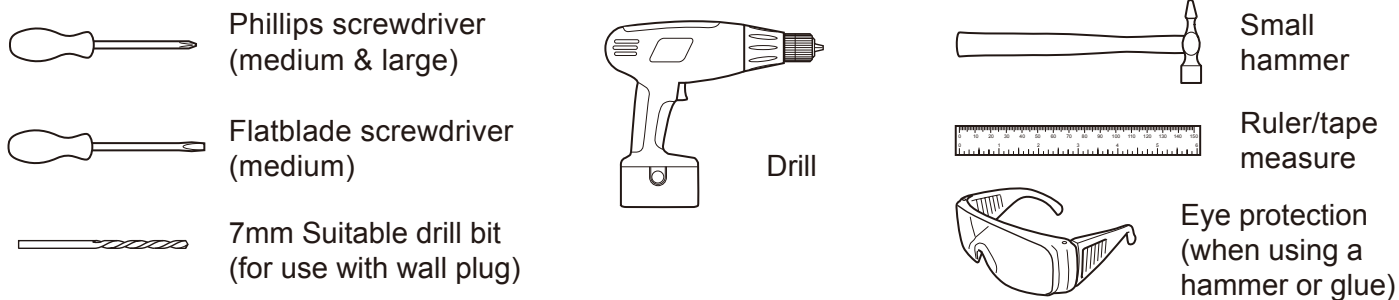
Components - Fittings

Please check you have all the fittings listed below

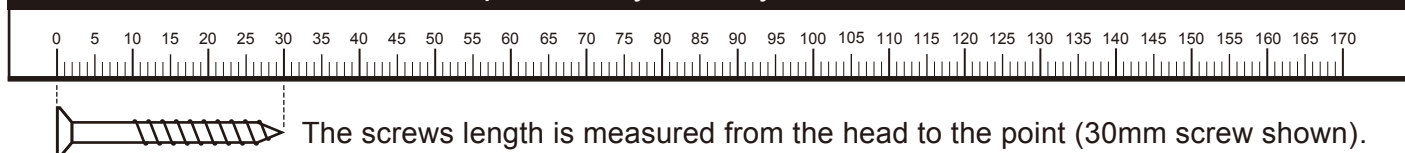
Note: The quantities below are the correct amount to complete the assembly. In some cases more fittings may be supplied than are required.

A  (This screw is included in the runners bag) 12mm Screw x 24	B  (This screw is included in the door hinges bag) 15mm Screw x 24	C  50mm Screw x 30
D  30mm Screw x 10	E  39mm Locking pin x 19	F  15mm Locking nut x 10
G  12mm Locking nut x 9	H  30mm Dowel x 11	I  Door hinge x 6
J  Right outside runner x 2	K  Right inside runner x 2	L  Left outside runner x 2
M  Left inside runner x 2	N  Nail x 30	O  Door pad x 3

Tools required



Ruler - Use this ruler to help correctly identify the screws



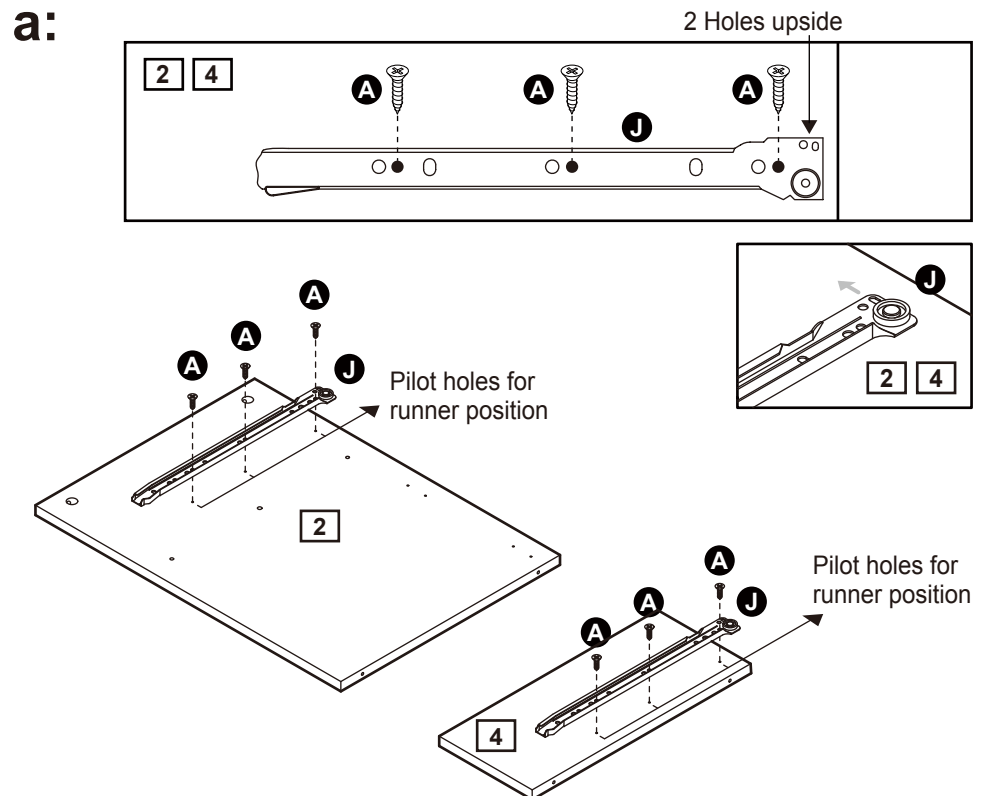
Assembly Instructions

Step 1

Attaching runners and hinges

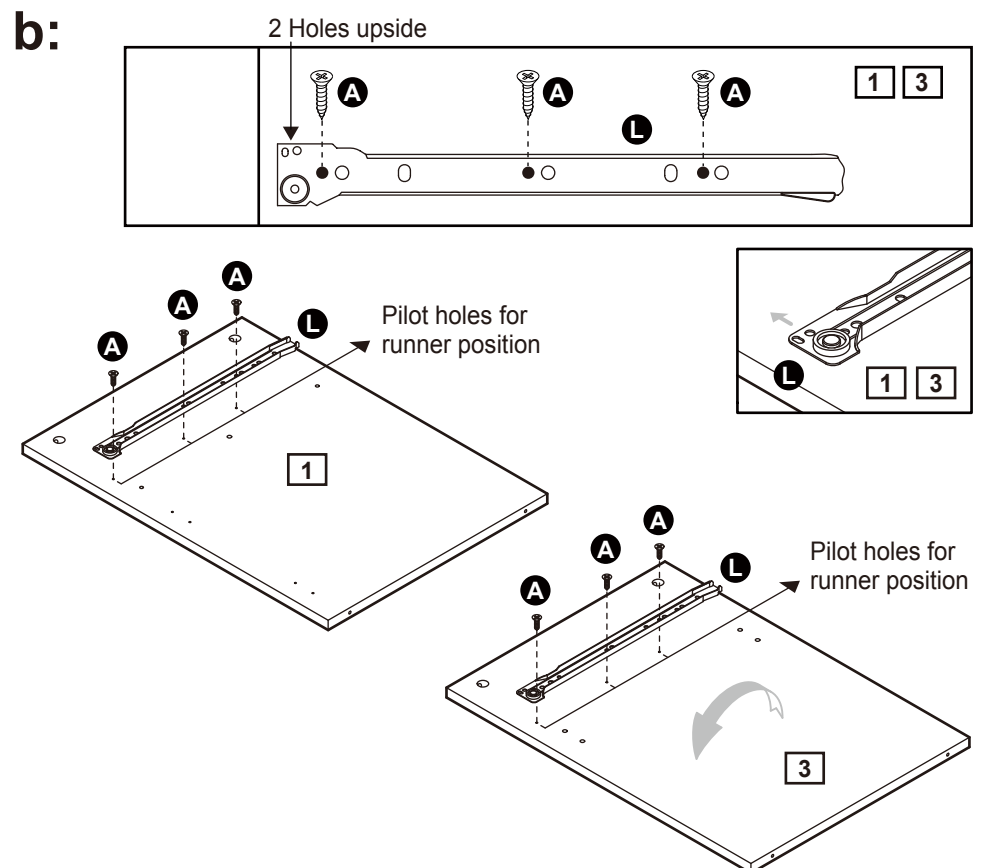
a: Position the Left outside runners **J** in from front edge of the Left panel **2** and Middle panel **2**.

Use Screws **A** to fix the Left outside runners **J** onto the Left panel **2** and Middle panel **4**.



b: Position the Right outside runners **L** in from front edge of the Right panel **1** and Middle right panel **3**.

Use Screws **A** to fix the Right outside runners **L** onto the Right panel **1** and Middle right panel **3**.



Continued on next page.

Note: Repeat runner fixing on reverse side.

Assembly Instructions

Step 1 - continued

c: Screw Locking pins **E** into the Left panel **2**.

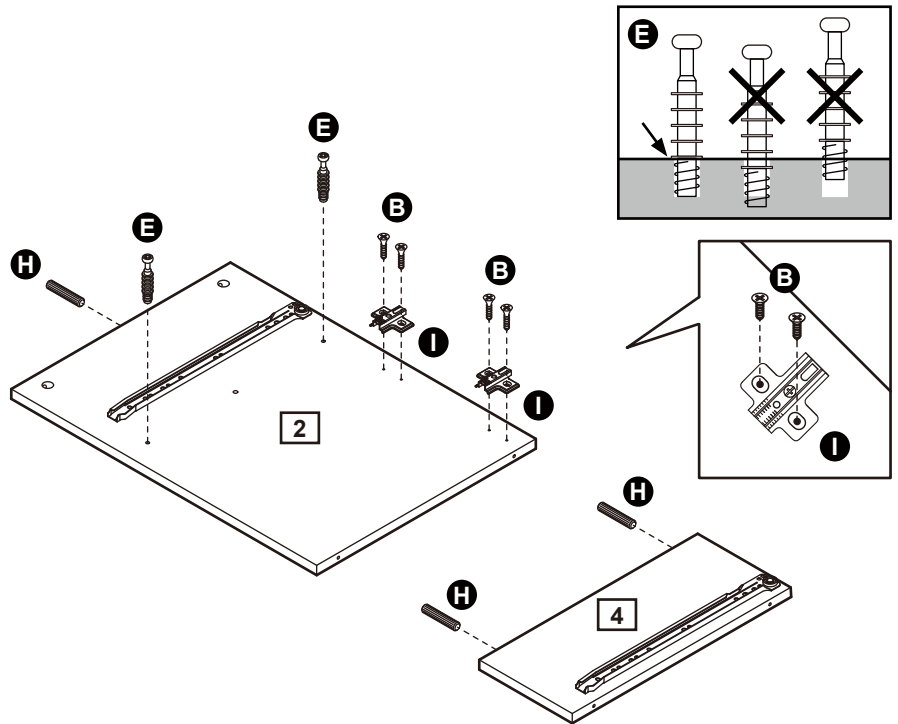
Note: Insert locking pins as far as shown.

Do not over tighten.

Use Screws **B** to fix the Door hinges **I** 'back plates' onto the Left panel **2**.

Insert Dowels **H** into the Left panel **2** and Middle panel **4**.

c:



d: Screw Locking pins **E** into the Right panel **1**.

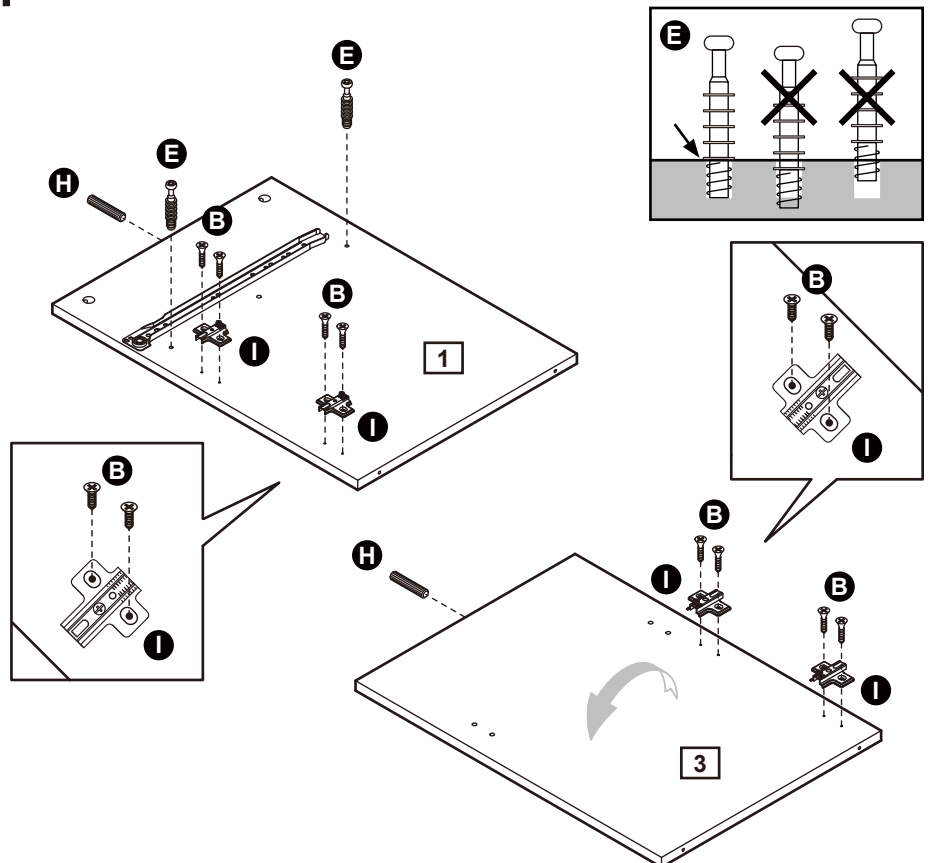
Note: Insert locking pins as far as shown.

Do not over tighten.

Use Screws **B** to fix the Door hinges **I** 'back plates' onto the Right panel **1** and Middle right panel **3**.

Insert Dowels **H** into the Right panel **1** and Middle right panel **3**.

d:



Note: Repeat door hinge fixing on reverse side.

Assembly Instructions

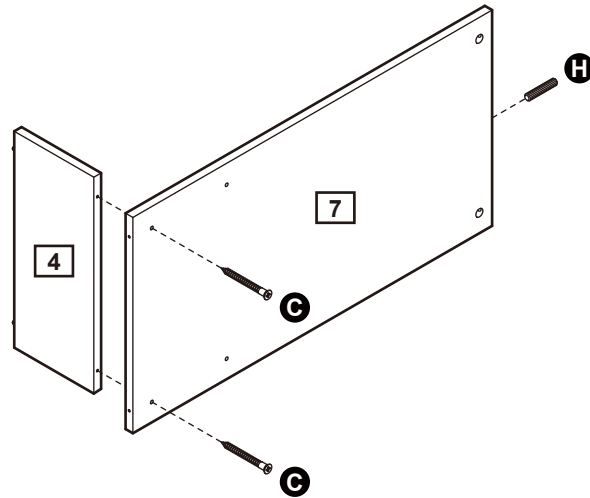
Step 2

Attaching the middle shelf panel

a: Use Screws **C** to fix Left shelf **7** onto the Middle panel **4**.

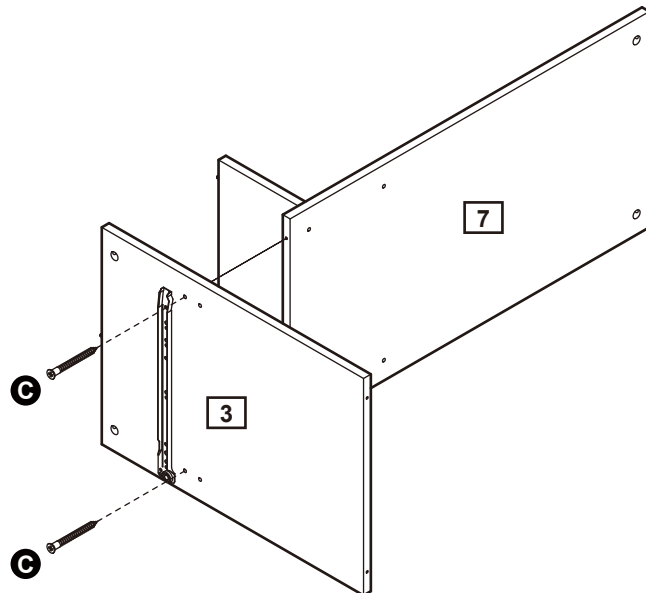
Insert Dowels **H** into the Left shelf **7**.

a:



b: Use Screws **C** to fix Middle right panel **3** onto the Left shelf **7**.

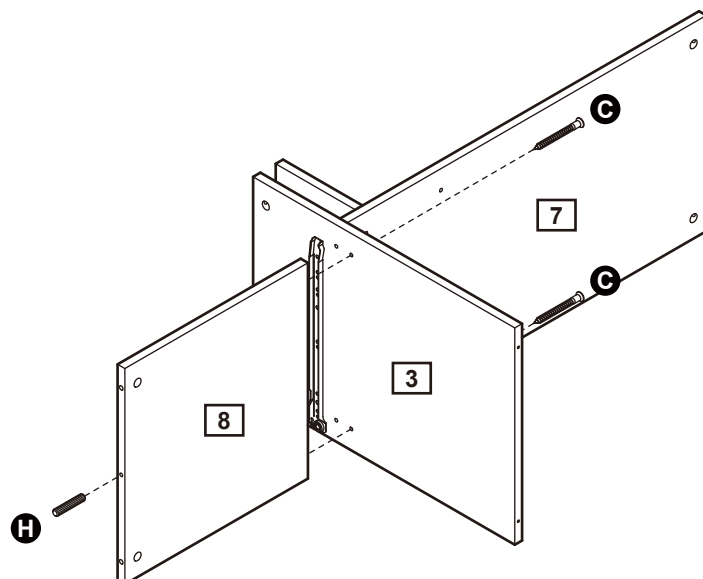
b:



c: Use Screws **C** to fix Right shelf **8** onto the Middle right panel **3**.

Insert Dowels **H** into the Right shelf **8**.

c:



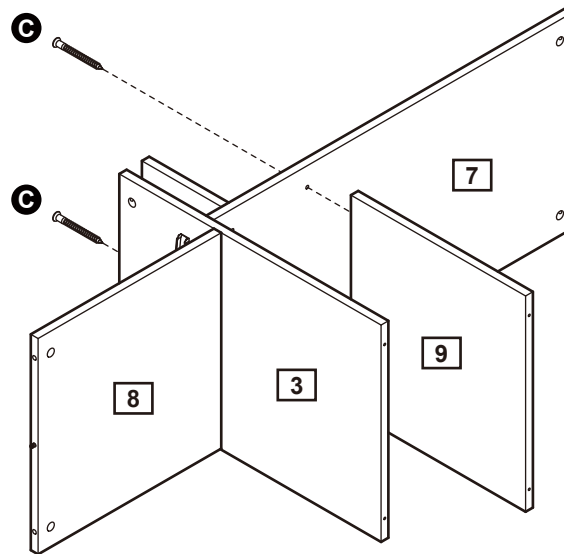
Continued on next page.

Assembly Instructions

Step 2 - continued

d: Use Screws **C** to fix Middle left panel **9** onto the Left shelf **7**.

d:



Step 3

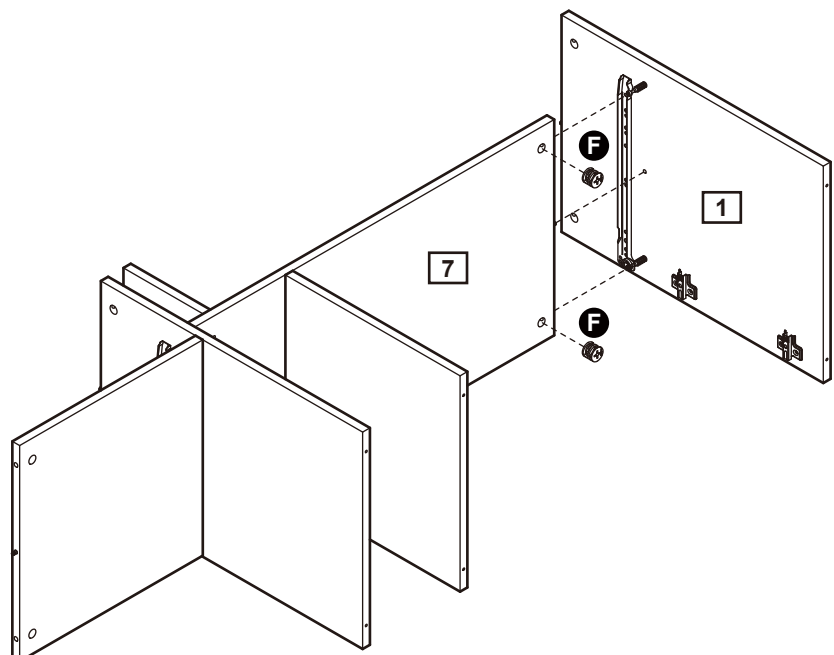
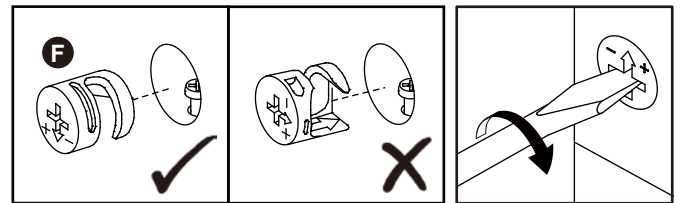
Attaching the left and right panel

a: Carefully locate the Right panel **1** onto the Left shelf **7**.

Insert 2 Locking nuts **F** into the Left shelf **7**.

Use a screwdriver to turn Locking nuts **F** clockwise to lock.

a:



Continued on next page.

Assembly Instructions

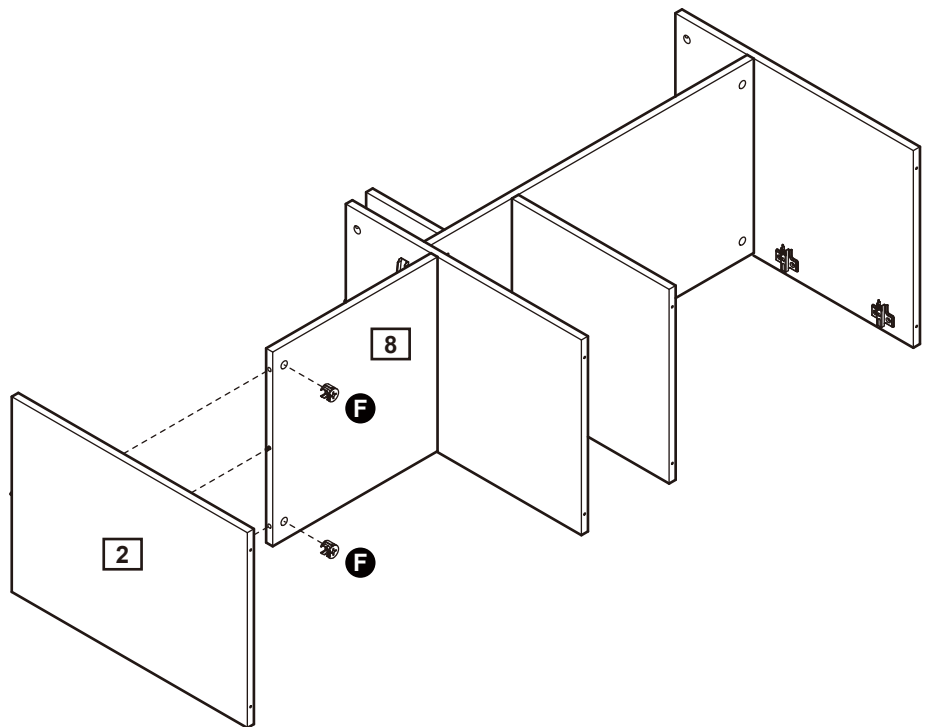
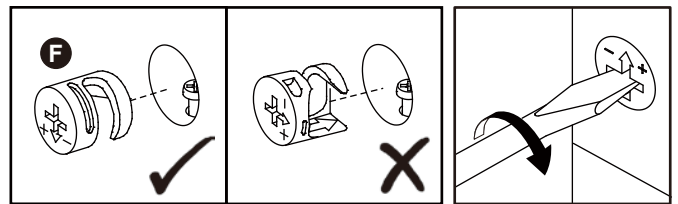
Step 3 - continued

b: Carefully locate the Left panel **2** onto the Right shelf **8**.

Insert 2 Locking nuts **F** into the Right shelf **8**.

Use a screwdriver to turn Locking nuts **F** clockwise to lock.

b:



Step 4

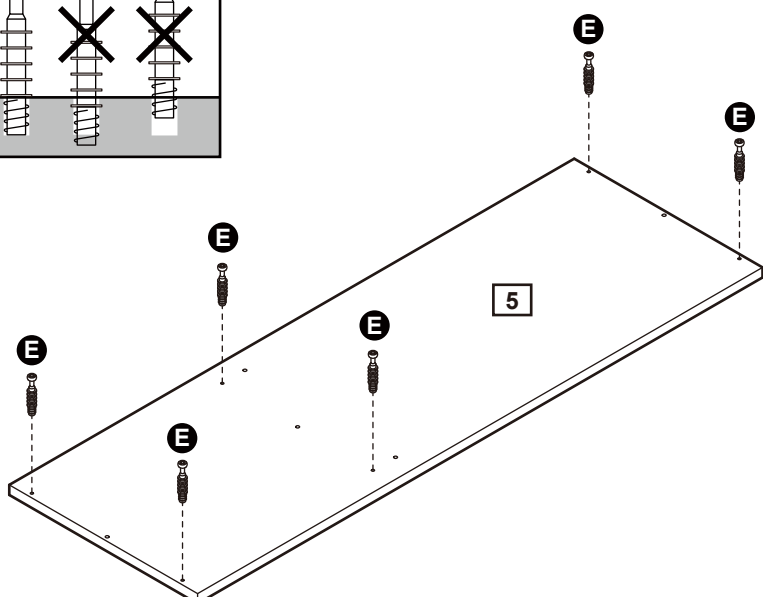
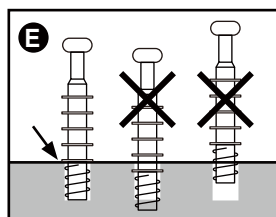
Attaching top panel

a: Screw Locking pins **E** into the Top panel **5**.

Note: Insert locking pins as far as shown.

Do not over tighten.

a:



Continued on next page.

Assembly Instructions

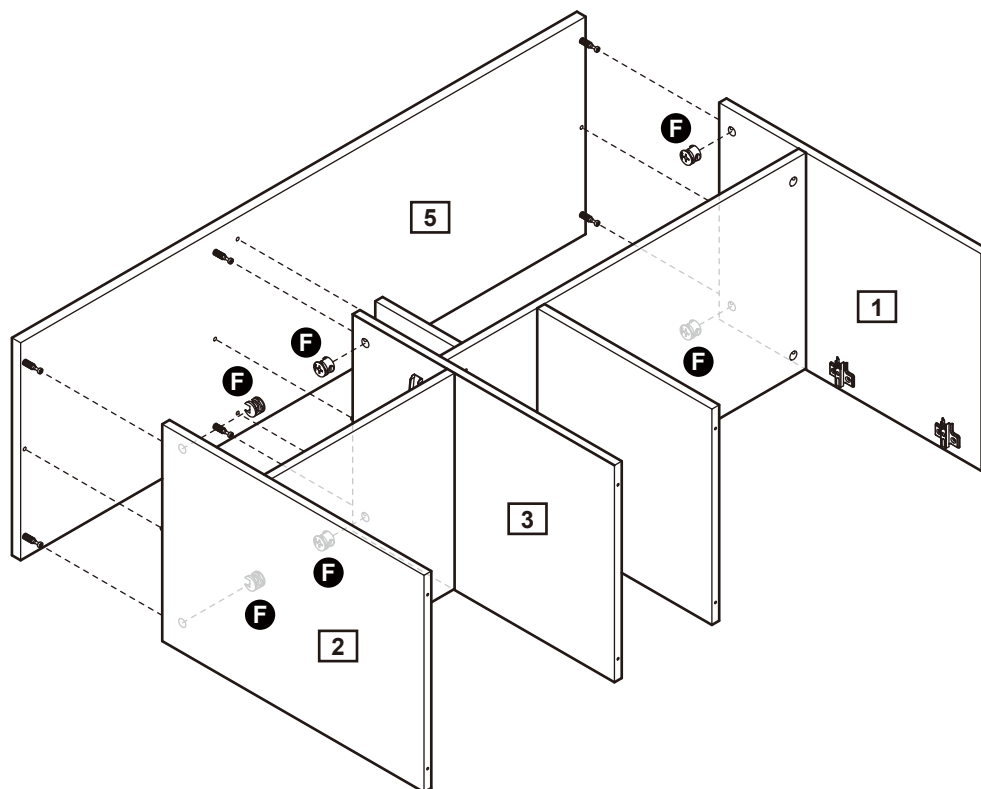
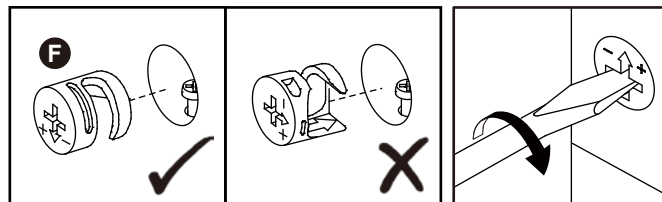
Step 4 - continued

b: Carefully locate the Top panel **5** onto the unit.

Insert 6 Locking nuts **F** into the unit.

Use a screwdriver to turn Locking nuts **F** clockwise to lock.

b:

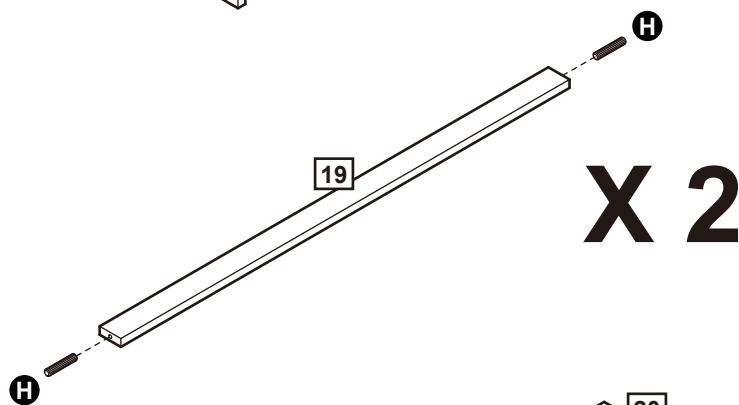


Step 5

Attaching bottom panel

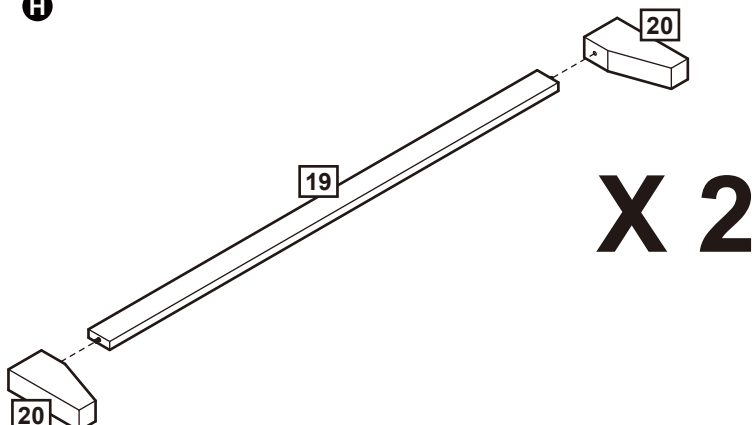
a: Insert Dowels **H** into the Front bottom panel **19**.

a:



b: Position Legs **20** onto the Front bottom panel **19**.

b:

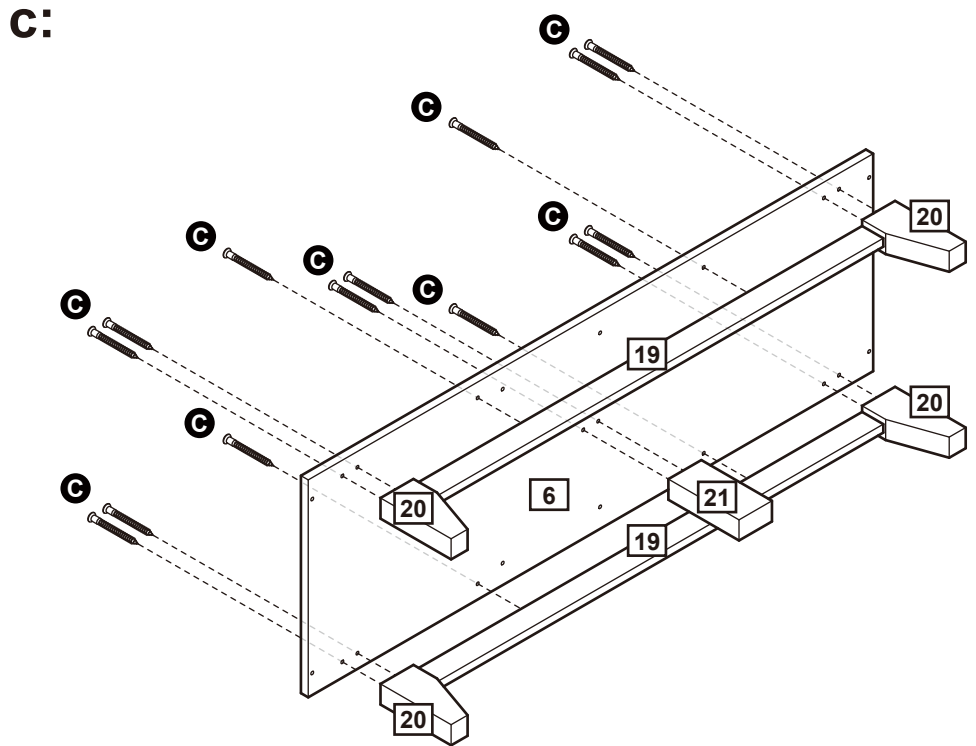


Continued on next page.

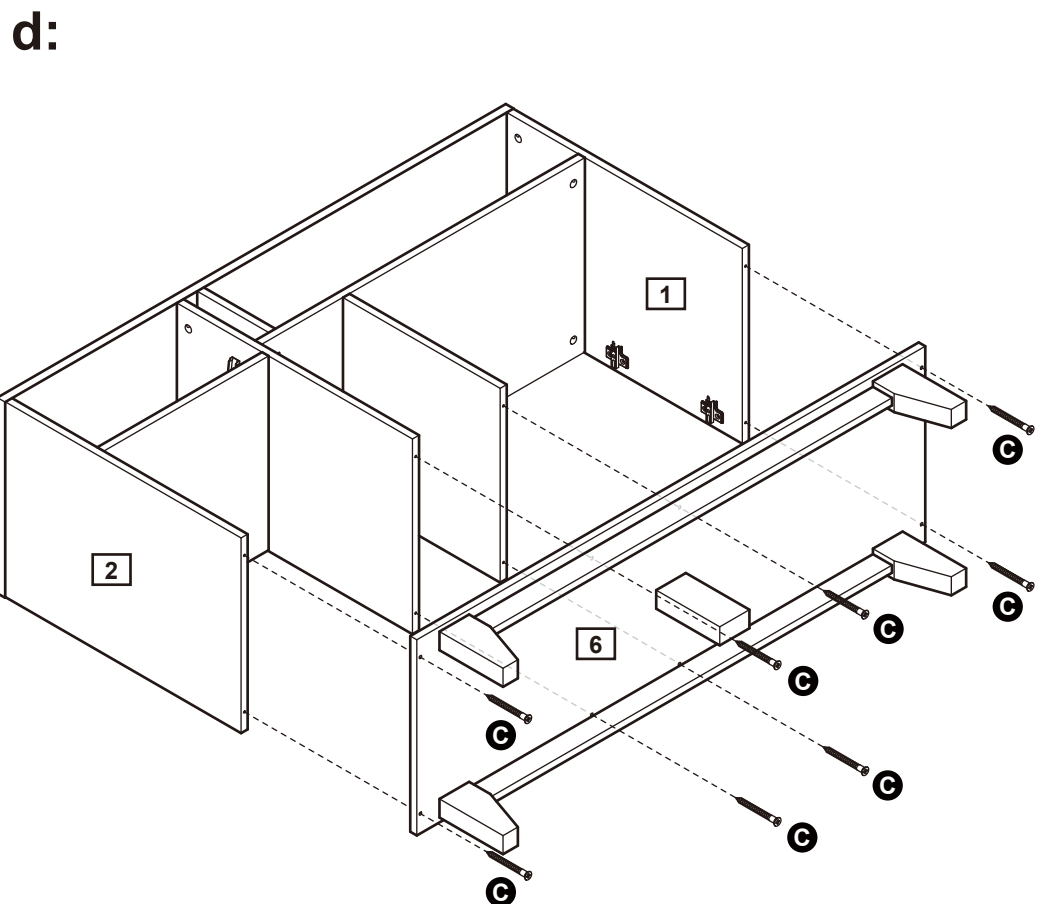
Assembly Instructions

Step 5 - continued

c: Use 14 Screws **C** to fix Front bottom panel **19**, Legs **20** and Bottom support **21** onto the Bottom panel **6**.



d: Use 8 Screws **C** to fix Bottom panel **6** onto the unit.



Assembly Instructions

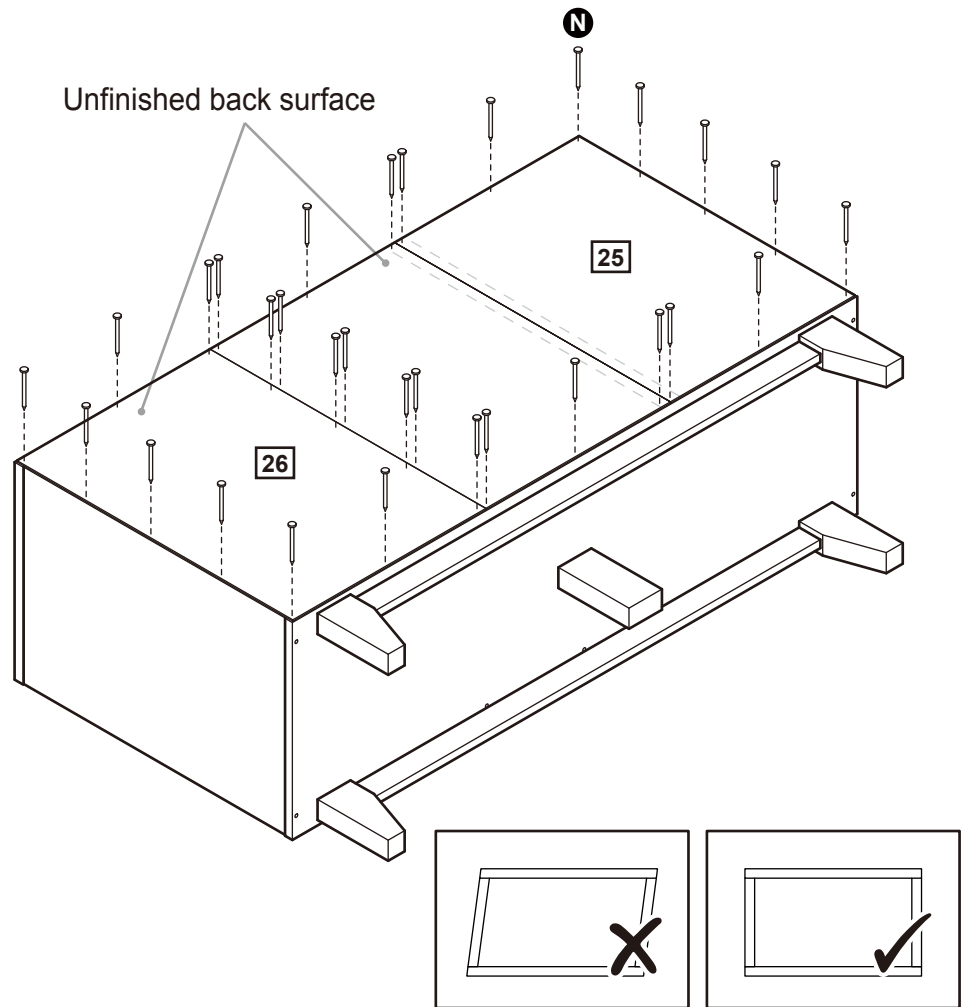
Step 6

Fixing back panels

Attach Small back panel **26** and Large back panel **25** using nails **N**.



Important:
The unit **MUST** be 'square' when back is attached.



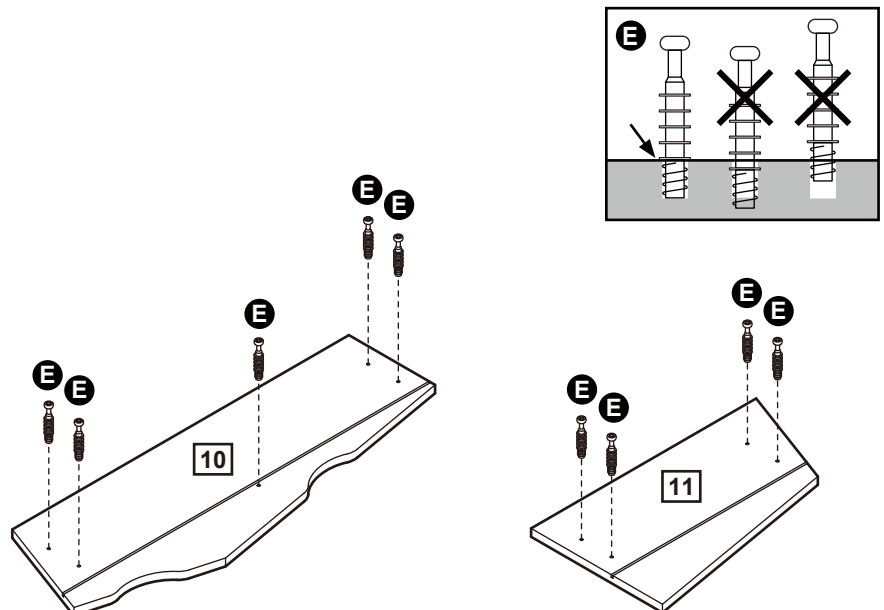
Step 7

Drawer assembly

a: Screw Locking pins **E** into the Large drawer front **10** and Small drawer front **11**.

Note: Insert locking pins as far as shown.
Do not over tighten.

a:



Continued on next page.

Assembly Instructions

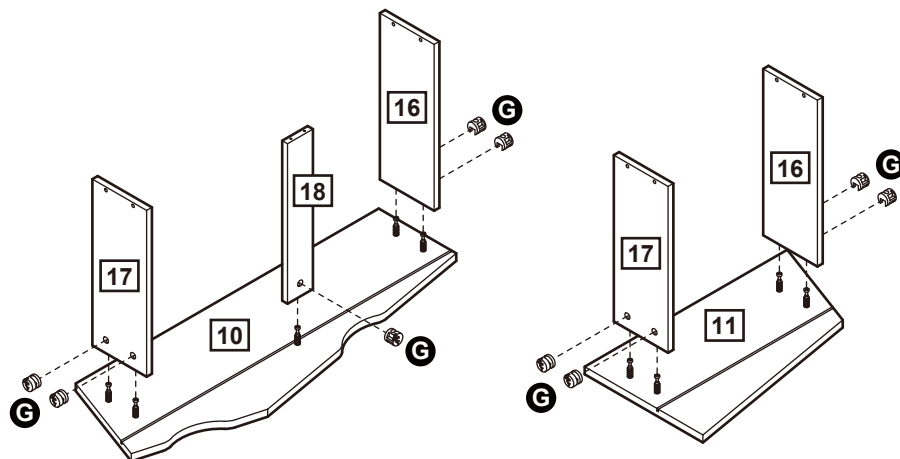
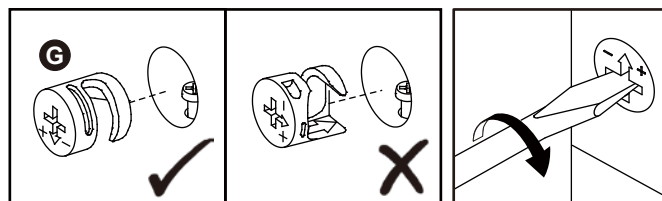
Step 7 - continued

b: Fix Drawer right **17**, Drawer left **16** and Drawer support **18** on to Large drawer front **10** and Small drawer front **11**.

Insert 9 Locking nuts **G** into the Drawer right **17**, Drawer left **16** and Drawer support **18**.

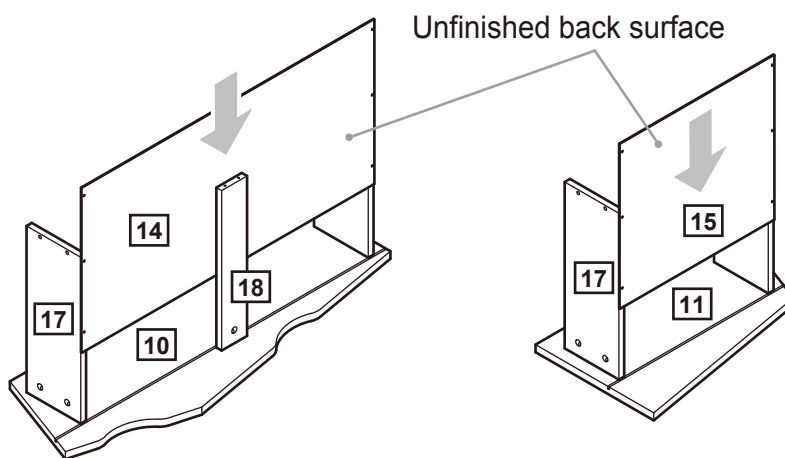
Use a screwdriver to turn Locking nuts **G** clockwise to lock.

b:



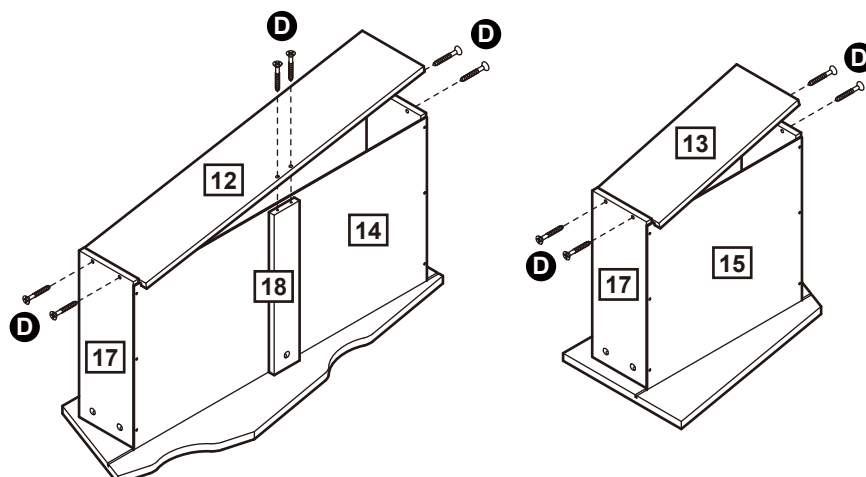
c: Carefully slide the Large drawer bottom **14** and Small drawer bottom **15** into the grooves.

c:



d: Position the Large drawer back **12** and Small drawer back **13** onto the unit using Screws **D**.

d:

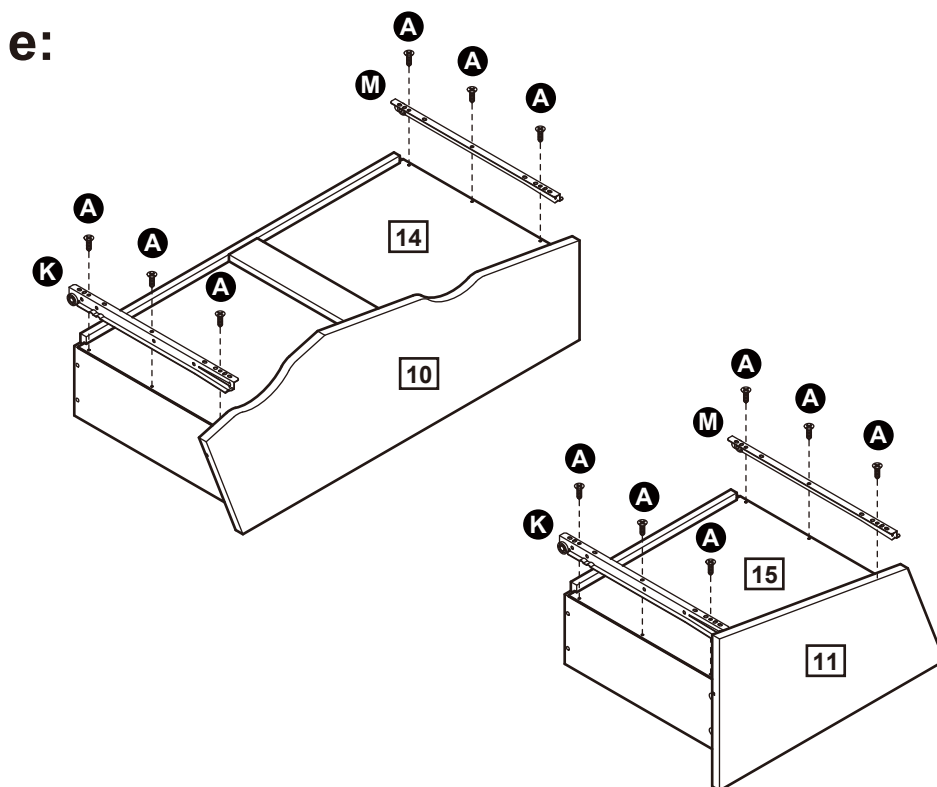


Continued on next page.

Assembly Instructions

Step 7 - continued

e: Use Screws **A** to fix the Left inside runners **M** and Right inside runners **K** onto the unit.



Step 8

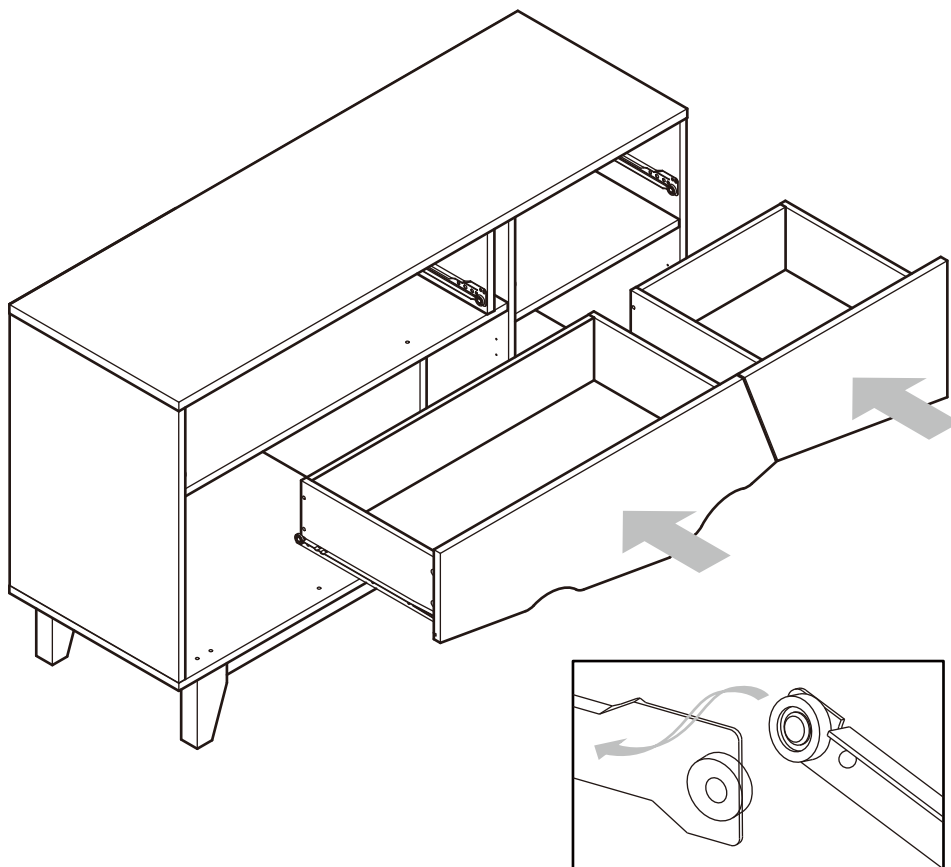
Inserting drawers

With help, carefully stand unit upright.



Warning:
The unit is heavy.
Lift with care.

Slide the assembled drawers fully onto runners.



Assembly Instructions

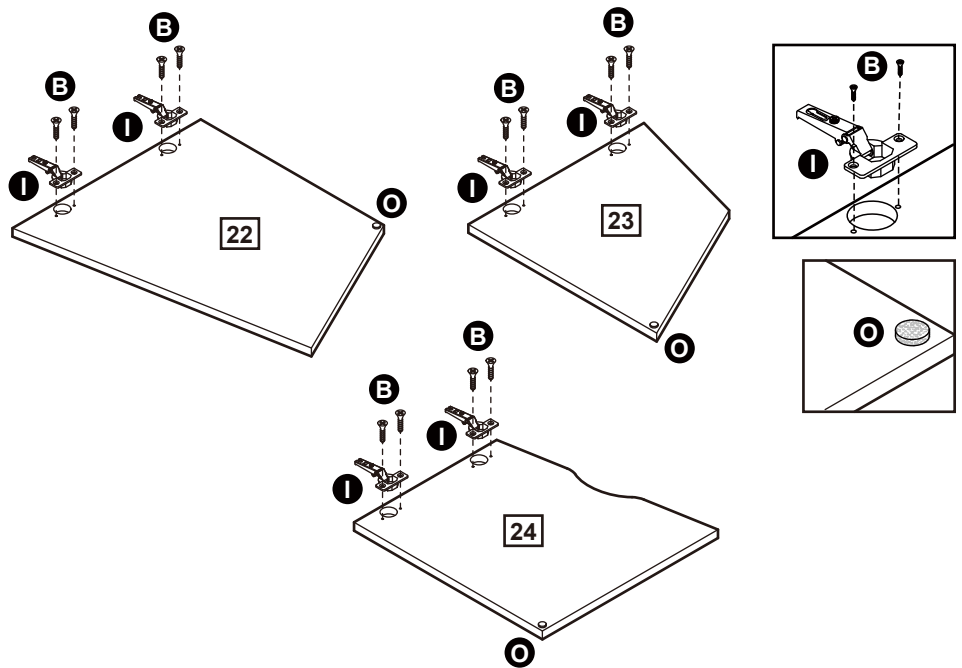
Step 9

Attaching hinges to doors

Fix 6 Door hinges **I** to Left door panel **22**, Middle door panel **23** and Right door panel **24** using Screws **B**.

Tear off the protective backing from the Door Pads **O**.

Carefully stick the Door pads **O** onto the Left door panel **22**, Middle door panel **23** and Right door panel **24**.



Step 10

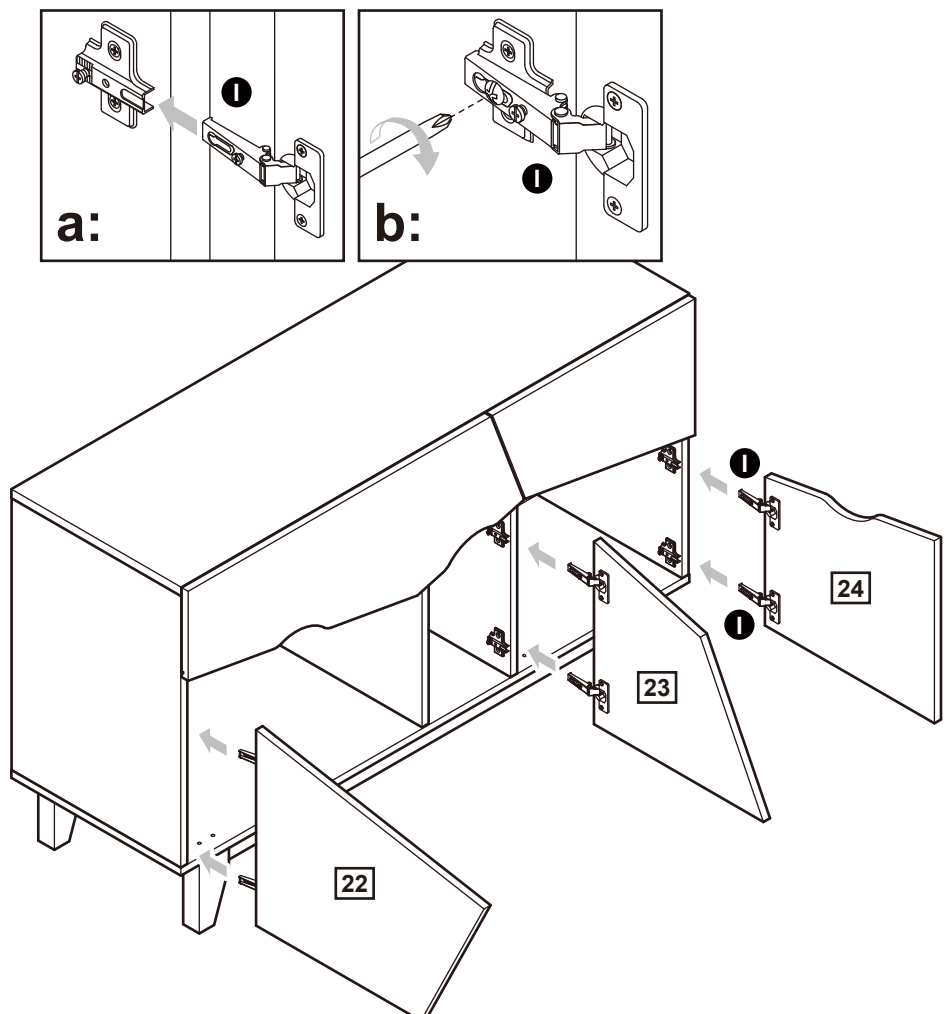
Hanging doors

a: With help, slot Door hinges **I** onto 'hinge plates'.

b: Tighten screw shown to lock hinges in position.

Repeat **a** and **b** for opposite door.

See 'Hinge adjustment' in step 11 if the doors need adjusting.



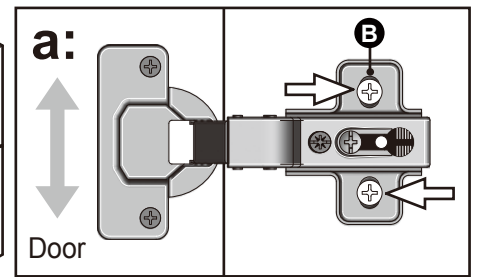
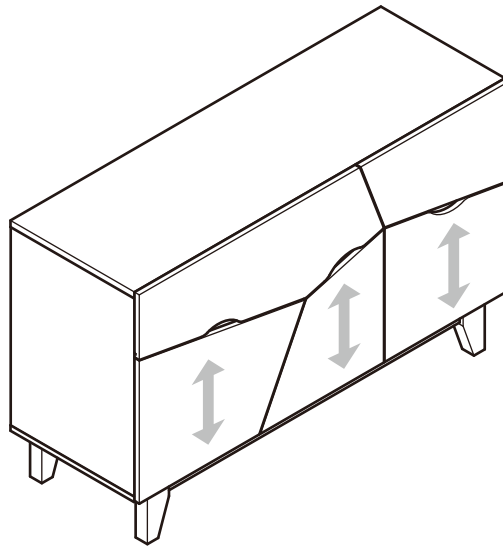
Assembly Instructions

Step 11

Hinge adjustment

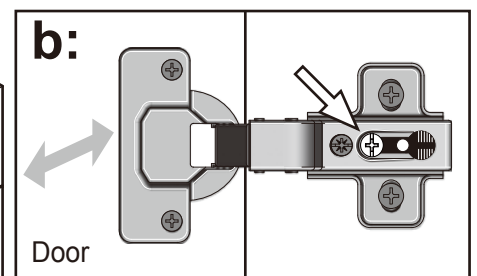
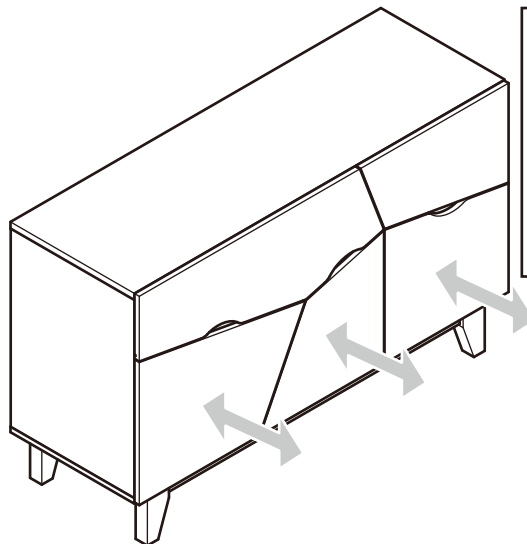
a: To move doors up or down: loosen screws shown and move doors to suit.

Once doors are aligned, re-tighten Screws **B**.



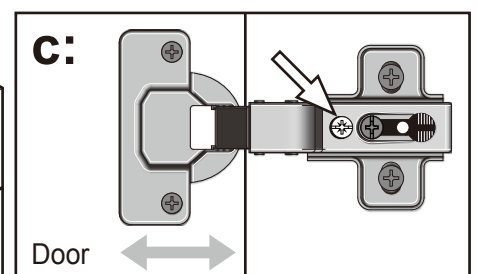
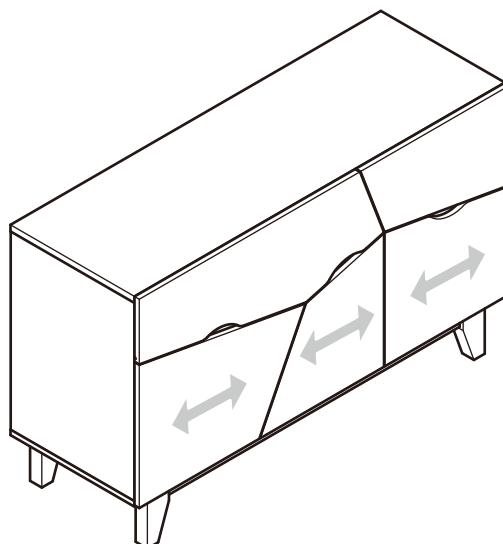
b: To move doors in or out: loosen screw shown and move doors to suit.

Re-tighten screws.



c: To move doors left or right: loosen screw shown and move doors to suit.

Re-tighten screws.



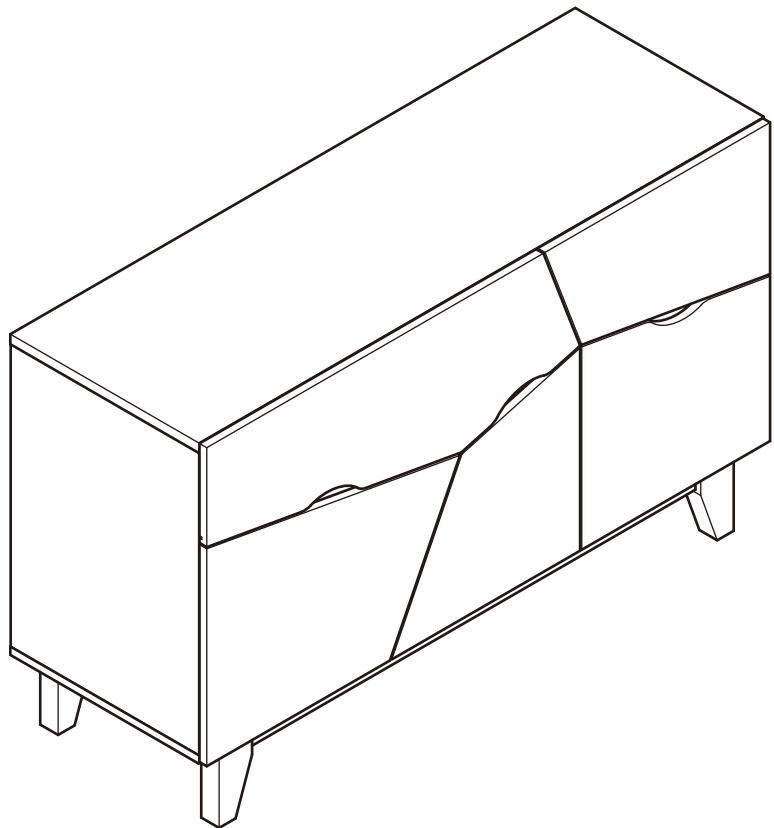
Assembly Instructions

Step 12

Finishing the unit

Note: It would be useful to ask someone to help you at this stage.

With help, place the unit in the intended position.



Assembly is complete.

If you need help or have damaged or missing parts, call the **Customer Helpline:**
Argos = 0345 6400800