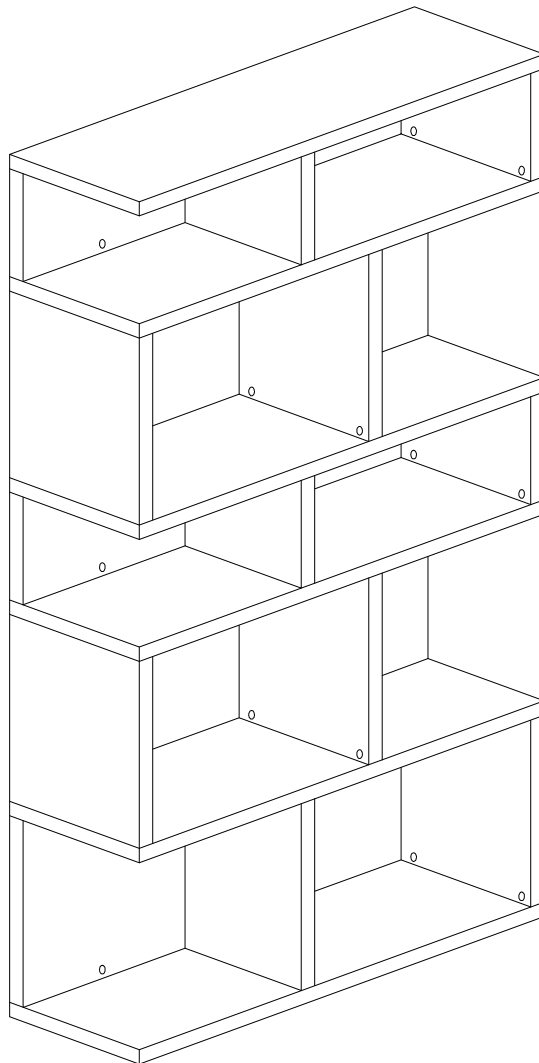


# HYGENA TUNBRIDGE DISPLAY UNIT

Assembly Instruction - Please keep for future reference

453/3614

## hygena



### Dimensions

Width: 90cm  
Depth: 28.8cm  
Height: 180cm

**Important – Please read these instructions fully before starting assembly**

If you need help or have damaged or missing parts, call the Customer Helpline:  
Argos = 0345 6400800



## Safety and Care Advice

### Important - Please read these instructions fully before starting assembly

- Check you have all the components and tools listed on page.
- Remove all fittings from the plastic bags and separate them into their groups.
- Keep children and animals away from the work area, small parts could choke if swallowed.
- Make sure you have enough space to lay out the parts before starting.

- During assembly do not stand or put weight on the product, this could cause damage.
- Assemble the item as close to its final position (in the same room) as possible.
- Assemble on a soft, level surface to avoid damaging the unit or your floor.
- Parts of the assembly will be easier with 2 people.



- To reduce the likelihood of damaging your product please ensure that your power drill is set on a low torque setting.

### Glue safety - Take care when using glue, please follow the advice below

**Skin Contact :** Remove contamination by washing with soap and water. This procedure should also be followed prior to eating and drinking.

**Eye Contact :** Rinse immediately with clean water 15 minutes and seek medical advice.

**If swallow :** Seek medical advice immediately.

### Care and maintenance

• Only clean using a damp cloth and mild detergent, do not use bleach or abrasive cleaners.

• From time to time check that there are no loose screws on this unit.

• This product should not be discarded with household waste. Take to your local authority waste disposal centre.

### Handy Hints

• Assemble all parts and bolts loosely during assembly, only once the product complete should you fully tighten the bolts.

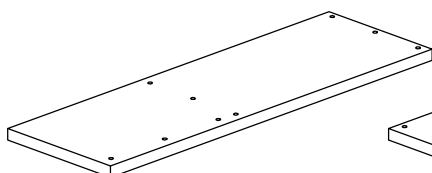
• Regularly check and ensure that all bolts and fittings are tightend properly.

Note : if required the next page can be cut out and used as reference throughout the assembly. Keep this page with these instructions for future reference.

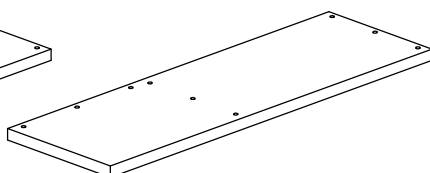
# Components - Panels

If you need help or have damaged or missing parts, call the Customer Helpline:  
Argos = 0345 6400800

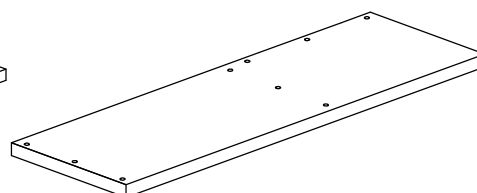
Please check you have all the panels listed below



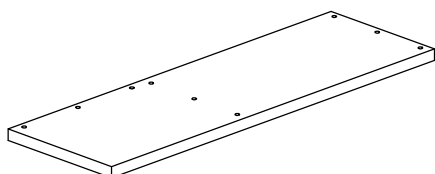
**A** TOP PANEL ( x1 )  
( 90(w)cm x 28.8(d) cm )



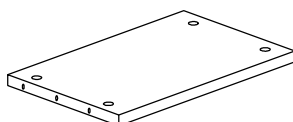
**B** CENTRE PANEL (A) ( x2 )  
( 90(w)cm x 28.8(d) cm )



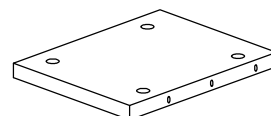
**C** CENTRE PANEL (B) ( x2 )  
( 90(w)cm x 28.8(d) cm )



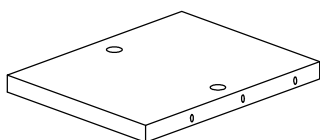
**D** BOTTOM PANEL ( x1 )  
( 90(w)cm x 28.8(d) cm )



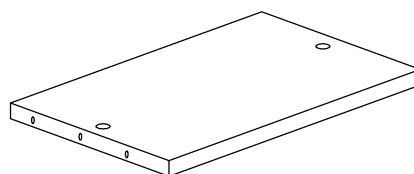
**E** CENTRE SUPPORT-BIG ( x6 )  
( 39(w)cm x 28.7(d) cm )



**F** TOP SUPPORT-SMALL ( x4 )  
( 22.5(w)cm x 28.7(d) cm )



**G** BACK SUPPORT-SMALL ( x2 )  
( 22.5(w)cm x 35.8(d) cm )


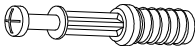

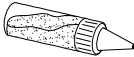

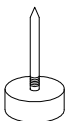
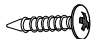



**H** BACK SUPPORT-BIG ( x3 )  
( 39(w)cm x 35.8(d) cm )

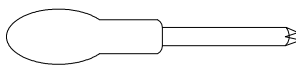
# Components - Fittings

Please check you have all the fittings listed below

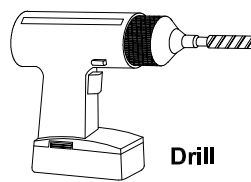
Note : The quantities below are the correct amount to complete the assembly. In some cases more fittings may be supplied than are required.

<p><b>1</b></p>  <p>Dia.15mm - Camlock x 50</p>	<p><b>2</b></p>  <p>32mm - Quikfit x 50</p>	<p><b>3</b></p>  <p>Dia.8mm x 30mm - Quikfit x 40</p>	<p><b>4</b></p>  <p>Glue 10cc x 2</p>
<p><b>5</b></p>  <p>Dia.15mm - Hole Plug x 50</p>	<p><b>6</b></p>  <p>Leg Stud x 6</p>	<p><b>7</b></p>  <p>Screw M4 x 16mm x 2</p>	<p><b>8</b></p>  <p>Wall Straps x 2</p>

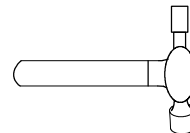
## Tools required



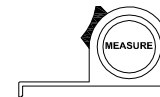
Philips screwdriver  
(medium & large)



Drill

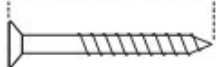


Small hammer



Ruler / tape  
measure

## Ruler - Use this ruler to help correctly identify the screws

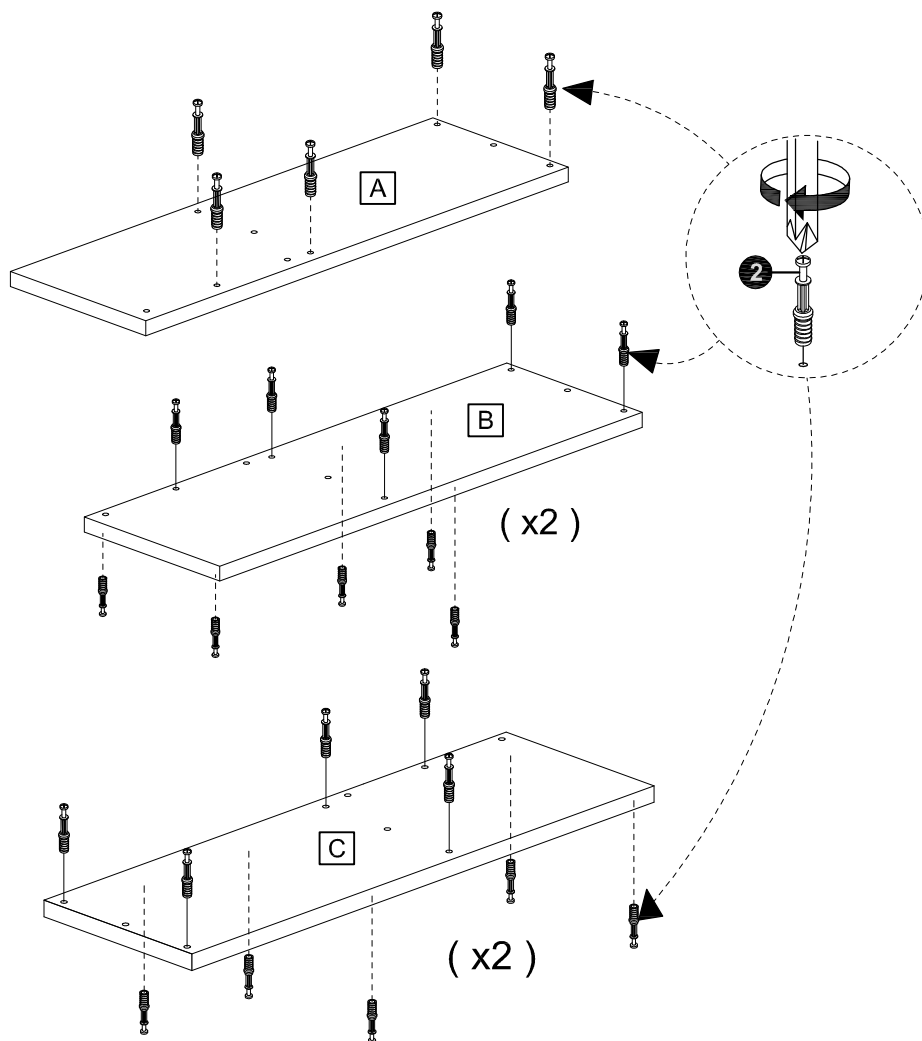


The screws length is measured from the head to the point (30mm screw shown).

# Assembly Instructions

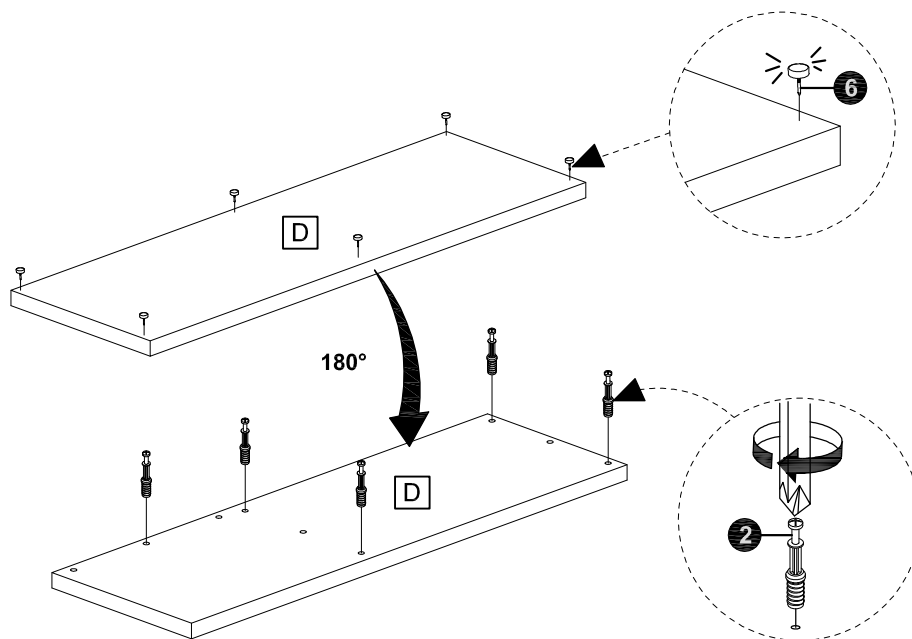
## Step 1

Screws 45 x quickfit **2** into panel **A** x 1, **B** x 2, **C** x 2 as shown. Tighten until shoulder is flush with panel.



## Step 2

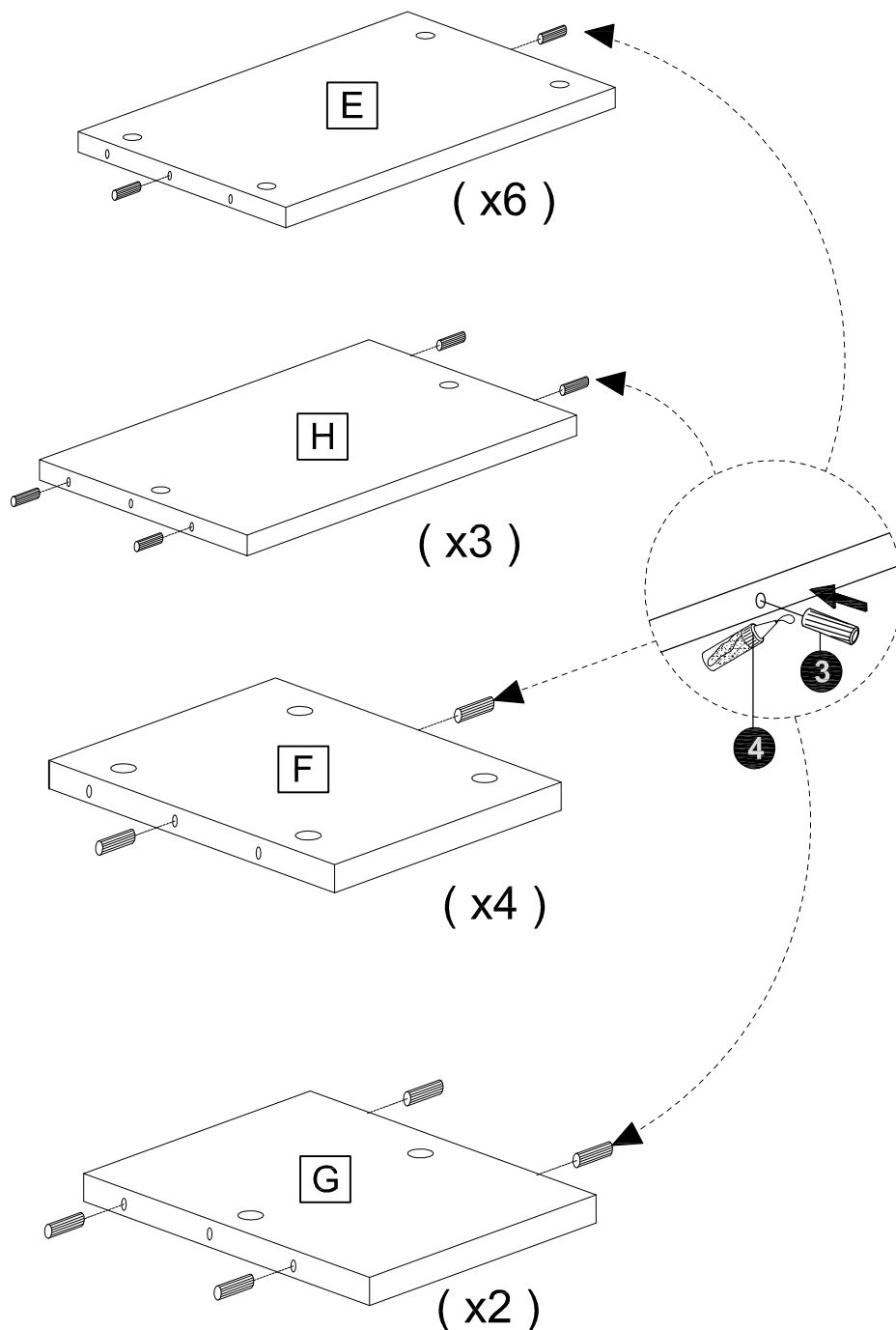
Nail 6 x Leg stud **6** into panel **D**. Turn panel 180° to Screws 5 x quickfit **2**. Tighten until shoulder is flush with panel.



# Assembly Instructions

## Step 3

Apply a small amount of glue **4** at the end of the dowel before inserting 40 x Dowel **3** into panel **E** x 6, **F** x 4, **G** x 2, **H** x 3 as shown.



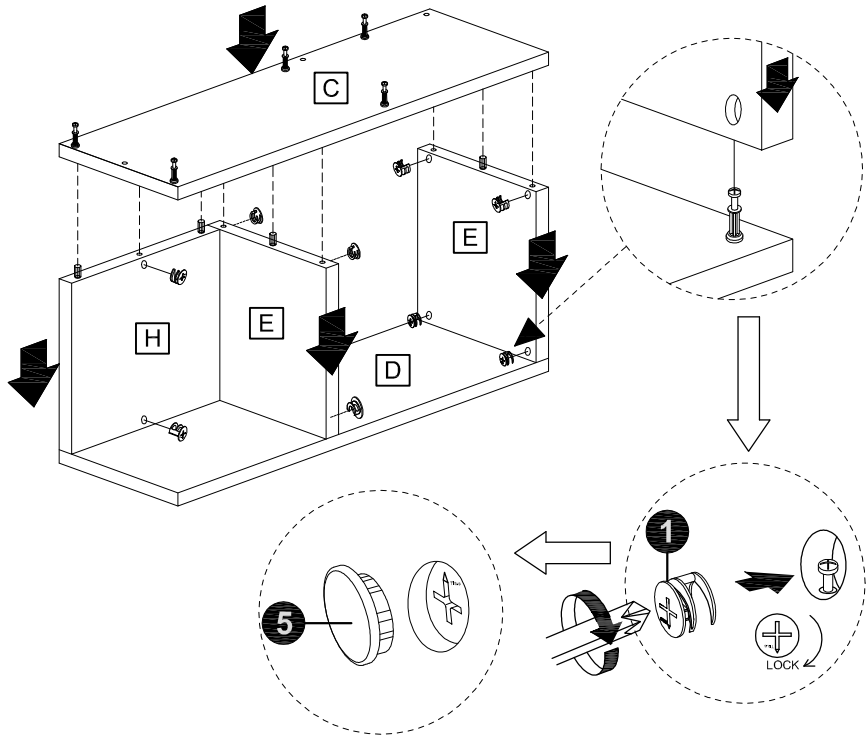
# Assembly Instructions

## Step 4

Locate panel **E** x 2 and panel **H** x 1 to panel **D**. Connect 5 x quickfit **2** with 5 x camlock **1** using philips screw driver as shown.

Repeat step above to fix panel **C** x 1 using 5 x quickfit **2** with 5 x camlock **1** to fix the panel.

After all fixed, attach 10 x hole plug **5** to 10 x camlock **1**

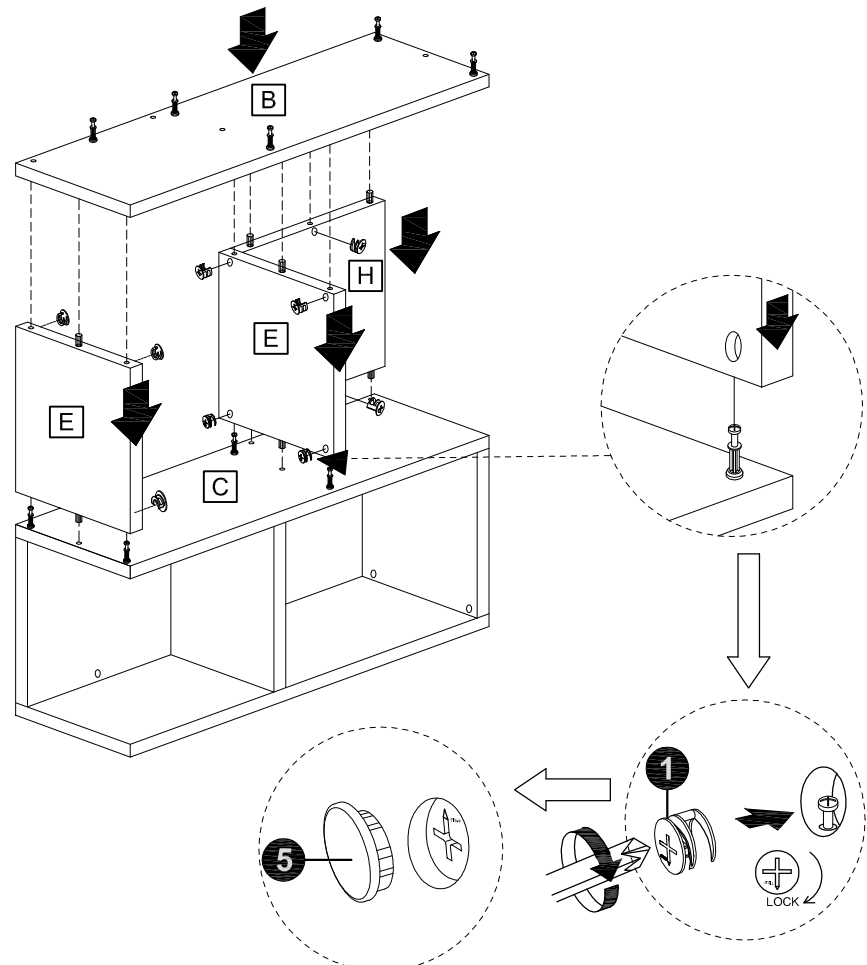


## Step 5

Locate panel **E** x 2 and panel **H** x 1 to panel **C**. Connect 5 x quickfit **2** with 5 x camlock **1** using philips screw driver as shown.

Repeat step above to fix panel **B** x 1 using 5 x quickfit **2** with 5 x camlock **1** to fix the panel.

After all fixed, attach 10 x hole plug **5** to 10 x camlock **1**



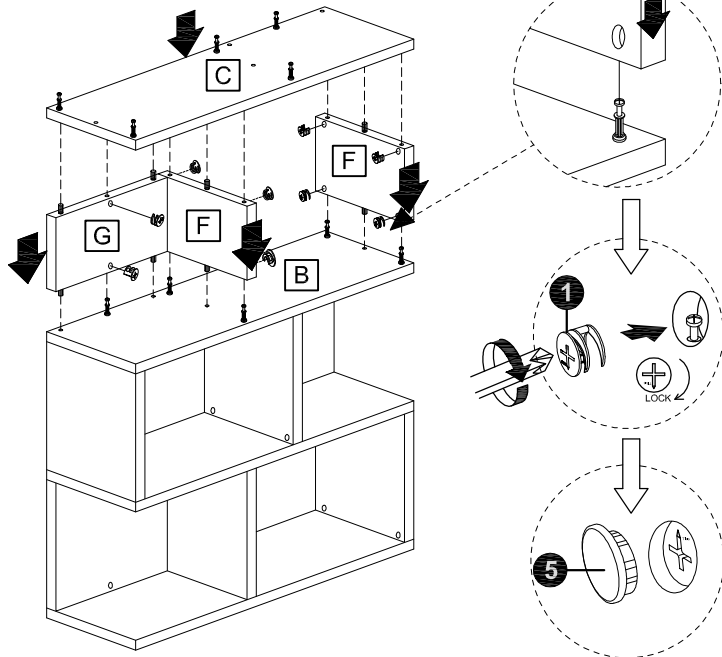
# Assembly Instructions

## Step 6

Locate panel **F** x 2 and panel **G** x 1 to panel **B**. Connect 5 x quickfit **2** with 5 x camlock **1** using philips screw driver as shown.

Repeat step above to fix panel **C** x 1 using 5 x quickfit **2** with 5 x camlock **1** to fix the panel.

After all fixed, attach 10 x hole plug **5** to 10 x camlock **1**

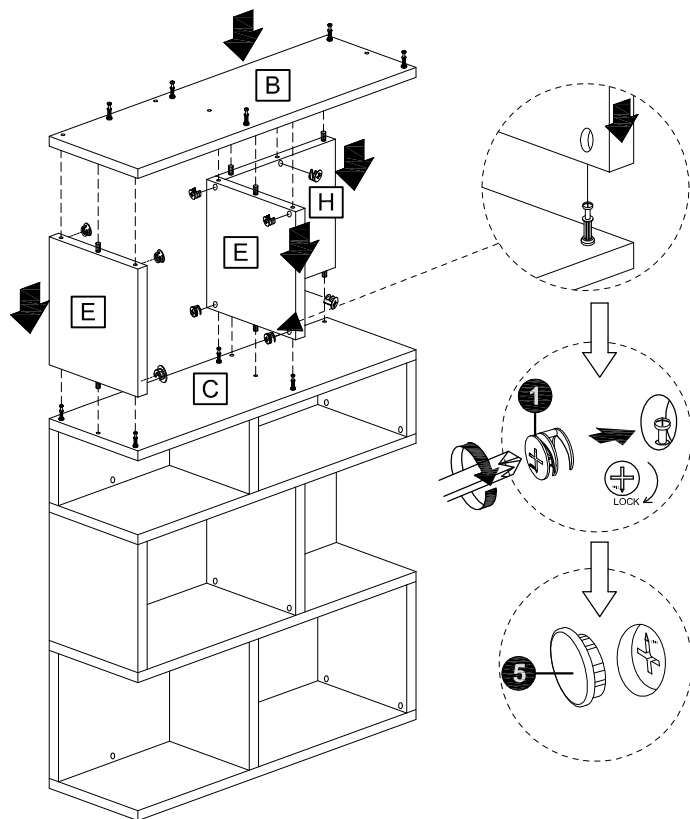


## Step 7

Locate panel **E** x 2 and panel **H** x 1 to panel **C**. Connect 5 x quickfit **2** with 5 x camlock **1** using philips screw driver as shown.

Repeat step above to fix panel **B** x 1 using 5 x quickfit **2** with 5 x camlock **1** to fix the panel.

After all fixed, attach 10 x hole plug **5** to 10 x camlock **1**





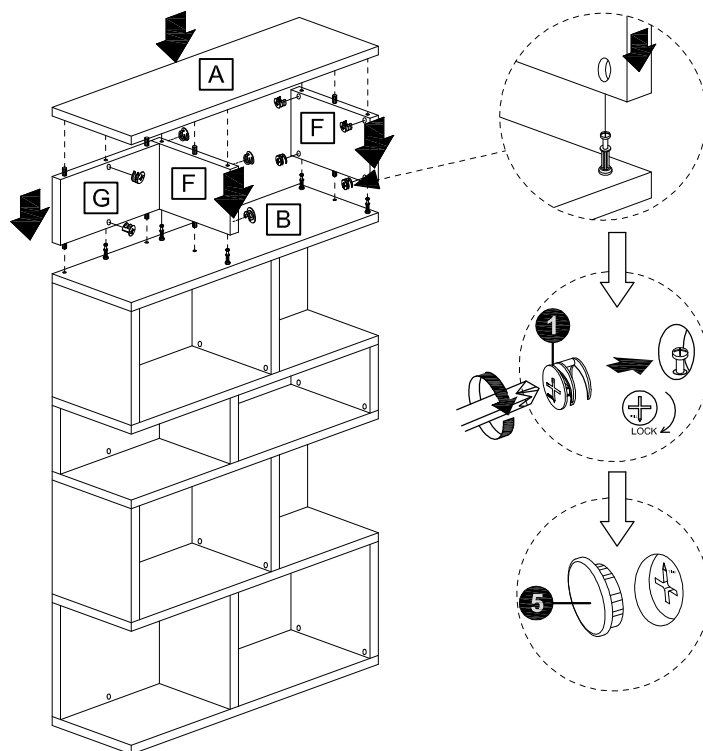
# Assembly Instructions

## Step 8

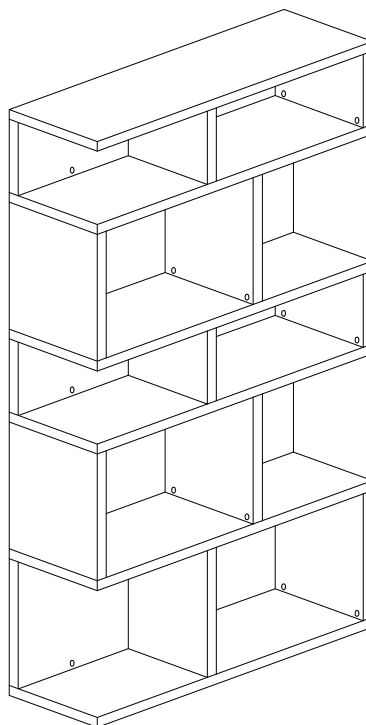
Locate panel **F** x 2 and panel **G** x 1 to panel **B**. Connect 5 x quickfit **2** with 5 x camlock **1** using philips screw driver as shown.

Repeat step above to fix panel **A** x 1 using 5 x quickfit **2** with 5 x camlock **1** to fix the panel.

After all fixed, attach 10 x hole plug **5** to 10 x camlock **1**



## Step 9



# Assembly Instructions

## Step 10

Insert screws **7** into bracket **8** into pre-drilled holes in cabinet.

Make a mark on the wall through the bracket hole. Drill a hole in the wall and insert the rawl plug.

Insert screw through bracket into hole in wall.

This step should require the tools of drill / small hammer the cabinet.

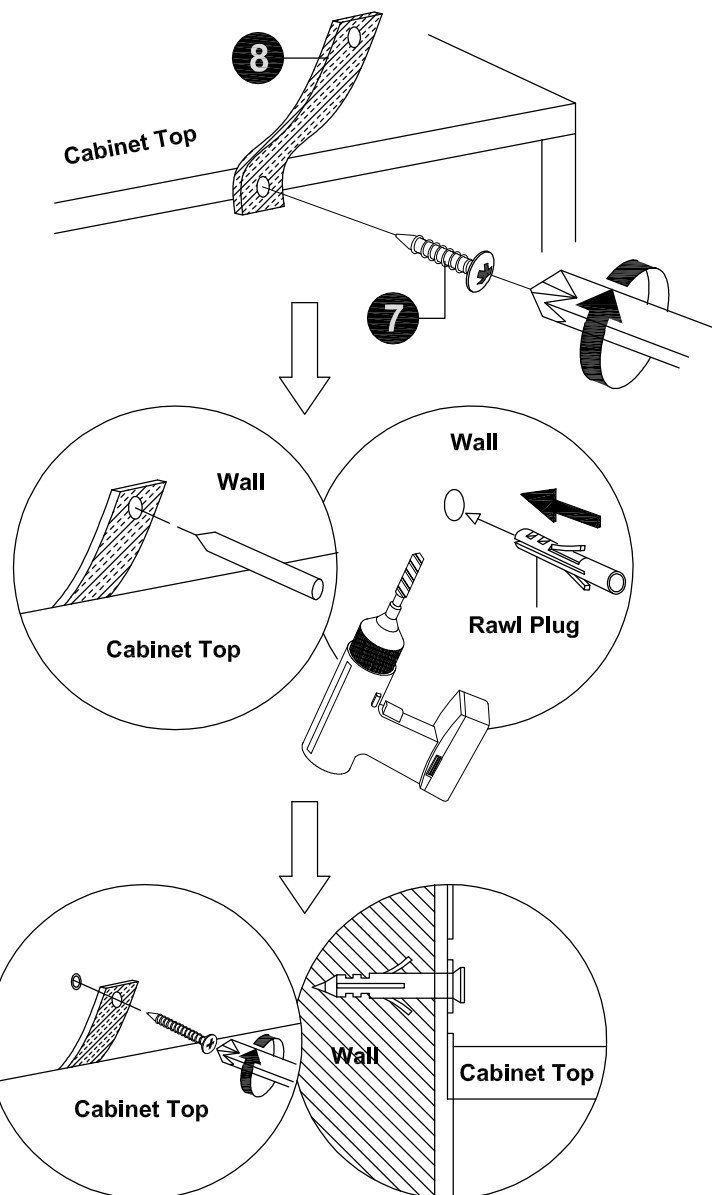
With help, move cabinet into position.



Warning:  
The cabinet is heavy.  
Lift with care.



Warning:  
Before drilling,  
check wall for  
hidden pipes  
and cables.



### Wall fixing instruction

Due to the great variety of wall construction and surface finishes wall fixings are not supplied with this product. Please assess the wall where you wish to fix the unit and purchase the necessary fixings, if in doubt seek expert advice from your local DIY store. Then you should proceed as follows;

1. Ensure the wall is clean & sound.
2. Mark the desired position of the accessory with a pencil, use a spirit level if required, to ensure it is level.
3. Use the correct drill bit for the type of wall (ensure you do not drill into electrical cables/water pipes), NB a special drill is required for ceramic tiles.

Assembly is complete.

If you need help or have damaged or missing parts, call the Customer Helpline:  
Argos = 0845 6400800.