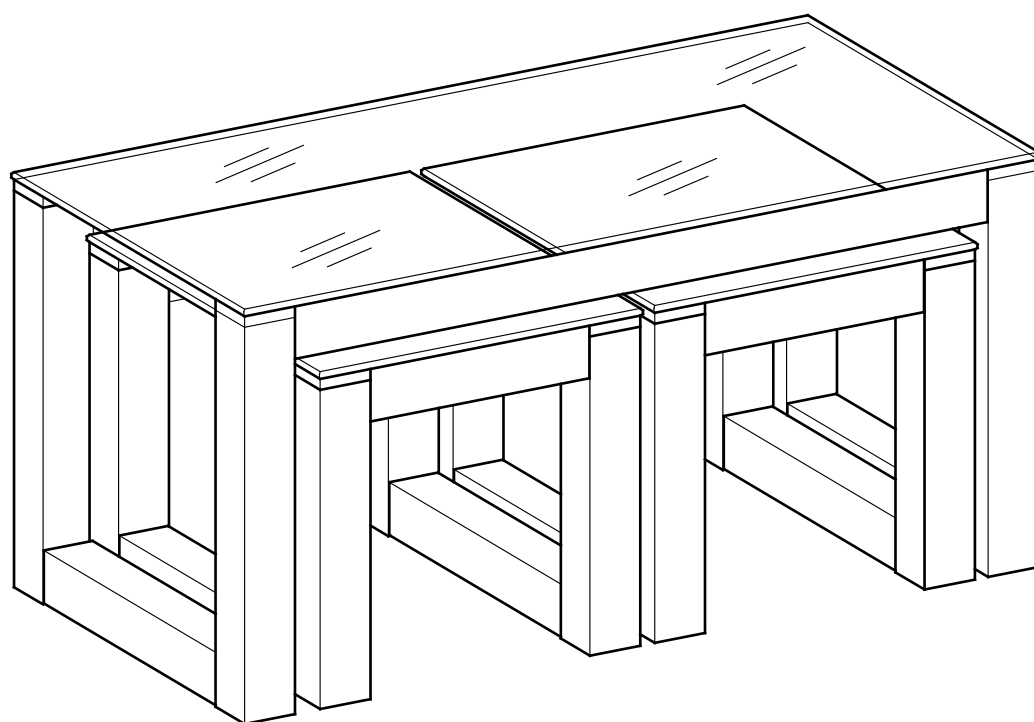


# Hygena Cubic Wood/Glass Coffee/Nest

Assembly Instructions - Please keep for future reference

453/1939D



## Dimensions

Width - 95cm

Depth - 48cm

Height - 45.6cm

**Important** – Please read these instructions fully before starting assembly

If you need help or have damaged or missing parts, call the Customer Helpline: 03456 400800



# Safety and Care Advice

**Important** – Please read these instructions fully before starting assembly

- Check you have all the components and tools listed on pages 2 & 3.
- Remove all fittings from the plastic bags and separate them into their groups.
- Keep children and animals away from the work area, small parts could choke if swallowed.
- Make sure you have enough space to layout the parts before starting.

- Do not stand or put weight on the product, this could cause damage.
- Assemble the item as close to its final position (in the same room) as possible.
- Assemble on a soft level surface to avoid damaging the unit or your floor.
- Parts of the assembly will be easier with 2 people.



- We do not recommend the use of power drill/drivers for inserting screws, as this could damage the unit. Only use hand screwdrivers.
- Dispose of all packaging carefully and responsibly.

**Glass safety** – Take care when handling glass, please follow the advice below

- If a glass component is chipped or broken replace with glass of the type described on this instructions. Consult the manufacturer, retailer or agent with regard to obtaining a manufacturing specification and shape for replacement glass quoting the model number, and batch or date of manufacture.

- Do not place very hot or cold items against or in close proximity to the glass surfaces unless adequately thick insulating material is used to prevent such items coming into contact with the glass.
- Do not strike the glass with hard or pointed items.

- When cleaning glass panels or mirrors use a damp cloth or leather with washing up liquid or soft soap if necessary.
- Do not use washing powders or any other substances containing abrasives since these substances scratch glass.

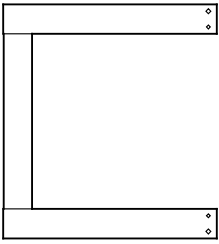
## Care and maintenance

- Only clean using a damp cloth and mild detergent, do no use bleach or abrasive cleaners.
- From time to time check that there are no loose screws on this unit.
- This product should not be discarded with household waste. Take to your local authority waste disposal centre.

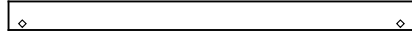
**Note:** if require the next page can be cut out and used as reference throughout the assembly. Keep this page with these instructions for future reference.

# Components - Panels

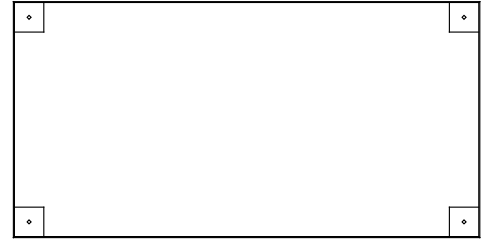
Please check you have all the panels listed below



**1** Large table side frame x 2  
(476 x 435 mm)



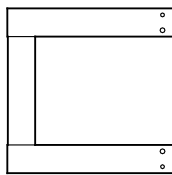
**2** Large table cross bar x 2  
(825 x 58mm)



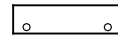
**3** Large table top panel  
(950 x 480 mm)



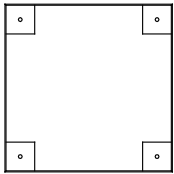
**4** Long bolt x 4  
(438 x 7mm)



**5** Small table side frame x 4  
(347 x 346 mm)



**6** Small table cross bar x 4  
(225 x 58mm)



**7** Small table top panel x 2  
(350 x 350 mm)



**8** Short bolt x 8  
(350 x 7mm)


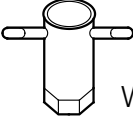
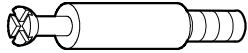
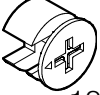


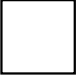


# Components - Fittings

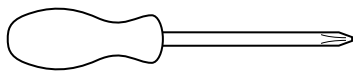
If you have damaged or missing components, call the **Customer Helpline: 03456 400800**

Please check you have all the fittings listed below

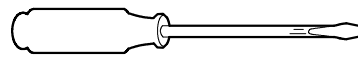
**Note:** The quantities below are the correct amount to complete the assembly. In some cases more fittings may be supplied than are required.

<p><b>A</b> </p> <p>Wood dowel x 12</p>	<p><b>B</b> </p> <p>Wrench x 1</p>	<p><b>C</b> </p> <p>Metal dowel x 12</p>
<p><b>D</b> </p> <p>Metal cam x 12</p>	<p><b>E</b> </p> <p>Nut x 12</p>	<p><b>F</b> </p> <p>Washer x 12</p>
<p><b>G</b> </p> <p>Foot pad x 12</p>		

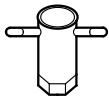
## Tools required



Phillips screwdriver  
(medium & small)



Flatblade screwdriver



Wrench  
(Provided)

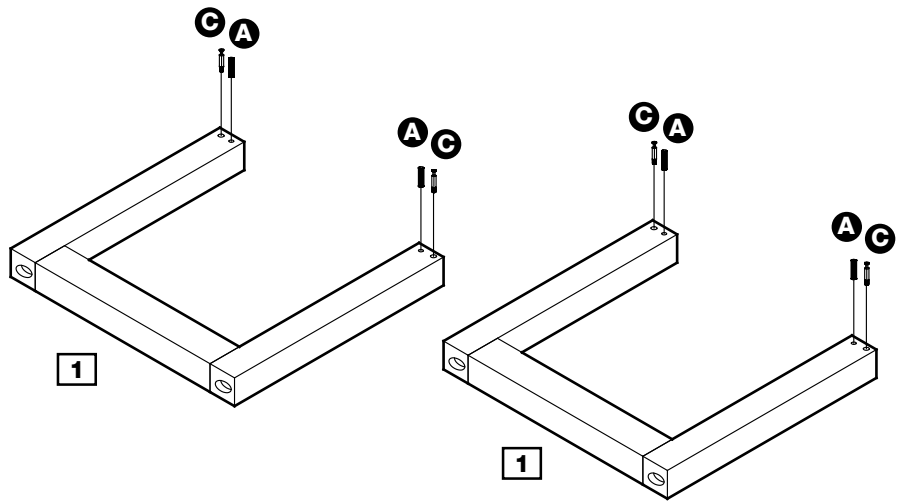
# Assembly Instructions

## Step 1

Lay Large table side frames **1** on a flat soft surface.

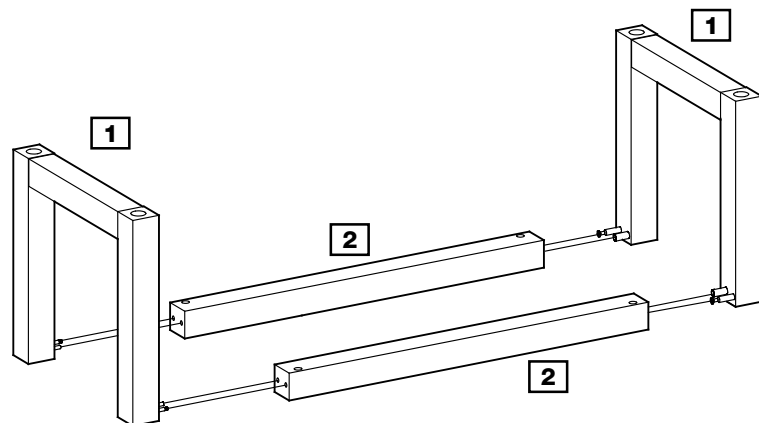
Insert Wood dowels **A** into the indicated holes.

Screw 4 Metal dowels **C** into the threaded holes in the Large table side frames **1** as shown.



## Step 2

Firmly push the Large table side frames **1** onto the ends of Large table cross bars **2**, ensuring the Metal dowels **C** and Wood dowels **A** enter corresponding holes.



# Assembly Instructions

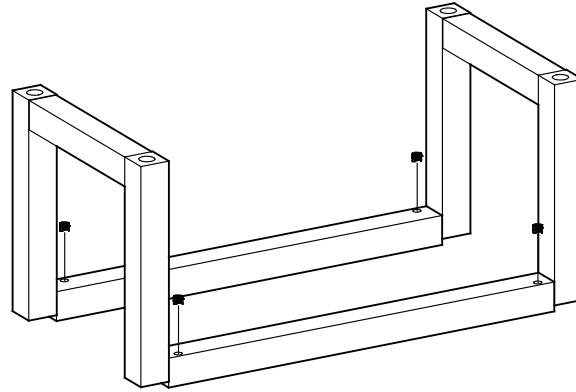
## Step 3

Insert the 4 Metal Cams **D** into the 4 holes on the Cross bars **2** and push in firmly.

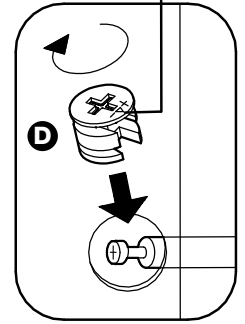


**Note:** Longer leg of the cross on the Metal Cams must face towards metal cams (as shown).

Then, using a Philips Screwdriver, screw all 4 Metal Cams **D** clockwise until they are 'hand tight'.



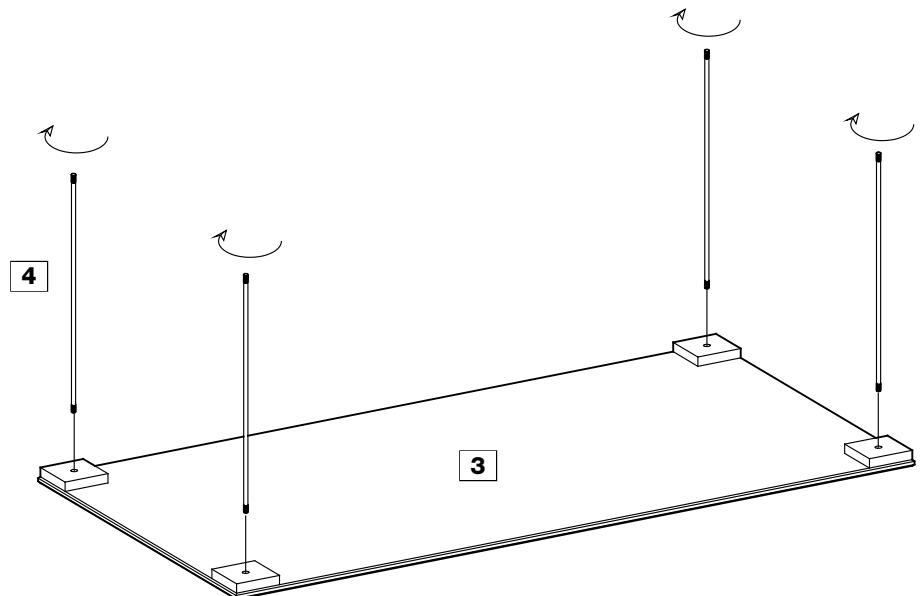
**Note:** Longer leg of the cross on the Metal Cams must face towards metal cams.



## Step 4

Lay the Large table top panel **3** upside down on a soft surface.

Screw end of bolts **4** into the hole of the blocks on the Large table top panel **3** firmly.



# Assembly Instructions

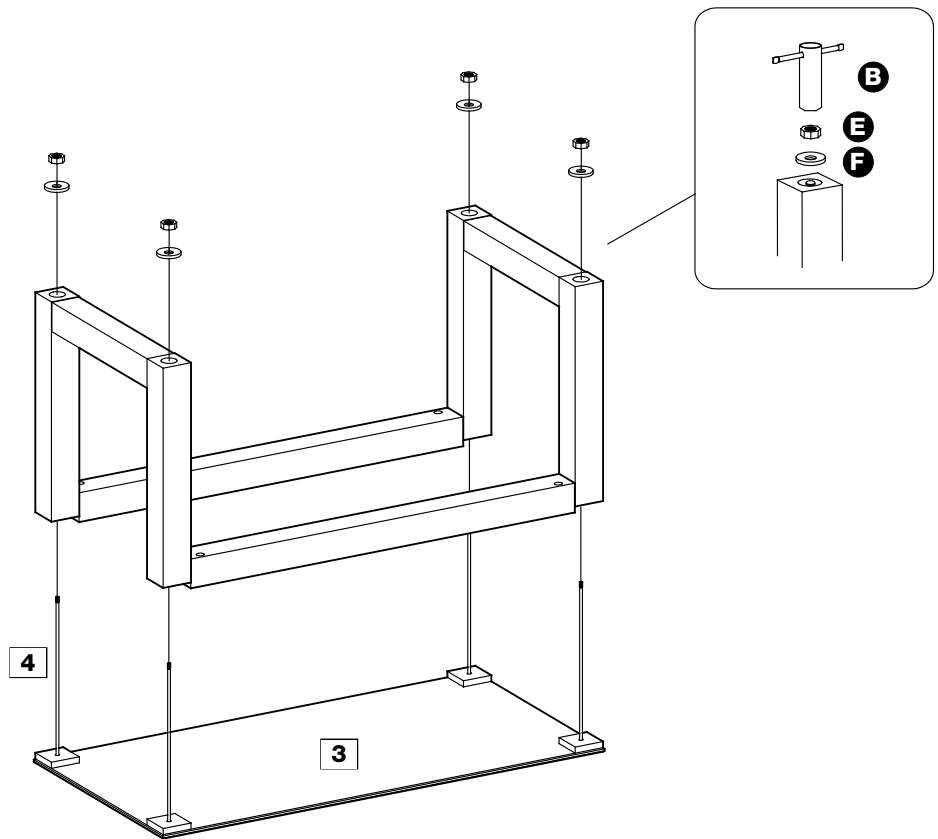
## Step 5

Firmly place the unit from Step 3 onto the Bolts **4**.

Put one Washer **F** onto each bolt head, screw Nut **E** on the head of bolt, tighten with Wrench **B**.



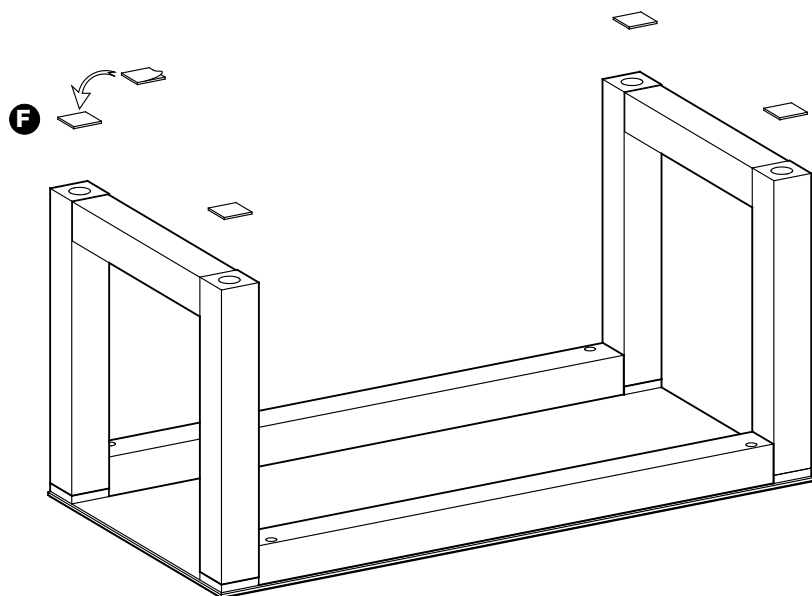
**Note:** Align legs with metal blocks before tightening.



## Step 6

Peel off the cover of the Foot pad **F**, attach to the end of Large table side frames **1** as shown.

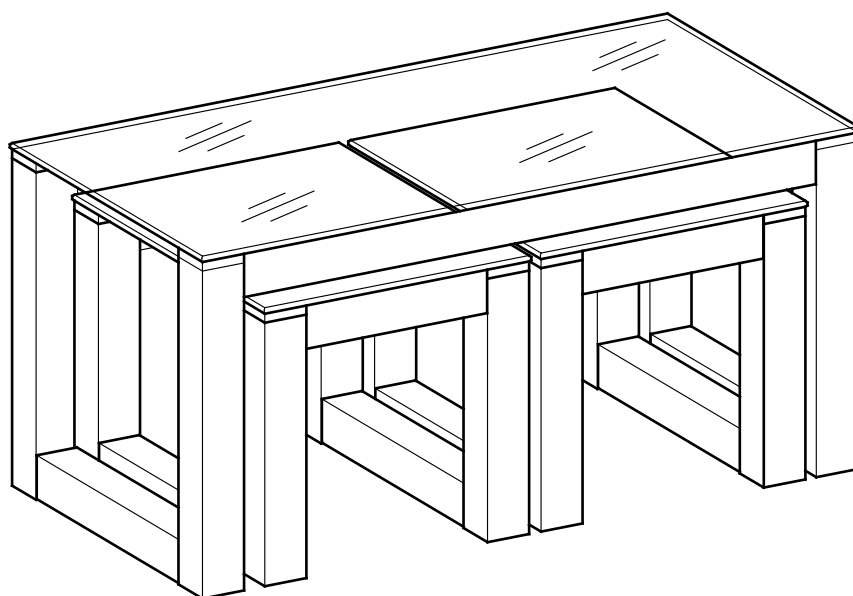
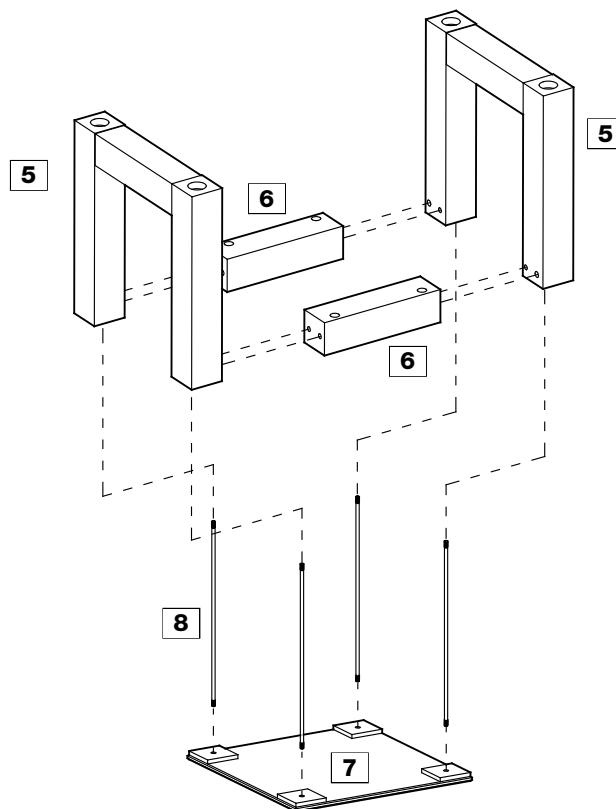
Turn the table upright.



# Assembly Instructions

## Step 7

Repeat Step 1 - 6 to assemble the other 2 small tables with Side frames **5**, Cross bars **6**, Top panels **7** and Bolts **8**.



**Assembly is complete.**

If you need help or have damaged or missing parts, call the **Customer Help Line: 03456 400800**  
Home Retail Group plc. Avebury, 489-499 Avebury Boulevard. Milton Keynes. MK9 2NW