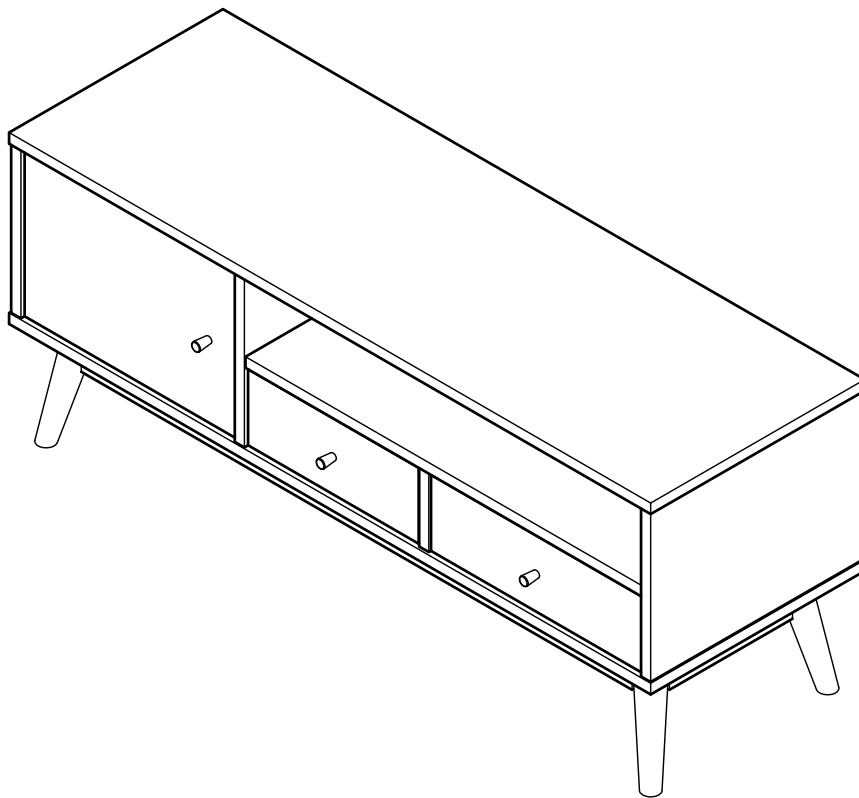


# Hygena Lumina TV Unit

Assembly Instructions - Please keep for future reference

453/1434

**hygena**



## Dimensions

Width - 120cm

Depth - 40cm

Height - 50cm

**Important - Please read these instructions fully before starting assembly**

If you need help or have damaged or missing parts, call the **Customer Helpline: 03456 400800**



# Safety and Care Advice

## Important - Please read these instructions fully before starting assembly

- Check you have all the components and tools listed on the following pages.
- Remove all fittings from the plastic bags and separate them into their groups.
- Keep children and animals away from the work area, small parts could choke if swallowed.
- Make sure you have enough space to layout the parts before starting.

- During assembly do not stand or put weight on the product, this could cause damage.
- Assemble the item as close to its final position (in the same room) as possible.
- Assemble on a soft level surface to avoid damaging the unit or your floor.
- Parts of the assembly will be easier with 2 people.



- To reduce the likelihood of damaging your product please ensure that your power drill is set on a low torque setting.

## Care and maintenance

- Only clean using a damp cloth and mild detergent, do not use bleach or abrasive cleaners.
- From time to time check that there are no loose screws on this unit.
- This product should not be discarded with household waste. Take to your local authority waste disposal centre.

## Handy Hints

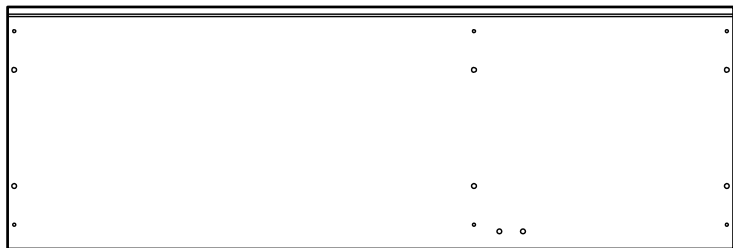
- Assemble all parts and bolts loosely during assembly, only once the product is complete should you fully tighten the bolts.
- Regularly check and ensure that all bolts and fittings are tightend properly.

**Note:** If required the next page can be cut out and used as reference throughout the assembly. Keep this page with these instructions for future reference.

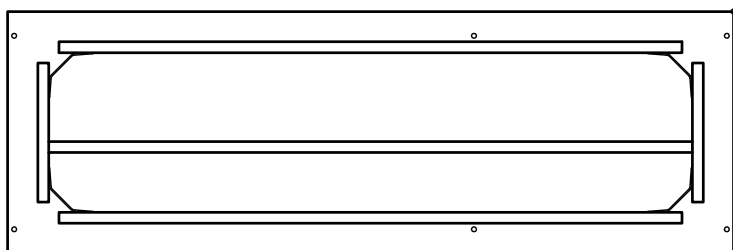
# Components - Panels

If you have damaged or missing components, call the **Customer Helpline: 03456 400800**

Please check you have all the panels listed below



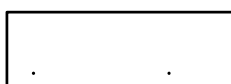
**1** Top panel (120 x 40cm)



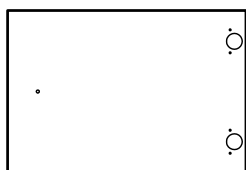
**2** Bottom panel (120 x 40cm)



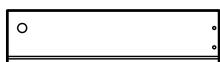
**6** Right shelf (74.2 x 37.8cm)



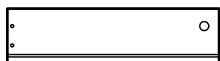
**7** Support (12.8 x 37.6cm)



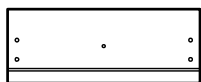
**9** Door (26.8 x 39.4cm)



**12** Drawer left side x2 (35 x 9cm)



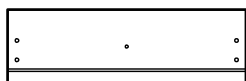
**13** Drawer right side x2 (35 x 9cm)



**10** Drawer front (31.8 x 12.2cm)



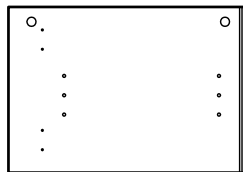
**14** Drawer back (27.5 x 9cm)



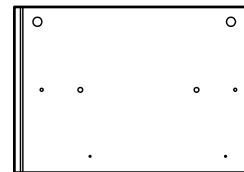
**11** Drawer front (39.4 x 12.2cm)



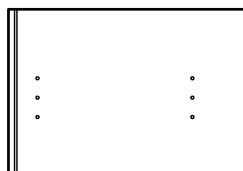
**15** Drawer back (35.1 x 9cm)



**3** Left side panel (27.4 x 39.6cm)



**4** Right side panel (27.4 x 39.6cm)



**5** Middle side panel (27.4 x 39.6cm)



**8** Left shelf (39.8 x 32cm)



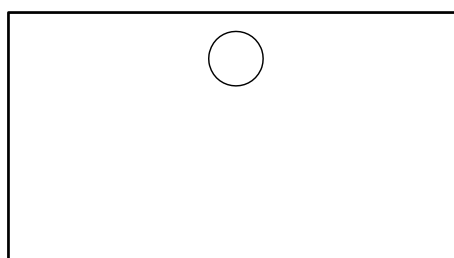
**16** Drawer bottom (28.5 x 34.6cm)



**17** Drawer bottom (36.1 x 34.6cm)



**18** Left back (28.4 x 41cm)



**19** Right back (75.2 x 41cm)

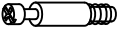


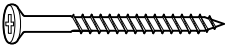


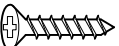



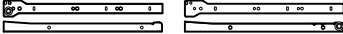


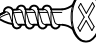

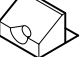
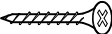

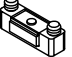




# Components - Fittings

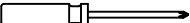
If you have damaged or missing components, call the **Customer Helpline: 03456 400800**

Please check you have all the fittings listed below

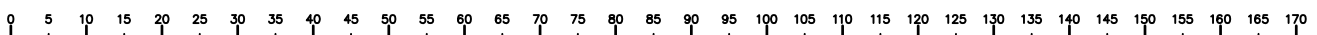
**Note:** The quantities below are the correct amount to complete the assembly. In some cases more fittings may be supplied than are required.

<b>A</b>  Locking pin x 12	<b>B</b>  12mm Locking nut x 8	<b>C</b>  Ø8 Dowel x 20
<b>D</b>  57mm Screw x 8	<b>E</b>  9mm Locking nut x 4	<b>F</b>  Ø6 Dowel x 4
<b>G</b>  31mm Screw x 8	<b>H</b>  35mm Screw x 8 set	<b>I</b>  Handle x 3
<b>J</b>  Handle screw x 3	<b>K</b>  Drawer runner x 2 set	<b>L</b>  12mm Screw x 16
<b>M</b>  Hinge x 2	<b>N</b>  15mm Screw x 8	<b>O</b>  Shelf support x 4
<b>P</b>  Plastic fastener x 8	<b>Q</b>  16mm Screw x 8	<b>R</b>  Sticker x 2
<b>S</b>  Silencer flap x 1	<b>T</b>  Solid wood leg & sticker x 4	<b>U</b>  Screwdriver x 1

## Tools required

 Phillips screwdriver  
(medium & large)

## Ruler - Use this ruler to help correctly identify the screws



The screws length is measured from the head to the point (30mm screw shown).

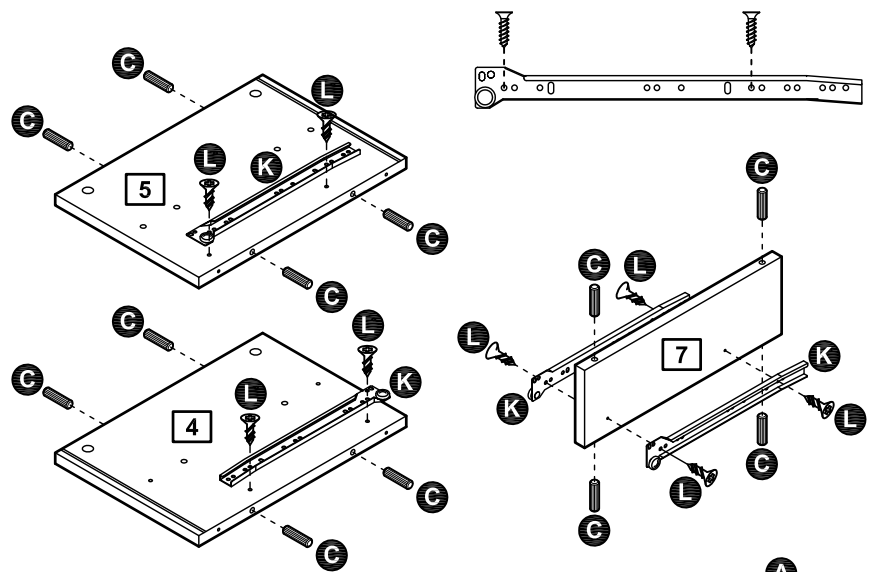
# Assembly Instructions

## Step 1

### Fitting drawer runner

Use screws **L** to fix drawer runners **K** onto side panels **4**, **5** and support **7**.

Insert dowels **G** into side panels **4**, **5** and support **7**.

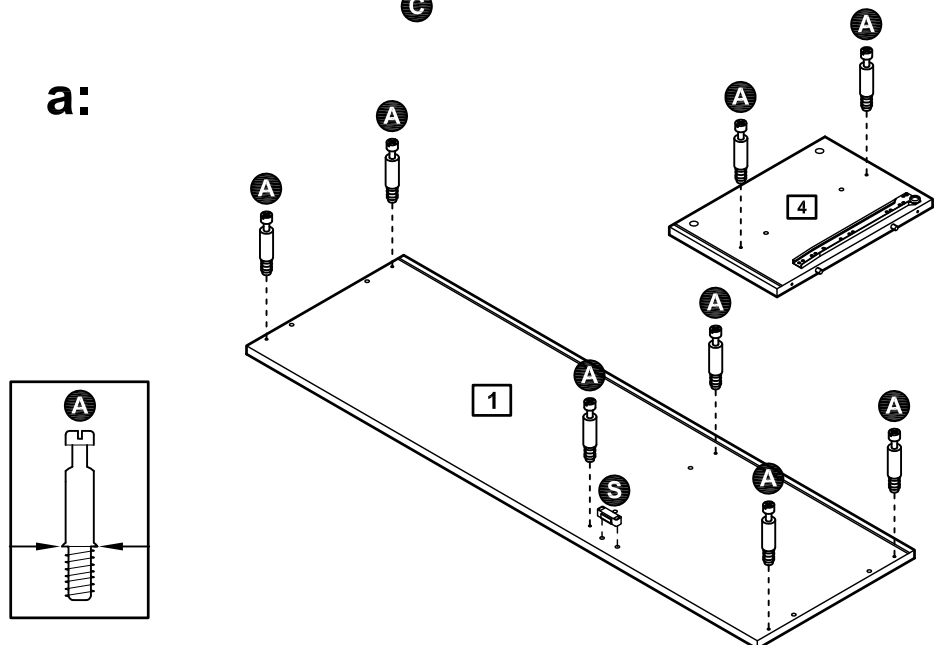


## Step 2

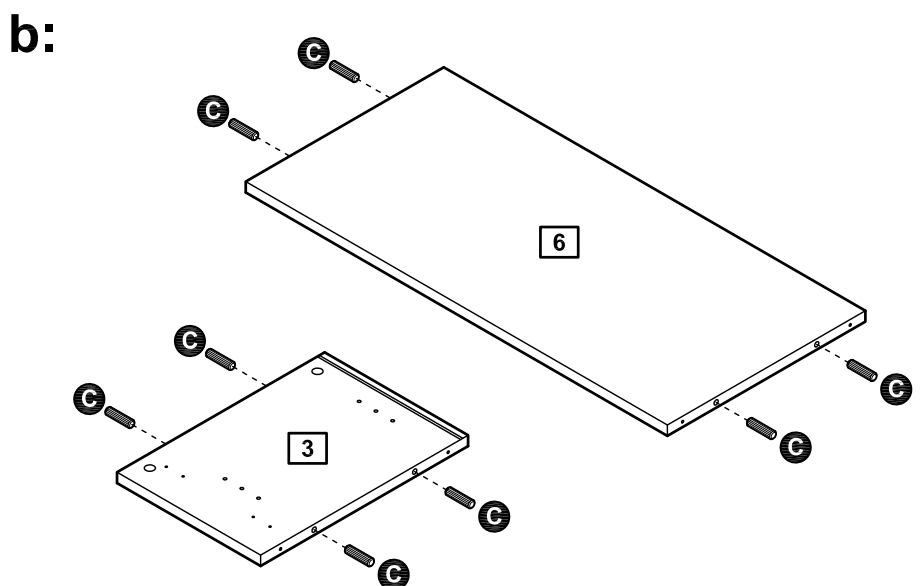
### Fitting the frame

**a:** Screw locking pins **A** into top panel **1** and side panel **4**. Insert locking pins as far as shown.

Insert silencer flap **S** into top panel **1**.



**b:** Insert dowels **G** into side panel **3** and right shelf **6**.



# Assembly Instructions

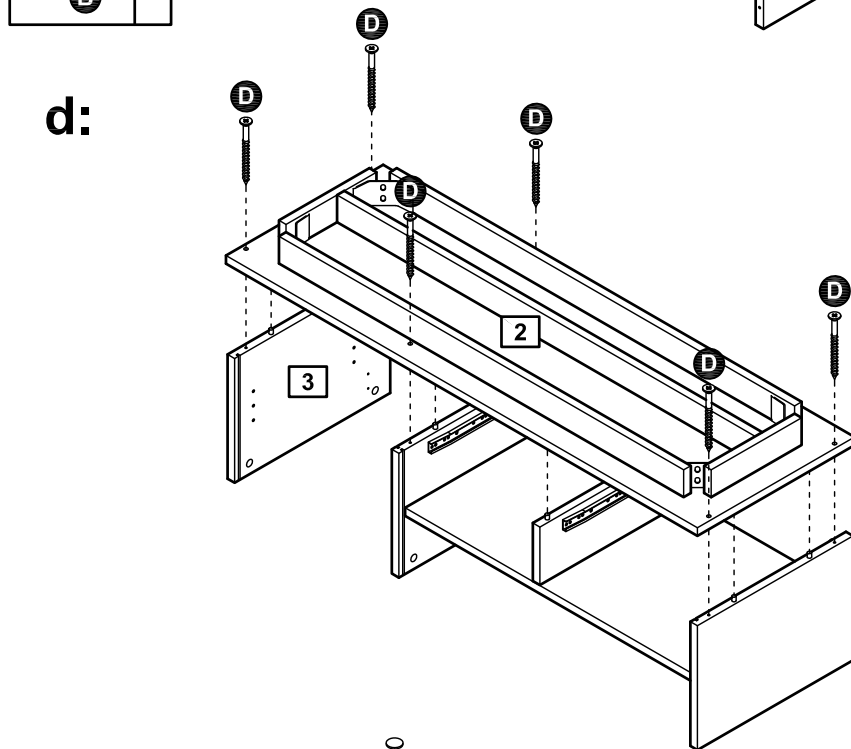
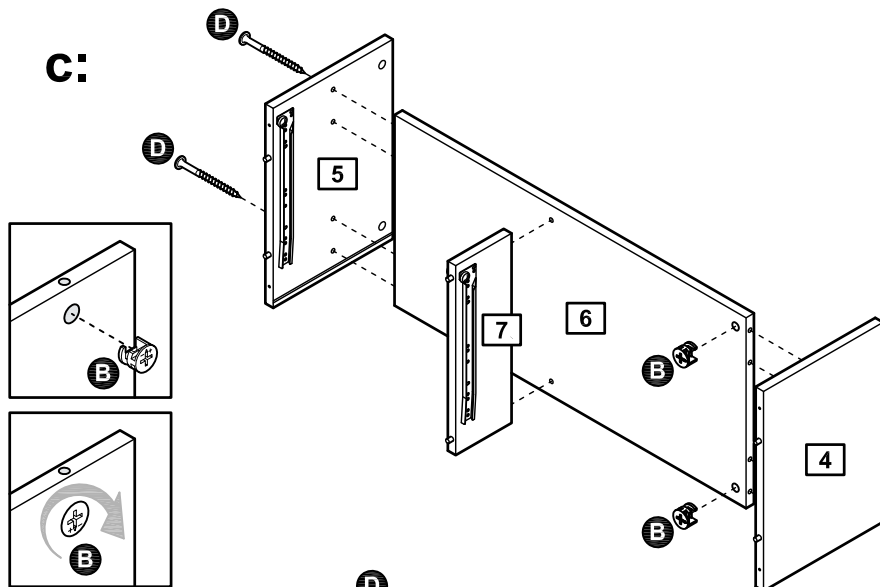
## Step 2 - continued

**c:** Use screws **D** to fix side panel **5** onto right shelf **6**, then use stickers **R** to cover the screw holes.

Attach side panel **4** onto the unit. Insert locking nuts **B** into the unit, then use a screwdriver to turn locking nuts **B** clockwise to lock.

Attach support **7** onto the unit.

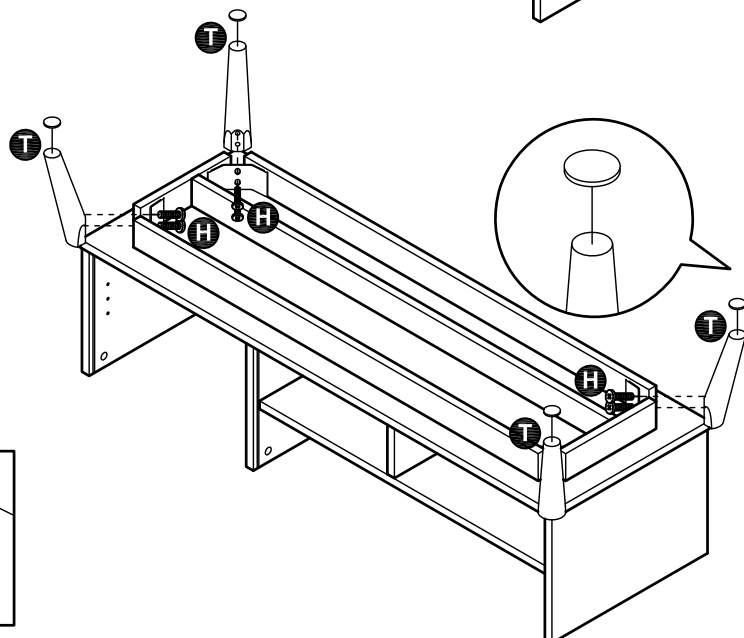
**d:** Use screws **D** to fix bottom panel **2** onto side panel **3** and the unit.



## Step 3

### Fitting leg

Use screws **H** to fix legs **T** onto the unit by screwdriver **U**.

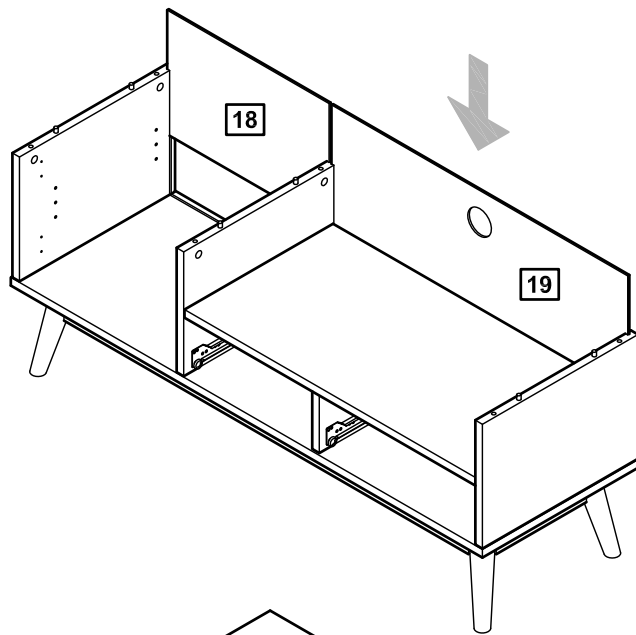


# Assembly Instructions

## Step 4

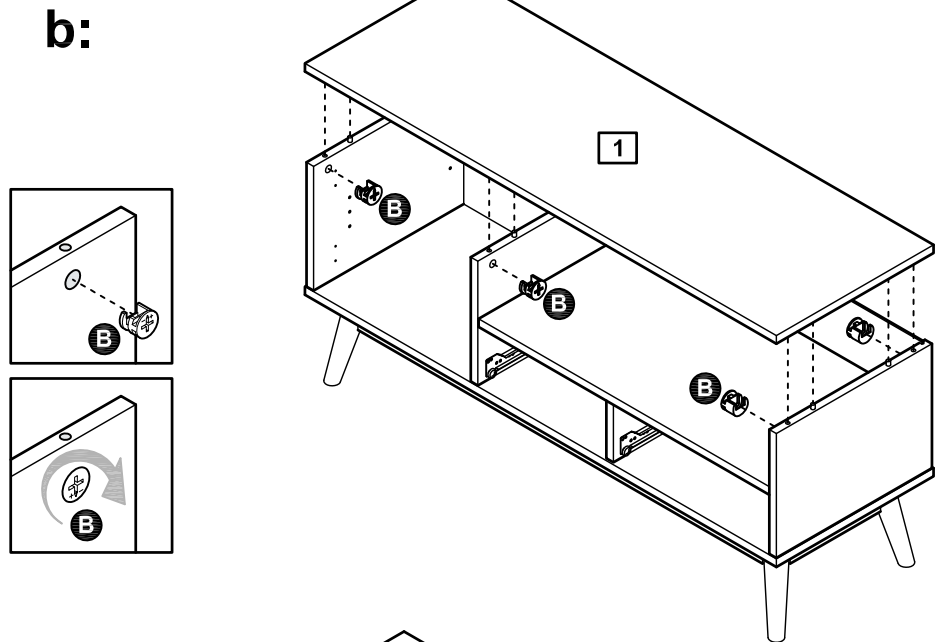
### Fitting top panel

**a:** Slide back panels **18** and **19** into the unit.



**b:** Attach top panel **1** onto the unit.

Insert locking nuts **B** into the unit, then use a screwdriver to turn locking nuts **B** clockwise to lock.



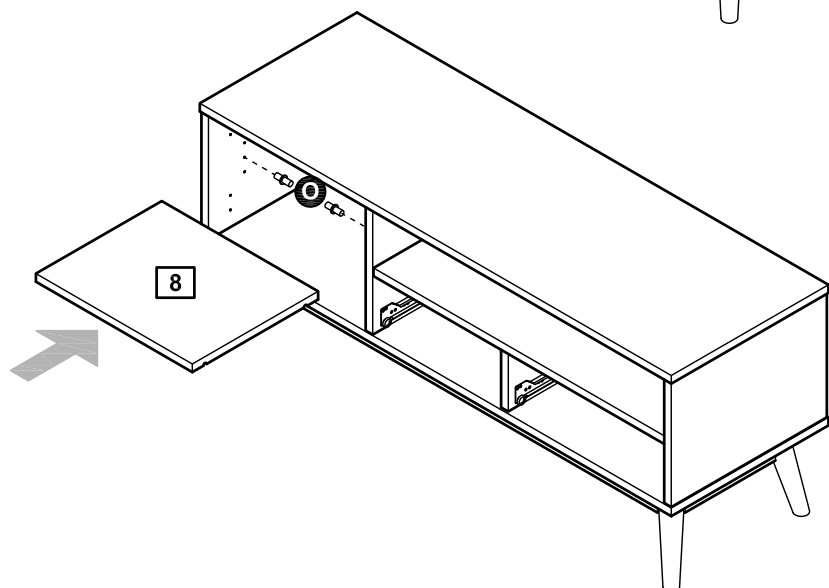
## Step 5

### Fitting shelf

Place shelf supports **C** into the unit.

**NOTE:** Adjust the shelf supports to the desired height.

Slide shelf **8** into the unit.



# Assembly Instructions

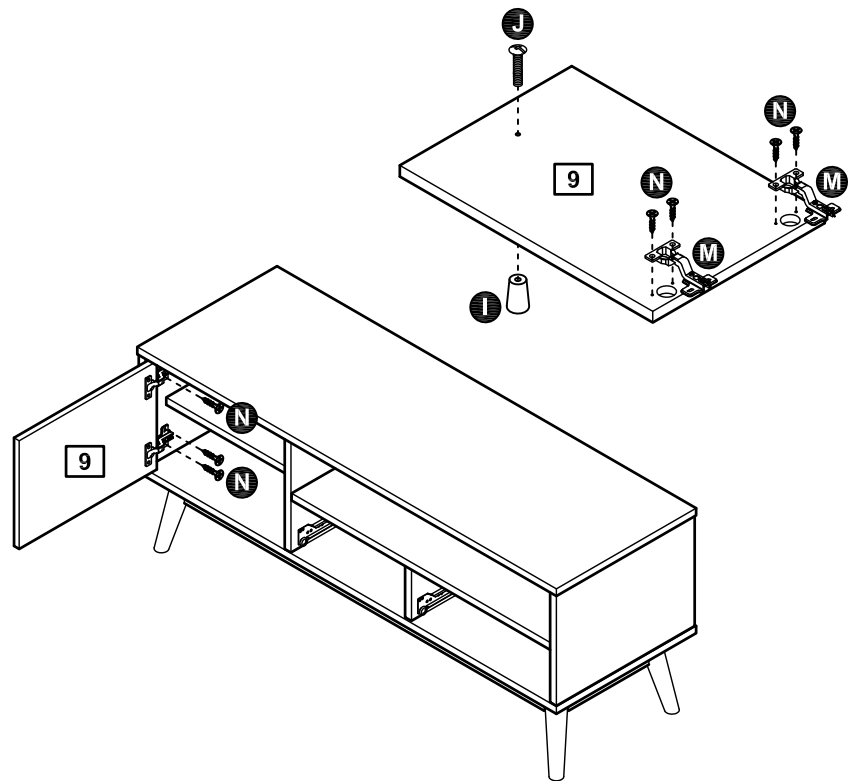
## Step 6

### Fitting the door

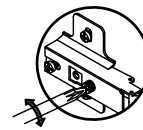
Use screws **N** to fix hinges **M** onto door **9**.

Use screw **J** to fix handle **I** onto door **9**.

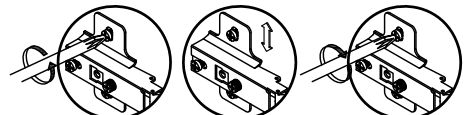
Attach door **9** to the assembled unit with screws **N** using a screwdriver to tighten.



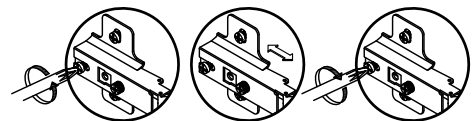
LATERAL



VERTICAL



FRONT-TO-BACK

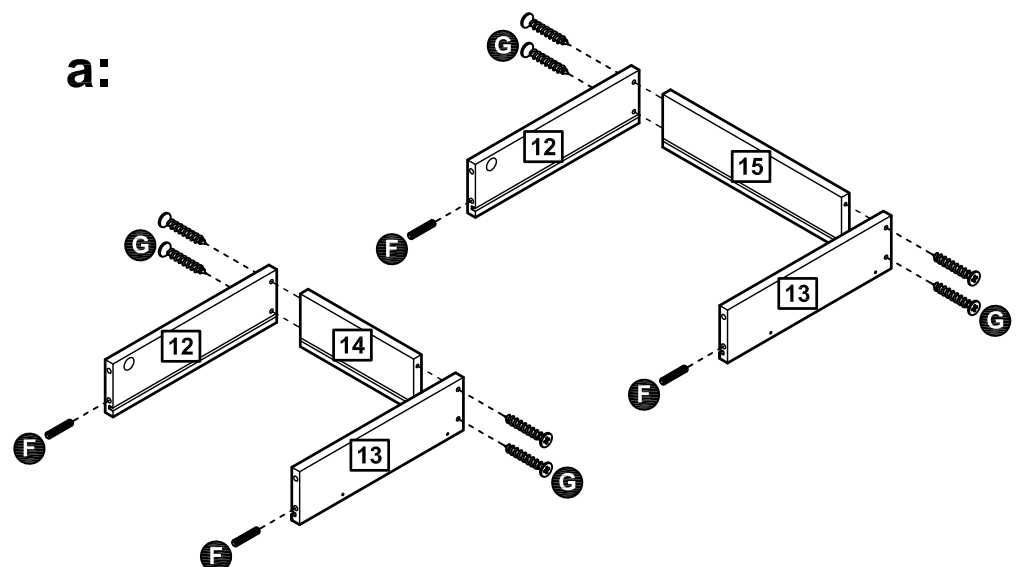


## Step 7

### Fitting the drawer

**a:** Use screws **G** to fix drawer side **12** and **13** onto drawer back **14** and **15**.

Insert dowels **F** into drawer side **12** and **13**.



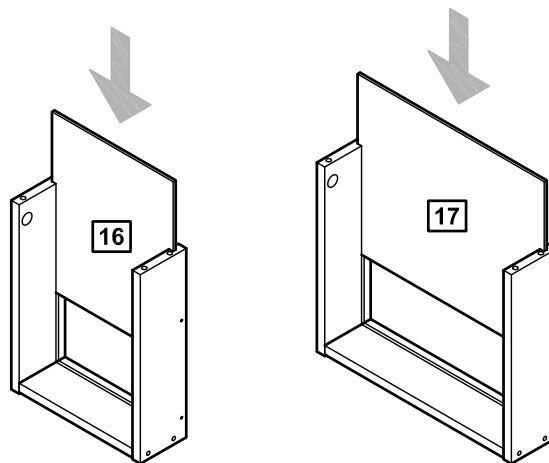


# Assembly Instructions

## Step 7 - continued

**b:** Slide drawer bottom **16** and **17** into the unit.

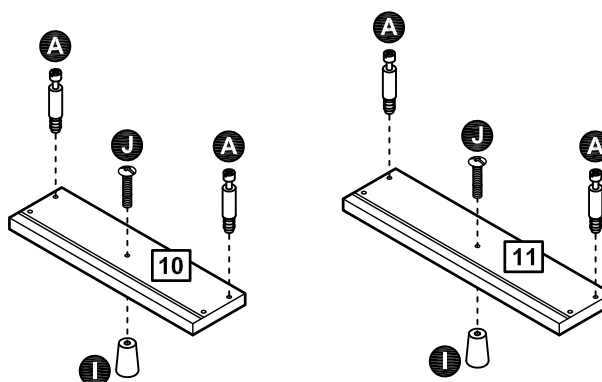
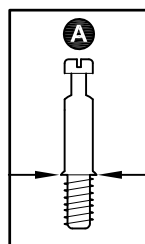
**b:**



**c:** Screw locking pins **A** into drawer front **10** and **11**. Insert locking pins as far as shown.

**c:**

Use screws **J** to fix handle **I** onto the drawer front **10** and **11**.

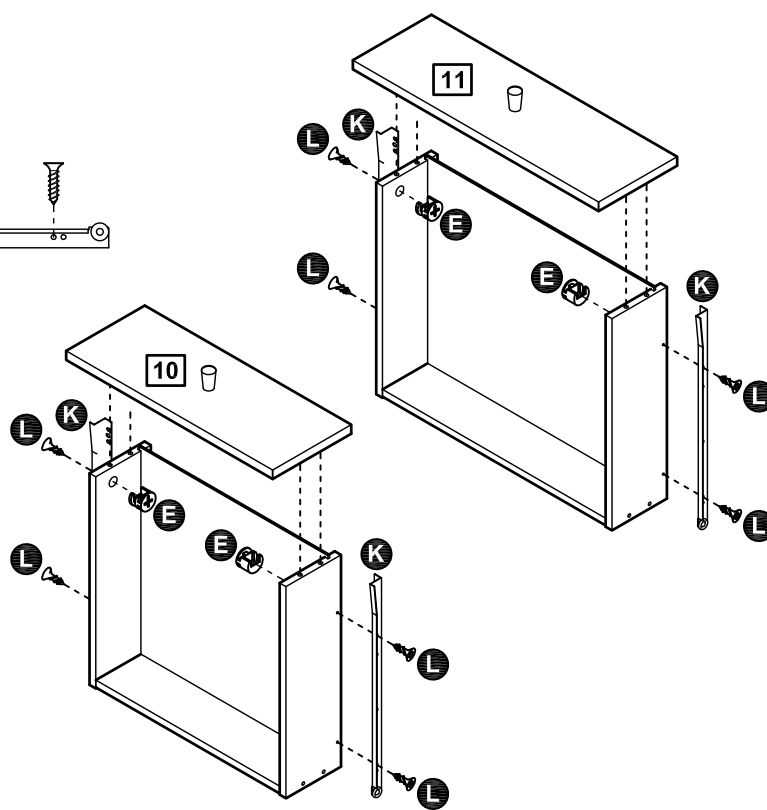
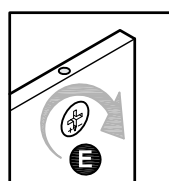
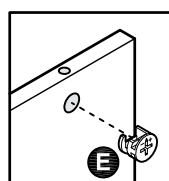
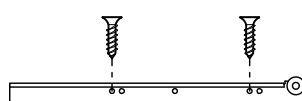


**d:** Attach drawer front **10** and **11** onto the unit.

**d:**

Insert locking nuts **E** into the unit, then use a screwdriver to turn locking nuts **E** clockwise to lock.

Use screws **L** to fix drawer runners **K** onto the unit.



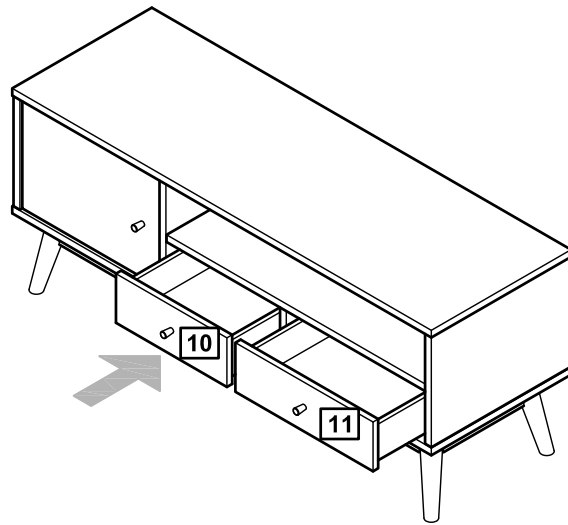
# Assembly Instructions

## Step 8

### Finish the unit

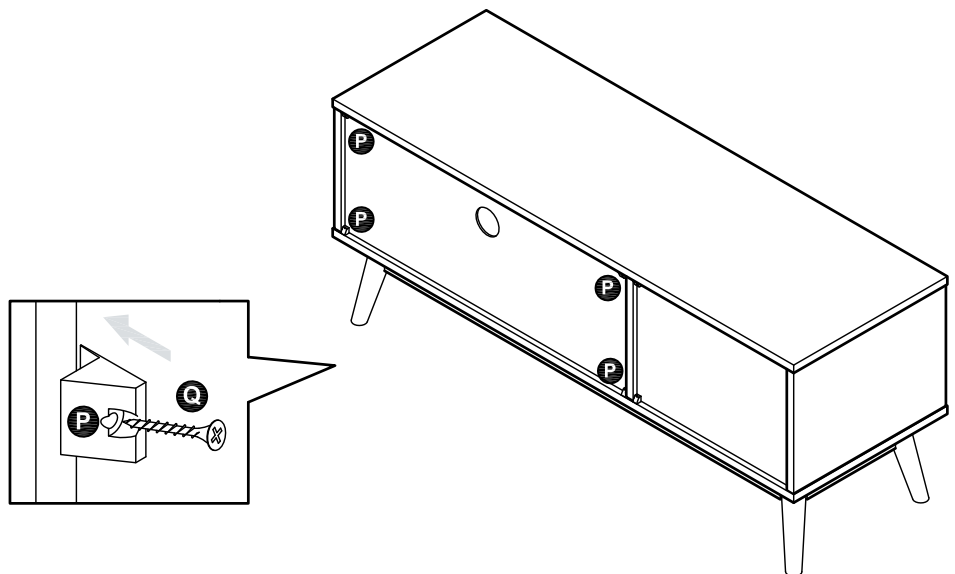
**a:** Slide the drawers into the unit.

**a:**



**b:** Insert plastic fasteners **P** into the back panel grooves and secure with screws **Q**, tighten with a screwdriver.

**b:**



**Assembly is complete.**

If you need help or have damaged or missing parts, call the **Customer Helpline: 03456 400800**