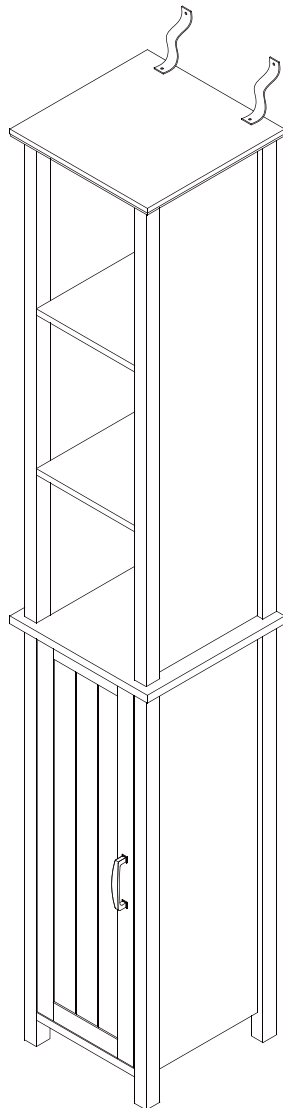



Tongue and Groove Tall Cabinet




Spare Parts

 www.argos-support.co.uk

 Help@ClickSpares.co.uk

 0370 112 1928

Customer Support

 0345 640 2020

Safety and Care Advice

Product Details

White 452/5952

Grey 311/2854

IMPORTANT, RETAIN FOR FUTURE REFERENCE: READ CAREFULLY.

- Keep children and animals away from the work area, small parts could choke if swallowed.
- Make sure you have enough space to layout the parts before starting.
- This product has been constructed to be used in the domestic environment only and not for commercial purposes.

- Assemble the item as close to its final position (in the same room) as possible.
- Assemble on a soft level surface to avoid damaging the unit or your floor.



- We do not recommend the use of power drill/drivers for inserting screws as this could damage the unit.

Only use hand screwdrivers.

- Parts of the assembly will be easier with 2 people.
- Dispose of all packaging carefully and responsibly.

Care and maintenance

- Only clean using a damp cloth and mild detergent. Do not use abrasive cleaners.
- Use a dry cloth to clean the product, furniture polish is not recommended.

- From time to time check that there are no loose screws, nuts or bolts. If there are please re-tighten.

- This product should not be discarded with household waste. Take to your local authority waste disposal centre.

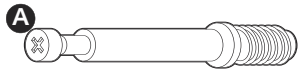
Additional Guidance

- Assemble all parts and bolts loosely during assembly, only once the product is complete should you fully tighten the bolts.
- Regularly check and ensure that all bolts and fittings are tightened properly.

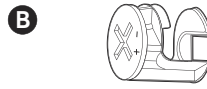
Sainsbury's Argos is a trading name of both: Argos Limited, Registered office: 489-499 Avebury Boulevard, Milton Keynes, United Kingdom, MK9 2NW, registered number: 01081551 (England and Wales); and Sainsbury's Supermarkets Limited, Registered office: 33 Holborn, London, EC1N 2HT, registered number: 03261722 (England and Wales). Both companies are subsidiaries of J Sainsbury's plc.

Fittings

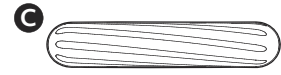
Bag 1



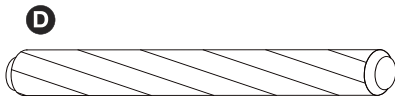
35mm Male camlock x 20



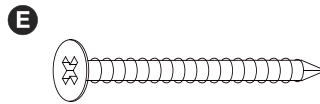
Female camlock x 20



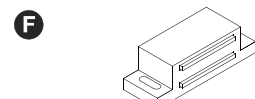
30mm dowel x 16



50mm dowel x 4



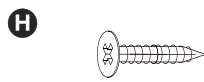
35mm Screw x 6



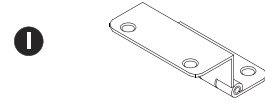
Magnetic Catch x 1



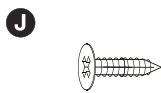
Catch Plate x 1



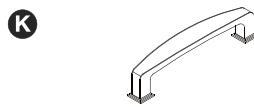
14mm Screw x 2



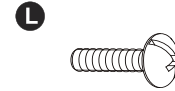
Hinge x 2



10mm Screw x 9



Handle x 1



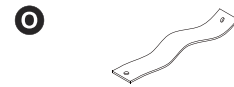
14mm Screw x 2



14mm Screw x 24



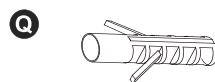
25mm Shelf Supports x 8



Safety strap x 2



12mm Screw x 2

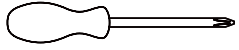


30mm Wall plug x 2

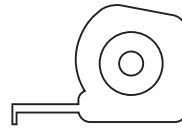


Washer x 4

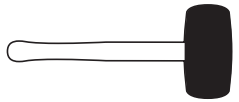
Tools required



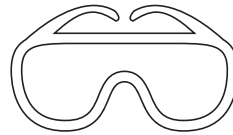
Phillips screwdriver
(small & medium)



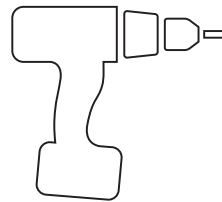
Ruler/tape
measure



Mallet

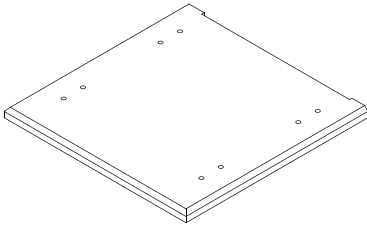


Eye protection
(when using a hammer
or glue)

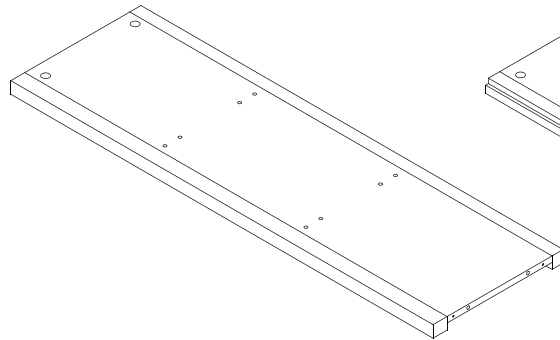


Power drill

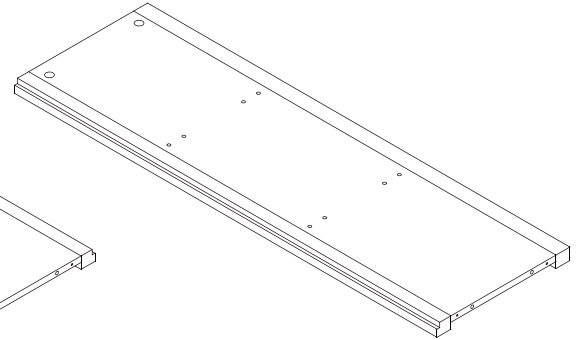
Panels



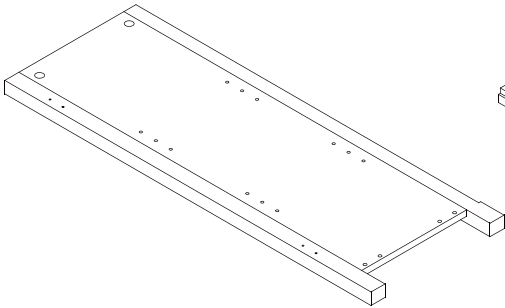
1 Top Panel x 1
(30(w)cmx30(d)cm)



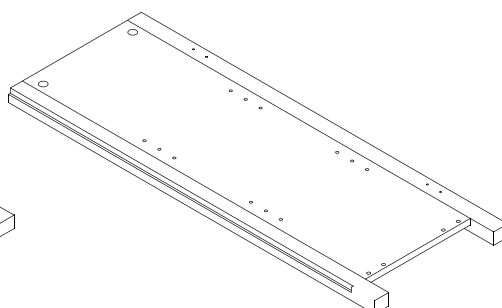
2 Upper Left Panel x 1
(90.5(w)cmx28.4(d)cm)



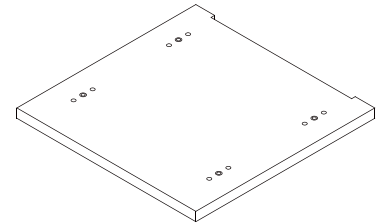
3 Upper Right Panel x 1
(90.5(w)cmx28.4(d)cm)



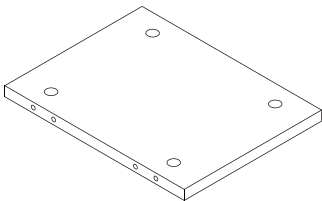
4 Lower Left Panel x 1
(78.5(w)cmx28.4(d)cm)



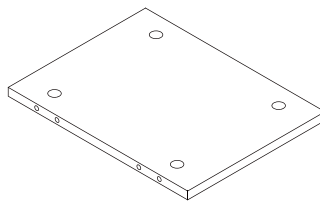
5 Lower Right Panel x 1
(78.5(w)cmx28.4(d)cm)



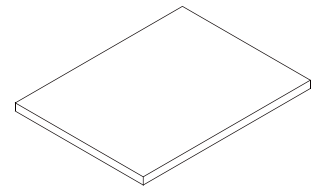
6 Middle Panel x 1
(30(w)cmx30(d)cm)



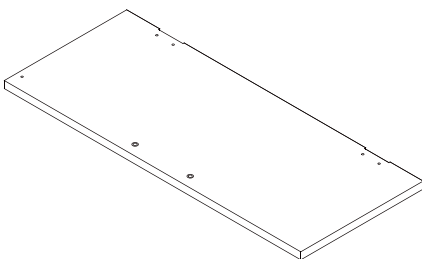
7 Base Panel x 1
(28(w)cmx21.5(d)cm)



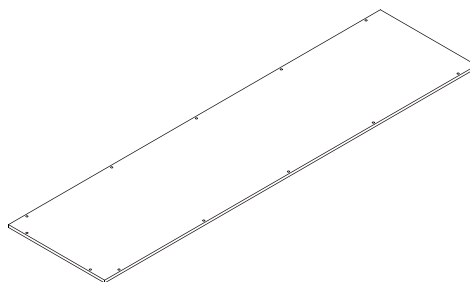
8 Upper Fixed Shelves x 2
(28(w)cmx21.5(d)cm)



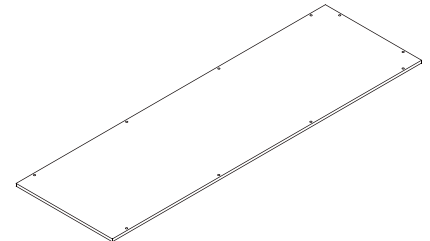
9 Adjustable Shelves x 2
(26(w)cmx21(d)cm)



10 Door x 1
(71.8(w)cmx21.3(d)cm)

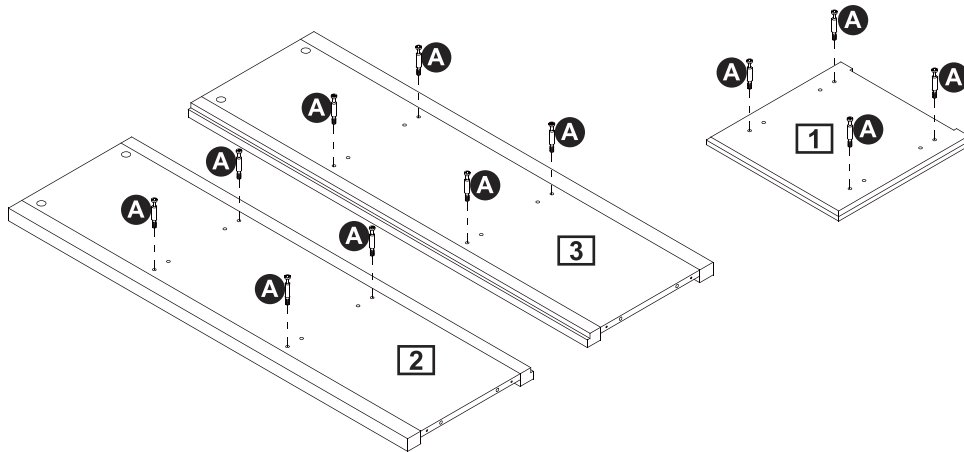
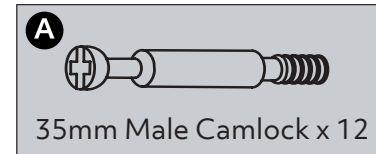
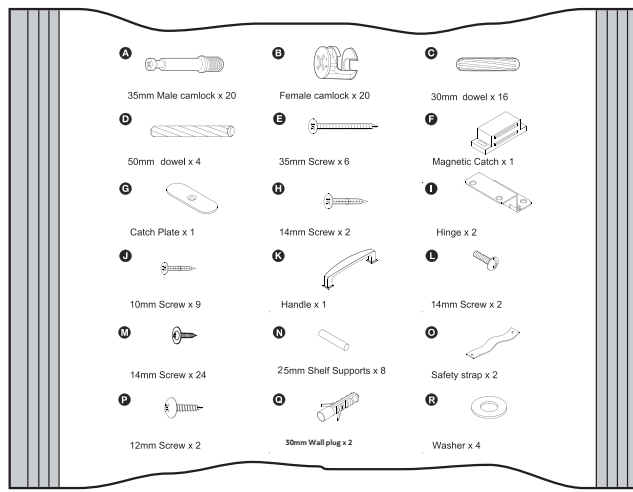


11 Upper Back Panel x 1
(92(w)cmx23.5(d)cm)

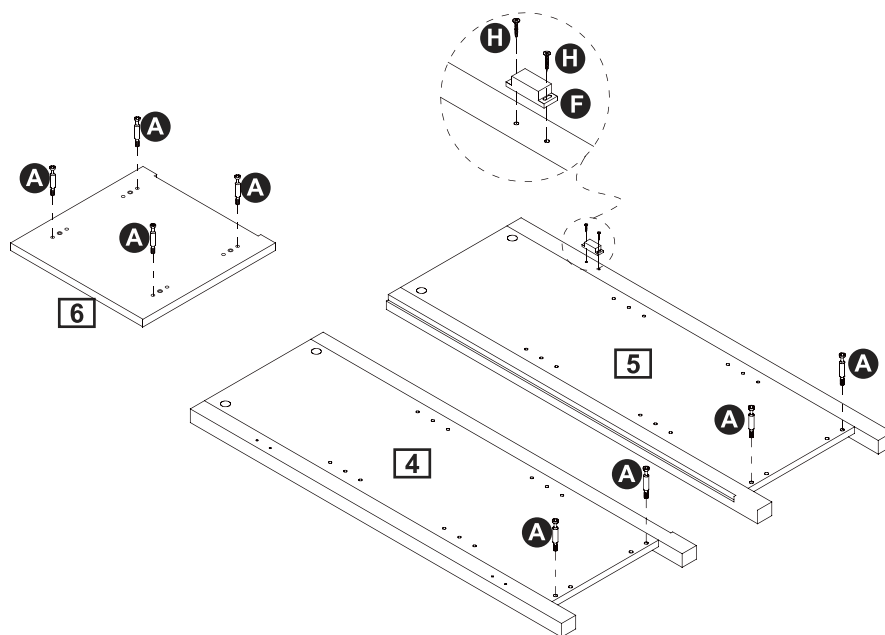
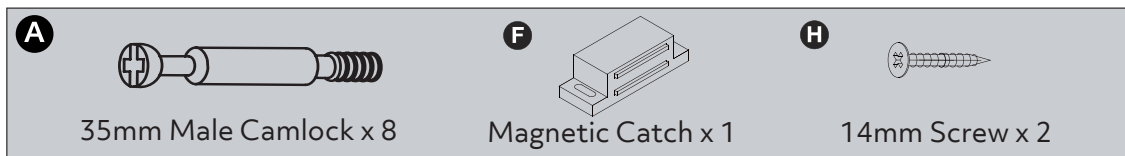


12 Lower Back Panel x 1
(74.3(w)cmx23.5(d)cm)

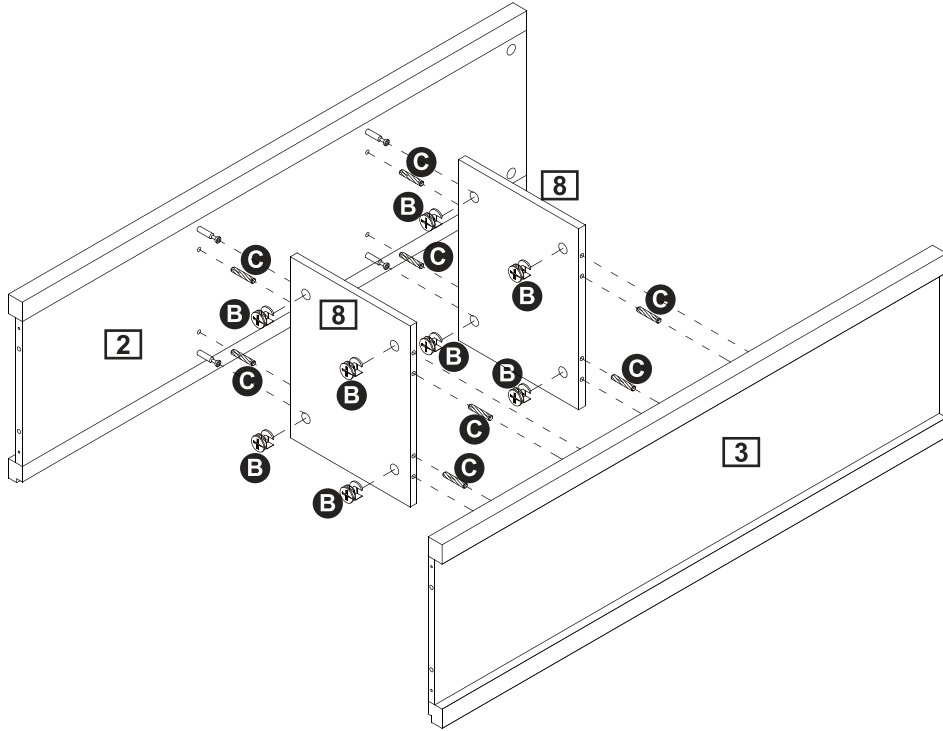
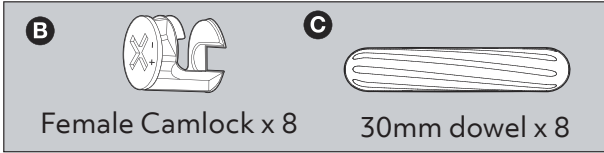
1



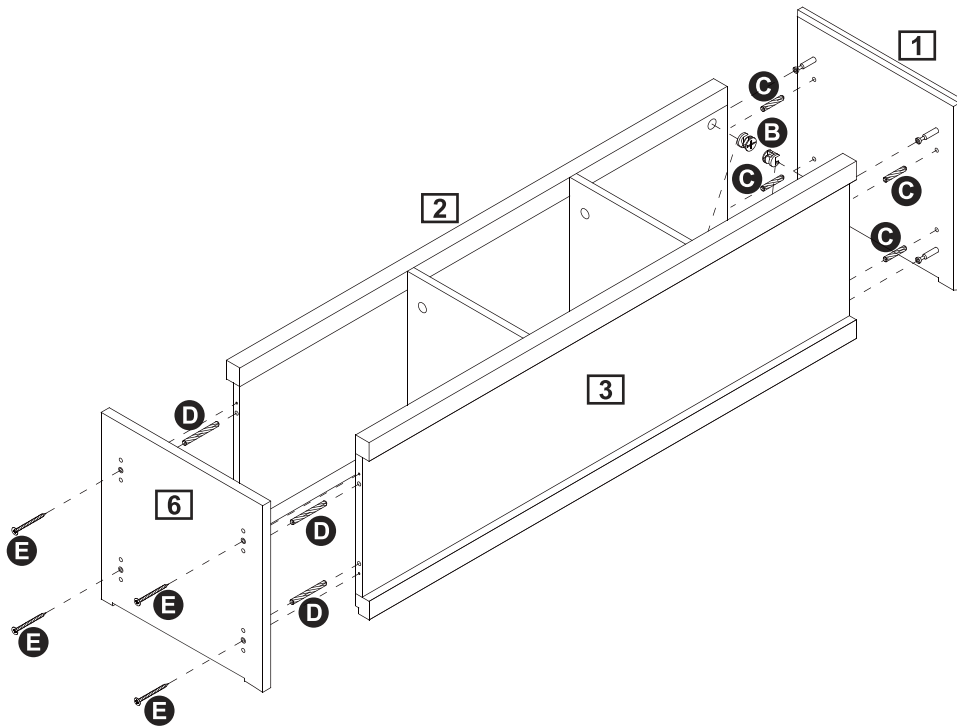
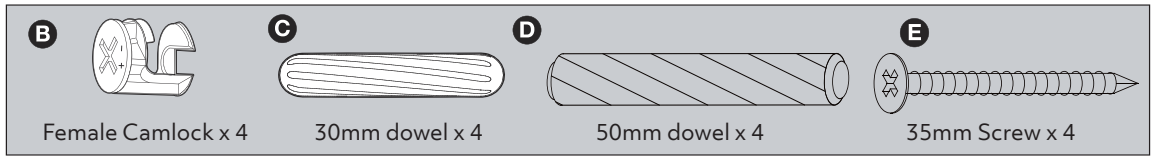
2



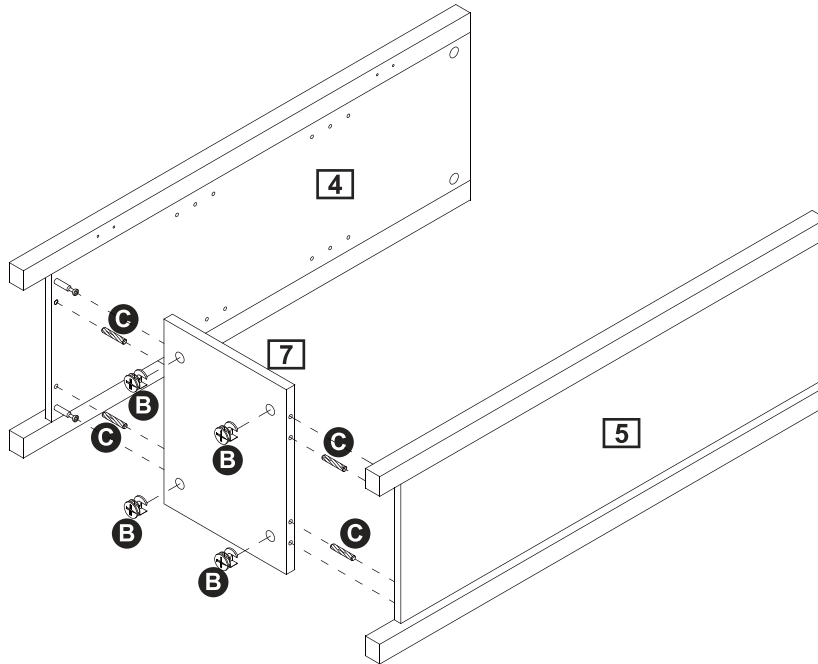
3



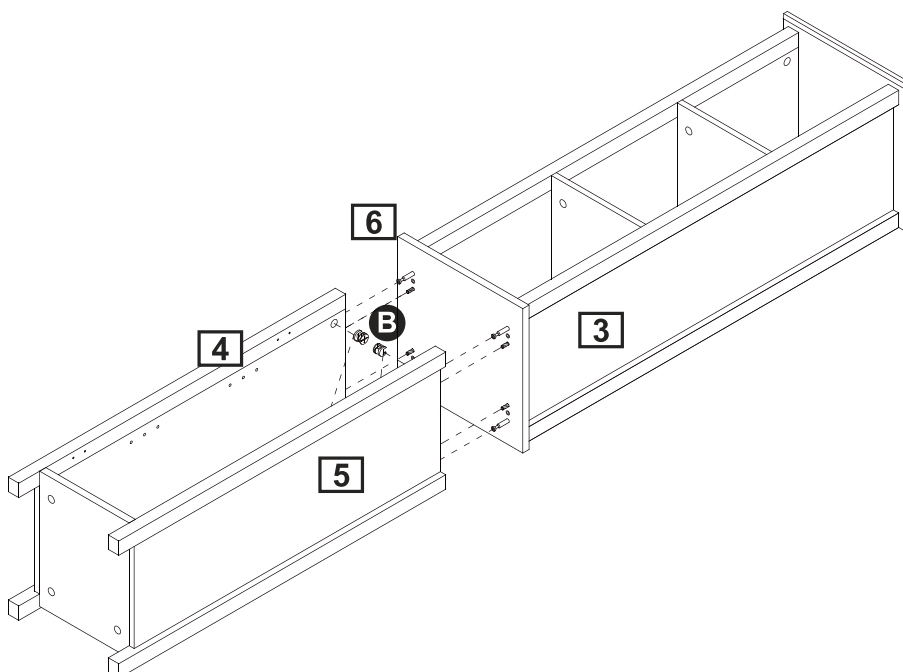
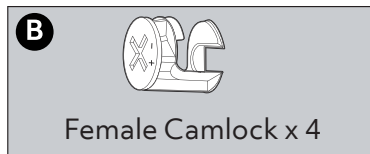
4



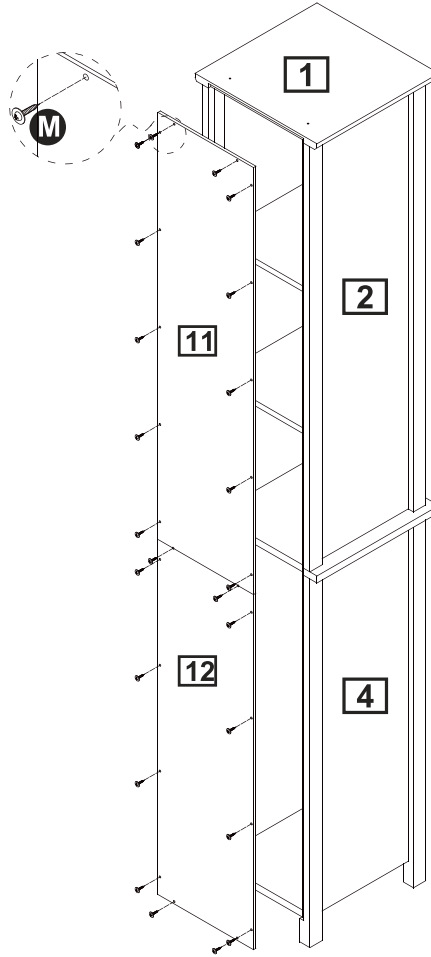
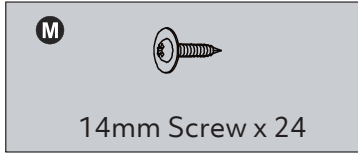
5



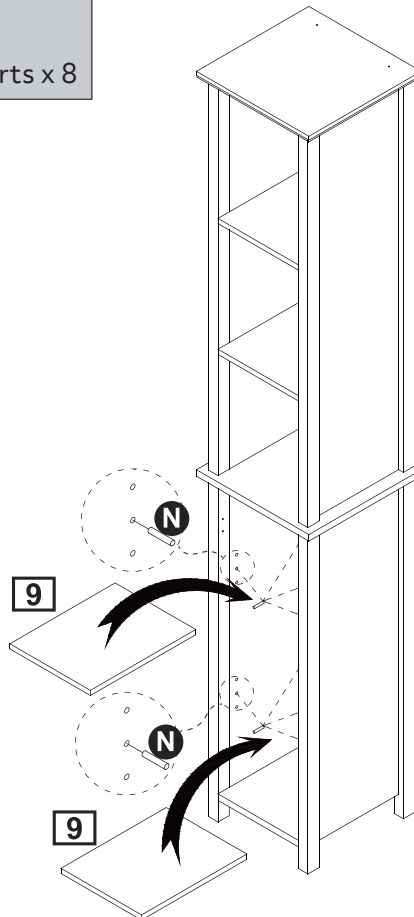
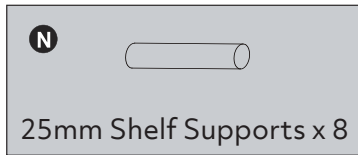
6



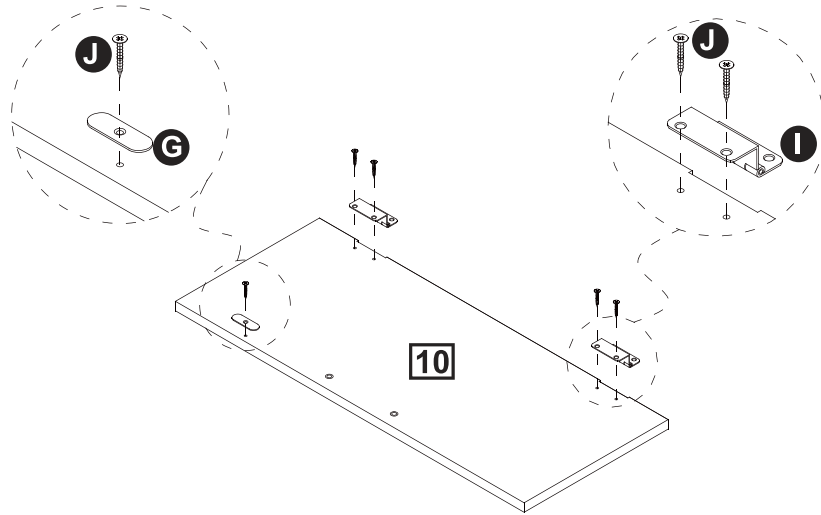
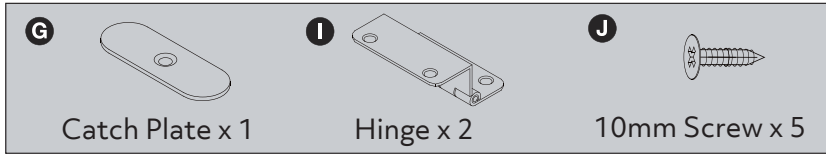
7



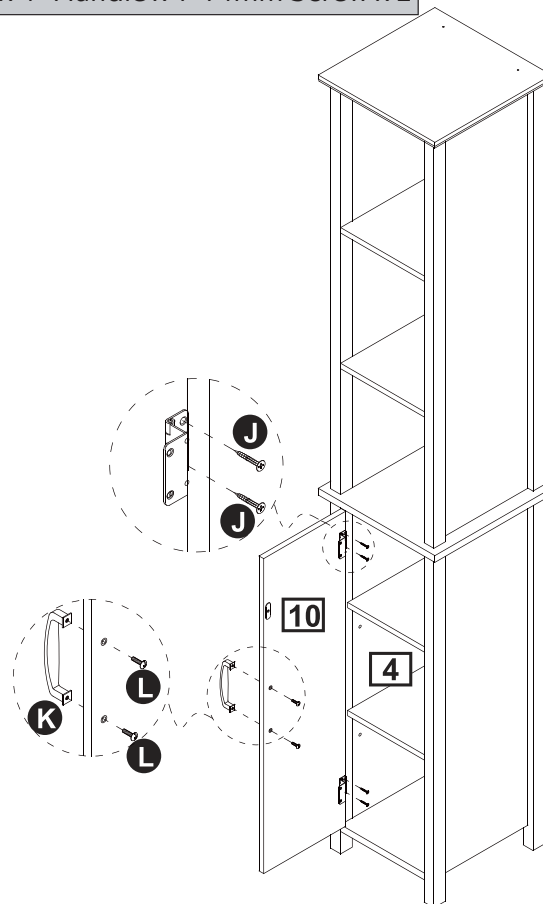
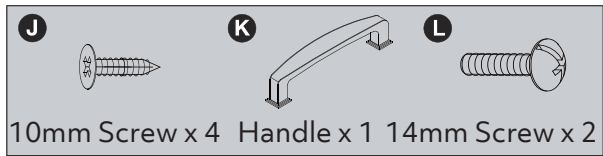
8



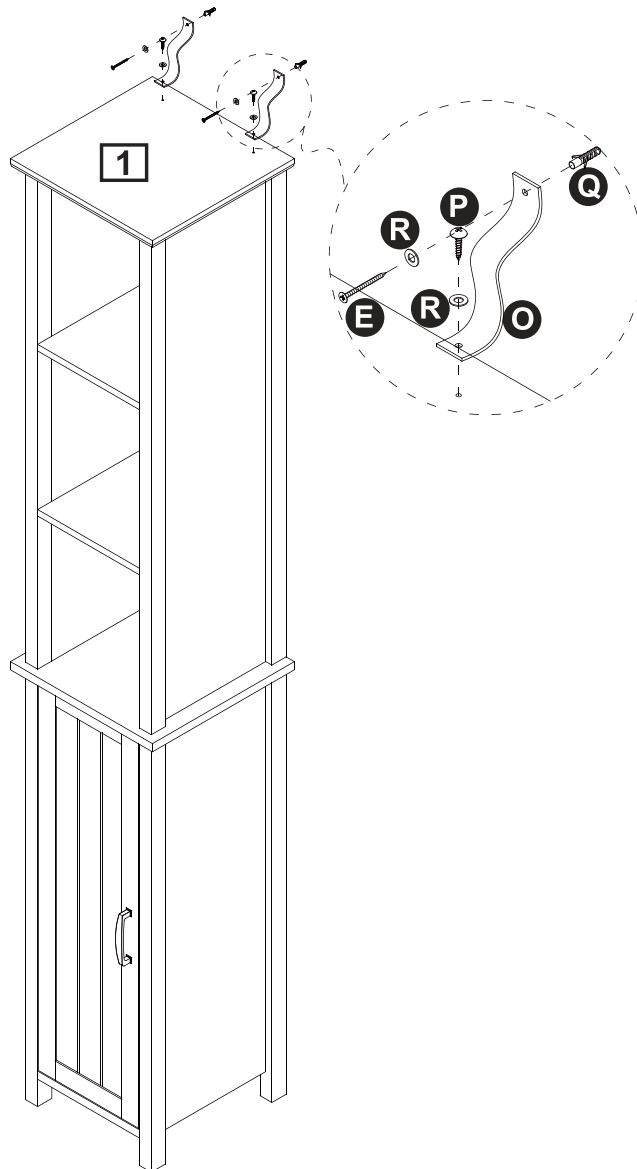
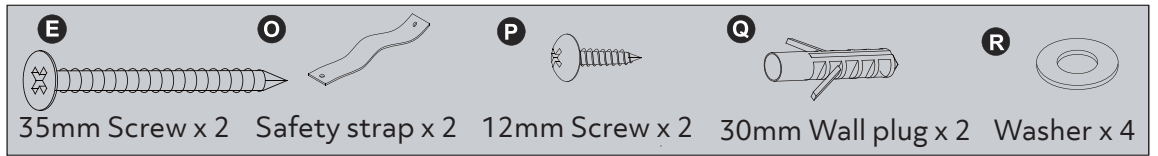
9



10



11



A Guide to Wall Mounting & Fixings

Important note:

If plastic wall plugs (rawl plugs) are supplied with your product, eg:



- these are suitable for use in masonry walls

If you are in any doubt about the correct wall plugs for your wall, seek professional advice.

Failure of the product due to using the incorrect fixings is the responsibility of the installer.



Important: when drilling into walls always check that there are no hidden wires or pipes etc.



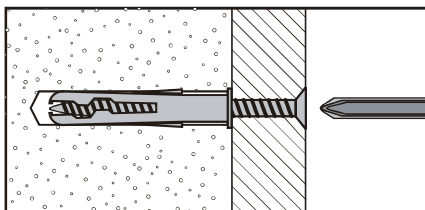
Hints:

1. General rule: always use a larger screw and wall plug if you are not sure.
2. Ensure you use the recommended drill bit to match the wall plug and hole size.
3. Ensure you drill the hole horizontally; do not force the drill or enlarge the hole.
4. Take extra care when drilling high walls, ceilings and ceramic tiles. Ensure wall plugs are inserted beyond the thickness of the ceramic tiles to avoid the tiles splitting or cracking.
5. Ensure wall plugs are well fitted and are a tight fit in the drilled hole.

Types of walls

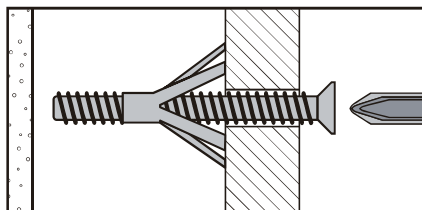
You can use one of the following types of wall plug if your walls are made of brick, breeze block, concrete, stone or wood.

No. 1 "General Purpose" wall plug



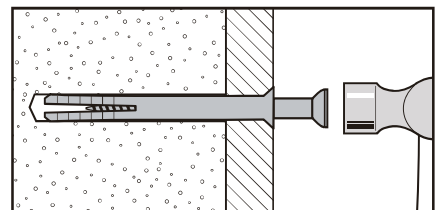
Generally aerated blocks should not be used to support heavy loads, use a specialist fitting in this case. For light loads, general purpose wall plugs can be used.

No. 3 "Cavity Fixing" wall plug



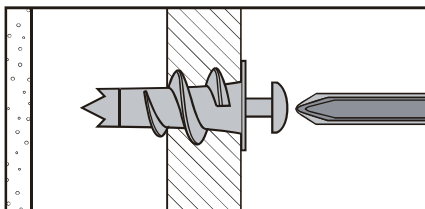
For use with plasterboard partitions or hollow wooden doors.

No. 5 "Hammer Fixing" wall plug



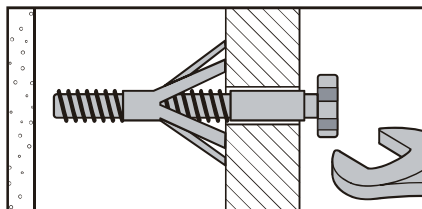
For use with walls stuck with plasterboard. The hammer fixing allows it to be fixed to the wall rather than the plasterboard. Always check the fixing is secure to the retaining wall.

No. 2 "Plasterboard" wall plug



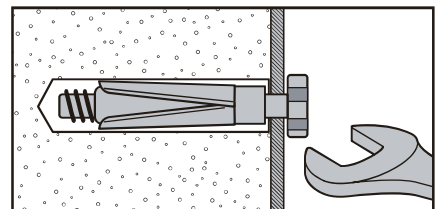
For use when attaching light loads onto plasterboard partitions.

No. 4 "Cavity Fixing - Heavy Duty" wall plug



For use when fitting or supporting heavy loads such as shelving, wall cabinets and coat racks.

No. 6 "Shield Anchor" wall plug - heavy loads



For use with heavier loads such as TV and HiFi speakers and satellite dishes etc.



Care & Maintenance

Safety: Always check the fitting and location to ensure your safety in and around the home.

Fitting: From time to time check the fitting to ensure the wall plugs or screws do not become loose.