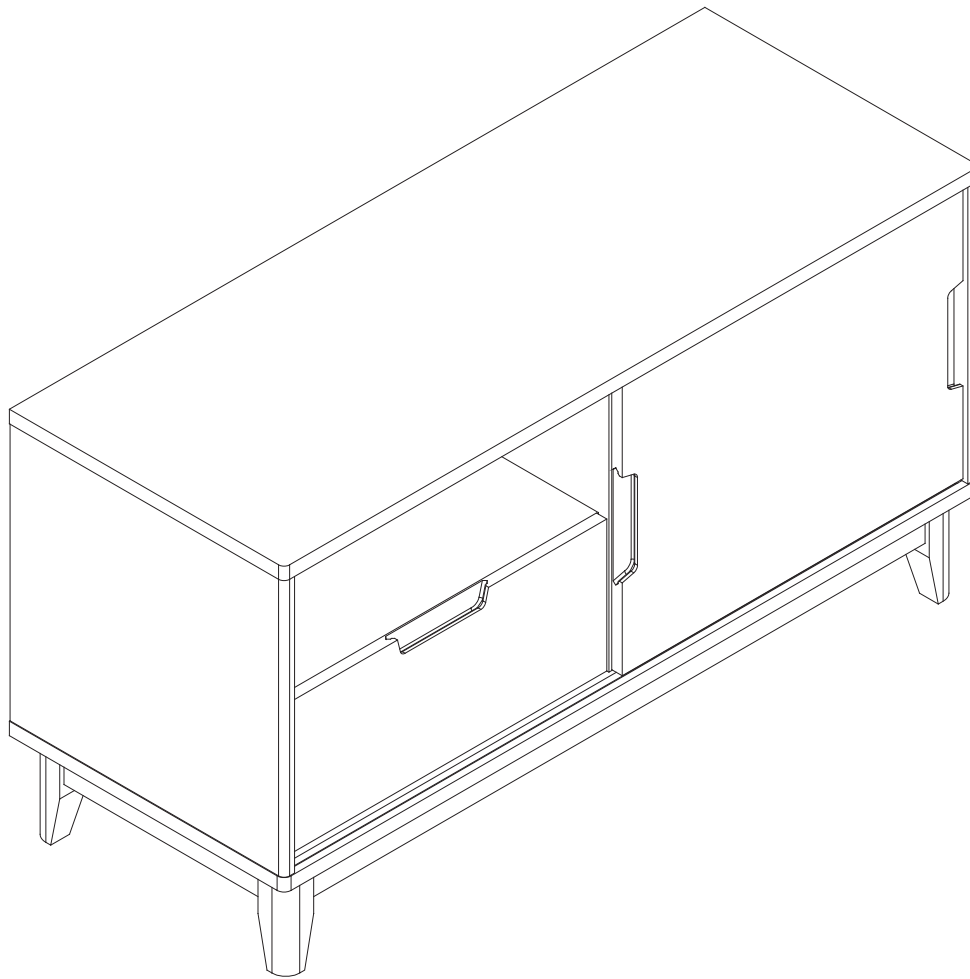


SKYE WOOD / WHITE TV UNIT

Assembly Instructions - Please keep for future reference

451/8969(D)



Dimensions

Width - 100cm
Depth - 39.5 cm
Height - 53 cm

Important - Please read these instructions fully before starting assembly

If you need help or have damaged or missing parts, call the **Customer Helpline: 0345 6400 800**

Issue 1-16-04-15



Safety and Care Advice

Important – Please read these instructions fully before starting assembly

Check you have all the components and tools listed on pages 2 and 3.
Remove all fittings from the plastic bags and separate them into their groups.
Keep children and animals away from the work area, small parts could choke if swallowed.
Make sure you have enough space to layout the parts before starting.

Assemble the item as close to its final position (in the same room) as possible.

Assemble on a soft level surface to avoid damaging the unit or your floor.

Assembly requires 2 people.

Keep this instructions for future use.

Do not stand or put excessive weight on the product, this could cause damage.



We do not recommend the use of power drill/drivers **for inserting screws,**

as this could damage the unit. Only use hand screwdrivers and Allen keys.

Dispose of all packaging carefully and responsibly.

Care and maintenance

Only clean using a damp cloth and mild detergent, do not use bleach or abrasive cleaners.

From time to time check that there are no loose screws on this unit.

This product should not be discarded with household waste. Take to your local authority waste disposal centre.

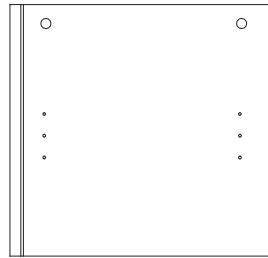
Components - Parts

If you have damaged or missing components.
call the **Customer Helpline**: 0345 6400 800

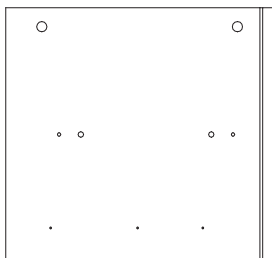
Please check you have all the parts listed below



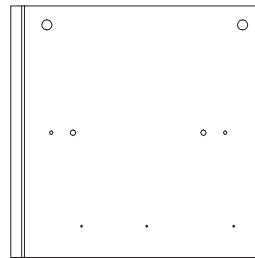
1 Shelf x 1
(47.6x33.5x1.5cm)



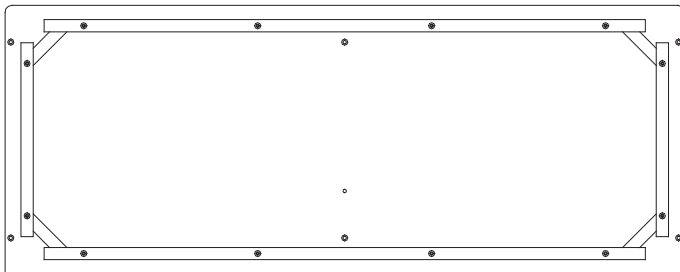
2 Right side panel x 1
(39.2x37x1.5cm)



3 Left side panel x 1
(39.2x37x1.5cm)



4 Divider x 1
(37x37x1.5cm)



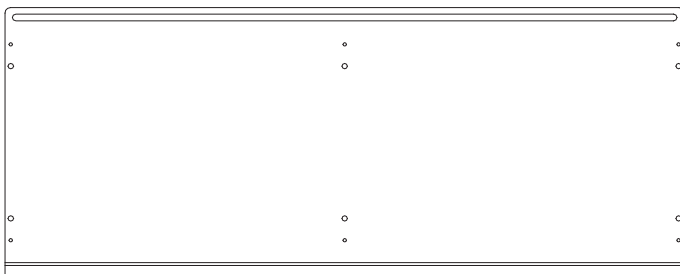
5 Base panel x 1
(100x39.5x6.3cm)



6 Foot x 4
(12.3x4x4cm)



7 Support bar x 1
(11.3x2.5x2.5cm)



8 Top panel x 1
(100x39.5x1.8cm)

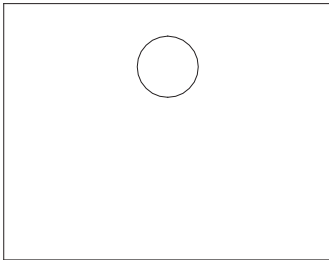


9 Back panel right x 1
(48.3x37.7x0.3cm)

Components - Parts

If you have damaged or missing components,
call the **Customer Helpline**: 0345 6400 800

Please check you have all the parts listed below



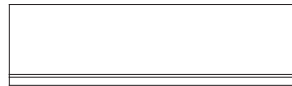
10 Back panel left x 1
(48.3x37.7x0.3cm)



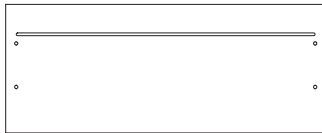
11 Drawer left panel x 1
(30x11.9x1.2cm)



12 Drawer right panel x 1
(30x11.9x1.2cm)



13 Drawer back panel x 1
(42.8x11.9x1.2cm)



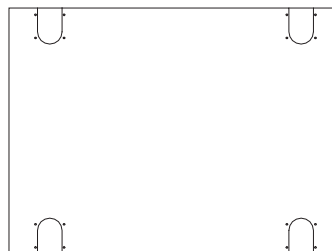
14 Drawer front panel x 1
(47.1x18.9x1.5cm)



15 Drawer bottom panel x 1
(43.5x29.4x0.3cm)



16 Adjustable shelf x 1
(47.5x35x1.2cm)



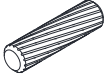
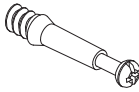
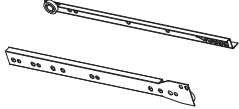
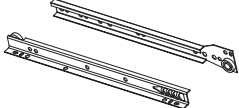

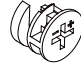
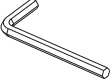
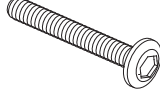


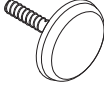
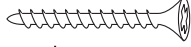
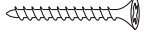


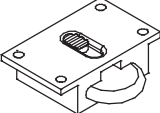
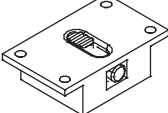

17 Door panel x 1
(49x36.4x1.5cm)

Components - Fittings

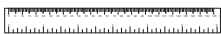
If you have damaged or missing components, call the **Customer Helpline: 0345 6400 800**

Please check you have all the fittings listed below

Note: The quantities below are the correct amount to complete the assembly. In some cases more fittings may be supplied than are required.

<p>A</p>  <p>Dowel x 16</p>	<p>B</p>  <p>Cam bolt x 14</p>	<p>C</p>  <p>Slide left x 1</p>
<p>D</p>  <p>Slide right x 1</p>	<p>E</p>  <p>$\Phi 3 \times 12$ Wood screw x 12</p>	<p>F</p>  <p>Cam-lock x 10</p>
<p>G</p>  <p>Allen key x 1</p>	<p>H</p>  <p>Hexagon Screw x 4</p>	<p>I</p>  <p>Washer x 4</p>
<p>J</p>  <p>Protector x 4</p>	<p>K</p>  <p>Leveler x 1</p>	<p>L</p>  <p>$\Phi 4 \times 40$ Wood screw x 7</p>
<p>M</p>  <p>$\Phi 4 \times 30$ Wood screw x 4</p>	<p>N</p>  <p>Cam-lock small x 4</p>	<p>O</p>  <p>Shelf pin x 4</p>
<p>P</p>  <p>Sliding door roller x 2</p>	<p>Q</p>  <p>Sliding door pin x 2</p>	<p>R</p>  <p>$\Phi 3 \times 12$ Wood Screw x 16</p>

Tools required

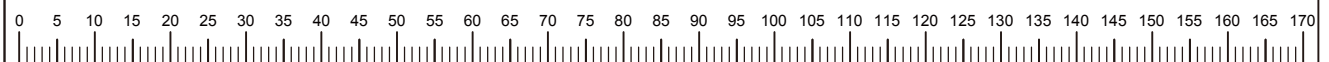


Ruler/tape measure
(Not supplied)



Phillips screwdriver
(Not supplied)

Ruler - Use this ruler to help correctly identify the screws

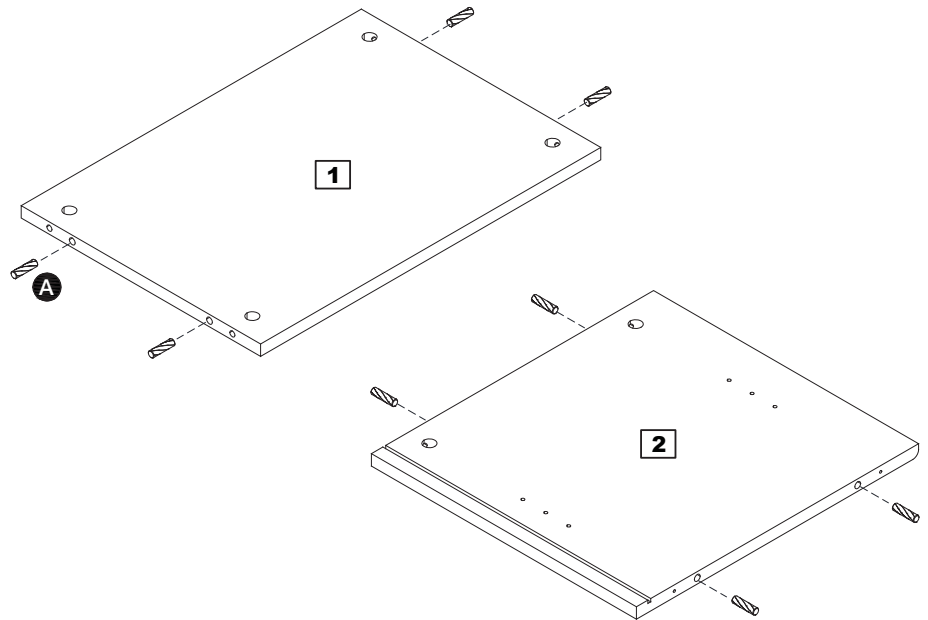


Assembly Instructions

Step 1

Preparing shelf and side panel

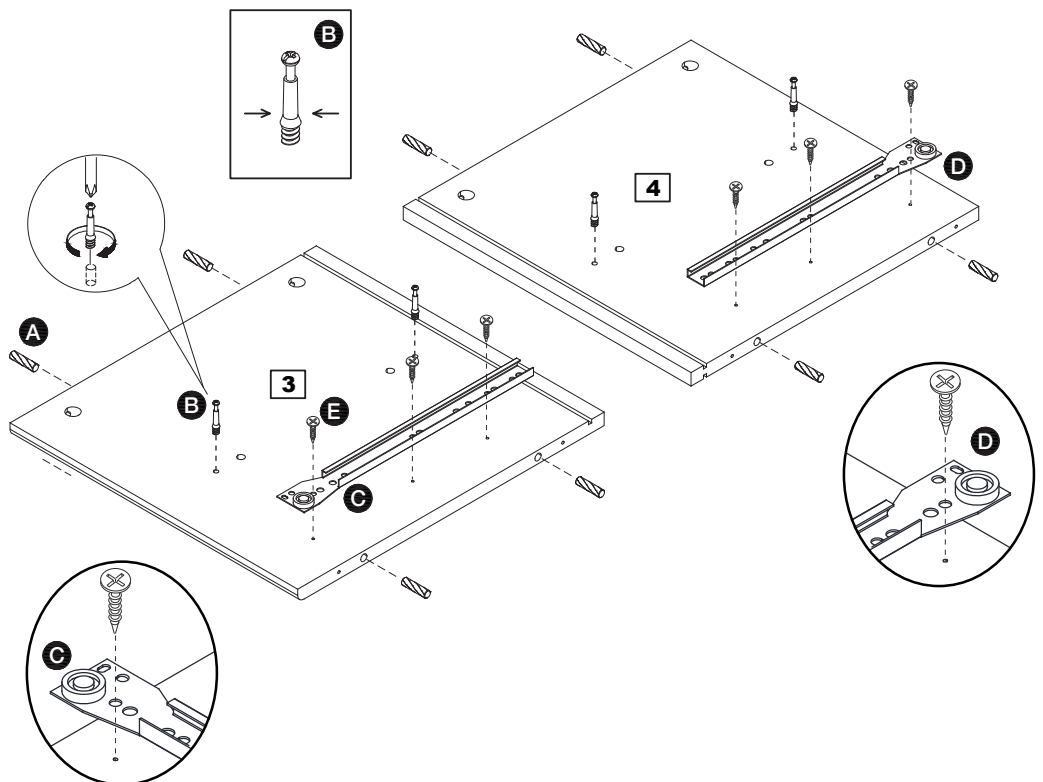
Insert dowels **A** into end of middle shelf **1** and right side panel **2** as shown.



Step 2

Preparing divider and side board

Plug dowels **A** into end of divider **4** and left side panel **3**; Screw cam-bolts **B** into divider **4** and left side panel **3**; Fix glider **C** and **D** on divider **4** and left side panel **3** with screw **E** as shown.



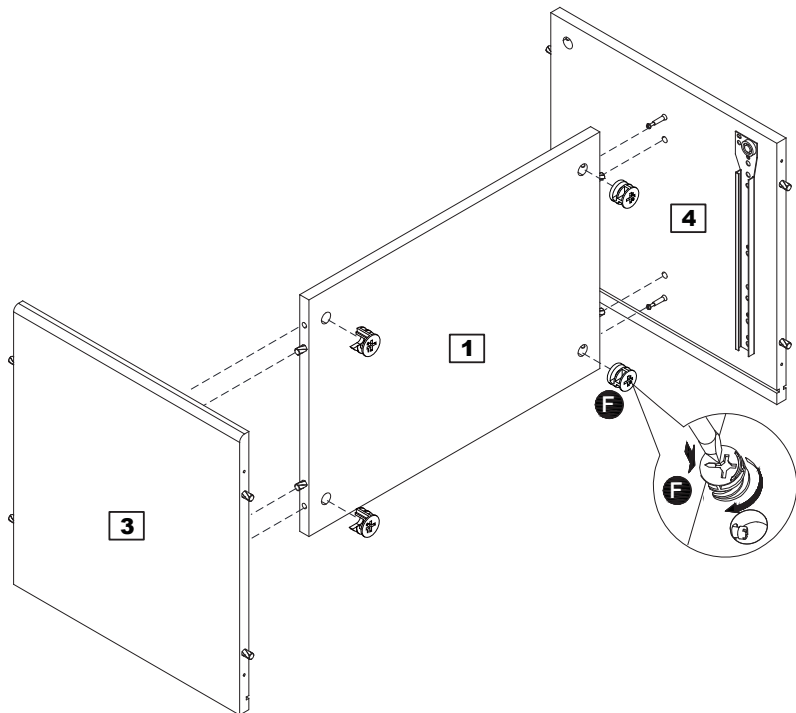
Assembly Instructions

Step 3

Assembling side panel and divider

Fix left side panel **3** and shelf **1** and divider **4** together with cam-lock **F** as shown.

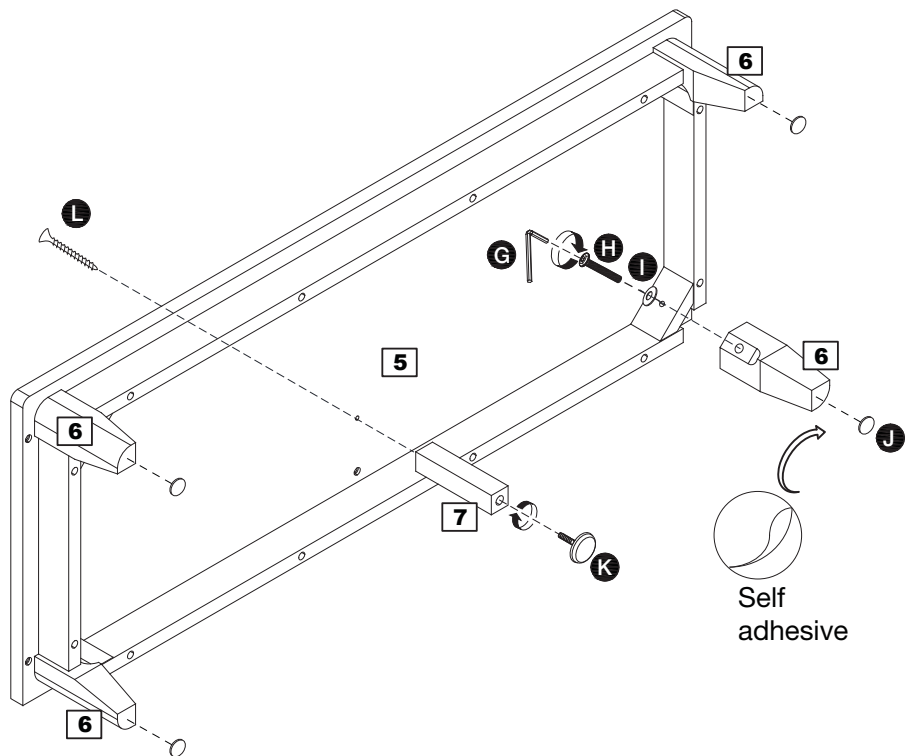
Note: Please pay attention to direction of each board.



Step 4

Assembling feet

Fix feet **6** on base panel with hexagon screws **H** and washer **I**. Stick protector **J** on the end of feet, fix support bar **7** on base panel with wood screw **L**, screw leveler **K** onto support bar as shown.



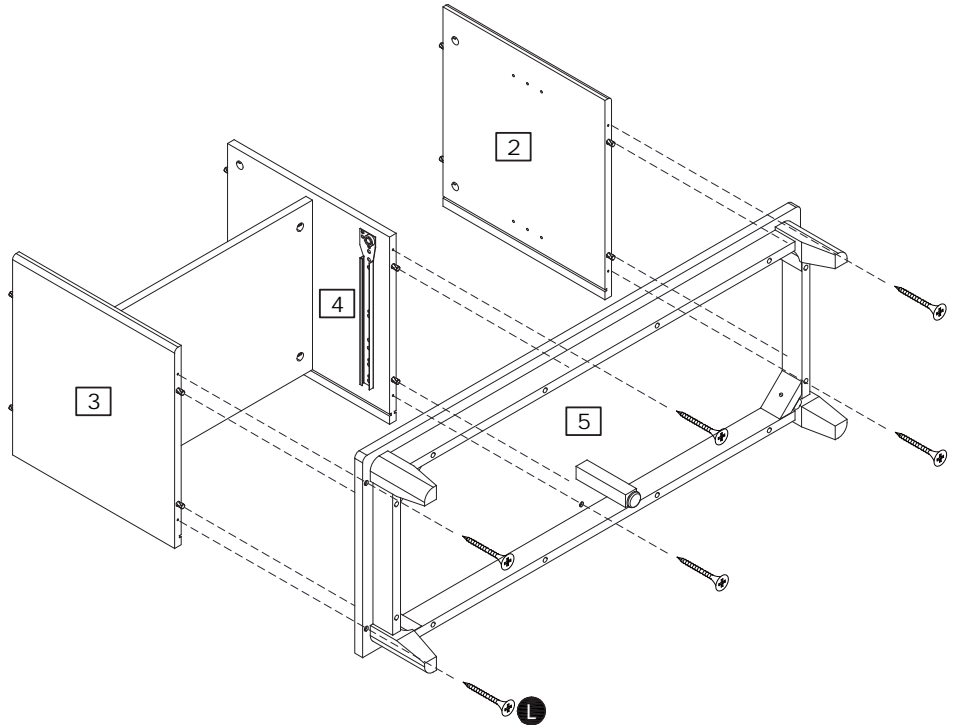
Assembly Instructions

Step 5

Assembling base panel

Fix base panel **5** on divider **4** and side panel **2** **3** with wood screw **L** as shown

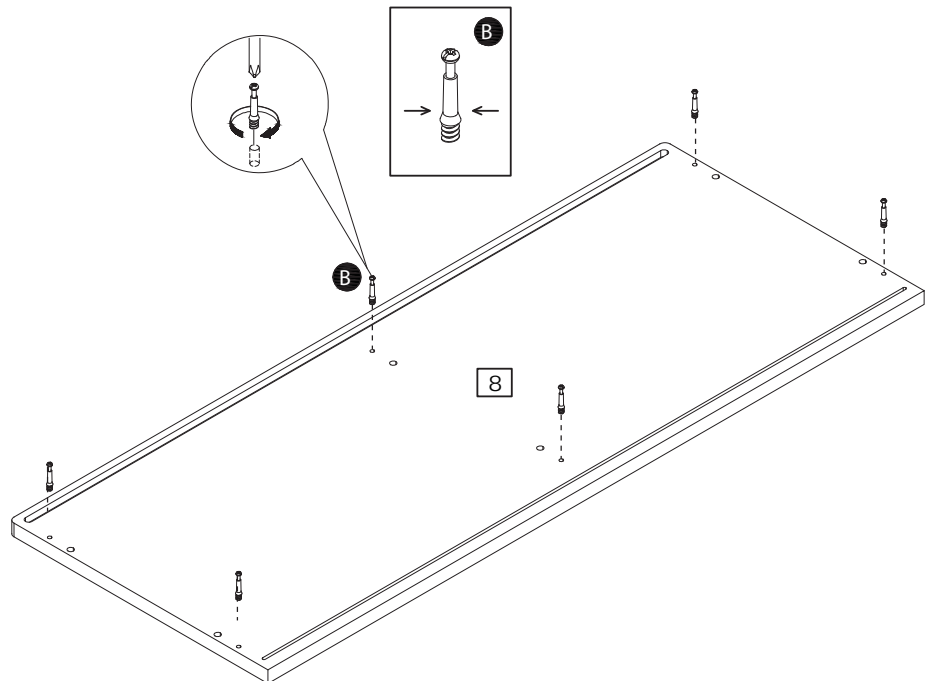
Note: Please pay attention of direction of board



Step 6

Preparing top panel

Screw cam-bolts **B** into top panel **8** as shown

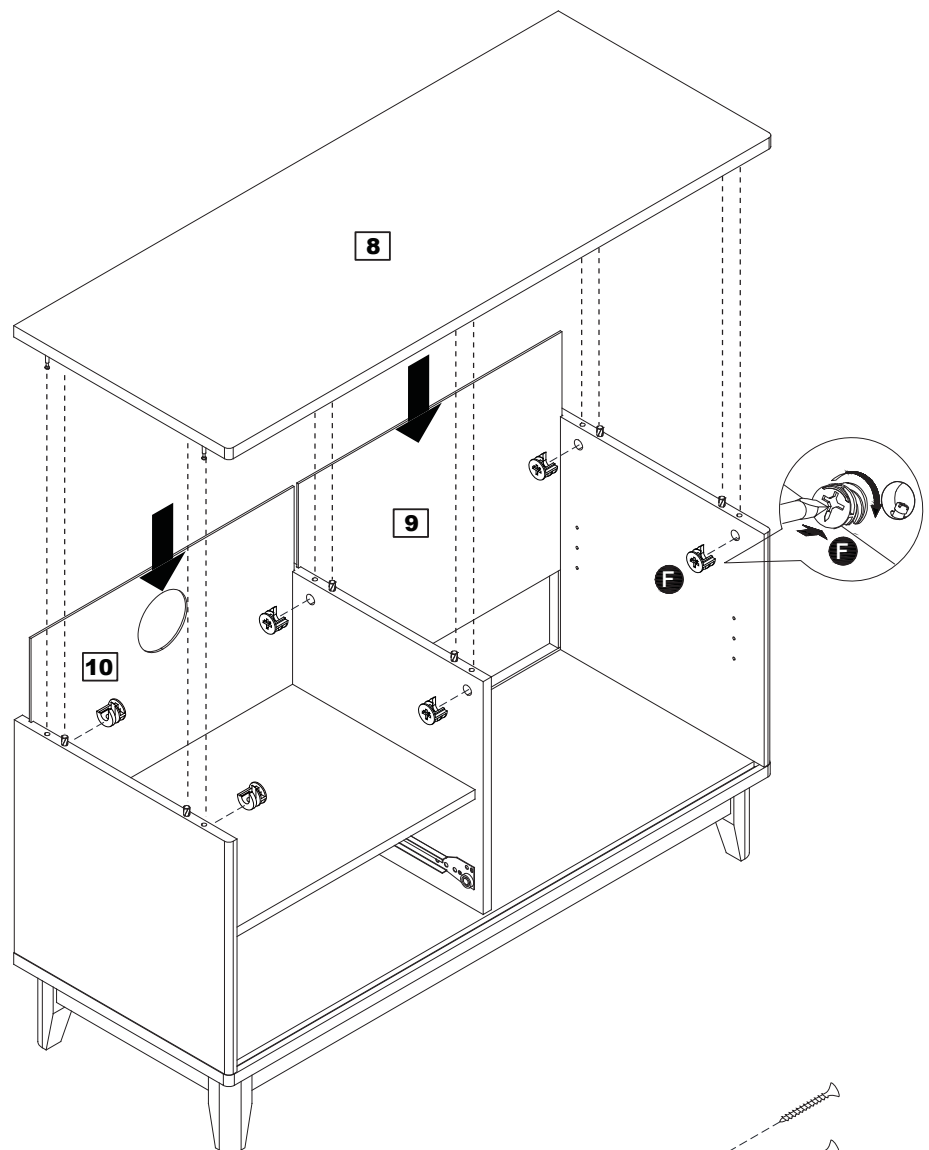


Assembly Instructions

Step 7

Assembling back panel and top panel

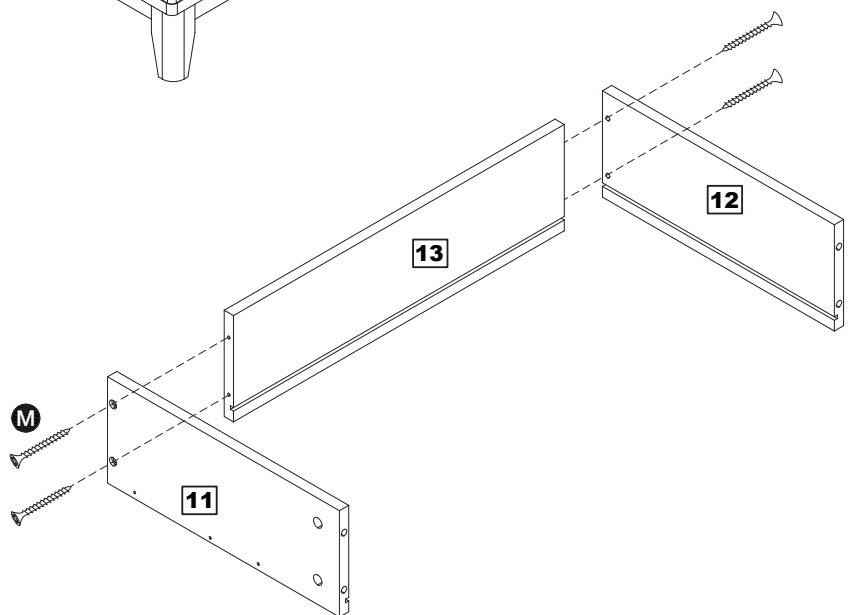
Slide back panel into groove, fix top panel **8** with cam-lock **F** as shown. Back panel 9 and 10.



Step 8

Assembling drawer frame

Fix drawer side panel **11**, **12** and back panel **13** together with wood screw **M** as shown.

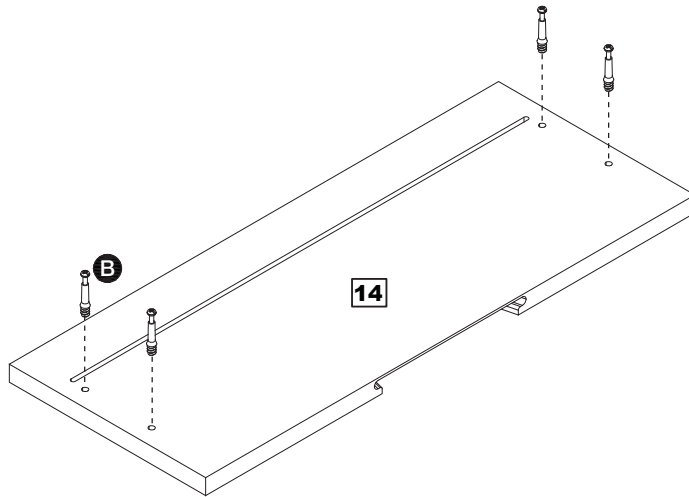


Assembly Instructions

Step 9

Preparing drawer front panel

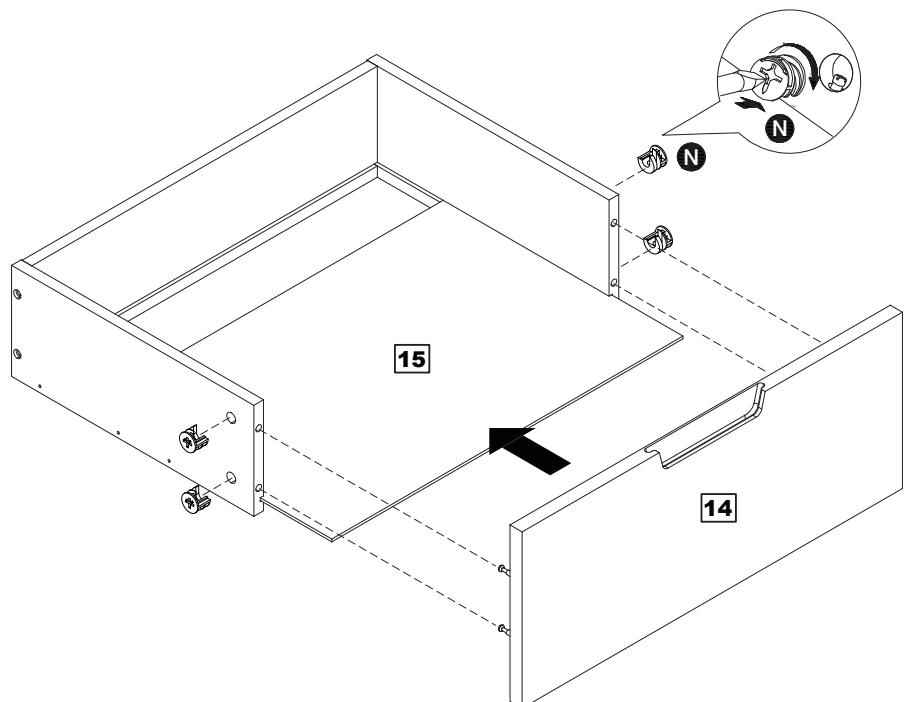
Screw cam-bolts **B** into drawer
Front panel **14** as shown.



Step 10

Assembling drawer

Slide drawer bottom **15**
into groove, fix drawer
front panel **14** with
cam-lock **N** as shown

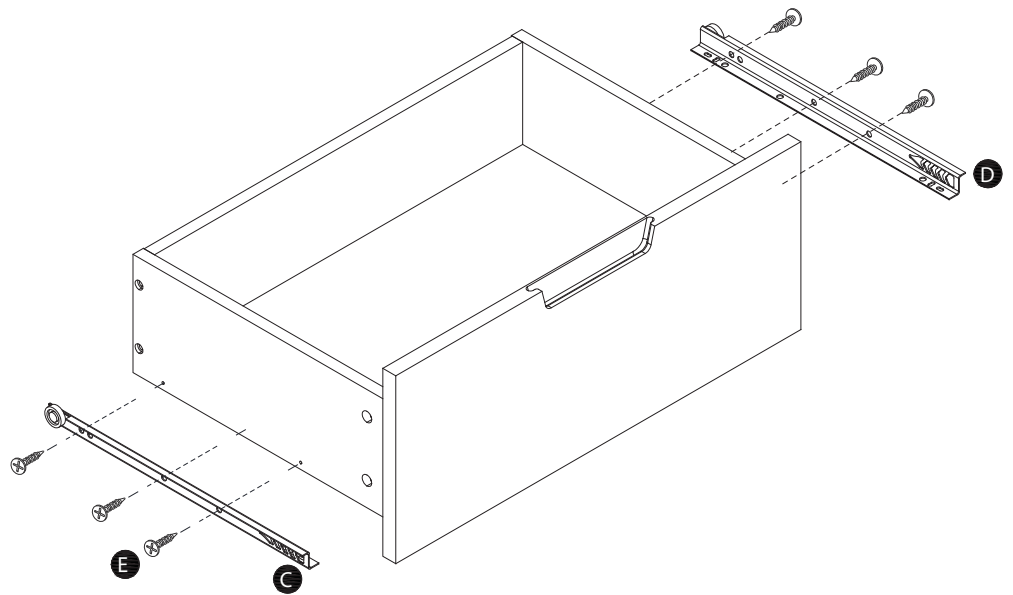


Assembly Instructions

Step 11

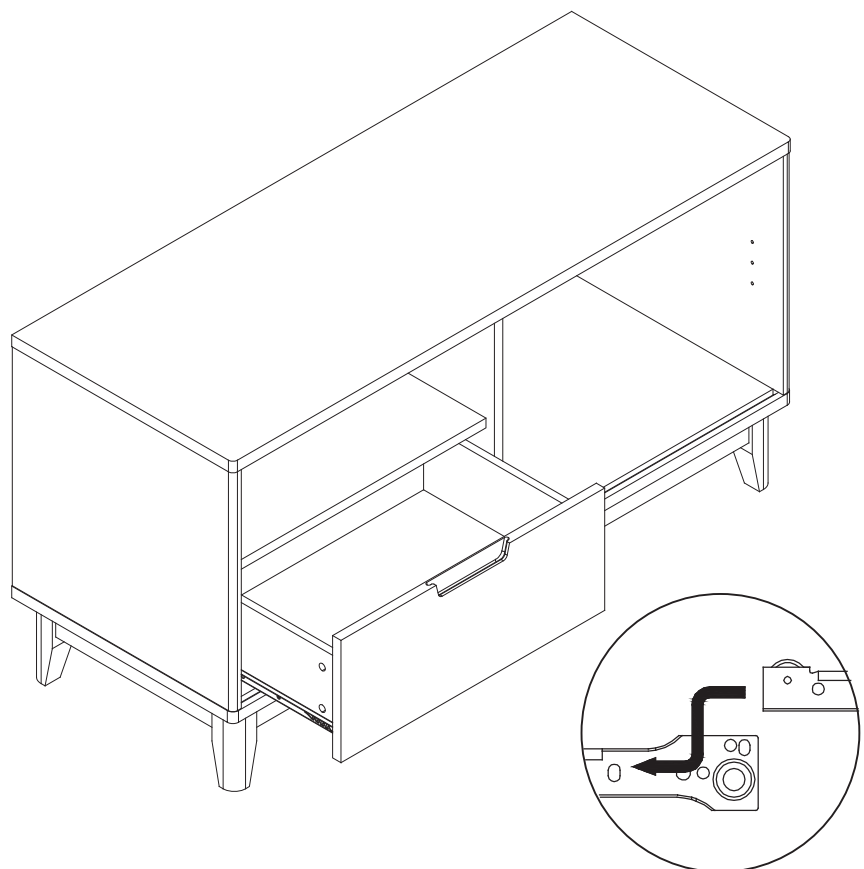
Assembling slide

Fix slide **C** **D** on drawer with wood screw **E** as shown



Step 12

Slide drawer into cabinet

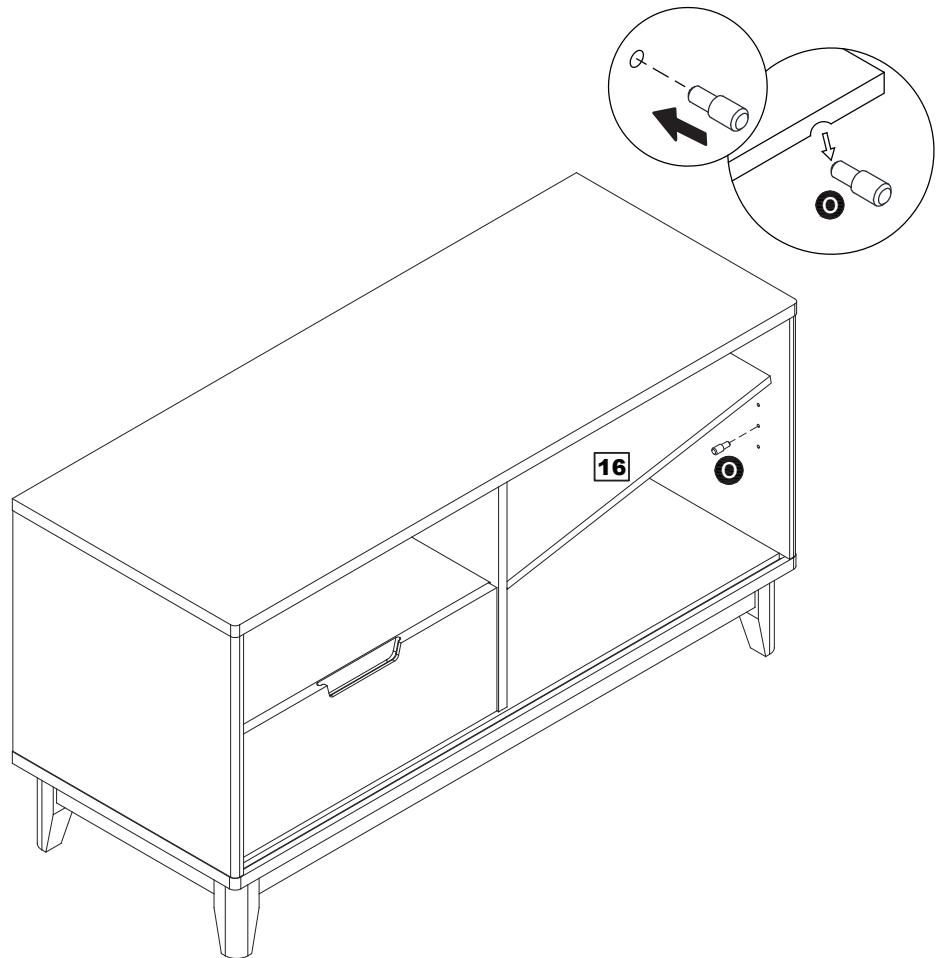


Assembly Instructions

Step 13

Assembling adjustable shelf

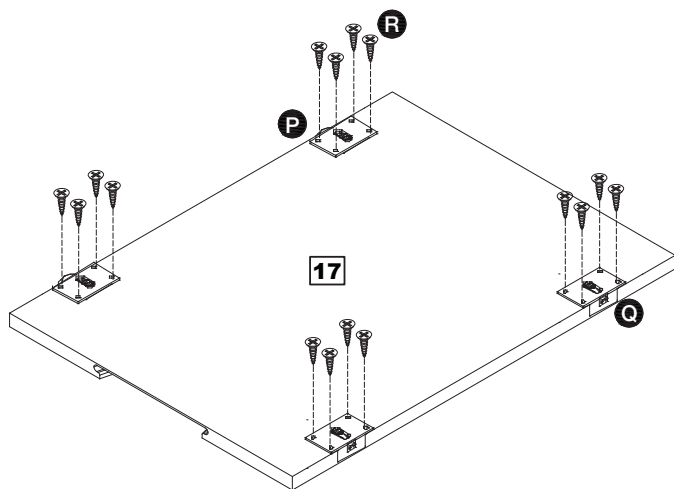
Plug in shelf pins **Q**, put adjustable shelf **16** on shelf pins



Step 14

Preparing door

Fix sliding door roller **P** and sliding door pin **Q** on door panel **17** as shown

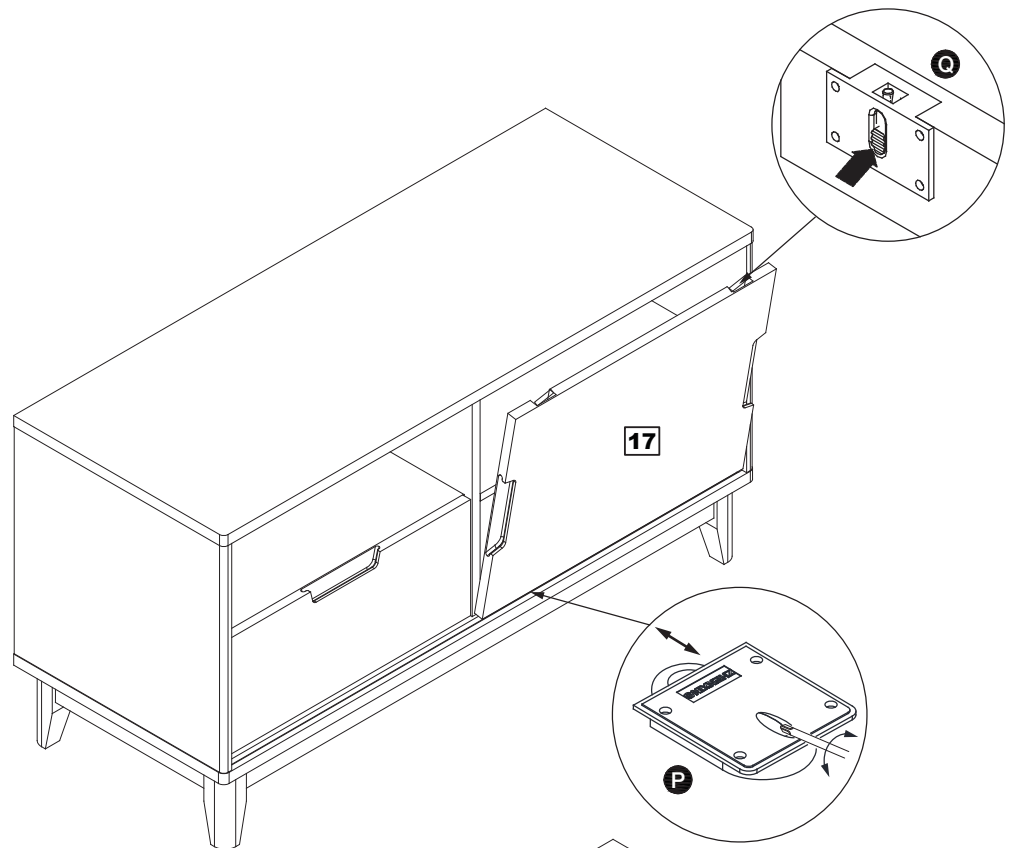


Assembly Instructions

Step 15

Assembling door

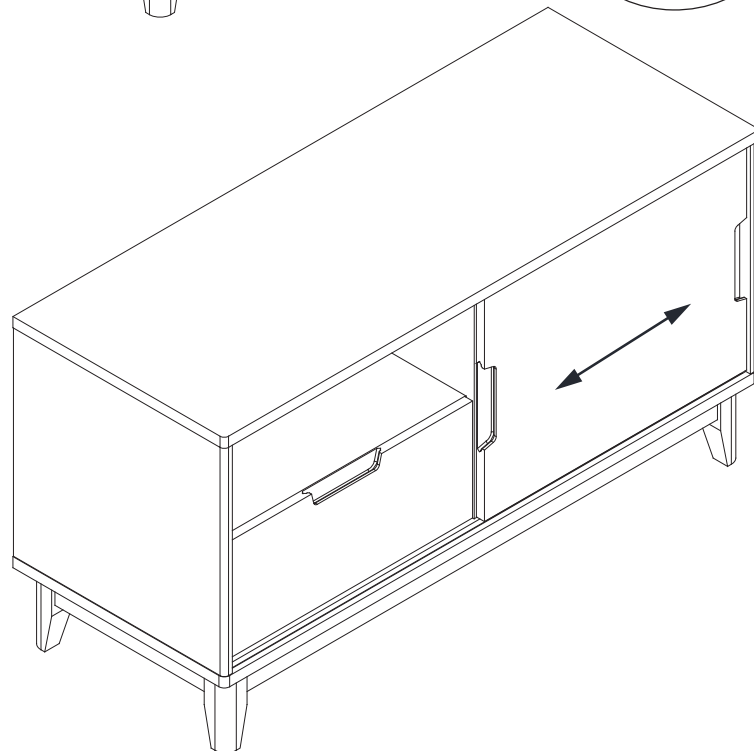
Put roller **P** into plastic groove, move door to make pins **Q** aim at top groove, then push button to stick out pins to lock door.



Step 16

Assembling door

Slide door to make sure it goes smoothly



Assembly is complete.

If you need help or have damaged or missing parts, call the **Customer Helpline: 0345 6400 800**
Home Retail Group. 489-499 Avebury Boulevard. Saxon Gate West. Central Milton Keynes. MK9 2NW