

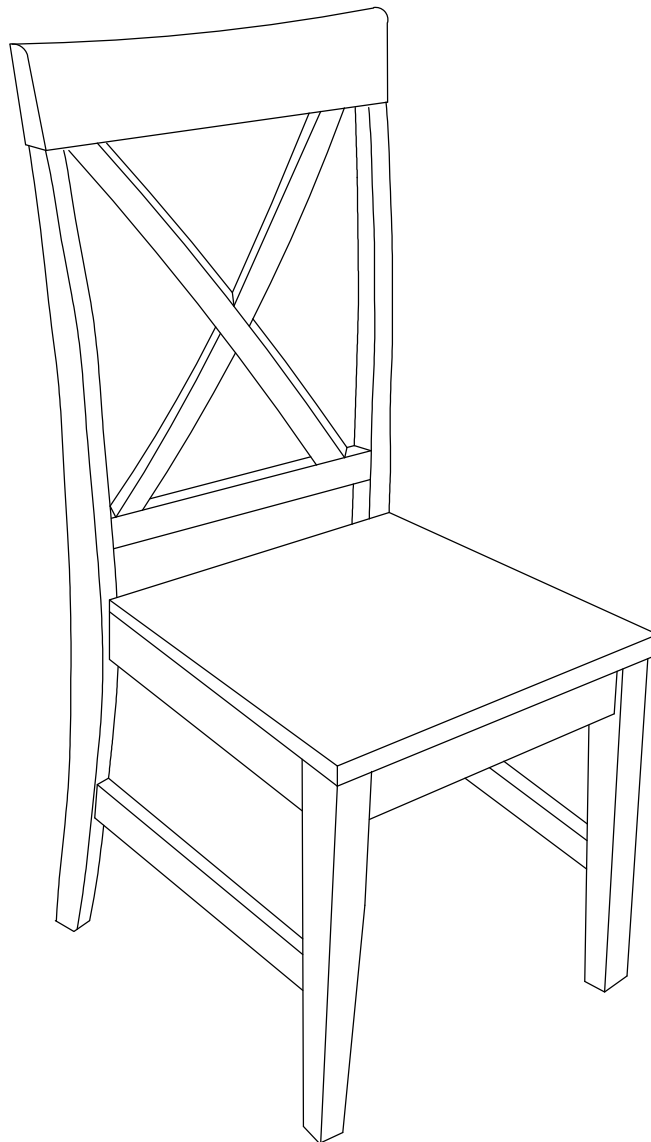
Pair Of Cross Back Chairs

Assembly Instructions - Please keep for future reference

451 / 6882

481 / 2562

H O
M E
BY ARGOS



Dimensions

Width - 43 cm
Length - 49 cm
Height - 93 cm


Important - Please read these instructions fully before starting assembly

If you need help or have damaged or missing parts, call the **Customer Helpline** :
Argos 0345 640 0800



Safety and care Advice

Important - Please read these instructions fully before starting assembly

- Check you have all the components and tools listed on pages 2.
 - Remove all fittings from the plastic bags and separate them into their groups.
 - Keep children and animals away from the work area, small parts could choke if swallowed.
 - Make sure you have enough space to layout the parts before starting.
 - During assembly do not stand or put weight on the product, this could cause damage.
 - Assemble the item as close to its final position (in the same room) as possible.
 - Assemble on a soft level surface to avoid damaging the unit or your floor.
 - Parts of the assembly will be easier with 2 people.
- 
- To reduce the likelihood of damaging your product please ensure that your power drill is set on a low torque setting.
 - Maximum Safe user weight : 110kgs
 - Do not stand on the chair
 - Do not use this chair as step ladder.

Care and maintenance

- Only clean using a damp cloth and mild detergent, do not use bleach or abrasive cleaners.
- From time to time check that there are no loose screws on this unit.
- This product should not be discarded with household waste. Take to your local authority waste disposal centre.

Handy Hints

- Assemble all parts and bolts loosely during assembly, only once the product is complete should you fully tighten the bolts
- Regularly check and ensure that all bolts and fittings are tightened properly.

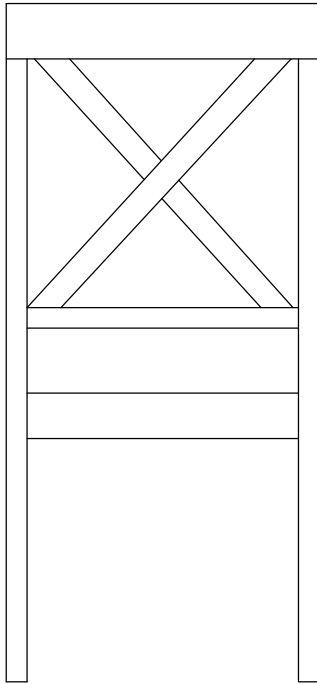
Note : if required the next page can be cut out and used as reference throughout the assembly. Keep this page with these instructions for future reference.

Components - Part

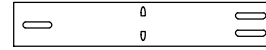
If you have damaged or missing components
, call the Customer Helpline :
Argos= 0345 640 0800

Please check you have all the parts listed below

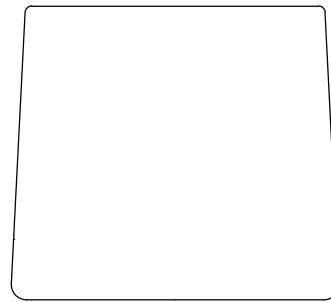
- 1 Back rest x2
(4.1 x 93.2cm)



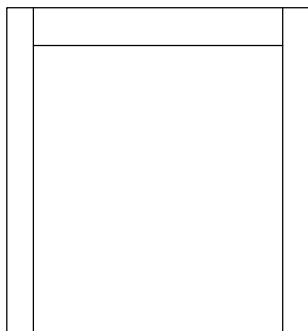
- 3 Seat Support x4
(2.0 x 6.0 x 33.2cm)



- 4 Seat Pad x2
(2.0 x 37.5 x 43.0cm)



- 2 Front Leg x2
(3.5 x 3.5 x 41.0cm)



- 5 Stretcher x4
(1.6 x 2.5 x 34.5cm)



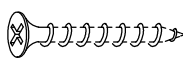



Components - Fittings

If you have damaged or missing components
, call the Customer Helpline :
Argos= 0345 640 0800

Please check you have all the parts listed below

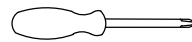
Note : The quantities below are the correct amount to complete the assembly. In some cases more fittings may be supplied than are required.

<p>A</p>  <p>M6 x 50mm JCBC Bolt x 12</p>	<p>B</p>  <p>Spring Washer x 12</p>	<p>C</p>  <p>M4 x 32mm Wood Screw x 14</p>
<p>D</p>  <p>Allen Key x 1</p>		

Tools required



Ruler/tape
measure



Philips screwdriver

Ruler - Use this ruler to help correctly identify the screws

0 5 10 15 20 25 30 35 40 45 50 55 60 65 70 75 80 85 90 95 100 105 110 115 120 125 130 135 140 145 150 155 160 165 170



The screws length is measured from the head to the point (30mm screw shown).

Assembly Instructions

Step 1

Preparing Front Legs

Place front leg **2** face down onto the floor.

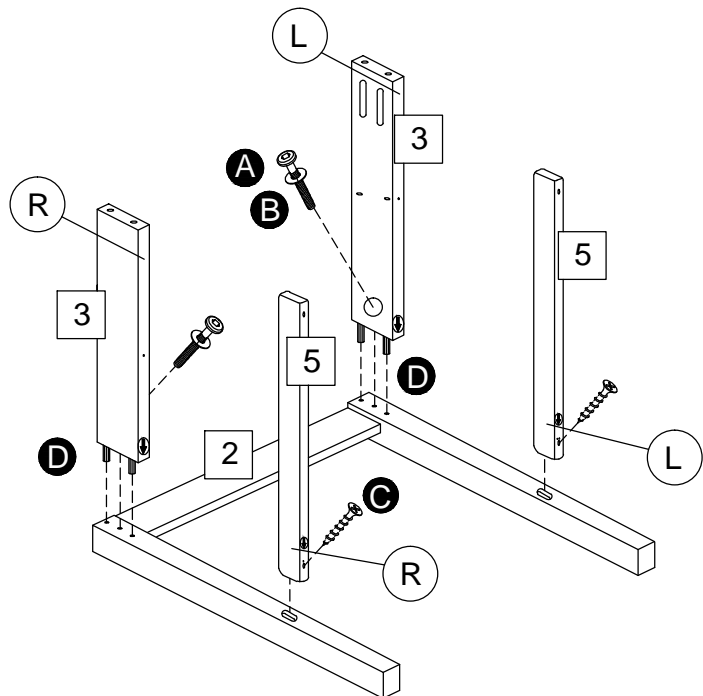
Carefully align seat supports **3** onto front leg **2** and secure using fixings **A** and **B**.

Note : Do not fully tighten at this stage.

Locate stretchers **5** into the lower holes in front leg **2** and push firmly into position.

Note : Ensure the fixing holes in stretchers **5** are facing down.

Secure small stretchers using screws **C**.



Step 2

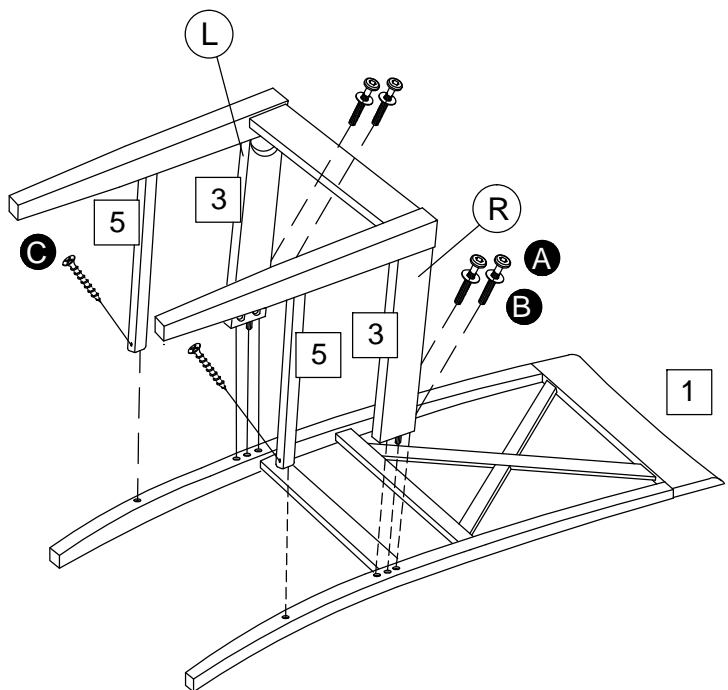
Attaching Back rest

Lay back rest **1** flat on the floor with the fixing holes facing up.

Carefully align the seat supports **3** and stretchers **5** with the holes in back rest **1**.

Secure using fixings **A** and **B** for the seat supports and screws **C** for the stretchers **5**.

Note : Do not fully tighten bolts at this stage.



Assembly Instructions

Step 3

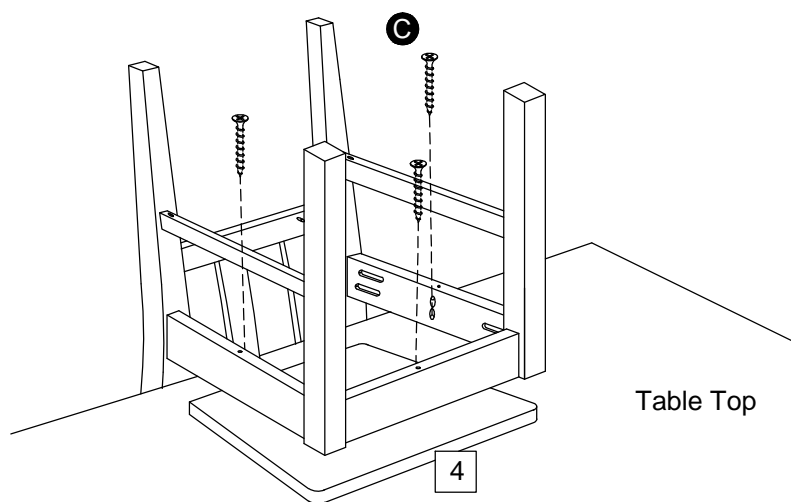
Assembling Seat Pad

Place seat pad **4** upside down on a stable flat surface (i.e edge of table).

Turn chair frame upside down and locate onto seat pad **4**.

Adjust chair frame until it is correctly aligned with the seat pad **4**.

Secure using screws **C**.



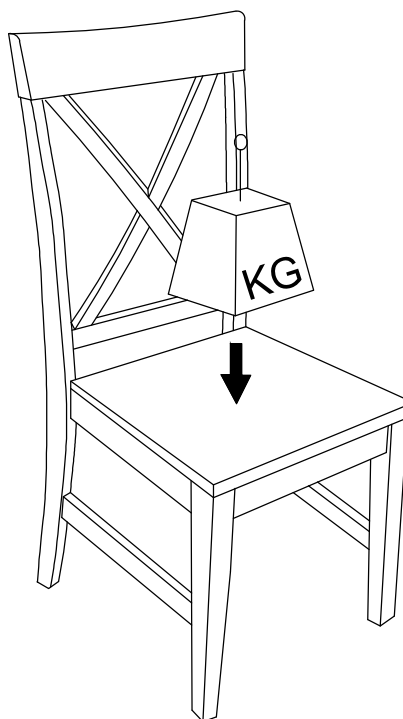
Step 4

Completing Assembly

Turn chair upright and place on a level surface.

Whilst applying a firm downward pressure to the seat, tighten all screws.

Assembly is complete.



If you need help or have damaged or missing parts, call the **Customer Helpline** :
Argos = 0345 640 0800