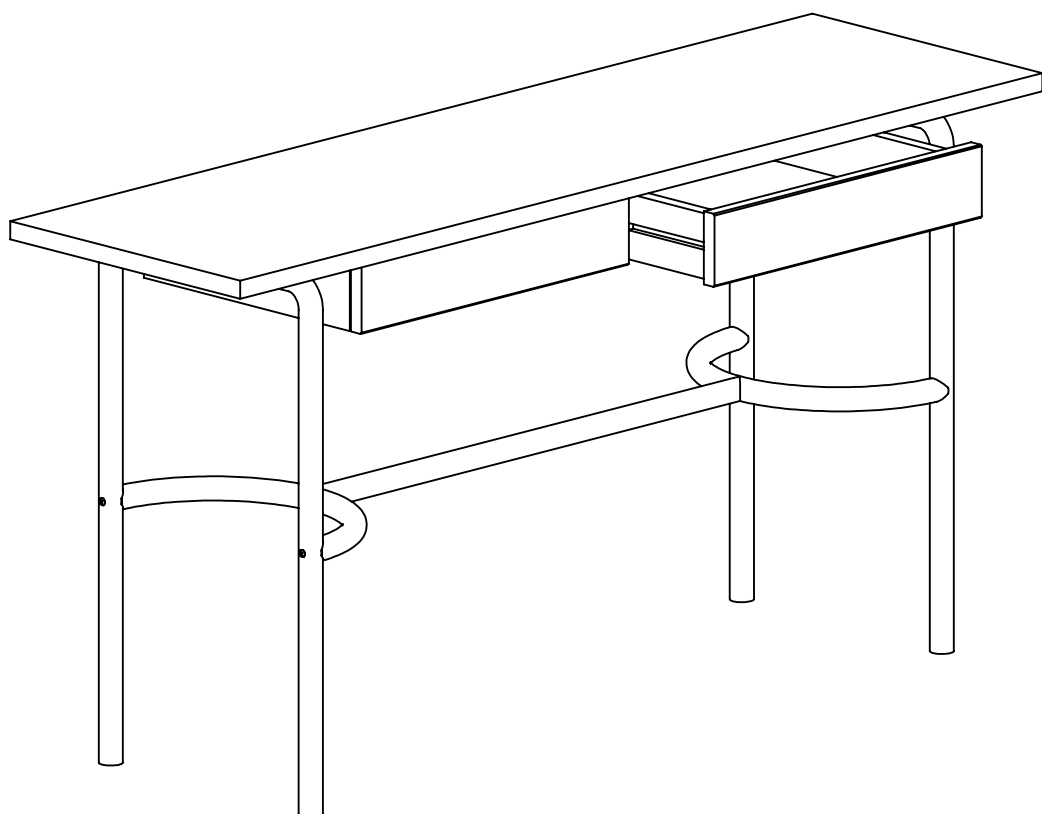


YEOMAN
console

habitat 

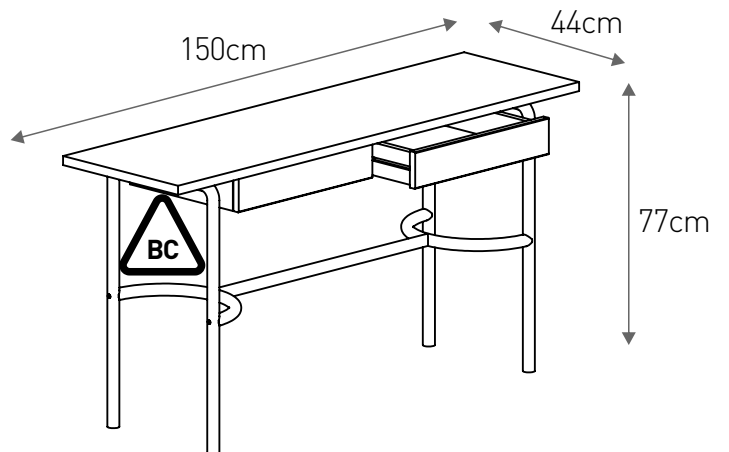
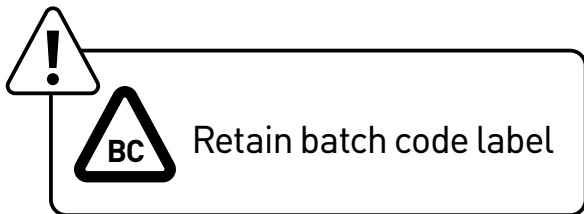
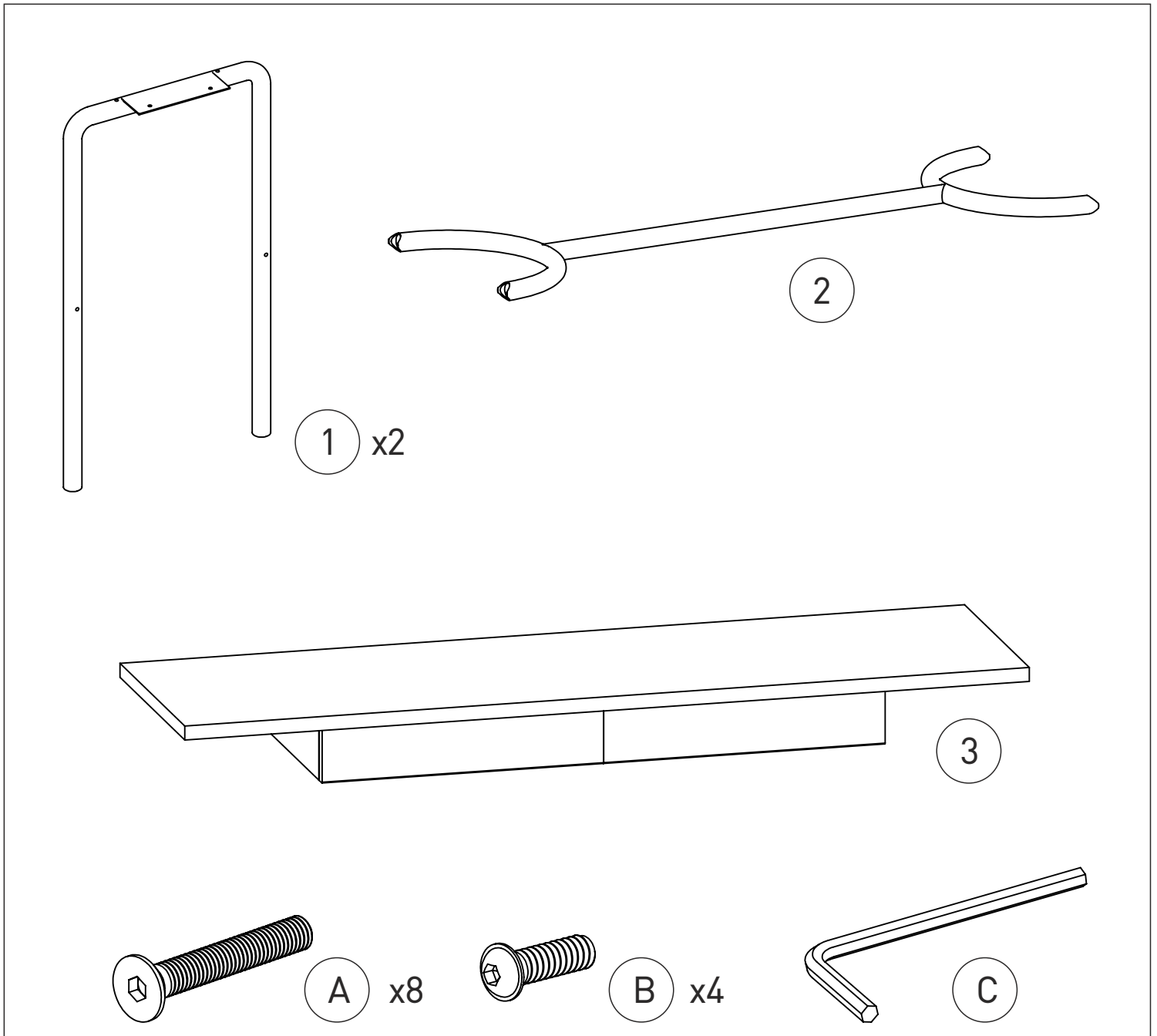
238655

YEO-CO-SS14-A



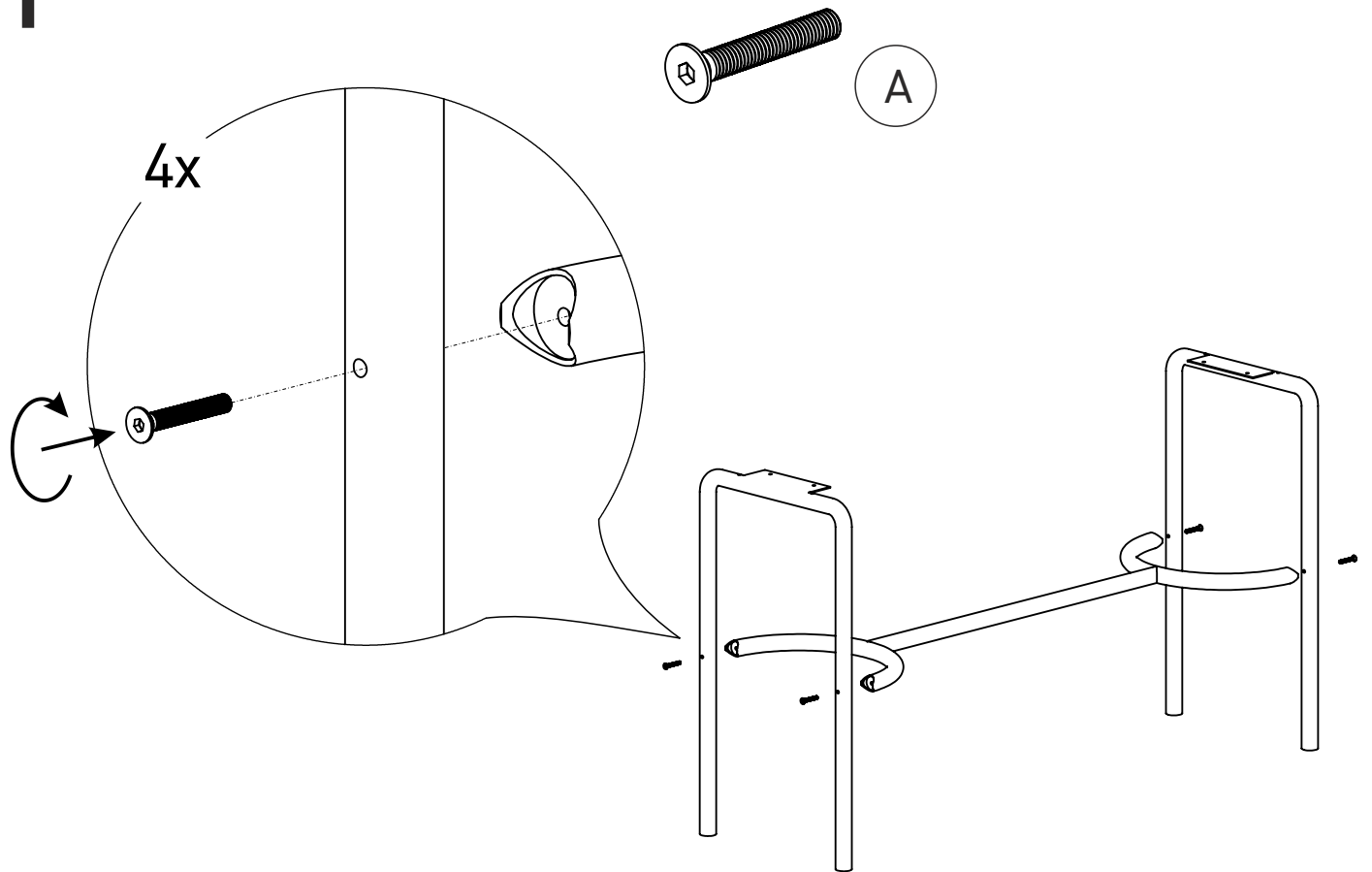
habitat 

Components

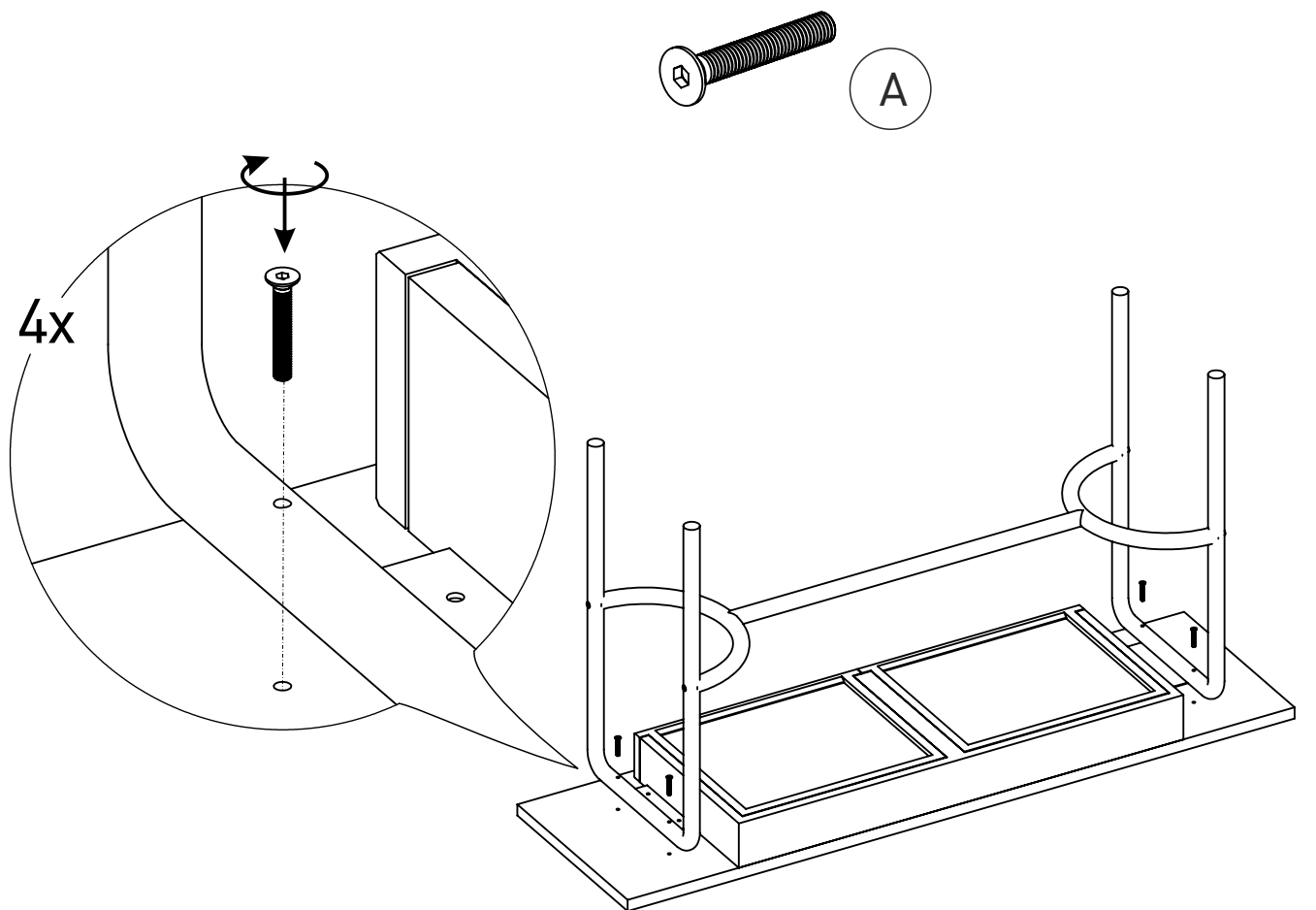


Assembly Instructions - Keep in a safe place for future reference

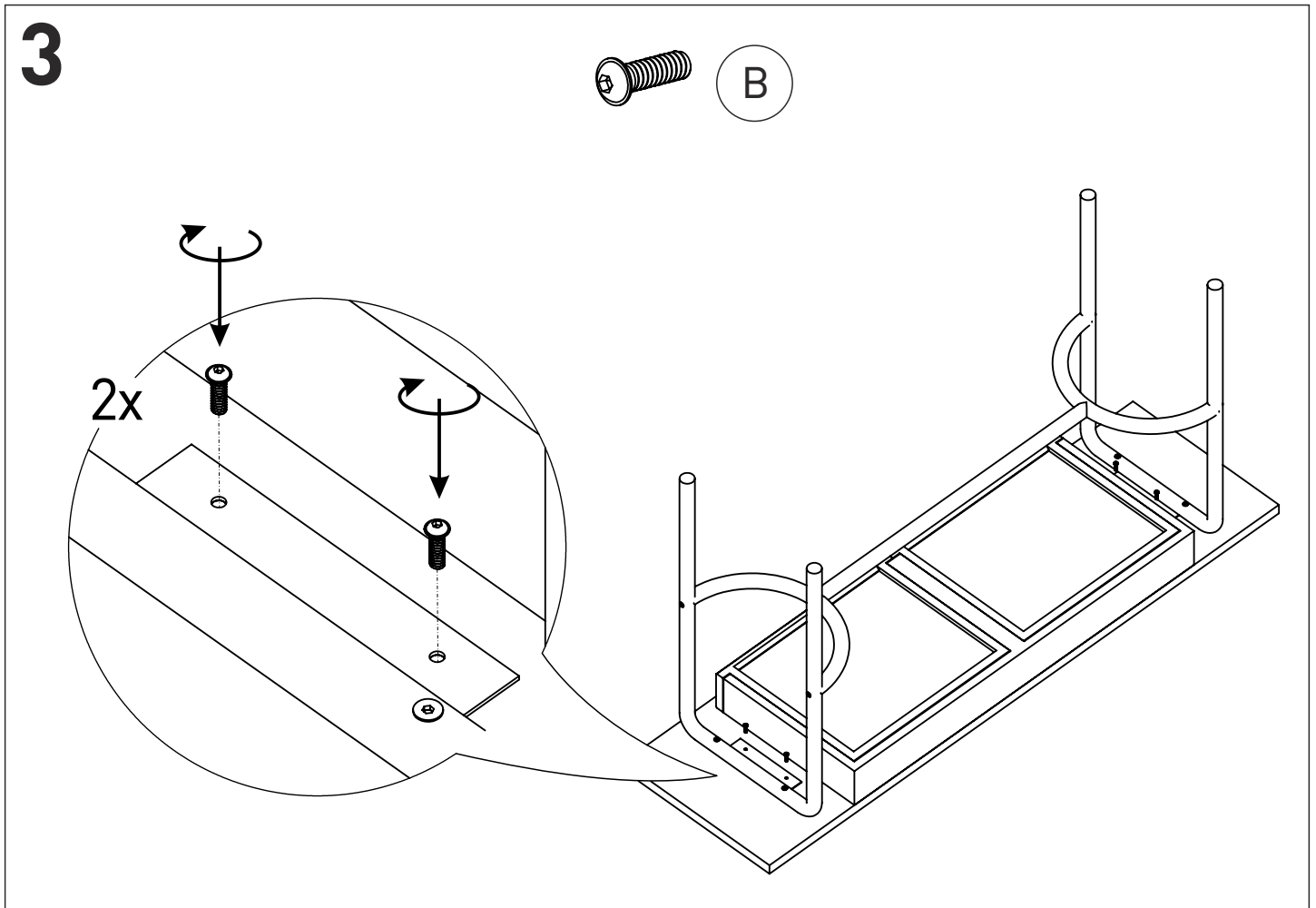
1



2



Assembly Instructions - Keep in a safe place for future reference



General Care Advice - please read carefully

Important Information About Zinc Tops

The YEOMAN range is topped with zinc, a traditional, old-fashioned work surface that's designed to age. The beauty of the surface emerges with use, oxidising to develop a natural blue/grey patina.

A non-porous material, zinc has natural anti-bacterial properties. As it's relatively soft, slight dents and abrasions come with any normal use of the metal, and are an intrinsic part of its character.

Zinc is a 'living' material, so marks or discolouration can result as reactions to its surrounding environment. Reactive to acidic and alkaline foods and drinks (i.e. those containing vinegar, lemon juice, wine, etc.) as well as other substances, even water and fingerprints can affect its look. Over time these marks blend together, adding to the zinc top's naturally developing patina – so don't panic when you make your first mark!

However, it's important to bear in mind that, as with any aging process, there can be an awkward stage when the surface starts to look stained. Bear with it – the finish weathers to become beautiful.

General Care Advice - please read carefully

Taking Care of Your YEOMAN Zinc Tops

- Help reduce the chance of staining by wiping up any spills immediately with a soft dry cloth, before wiping the whole table surface down with a mild soapy solution. Dry thoroughly with a clean cloth to avoid water marks and streaking.
- Avoid ring marks by using coasters.
- Don't use indoor furniture outside. Continual exposure in a damp or wet environment will cause corrosion.

Cleaning Instructions for Zinc Tops

- Wipe the whole surface down regularly with a mild soapy solution and dry thoroughly with a clean cloth to avoid water marks and streaking.
- Regularly dust the metal legs with a clean dry cloth to avoid the build-up of dirt and dust that can cause small pits in the paint finish.
- Never use abrasive cleaners on your YEOMAN piece as they will scratch its soft surface.
- Do not clean with products containing the following: - Acetone (e.g. nail varnish remover), Ammonia (e.g. bleach) or sodium hydroxide (e.g. Caustic soda and oven cleaners).
- The use of furniture polish or spray is not necessary or recommended. If you want to polish the surface, use good-quality beeswax.
- Don't be tempted to spot clean as this can lead to patchy results.

Metal leg elements

We give below some suggestions for metal furniture care.

- Dust regularly to avoid dirt build-up. Dust can cause the surface to pit.
- Repair damaged surfaces immediately to prevent the metal underneath from rusting.

WARNING

- Don't use harsh abrasives to clean any metal surfaces.
- Do not allow spillages to stay in the surface for long.
- Do not clean with products containing the following: - Acetone (e.g. nail varnish remover), Ammonia (e.g. bleach) or sodium hydroxide (e.g. Caustic soda and oven cleaners).
- Don't use indoor furniture outside. Continual exposure in a damp or wet environment will cause corrosion.

Periodically check that there are no loose screws on the unit.

General Care Advice - please read carefully

Wood elements

We would recommend that you protect this furniture from spills - any spillage should be removed immediately to avoid staining by using a damp cloth, then wiping dry the surface with a clean dry duster. Repeat this procedure for periodic cleaning. The use of furniture polishes or sprays is not necessary or recommended.

Wood is a beautiful natural material. It is important to understand its unique properties which should not be mistaken for flaws.

Each piece will have a slightly different grain pattern. Variation in colour, shading and grain between different products and within the same product can occur. This is a normal feature of all natural wood furniture.

- Take care when moving furniture, dragging pieces across the floor will damage the joints.
- Take care to prevent sharp objects e.g. toys, buckles and heels from coming into contact with your furniture, and avoid contact with chemicals e.g. cosmetics or hair products which may permanently mark the surface.
- Avoid exposing your furniture to direct and prolonged periods of sunlight and heat sources as fading or cracking may result.

If your furniture becomes stained, scratched chipped or suffers other damage we would recommend professional help is sought to restore it.

If for any reason you should have problems with your Habitat product please contact the store from which you purchased your product.

If you have any comments or suggestions regarding this product, assembly instructions or service received, please enquire at your nearest store or contact us on our website at:

www.habitat.co.uk or write to this address:

Habitat Retail Ltd. 489-499 Avebury Boulevard,
Milton Keynes MK9 2NW