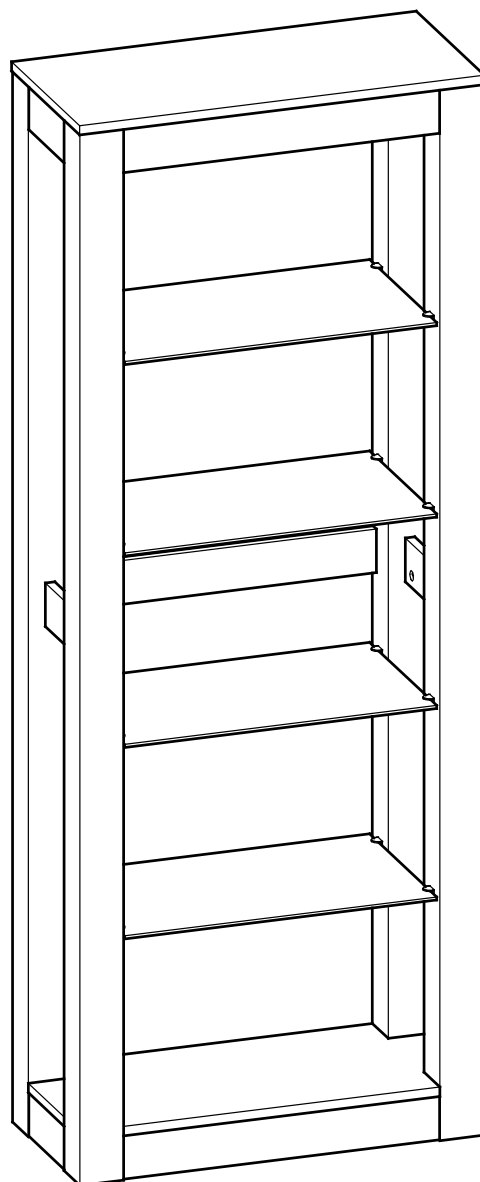


Hygena Cubic Wood Glass Display Unit

Assembly Instructions - Please keep for future reference

450/4382D



Dimensions

Width - 65cm

Depth - 30cm

Height - 170cm

Important – Please read these instructions fully before starting assembly

If you need help or have damaged or missing parts, call the Customer Helpline: 03456 400800



Safety and Care Advice

Important – Please read these instructions fully before starting assembly

- Check you have all the components and tools listed on pages 3 & 4.
- Remove all fittings from the plastic bags and separate them into their groups.
- Keep children and animals away from the work area, small parts could choke if swallowed.
- Make sure you have enough space to layout the parts before starting.

- Do not stand or put weight on the product, this could cause damage.
- Assemble the item as close to its final position (in the same room) as possible.
- Assemble on a soft level surface to avoid damaging the unit or your floor.
- Parts of the assembly will be easier with 2 people.



- We do not recommend the use of power drill/drivers for inserting screws, as this could damage the unit. Only use hand screwdrivers.
- Dispose of all packaging carefully and responsibly.

Glass safety – Take care when handling glass, please follow the advice below

- If a glass component is chipped or broken replace with glass of the type described on this instructions. Consult the manufacturer, retailer or agent with regard to obtaining a manufacturing specification and shape for replacement glass quoting the model number, and batch or date of manufacture.

- Do not place very hot or cold items against or in close proximity to the glass surfaces unless adequately thick insulating material is used to prevent such items coming into contact with the glass.
- Do not strike the glass with hard or pointed items.

- When cleaning glass panels or mirrors use a damp cloth or leather with washing up liquid or soft soap if necessary.
- Do not use washing powders or any other substances containing abrasives since these substances scratch glass.

Care and maintenance

- Only clean using a damp cloth and mild detergent, do no use bleach or abrasive cleaners.

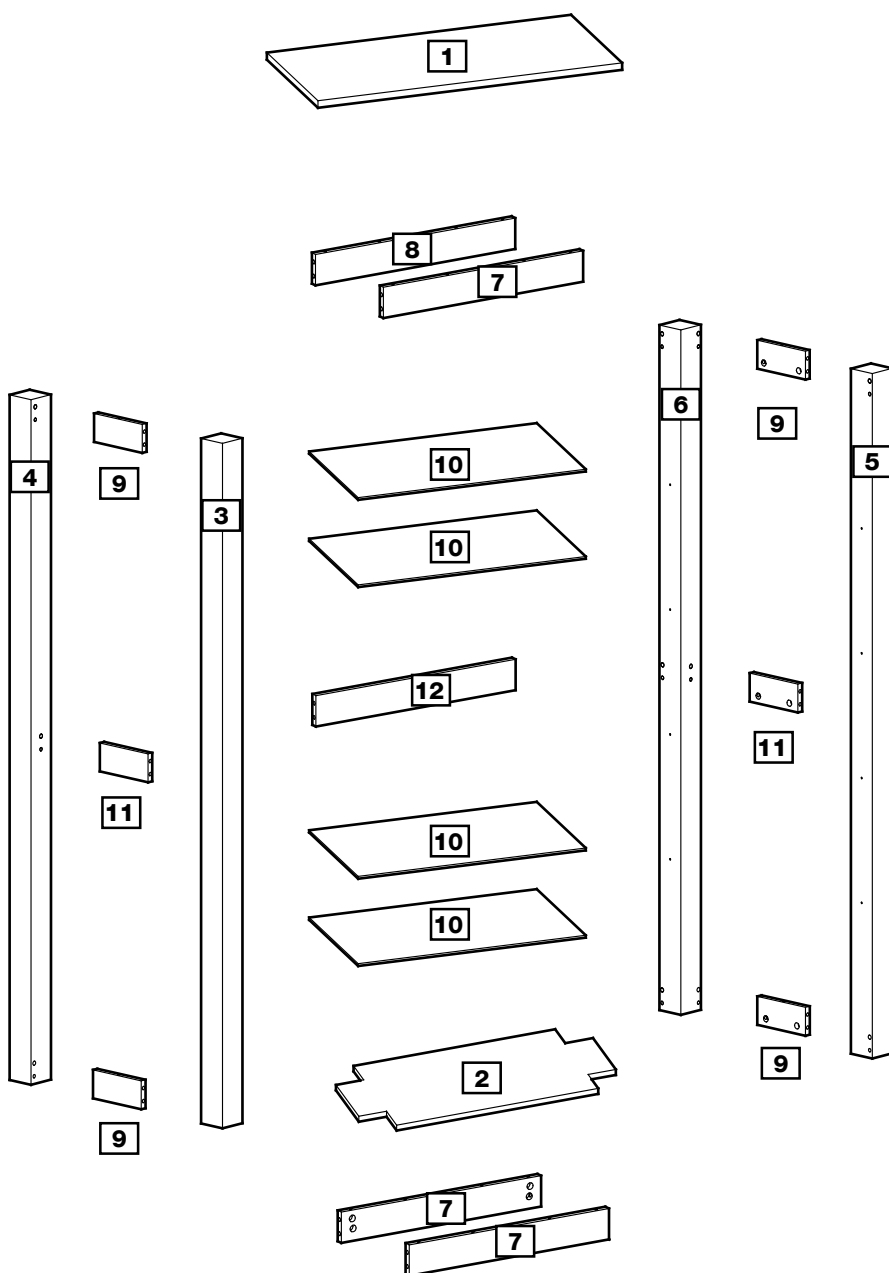
- From time to time check that there are no loose screws on this unit.

- This product should not be discarded with household waste. Take to your local authority waste disposal centre.

Note: if require the next page can be cut out and used as reference throughout the assembly. Keep this page with these instructions for future reference.

Components - Panels

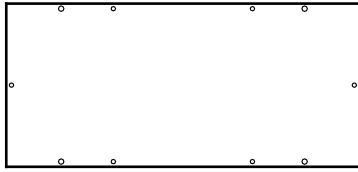
Please check you have all the panels listed below



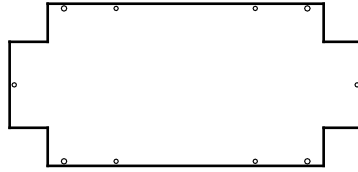
- 1** Top panel
(650 x 300 mm)
- 2** Bottom panel
(646 x 296 mm)
- 3** Front left post
(1685 x 70mm)
- 4** Rear left post
(1685 x 70mm)
- 5** Front right post
(1685 x 70mm)
- 6** Rear right post
(1685 x 70mm)
- 7** Front top rail x 1
Bottom rail x 2
(508 x 70mm)
- 8** Rear top rail
(508 x 70mm)
- 9** Side top rail x 2
Side bottom rail x 2
(158 x 70mm)
- 10** Glass shelf x 4
(500 x 296mm)
- 11** Side middle rail x 2
(158 x 70mm)
- 12** Rear middle rail
(508 x 70mm)

Components - Panels

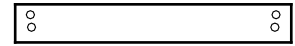
Please check you have all the panels listed below



1 Top panel
(650 x 300 mm)



2 Bottom panel
(646 x 296 mm)



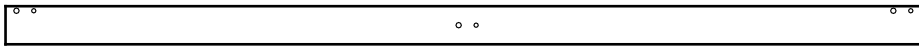
7 Front top rail x 1
Bottom rail x 2
(508 x 70mm)



3 Front left post
(1685 x 70mm)



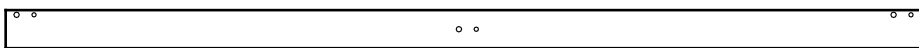
8 Rear top rail
(508 x 70mm)



4 Rear left post
(1685 x 70mm)



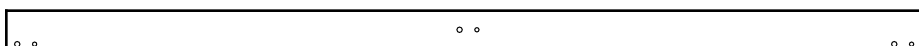
9 Side top rail x 2
Side bottom rail x 2
(158 x 70mm)



5 Front right post
(1685 x 70mm)



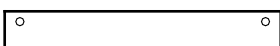
10 Glass shelf x 4
(500 x 296mm)



6 Rear right post
(1685 x 70mm)



11 Side middle rail x 2
(158 x 70mm)



12 Rear middle rail
(508 x 70mm)



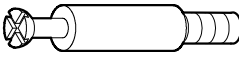
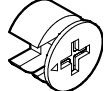

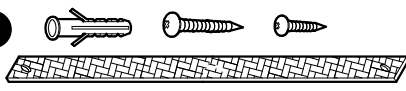
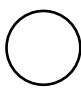



Components - Fittings

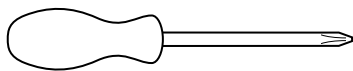
If you have damaged or missing components, call the **Customer Helpline: 03456 400800**

Please check you have all the fittings listed below

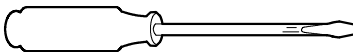
Note: The quantities below are the correct amount to complete the assembly. In some cases more fittings may be supplied than are required.

<p>A </p> <p>Wood dowel x 34</p>	<p>B </p> <p>25mm Screw x 16</p>	<p>C </p> <p>Metal dowel x 30</p>
<p>D </p> <p>Metal cam x 30</p>	<p>E </p> <p>Shelf holder x 16</p>	<p>F </p> <p>Webbing and screw x 2</p>
<p>G </p> <p>Cover pad x 30</p>	<p>H </p> <p>Large foot pad x 4</p>	

Tools required

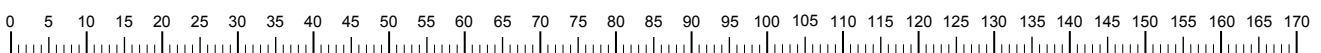


Phillips screwdriver
(medium & small)



Flatblade screwdriver

Ruler - Use this ruler to help correctly identify the screws

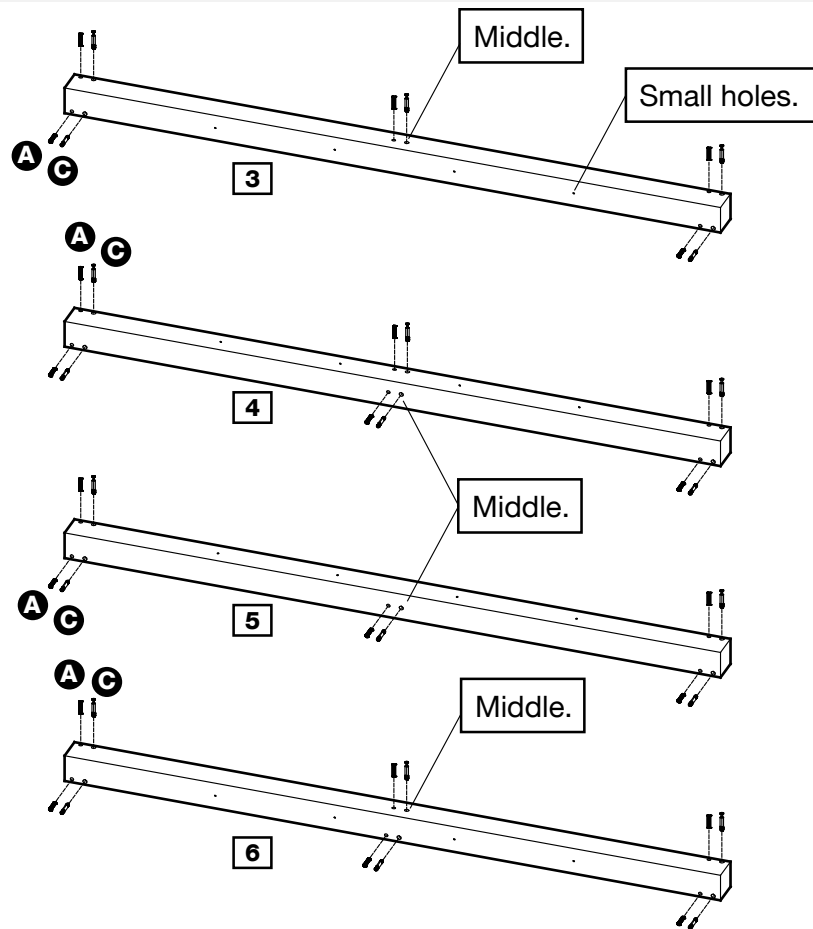


Assembly Instructions

Step 1

Screw 22 Metal dowels **C** into the threaded holes in the Posts **3** **4** **5** **6** as shown.

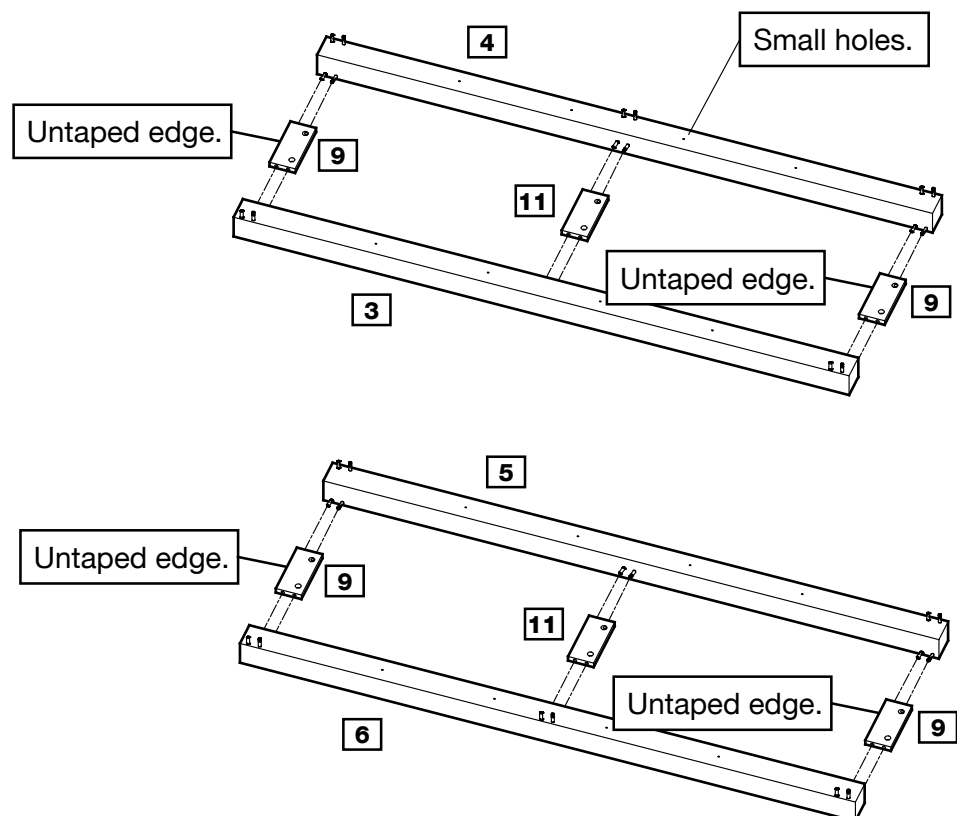
Insert Wood dowels **A** into the indicated holes.



Step 2

Firmly push Front left post **3** and Rear left post **4** onto the ends of Side rails **9** **11**, ensuring the Metal dowels **C** and wood dowels **A** enter corresponding holes.

Firmly push Front right post **5** and Rear right post **6** onto the ends of Side rails **9** **11**, ensuring the Metal dowels **C** and wood dowels **A** enter corresponding holes.



Assembly Instructions

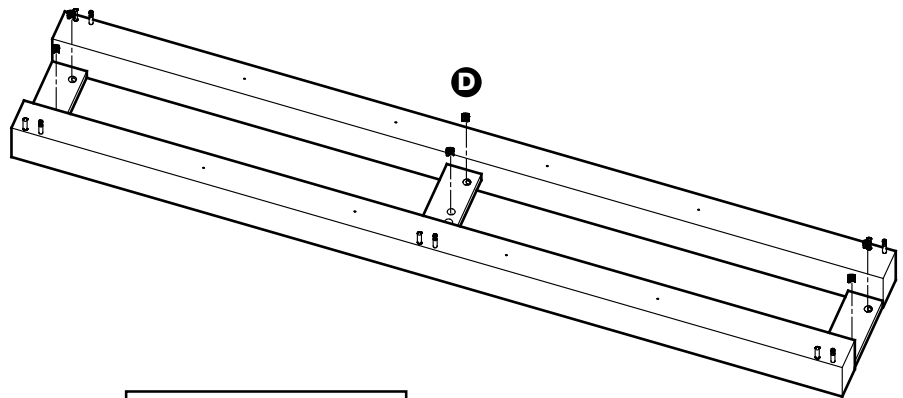
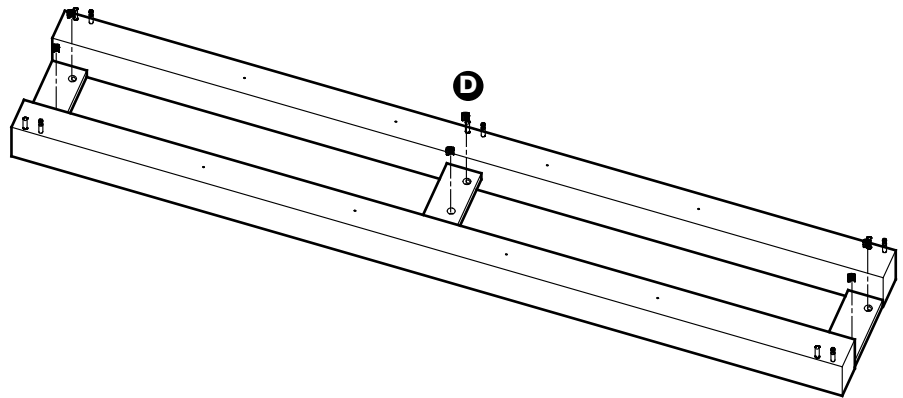
Step 3

Insert the 12 Metal Cams **D** into the 12 holes on the side rails **9** **11** so that they are flush.

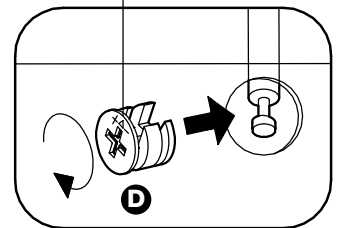


Note: Longer leg of the cross on the Metal Cams must face towards end of rails (as shown).

Then, using a Philips Screwdriver, screw all Metal Cams **D** clockwise until they are 'hand tight'.

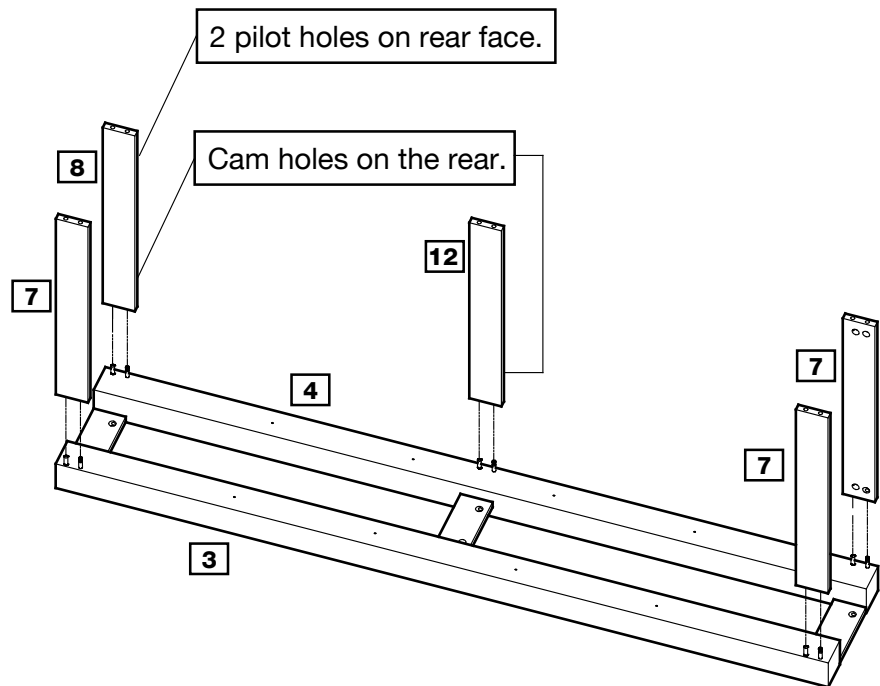


Note: Longer leg of the cross on the Metal Cams must face towards end of rails.



Step 4

Firmly push Front and Rear rails **7** **8** **12** onto the dowels of Left side post **3** and **4**, ensuring the Metal dowels **C** and wood dowels **A** enter corresponding holes.



Assembly Instructions

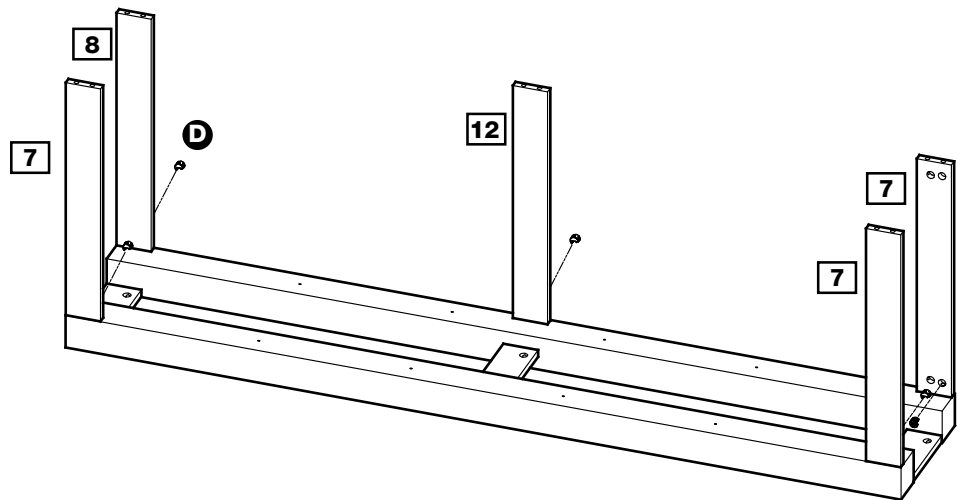
Step 5

Insert the 5 Metal Cams **D** into the 5 holes on the rails **7** **8** **12** so that they are flush.

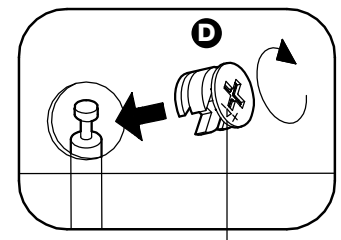


Note: Longer leg of the cross on the Metal Cams must face towards end of panel (as shown).

Then, using a Philips Screwdriver, screw all Metal Cams **D** clockwise until they are 'hand tight'.



Note: Longer leg of the cross on the Metal Cams must face towards end of rails.



Step 6

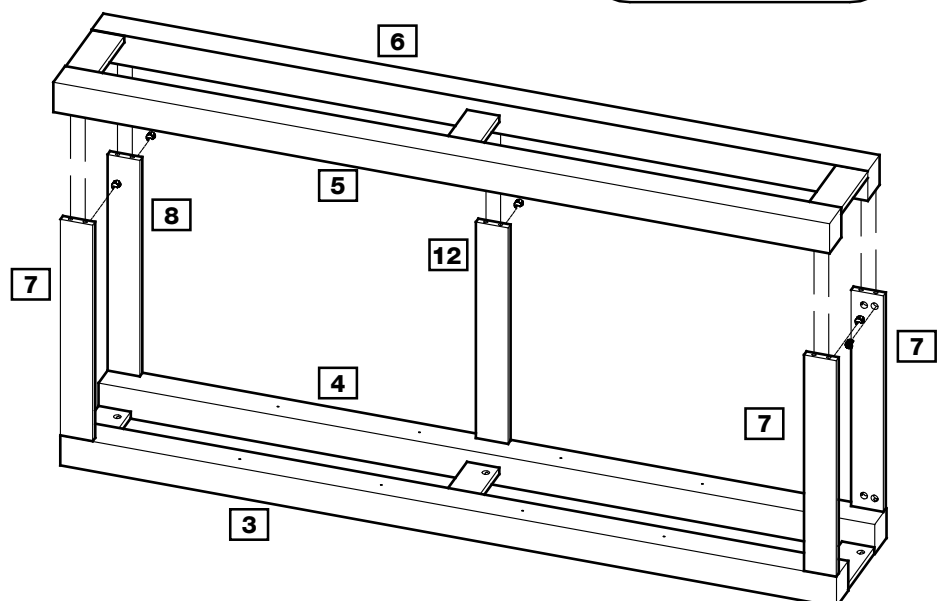
Firmly push Right side frame onto the rails **7** **8** **12**, ensuring the Metal dowels **C** and wood dowels **A** enter corresponding holes.

Insert the 5 Metal Cams **D** into the 5 holes on the rails **7** **8** **12** so that they are flush.

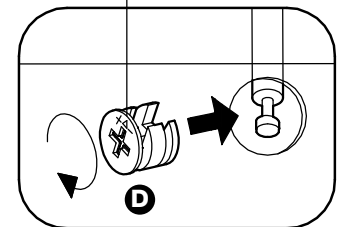


Note: Longer leg of the cross on the Metal Cams must face towards end of panel (as shown).

Then, using a Philips Screwdriver, screw all Metal Cams **D** clockwise until they are 'hand tight'.



Note: Longer leg of the cross on the Metal Cams must face towards end of panel.

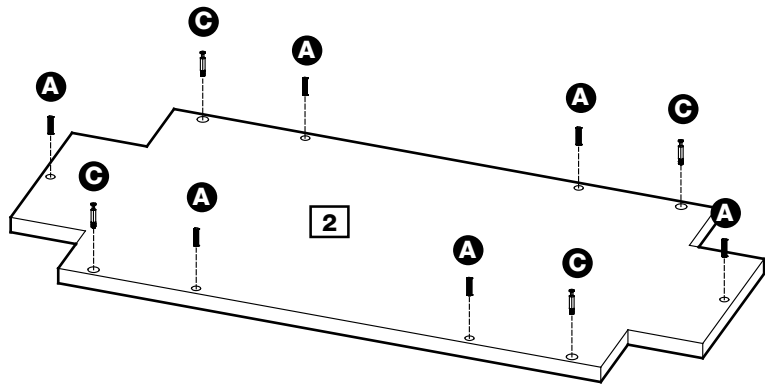
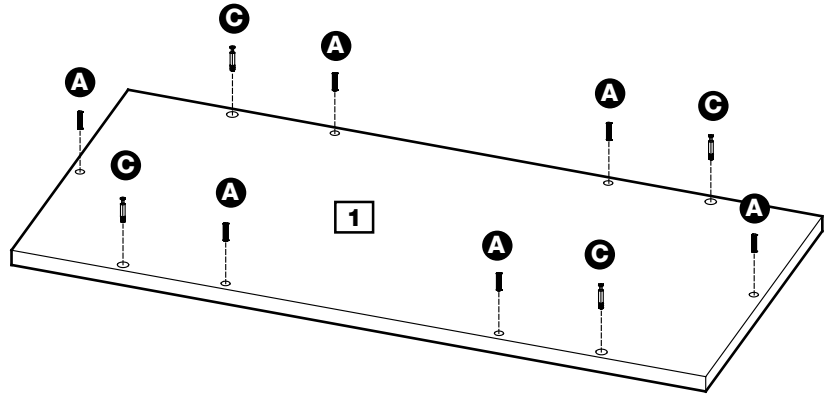


Assembly Instructions

Step 7

Screw 8 Metal dowels **C** into the threaded holes in the Top panel **1** and Bottom panel **2** as shown.

Insert Wood dowels **A** into the indicated holes.

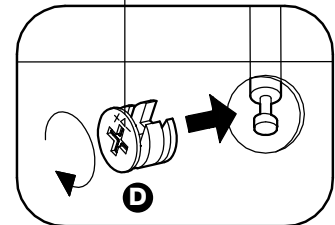


Step 8

Firmly push Top and Bottom panels onto the rails **7** and **8**, ensuring the Metal dowels **C** and wood dowels **A** enter corresponding holes.

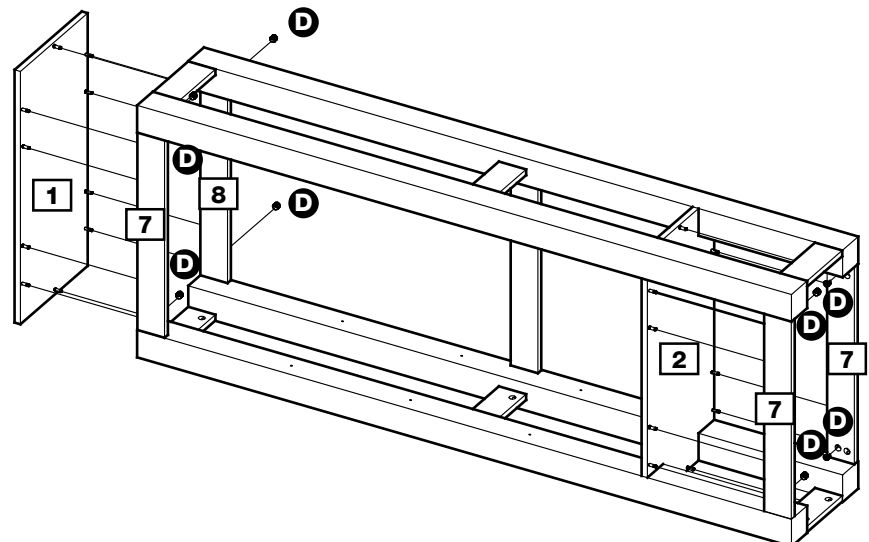
Insert the 8 Metal Cams **D** into the 8 holes on the rails **7** and **8** so that they are flush.

Note: Longer leg of the cross on the Metal Cams must face towards end of panel.



Note: Longer leg of the cross on the Metal Cams must face towards end of panel (as shown).

Then, using a Philips Screwdriver, screw all Metal Cams **D** clockwise until they are 'hand tight'.



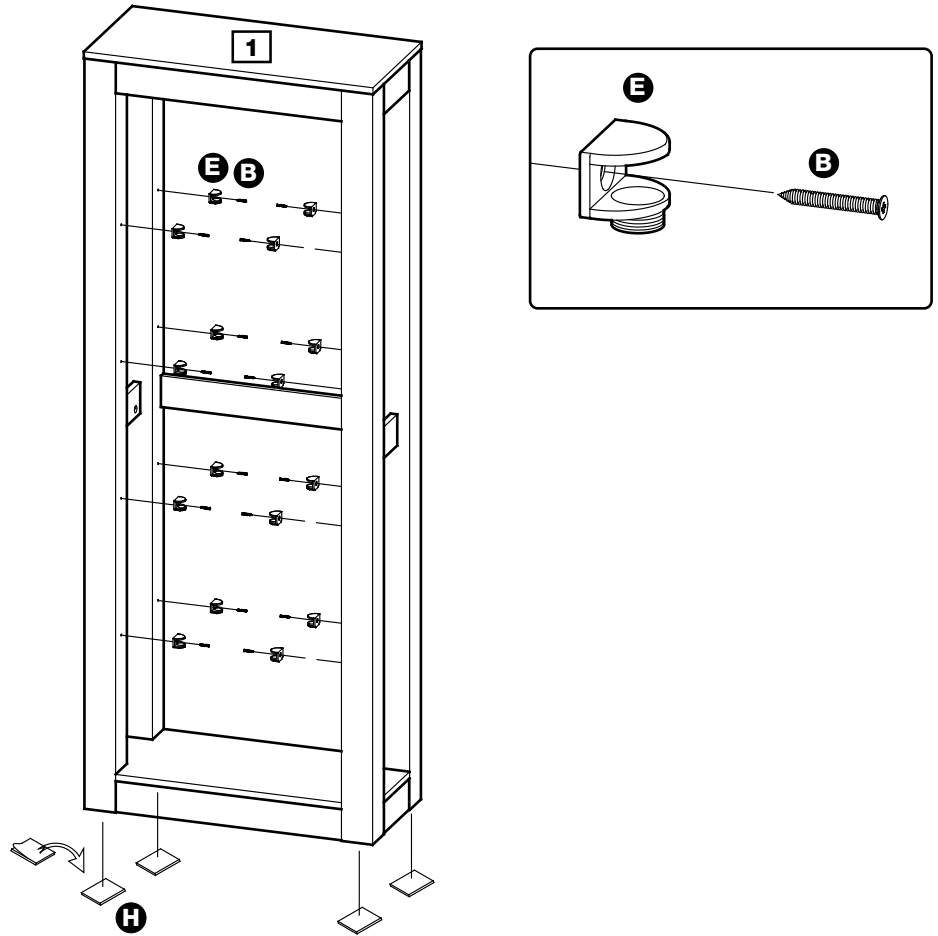
Assembly Instructions

Step 9

Peel off the cover of the Foot pads **H** , attach to the bottom of Posts.

Turn the unit upright.

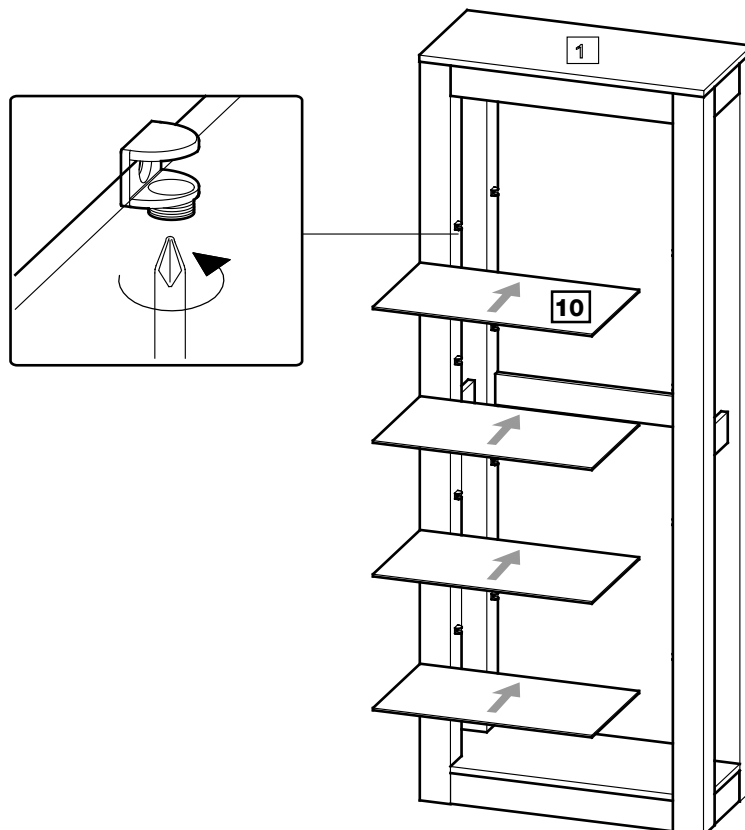
Screw Shelf holders **E** onto the pre-drilled holes in Posts using 25mm Screws **B** , make sure the screws of the shelf holders face downwards as shown.



Step 10

Push Glass shelves **10** into the Shelf holders **E** and secure with the screws by turning clockwise as shown.

Cover all visible cam holes with Cover pads **G** .



Assembly Instructions

Step 11



Note: This Step is for securing the Unit to a wall and should only be attempted by experienced persons.

You will Need the Following:

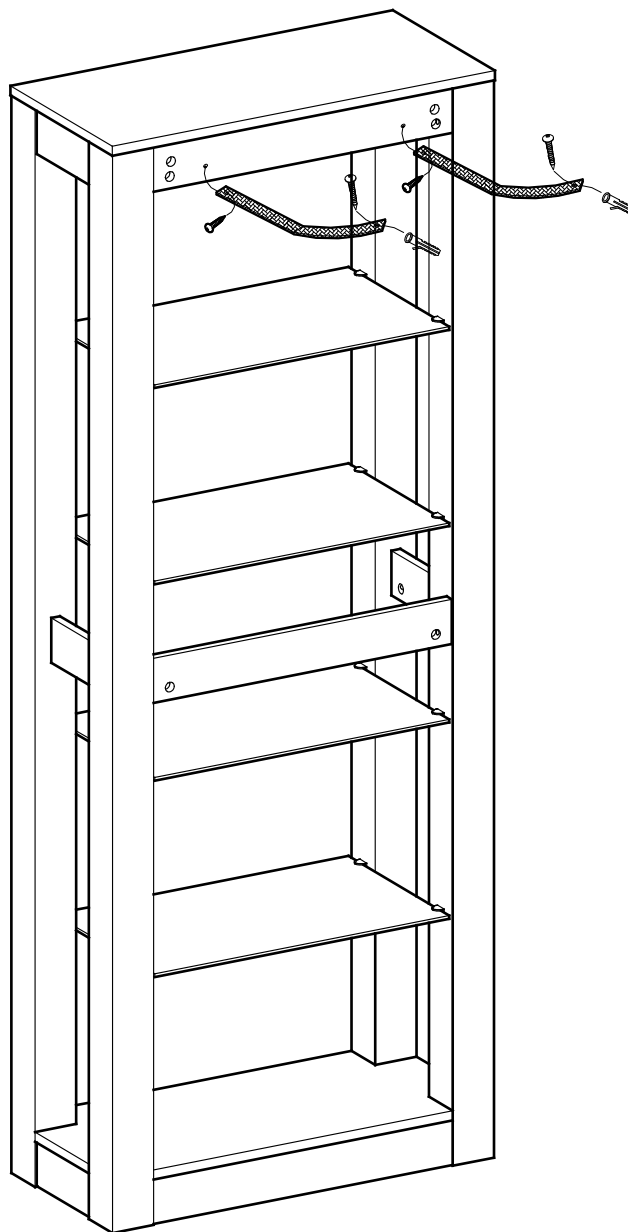
- Another person to assist you
- Electric Drill (& Drill Bits)
- Screwdriver

Fixings Supplied:

- 2 Webbings
- 2 Small Wood Screws
- 2 Large Wall Screws
- 2 Wall Plugs



Note: The fixings described are for use with solid masonry walls only. Alternative fixings should be purchased if you have a different wall construction.



Assembly is complete.

If you need help or have damaged or missing parts, call the **Customer Help Line: 03456 400800**
Home Retail Group plc. Avebury, 489-499 Avebury Boulevard. Milton Keynes. MK9 2NW

A Guide to - Wall Mounting & Fixings

Important note:

If plastic wall plugs are supplied with your product:



- these are only suitable for use in masonry walls.

If you are in any doubt about the correct wall plugs for your wall, seek professional advice.


Failure of the product due to using incorrect fixings is the responsibility of the installer.



Important: When drilling into walls always check that there are no hidden wires or pipes etc.

Make sure that the screws and wall plugs being used are suitable for supporting your unit. Consult a qualified tradesperson if you are unsure.

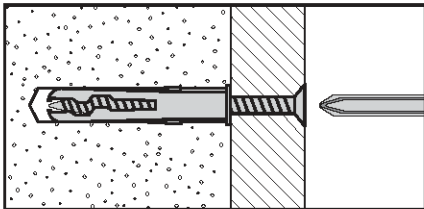
Hints:

- 1: General rule:**  Always use a larger screw and wall plug if you are not sure.
- 2:** Ensure you use the recommended drill bit to match the wall plug and hole size.
- 3:** Ensure you drill the hole horizontally, do not force the drill or enlarge the hole.
- 4:** Take extra care when drilling high walls, ceilings and ceramic tiles. Ensure wall plugs are inserted beyond the thickness of the ceramic tiles to avoid the tiles splitting or cracking.
- 5:** Ensure wall plugs are well fitted and are a tight fit in the drilled hole.

Types of walls

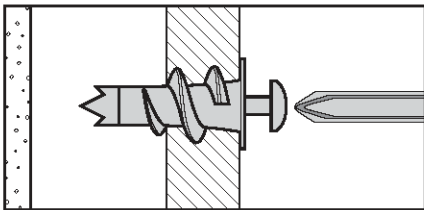
You can use one of the following types of wall plug if your walls are made of brick, breeze block, concrete, stone or wood.

No.1 "General Purpose" wall plug



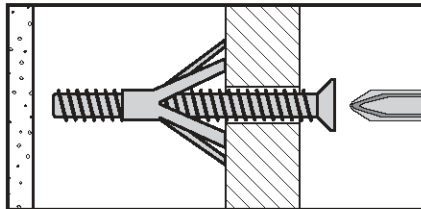
Generally aerated blocks should not be used to support heavy loads, use a specialist fitting in this case. For light loads, general purpose wall plugs can be used.

No.2 "Plasterboard" wall plug



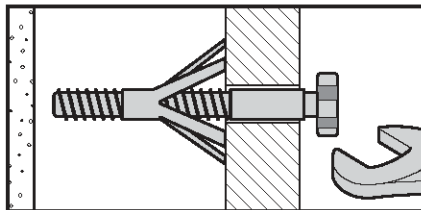
For use when attaching light loads on to plasterboard partitions.

No.3 "Cavity Fixing" wall plug



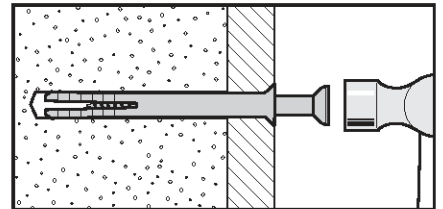
For use with plasterboard partitions or hollow wooden doors.

No.4 "Cavity Fixing-Heavy Duty" wall plug



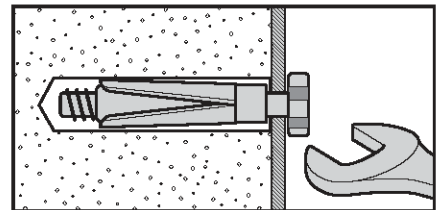
For use when fitting or supporting heavy loads such as shelving, wall cabinets and coat racks.

No.5 "Hammer Fixing" wall plug



For use with walls stuck with plasterboard. The hammer fixing allows it to be fixed to the wall rather than the plasterboard. Always check the fixing is secure to the retaining wall.

No.6 "Shield Anchor" wall plug Heavy loads



For use with heavier loads such as TV & HiFi speakers and satellite dishes etc.



Care & Maintenance

Safety: Always check the fitting and location to ensure your safety in and around the home.

Fitting: From time to time check the fitting to ensure the wall plugs or screws do not become loose.