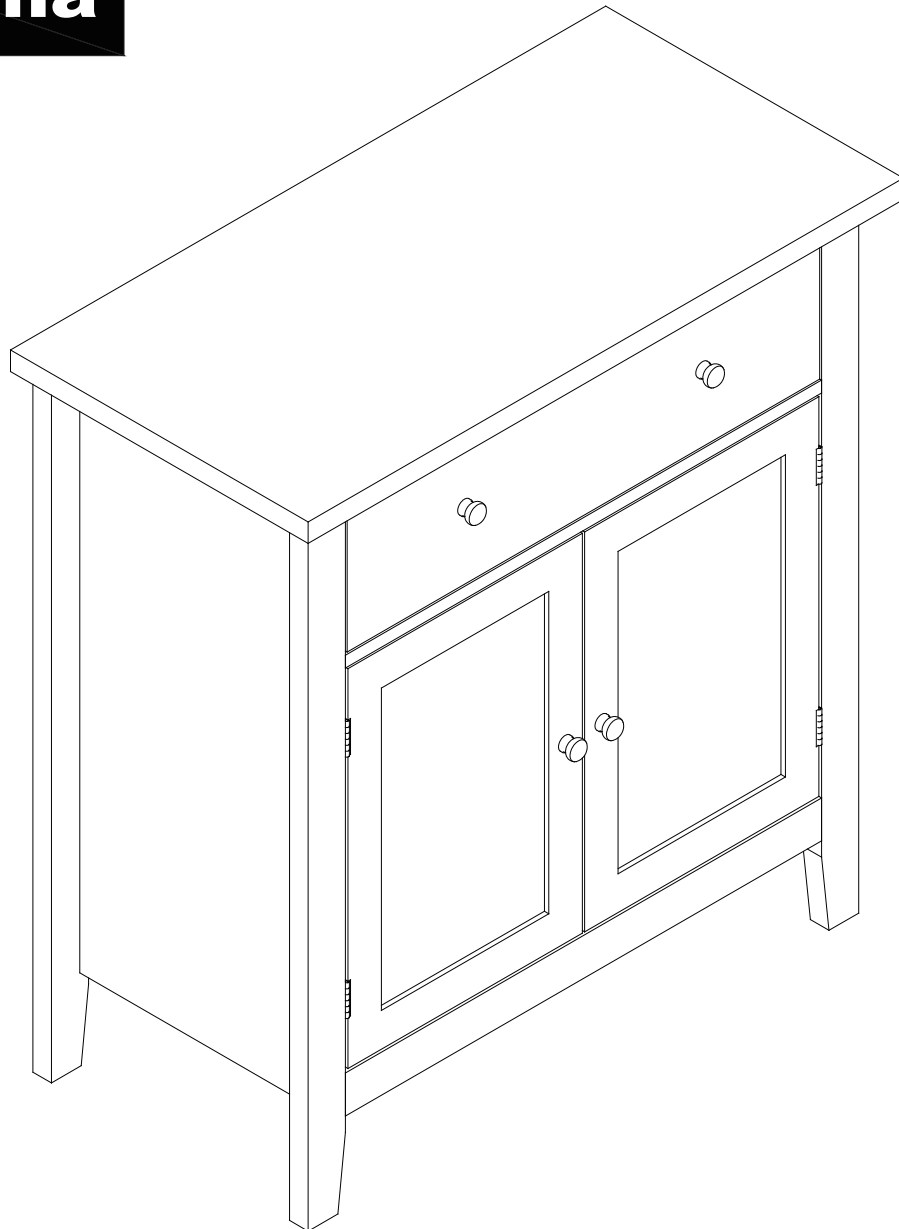


Luna 2 Door 1 Drawer Sideboard

Assembly Instructions - Please keep for future reference

448/8439

hygena



Dimensions

Width - 80cm
Depth - 40cm
Height - 85.5cm

Important - Please read these instructions fully before starting assembly

If you need help or have damaged or missing parts, call the

Customer Helpline: 0345 6400 800



Safety and Care Advice

Important – Please read these instructions fully before starting assembly

Check you have all the components and tools listed on pages 2 and 3.

Remove all fittings from the plastic bags and separate them into their groups.

Keep children and animals away from the work area, small parts could choke if swallowed. Make sure you have enough space to layout the parts before starting.

Assemble the item as close to its final position (in the same room) as possible.

Assemble on a soft level surface to avoid damaging the unit or your floor.

Assembly requires 2 people.

Do not stand or put excessive weight on the product, this could cause damage.



We do not recommend the use of power drill/drivers **for inserting screws,**

as this could damage the unit. Only use hand screwdrivers and Allen keys.

Dispose of all packaging carefully and responsibly.

Solid wood / Real wood veneers

This product has been finished using natural materials. As a living material, you may notice some variation in the grain and colour shade between the different components.

Unlike a synthetic or man-made material which has a uniform finish, a feature of natural wood is its variation in grain and colour. We wish to reassure you that this is quite normal and is not the result of any manufacturing fault.

Where sheets of wood are joined together, a line may be detected. Again, this is normal and is not an imperfection.

The natural finish should be cared for by the periodic application of a good quality 'wax' based domestic furniture polish (Not silicone!!). Occasional / small spills should be removed immediately using a damp cloth.

Do not allow hot articles to come into contact with the surface, as damage will occur!

Care and maintenance

Only clean using a damp cloth and mild detergent, do not use bleach or abrasive cleaners.

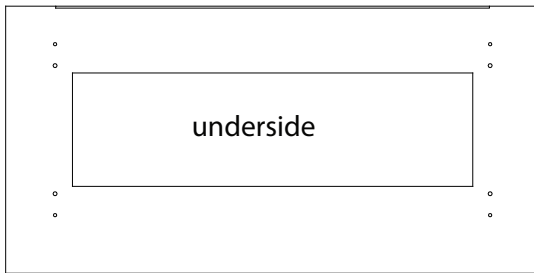
From time to time check that there are no loose screws on this unit.

This product should not be discarded with household waste. Take to your local authority waste disposal centre.

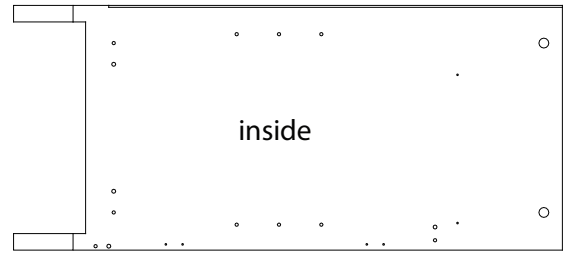
Components - Parts

If you have damaged or missing components,
call the **Customer Helpline**: 0345 6400 800

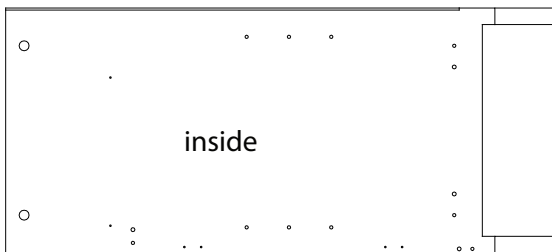
Please check you have all the parts listed below



1 Top
(80x40x2.5cm)



2 Side frame (left)
(83x37x5cm)



3 Side frame (right)
(83x37x5cm)



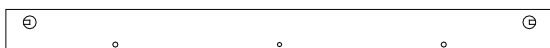
4 Base panel
(64x35x1.5cm)



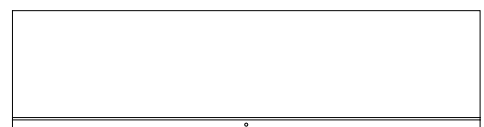
5 Front stretcher
(64x5x2.5cm)



6 Drawer front
(63.6x18x1.5cm)



7 Apron (Top)
(64x5x2.5cm)

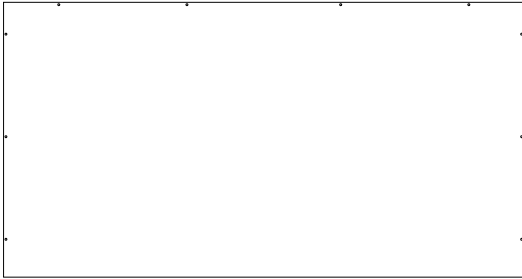


8 Drawer back
(61.3x1.5x1.2cm)

Components - Parts

If you have damaged or missing components.
call the **Customer Helpline**: 0345 6400 800

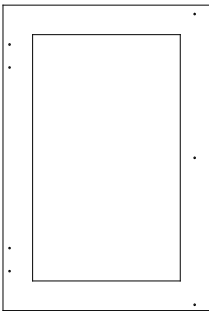
Please check you have all the parts listed below



9 Back panel x2
(66.5x34.8x0.3cm)



10 Shelf
(63.7x34.4x1.2cm)



11 Door x2
(31.5x45.5x1.5cm)



12 Drawer base panel
(61.4x29.4x0.3cm)



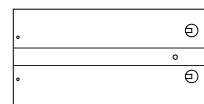
13 Drawer support
(28.8x4x1.2cm)



14 Sealing strip
(66.3x1.1cm)



15 Drawer side (right)
(30x1.5x1.2cm)



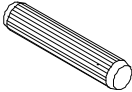
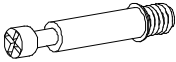


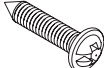
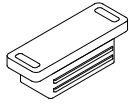

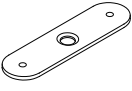
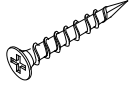

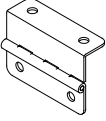
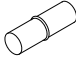
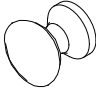



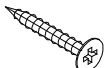

16 Drawer side (left)
(30x1.5x1.2cm)

Components - Fittings

If you have damaged or missing components, call the **Customer Helpline: 0345 6400 800**

Please check you have all the fittings listed below

Note: The quantities below are the correct amount to complete the assembly. In some cases more fittings may be supplied than are required.

| | | |
|---|--|--|
| <p>A</p>  <p>Wooden dowel x 14 (6X30mm)</p> | <p>B</p>  <p>Metal dowel x 18</p> | <p>C</p>  <p>Large locking nut x 9</p> |
| <p>D</p>  <p>Small locking nut x 9</p> | <p>E</p>  <p>Screw x 20 (2.5x10mm)</p> | <p>F</p>  <p>Magnetic catch x2</p> |
| <p>G</p>  <p>Screw x 28 (3x12mm)</p> | <p>H</p>  <p>Door catch plate x 4</p> | <p>J</p>  <p>Screw x 5 (4x30mm)</p> |
| <p>K</p>  <p>Screw x4 (4x18mm)</p> | <p>L</p>  <p>Door hinge x 4</p> | <p>M</p>  <p>Shelf support pins x 4</p> |
| <p>N</p>  <p>Handle x 4</p> | <p>P</p>  <p>Drawer runner x 1set (L310mm)</p> | <p>Q</p>  <p>Wall strap x 2</p> |
| <p>R</p>  <p>Bolt x 2 (4x10mm)</p> | <p>S</p>  <p>Screw x2 (3.5x16mm)</p> | <p>T</p>  <p>Washer x2</p> |

Tools required

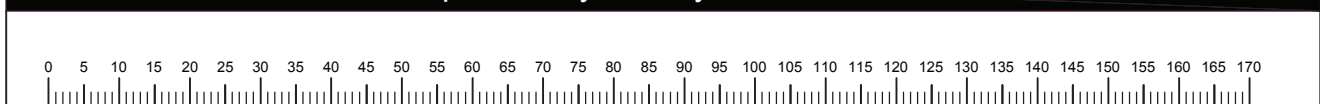


Ruler/tape measure



Phillips screwdriver
(Not supplied)

Ruler - Use this ruler to help correctly identify the screws



Assembly Instructions

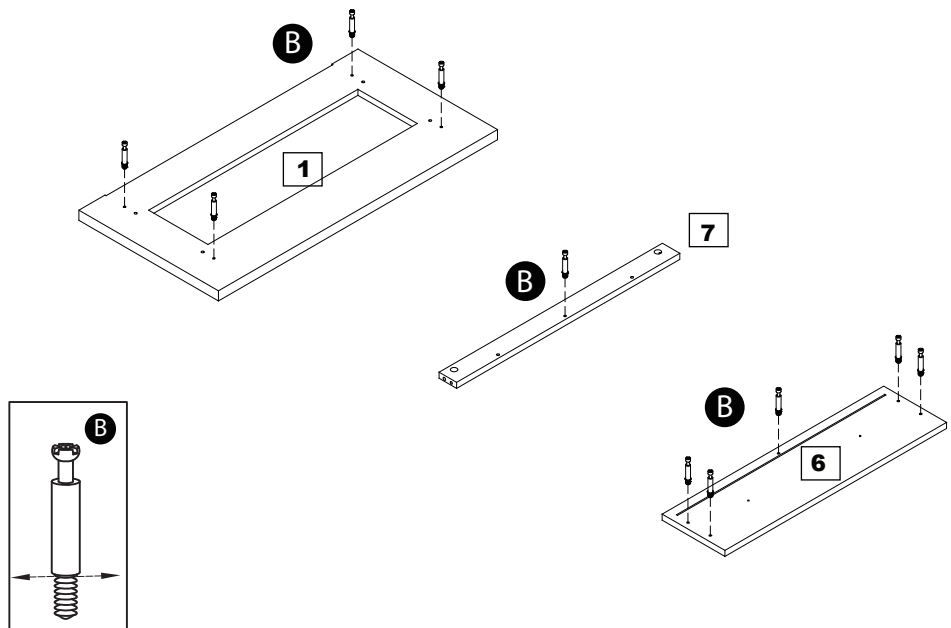
Step 1

Preparing panels

Place panels **1**, **6** and **7** flat on the floor with the fixing holes facing up.

Screw metal dowels **B** into all panels as shown.

Note: Insert metal dowels as far as shown. Do not overtighten.



Step 2

Preparing side panels

Place left and right side frames **2** and **3** flat on the floor with the fixing holes facing up.

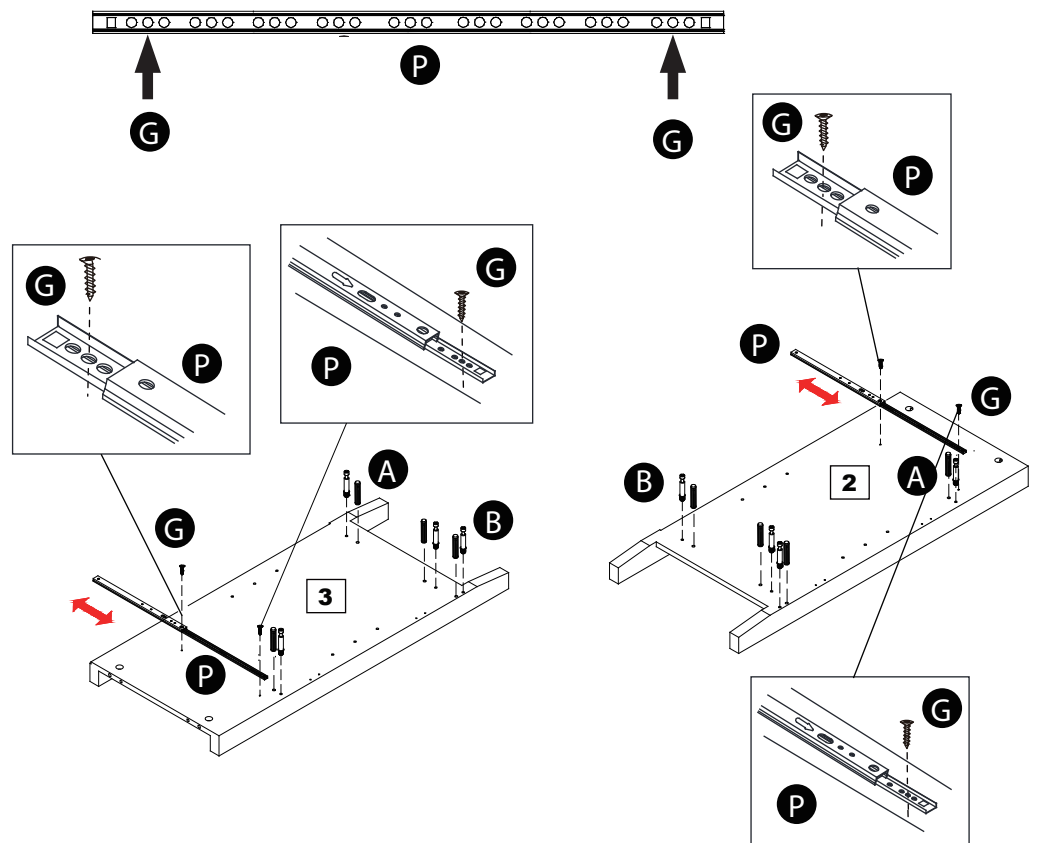
Screw metal dowels **B** into the side frames as shown.

Note: Insert metal dowels as far as shown. Do not overtighten.

Fit drawer runners **P** to side frames **2** and **3** using screws **G**.

Note: The drawer runners should be fixed through the holes shown. It will be necessary to extend/close the runners to gain access to the holes.

Fit wood dowels **A** into the side frames as shown.



Assembly Instructions

Step 3

Preparing doors and stretcher

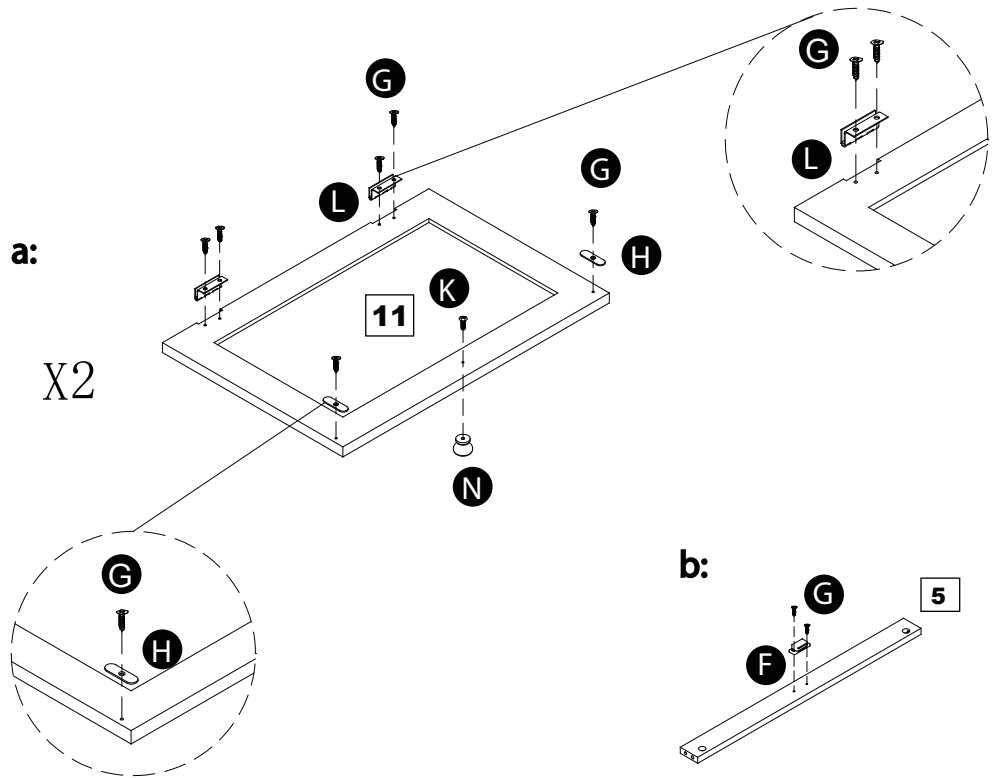
Place two doors **11** and stretcher **5** flat on the floor as shown.

a: Fit hinges **L** to doors **11** using screws **G**.

Fit two door catch plates **H** to each door **11** using screws **G**.

Fit knob **N** to each door **11** using screws **K**.

b: Fit magnetic catch **F** to front stretcher **5** using screws **G**.



Step 4

Assembling panels

a: Fit wood dowels **A** into the holes in one side of base panel **4**.

Locate apron **7** onto base panel **4**.

Insert large locking nut **C** into the underside of base panel **4**.

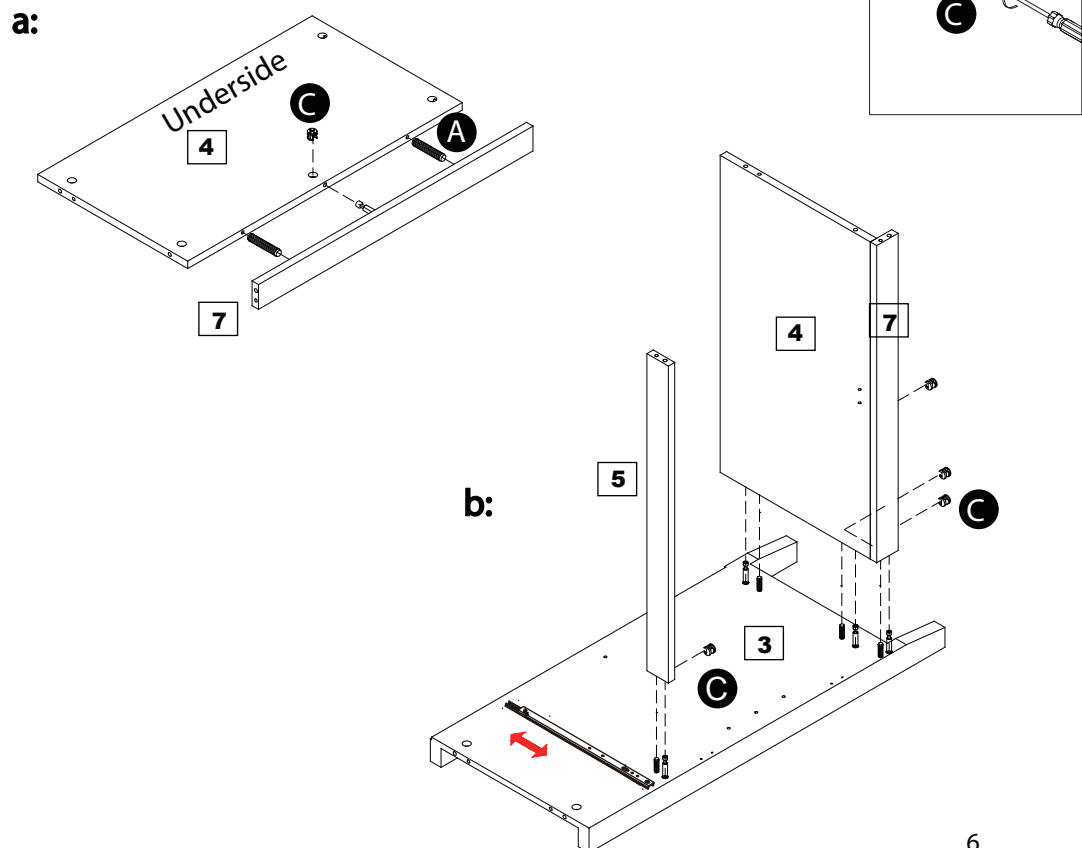
Turn locking nut clockwise to secure.

b: Carefully locate the base panel assembly onto right side frame **3** as shown.

Locate front stretcher **5** onto side frame **3**.

Insert large locking nuts **C** into the holes in panels **4**, **5** and **7** as shown.

Turn locking nuts clockwise to secure.



Assembly Instructions

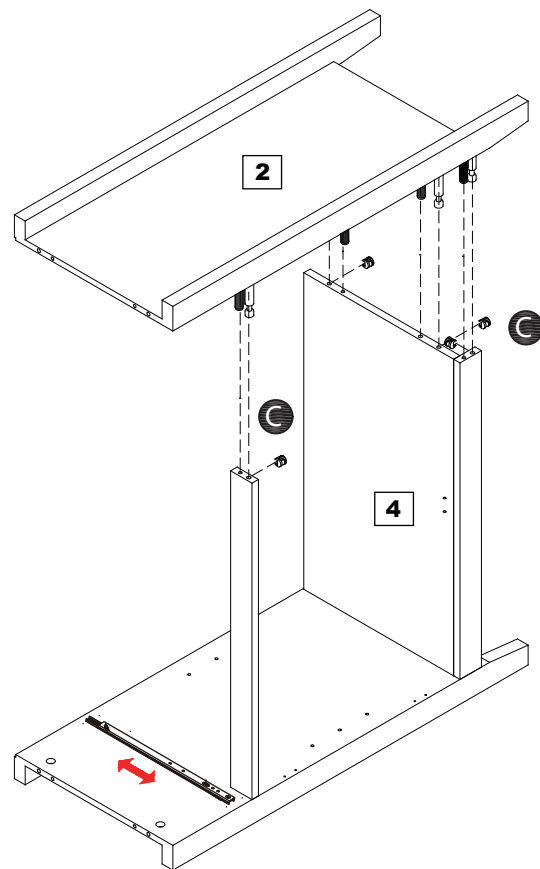
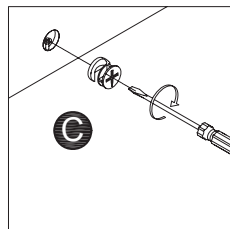
Step 5

Assembling side frame

Locate left side frame **2** into position.

Insert large locking nuts **C** as shown.

Turn locking nuts clockwise to secure.



Step 6

Assembling top

With help, stand the unit upright.

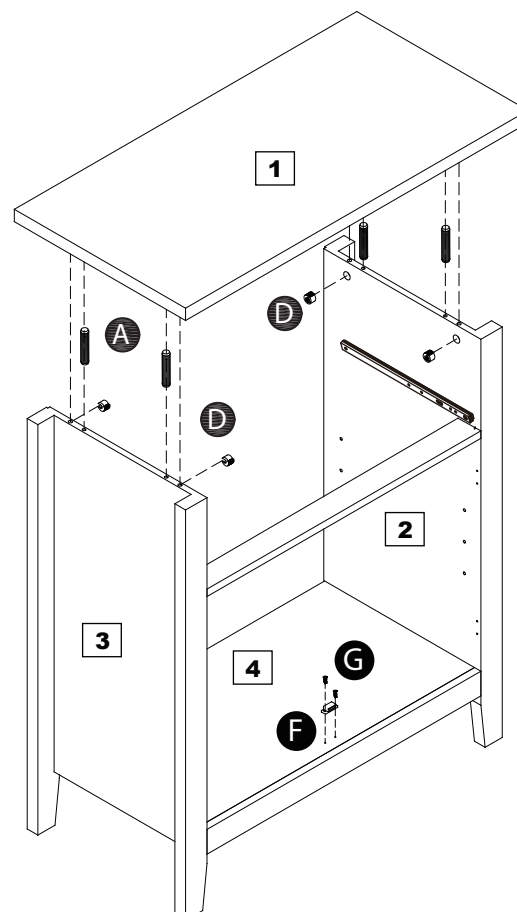
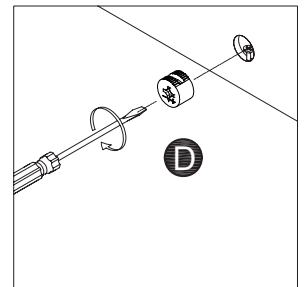
Insert wood dowels **A** into the top of side frames **2** and **3**.

Locate top **1** into position.

Insert small locking nuts **D** into side panels **2** and **3**.

Turn locking nuts clockwise to secure.

Fit magnetic catch **F** to base panel **4** using screws **G**.



Assembly Instructions

Step 7

Assembling back panels

a: Carefully lay the unit face down onto the floor .

Locate back panels **9** into position .

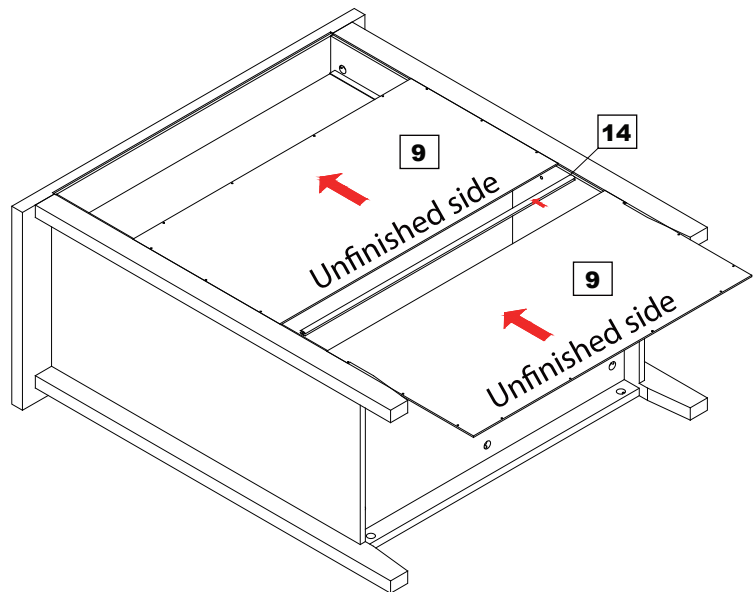
Note : Ensure the unfinished side of back panels **9** is facing outwards as shown.

Fit sealing striping **14** in between the back panels as shown.

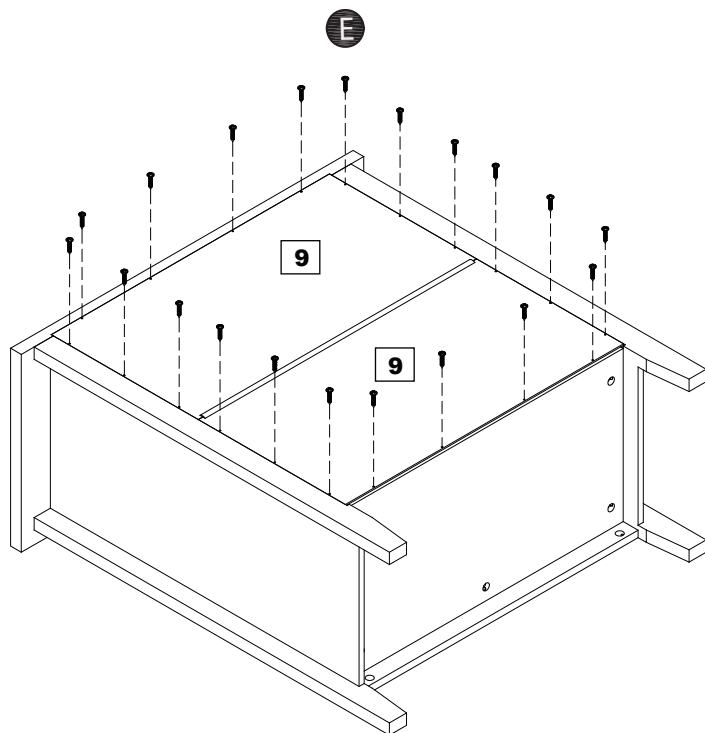
Note : Ensure the holes in the back panels **9** are around the outside .

b: Secure back panels **9** using screws **E** .

a:



b:



Assembly Instructions

Step 8

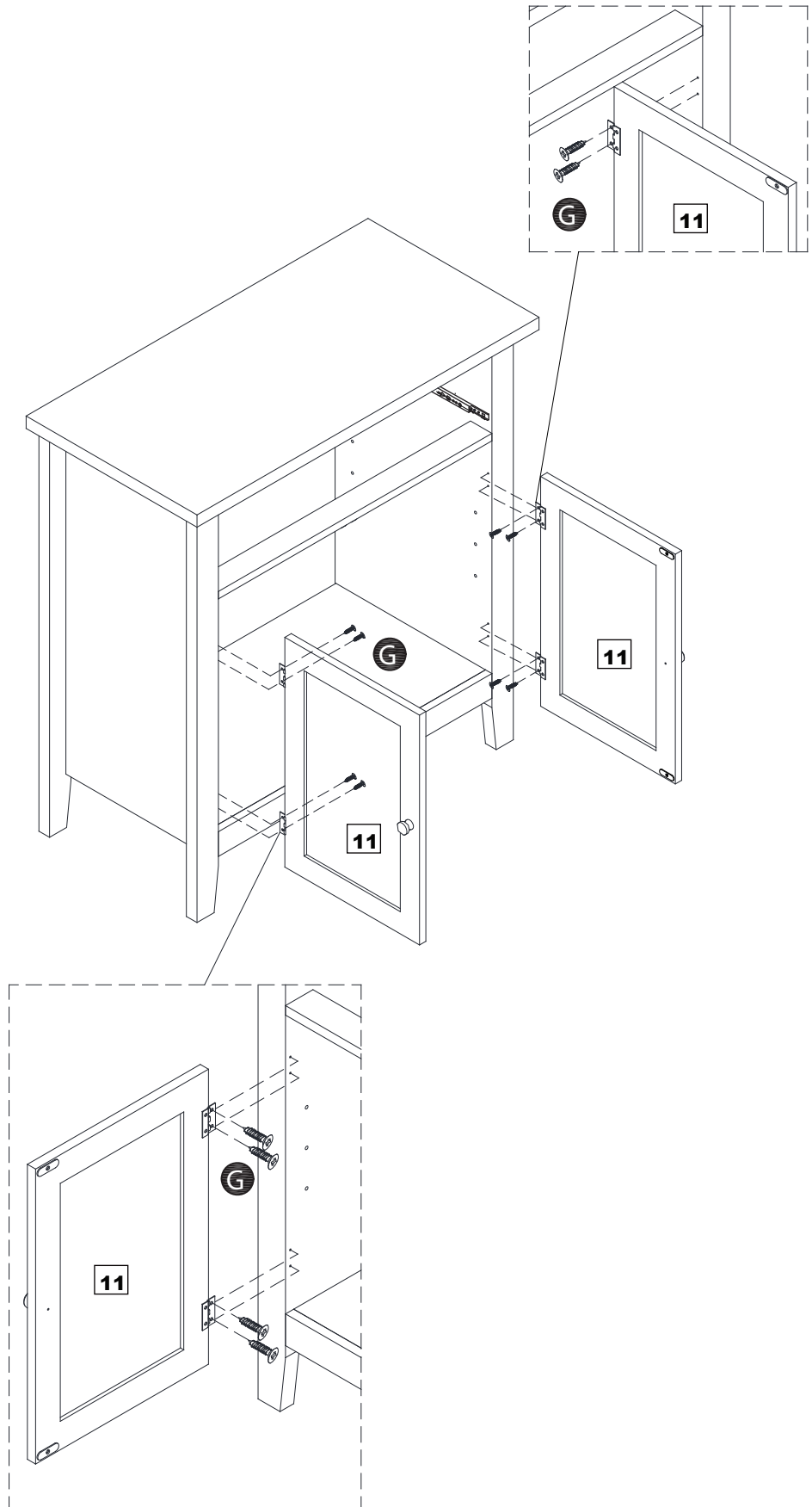
Fitting doors

With help ,stand the unit upright.

 **Warning :**

The unit is heavy , lift with care .

Assemble doors **11** using screws **G** .



Assembly Instructions

Step 9

Assembling drawer

a: Locate drawer side panels **15** and **16** and support **13** onto drawer front **6**.

Note: Ensure all grooves on all panels align at the bottom.

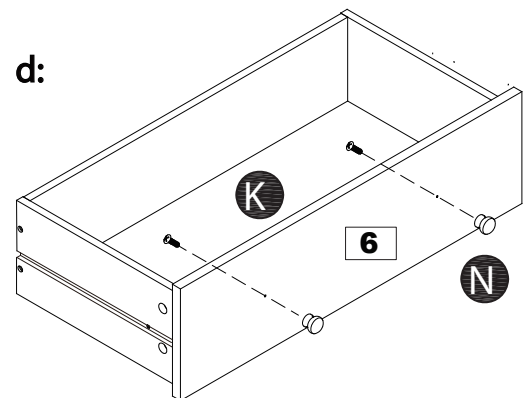
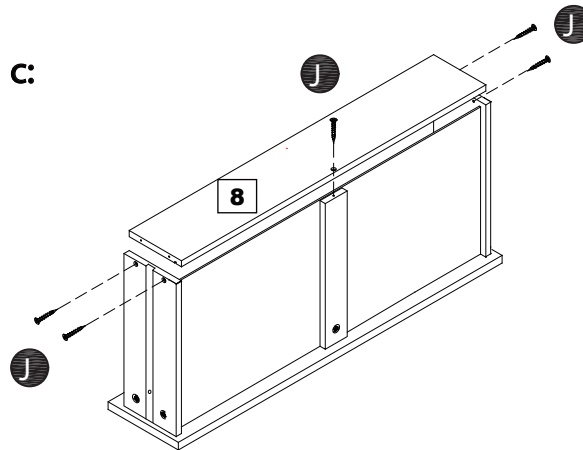
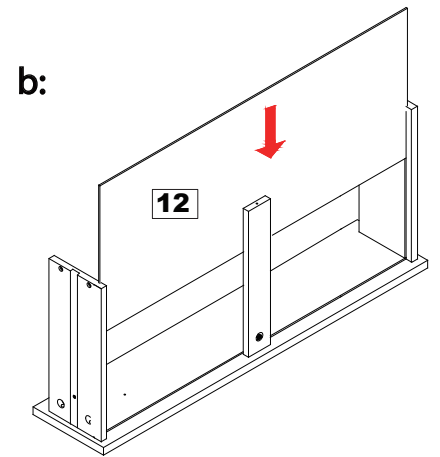
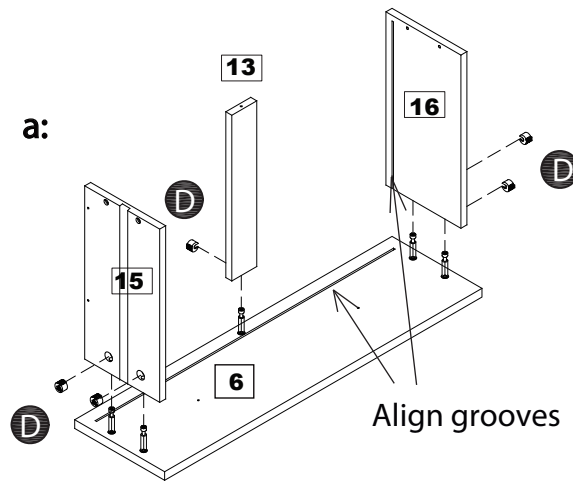
Insert small locking nuts **D** into the drawer side panels **15** and **16** and support **13** as shown.

Turn locking nuts clockwise to secure.

b: Slide drawer base panel **12** into the grooves.

c: Locate drawer back **8** in between drawer side panels **15** and **16** using screws **J**.

d: Fit handles **N** to drawer front **6** using screws **K**.



Assembly Instructions

Step 10

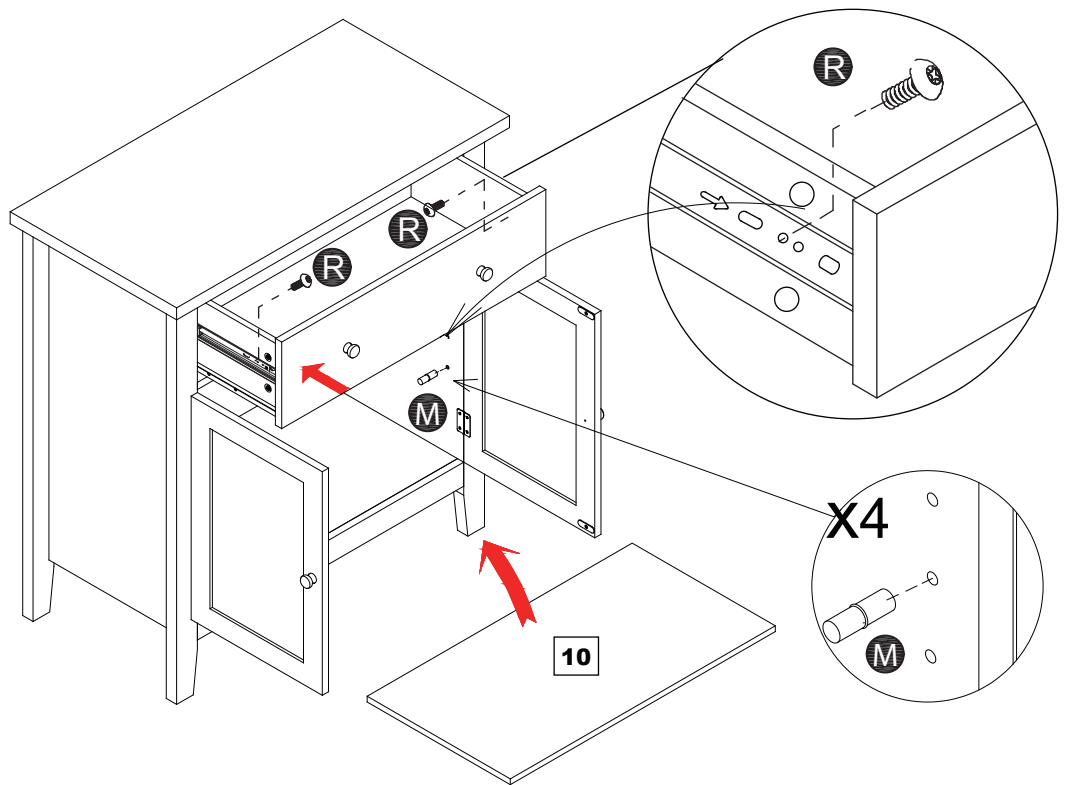
Locating drawer and shelf

Insert shelf support pins **M** at the desired height.

Carefully locate shelf **10** onto the support pins .

Extend the drawer runners fully out.

Locate the drawer onto runners and secure using screws **R** as shown.



Step 11

Fixing to the wall

It is recommended that the sideboard is fixed to the wall to ensure stability.

Assemble wall straps **Q** to the back of the unit using fixings **S** and **T** .

With help, move the unit to the desired location.

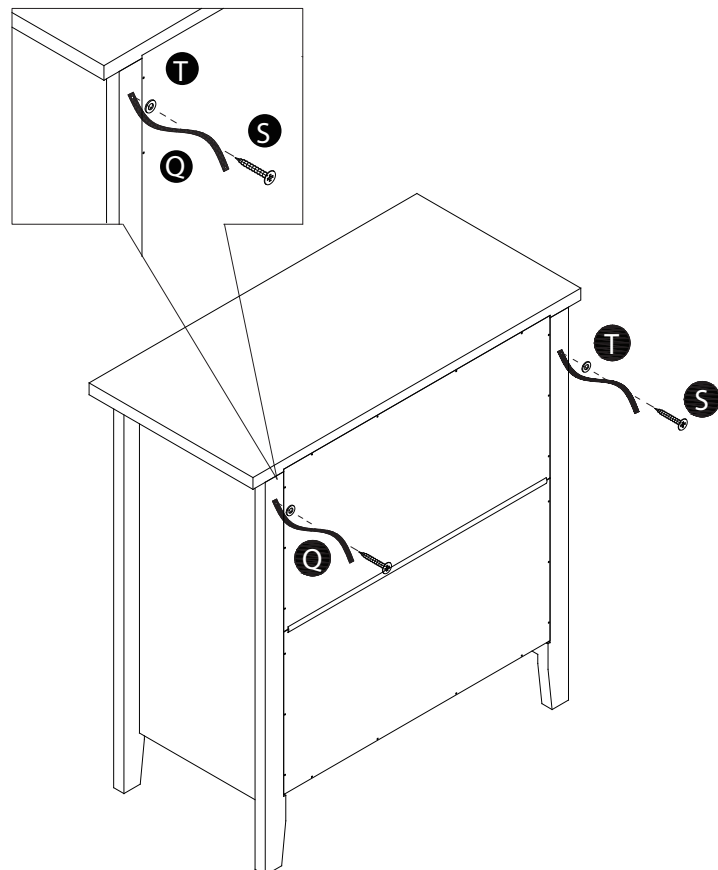
Mark the fixing hole locations on the wall and remove the unit.

Drill the wall and fit suitable plugs for your wall type.

Note : Wall plugs are not supplied.

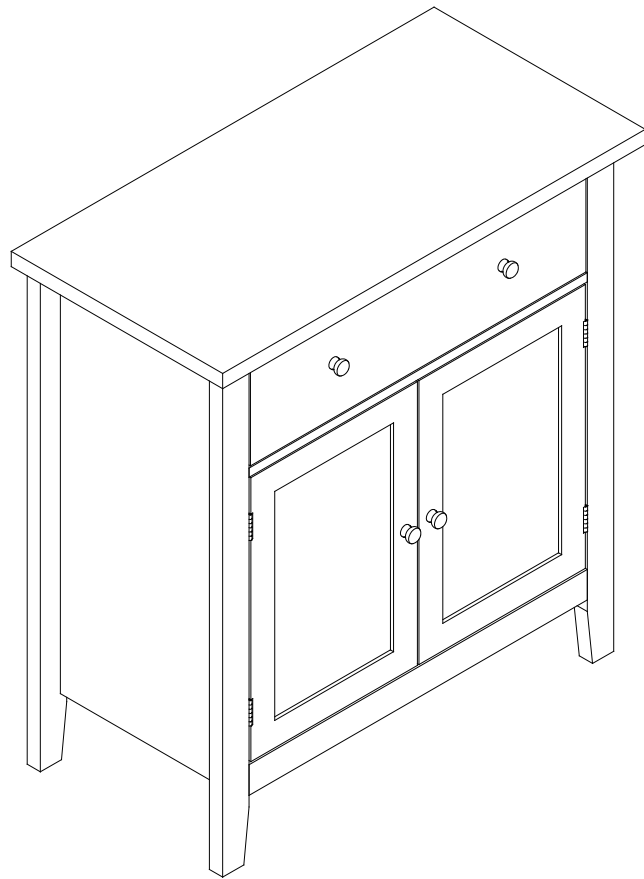
Warning : Before drilling. Check the wall for hidden pipes or cables. Re-position the unit and secure the wall straps to the wall.

Note : Screws are not supplied.



Assembly Instructions

Step 12



Assembly is complete.

If you need help or have damaged or missing parts, call the **Customer Helpline: 0345 6400 800**
Home Retail Group, 489-499 Avebury Boulevard, Saxon Gate West, Central Milton Keynes, MK9 2NW