

# Capella - 3+2 Drawer Chest

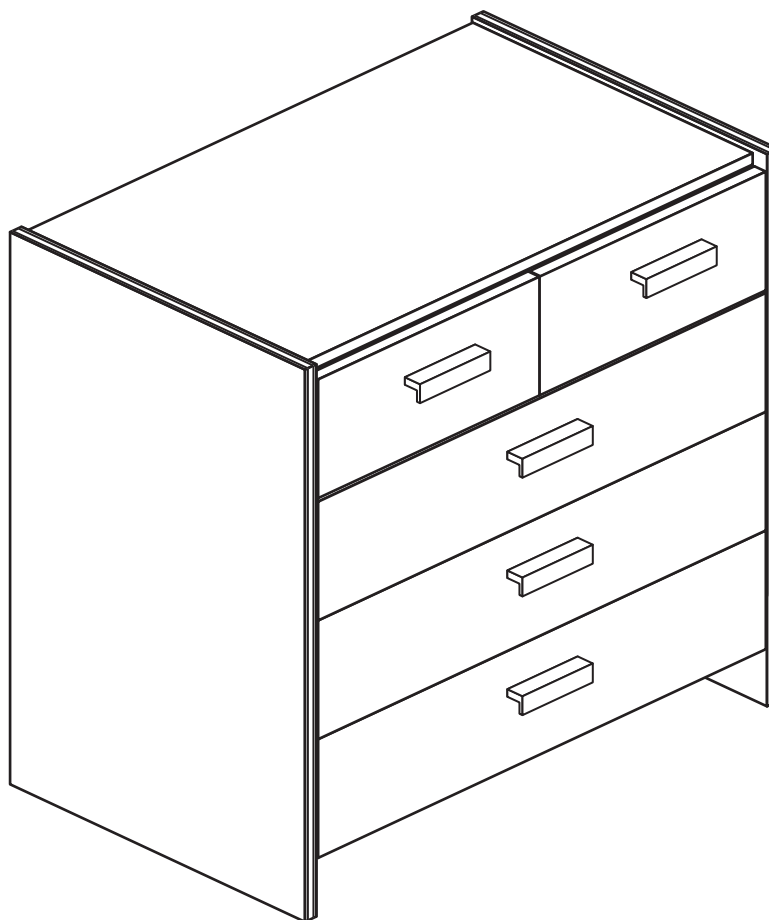
Assembly Instructions - Please keep for future reference

357/7097

339/2344

330/7559

448/7306



## Dimensions

Width - 63cm

Depth - 39cm

Height - 75cm



**MADE IN  
BRITAIN**

**Important** - Please read these instructions fully before starting assembly

If you need help or have damaged or missing parts, please visit [www.argos-support.co.uk](http://www.argos-support.co.uk) or email: [Help@ClickSpares.co.uk](mailto:Help@ClickSpares.co.uk) (quoting your original order number)

Alternatively, call the Spares Helpline on: 0370 112 1928.

For any other queries please contact the Customer Helpline on: 0345 640 2020



# Safety and Care Advice

**Important - Please read these instructions fully before starting assembly**

- **Warning:** This unit weighs approximately 24kgs. Please lift with care.
- Check you have all the components and tools listed on pages 1, 2 and 3.
- Remove all fittings from the plastic bags and separate them into their groups.
- Keep children and animals away from the work area, small parts could choke if swallowed.
- Parts of the assembly will be easier with 2 people.

- Make sure you have enough space to layout the parts before starting.
- Do not stand or put weight on the product, this could cause damage.
- Assemble the item as close to its final position (in the same room) as possible.
- Assemble on a soft level surface to avoid damaging the unit or your floor (use opened out unit carton).



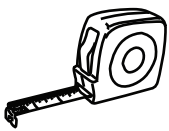
• We do not recommend the use of power drill/drivers **for inserting screws**, as this could damage the unit. Only use hand screwdrivers.

- **Safety note:** If there is any chance of this unit being pulled over by children etc. it is recommended that the unit is secured to a wall using suitable fixings (not supplied).
- Dispose of all packaging carefully and responsibly.

## Care and maintenance

- Only clean using a damp cloth and mild detergent, do not use bleach or abrasive cleaners.
- From time to time check that there are no loose screws on this unit.
- This product should not be discarded with household waste. Take to your local authority waste disposal centre.

## Tools required



Rule



Cross-head screwdriver



Scissors



Hammer



Eye protection  
(when using a hammer or drill)

**Note:** If required the next page can be cut out and used as reference throughout the assembly. Keep this page with these instructions for future reference.

# Components - Panels

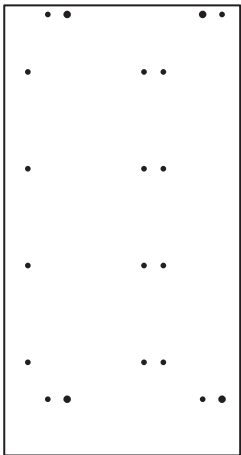
If you need help or have damaged or missing parts, please visit [www.argos-support.co.uk](http://www.argos-support.co.uk) or email: [Help@ClickSpares.co.uk](mailto:Help@ClickSpares.co.uk) (quoting your original order number)

Alternatively, call the Spares Helpline on: 0370 112 1928.

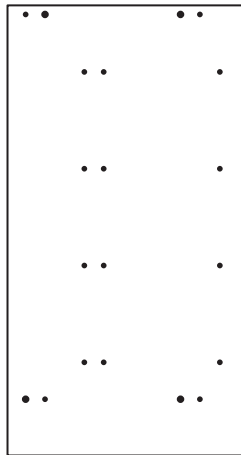
For any other queries please contact the Customer Helpline on: 0345 640 2020

Please check you have all the panels listed below

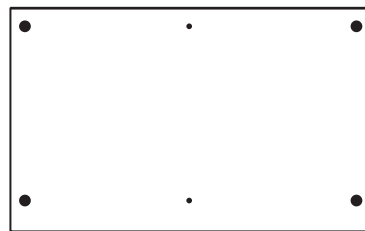
When applicable, remove any protective film before use



**1** Left Side (D1039A)  
(744 x 390mm)



**2** Right Side (D1040A)  
(744 x 390mm)



**3** Top (DF1848A)  
(596 x 369mm)



**4** Rail (D1009A)  
(596 x 103mm) x 2



**5** Large Drawer Front (D1010A)  
(592 x 157mm) x 3



**6** Small Left Drawer Front (DF1852A) (294 x 157mm)



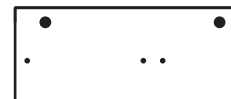
**7** Small Right Drawer Front (DF1853A) (294 x 157mm)



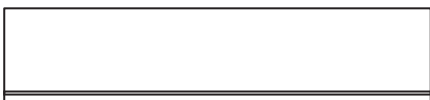
**8** Left Drawer Side (W370-124LH)  
(370 x 124mm) x 5



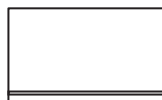
**9** Right Drawer Side (W370-124RH)  
(370 x 124mm) x 5



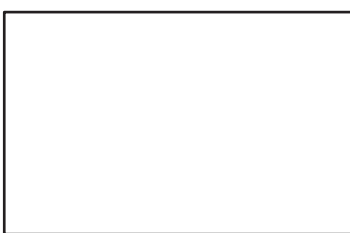
**10** Divider (DF1851A)  
(368 x 155mm)



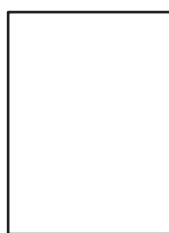
**11** Large Drawer Back (W564-124)  
(564 x 124mm) x 3



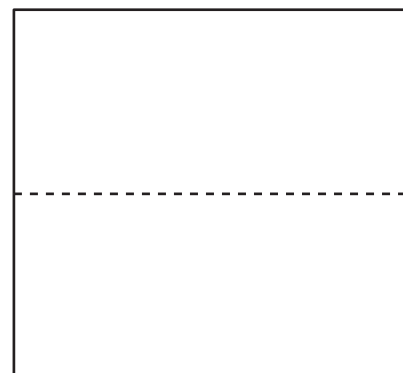
**12** Small Drawer Back (W259-124)  
(259 x 124mm) x 2



**13** Large Drawer Base (T575-367)  
(575 x 367mm) x 3



**14** Small Drawer Base (T270-367)  
(270 x 367mm) x 2



**15** Back (X647-622A)  
(647 x 622mm)



# Components - Fittings


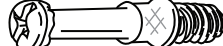
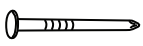







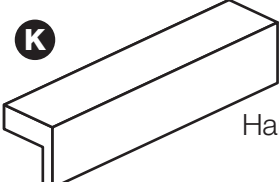


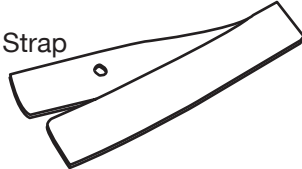


If you need help or have damaged or missing parts, please visit [www.argos-support.co.uk](http://www.argos-support.co.uk) or email: [Help@ClickSpares.co.uk](mailto:Help@ClickSpares.co.uk) (quoting your original order number)

Alternatively, call the Spares Helpline on: 0370 112 1928.

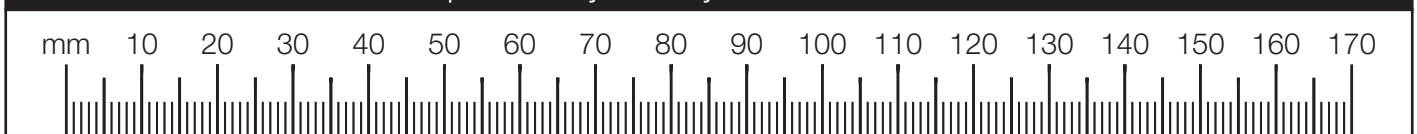
For any other queries please contact the Customer Helpline on: 0345 640 2020

Please check you have all the fittings listed below

**Note:** The quantities below are the correct amount to complete the assembly. In some cases more fittings may be supplied than are required.

<p><b>A</b> </p> <p>Wooden dowel (F22) x 8</p>	<p><b>B</b> </p> <p>Metal dowel (F901) x 20</p>	<p><b>C</b> </p> <p>Nail (F51) x 16</p>
<p><b>D</b> </p> <p>Large locking nut (F900) x 10</p>	<p><b>E</b> </p> <p>Small locking nut (F3) x 10</p>	<p><b>F</b> </p> <p>Plastic Nail (F91) x 4</p>
<p><b>G</b> </p> <p>25mm Screw (F50) x 10</p>	<p><b>H</b> </p> <p>9mm Screw (F74) x 10</p>	<p><b>I</b> </p> <p>9mm Screw (F73) x 20</p>
<p><b>J</b> </p> <p>Drawer runner (F1004) x 10</p>		<p><b>K</b> </p> <p>Handle (F930) x 5</p>
<p><b>L</b> </p> <p>Knock-in Peg (F171GY) x 20</p>	<p><b>M</b> </p> <p>Wedgex (F639) x 16</p>	<p><b>N</b> </p> <p>Strap</p> <p> Screw  Washer x 2</p> <p>Overbalance protector kit (F269) x 1</p>

Ruler - Use this ruler to help correctly identify the screws



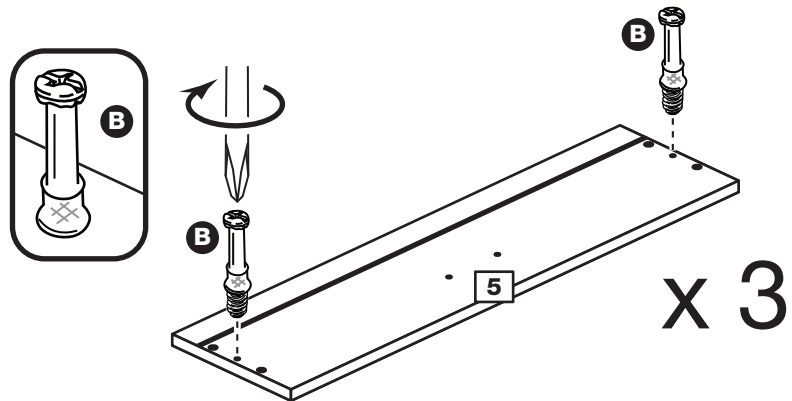
# Assembly Instructions

## Step 1

### Prepare the drawer fronts

Screw 2 metal dowels **B** into the holes shown on the back of each large drawer front **5**.

**Note:** Tighten the metal dowels up fully against the panels.

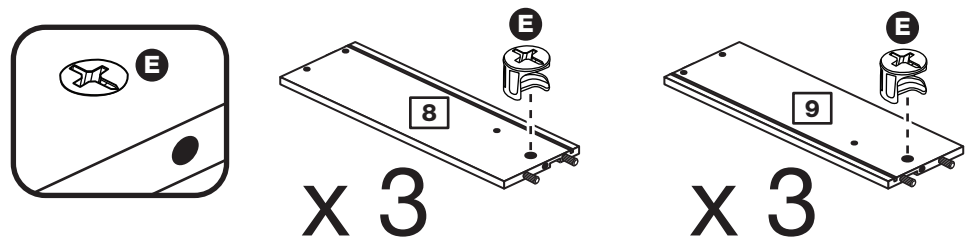


## Step 2

### Prepare the drawer sides

Insert a small locking nut **E** into the hole shown on the left drawer side **8** and right drawer side **9**.

**Note:** The arrow on the locking nut **must** point towards the hole in the edge of the panel.



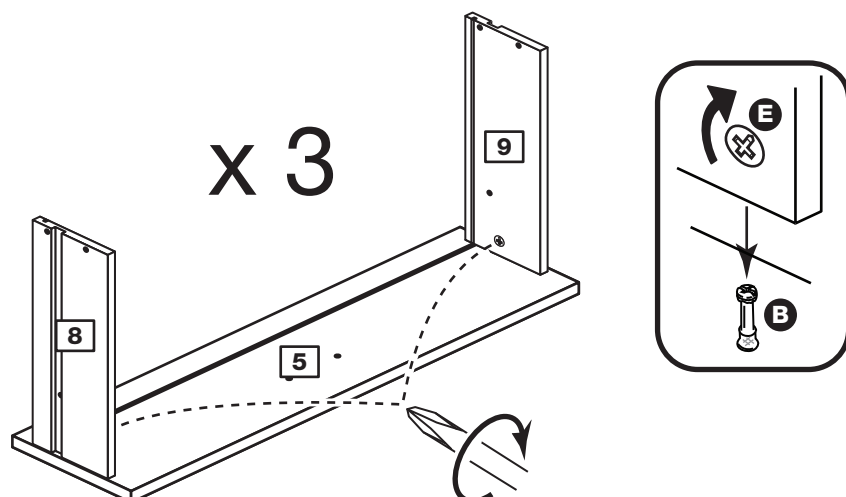
## Step 3

### Attach the drawer sides to the drawer fronts

Push the left drawer sides **8** and right drawer sides **9** onto the back of the large drawer fronts **5**.

Turn the small locking nuts **E** on the left drawer side **8** and right drawer side **9**.

**Note:** Turn the locking nuts **E** clockwise to secure panels - more than 1/2 a turn.

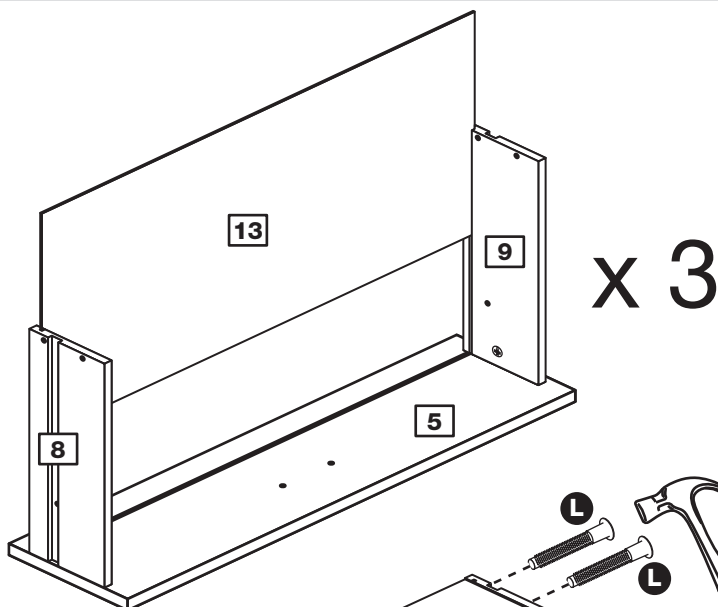


# Assembly Instructions

## Step 4

### Fit the large drawer base

Slide the large drawer base **13** down the grooves in the drawer sides **8** and **9** and down into the groove in the large drawer front **5**.



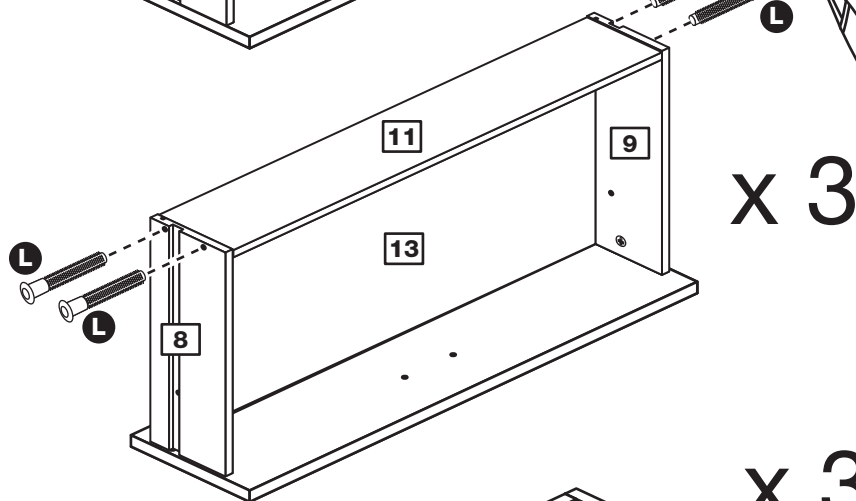
## Step 5

### Fit the large drawer back

Fit the large drawer back **11** between the drawer sides **8** and **9**.

Make sure that the drawer base **13** fits into the groove in the drawer back **11**.

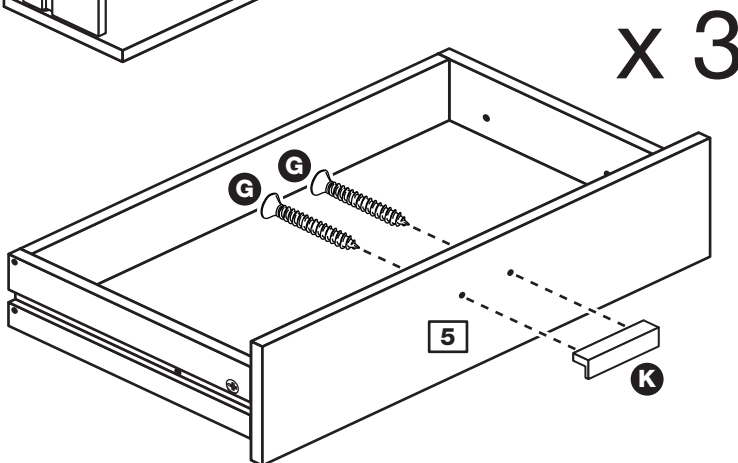
Hold the drawer back **11** in position and tap the knock-in pegs **L** through the holes in the drawer sides **8** and **9**.



## Step 6

### Attach the handle

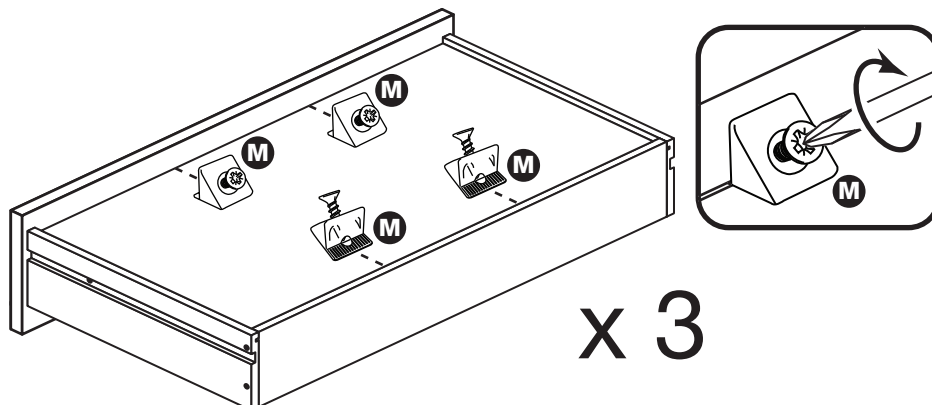
Attach a handle **K** to each large drawer front **5** using 2 screws **G**.



## Step 7

### Fit the wedgexes

Turn the large drawer assemblies over and slide 4 wedgexes **M** into the front and back grooves, as shown, and tighten up the screws.



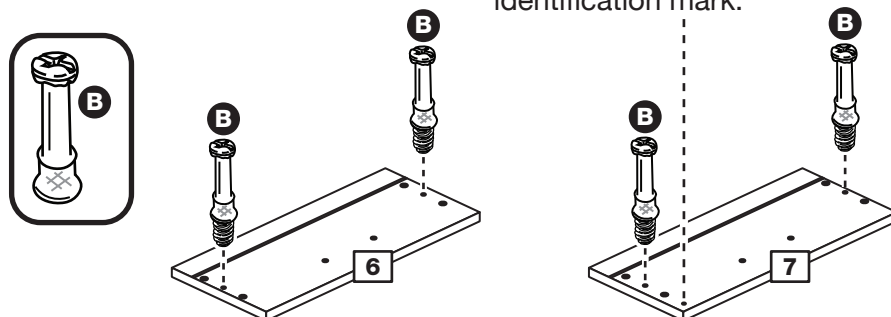
# Assembly Instructions

## Step 8

### Prepare the 2 small drawer fronts

Screw 2 metal dowels **B** into the small left drawer front **6** and the small right drawer front **7**.

**Note:** Tighten the metal dowels up fully against the panels.



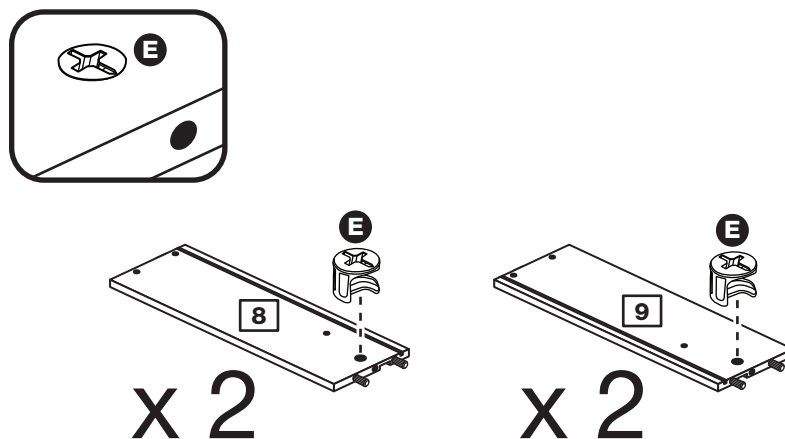
**Note:** The small right drawer front has a shallow identification mark.

## Step 9

### Prepare the drawer sides

Insert a small locking nut **E** into the hole shown on the left drawer side **8** and right drawer side **9**.

**Note:** The arrow on the locking nut **must** point towards the hole in the edge of the panel.



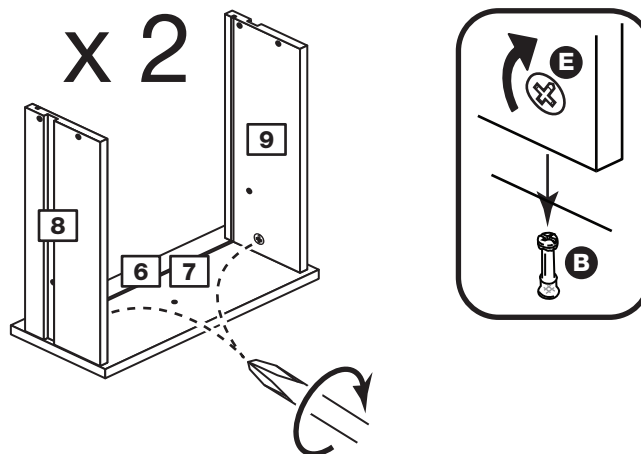
## Step 10

### Attach the drawer sides to the small drawer fronts

Push the left drawer sides **8** and right drawer sides **9** onto the back of the 2 small drawer fronts **6** and **7**.

Turn the small locking nuts **E** on the left drawer side **8** and right drawer side **9**.

**Note:** Turn the locking nuts **E** clockwise to secure panels - more than 1/2 a turn.

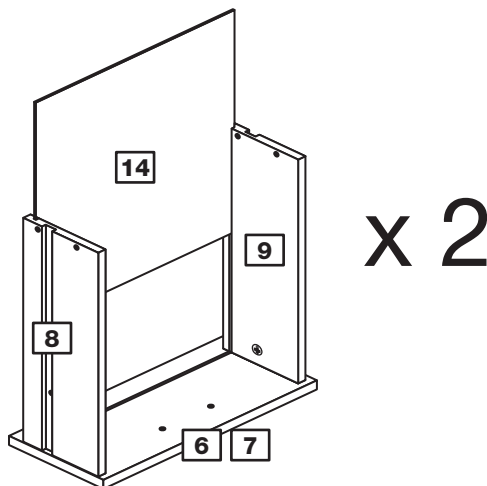


# Assembly Instructions

## Step 11

### Fit the small drawer base

Slide the small drawer base **14** down the grooves in the drawer sides **8** and **9** and down into the groove in the small drawer fronts **6** and **7**.

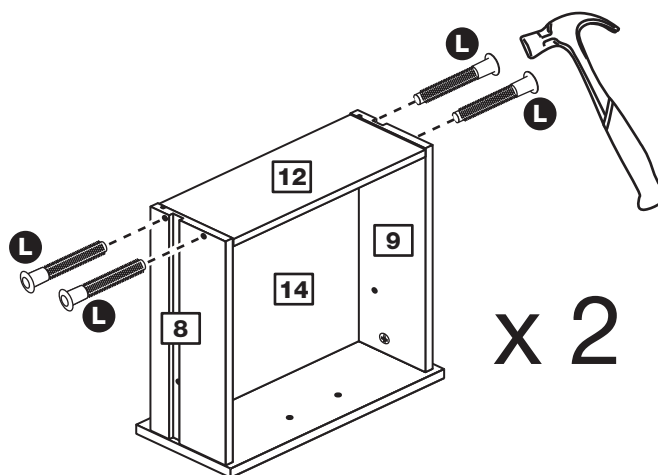


## Step 12

### Fit the small drawer back

Fit the small drawer back **12** between the drawer sides **8** and **9**. Make sure that the small drawer base **14** fits into the groove in the small drawer back **12**.

Hold the small drawer back **12** in position and tap the knock-in pegs **L** through the holes in the drawer sides **8** and **9**.

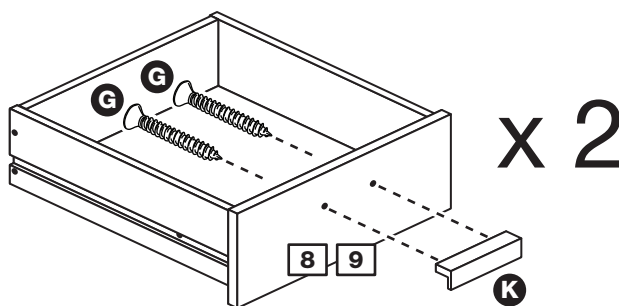


## Step 13

### Attach the handles

Attach a handle **K** to each small drawer front **6** and **7** using 2 screws **G**.

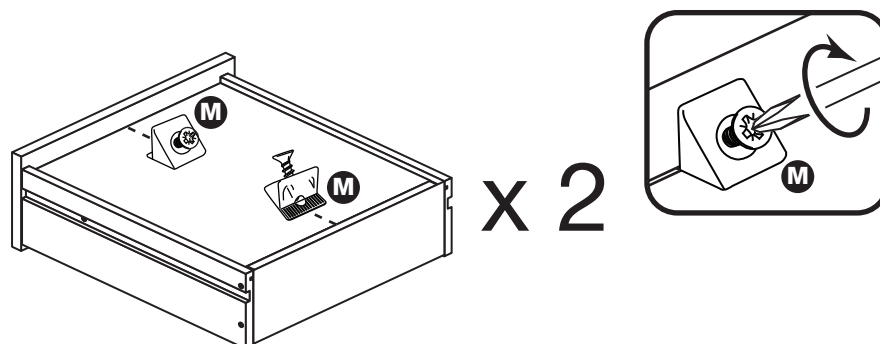
**Note: Do not overtighten the screw.**



## Step 14

### Fit the wedgexes

Turn the drawer assemblies over and slide 2 wedgexes **M** into the front and back grooves, as shown, and tighten up the screws.



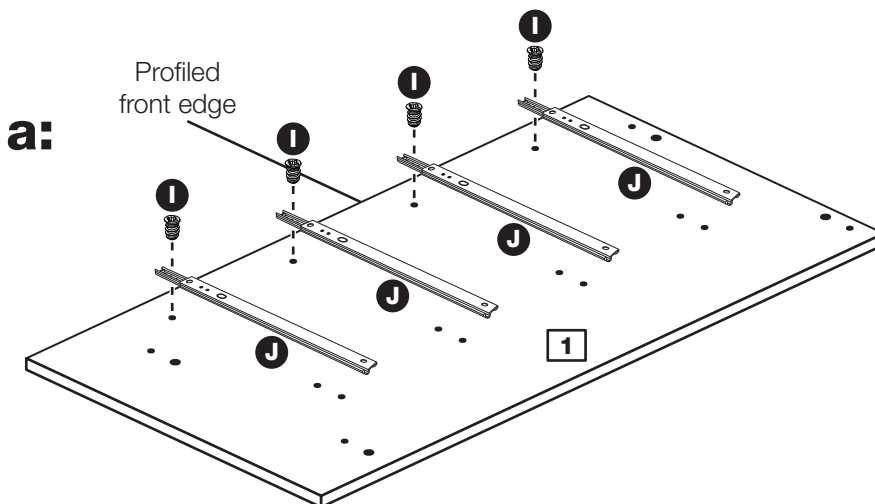
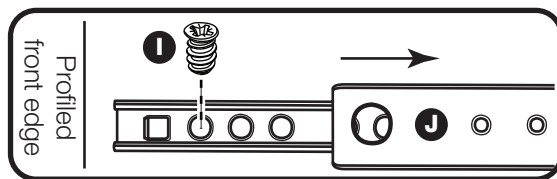


# Assembly Instructions

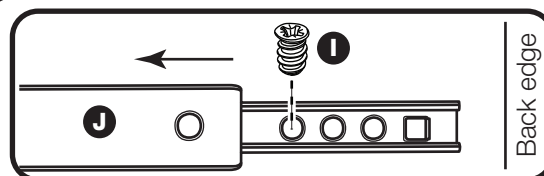
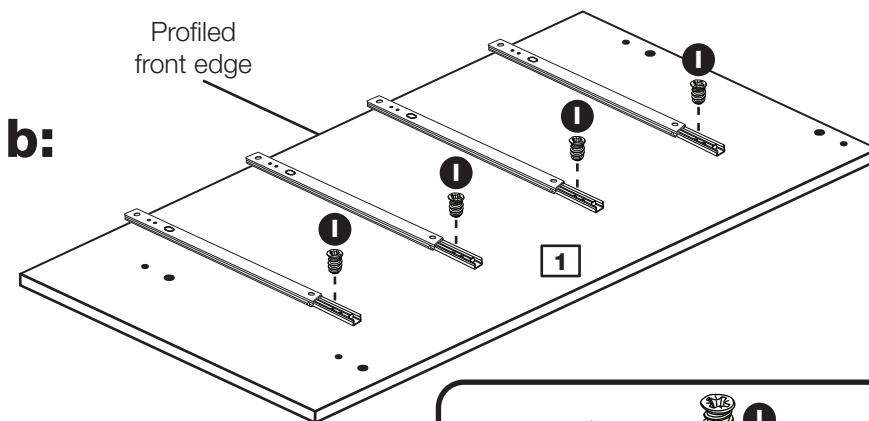
## Step 15

### Prepare the left side

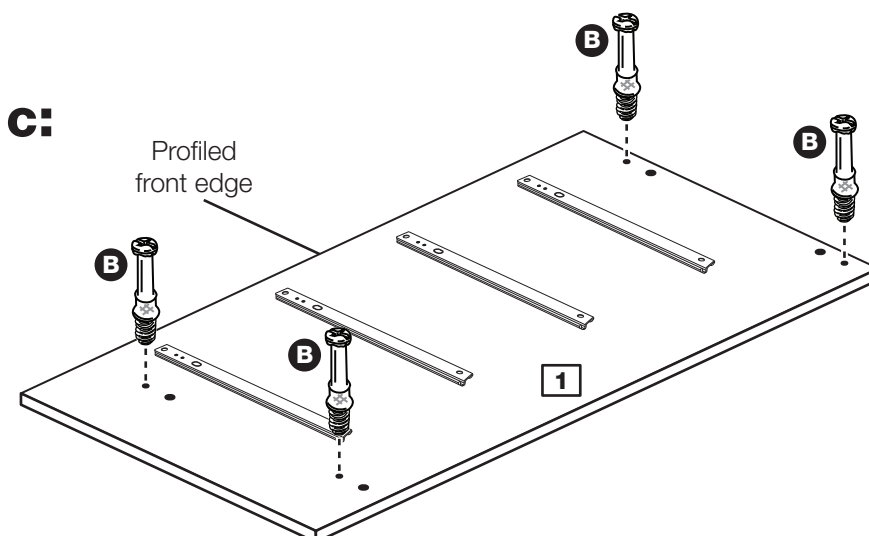
**a:** Place 4 runners **J** on the left side **1**. Slide back the top of the runner and use the 1st hole from the front to fit the 1st screw **I**.



**b:** Slide the runner back the other way and use the 3rd hole from the back to fit the 2nd screw **I**.



**c:** Screw 4 metal dowels **B** into the left side **1**.

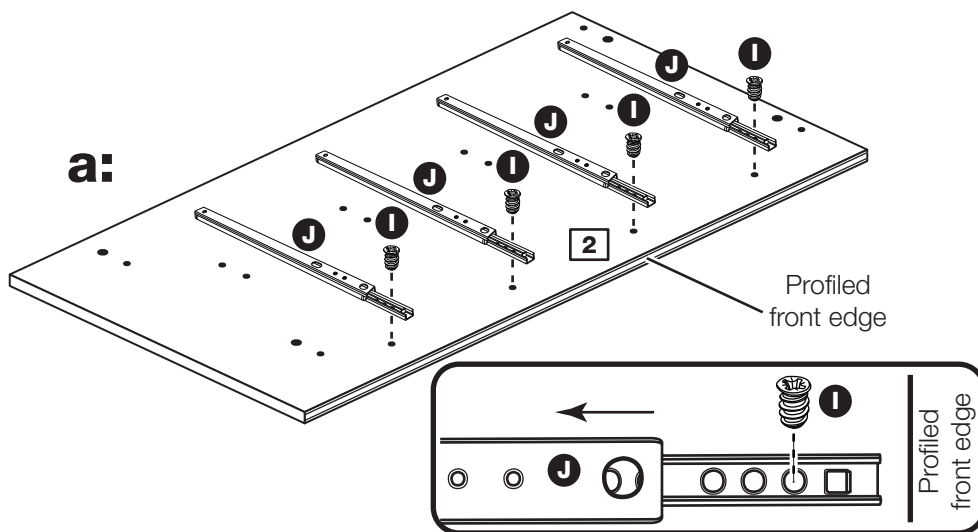


# Assembly Instructions

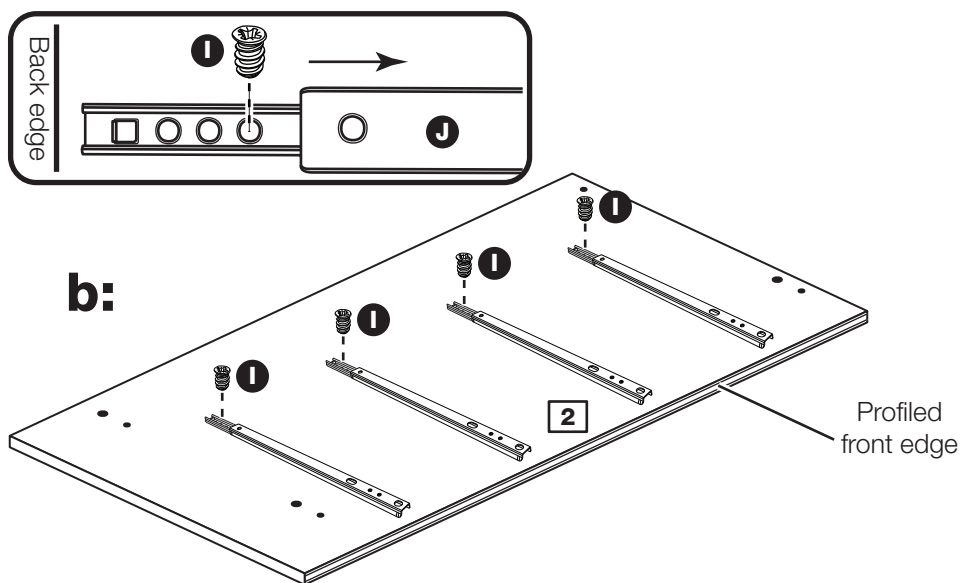
## Step 16

### Prepare the right side

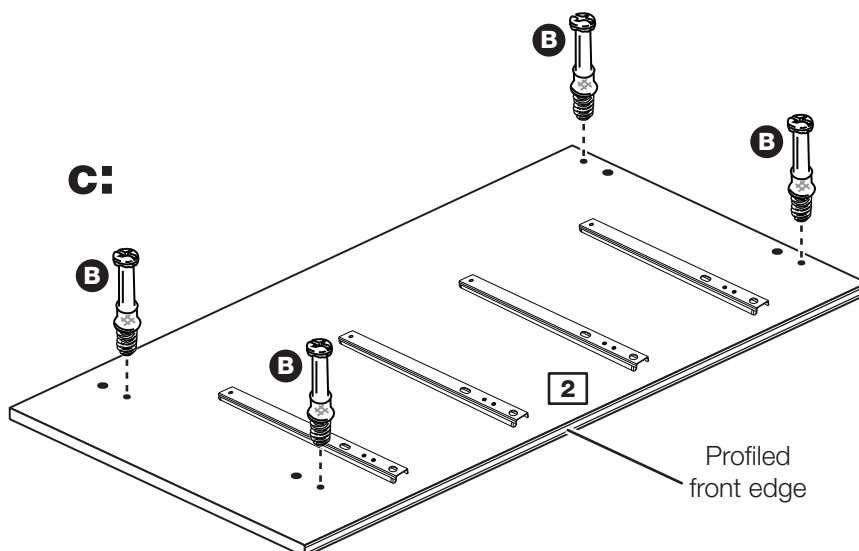
**a:** Place 4 runners **J** on the right side **2**. Slide back the top of the runner and use the 1st hole from the front to fit the 1st screw **I**.



**b:** Slide the runner back the other way and use the 3rd hole from the back to fit the 2nd screw **I**.



**c:** Screw 4 metal dowels **B** into the right side **2**.



# Assembly Instructions

## Step 17

### Prepare the top

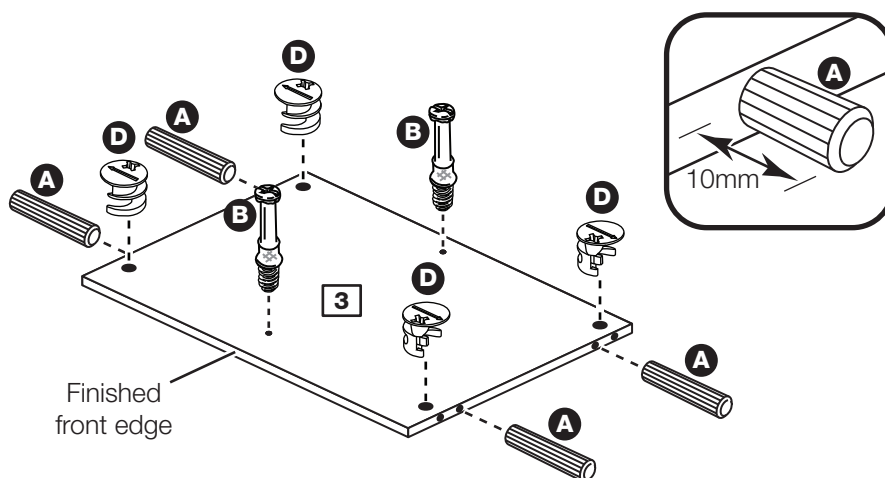
Tap 4 wooden dowels **A** into the top **3** as shown.

**Note:** Wooden dowels **must not** stick out from the edge by more than 10mm or they may damage other panels.

Insert 4 large locking nuts **D** into the top **3**.

**Note:** The arrow on the locking nut **must** point towards the hole in the edge of the panel.

Screw 2 metal dowels **B** into the top **3**.

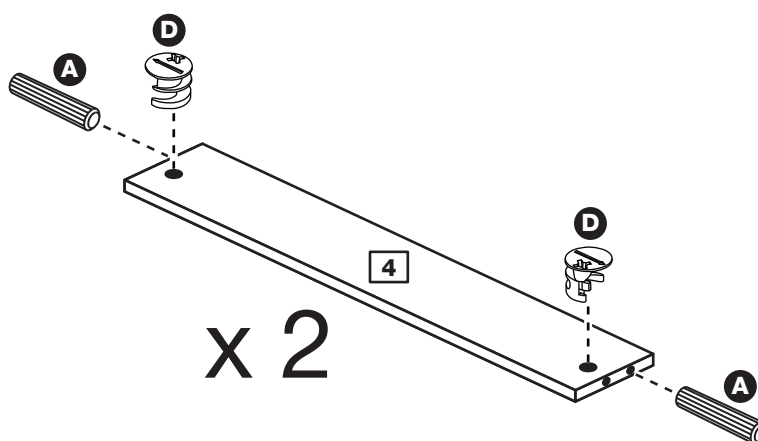


## Step 18

### Prepare the rails

Tap 2 wooden dowels **A** into each of the rails **4**.

Insert 2 large locking nuts **D** into each of the rails **4**.



# Assembly Instructions

## Step 19

### Prepare the divider

**a:** Place a runner **J** on the divider **10** as shown. Slide back the top of runner and use the 1st hole from the front to fit the 1st screw **I**.

**b:** Slide the runner **J** back the other way and fit the 2nd screw **I** into the corresponding hole in the divider **10**.

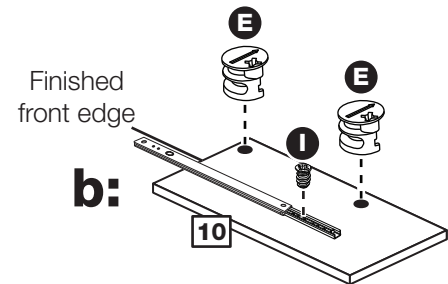
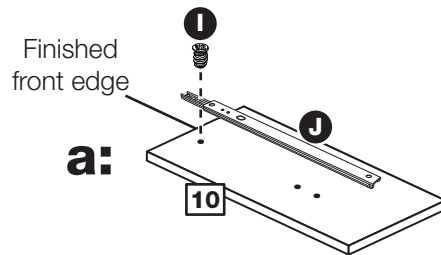
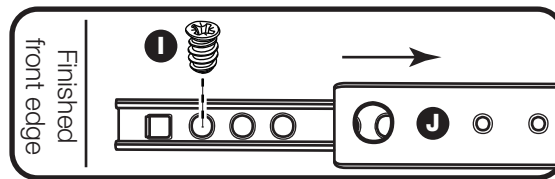
Insert 2 large locking nuts **E** into the divider **10**.

### Turn the divider over

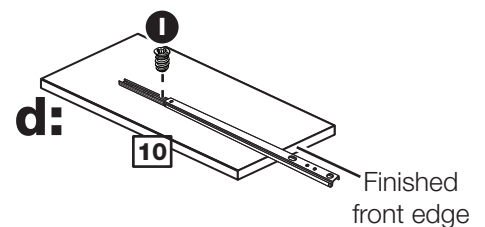
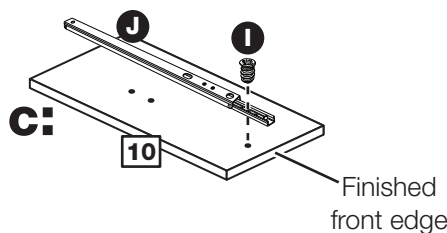
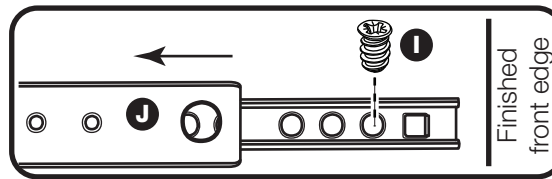
**c:** Place a runner **J** on the divider **10** as shown. Slide back the top of runner and use the 1st hole from the front to fit the 1st screw **I**.

**d:** Slide the runner **J** back the other way and fit the 2nd screw **I** into the corresponding hole in the divider **10**.

**Note:** Due to the manufacturing process, the 2 holes for the large locking nut can be on either surface of the divider.



**Turn the divider over**



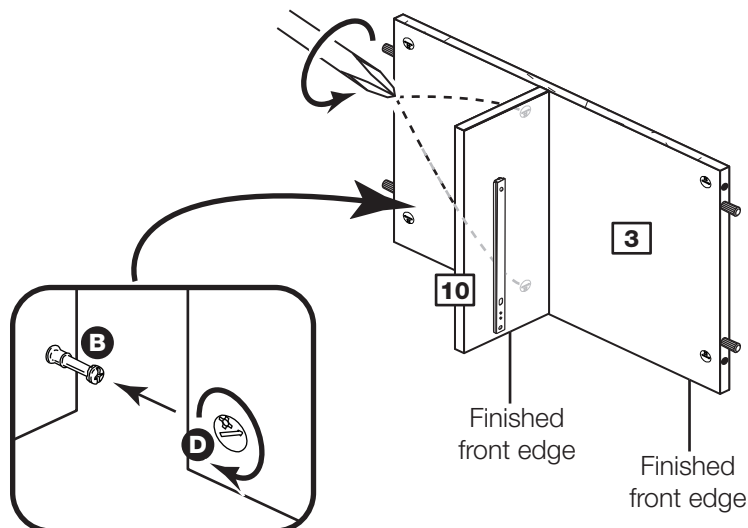
## Step 20

### Join the divider and top

Push the top **3** onto the divider **10** as shown.

Use a screwdriver to tighten the 2 large locking nuts **D** fitted to the divider **10**.

**Note:** Turn the large locking nuts **D** as far as they will go - more than 1/2 a turn.



# Assembly Instructions

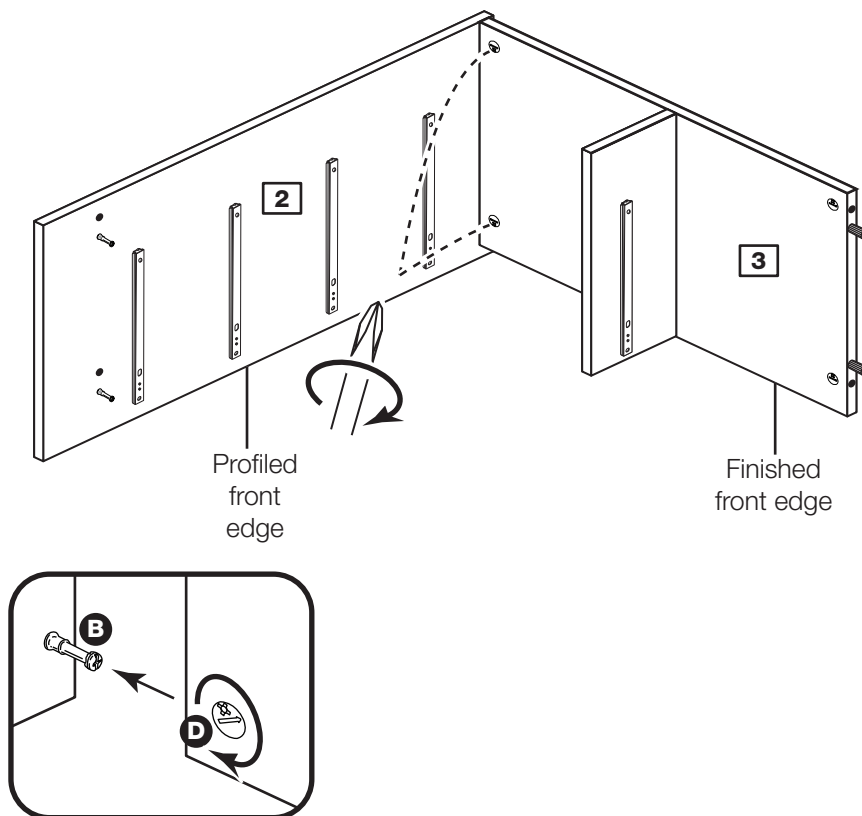
## Step 21

### Join the right side and top

Push the top **3** onto the right side **2** as shown.

Use a screwdriver to tighten the 2 large locking nuts **D** fitted to the top **3**.

**Note:** Turn the large locking nuts **D** as far as they will go - more than 1/2 a turn.

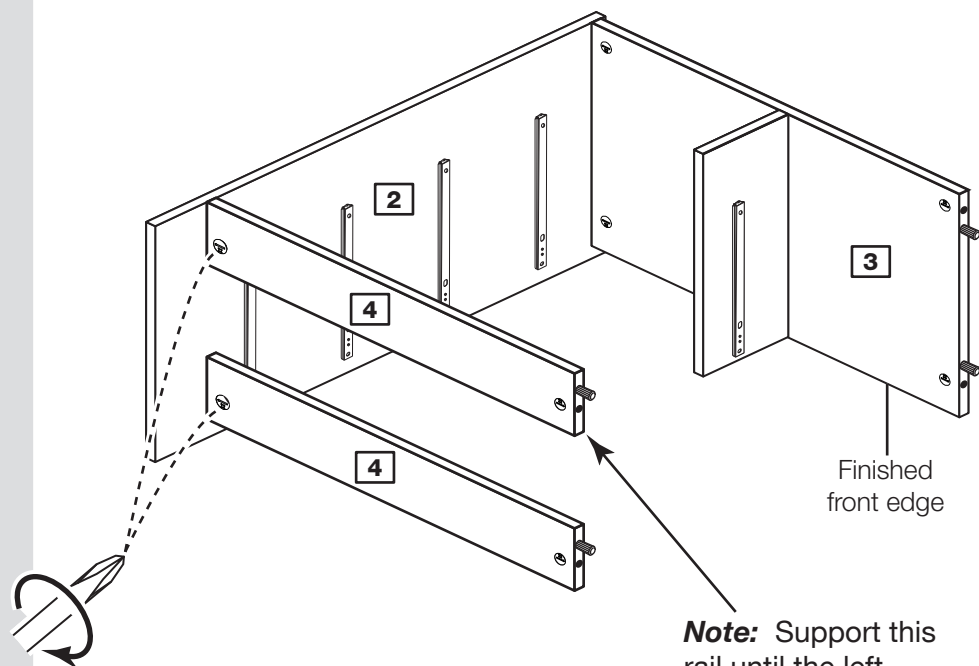


## Step 22

### Fit the rails

Push the rails **4** onto the right side **2** as shown.

Use a screwdriver to tighten the 2 large locking nuts **D** fitted to the rails **4**.



**Note:** Support this rail until the left side has been fitted in the next step.

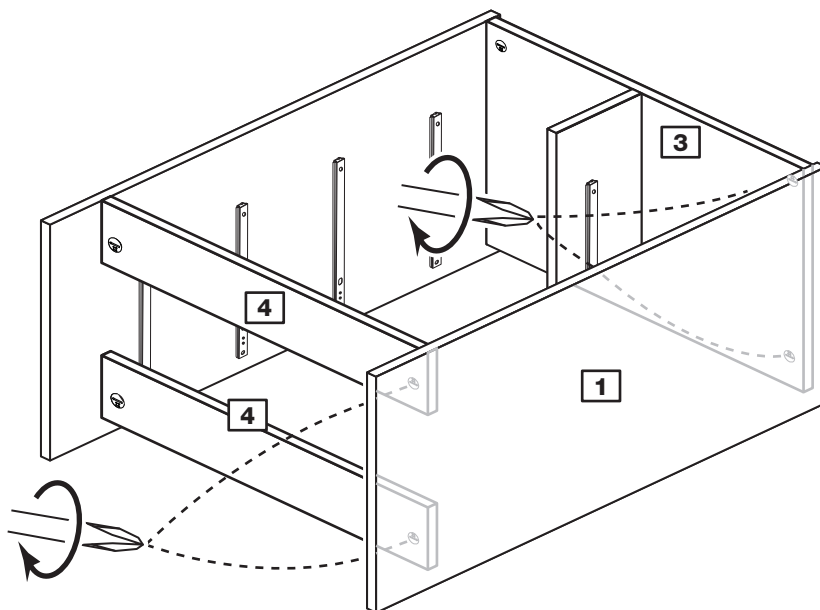
# Assembly Instructions

## Step 23

### Fit the left side

Push the left side **1** onto the assembly.

Use a screwdriver to tighten the 4 large locking nuts **D** fitted to the top **3** and the rails **4**.



## Step 24

### Fit the back

**a:** Square up the unit by making sure that measurement **x** to **x** equals **y** to **y**.

**b:** Place the back **15** onto the unit.

Nail **C** around the outside edges of the back **15**.

**Note:** Nails should be spaced about 150mm apart.

### Fit the 4 plastic nails

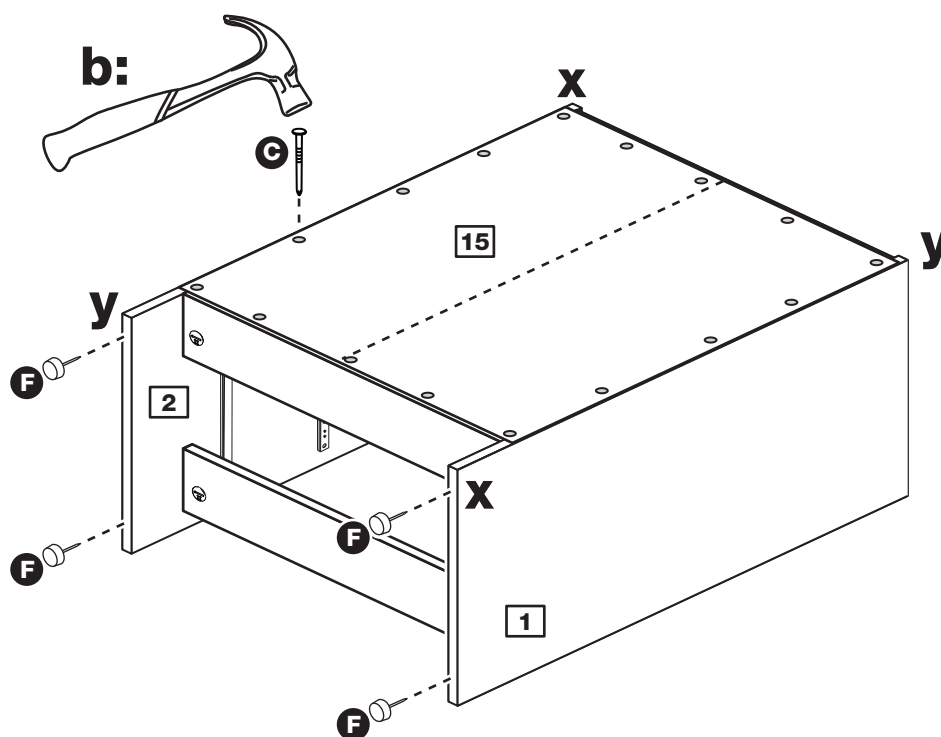
Tap 2 plastic nails **F** into the bottom edge of each of the sides **1** and **2**.

**Stand the unit up for the next step.**



**Warning:** The unit is heavy. Lift with care.

**a:** The measurement from top corner X to bottom corner X must be equal to the measurement from top corner Y to bottom corner Y



# Assembly Instructions

## Step 25

### Fit the drawers

Starting with the bottom drawer, slide both the runners **J** forward and locate the drawer sides **8** and **9** between them, lining up the holes in the drawer wrap with the 2nd 'threaded' holes in the runners **J**.

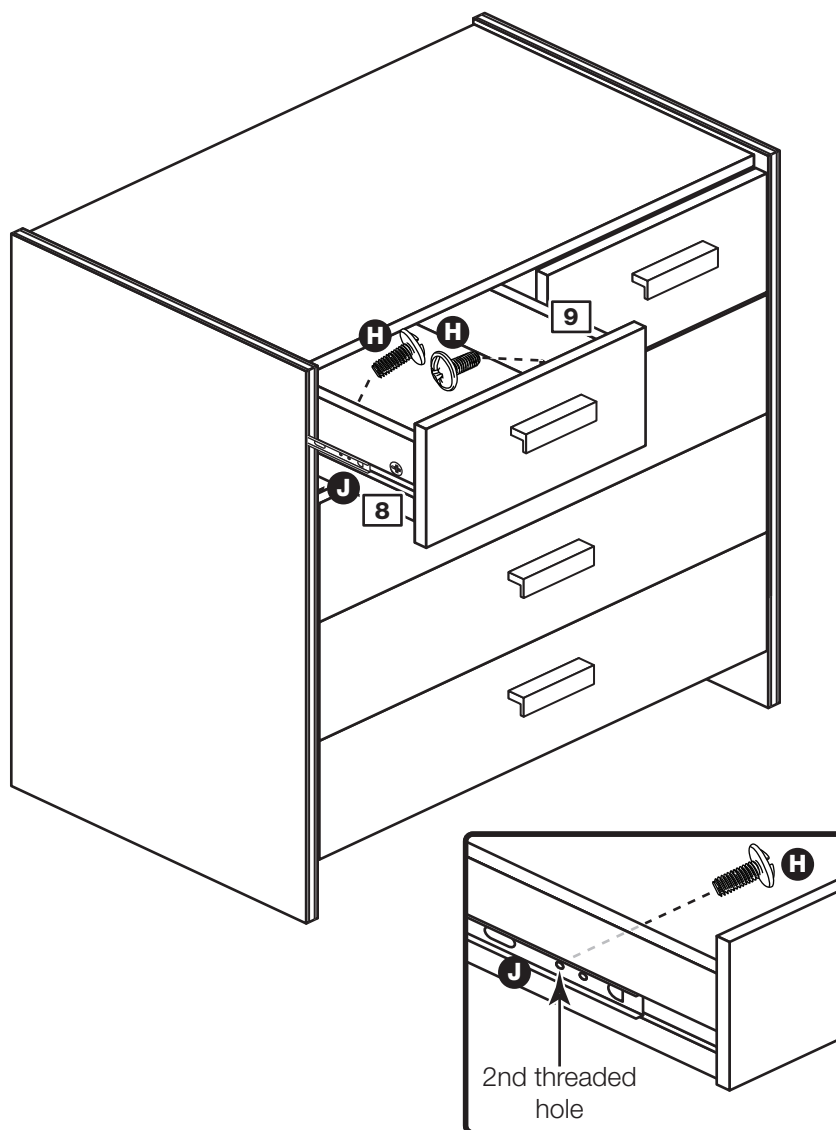
Working from the inside of the drawer, insert 2 screws **H** through the drawer sides and out into the 2nd threaded hole in the runner.

**Note:** Do not overtighten the screws **H**. If they catch on the runner you may need to loosen them slightly.

### Assembly is complete



**Warning:** The unit is heavy. Lift with care.



# Assembly Instructions

## Step 25

### Fit the overbalance protector kit

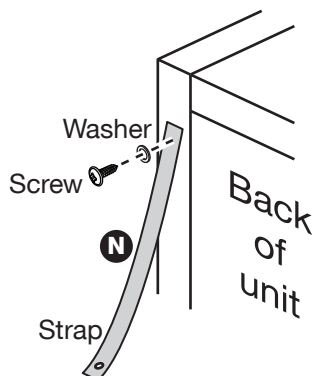
To prevent possible overbalancing this unit **must be secured** to a suitable wall by fitting of the overbalance protector kit **N** to the unit, or an alternative fixing method of your choice.

Wall fixings are not supplied as they will need to suit the wall type.

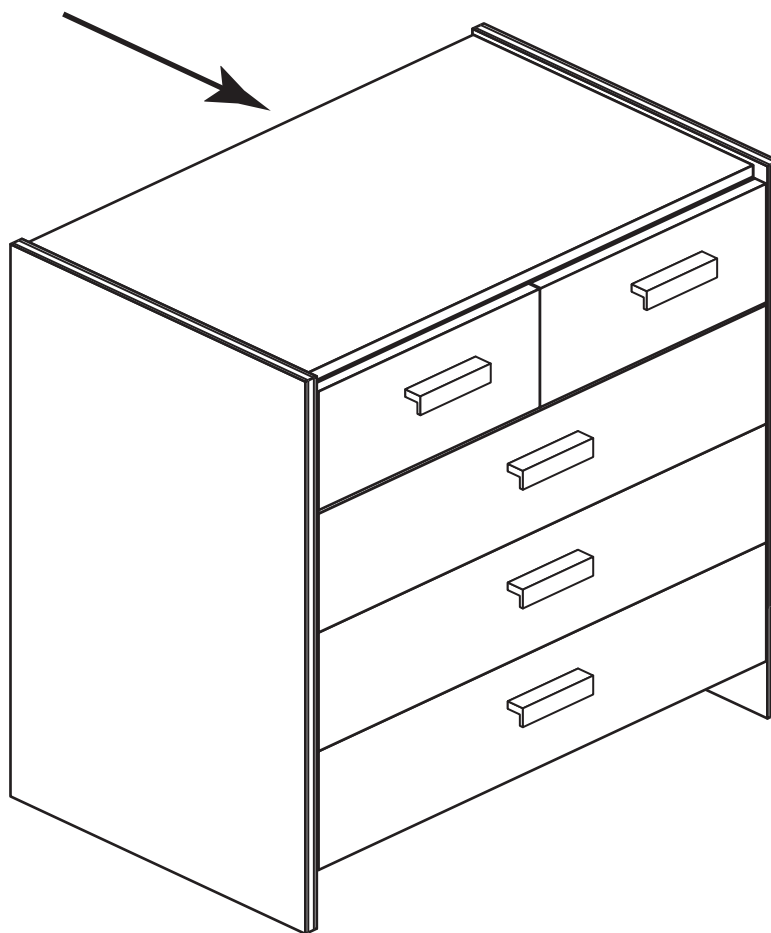
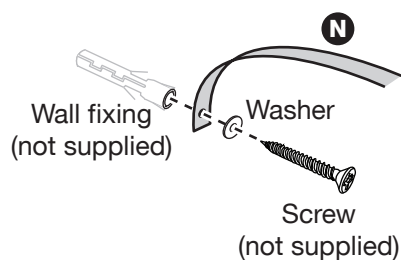
**Note:** Take care when drilling the wall that you do not drill into any pipes, wires etc. If in doubt, consult an expert.

**Assembly is complete**

Fit one end of the strap to the unit



Fit the other end to the wall



If you need help or have damaged or missing parts, please visit [www.argos-support.co.uk](http://www.argos-support.co.uk) or email: [Help@ClickSpares.co.uk](mailto:Help@ClickSpares.co.uk) (quoting your original order number)  
Alternatively, call the Spares Helpline on: 0370 112 1928.  
For any other queries please contact the Customer Helpline on: 0345 640 2020