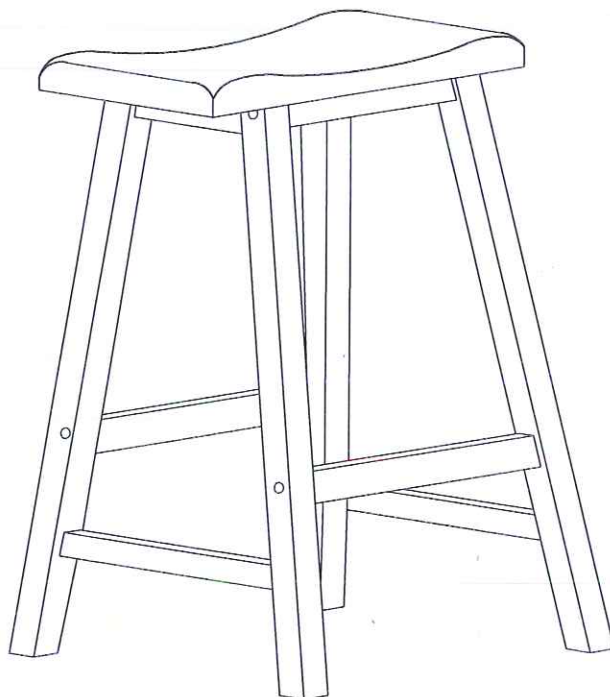


Wooden Saddle Bar Stool

Assembly Instructions - Please keep for future reference

448 / 7203

459 / 1948



Dimensions

Width - 45 cm

Length - 39 cm

Height - 73.5 cm

Important - Please read these instructions fully before starting assembly

If you need help or have damaged or missing parts, call the **Customer Helpline** :
Argos 0345 640 0800



Safety and care Advice

Important - Please read these instructions fully before starting assembly

- Check you have all the components and tools listed on pages 2.
- Remove all fittings from the plastic bags and separate them into their groups.
- Keep children and animals away from the work area, small parts could choke if swallowed.
- Make sure you have enough space to layout the parts before starting.
- During assembly do not stand or put weight on the product, this could cause damage.
- Assemble the item as close to its final position (in the same room) as possible.
- Assemble on a soft level surface to avoid damaging the unit or your floor.
- Parts of the assembly will be easier with 2 people.
- To reduce the likelihood of damaging your product please ensure that your power drill is set on a low torque setting.
- Maximum Safe user weight : 110kgs
- Do not stand on the stool
- Do not use this stool as step ladder.



Care and maintenance

- Only clean using a damp cloth and mild detergent, do not use bleach or abrasive cleaners.
- From time to time check that there are no loose screws on this unit.
- This product should not be discarded with household waste. Take to your local authority waste disposal centre.

Handy Hints

- Assemble all parts and bolts loosely during assembly, only once the product is complete should you fully tighten the bolts
- Regularly check and ensure that all bolts and fittings are tightened properly.

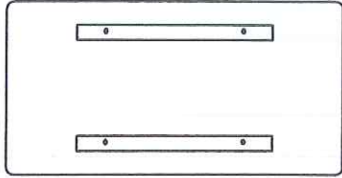
Note : if required the next page can be cut out and used as reference throughout the assembly. Keep this page with these instructions for future reference.

Components - Part

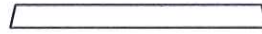
If you have damaged or missing components
, call the Customer Helpline :
Argos= 0345 640 0800

Please check you have all the parts listed below

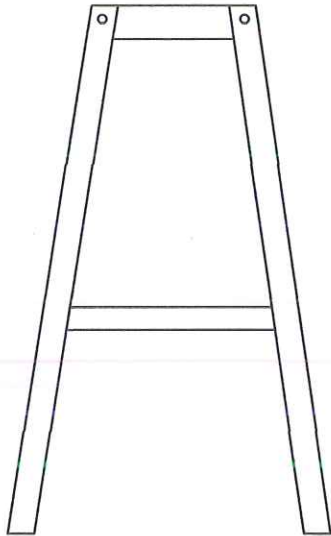
- 1 Seat x1
(4.3 x 23 x 44.5cm)



- 3 Side Stretcher x2
(2.0 x 3.0 x 34mm)



- 2 Leg Frame x2
(3.5 x 45 x 70cm)






Components - Fittings

If you have damaged or missing components
, call the Customer Helpline :
Argos= 0345 640 0800

Please check you have all the parts listed below

Note : The quantities below are the correct amount to complete the assembly. In some cases more fittings may be supplied than are required.

<p>A</p>  <p>M7 x 50mm JCBCW x 8</p>	<p>B</p>  <p>Wood Button 13.5 x 9mm x 8</p>	<p>C</p>  <p>Allen Key x 1</p>
--	---	--

Tools required



Ruler/tape
measure

Ruler - Use this ruler to help correctly identify the screws

0 5 10 15 20 25 30 35 40 45 50 55 60 65 70 75 80 85 90 95 100 105 110 115 120 125 130 135 140 145 150 155 160 165 170



The screws length is measured from the head to the point (30mm screw shown).

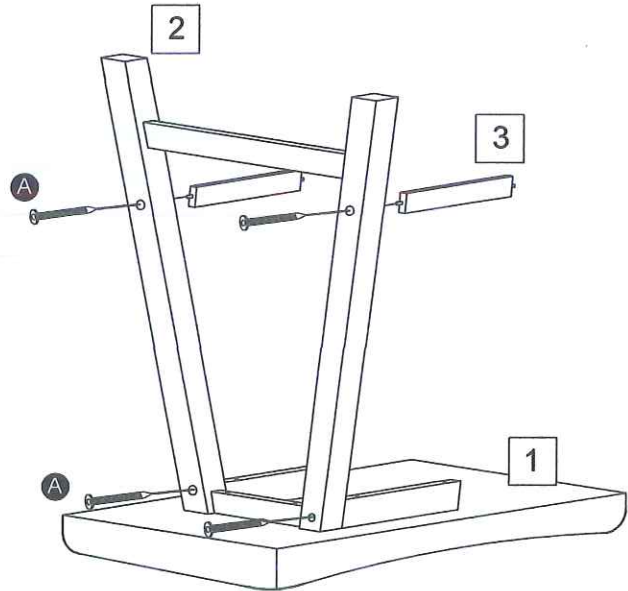
Assembly Instructions

Step 1

Assembling legs

- a. Place seat **1** upside down smooth carpet surface. Line up legs of leg frame **2** with screw holes on bottom of seat **1** and using fixing **A**.
- b. Insert Stretcher **3** into leg frame **2** and using fixing **A**

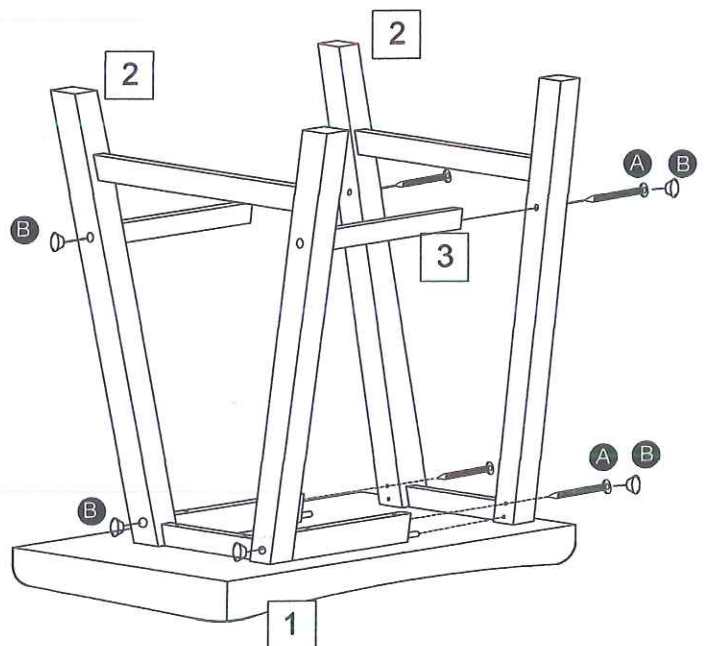
Note : Do not fully tighten at this stage.



Step 2

Assembling Legs

- a) Line up of second leg frame **2** with screw holes on bottom of seat **1** and using fixing **A**. Do not tighten these screw all the way until you insert the stretcher **3** when all holes are aligned. Tighten all remaining screw.
- b. Insert wood button **B** into every hole in leg frame **2**.



Assembly Instructions

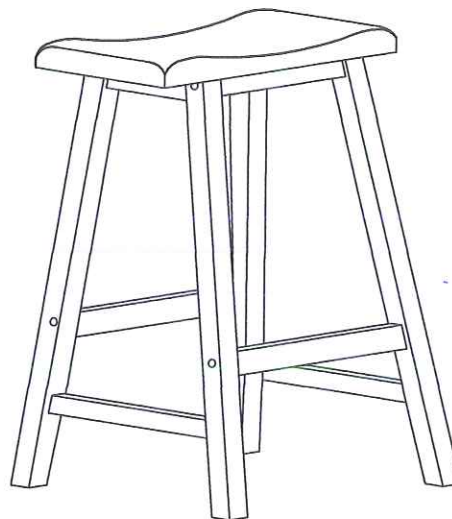
Step 3

Completing Assembly

Turn chair upright and place on a level surface.

Whilst applying a firm downward pressure to the seat, tighten all screws.

Assembly is complete.



If you need help or have damaged or missing parts, call the **Customer Helpline** :
Argos = 0345 640 0800