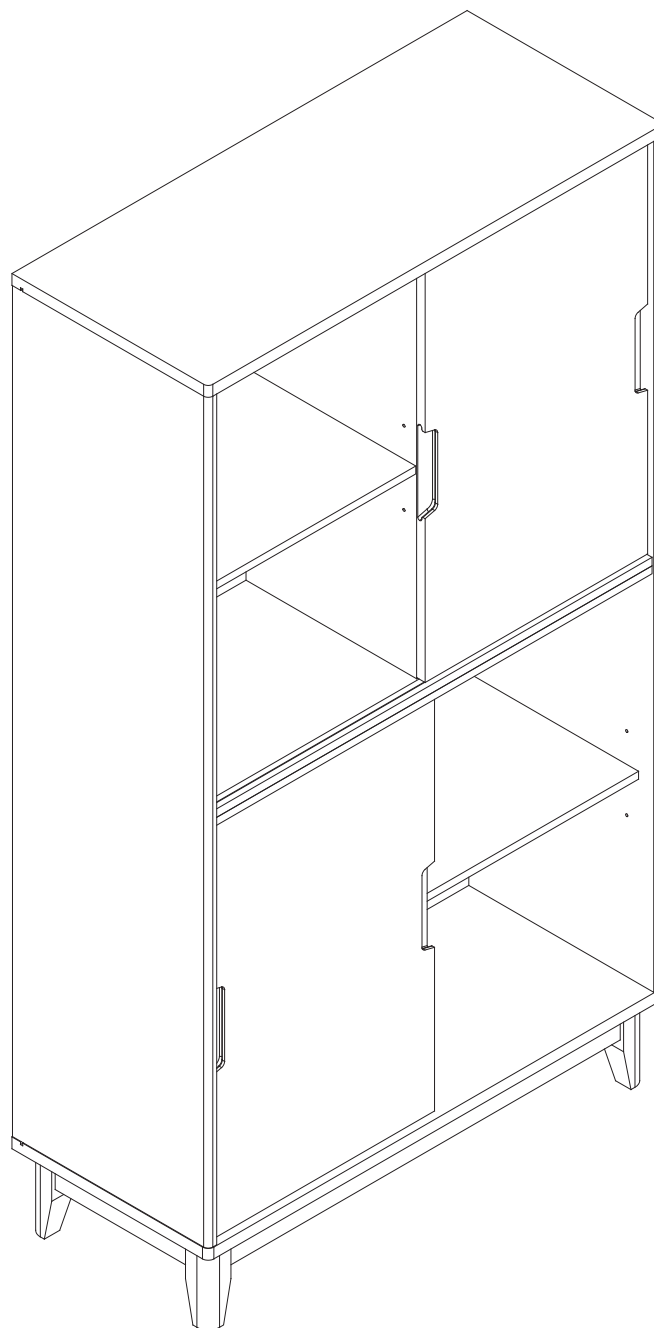


SKYE WOOD / WHITE DISPLAY UNIT

Assembly Instructions - Please keep for future reference

448/5418(D)



Dimensions

Width - 80cm
Depth - 34.5 cm
Height - 145.7 cm

Important - Please read these instructions fully before starting assembly

If you need help or have damaged or missing parts, call the

Customer Helpline: 0345 6400 800



Safety and Care Advice

Important – Please read these instructions fully before starting assembly

Check you have all the components and tools listed on pages 2 and 3.

Remove all fittings from the plastic bags and separate them into their groups.

Keep children and animals away from the work area, small parts could choke if swallowed. Make sure you have enough space to layout the parts before starting.

Assemble the item as close to its final position (in the same room) as possible.

Assemble on a soft level surface to avoid damaging the unit or your floor.

Assembly requires 2 people.

Keep this instructions for future use.

Do not stand or put excessive weight on the product, this could cause damage.



We do not recommend the use of power drill/drivers for inserting screws, as this could damage the unit. Only use hand screwdrivers and Allen keys.

Dispose of all packaging carefully and responsibly.

Care and maintenance

Only clean using a damp cloth and mild detergent, do not use bleach or abrasive cleaners.

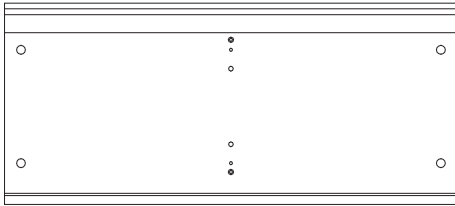
From time to time check that there are no loose screws on this unit.

This product should not be discarded with household waste. Take to your local authority waste disposal centre.

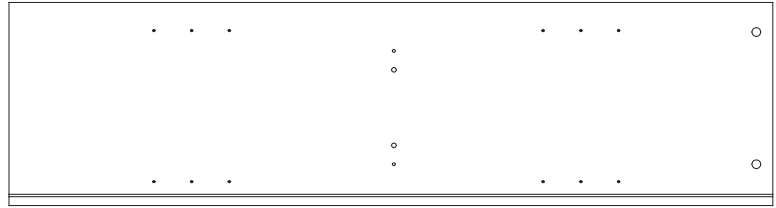
Components - Parts

If you have damaged or missing components.
call the **Customer Helpline**: 0345 6400 800

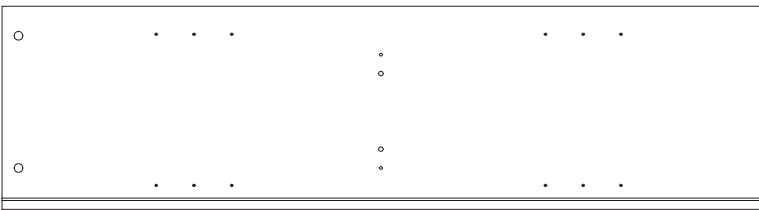
Please check you have all the parts listed below



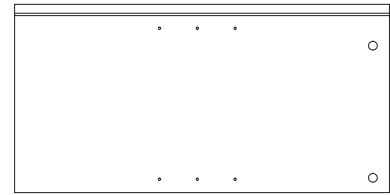
1 Middle shelf x 1
(76.8x34.1x2.5cm)



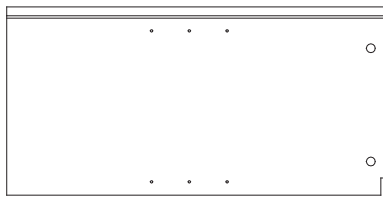
2 Left side panel x 1
(129.5x34.3x1.5cm)



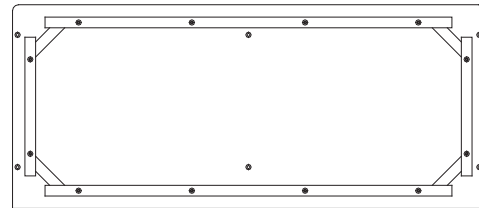
3 Right side panel x 1
(129.5x34.3x1.5cm)



4 Middle divider (up) x 1
(63.5x31.9x1.5cm)



5 Middle divider (down) x 1
(64.5x31.9x1.5cm)



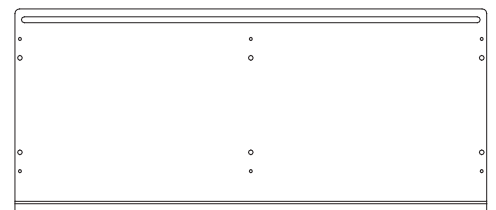
6 Bottom x 1
(80x34.5x6.3cm)



7 Foot x 4
(12.3x4x4cm)



8 Back panel (down) x 2
(65.2x38.4x0.3cm)



9 Top panel x 1
(80x34.5x1.8cm)



10 Back panel (up) x 2
(64.2x38.4x0.3cm)



11 Removable shelf x 4
(37.5x29.9x1.2cm)



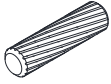
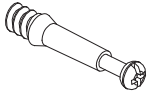
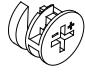
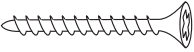
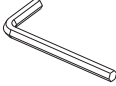
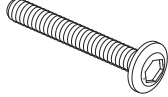


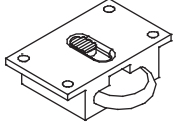
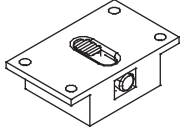




12 Door panel x 2
(62.9x39.1x1.5cm)

Components - Fittings

If you have damaged or missing components, call the **Customer Helpline: 0345 6400 800**

Please check you have all the fittings listed below

Note: The quantities below are the correct amount to complete the assembly. In some cases more fittings may be supplied than are required.

<p>A</p>  <p>Dowel x 20</p>	<p>B</p>  <p>Cam-bolt x 12</p>	<p>C</p>  <p>Cam-lock x 12</p>
<p>D</p>  <p>Wood screw x 8</p>	<p>E</p>  <p>Allen key x 1</p>	<p>F</p>  <p>Hexagon screw x 4</p>
<p>G</p>  <p>Washer x 4</p>	<p>H</p>  <p>Shelf pin x 16</p>	<p>I</p>  <p>Sliding door roller x 4</p>
<p>J</p>  <p>Sliding door pin x 4</p>	<p>K</p>  <p>Wood screw x 32</p>	<p>L</p>  <p>Protector x 4</p>
<p>M</p>  <p>Wall Strap x 2</p>	<p>N</p>  <p>Screw x 2</p>	

Tools required

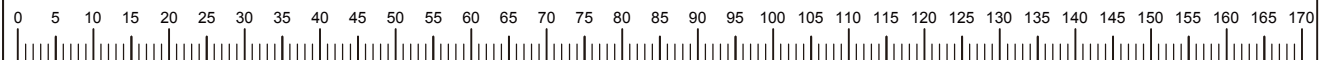


Ruler/tape measure
(Not supplied)



Phillips screwdriver
(Not supplied)

Ruler - Use this ruler to help correctly identify the screws



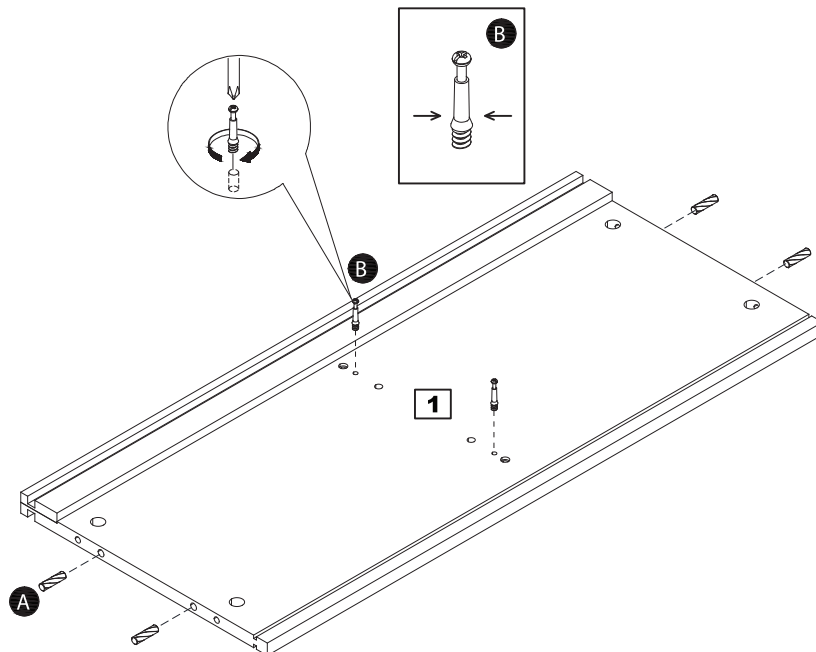
Assembly Instructions

Step 1

Preparing middle shelf

Insert dowels **A** into end of middle shelf **1**, Screw cam-bolt **B** into middle shelf **1** as shown

Note: Do not over tighten.

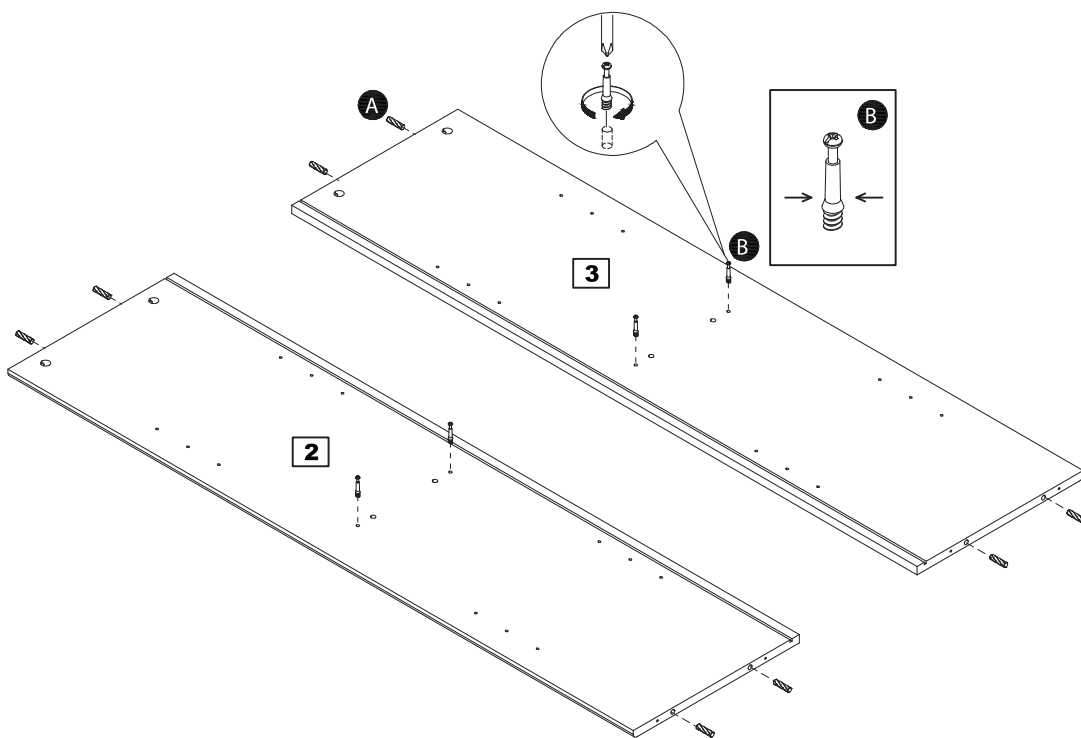


Step 2

Preparing side panel

Insert dowels **A** into end of side panel **2** and **3** screw cam-bolt **B** into side panel **2** and **3**, as shown

Note: Do not over tighten.



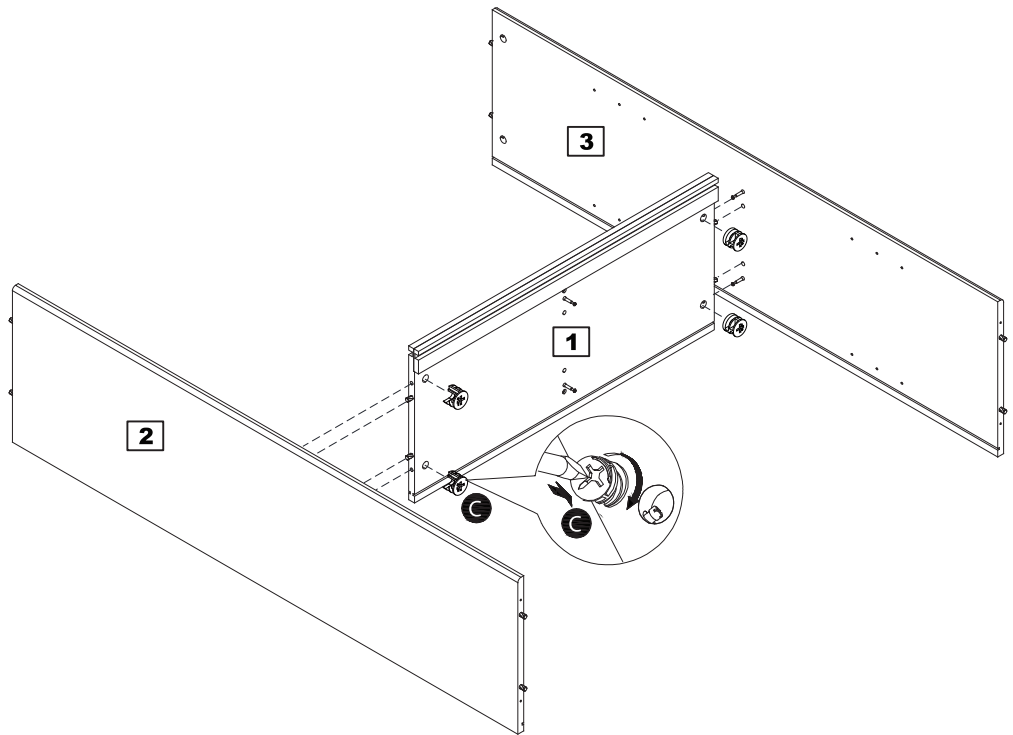
Assembly Instructions

Step 3

Assembling side panel and middle shelf

Fix side panel **2** and **3**, and middle shelf **1** together with cam-bolt **C** as shown

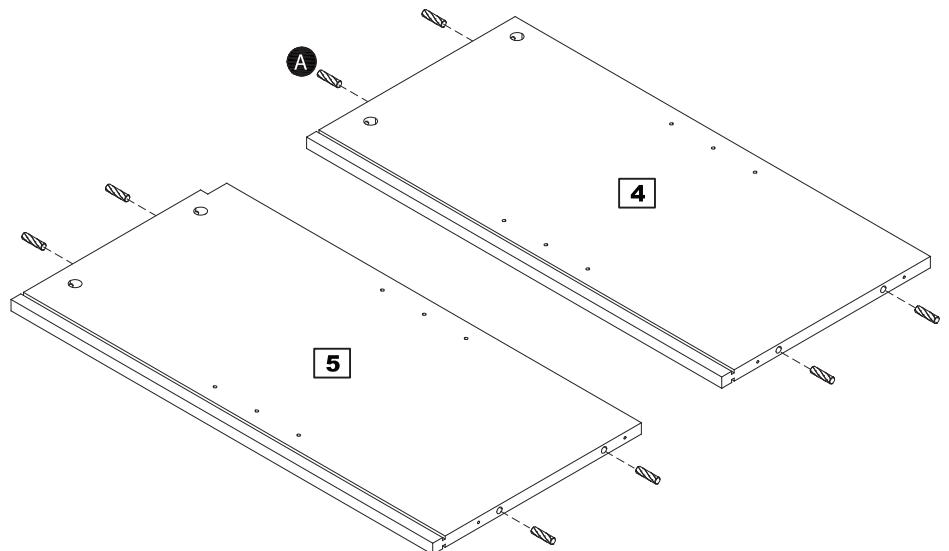
Note: Please pay attention to direction of each board.



Step 4

Prepare middle divider

Insert dowels **A** into end of middle divider **4** and **5** as shown.



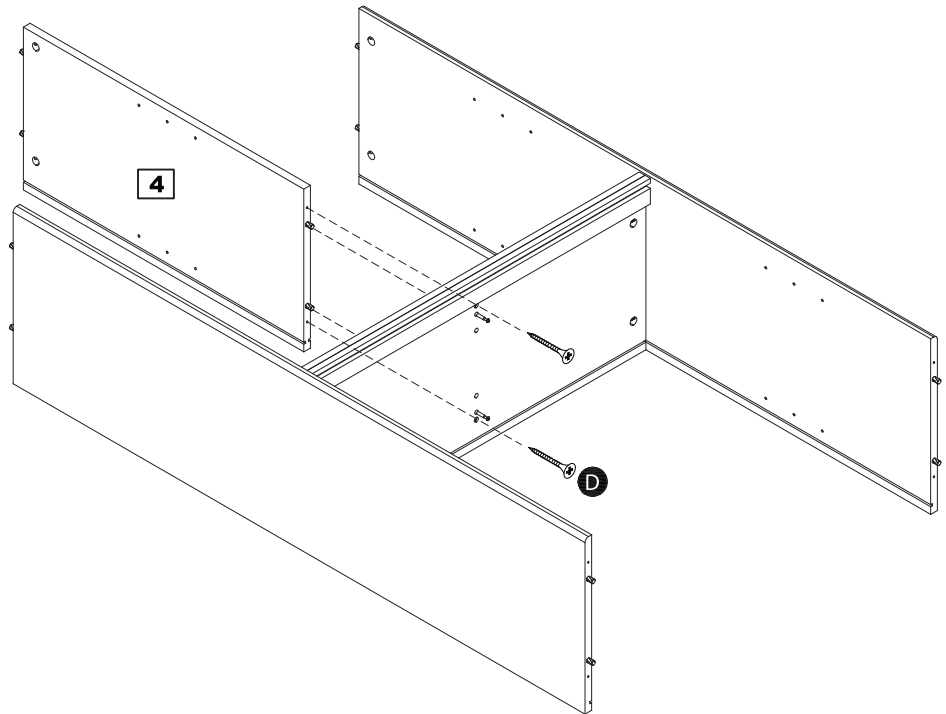
Assembly Instructions

Step 5

Assembling middle divider up

Fix middle divider up **4**
on the middle shelf **1**
with wood screw **D**
as shown

Note: Please pay
attention of direction of
board

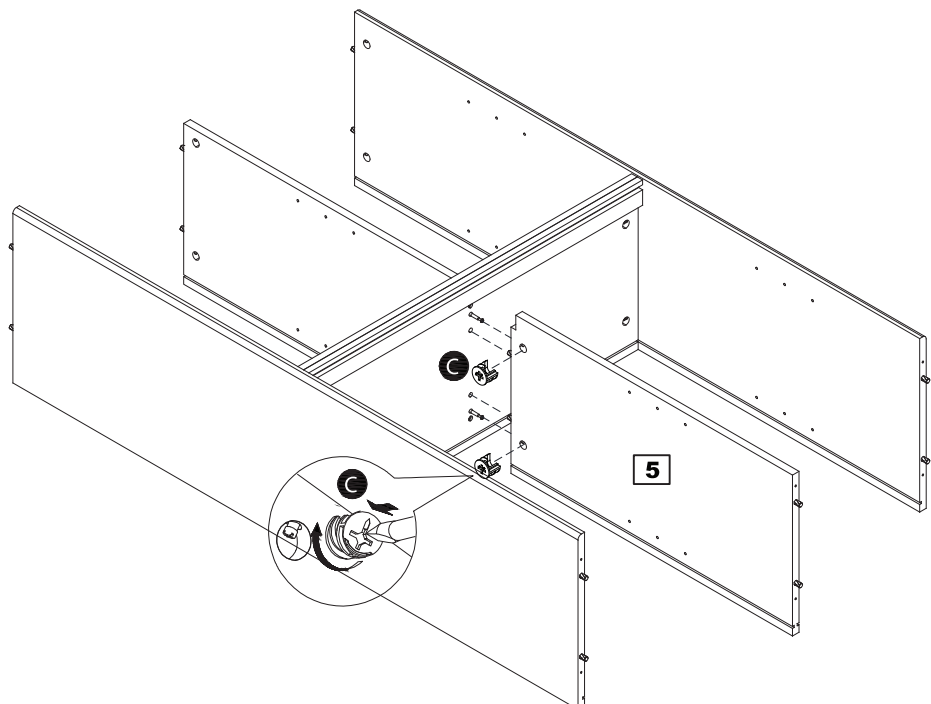


Step 6

Assembling middle divider down

Fix middle divider **5**
on the middle shelf **1**
with cam-lock **C** as
shown

Note: Please pay
attention of direction of
board



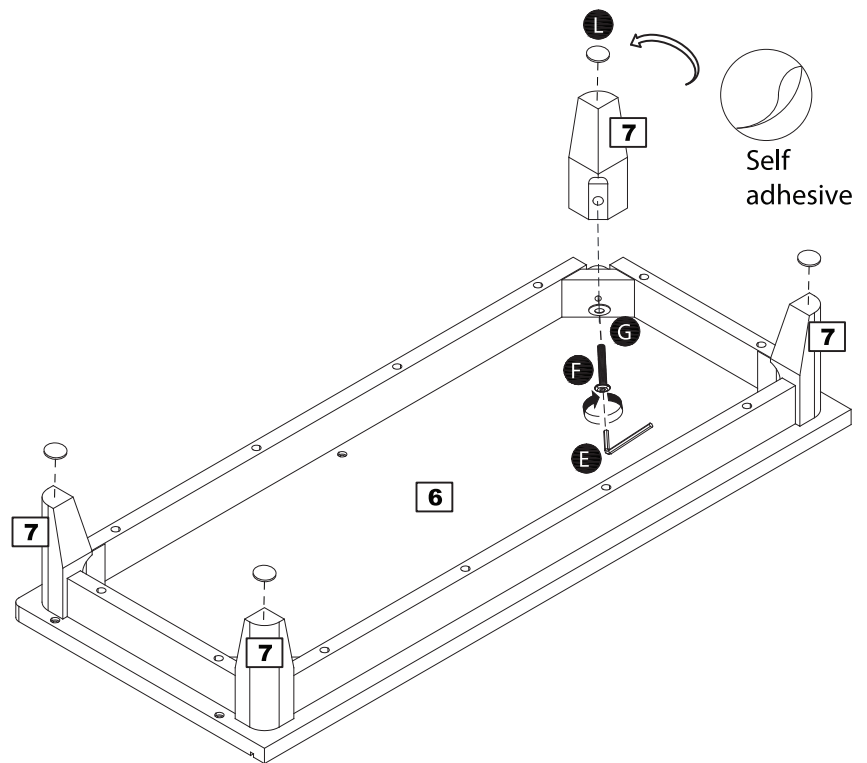
Assembly Instructions

Step 7

Assembling feet

Fix feet **7** on base panel **6** with hexagon screws **F** and washer **G**, stick protector **L** on the end of feet

Note: Do not over tighten.

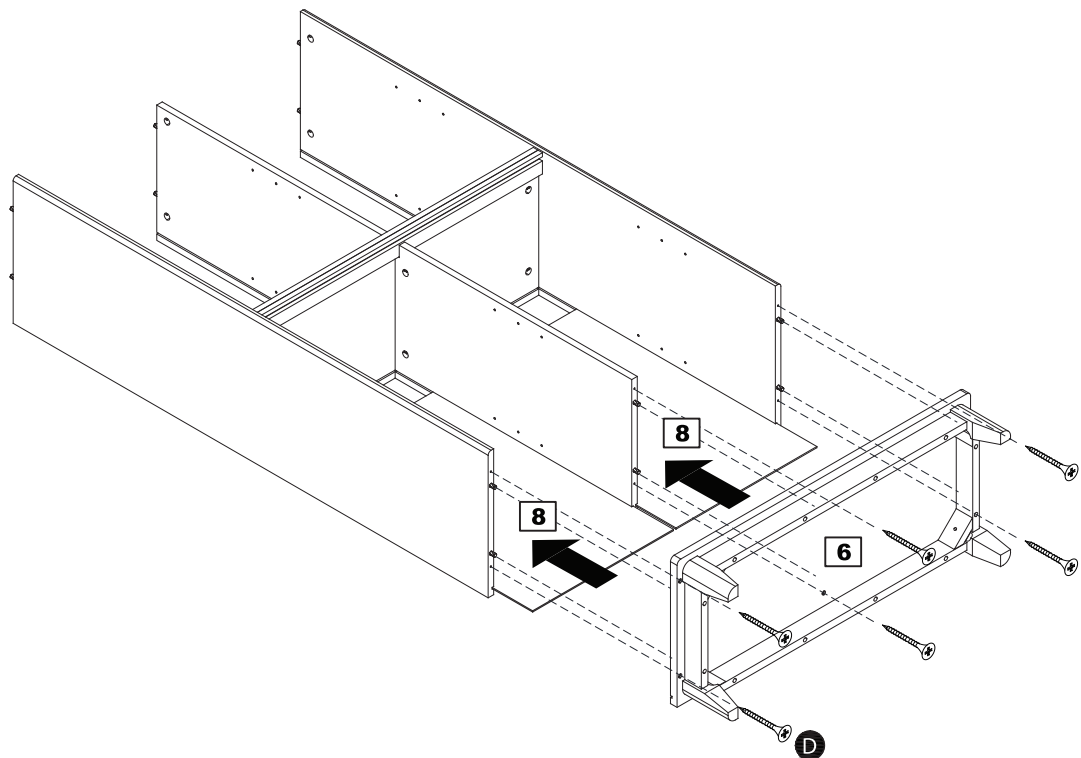


Step 8

Assembling back panel and base panel

Sliding back panel **8** into groove, fix base panel **6** with wood screws **D** as shown

Note: Do not over tighten.



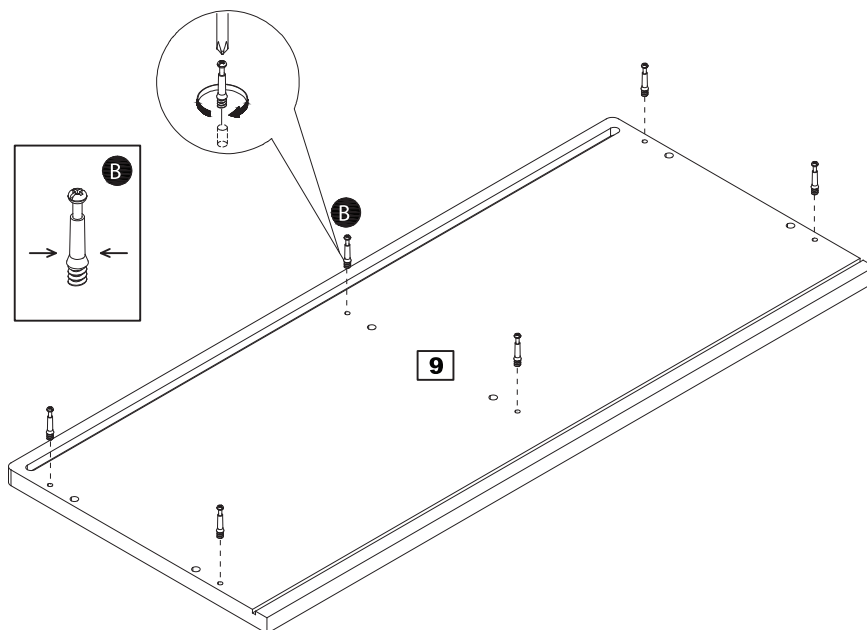
Assembly Instructions

Step 9

Preparing top panel

Screw cam-bolts **B** into top panel **9**

Note: Do not over tighten.

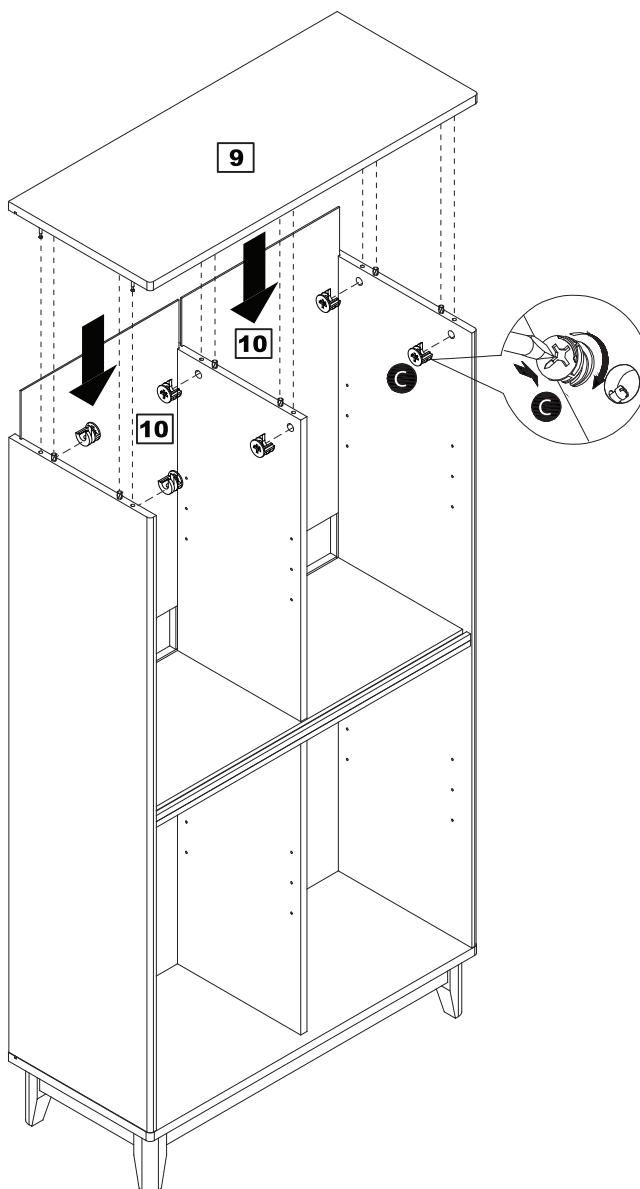


Step 10

Assembling back panel and top panel

Sliding back panels **10** into groove, fix top panel **9** with cam-lock **C** as shown

Note: Please pay attention of direction of board

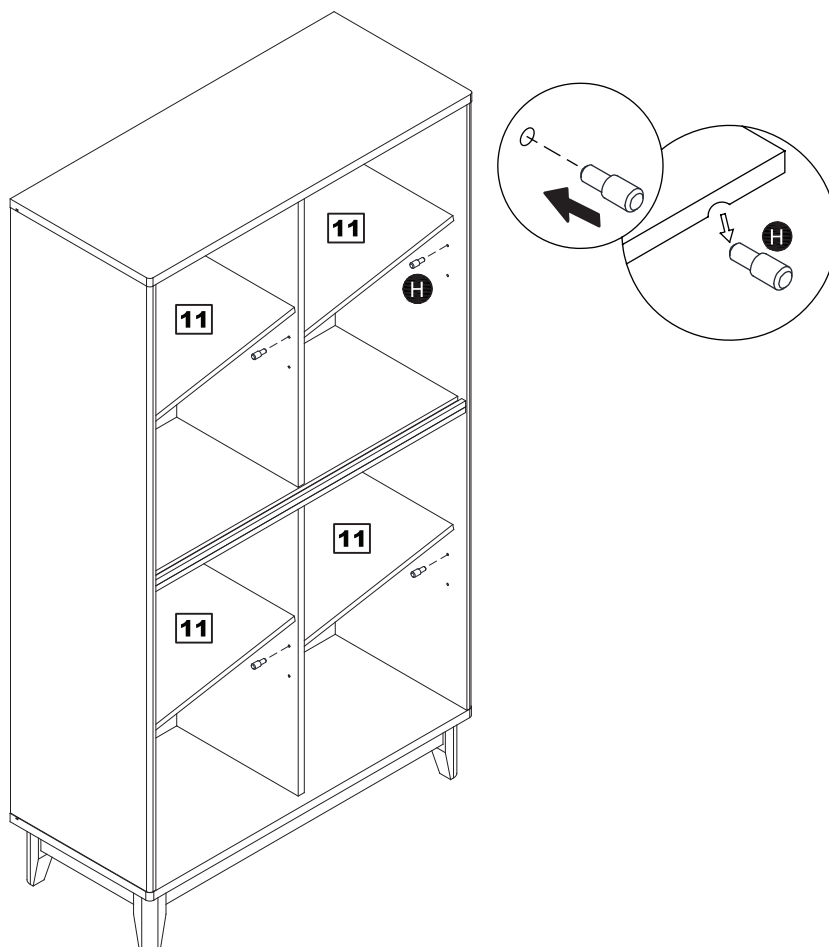


Assembly Instructions

Step 11

Assembling removable shelves

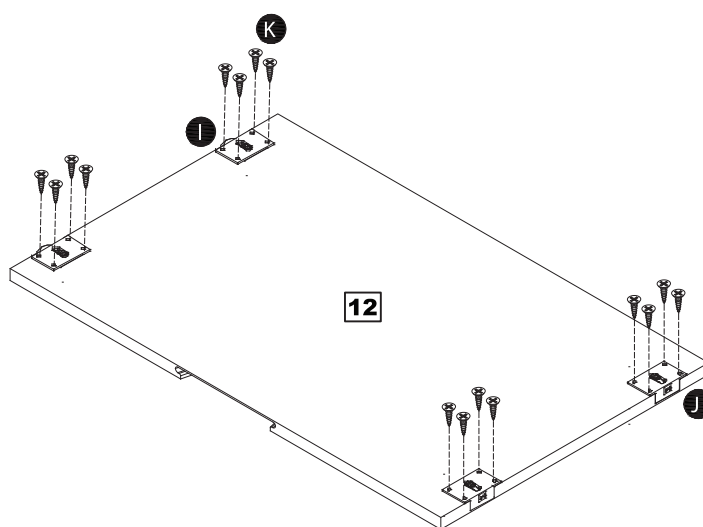
Plug in all shelf pins **H**
place removable shelves **11** on shelf pin **H** as shown



Step 12

Preparing sliding door

Fix sliding door roller **I**
and sliding door pin **J**
on the door panel **12**
with small wood screws **K**

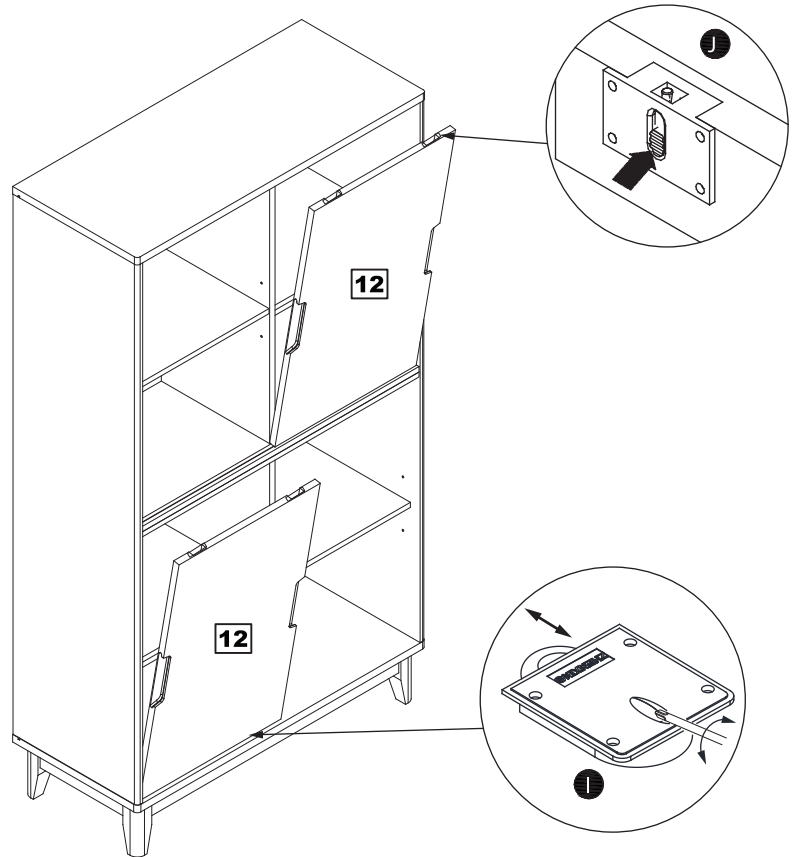


Assembly Instructions

Step 13

Assembling door

Put roller **I** into bottom plastic groove, make pins **J** aim at top groove then push bottom to stick out pins **J** to lock doors



Step 14

Fixing to wall

It is recommended that the display unit is fixed to the wall to ensure stability.

Assemble wall straps **M** to the back of top panel **9** using screws **N**.

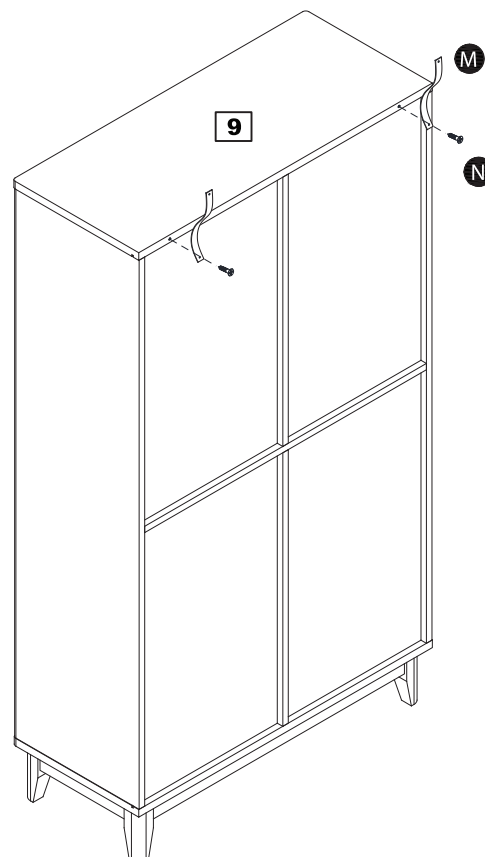
With help, move the unit to the desired location.

Mark the fixing hole locations on the wall and remove the unit.

Drill the wall and fit suitable plugs for your wall type.

Note: Wall plugs are not supplied.

Warning: Before drilling. Check the wall for hidden pipes or cables. Re-position the unit and secure the wall straps to the wall.

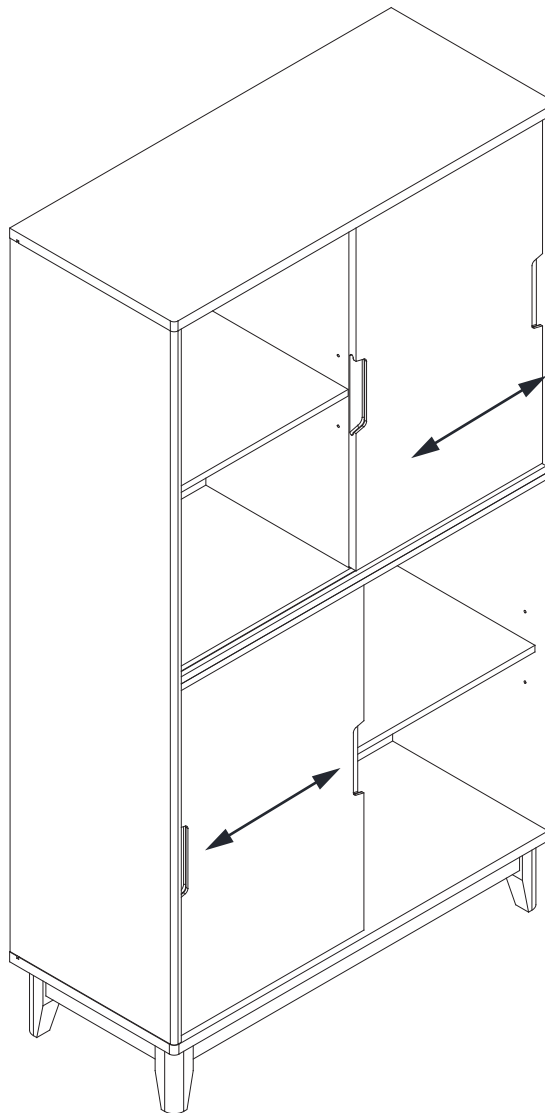


Assembly Instructions

Step 15

Preparing sliding door

Slide doors to make sure it goes smoothly



If you need help or have damaged or missing parts, call the **Customer Helpline: 0345 6400 800**
Home Retail Group, 489-499 Avebury Boulevard, Saxon Gate West, Central Milton Keynes, MK9 2NW