

ORECK[®]

Powerful, Lightweight Upright Vacuum

User's
Guide



ORECK[®]
ODOR • FIGHTING
HEPA
INNER • BAG

Important!

Read all instructions carefully, and keep for future reference.

Safety

General Warnings



IMPORTANT SAFETY INSTRUCTIONS!

When using an electrical appliance, basic precautions should always be followed, including the following:
READ ALL INSTRUCTIONS BEFORE USING THIS VACUUM CLEANER.

WARNING: To reduce the risk of fire, electric shock, or injury:

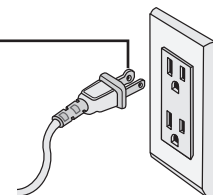
- Do not leave appliance unattended when plugged in. Unplug from outlet when not in use and before servicing.
- Do not use outdoors or on wet surfaces.
- Do not operate the unit while in the upright and locked position.
- Do not let the unit run while in any one stationary position for any period of time. Keep the unit moving while in operation.
- Do not allow to be used as a toy. Close attention is necessary when used by or near children.
- Use only as described in this manual. Use only manufacturer's recommended attachments.
- Do not use with damaged cord or plug. If appliance is not working as it should, has been dropped, damaged, left outdoors, or dropped into water, return it to a service center or call customer service at:
 US: 1-800-989-3535 Canada: 1-888-676-7325
- Do not pull or carry by cord, use cord as a handle, close door on cord, or pull cord around sharp edges or corners.
- Keep cord away from heated surfaces.
- Do not run appliance over cord.
- Do not unplug by pulling on cord. To unplug, grasp the plug, not the cord.
- Do not handle plug or appliance with wet hands.
- Do not put any object into openings. Do not use with any opening blocked; keep free of dust, lint, hair and anything that may reduce air flow.
- Keep hair, loose clothing, fingers and all parts of body away from openings and moving parts.
- Do not use to pick up anything that is burning or smoking, such as cigarettes, matches, or hot ashes.
- Do not use without Odor Fighting HEPA inner bag assembly in place.
- Turn off all controls before unplugging.
- Use extra care when cleaning on stairs.
- Do not use to pick up flammable or combustible liquids, such as gasoline or lighter fluid, or use in areas where they may be present.
- Do not use appliance in an enclosed space where flammable, explosive or toxic vapors are given off by oil base paint, paint thinner, some mothproofing substances, or in an area where flammable dust is present.
- Do not pick up toxic material such as chlorine bleach, drain cleaner, gasoline, etc. with this appliance.
- Use caution when vacuuming over area rug edges and fringe.
- Product contains chemicals known to the State of California to cause cancer and birth defects.

SAVE THESE INSTRUCTIONS

Household Use Only

A polarized plug has one rounded prong and one straight prong.
 The rounded end goes into the longest socket slot.

To reduce the risk of electric shock, this equipment has a polarized plug (one blade is wider than the other). This plug will fit in a polarized outlet only one way. If the plug does not fit fully in the outlet, reverse the plug. If it still does not fit, contact qualified personnel to install the proper outlet. Do not alter the plug in any way.



Contents



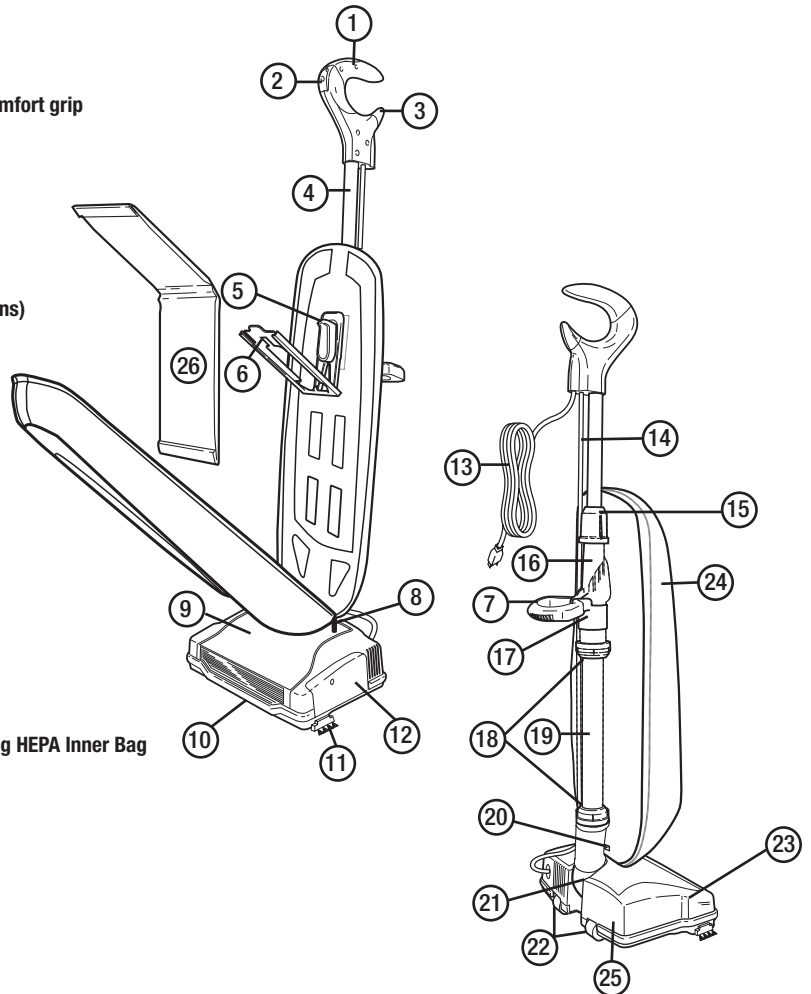
Safety	2
General Warnings	2
Operation	3
Parts List	3
Assembling the Handle Tube	4
Operating the Vacuum	4
Storage.....	4
Operating Instructions	4
General Information	5
Odor Fighting HEPA Inner Bags	5
360° Glide System	5
The Belt	5
Lubrication	5
Maintenance	6
Replacing Disposable Odor Fighting HEPA Inner Bag	6
Replacing Worn Belt	6
Replacing Brushroll	6
Replacing Edge Brush	7
Replacing the LED Light	7
Stuffing or Blockage	7
Troubleshooting	8
Parts	8
Replacement Parts	8

Operation.

To assist you in identifying your vacuum's components, the parts have been numbered as follows.

Parts List

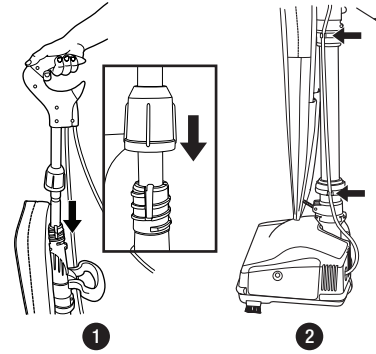
- 1 Vacuum Handle with comfort grip
- 2 On/Off Switch
- 3 Cord Dump
- 4 Handle Tube
- 5 Deflector
- 6 Bag Dock
- 7 Carry Handle
- 8 Zipper
- 9 Fascia (includes light lens)
- 10 Main Bumper
- 11 Edge Brush
- 12 Belt Door
- 13 Power Cord
- 14 Cord Assembly
- 15 Handle Collar
- 16 Deflector (rear view)
- 17 Carry Handle Clamp
- 18 Collars
- 19 Lower Tube
- 20 Elastic Bag Strap
- 21 Fan Housing
- 22 Rear Wheels
- 23 Cover
- 24 Outer Bag
- 25 Power Head
- 26 Disposable Odor Fighting HEPA Inner Bag



Operation

Assembling the Handle Tube

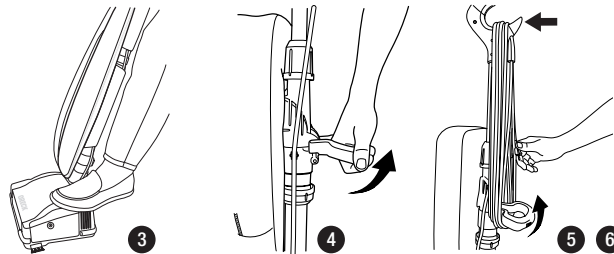
- 1 Align slot in handle tube with tab in connector. Insert the handle tube into connector. Tighten collar at base of handle tube onto the connector until it locks, "snaps".
- 2 Snap cord assembly into the cord clip located on the left side of the collar. Leave excess cord at the power head to allow movement.



Operating the vacuum

Make sure the Disposable Odor Fighting HEPA Inner bag is in place. **DO NOT** operate the cleaner without a HEPA Inner bag. Plug the power cord into an electrical outlet and press the **On Low (I) - On High (II) - OFF (O)** switch on handle assembly when ready to operate.

- 3 **Up-Position Lock** - Place foot on power head and lean handle back gently to release lock for vacuum use. Return handle to the full upright position to engage lock. The handle should be rotated to center before returning to upright position. Note: Do not operate the unit while in the upright and locked position. Do not let the unit run while in any one stationary position for any period of time. Keep the unit moving while in operation.
- 4 **Carry Handle** - Raise the carry handle located on back of the unit for easy lifting, carrying, and stair vacuuming. Lower the handle during use to eliminate obstruction.
- 5 **Easy Power Cord Storage** - Raise carrying handle and wrap power cord around carry handle and vacuum handle.
- 6 To release cord, twist cord dump located on vacuum handle 1/2 turn. Slide cord off handle.



Storage

Both the vacuum handle and carry handle can be used for convenient, space saving storage of cleaner. Hang cleaner by carry handle on a sturdy fastener or vacuum handle on a closet rod.

Operating Instructions

This new ORECK Upright is one of the finest, fastest, and strongest units in its class. You'll love the way it cleans, gets under things, and it's SO lightweight and easy to use.

The following are a few simple suggestions regarding its operation:

1. When inserting a new disposable HEPA inner bag -FIRST PUFF OUT and OPEN THE BAG.
2. When the disposable HEPA inner bag is full, REPLACE IT.
3. If at any time the machine does not pick up properly or makes an unusual noise, STOP OPERATION and service.
4. Although your upright will pick up pins, paper clips, and other small objects, it is recommended that these be removed from the floor before you vacuum. Failure to do so may result in permanent damage to the motor suction fan and its housing.
5. **WARNING:** Do not use your vacuum cleaner on damp or wet surfaces. This will cause damage to the vacuum cleaner and is dangerous to the user. Damage caused by use on wet or damp surfaces is not covered under warranty.
6. For optimal performance, replace the belt every 6 months.
7. Check the disposable Odor Fighting HEPA Inner bag at least once a month.
8. **DO NOT** run the vacuum cleaner over the cord. The revolving brush could damage the cord.
9. Use caution when vacuuming over area rug edges and fringe.

General Information

The performance of your new cleaner greatly depends upon care and maintenance. The instructions in this manual will guide you in performing basic care and maintenance. To obtain the most satisfying years of service read the instructions and keep them handy for future reference.

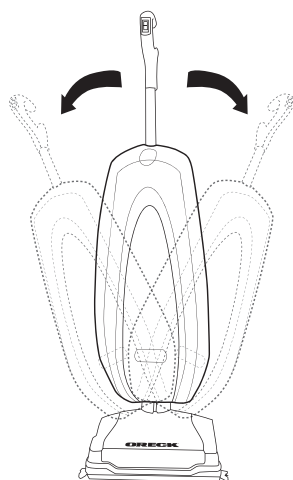
Odor Fighting HEPA Inner Bags

Your Oreck includes an Odor Fighting HEPA Inner Bag. The disposable inner bag plays a very important role in the efficiency of your ORECK vacuum. The purpose of the disposable inner bag is to trap dirt, but at the same time it must be porous enough to allow air to pass through. If the disposable inner bag becomes clogged, no air can pass through the vacuum and cleaning cannot take place, regardless of the vacuum's power.

To keep your Upright vacuum operating at maximum efficiency, change the disposable inner bag frequently.

DO NOT FILL ABOVE THE LINE INDICATED ON THE DISPOSABLE INNER BAG.

Be sure the disposable inner bag is installed properly. **Note:** All disposable inner bags are not the same. Oreck offers HEPA and non-HEPA inner bags. Your Oreck HEPA or non-HEPA inner bags have been designed to be used with the ORECK Upright vacuum. Using bags other than genuine Oreck HEPA or non-HEPA disposable inner bags will affect the cleaning ability of your vacuum and could cause damage to it.



360° Glide

Your new Oreck Upright features the 360° Glide turning system. The 360° Glide offers an entirely new level of maneuverability to your lightweight Oreck Upright. No installation necessary. Simply turn the handle of your Oreck Upright to maneuver the unit. Go left, Go right, make sharp turns under and around furniture.

The Belt

The belt on your vacuum cleaner controls the speed of the revolving brush and is very important for the effective operation of the cleaner. If the belt becomes stretched or cut, it will cause the revolving brush to stop completely or slow down. See instructions in the manual for replacing belt.

Lubrication

The vacuum cleaner motor bearings are factory lubricated and sealed. Further lubrication is not required.

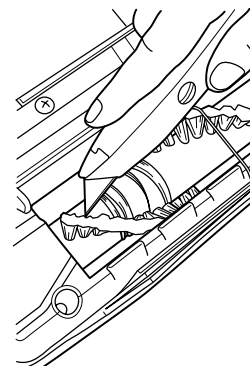
CAUTION

Wood Floors, Soft (Vinyl, Asphalt Tile, etc.) Floor Surfaces and Polished Floor Finishes

Use floor and floor finish manufacturer's recommended methods of cleaning. The roller brush may also scuff very soft finishes. Do not operate the unit while in the upright and locked position. Do not let the unit run while in any one stationary position for any period of time. Keep the unit moving while in operation.

Note: At least once a month, check for and remove excessive lint, string or hair from revolving brush. Patented cleaning grooves on brush roll will allow easier cleaning. Wipe the outside of the cleaner with a damp cloth. Also clean the connector deflector assembly area, base of cleaner and fan housing area. If there is dust in the outer bag, vacuum it or shake it out.

A little preventative maintenance will keep your cleaner looking new and will ensure continued cleaning effectiveness.



Maintenance

Replacing Disposable Odor Fighting HEPA Inner Bag

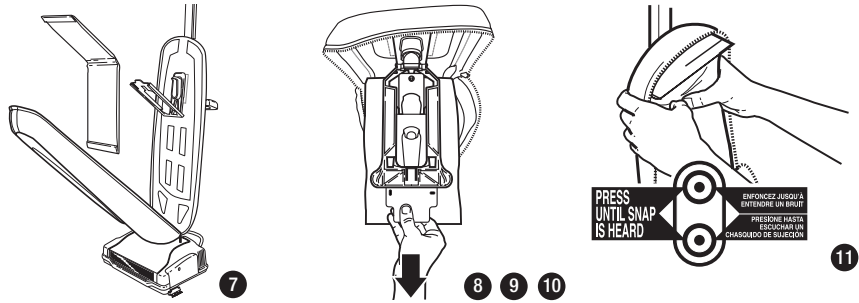
⚠ WARNING: Unplug cord from electrical outlet before servicing.

BAG REMOVAL:

- 7 Unzip outer bag completely.
- 8 Pull bag cardboard collar to release bag dock door from connector. Bag dock door will hinge downward.
- 9 Gently pull bag cardboard collar upward out of the bag dock. Saniseal® dust seal will close automatically.

BAG INSTALLATION:

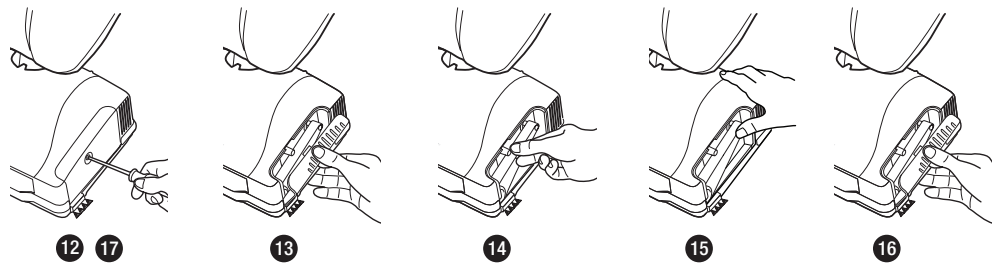
- 10 Slide the cardboard collar completely onto bag dock door.
- 11 Firmly push bag dock door with both thumbs on indication point until it snaps.



Replacing Worn Belt

⚠ WARNING: Unplug cord from electrical outlet before servicing.

- 12 Remove the door by removing the hold down screw located on side of power head.
- 13 Fold door away from the power head and lift it away.
- 14 Remove the belt from the motor drive shaft and brush roll pulley.
- 15 Loop the new belt over the brush roll pulley. Place the opposite end of the belt on the motor drive shaft.
- 16 Replace the door by placing the bottom tab on door into slots located inside power head and pressing the door closed.
- 17 Replace the hold down screw and tighten.

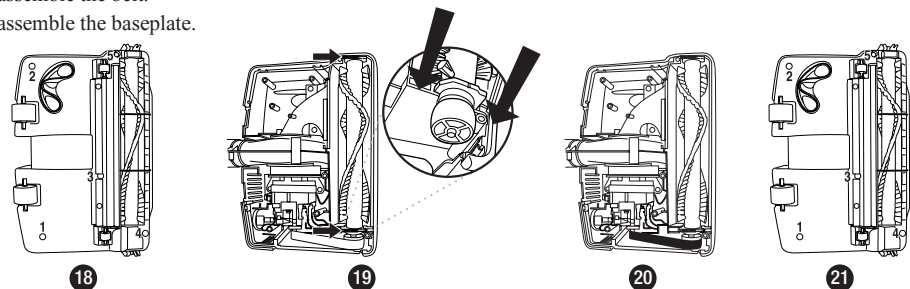


Replacing Brushroll

⚠ WARNING: Unplug cord from electrical outlet before servicing.

Your Oreck Vacuum has a brushroll that can be replaced after heavy use for improved performance.

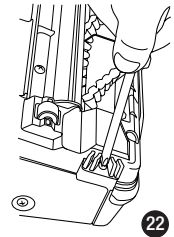
- 18 Remove the baseplate by removing 5 screws. Then, remove the belt and brushroll from the housing.
- 19 Snap the new brushroll into place.
- 20 Reassemble the belt.
- 21 Reassemble the baseplate.



Replacing Edge Brush

⚠ WARNING: Unplug cord from electrical outlet before servicing.

- 22 Turn the power head over. With baseplate facing up, remove the screw located in the center of each edge brush. Remove both edge brushes and replace with new ones. Replace both screws and tighten.



Replacing the LED Light

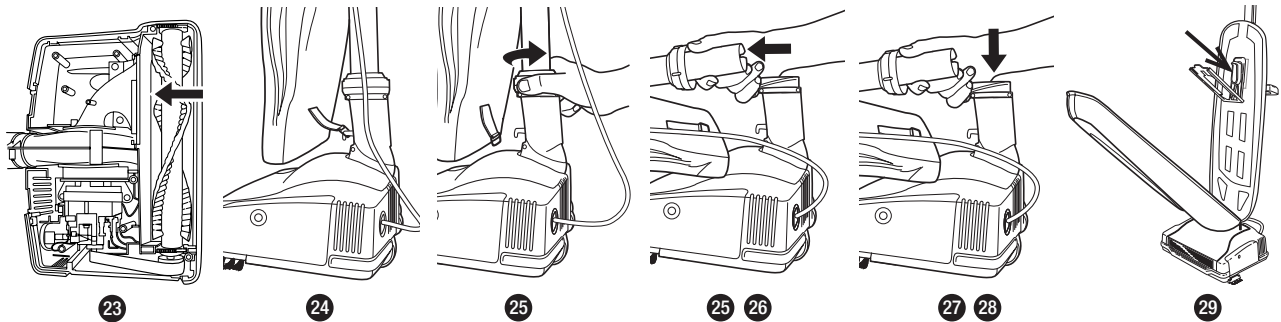
The light assembly should be replaced by an Oreck authorized service center whenever it fails to light during operation.

Stuffing or Blockage

IMPORTANT: On plush and new carpets, stuffing may occur inside the intake tube and the lower tube assembly. This is due to excessive fuzz and loose cuttings in the carpet. Stuffing could occur for the first few cleanings until all the loose material is removed. Due to the high efficiency of the cleaner, many older carpets will cause stuffing when the cleaner is first used on them. If your vacuum cleaner does not pick up properly, or makes unusual noise and the outer bag does not fluff up or balloon open, follow these steps:

⚠ WARNING: Unplug cord from electrical outlet before servicing.

- 23 Check for blockage at the mouth of the intake opening. If there is blockage, remove it with long-nose pliers, a screwdriver or coat hanger. If you can not reach the blockage, remove baseplate. Remove the base plate by removing 5 screws (see “Replacing Brushroll”).
- 24 If the blockage is not at the base, remove lower tube. Unhook bag spring, releasing bottom of bag.
- 25 Twist lower collar counterclockwise to slide up. Pull tube out of base. Check for blockage. If blockage is in the tube, remove with a coat hanger.
- 26 If tube is not blocked, look into fan housing. Remove debris with long-nose pliers, a screwdriver or coat hanger.
- 27 To reassemble, check O-ring on tube, and replace if damaged. Replace tube by first lining up slot at base of tube with tab inside fan housing.
- 28 Insert tube and push down until the tube is seated. Make sure O-ring is in place against fan housing opening. Replace and tighten collar until collar locking tabs are locked in place. Reattach bag spring.
- 29 Many times blockage occurs due to a full HEPA Inner bag causing dirt to back down the air flow system. When that happens, the blockage will be at the top of the system, starting in the area where the HEPA Inner bag connects to the connector assembly. Note: If the above actions do not correct the problem, contact an Oreck authorized service center or call the customer service center. US: 1-800-989-3535 Canada: 1-888-676-7325



Trouble-shooting

Service problems that appear to be major can often be solved easily. You can be your own troubleshooter by reviewing this guide.

All other servicing should be done by an Oreck authorized service center.

Problem	Check	What to do
Cleaner will not run.	<ul style="list-style-type: none"> • Not plugged in properly. • No electricity in wall outlet. 	<ul style="list-style-type: none"> • Be sure cleaner is firmly plugged into wall outlet. • Check electrical source – fuse or circuit breaker.
Cleaner does not pick up.	<ul style="list-style-type: none"> • Filter Bag is full. • Nozzle or intake pivot clogged. • Belt is broken or stretched. • Brush is worn. • Bag tube clogged. • Bag pores are clogged with fine dust. • Impeller fan is broken 	<ul style="list-style-type: none"> • Replace filter bag. See “Replacing Disposable Odor Fighting HEPA Inner Bag”. • Clear obstruction. • Replace belt. • See “Replacing Brushroll”. • Clear obstruction. • Change bag. • Return to Service Center for repair.
Unit still does not operate properly.	<ul style="list-style-type: none"> • Check all the above points. 	<ul style="list-style-type: none"> • Contact Oreck for service.

Parts

All replacement parts are sold separately. To order, call our customer service group or visit our website. Please have your model number from the data label on the bottom of the unit.

Replacement Parts

Item	
Belts, 3 Pack	0300604
Odor Fighting HEPA Inner Bag, 8 Pack	CCPK80H

Customer Service Hotline

USA: 1-800-989-3535 Canada: 1-888-676-7325

website: www.oreck.com

ORECK[®] XL[®]

Aspirateur-balai puissant
et léger

Guide
d'utilisation



ORECK[®]
ODOR • FIGHTING
HEPA
INNER • BAG

Important !

Lire attentivement ce manuel et le conserver comme référence ultérieure.

Sécurité

Mises en garde générales



INSTRUCTIONS DE SÉCURITÉ IMPORTANTES !

Pendant l'utilisation d'un appareil électrique, des précautions élémentaires doivent toujours être prises.

LISEZ TOUTES LES INSTRUCTIONS AVANT D'UTILISER L'ASPIRATEUR

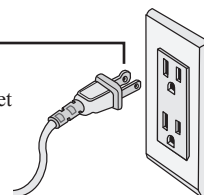
AVERTISSEMENT ! Pour réduire le risque de départ d'incendie, commotion électrique ou blessure :

- Ne laissez pas un appareil branché sans surveillance, débranchez-le de la prise quand il n'est pas utilisé ou avant d'intervenir dessus.
- Ne l'utilisez pas dehors ou sur des surfaces mouillées.
- Ne le faites pas fonctionner en position droite et verrouillée.
- Ne le faites pas fonctionner en position stationnaire pendant une durée prolongée, utilisez-le en le déplaçant.
- Ce n'est pas un jouet, une attention particulière doit être portée en utilisation par ou près des enfants.
- Ne l'utilisez que comme décrit dans ce manuel, ne le faites fonctionner qu'avec des accessoires recommandés par son constructeur.
- Ne l'utilisez pas avec un cordon ou une prise endommagés. S'il ne fonctionne pas bien, est tombé, a été endommagé, laissé dehors ou a été plongé dans l'eau, amenez-le au centre de réparation ou appelez le service à la clientèle, USA : 1-800-989-3535 ; Canada : 1-888-676-7325.
- Ne le tirez ou portez pas par son cordon en s'en servant de poignée, ne refermez pas de porte dessus et ne le faites pas passer sur des angles ou coins tranchants.
- Gardez le cordon à l'écart des surfaces chaudes.
- Ne passez pas l'appareil sur son cordon.
- Ne débranchez l'appareil pas en tirant sur le cordon, faites-le en prenant et retirant sa fiche.
- Ne manipulez pas l'appareil ou son cordon d'alimentation avec des mains mouillées.
- N'introduisez aucun objet par les ouvertures. N'utilisez pas l'appareil avec des ouvertures obstruées, maintenez-les sans poussière, peluche, cheveux ou d'autres matières pouvant réduire l'écoulement d'air.
- Gardez cheveux, vêtements lâches, doigts et autres parties du corps, à l'écart des ouvertures et pièces mobiles.
- N'aspirez rien qui brûle ou fume, comme des cigarettes, allumettes ou cendres encore chaudes.
- N'utilisez pas l'appareil sans que son sac de filtrage ne soit en place.
- À ne pas utiliser sans que l'ensemble de sac intérieur HEPA inhibiteurs d'odeurs soit en place.
- Arrêtez l'appareil par ses commandes avant de le débrancher du secteur.
- Faites particulièrement attention quand vous aspirez dans des escaliers.
- N'aspirez pas de liquides inflammables ou combustibles tels qu'essence ou fluides plus légers, et n'utilisez pas l'appareil aux endroits où ils seraient présents.
- N'aspirez pas en espace confiné où des vapeurs inflammables, explosives ou toxiques seraient dégagées par de la peinture à l'huile, du diluant à peinture, des substances antimites, où s'il y a des poussières inflammables.
- N'aspirez pas de matières toxiques comme agent blanchissant chloré, nettoyant pour drainages, essence, etc.
- Aspirez avec précautions en passant sur les lisières et franges de tapis.
- Le produit contient des composants chimiques reconnus par l'État de la Californie comme causant des cancers, des anomalies congénitales ou d'autres atteintes à la reproduction.

CONSERVEZ CES INSTRUCTIONS

Utilisation domestique uniquement

Une fiche d'alimentation polarisée comporte une terminaison de forme ronde et une autre en lame droite. La ronde doit entrer dans la plus longue fente de la prise secteur. Pour réduire le risque de commotion électrique, cet équipement a une fiche d'alimentation polarisée (ayant une lame plus large que l'autre). Si vous n'arrivez pas à insérer complètement la fiche dans la prise secteur, essayez en retournant la fiche. Si vous n'y arrivez toujours pas, contactez un électricien pour qu'il remplace la prise non conforme. N'altérez la fiche d'aucune manière.



Contenu



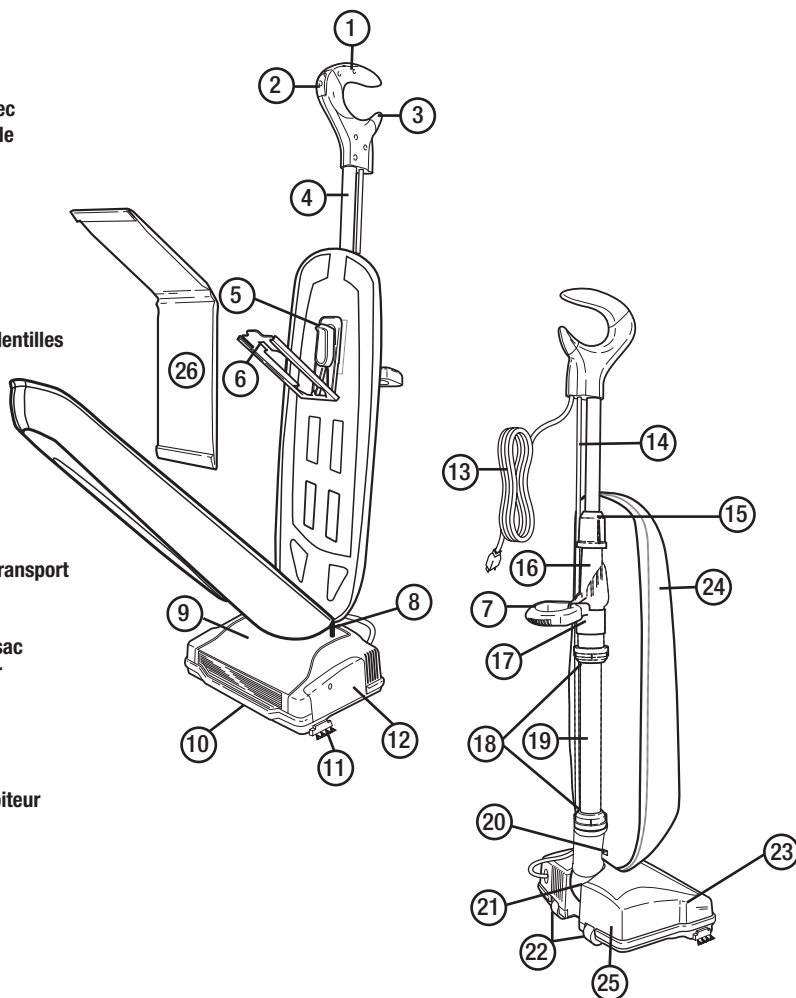
Sécurité	10
Mise en garde générales	10
Fonctionnement	11
Liste de pièces	12
Montage du tube de manche	12
Utilisation de l'aspirateur	12
Entreposage	12
Recommandations d'utilisation	12
Informations générales	13
Sacs intérieurs HEPA inhibiteurs d'odeurs	13
Système de pivotement sur 360°	13
Courroie	13
Lubrification	13
Entretien	14
Remplacement du sac intérieur HEPA inhibiteur d'odeurs jetable.....	14
Remplacement de courroie usée	14
Remplacement du rouleau à brosse	14
Remplacement des brosses à bordures	15
Remplacement de l'éclairage à DEL	15
Bourrage ou blocage	15
Dépannage	16
Pièces	16
Pièces de rechange	16

Fonctionnement

Pour vous aider à identifier les composants de votre aspirateur, les pièces ont été répertoriées ci-contre :

Liste de pièces

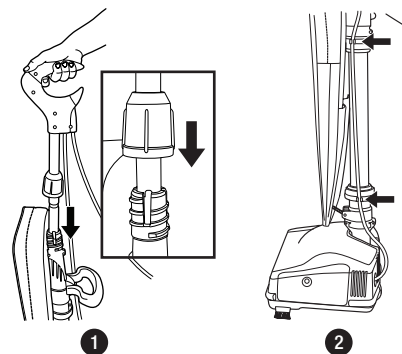
- 1 Manche d'aspiration avec prise en main confortable
- 2 Commutateur M/A
- 3 Libération de cordon
- 4 Tube de manche
- 5 Déflecteur
- 6 Ancre de sac
- 7 Poignée de transport
- 8 Fermeture éclair
- 9 Carénage (incluant des lentilles d'éclairage)
- 10 Butoir principal
- 11 Brosse à bordure
- 12 Trappe de courroie
- 13 Cordon d'alimentation
- 14 Ensemble de cordon
- 15 Collier de manche
- 16 Déflecteur (vue arrière)
- 17 Attache de poignée de transport
- 18 Colliers
- 19 Tube inférieur
- 20 Attache élastique pour sac
- 21 Logement de ventilateur
- 22 Roues arrière
- 23 Couvercle
- 24 Sac externe
- 25 Tête motorisée
- 26 Sac intérieur HEPA inhibiteur d'odeurs jetable



Fonctionnement

Montage du tube de manche

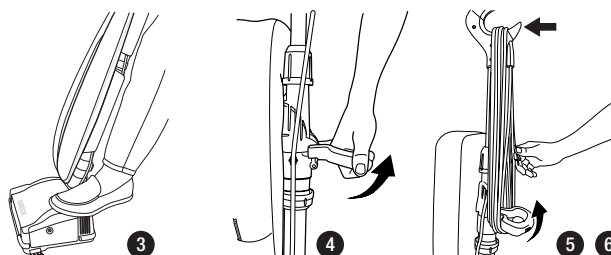
- 1 Ouvrez les couvercles de sac extérieur en soulevant le côté avec Velcro® du panneau. Alignez la fente dans le tube de manche avec la patte dans le connecteur. Insérez le tube de manche dans le connecteur. Serrez le collier à la base du tube de manche sur le connecteur jusqu'à l'enclenchement de verrouillage.
- 2 Enfoncez l'ensemble de cordon dans l'attache de cordon située sur le côté gauche du collier. Laissez du mou au cordon à la tête motorisée afin de permettre son mouvement. Positionnez l'ensemble de cordon le long du tube entre l'arrière du sac extérieur et ses couvertures.



Utilisation de l'aspirateur

Assurez-vous que le sac intérieur HEPA inhibiteur d'odeurs est en place. NE faites PAS fonctionner l'aspirateur sans un sac intérieur HEPA. Branchez la fiche du cordon d'alimentation dans une prise secteur et appuyez sur l'interrupteur Marche lente (1) – Marche rapide (II) - Arrêt (O) de l'ensemble de poignée quand vous êtes prêt(e) à commencer.

- 3 **Verrouillage en position levée** - Placez le pied sur la tête motorisée et penchez doucement le manche en arrière pour libérer le verrouillage en utilisation d'aspiration. Ramenez le manche en position complètement droite pour le verrouiller. Le manche doit être tourné vers le centre avant de revenir en position droite. Remarque : Ne faites pas fonctionner l'unité quand elle est en position droite et verrouillée. Ne le faites pas fonctionner en position stationnaire pendant une durée prolongée, utilisez-le en le déplaçant.
- 4 **Poignée de transport** - Levez la poignée de transport située sur l'arrière de l'unité pour la soulever facilement, la transporter, ou pour aspirer des escaliers. Rabaissez cette poignée en utilisation normale pour qu'elle ne gêne pas.
- 5 **Rangement aisé du cordon secteur** - Levez la poignée de transport et enrroulez le cordon d'alimentation autour de la poignée de transport et du manche d'aspiration.
- 6 Pour libérer le cordon, pivotez d'un demi-tour l'abaisseur de cordon du manche d'aspiration. Glissez le cordon hors du manche.



Entreposage

Vous pouvez utiliser le manche d'aspiration ou la poignée de transport pour un rangement commode économisant de la place. Suspendez l'aspirateur par sa poignée de transport sur un support solide, ou le manche d'aspiration sur une barre de penderie.

Instructions d'utilisation

Ce nouvel aspirateur-balai ORECK est l'un des meilleurs produits de sa catégorie, à la fois plus rapide et plus robuste. Vous apprécierez sa façon de nettoyer, de passer sous les meubles, et il est si léger et facile à manier.

Voici quelques suggestions simples concernant son utilisation :

1. Au moment de l'insertion d'un sac intérieur jetable neuf – GONFLEZ D'ABORD LE SAC et OUVREZ-LE.
2. Quand le sac intérieur HEPA jetable est plein, REMPLACEZ-LE.
3. Si à un moment quelconque l'appareil n'aspire pas bien ou fait un bruit inhabituel, STOPPEZ L'UTILISATION et réglez le problème.
4. Même si votre aspirateur-balai peut avaler des épingles, des trombones ou d'autres petits objets, il est recommandé qu'ils soient enlevés du sol avant l'aspiration. Sinon vous risquez d'endommager de façon permanente le ventilateur d'aspiration à moteur et son logement.
5. AVERTISSEMENT : N'utilisez pas votre aspirateur sur une surface humide ou mouillée. Cela l'endommagerait et serait dangereux pour l'utilisateur. Des dommages causés dans ces conditions d'utilisation ne sont pas couverts par la garantie.
6. Pour une performance optimale, remplacez la courroie tous les six mois.
7. Vérifiez le remplissage du sac intérieur jetable HEPA inhibiteur d'odeurs au moins une fois par mois.
8. NE passez PAS l'aspirateur sur son propre cordon. Sa brosse tournante pourrait endommager le cordon.
9. Aspirez avec précautions en passant sur les lisières et franges de tapis.

Informations générales

La performance de votre nouvel aspirateur dépend du soin mis à l'utiliser et de son entretien. Les instructions dans ce manuel vous guideront pour effectuer les actions essentielles. Pour bénéficier d'un maximum d'années de service satisfaisantes, lisez ces instructions et gardez-les sous la main comme référence ultérieure.

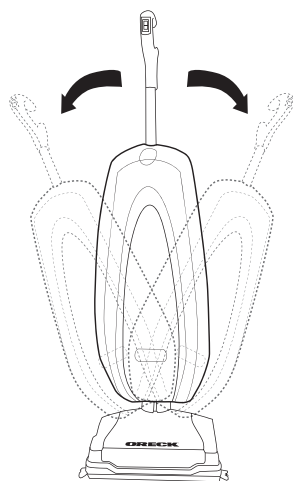
Sacs intérieurs HEPA inhibiteurs d'odeurs

Votre appareil Oreck inclut un sac intérieur HEPA inhibiteur d'odeurs. Ce sac intérieur jetable joue un rôle très important dans l'efficacité de votre aspirateur Oreck. Sa fonction est de capturer la saleté, mais en même temps il doit rester poreux suffisamment pour laisser passer l'air au travers. Si le sac intérieur jetable devient obstrué, il n'y a plus d'air qui peut passer au travers de l'aspirateur, et il n'y a plus de nettoyage possible, peu importe sa puissance.

Pour maintenir votre aspirateur vertical au mieux de son efficacité, changez son sac intérieur jetable fréquemment.

NE REMPLISSEZ PAS AU-DESSUS DE LA LIGNE INDIQUÉE SUR LE SAC INTÉRIEUR JETABLE.

Assurez-vous que le sac intérieur jetable est en correctement installé. **Remarque :** Tous les sacs intérieurs jetables ne sont pas les mêmes. Oreck propose des sacs intérieurs HEPA ou non-HEPA. Vos sacs intérieurs Oreck, HEPA ou non, ont été conçus pour être utilisés avec l'aspirateur vertical Oreck. L'utilisation de sacs autres que des sacs intérieurs jetables Oreck, HEPA ou non, affecterait la capacité de nettoyage de votre aspirateur et pourrait même l'endommager.



Système de pivotement sur 360°

Votre nouvel aspirateur-balai Oreck comporte un système de pivotement sur 360°. Cela permet un tout nouveau niveau de maniabilité pour votre appareil léger. Il n'y a pas d'installation nécessaire. Tournez simplement le manche de votre aspirateur-balai Oreck pour le manœuvrer. Vous pouvez l'envoyer à gauche, à droite, passer faire des virages serrés sous et autour des meubles.

Courroie

La courroie sur votre aspirateur contrôle la vitesse de la brosse tournante et joue un rôle très important dans son fonctionnement. Si elle devient effilochée ou coupée, cela entraîne un ralentissement ou un arrêt complet de la brosse tournante. Reportez-vous aux instructions de ce manuel pour remplacer la courroie.

Les paliers du moteur de l'aspirateur sont lubrifiés et scellés en usine, aucune lubrification ultérieure n'est nécessaire.

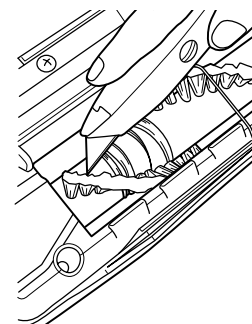
ATTENTION

Parquets, sols à surface tendre (vinyles, carreaux d'asphalte, etc.) et à finition polie

Utilisez les méthodes de nettoyage pour sols ou finitions de sol recommandées par le constructeur. Le rouleau-brosse peut érafler les finitions très tendres. Ne faites pas fonctionner l'unité quand elle est en position droite et verrouillée. Ne le faites pas fonctionner en position stationnaire pendant une durée prolongée, utilisez-le en le déplaçant.

Remarque : Une fois par mois au moins, vérifiez l'aspirateur pour éliminer l'excès de peluches ou cheveux sur la brosse tournante. Des rainures de nettoyage brevetées sur le rouleau-brosse facilitent cette opération. Passez juste un chiffon humide sur l'extérieur de l'aspirateur. Nettoyez également la zone de l'ensemble de déflecteur de connecteur, la base de l'aspirateur et la zone de logement de ventilateur. S'il y a de la poussière dans le sac externe, aspirez-la ou videz le sac en le secouant.

Un petit peu d'entretien préventif va conserver votre aspirateur avec l'aspect du neuf et assurera la poursuite de son efficacité en nettoyage.



Remplacement du sac intérieur HEPA inhibiteur d'odeurs jetable

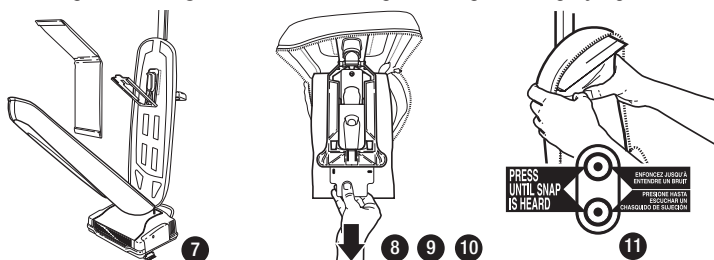
⚠ AVERTISSEMENT : Débranchez le cordon d'alimentation de la prise secteur avant de commencer.

SORTIE DU SAC :

- 7 Dégrafez complètement le sac externe.
- 8 Tirez le collier en carton du sac pour libérer la porte de l'ancrage de sac du connecteur, elle basculera vers le bas.
- 9 Sortez doucement vers le haut le collier en carton hors de la porte à sac. Le dispositif d'étanchéité à la poussière Saniseal® se refermera automatiquement.

INSTALLATION DU SAC :

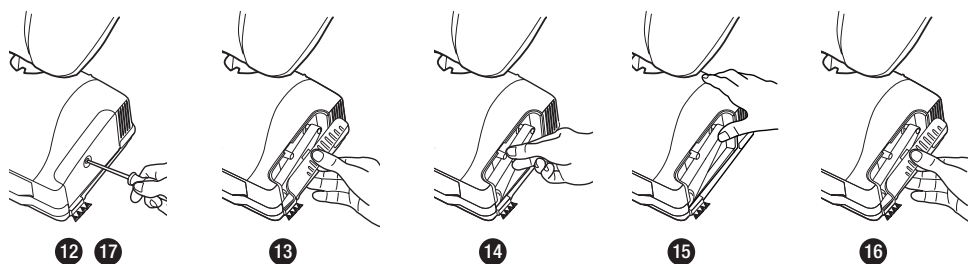
- 10 Glissez le collier en carton complètement dans la porte d'ancrage de sac.
- 11 Poussez fermement la porte d'ancrage de sac avec les deux pouces au point indiqué jusqu'à son enclenchement.



Remplacement de courroie usée

⚠ AVERTISSEMENT : Débranchez le cordon d'alimentation de la prise secteur avant de commencer.

- 12 Enlevez la porte en ôtant la vis de maintien située sur le côté de la tête motorisée.
- 13 Repliez la porte en l'écartant de la tête motorisée et levez-la.
- 14 Enlevez la courroie de l'arbre d'entraînement du moteur et de la poulie du rouleau-brosse.
- 15 Enroulez la courroie neuve autour de la poulie de rouleau-brosse. Placez son extrémité opposée sur l'arbre d'entraînement du moteur.
- 16 Remettez la porte en plaçant le taquet inférieur de la porte dans les fentes situées dans la tête motorisée et en pressant pour la refermer.
- 17 Remettez la vis de maintien et serrez-la.

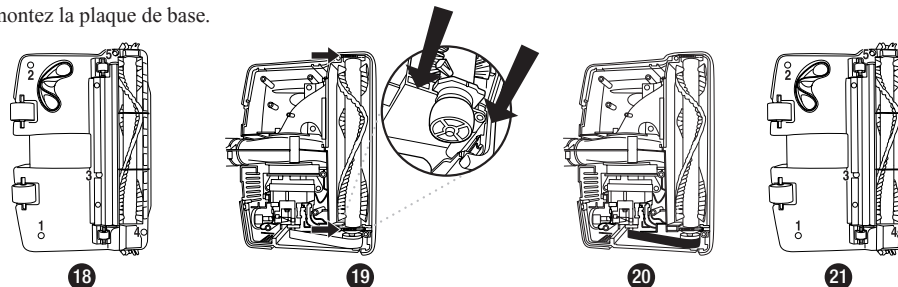


Remplacement du rouleau à brosse

⚠ AVERTISSEMENT : Débranchez le cordon d'alimentation de la prise secteur avant de commencer.

Votre aspirateur Oreck possède un rouleau à brosse pouvant être remplacé une fois usé pour de meilleurs résultats.

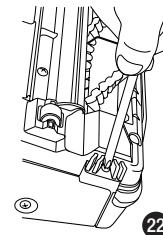
- 18 Enlevez la plaque de base en ôtant ses 5 vis. Puis sortez la courroie et le rouleau-brosse du logement.
- 19 Cliquez le nouveau rouleau à brosse dans son logement.
- 20 Remontez la courroie.
- 21 Remontez la plaque de base.



Remplacement des brosses à bordures

⚠ AVERTISSEMENT : Débranchez le cordon d'alimentation de la prise secteur avant de commencer.

- 22 Retournez la tête motorisée. Avec la plaque de base vers le haut, enlevez la vis située au centre de chaque brosse à bordures. Enlevez les deux vieilles brosses et remplacez-les par des neuves. Remettez les deux vis et serrez-les.



Remplacement de l'éclairage à DEL

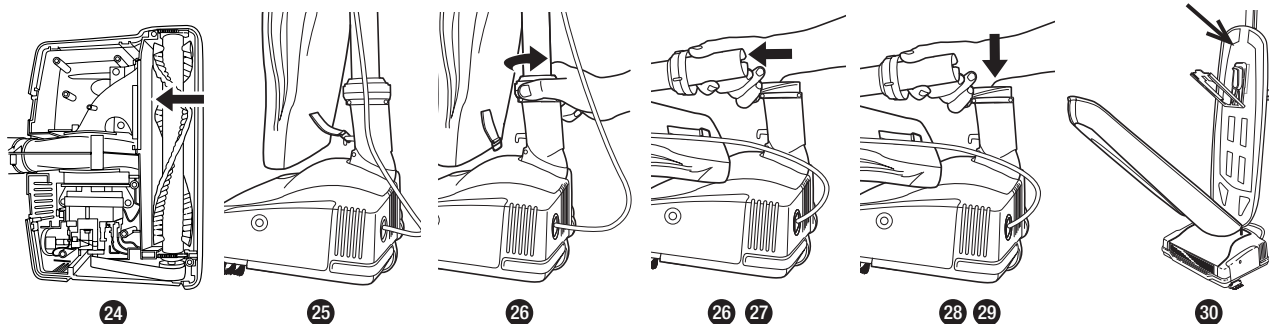
Cet ensemble d'éclairage ne peut être remplacé que par un centre de réparations agréé par Oreck s'il devenait défaillant durant le fonctionnement.

Bourrage ou blocage

IMPORTANT : Sur les moquettes peluchées ou neuves, il peut se produire un bourrage à l'intérieur l'ensemble du tube d'aspiration et du tube inférieur. Cela provient d'un excès de duvet de fibres et de débris libres dans la moquette. Ce bourrage peut se produire durant les quelques premiers nettoyages jusqu'à ce que toute la matière détachable soit éliminée. Du fait de la grande efficacité de l'aspirateur, beaucoup de moquettes plus anciennes peuvent aussi causer du bourrage quand il est appliqué dessus la première fois. Si votre aspirateur n'aspire pas correctement, ou fait un bruit inhabituel et que son sac externe ne se gonfle ou ne se ballonne pas, suivez ces étapes :

⚠ AVERTISSEMENT : Débranchez le cordon d'alimentation de la prise secteur avant de commencer.

- 23 Cherchez un éventuel blocage à l'entrée de l'aspiration. S'il y en avait un dégagez-le avec des pinces à bec long, un tournevis ou un cintre. Si vous ne pouvez pas atteindre ce blocage, démontez la plaque de base, en ôtant ses 5 vis (reportez-vous à la section "Remplacement du rouleau à brosse").
- 24 Si le blocage ne se situe pas dans la base, enlevez le tube inférieur. Décrochez l'attache élastique de sac, en libérant le bas du sac.
- 25 Tournez le collier inférieur en sens antihoraire pour le glisser vers le haut. Recherchez le blocage. S'il est dans ce tube, enlevez-le avec un cintre.
- 26 Si ce n'est pas ce tube qui est bloqué, regardez dans le logement de ventilateur. Enlevez les débris avec des pinces à long bec, un tournevis ou un cintre.
- 27 Au remontage, vérifiez le joint torique sur le tube et remplacez-le s'il est endommagé. Remontez le tube en alignant d'abord la fente à sa base avec la patte dans le carter de ventilateur.
- 28 Insérez le tube et enfoncez-le jusqu'à ce qu'il soit bien en place. Assurez-vous que le joint torique est bien positionné contre l'ouverture du carter de ventilateur. Serrez le collier jusqu'au verrouillage de ses taquets. Fixez de nouveau l'attache élastique de sac. Positionnez l'ensemble de cordon le long du tube entre l'arrière du sac extérieur et ses couvertures.
- 29 Très souvent les blocages viennent d'un sac intérieur HEPA plein, ce qui amène la saleté à être refoulée dans le système de circulation d'air. Quand cela se produit, le blocage sera en haut du système, en partant de la zone où le sac intérieur jetable HEPA se raccorde sur l'ensemble de connecteur. **Remarque :** Si les actions précédentes n'ont pas corrigé le problème, contactez un centre de réparation agréé Oreck, ou appelez le service à la clientèle. **USA : 1-800-989-3535 Canada : 1-888-676-7325**



Dépannage

Des problèmes de panne pouvant apparaître comme graves peuvent souvent être résolus facilement. Vous pouvez être votre propre dépanneur en passant ce guide en revue.

Toutes les autres interventions devront être effectuées par un centre de dépannages agréé par Oreck.

Problème	Vérification	Action à prendre
L'aspirateur ne se met pas en marche.	<ul style="list-style-type: none"> Mauvais branchement électrique. Pas de secteur sur la prise. 	<ul style="list-style-type: none"> Vérifiez que l'aspirateur est bien branché dans la prise. Vérifiez l'arrivée du secteur au niveau du fusible ou du disjoncteur en amont.
L'aspirateur n'aspire pas.	<ul style="list-style-type: none"> Sac à poussière plein. Bouchage d'aspiration à la buse ou au pivot d'aspiration. Courroie cassée ou distendue. Brosse usée. Tube de sac bouché. Pores du sac obstrués par de la poussière fine. Turbine de ventilateur cassée. 	<ul style="list-style-type: none"> Remplacez le sac de filtrage. Consultez "Remplacement du sac intérieur HEPA inhibiteur d'odeurs". Dégagez l'obstruction. Remplacez la courroie. Reportez-vous à la section "Remplacement du rouleau à brosse". Dégagez l'obstruction. Changez le sac. Renvoyez l'appareil à un centre de service pour le faire réparer.
L'unité ne fonctionne toujours pas correctement.	<ul style="list-style-type: none"> Revérifiez tous les points précédents. 	<ul style="list-style-type: none"> Contactez Oreck pour de l'assistance.

Pièces

Tous les pièces de rechange sont en vente séparément. Pour en commander, appelez le groupe de service à la clientèle ou allez sur notre site Web. Veuillez avoir avec vous la référence de modèle qui se trouve sur l'étiquette signalétique en bas de l'aspirateur.

Pièces de rechange

Description	Référence de pièce
Courroies en paquet de 3	0300604
Paquet de 8 sacs intérieurs HEPA inhibiteurs d'odeurs	CCPK80H

Contacts d'urgence du service à la clientèle

USA : 1-800-989-3535 Canada : 1-888-676-7325

Site Web : www.oreck.com

ORECK[®] XL[®]

Aspiradora vertical, liviana y poderosa

Guía del
usuario



ORECK[®]
ODOR • FIGHTING
HEPA
INNER • BAG

¡Importante!

Lea cuidadosamente todas las instrucciones, y guarde para futura consulta.

Seguridad

Advertencias generales



¡INSTRUCCIONES DE SEGURIDAD IMPORTANTES!

Al utilizar electrodomésticos, siempre deben seguirse precauciones básicas, incluyendo las siguientes:
LEA TODAS LAS INSTRUCCIONES ANTES DE UTILIZAR ESTA ASPIRADORA.

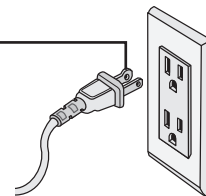
ADVERTENCIA: Para reducir el riesgo de incendio, descarga eléctrica, o lesiones físicas:

- No deje desatendido el electrodoméstico mientras está enchufado. Desconéctelo del tomacorriente cuando no está en uso y antes de realizarle mantenimiento.
- No la utilice en exteriores ni en superficies húmedas.
- No opere la unidad mientras está en la posición vertical asegurada.
- No permita que la unidad opere por ningún período de tiempo mientras está en una posición estacionaria. Mantenga en movimiento la unidad mientras está en funcionamiento.
- No permita que la utilicen como juguete. Se requiere de supervisión cuando es utilizada por niños o cerca de ellos.
- Utilice este producto sólo como se indica en este manual. Utilice sólo accesorios recomendados por el fabricante.
- No la utilice con cables ni enchufes dañados. Si el aparato no está funcionando como debería, si se ha caído, está dañado, se dejó en exteriores, o cayó al agua, devuélvalo a un centro de servicio o llame al departamento de servicio al cliente en el teléfono: EE.UU.: 1-800-989-3535 Canadá: 1-888-676-7325
- No la arrastre ni traslade mediante el cable, no utilice el cable como mango, no cierre la puerta sobre el cable, ni hale el cable alrededor de esquinas o bordes filosos.
- Mantenga el cable alejado de las superficies calientes.
- No pase el aparato sobre el cable.
- No tire del cable para desenchufar el aparato. Para desenchufar, tome el enchufe, no el cable.
- No toque el enchufe ni la aspiradora con las manos mojadas.
- No coloque objetos dentro de las aberturas de la unidad. No utilice la aspiradora con alguna abertura obstruida; manténgala libre de polvo, hilachas, pelos y cualquier cosa que pudiera reducir el flujo de aire.
- Mantenga alejado de las aberturas y piezas móviles, su cabello, la ropa suelta, los dedos y cualquier parte del cuerpo.
- No utilice para recoger elementos en combustión o humeantes como cigarrillos, fósforos o cenizas calientes.
- No utilice la unidad si no está colocado el conjunto de bolsa interior eliminadora de olores HEPA.
- Apague todos los controles antes de desenchufar la unidad.
- Tenga especial cuidado al realizar trabajos de limpieza en escaleras.
- No la utilice para recoger líquidos inflamables o combustibles, tales como gasolina o fluido combustible, ni la use en áreas donde puedan haber dichos elementos.
- No utilice el aparato en un espacio encerrado donde vapores inflamables, explosivos o tóxicos son liberados por pinturas a base de aceite, por disolventes o algunas sustancias contra las polillas, o en una área donde exista polvo inflamable.
- No recoja con este aparato materiales tóxicos tales como blanqueador a base de cloro, limpiador de drenajes, gasolina, etc.
- Tenga precaución al aspirar sobre flecos y bordes de alfombras.
- El producto contiene sustancias químicas reconocidas por el Estado de California (EE. UU.) como causantes de cáncer y defectos de nacimiento.

GUARDE ESTAS INSTRUCCIONES

Sólo uso doméstico

Un enchufe polarizado tiene una pata redondeada y una pata recta. La pata redondeada ingresa en la ranura más larga del tomacorriente. Para reducir el riesgo de descarga eléctrica, este equipo tiene un enchufe polarizado (una pata es más ancha que la otra). Este enchufe enchufará sólo de una manera en un tomacorriente polarizado. Si el enchufe no enchufa totalmente dentro del tomacorriente, invierta el enchufe. Si el enchufe sigue sin enchufar, comuníquese con un electricista calificado para que instale el tomacorriente apropiado. No altere el enchufe de ninguna manera.



Contenido



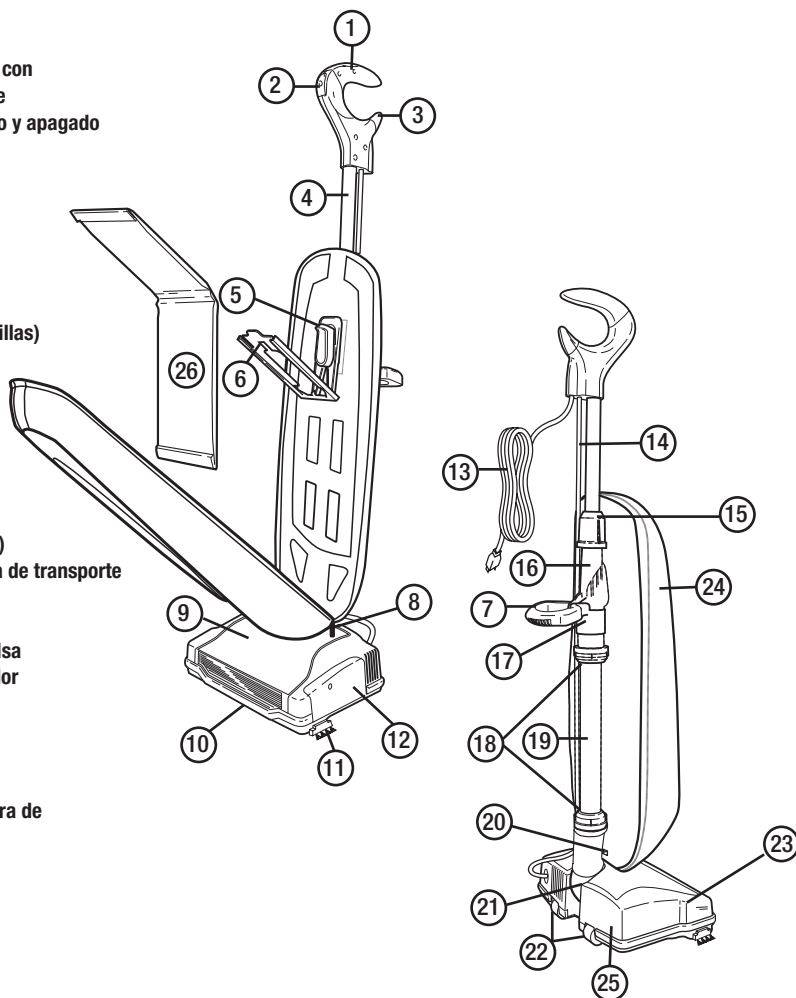
Seguridad	18
Advertencias generales	18
Operación	19
Lista de piezas	19
Ensamblaje del tubo-mango	20
Operación de la aspiradora	20
Almacenamiento	20
Instrucciones de operación	20
Información general	21
Bolsas interiores eliminadoras de olores HEPA	21
Sistema “360° Glide” (Deslizamiento de 360°)	21
La correa	21
Lubricación	21
Mantenimiento	22
Reemplazo de la bolsa interior eliminadora de olores HEPA desechable	22
Reemplazo de correa desgastada	22
Reemplazo del rodillo-cepillo	22
Reemplazo del cepillo de borde	23
Reemplazo de la bombilla LED	23
Atestadura de material u obstrucción	23
Solución de problemas	24
Piezas	24
Piezas de repuesto	24

Operación

Para ayudarle a identificar los componentes de su aspiradora, las piezas han sido numeradas de la siguiente manera.

Lista de piezas

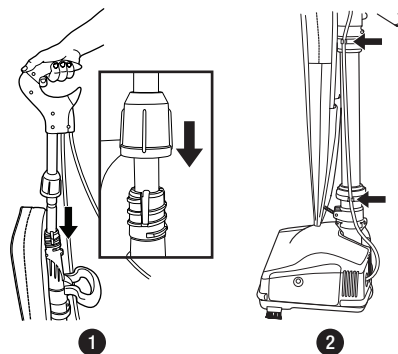
- 1 Mango de la aspiradora con empuñadura confortable
- 2 Interruptor de encendido y apagado
- 3 Liberador de cable
- 4 Tubo-mango
- 5 Desviador
- 6 Ancladero de bolsa
- 7 Manija de transporte
- 8 Cremallera
- 9 Salpicadero (incluye lentes de bombillas)
- 10 Parachoques principal
- 11 Cepillo de borde
- 12 Puerta de correa
- 13 Cable de suministro de energía
- 14 Cable
- 15 Collar del mango
- 16 Desviador (vista trasera)
- 17 Abrazadera de la manija de transporte
- 18 Collares
- 19 Tubo inferior
- 20 Correa elástica de la bolsa
- 21 Alojamiento del ventilador
- 22 Ruedas traseras
- 23 Tapa
- 24 Bolsa exterior
- 25 Cabezal de trabajo
- 26 Bolsa interior eliminadora de olores HEPA desechable



Operación

Ensamblaje del tubo-mango

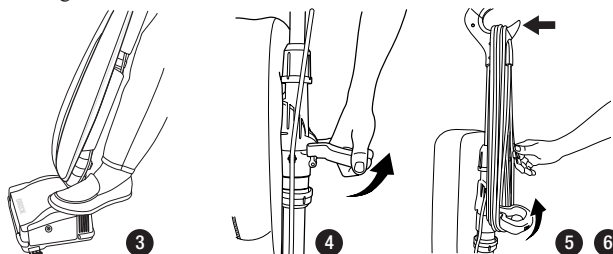
- 1 Abra las cubiertas de la bolsa exterior; para ello levante el lado de Velcro del panel. Alinee la ranura del tubo del mango con la lengüeta del conector. Inserte el tubo del mango en el conector. Apriete el collar de la base del tubo del mango sobre el conector hasta que quede bloqueado por encaje a presión.
- 2 Encaje a presión el conjunto de cordón en el sujetador de cordón ubicado en el lado izquierdo del collar. Deje el resto del cordón en el cabezal motorizado, para permitir el movimiento. Posicione el conjunto de cable a lo largo del tubo, entre la parte posterior de la bolsa exterior y las cubiertas de la misma.



Operación de la aspiradora

Asegúrese de que la bolsa interior eliminadora de olores HEPA desechable esté colocada. NO opere la aspiradora sin una bolsa interior HEPA. Enchufe el cable de suministro de energía en un tomacorriente eléctrico y oprima el interruptor On Low (I) - On High (II) - OFF (O) [Encendido Baja (I) - Encendido Alta (II) - Apagado (O)] ubicado en el mango, cuando se esté listo para operar la aspiradora.

- 3 **Seguro de posición arriba (Up-Position Lock)** - Coloque el pie sobre el cabezal de trabajo e incline el mango suavemente hacia atrás para liberar el seguro para uso de la aspiradora. Regrese el mango a la posición totalmente vertical para enganchar el seguro. El mango debe girarse hasta la posición central antes de regresar a la posición vertical. Nota: No opere la unidad mientras está en la posición vertical asegurada. No permita que la unidad opere por ningún período de tiempo mientras está en una posición estacionaria. Mantenga en movimiento la unidad mientras está en funcionamiento.
- 4 **Manija de transporte** - Levante la manija de transporte ubicada en la parte trasera de la unidad, para fácil levantamiento, transporte y trabajos de aspiración en escaleras. Baje la manija durante el uso para eliminar la obstrucción.
- 5 **Almacenamiento fácil del cordón de alimentación eléctrica:** - Levante el mango para acarreo y enrolle el cordón de alimentación eléctrica alrededor del mango para acarreo y el mango de la aspiradora.
- 6 Para liberar el cordón, gire 1/2 vuelta el pasador para cordón ubicado en el mango de la aspiradora. Deslice el cordón fuera del mango.



Almacenamiento

Tanto el mango de la aspiradora como el mango para acarreo pueden utilizarse para un almacenamiento conveniente de la aspiradora, que ocupa el mínimo de espacio. Cuelgue la aspiradora por la manija de acarreo en un sujetador robusto, o por la manija de la aspiradora en una barra de armario.

Instrucciones de operación

Esta nueva aspiradora vertical ORECK es una de las unidades más refinadas, más rápidas y más fuertes de su clase. Usted adorará la manera como realiza la limpieza, se mete debajo de las cosas, y es MUY liviana y fácil de utilizar. Las siguientes son unas pocas sugerencias sencillas relacionadas con su manejo:

1. Cuando inserte una nueva bolsa interior HEPA desechable, PRIMERO EXPANDA y ABRA LA BOLSA.
2. Cuando la bolsa interior HEPA desechable esté llena, REEMPLÁCELA.
3. Si en cualquier momento la máquina no aspira el polvo apropiadamente o produce un ruido inusual, DETENGA SU FUNCIONAMIENTO y suministre servicio de mantenimiento.
4. Aunque su aspiradora vertical es capaz de recoger alfileres, sujetadores de papel y otros objetos pequeños, se recomienda retirar estos elementos del piso antes de realizar la aspiración. No hacerlo así podría resultar en daño permanente del ventilador de succión y su alojamiento.
5. ADVERTENCIA: No utilice su aspiradora sobre superficies húmedas o mojadas. Esto causará daño a la aspiradora y es peligroso para el usuario. El daño causado por uso en superficies mojadas o húmedas no está cubierto por la garantía.
6. Para óptimo desempeño, reemplace la correa cada 6 meses.
7. Revise la bolsa interior eliminadora de olores HEPA desechable al menos una vez por mes.
8. NO pase la aspiradora sobre el cable de suministro de energía. El cepillo giratorio podría dañar el cable.
9. Tenga precaución al aspirar sobre flecos y bordes de alfombras.

Información general

El rendimiento de su nueva aspiradora depende grandemente del cuidado y mantenimiento. Las instrucciones contenidas en este manual le ayudarán en la realización del cuidado y mantenimiento básicos. Para obtener muchos años de servicio satisfactorio, lea las instrucciones y guárdelas para futura consulta.

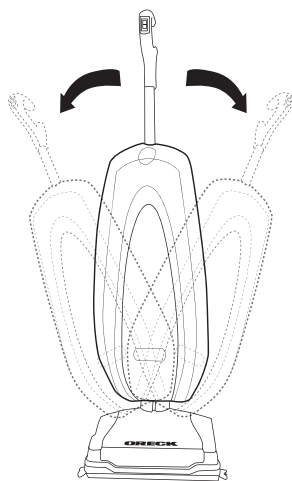
Bolsas interiores eliminadoras de olores HEPA

Su Oreck incluye una bolsa interior eliminadora de olores HEPA. La bolsa interior desechable juega un papel muy importante en la eficiencia de su aspiradora ORECK. El objetivo de la bolsa interior desechable es atrapar la suciedad, pero al mismo tiempo debe ser suficientemente porosa para dejar pasar el aire a través. Si la bolsa interior desechable está obstruida no puede pasar aire a través de la aspiradora, y entonces no puede tener lugar la limpieza, sea cual sea la potencia de la máquina.

Para mantener su aspiradora vertical funcionando con la máxima eficiencia, cambie con frecuencia la bolsa interior desechable.

NO LLENE MÁS ALLÁ DE LA LÍNEA INDICADA EN LA BOLSA INTERIOR DESECHABLE.

Asegúrese de que la bolsa interior desechable esté instalada correctamente. Nota: no todas las bolsas interiores desechables son lo mismo. Oreck ofrece bolsas interiores HEPA y no HEPA. Sus bolsas interiores HEPA o no HEPA de Oreck han sido diseñadas para utilizarse con la aspiradora vertical ORECK. Si se utilizan bolsas que no sean las bolsas interiores desechables HEPA o no HEPA legítimas de ORECK, la capacidad de limpieza de su aspiradora se verá afectada, y la máquina podría dañarse.



Sistema "360° Glide" (Deslizamiento de 360°)

Su nueva aspiradora vertical Oreck tiene el sistema de giro "360° Glide". El sistema "360° Glide" otorga un nivel de maniobrabilidad completamente nuevo a su aspiradora vertical liviana Oreck. No se requiere instalación. Simplemente gire el mango de su aspiradora vertical Oreck para maniobrar la unidad. Vaya a la izquierda, vaya a la derecha, realice giros cerrados debajo y alrededor de los muebles.

La correa

La correa de su aspiradora controla la velocidad del cepillo giratorio y es muy importante para el funcionamiento efectivo de la aspiradora. Si la correa se alarga o se rompe, esto causará que el cepillo giratorio se detenga completamente o reduzca su velocidad. Vea las instrucciones en el manual para reemplazar la correa.

Lubricación

Los cojinetes del motor de la aspiradora son del tipo lubricado y sellado en fábrica. No se requiere lubricación adicional.

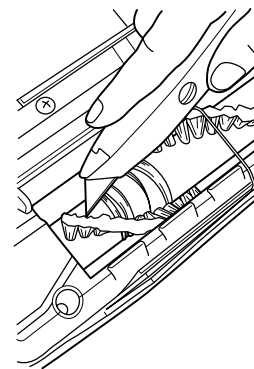
PRECAUCIÓN

Pisos de madera, superficies blandas de pisos (vinilo, baldosa de asfalto, etc.) y acabados pulidos de pisos

Utilice los métodos de limpieza recomendados por el fabricante del piso y de los acabados de pisos. El cepillo-rodillo también podría rayar acabados muy blandos. No opere la unidad mientras está en la posición vertical asegurada. No permita que la unidad opere por ningún período de tiempo mientras está en una posición estacionaria. Mantenga en movimiento la unidad mientras está en funcionamiento.

Nota: Al menos una vez al mes, revise y quite del cepillo giratorio las hilachas, cuerdas o pelos excesivos. Las ranuras de limpieza patentadas del rodillo-cepillo permitirán una limpieza más fácil. Limpie frotando con un trapo húmedo la parte exterior de la aspiradora. Además limpie el área del desviador, la base de la aspiradora y el área del alojamiento del ventilador. Si hay polvo en la bolsa exterior, aspirela o sacúdala.

Un pequeño trabajo de mantenimiento preventivo mantendrá su aspiradora como nueva y garantizará una efectividad continuada en la limpieza.



Reemplazo de la bolsa interior eliminadora de olores HEPA desechable

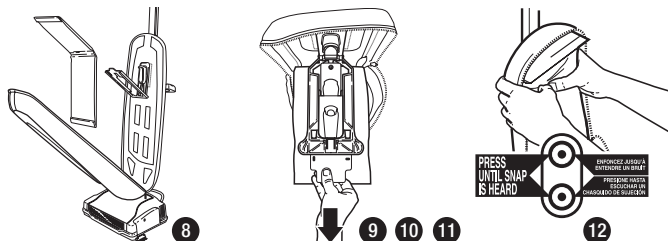
⚠ ADVERTENCIA: Antes de realizar el servicio de mantenimiento, desenchufe el cable del tomacorriente eléctrico.

REMOCIÓN DE LA BOLSA:

- 8 Abra completamente la cremallera de la bolsa exterior.
- 9 Hale el collar de cartón de la bolsa para liberar la puerta ancladero de la bolsa. La puerta ancladero de la bolsa girará hacia abajo.
- 10 Hale suavemente el collar de cartón de la bolsa hacia arriba y afuera del ancladero de la bolsa. El sello contra polvo Saniseal® se cerrará automáticamente.

INSTALACIÓN DE LA BOLSA:

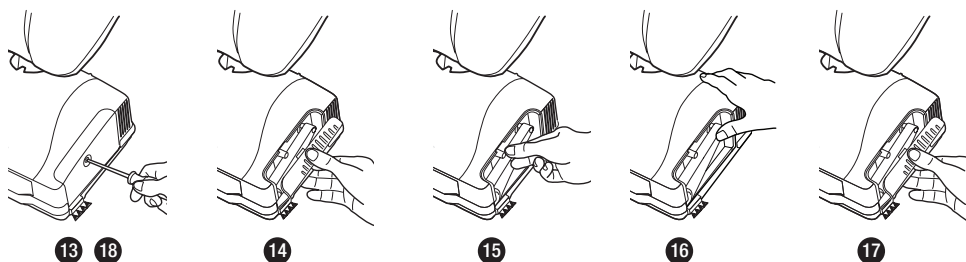
- 11 Deslice el collar de cartón completamente sobre la puerta ancladero de la bolsa.
- 12 Empuje firmemente la puerta ancladero de la bolsa con ambos dedos pulgares en el punto indicado hasta que se sujete a presión al escuchar un chasquido.



Reemplazo de correa desgastada

⚠ ADVERTENCIA: Antes de realizar el servicio de mantenimiento, desenchufe el cable del tomacorriente eléctrico.

- 13 Remueva la tapa removiendo el tornillo de sujeción ubicado en el lado del cabezal de trabajo.
- 14 Gire la tapa alejándola del cabezal de trabajo y levántela.
- 15 Quite la correa del eje impulsor del motor y de la polea del rodillo-cepillo.
- 16 Instale la correa nueva sobre la polea del rodillo-cepillo. Coloque el extremo opuesto de la correa en el eje impulsor del motor.
- 17 Coloque nuevamente la tapa colocando la lengüeta inferior de la tapa dentro de las ranuras ubicadas en el cabezal de trabajo y presionando la tapa para cerrarla.
- 18 Coloque nuevamente el tornillo de sujeción y apriételo.

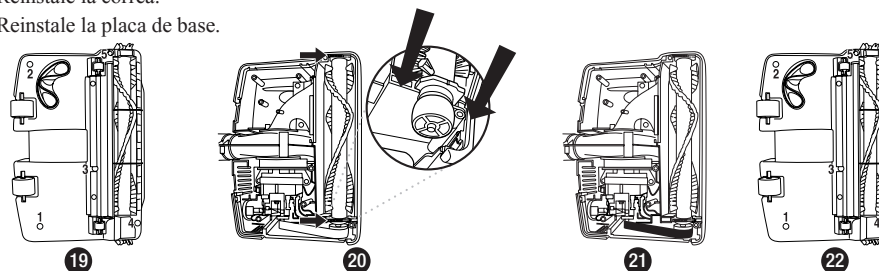


Reemplazo del rodillo-cepillo

⚠ ADVERTENCIA: Antes de realizar el servicio de mantenimiento, desenchufe el cable del tomacorriente eléctrico.

Su Aspiradora Oreck tiene un rodillo-cepillo que puede reemplazarse después del uso intenso para lograr un mejor funcionamiento.

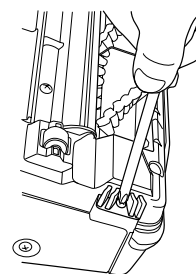
- 19 Remueva la placa de base removiendo 5 tornillos. Luego, saque del alojamiento la correa y el rodillo-cepillo.
- 20 Sujete a presión el rodillo-cepillo nuevo.
- 21 Reinstale la correa.
- 22 Reinstale la placa de base.



Reemplazo del cepillo de borde

⚠ ADVERTENCIA: Antes de realizar el servicio de mantenimiento, desenchufe el cable del tomacorriente eléctrico.

- 23 Voltee el cabezal de trabajo. Con la placa de base dirigida hacia arriba, remueva el tornillo ubicado en el centro de cada cepillo de borde. Quite ambos cepillos de borde y reemplácelos con los nuevos. Coloque nuevamente ambos tornillos y apriételes.



23

Reemplazo de la bombilla LED

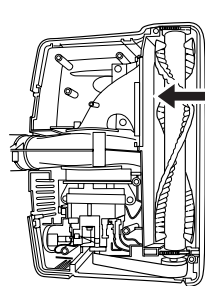
La bombilla debe ser reemplazada en un centro de servicio autorizado de Oreck cuando ésta no se encienda durante la operación.

Atestadura de material u obstrucción

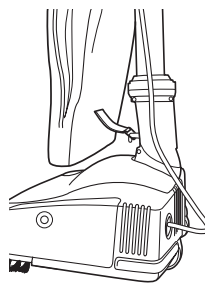
IMPORTANTE: En alfombras de felpa o alfombras nuevas, podría ocurrir una obstrucción dentro del tubo de entrada y el tubo inferior. Esto se debe a la excesiva cantidad de pelusa y material suelto en la alfombra. Podría ocurrir obstrucción durante las primeras limpiezas hasta que todo el material suelto sea removido. Debido a la alta eficiencia de la aspiradora, muchas alfombras viejas causarán obstrucción cuando la aspiradora se utiliza por primera vez en éstas. Si su aspiradora no aspira apropiadamente, o produce ruido inusual y la bolsa exterior no se infla, siga estos pasos:

⚠ ADVERTENCIA: Antes de realizar el servicio de mantenimiento, desenchufe el cable del tomacorriente eléctrico.

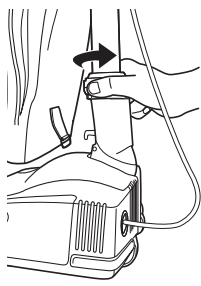
- 24 Revise en cuanto a obstrucción en la abertura de entrada. Si hay obstrucción, elimínela con pinzas de punta larga, un destornillador o un gancho de chaqueta/saco. Si usted no puede alcanzar la obstrucción, remueva la placa de base. Remueva la placa de base removiendo 5 tornillos (vea “Reemplazo del rodillo-cepillo”).
- 25 Si el bloqueo no está en la base, retire el tubo inferior. Desenganche la correa elástica de la bolsa, para liberar así el fondo de ésta. Abra la cubierta inferior con Velcro® de la bolsa exterior para tener acceso a los collares y al tubo inferior.
- 26 Gire en sentido antihorario el collar inferior para deslizar hacia arriba. Hale el tubo hacia afuera de la base. Revise en busca de obstrucción. Si la obstrucción está en el tubo, remuévala con un gancho de chaqueta/saco.
- 27 Si el tubo no está obstruido, examine el interior del alojamiento del ventilador. Remueva los desechos mediante pinzas de punta larga, un destornillador o un gancho de chaqueta/saco.
- 28 Para volver a montar, revise la junta tórica (O-ring) del tubo y reemplácela si estuviera dañada. Vuelva a instalar el tubo; para ello alinee primero la ranura de la base del tubo con la lengüeta que está dentro del alojamiento del ventilador.
- 29 Inserte el tubo y empuje hacia abajo hasta que asiente. Asegúrese de que la junta tórica (O-ring) esté colocada contra la abertura del alojamiento del ventilador. Apriete el collar hasta sus lengüetas de bloqueo queden bloqueadas. Vuelva a colocar la correa elástica de la bolsa. Posicione el conjunto de cable a lo largo del tubo, entre la parte posterior de la bolsa exterior y las cubiertas de la misma. Cierre la cubierta inferior de la bolsa exterior con el Velcro®.
- 30 Muchas veces el bloqueo se produce debido a una bolsa interior HEPA llena, que hace que la suciedad retroceda por el sistema de flujo de aire. Cuando ocurre eso, el bloqueo estará en el extremo superior del sistema, comenzando en el área en la que la bolsa interior HEPA se conecta con el conjunto de conector. Nota: si las acciones indicadas no corrigen el problema, póngase en contacto con un centro de servicio autorizado de Oreck o llame al centro de servicio al cliente. **En los EE. UU.: 1-800-989-3535** **Canadá: 1-888-676-7325**



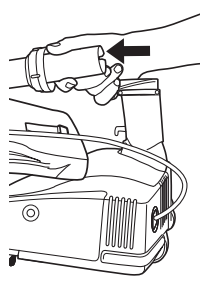
24



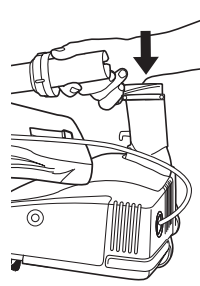
25



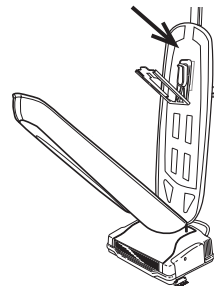
26



26 27



28 29



30

Solución de problemas

Los problemas de servicio que parecen grandes frecuentemente pueden solucionarse fácilmente. Estudiando esta guía, usted puede ser su propio técnico solucionador de problemas.

Todos los demás servicios de mantenimiento deben ser realizados por un centro de servicio autorizado de Oreck.

Problema	Revisar	Qué se debe hacer
La aspiradora no funciona.	<ul style="list-style-type: none"> No está enchufada apropiadamente. No hay electricidad en el tomacorriente. 	<ul style="list-style-type: none"> Verifique que la aspiradora está enchufada firmemente en el tomacorriente de pared. Revise la fuente eléctrica – fusible o interruptor automático (breaker).
La aspiradora no aspira la suciedad.	<ul style="list-style-type: none"> La bolsa filtrante está llena. Boquilla o pivote de entrada obstruidos. La correa está rota o alargada. El cepillo está desgastado. Tubo de bolsa obstruido. Bag pores are clogged with fine dust. El ventilador está roto 	<ul style="list-style-type: none"> Reemplace la bolsa filtrante. Vea ‘Reemplazo de la bolsa interior eliminadora de olores HEPA desechable’. Elimine la obstrucción. Reemplace la correa. Vea “Reemplazo del rodillo-cepillo”. Elimine la obstrucción. Cambie la bolsa. Devuelva al centro de servicio, para reparación.
La unidad sigue sin funcionar apropiadamente	<ul style="list-style-type: none"> Revise todos los puntos anteriores. 	<ul style="list-style-type: none"> Comuníquese con Oreck para obtener servicio.

Piezas

Todos los accesorios y piezas de repuesto se venden por separado. Para pedir, llame a nuestro grupo de servicio al cliente o visite nuestro sitio de Internet. Por favor obtenga su número de modelo mostrado en la etiqueta de datos ubicada en la parte interior de la unidad.

Accesorios

Ítem	Número de pieza
Ambientador de habitaciones/salas y alfombras, Crystal Aroma®	AROMAII
Sistema de limpieza Dry Carpet® de Oreck	303110S

Piezas de repuesto

Ítem	Número de pieza
Correas, paquete de 3 unidades	0300604
Bolsa interior HEPA eliminadora de olores, paquete de 8 unidades	CCPK80H

Línea directa de servicio al cliente

EE.UU.: 1-800-989-3535 Canadá: 1-888-676-7325

Sitio de Internet: www.oreck.com

© 2012 Oreck Holdings, LLC.

All rights reserved. All marks, text, logos, product configurations and registered trademarks are owned and used under the authority of Oreck Holdings, LLC.

79196-01 REV A 09/12 ECN # R-11115