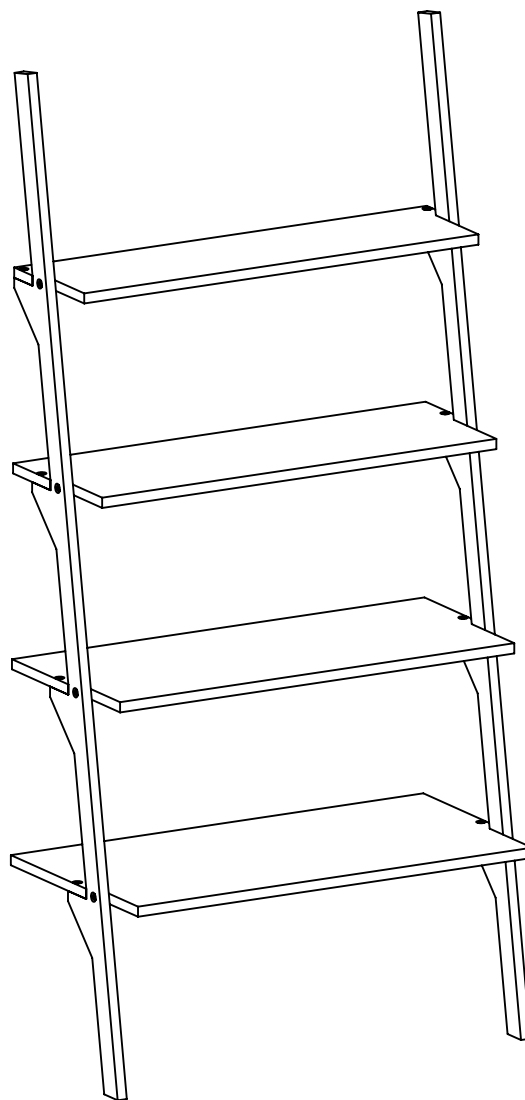


# JAI wide shelving

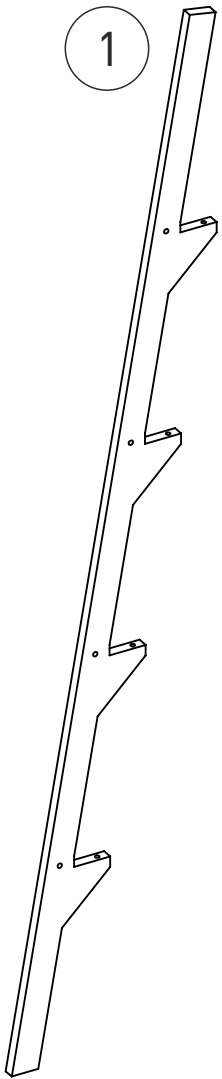
habitat 

238663, 238667  
JAI-WS-SS14-A

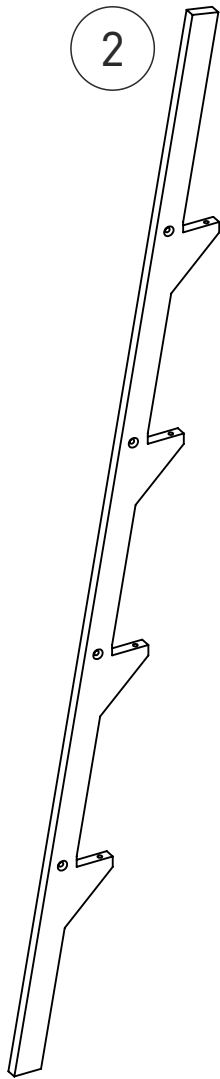


# habitat

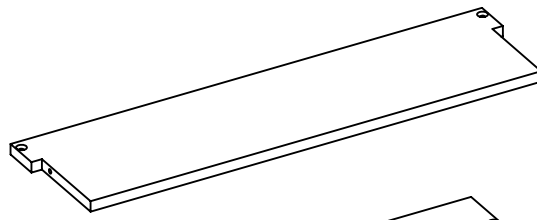
# Components



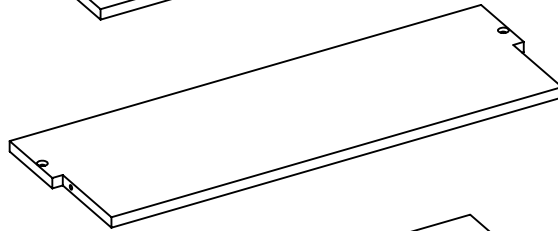
1



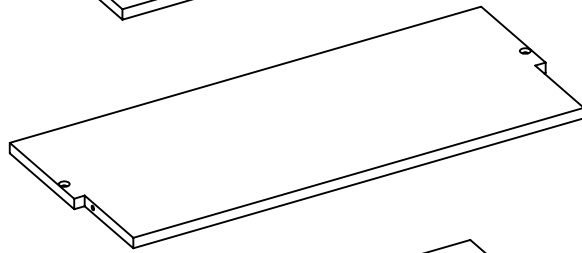
2



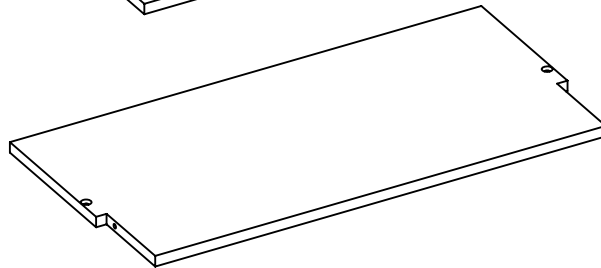
3



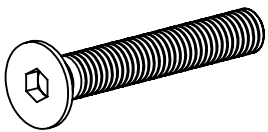
4



5

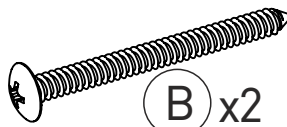


6



A x16

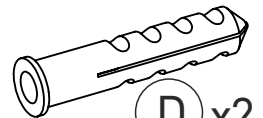
## WALL FIXINGS (for solid walls only)



B x2



C x2

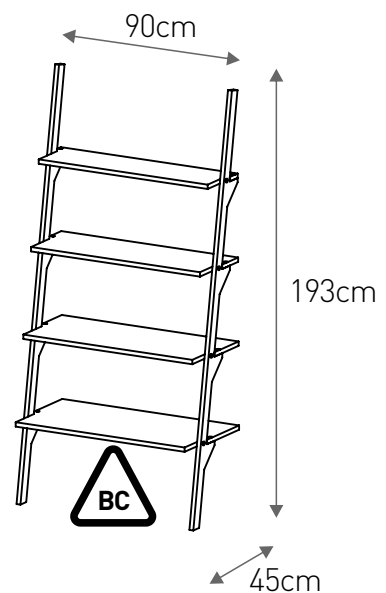


D x2

Please refer to the guide on the last page for other wall types.

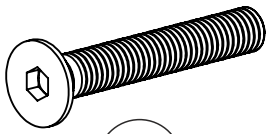


Retain batch code label



# Assembly Instructions - Keep in a safe place for future reference

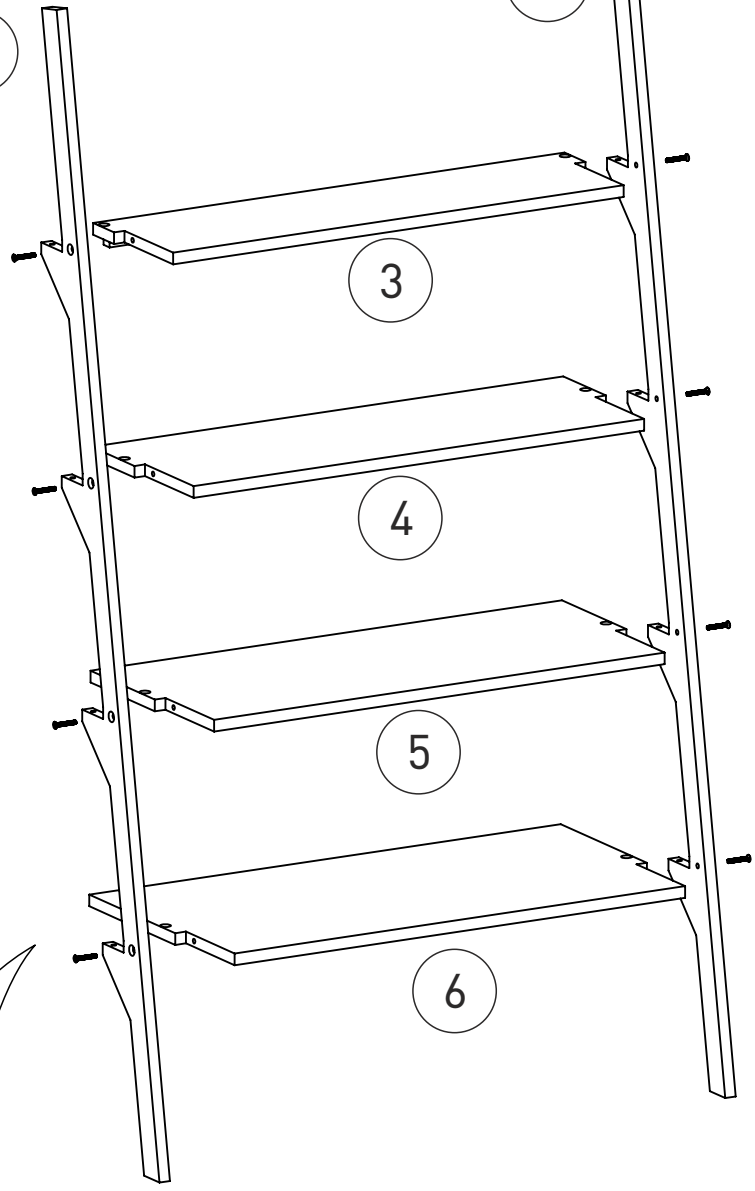
1



A

1

2



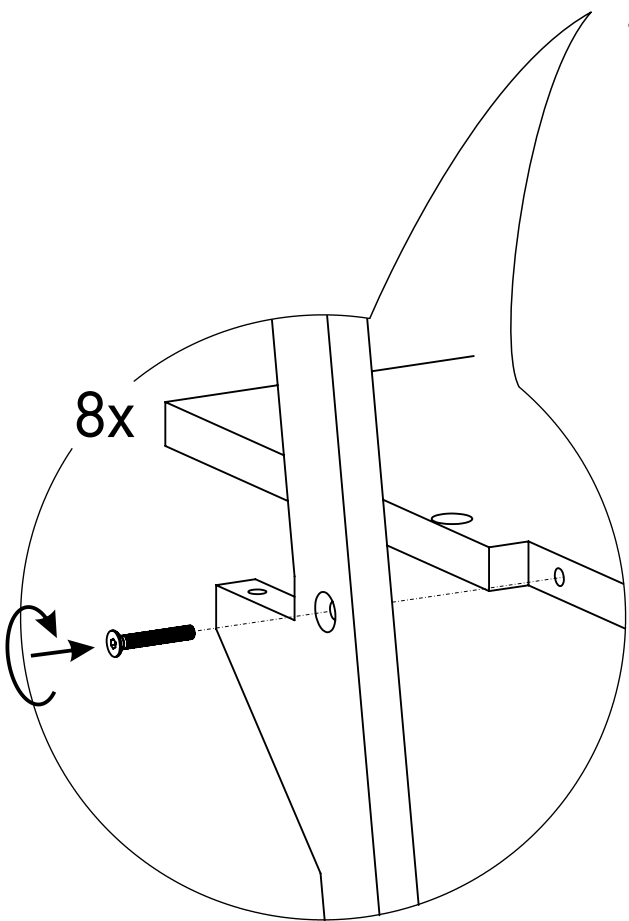
3

4

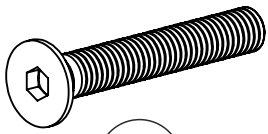
5

6

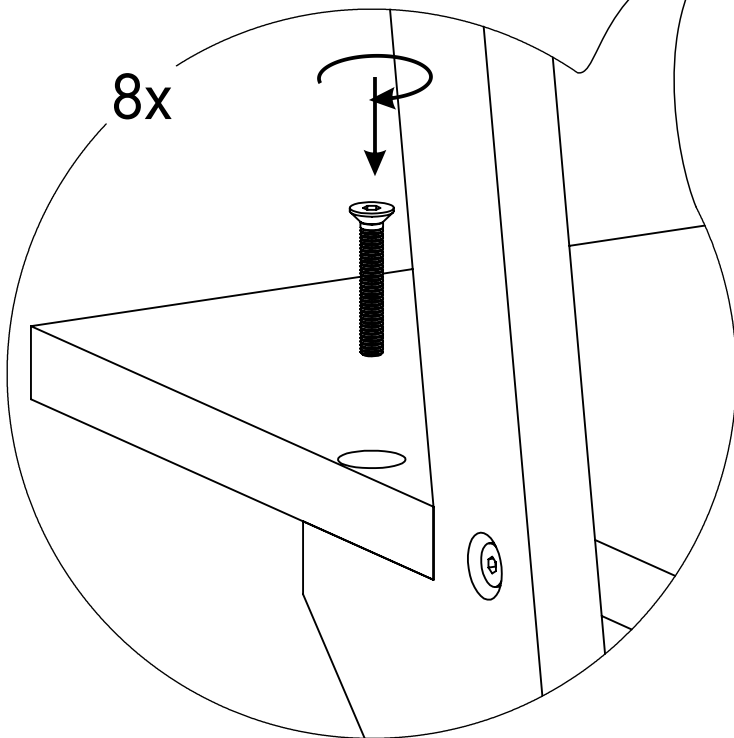
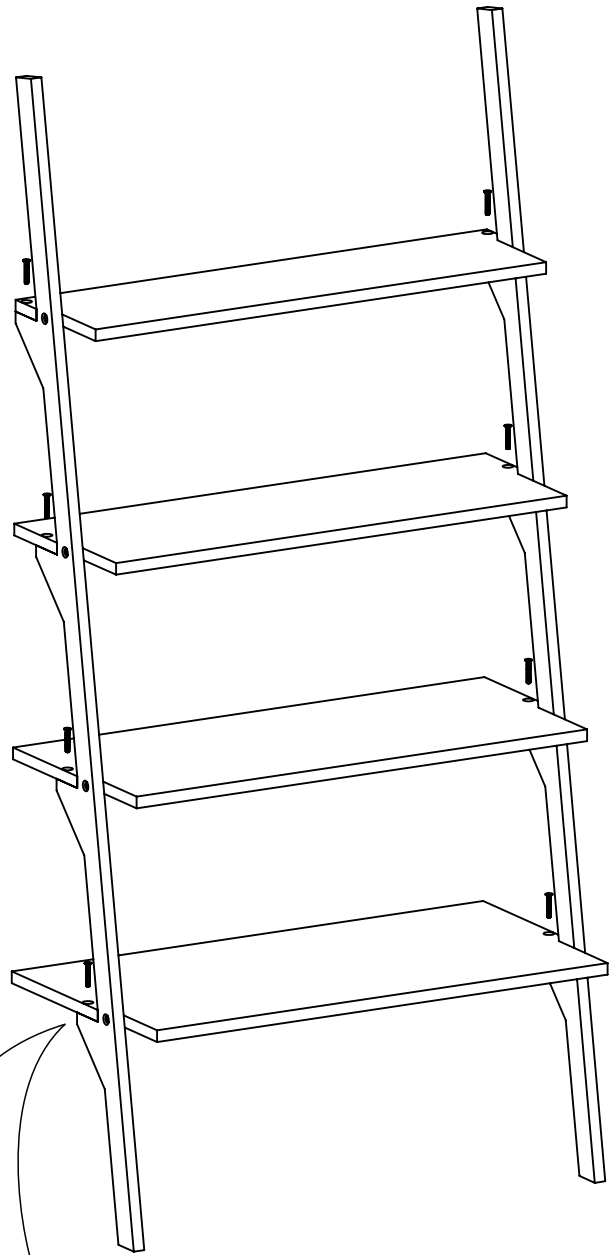
8x



2



A



8x

# Assembly Instructions - Keep in a safe place for future reference

## 3

### Important

For strength and stability this unit must be attached to the wall as detailed below.

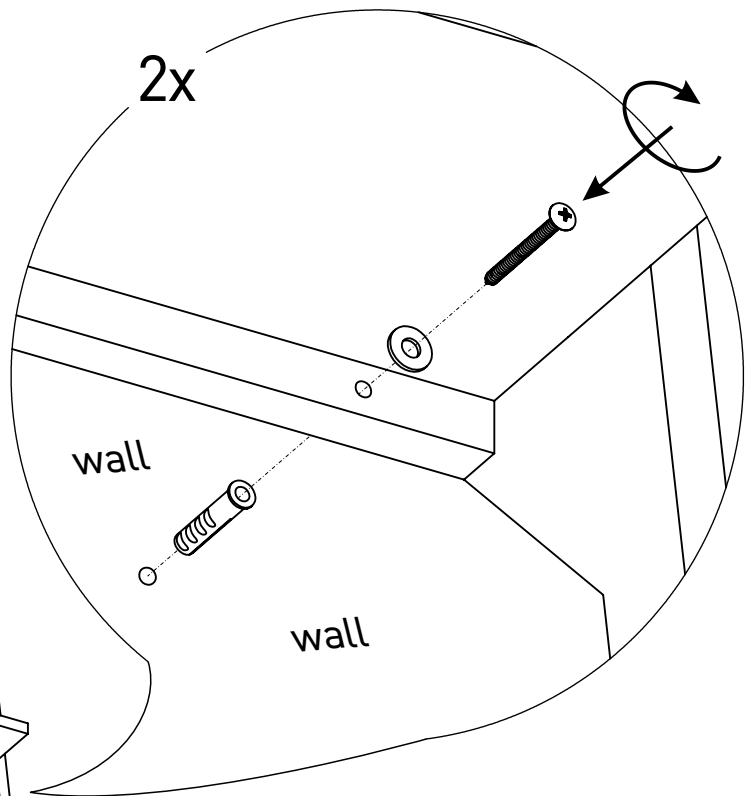
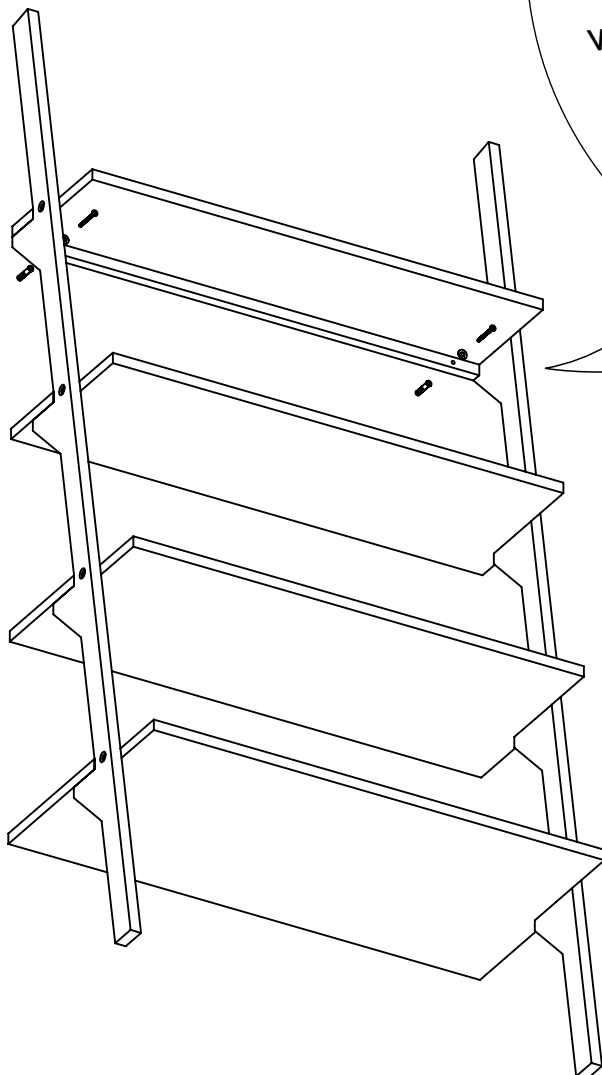
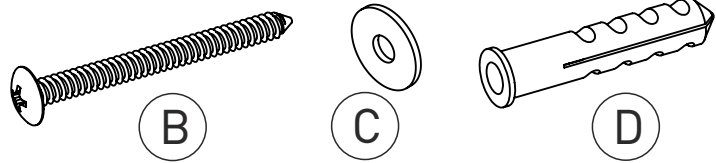
### Warning

Before drilling check wall for hidden pipes and cables.

### Note

Wall plugs supplied are for solid walls only. For other walls types you should refer to the attached wall guide. If in doubt seek professional help.

## FIXING TO WALL



# General Care Advice - please read carefully

## Wood elements

We would recommend that you protect this furniture from spills - any spillage should be removed immediately to avoid staining by using a damp cloth, then wiping dry the surface with a clean dry duster. Repeat this procedure for periodic cleaning. The use of furniture polishes or sprays is not necessary or recommended.

Wood is a beautiful natural material. It is important to understand its unique properties which should not be mistaken for flaws.

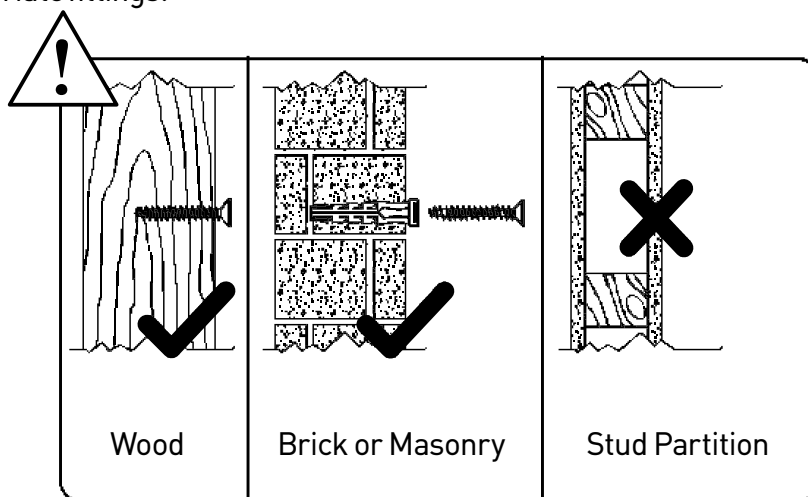
Each piece will have a slightly different grain pattern. Variation in colour, shading and grain between different products and within the same product can occur. This is a normal feature of all natural wood furniture.

- Take care when moving furniture, dragging pieces across the floor will damage the joints.
- Take care to prevent sharp objects e.g. toys, buckles and heels from coming into contact with your furniture, and avoid contact with chemicals e.g. cosmetics or hair products which may permanently mark the surface.
- Avoid exposing your furniture to direct and prolonged periods of sunlight and heat sources as fading or cracking may result.

If your furniture becomes stained, scratched chipped or suffers other damage we would recommend professional help is sought to restore it.

## **Periodically check that there are no loose screws on the unit.**

Because of the variety of different wall types, Habitat cannot provide you with the exact fittings to fix this product. It is necessary that you identify the type of wall you intend to fix this item onto and contact your local hardware store to get the appropriate fittings.



If for any reason you should have problems with your Habitat product please contact the store from which you purchased your product.

If you have any comments or suggestions regarding this product, assembly instructions or service received, please enquire at your nearest store or contact us on our website at:

[www.habitat.co.uk](http://www.habitat.co.uk) or write to this address:

Habitat Retail Ltd. 489-499 Avebury Boulevard,  
Milton Keynes MK9 2NW