

# Elder Storage Console

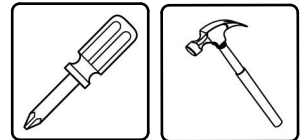
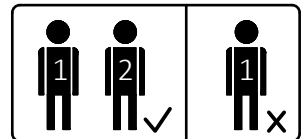
Assembly Instructions - Please keep for future reference

ELDER-CO-SS15-A

## Dimensions

Width - 95cm  
Depth - 35cm  
Height - 79,5cm

## Tools required



**Important** - Please read these instructions before assembly

If you need help or have damaged or missing parts, email:  
[customerservices@habitat.co.uk](mailto:customerservices@habitat.co.uk) or call: 0344 499 4686

habitat 



# Safety and Care Advice

## Important - Please read these instructions fully before starting assembly

Check you have all the components and tools listed on the front cover and pages 3 - 4.

Remove all fittings from the plastic bags and separate them into their groups.

Keep children and animals away from the work area, small parts could choke if swallowed.

Make sure you have enough space to layout the parts before starting.

Do not stand or put weight on the product, this could cause damage.

Assemble the item as close to its final position (in the same room) as possible.

Do not place furniture directly in front of radiators, fires or any other source of heat.

Parts of the assembly will be easier with 2 people.

Assemble on a soft level surface to avoid damaging the unit or your floor.

We do not recommend the use of power drill/drivers for inserting screws, as this could

damage the unit. Only use hand screwdrivers.

Dispose of all packaging carefully and responsibly.

## General care and maintenance

Only clean using a damp cloth and mild detergent, do not use bleach or abrasive cleaners.

From time to time check that there are no loose screws on this unit.

This product should not be discarded with household waste. Take to your local authority waste disposal centre.

## Cleaning and care of high gloss surfaces

Regular dusting with a dry cloth will keep your units clean.

Clean marks with a damp cloth. Do not allow spillages to stay on the surface for long. To remove stubborn stains, wipe over with a damp cloth and washing up liquid.

Do not use abrasive cleaners.

Do not clean with products containing the following: Acetone,

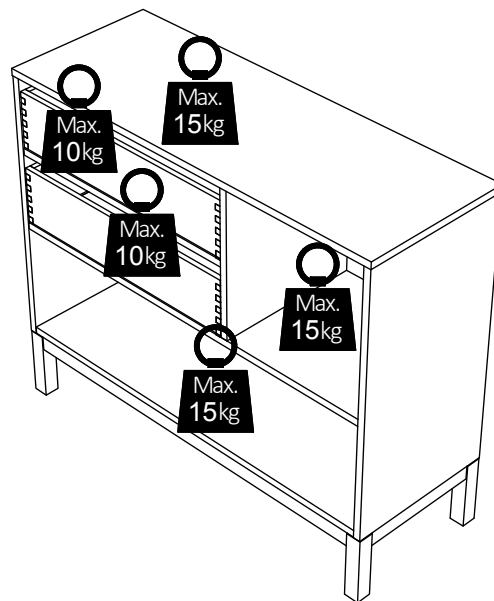
(e.g. nail varnish remover). Ammonia (e.g. bleach). or Sodium hydroxide (e.g. Caustic soda, drain and oven cleaners).

In the event of accidental contact with aggressive cleaners, rinse thoroughly with water.

Use place mats to protect the surface from moisture and heat.

## Maximum weight limit

**Important:** Recommended maximum load for each shelf is shown below.



## General information

If for any reason you should have problems with your Habitat product, please contact the store from which you purchased it.

Please retain your receipt as proof of purchase.


If you have any comments or suggestions regarding this product, assembly instructions or service

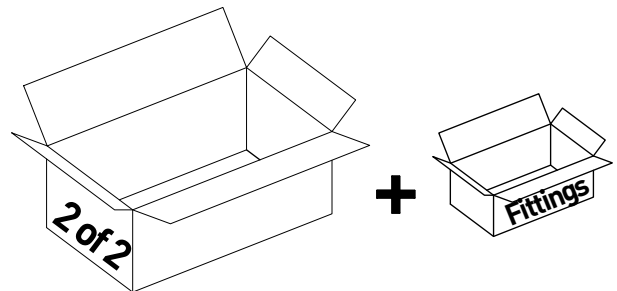
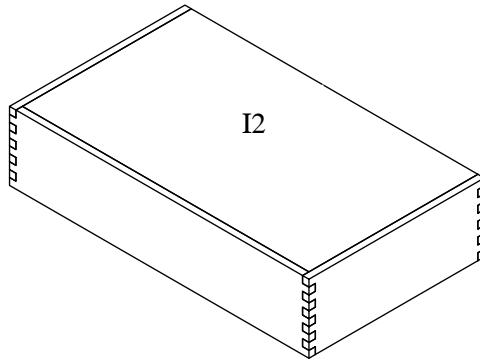
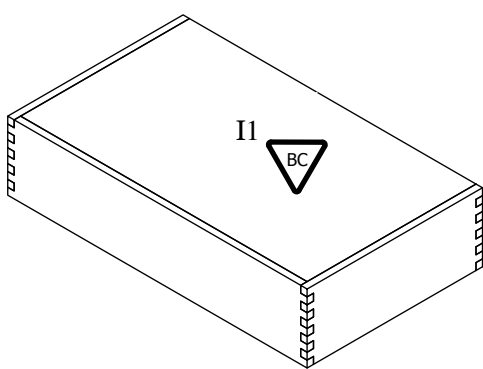
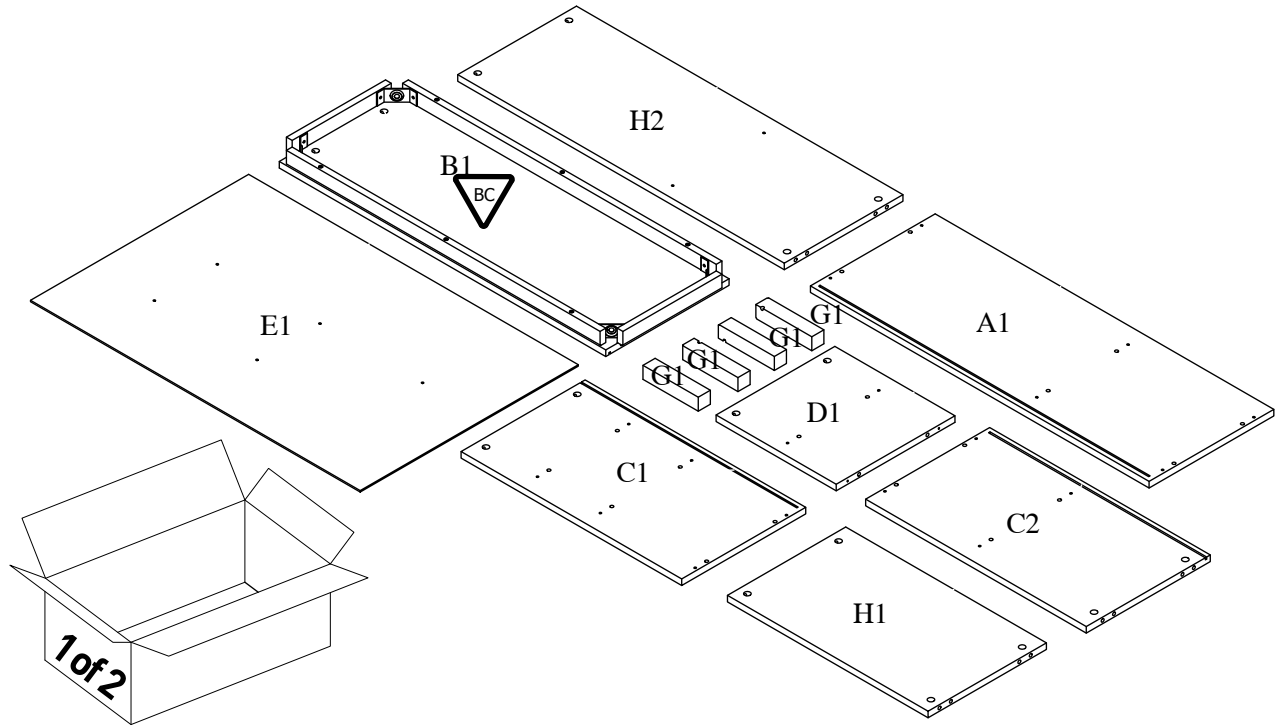
received, please contact the store or Habitat Head Office via its web site: [www.habitat.co.uk](http://www.habitat.co.uk) or write directly to: **Habitat Retail Ltd. 489-499 Avebury Boulevard, Milton Keynes MK9 2NW**

# Components - Panels

If you need help or have damaged or missing parts, email: [customerservices@habitat.co.uk](mailto:customerservices@habitat.co.uk) or call: 0344 499 4686

Please check you have all the panels listed below

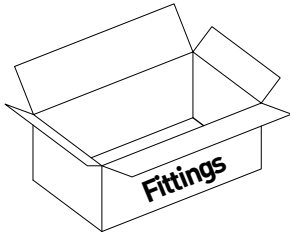
 **BC Note:** There are 'Batch Code' labels where shown on the indicated items, these should be retained.



# Components - Fittings

If you need help or have damaged or missing parts, email: [customerservices@habitat.co.uk](mailto:customerservices@habitat.co.uk) or call: 0344 499 4686

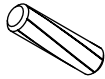

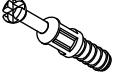
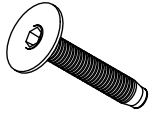

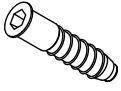

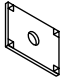


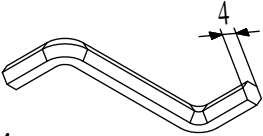
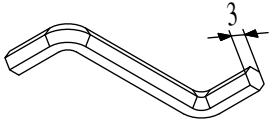
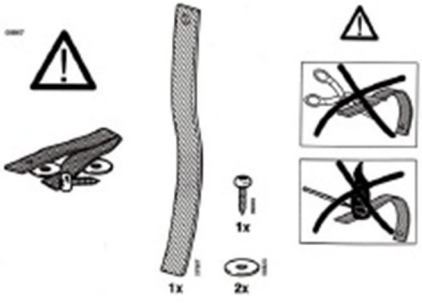
Please check you have all the panels listed below



**Note:** The quantities below are the correct amount to complete the assembly. In some cases more fittings may be supplied than are required.

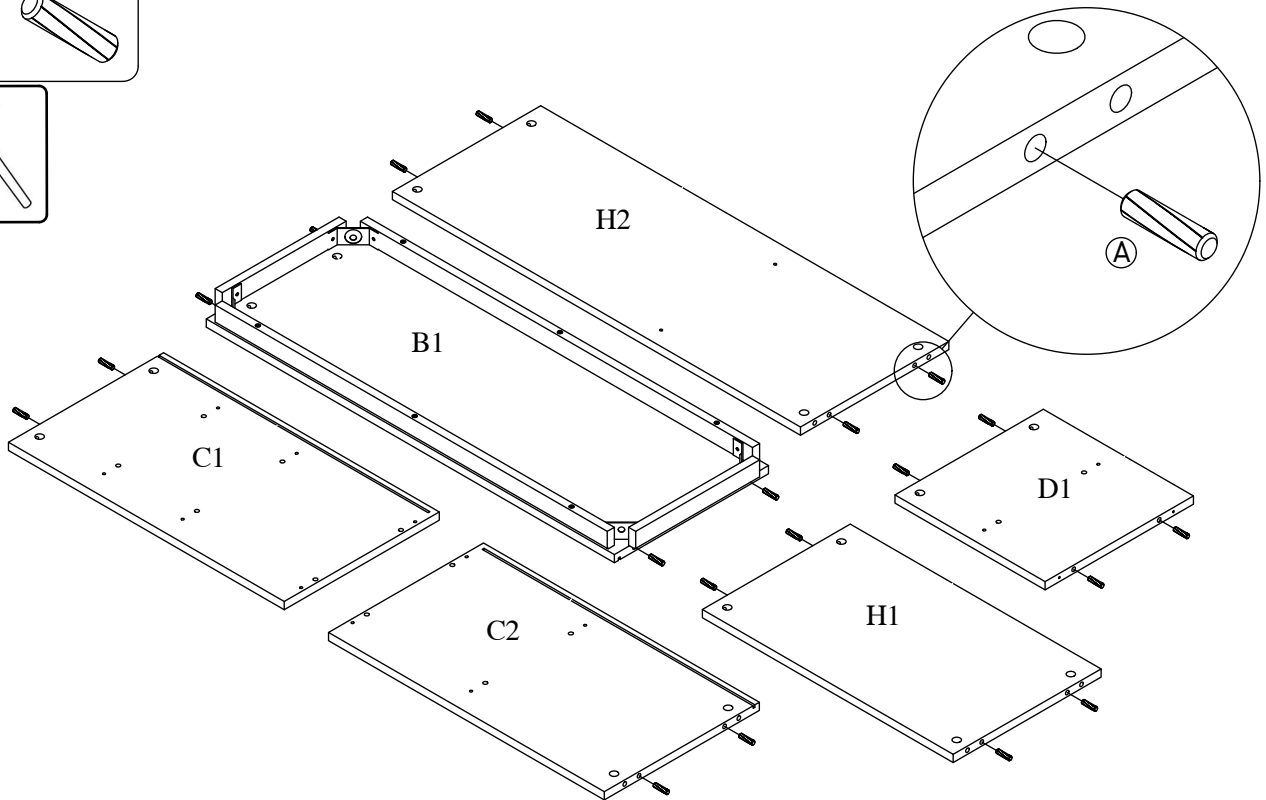
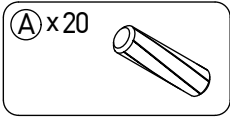
**Ruler - To help correctly identify the fittings**



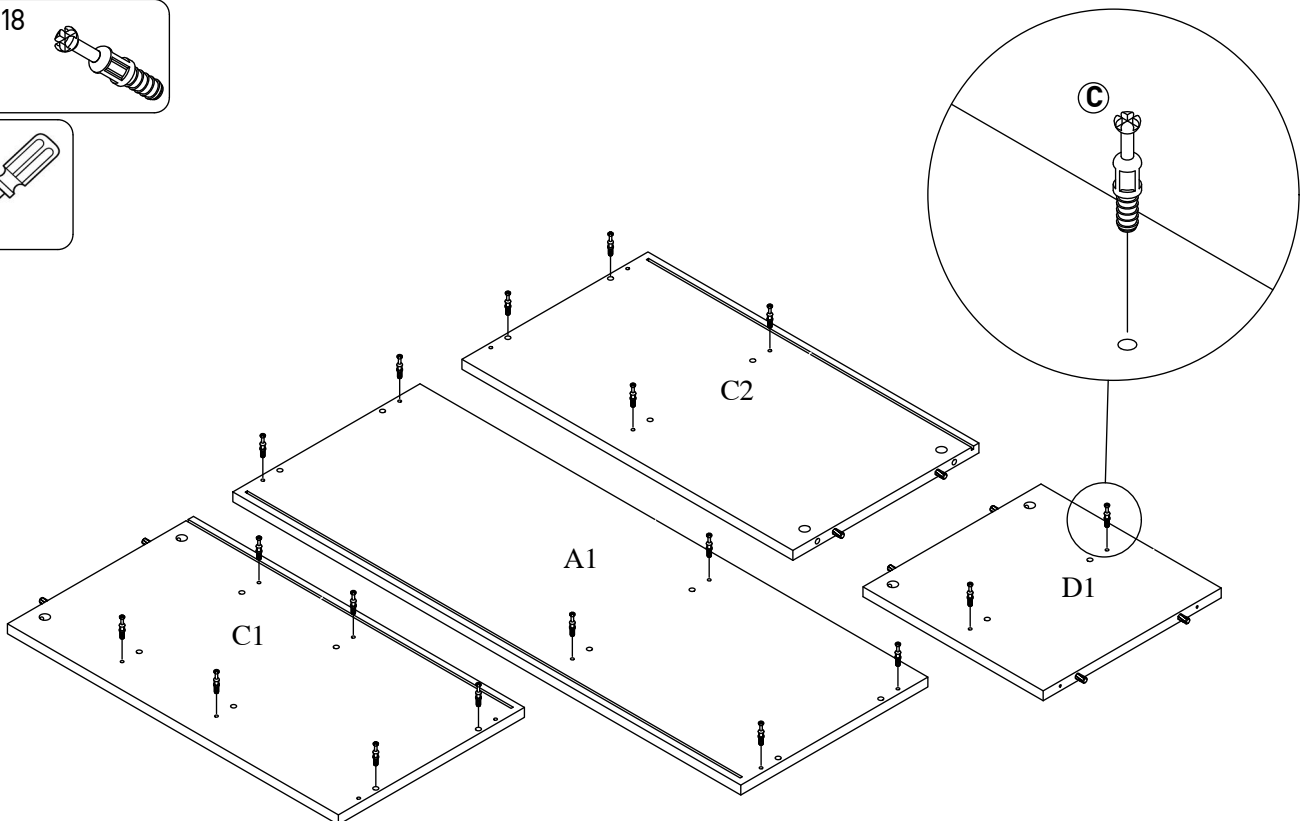
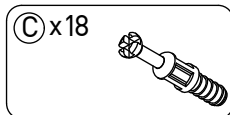
<p>Ⓐ</p>  <p>Wooden dowels x 36</p>	<p>Ⓑ</p>  <p>Connector x 12</p>	<p>Ⓒ</p>  <p>Screws x 12</p>
<p>Ⓓ</p>  <p>Screws x 4</p>	<p>Ⓔ</p>  <p>Connector x 4</p>	
<p>Ⓖ</p>  <p>Screws x 14</p>	<p>Ⓕ</p>  <p>Felt x 4</p>	<p>Ⓖ</p>  <p>Connector x 5</p>
<p>Ⓚ</p>  <p>Screws x 5</p>	<p>Ⓜ</p>  <p>Felt x 4</p>	<p>Ⓝ</p>  <p>Hex key x 1</p>
<p>Ⓞ</p>  <p>Hex key x 1</p>		

# Assembly Instructions

## Step 1



## Step 2



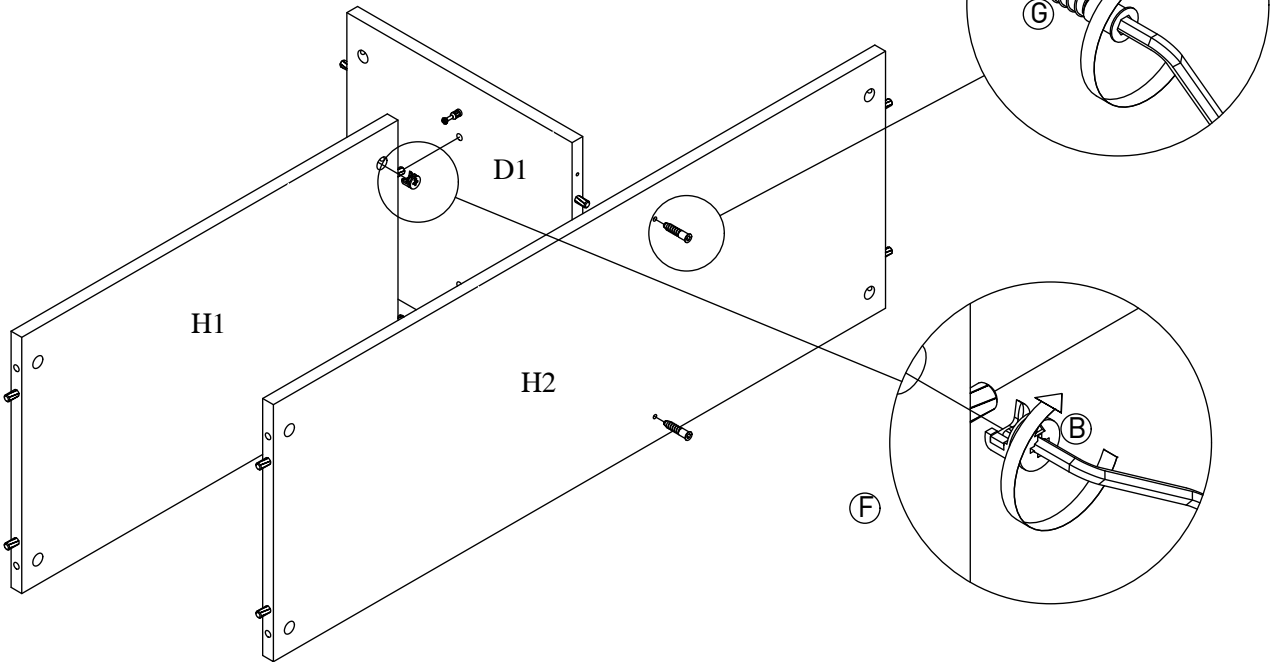
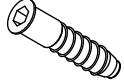
# Assembly Instructions

## Step 3

Ⓑ x2

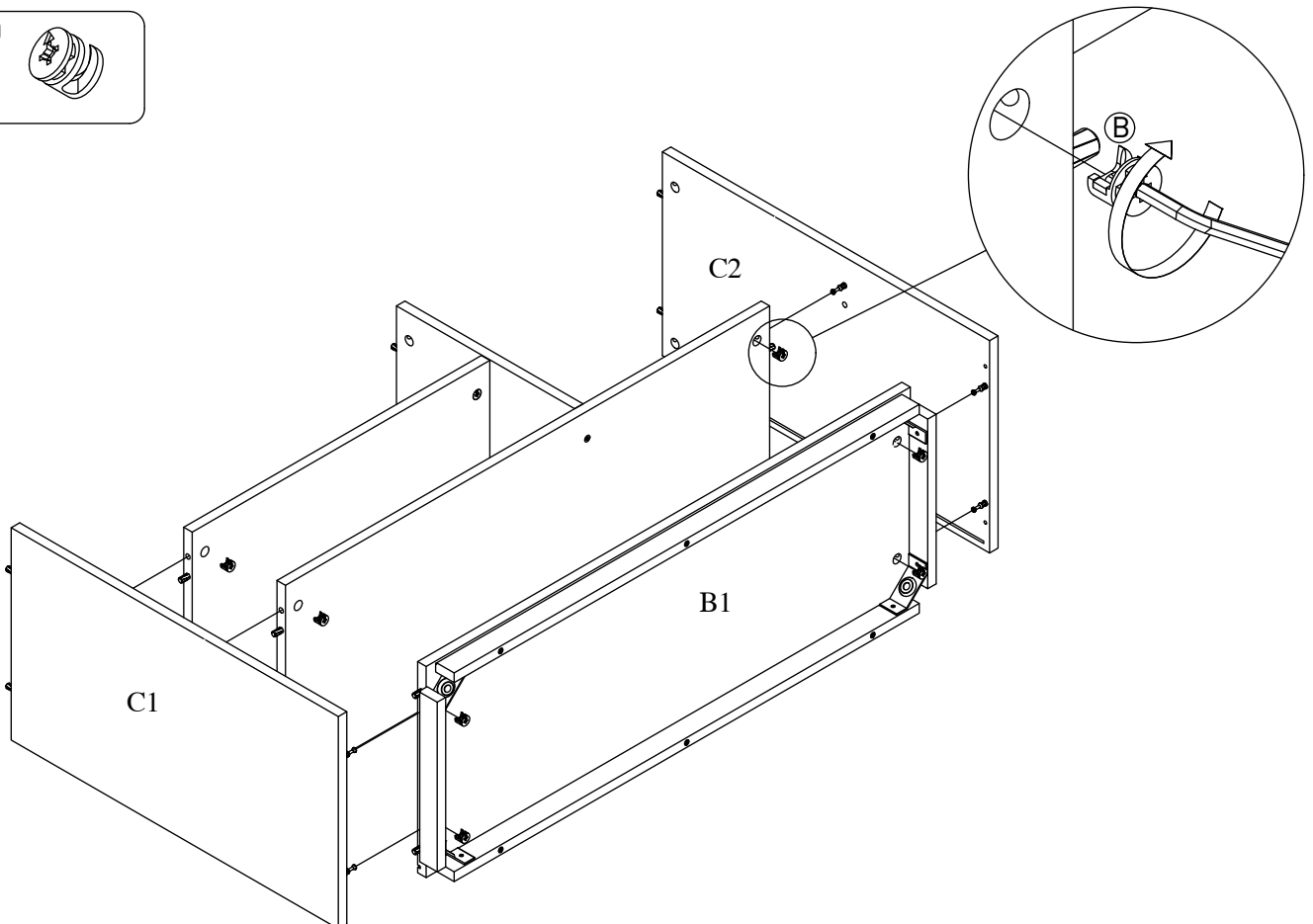


Ⓒ x2



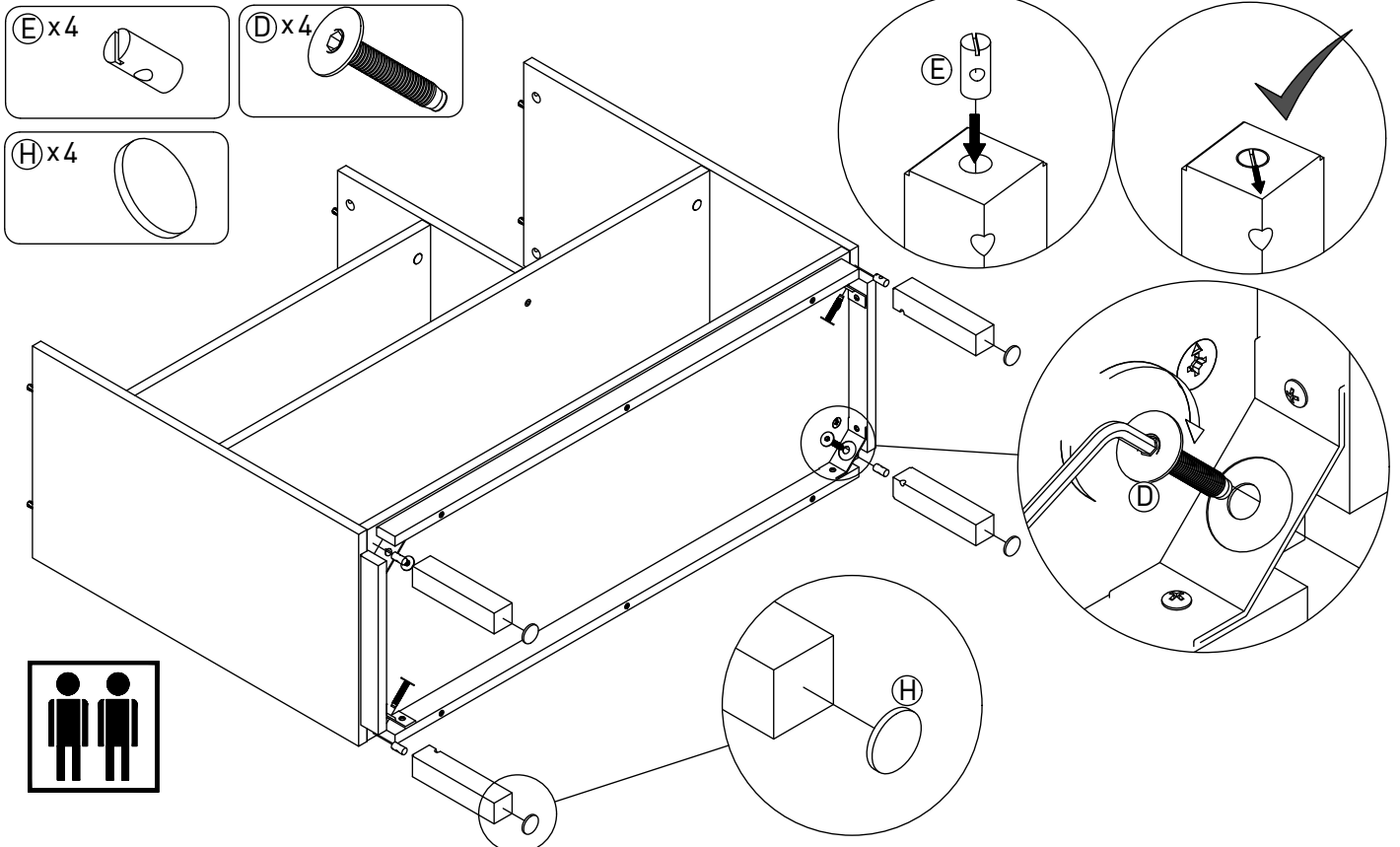
## Step 4

Ⓑ x10

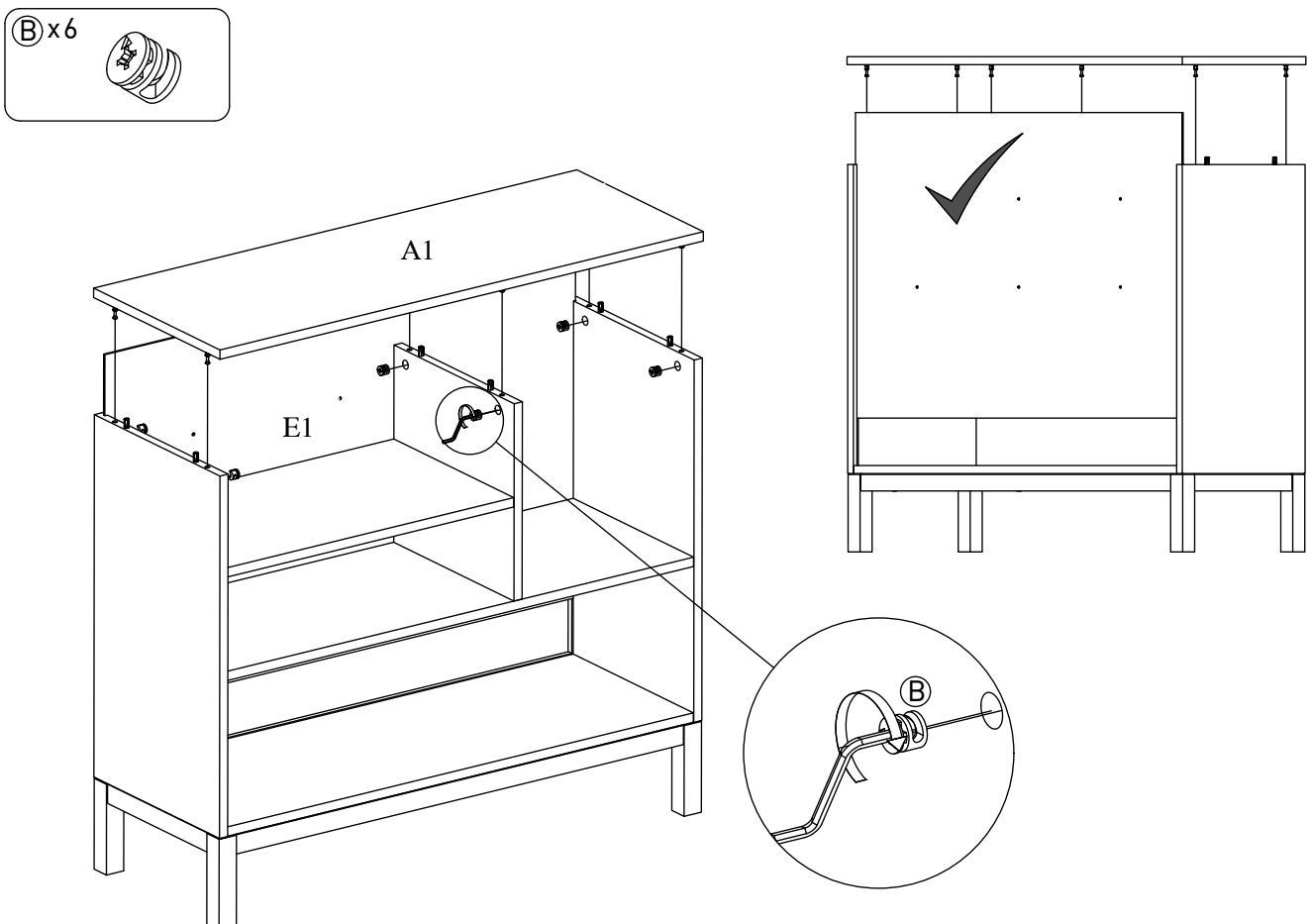


# Assembly Instructions

## Step 5



## Step 6



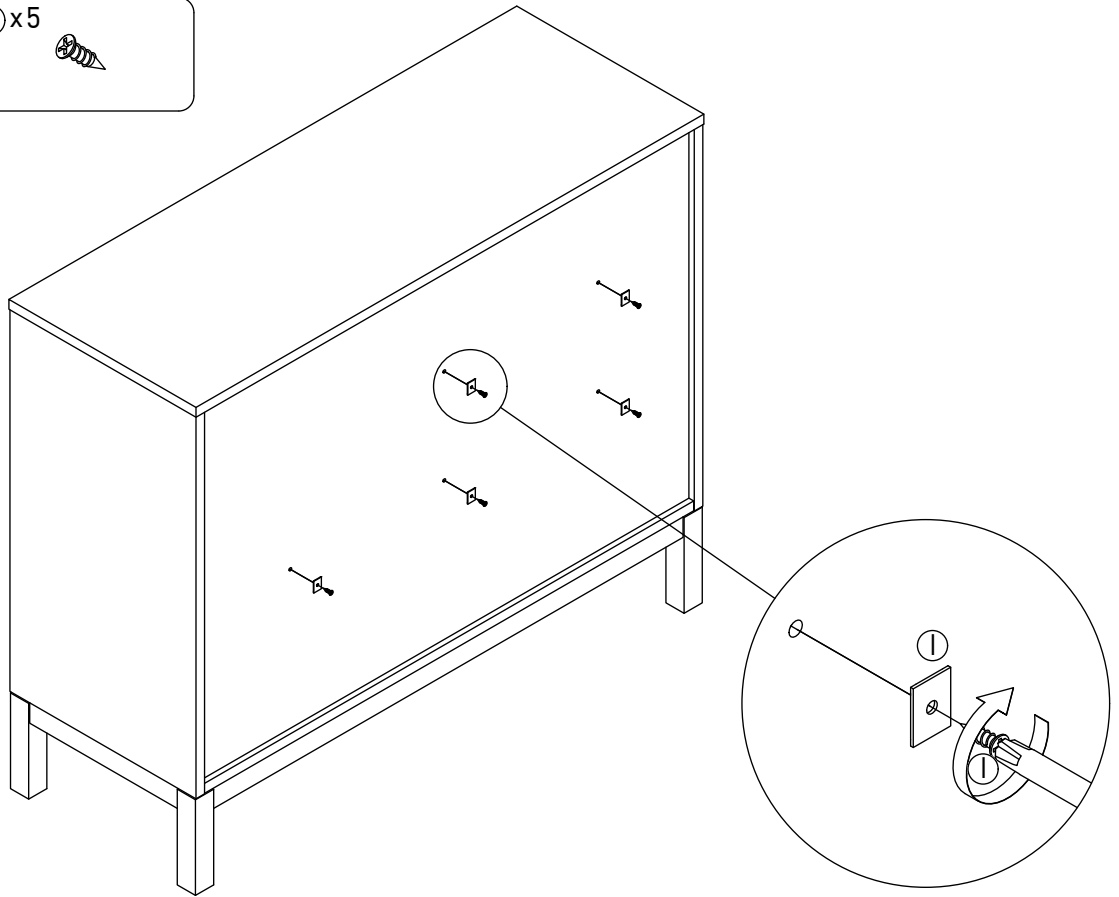
# Assembly Instructions

## Step 7

⊖ x5

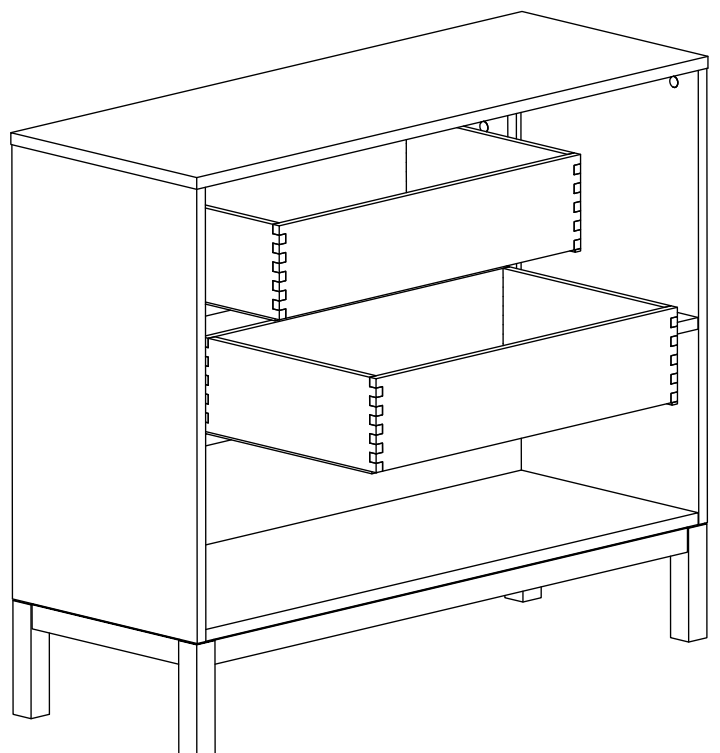
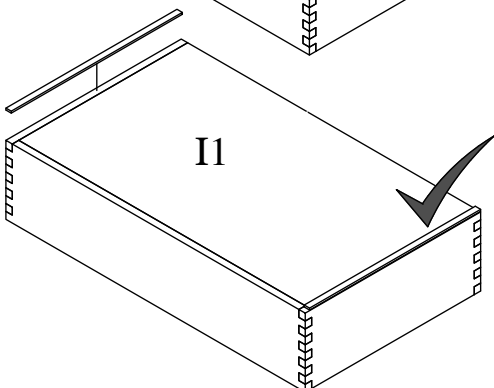
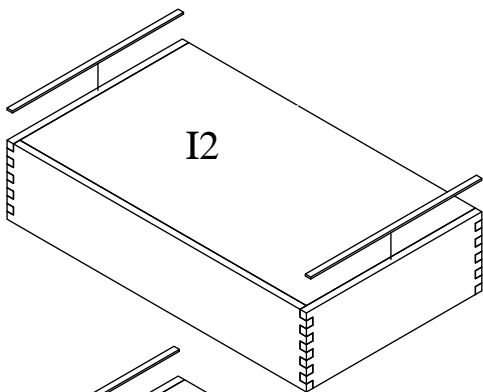


Ⓚ x5



## Step 8

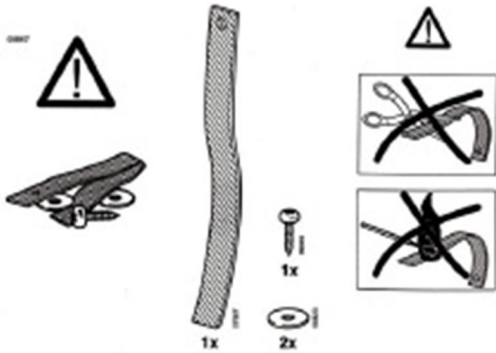
Ⓜ x4





# Assembly Instructions

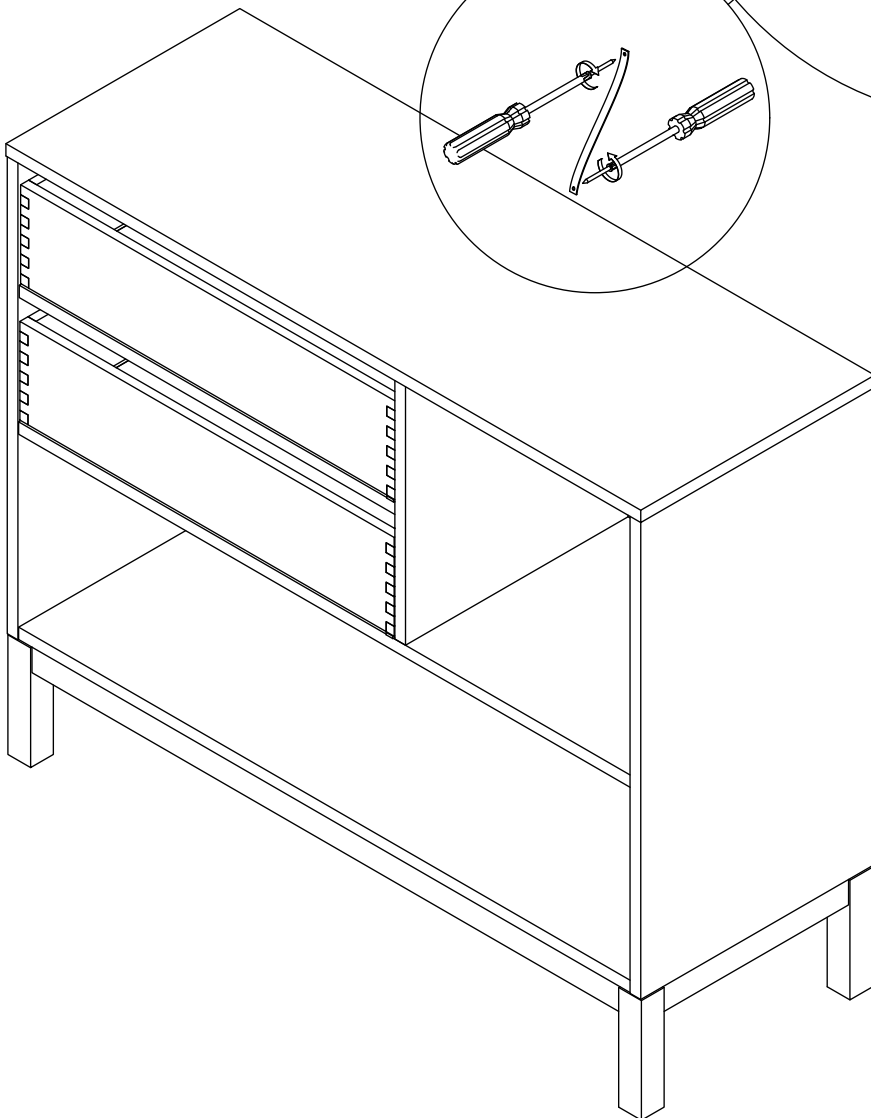
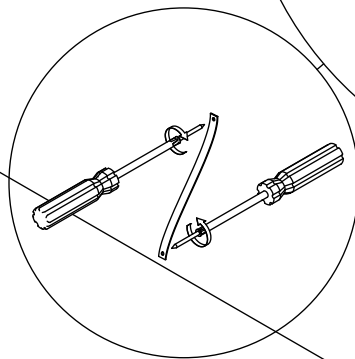
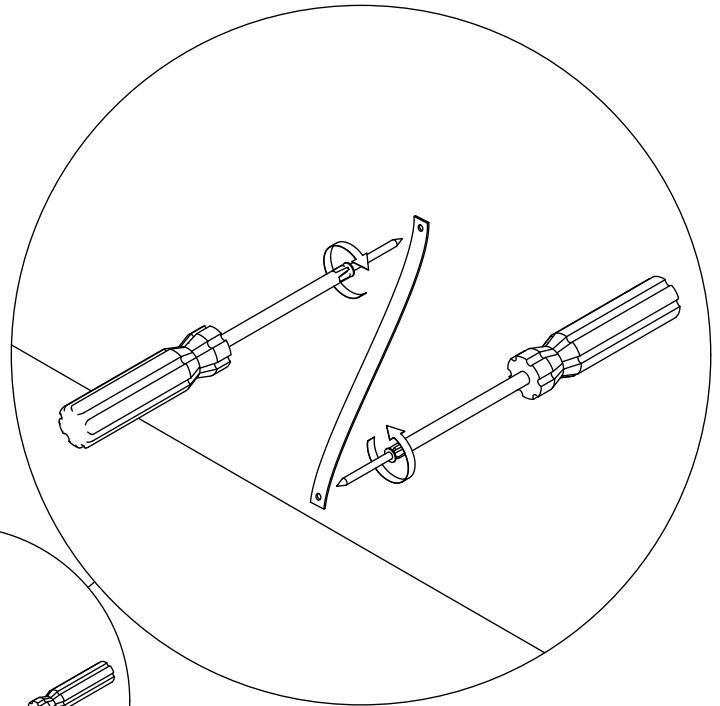
## Step 9



Please Note!  
Wall fixings are not supplied with this unit.

The correct type of fixing must be used for your wall, seek professional advice if in doubt.

Please refer to the Wall Mounting and Fixings Guide at the end of this document.



# A Guide to - Wall Mounting & Fixings

## Important note:

### Wall Fixings:



- because of the variety of different wall types, Habitat cannot provide you with the exact fixings you will need to fix this product to the wall.


You must first identify the type of wall you intend to fix product onto and then contact your local hardware store to get the appropriate fixings.



**Important:** When drilling into walls always check that there are no hidden wires or pipes etc.

Make sure that the screws and wall plugs being used are suitable for supporting your unit. Consult a qualified tradesperson if you are unsure.

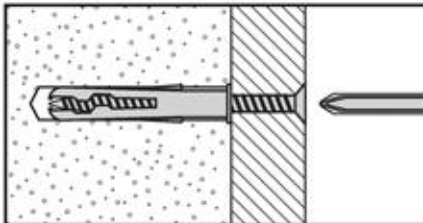
### Hints:

- 1: General rule:**  Always use a larger screw and wall plug if you are not sure.
- 2:** Ensure you use the recommended drill bit to match the wall plug and hole size.
- 3:** Ensure you drill the hole horizontally, do not force the drill or enlarge the hole.
- 4:** Take extra care when drilling high walls, ceilings and ceramic tiles. Ensure wall plugs are inserted beyond the thickness of the ceramic tiles to avoid the tiles splitting or cracking.
- 5:** Ensure wall plugs are well fitted and are a tight fit in the drilled hole.

## Types of walls

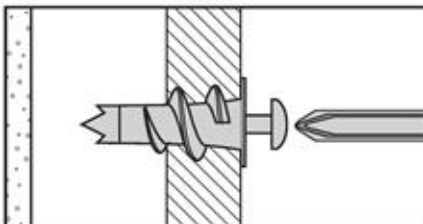
You can use one of the following types of wall plug if your walls are made of brick, breeze block, concrete, stone or wood.

### No.1 "General Purpose" wall plug



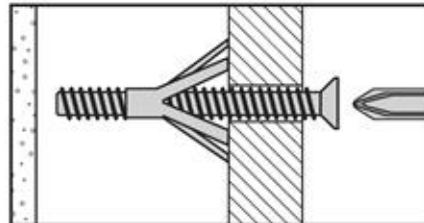
Generally aerated blocks should not be used to support heavy loads, use a specialist fitting in this case. For light loads, general purpose wall plugs can be used.

### No.2 "Plasterboard" wall plug



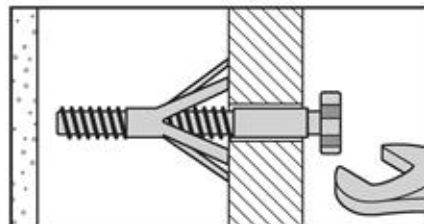
For use when attaching light loads on to plasterboard partitions.

### No.3 "Cavity Fixing" wall plug



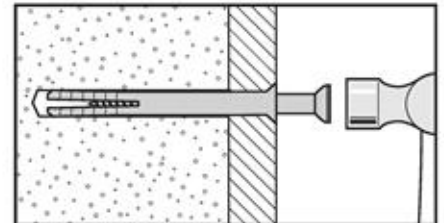
For use with plasterboard partitions or hollow wooden doors.

### No.4 "Cavity Fixing-Heavy Duty" wall plug



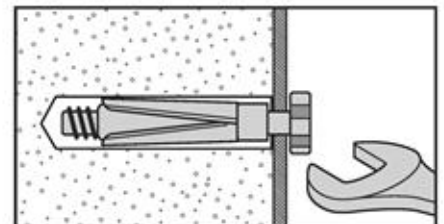
For use when fitting or supporting heavy loads such as shelving, wall cabinets and coat racks.

### No.5 "Hammer Fixing" wall plug



For use with walls stuck with plasterboard. The hammer fixing allows it to be fixed to the wall rather than the plasterboard. Always check the fixing is secure to the retaining wall.

### No.6 "Shield Anchor" wall plug Heavy loads



For use with heavier loads such as TV & HiFi speakers and satellite dishes etc.



## Care & Maintenance

**Safety:** Always check the fitting and location to ensure your safety in and around the home.

**Fitting:** From time to time check the fitting to ensure the wall plugs or screws do not become loose.