

# Assembly Instructions

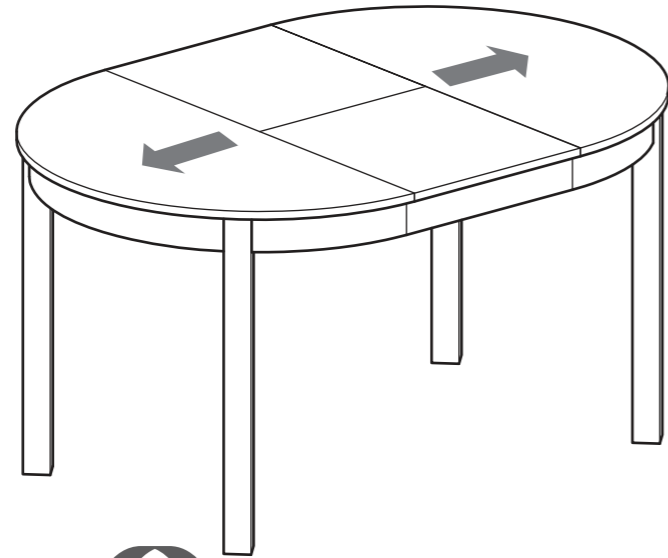
## Close Table

**a:** Release safety locks (see safety lock instruction below) Hold the apron of table to lift the table up and pull the table tops out as shown by the arrows.

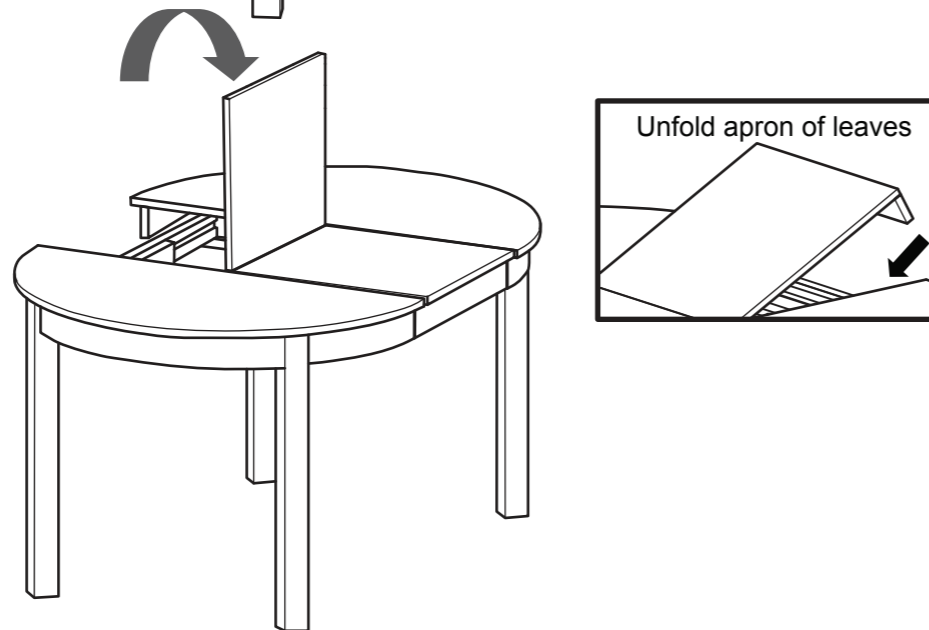
**b:** Close the extension leaves.

**c:** Hold the apron of table to push on both sides of tables as shown by the arrows. Use safety locks to ensure table tops will not move while using. (see safety lock instruction below)

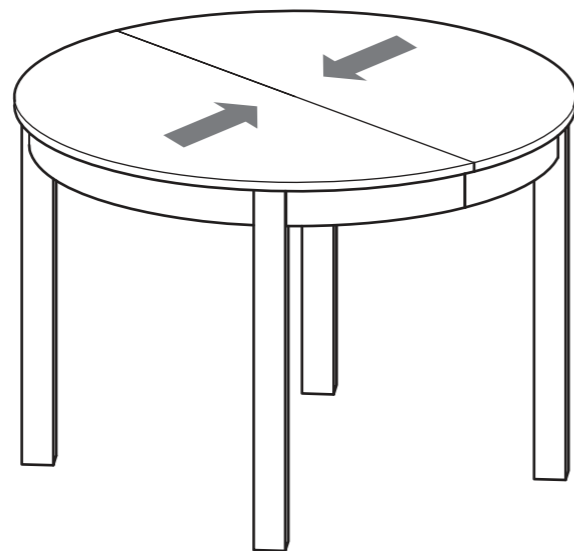
**a:**



**b:**



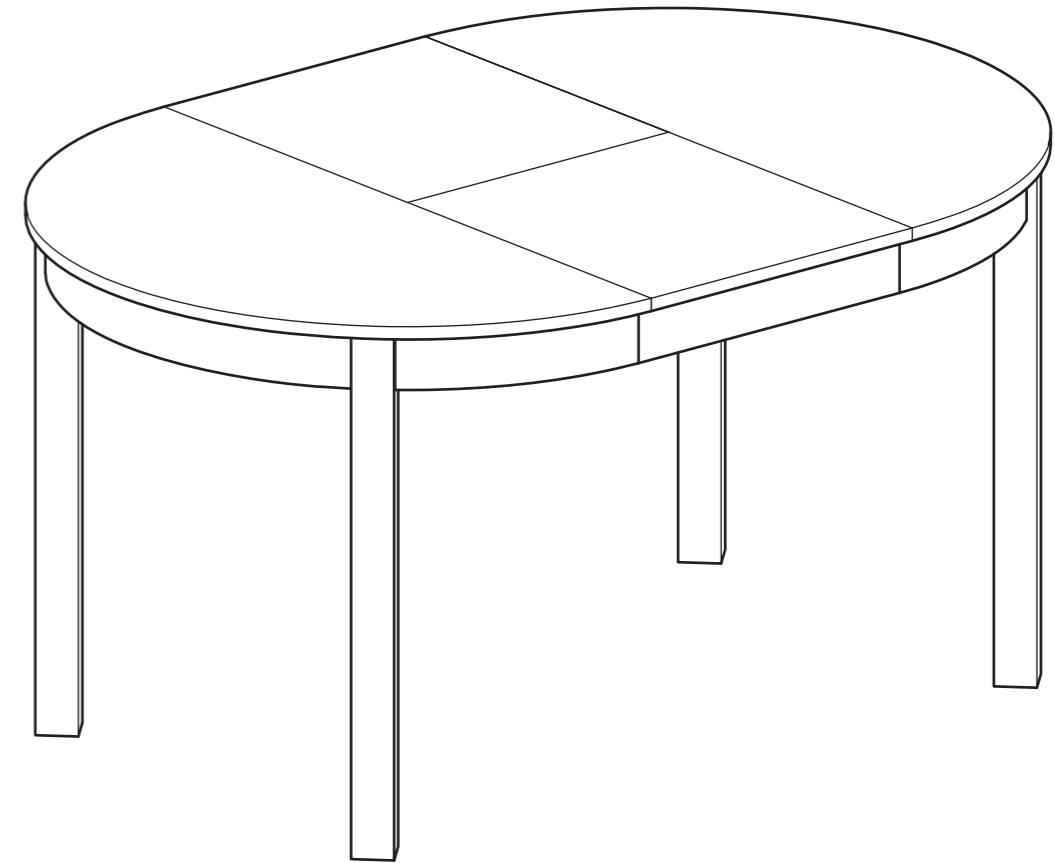
**c:**



# Massey Oval Extendable Table

Assembly Instructions - Please keep for future reference

412/5156



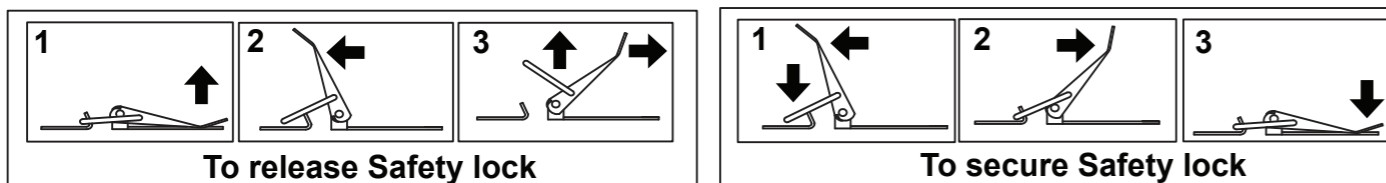
## Dimensions

Width - 115 (166)cm  
Depth - 115cm  
Height - 75cm

**Important – Please read these instructions fully before starting assembly**

If you need help or have damaged or missing parts, call the **Customer Helpline: 0345 640 0800**

## SAFETY LOCK INSTRUCTION.



# ! Safety and Care Advice

## Important – Please read these instructions fully before starting assembly

- Check you have all the components and tools listed on page 2 and 3.

- Remove all fittings from the plastic bags and separate them into their groups.

- Keep children and animals away from the work area, small parts could choke if swallowed.

- Make sure you have enough space to layout the parts before starting.

- During assembly do not stand or put weight on the product, this could cause damage.

- Assemble the item as close to its final position (in the same room) as possible.

- Assemble on a soft level surface to avoid damaging the unit or your floor.

- Parts of the assembly will be easier with 2 people.



- To reduce the likelihood of damaging your product please ensure that your power drill is set on a low torque setting.

power drill is set on a low torque setting.

- Dispose of all packaging carefully and responsibly.

## Care and maintenance

- Only clean using a damp cloth and mild detergent, do not use bleach or abrasive cleaners.

- From time to time check that there are no loose screws on this unit.

- This product should not be discarded with household waste. Take to your local authority waste disposal centre.

## Handy Hints

- Assemble all parts and bolts loosely during assembly, only once the product is complete should you fully tighten the bolts.

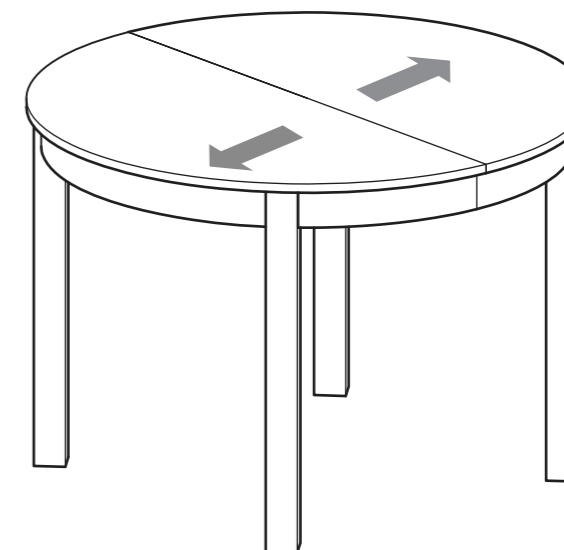
- Regularly check and ensure that all bolts and fittings are tightened properly.

# Assembly Instructions

## Open Table

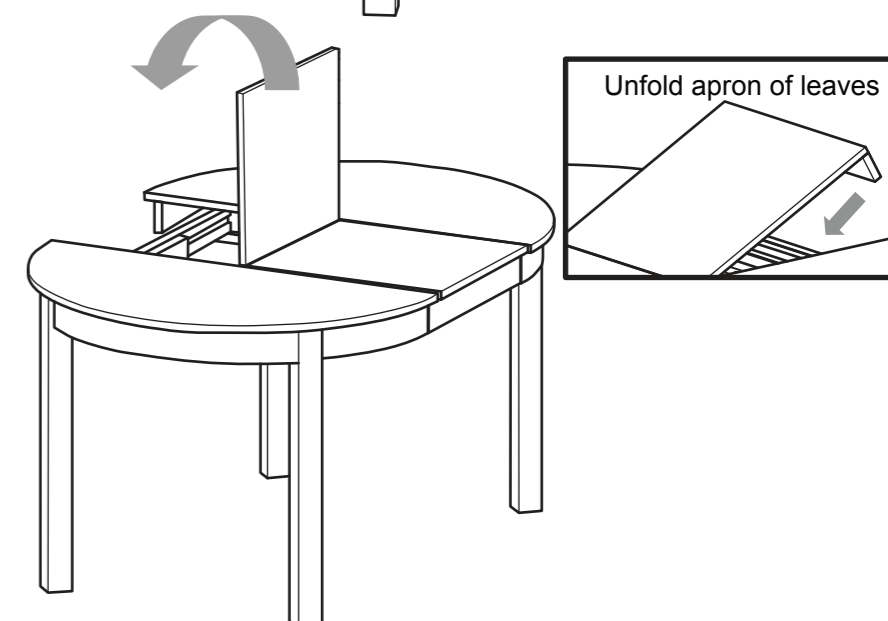
**a:** Release safety locks (see safety lock instruction below) Hold the apron of table to lift the table up and pull the table tops out as shown by the arrows.

**a:**



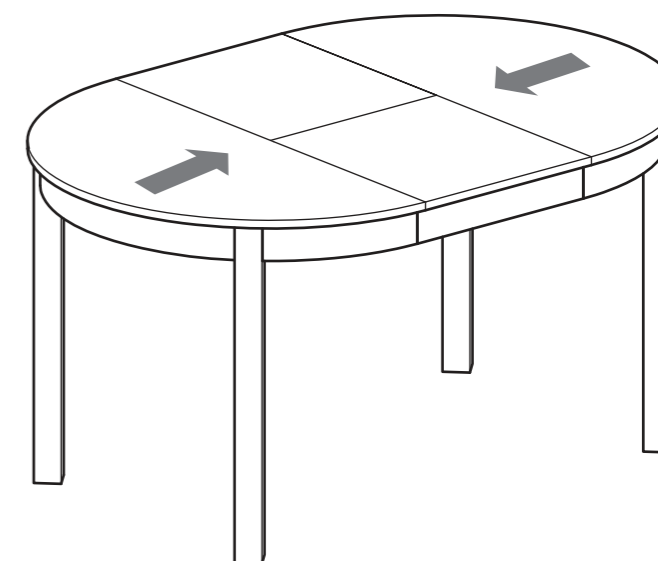
**b:** Make sure left and right side top and extension leaves are flat and aligned.

**b:**

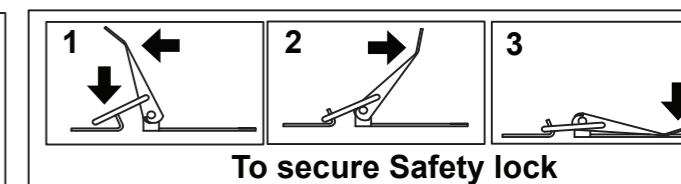


**c:** Hold the apron of table to push on both sides of tables as shown by the arrows. Use safety locks to ensure table tops will not move while using. (see safety lock instruction below)

**c:**



### SAFETY LOCK INSTRUCTION.



# Assembly Instructions

## Step 2

**a:** Attach the legs **2** (x4) to each of the corners, by first step insert spring washers **B** and washers **C** into all the bolts **A**. Then screw the bolts **A** through the corner blocks and into the holes in the legs **2**. Tighten bolts by using the allen key **D**.

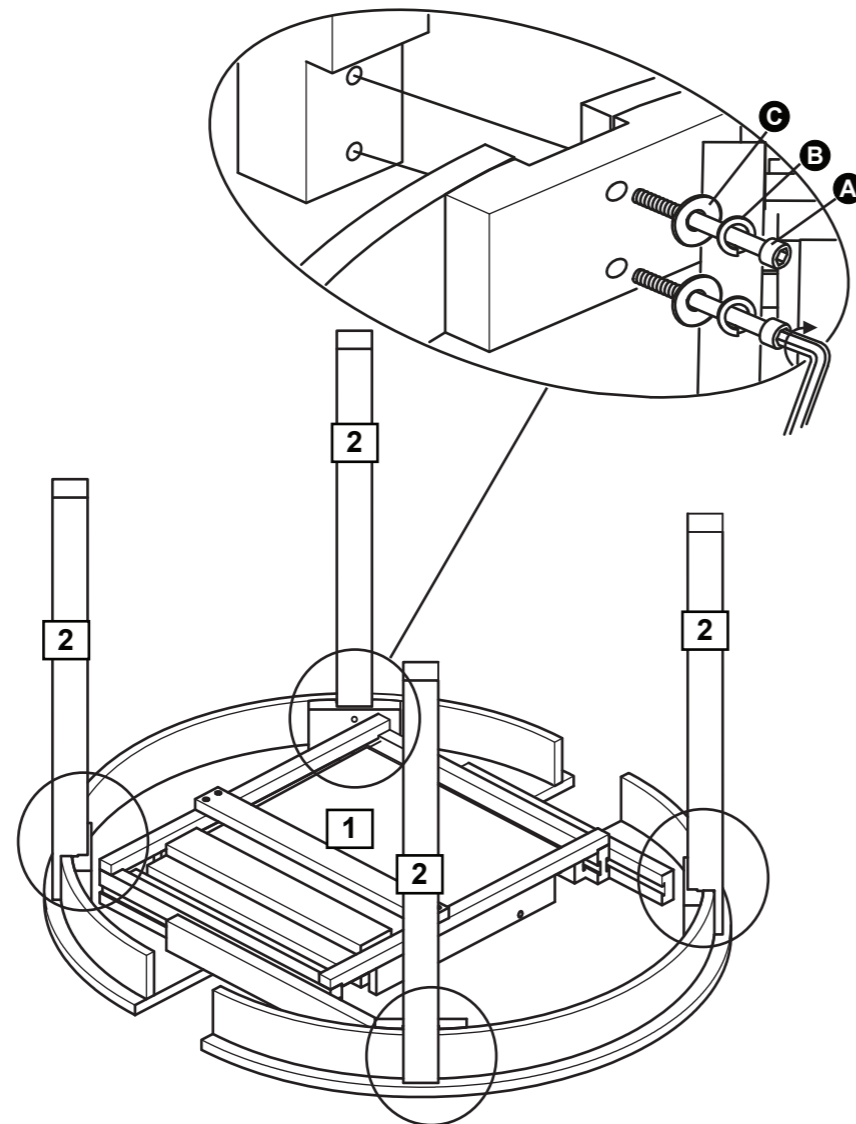
**Fully tighten all bolts.**

**b:** 2 people are required for this next stage.

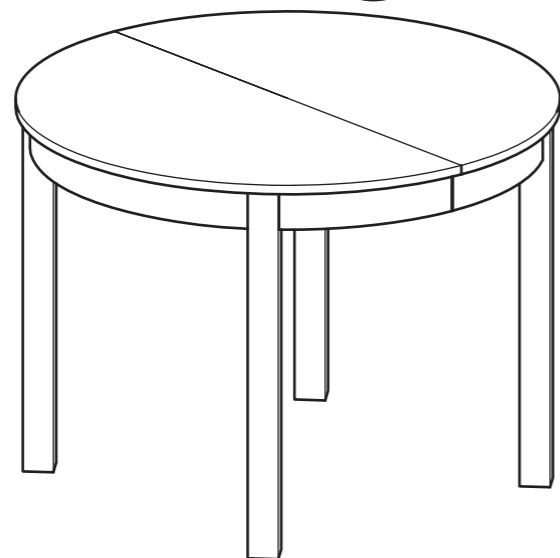
Turn the table upright and place on desired location.

**Assembly is complete.**

**a:**



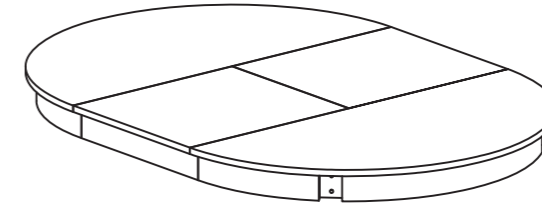
**b:**



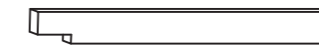
# Components - Parts

If you have damaged or missing components, call the **Customer Helpline: 0345 640 0800**

Please check you have all the parts listed below



**1** Table top x 1



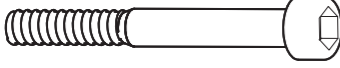



**2** Leg x 4

If you need help or have damaged or missing parts, call the **Customer Helpline: 0345 640 0800**

# Components - Fittings

Please check you have all the fittings listed below

**Note** :The quantities below are the correct amount to complete the assembly. In some cases more fittings may be supplied than are required.

<p><b>A</b> </p> <p>Bolt x 8</p>	<p><b>B</b> </p> <p>Spring washer x 8</p>	<p><b>C</b> </p> <p>Washer x 8</p>
<p><b>D</b> </p> <p>Ball allenkey x 1</p>		

# Assembly Instructions

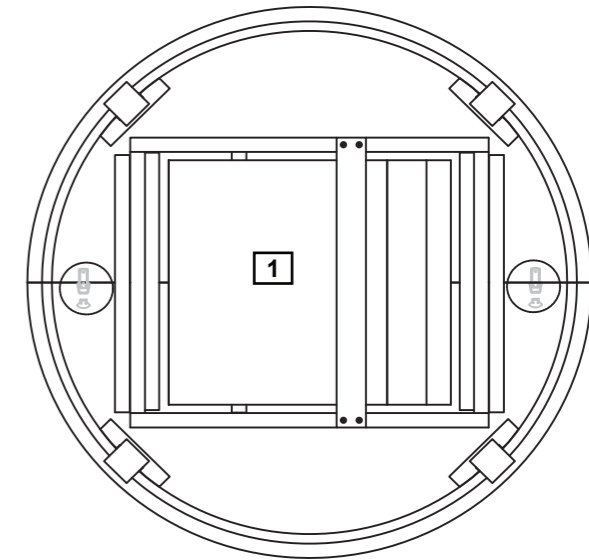
## Step 1

Place table top upside down being careful not to scratch the table top (lift the product within its cardboard packaging will assist you being able to do this)

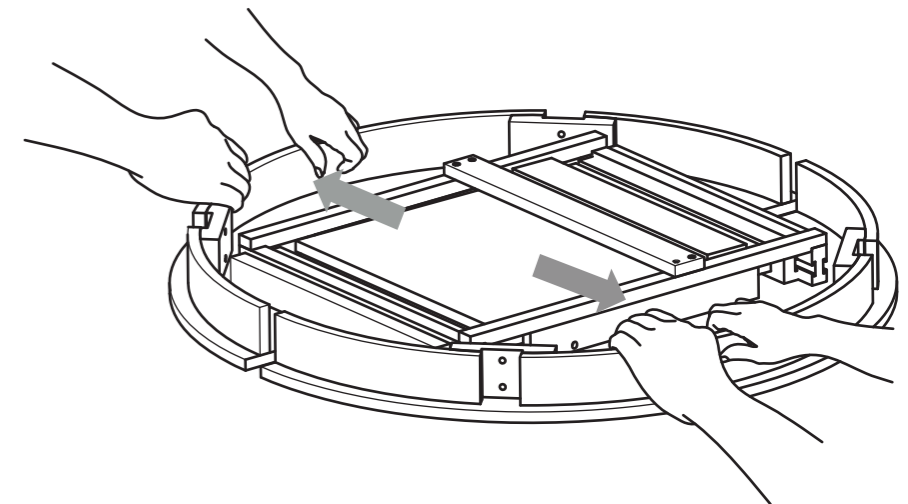
**a:** To release the safety locks.

**b:** To pull the table tops out a little and provide the space for installation of legs as shown by arrows.

**a:**



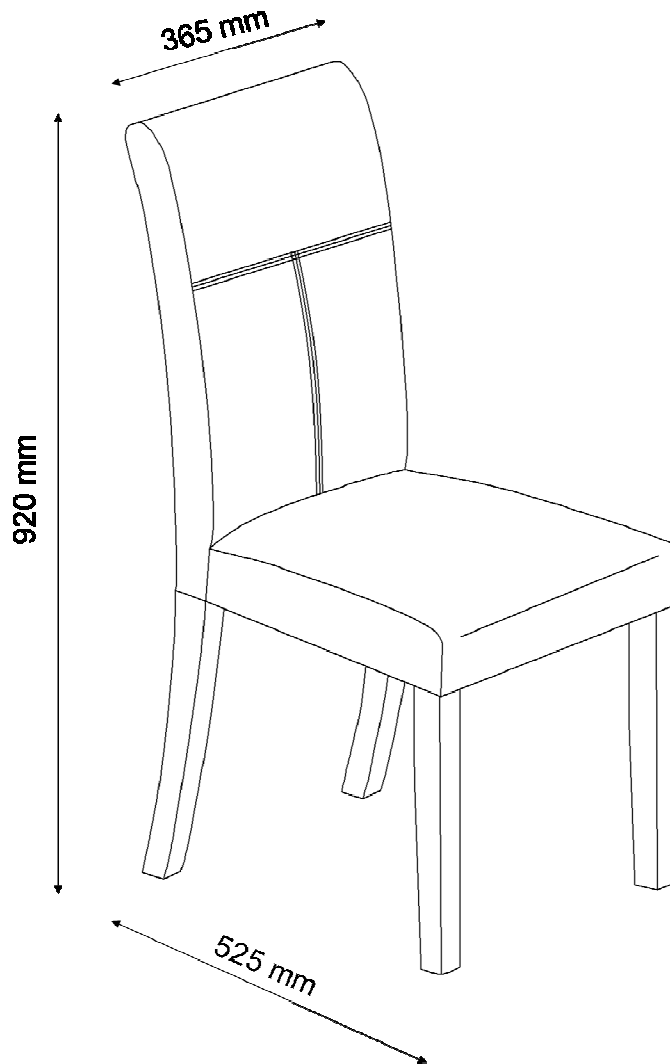
**b:**



# DINING FURNITURE

## Dining Chair

### Easy Assembly Instructions



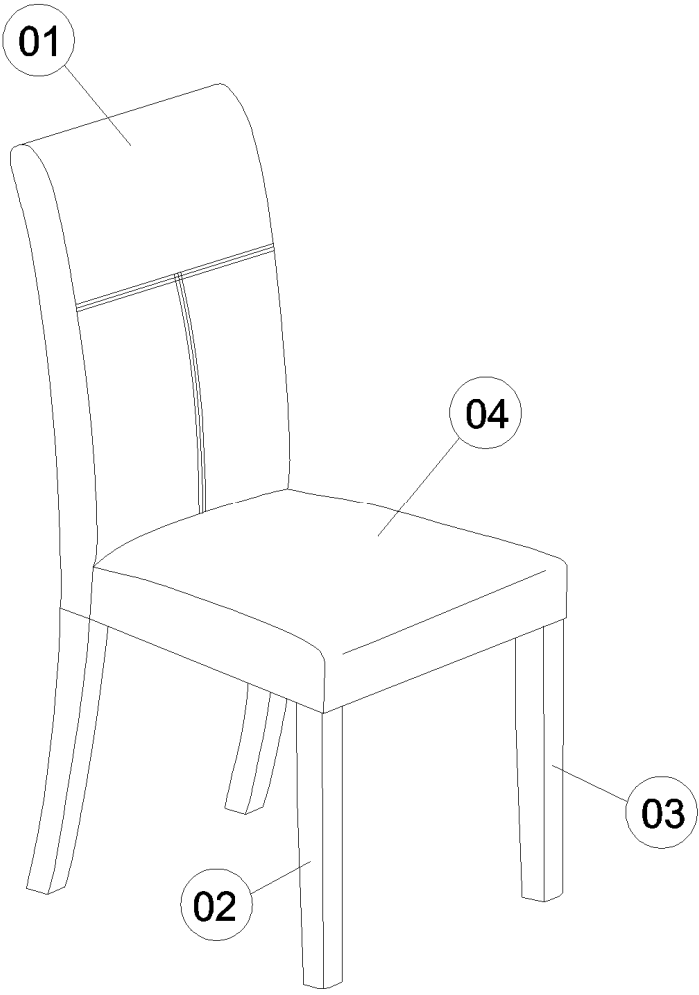
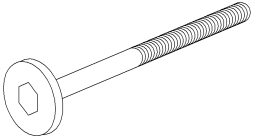
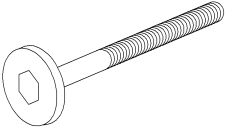
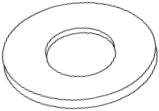
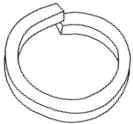
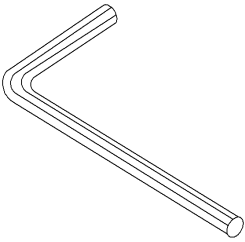
#### **Before you start, here is some helpful advice**

1. We suggest you spend a short time reading through this leaflet and then follow the simple step by step instructions.
2. Do not discard any of the packaging until you have checked that you have all the parts and the pack of fittings.
3. Assemble this product on a carpet.
4. All you will need to assemble this unit is a screwdriver and light hammer.
5. Keep glue and fittings out of children's reach.

Argos Ltd MK9 2NW

**In the unlikely event that this product has missing or damaged parts, please call 0845 640 0800 to obtain spares.**

# Component parts and fittings contained in the box

Chair	Fittings
	<p><b>(A)</b> Bolt 90 mm 8 pcs</p> 
	<p><b>(B)</b> Bolt 55 mm 10 pcs</p> 
	<p><b>(C)</b> Washer 18 pcs</p> 
	<p><b>(D)</b> Spring washer 16 pcs</p> 
	<p><b>(F)</b> Hex Key 1 pc</p> 
	<p><b>Total: 08 Parts for 2 chairs</b></p>

# ASSEMBLY - STAGE ONE

## Chair Assembly



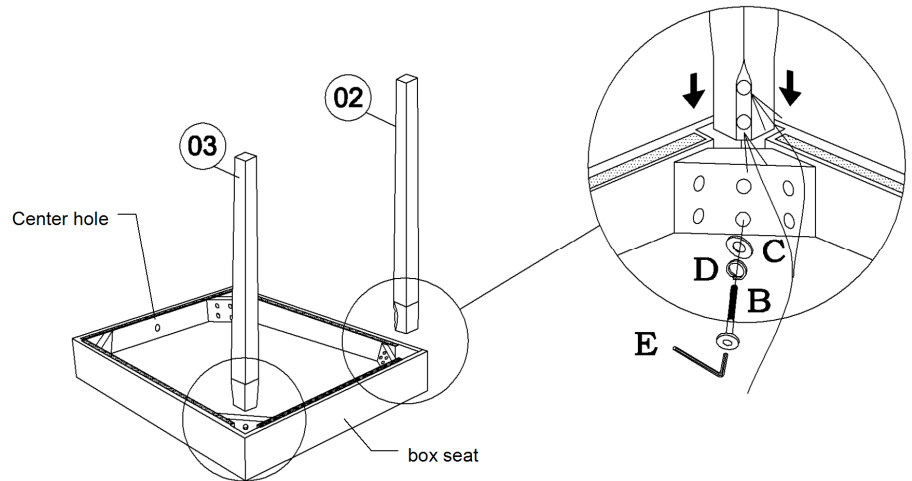
- 1.** Locate the corners of the box seat opposite to the center hole.

Insert the legs 02 and 03 into the corners of the box seat.

Insert two bolts B, spring washers D and washers C through the each corner block of the box seat 04.

Tighten the bolts.

**1**

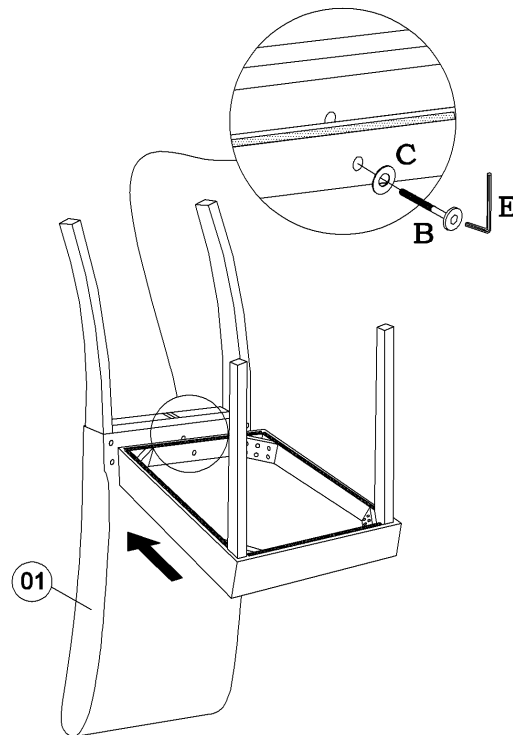


- 2.** Place the box seat on the back frame 01.

Assemble the bolt B and washer C onto the back frame.

Do not tighten the bolt at this point.

**2**



# ASSEMBLY - STAGE ONE

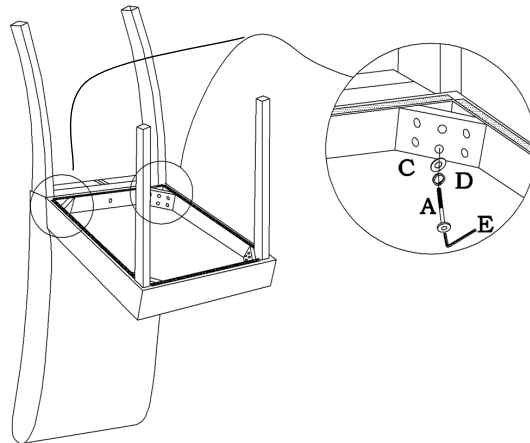


## Chair Assembly

- 3.** Assemble two bolts A, spring washers D and washers C through each corner block of the box seat to the back frame.

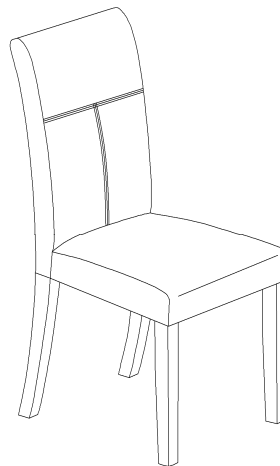
Do not tighten the bolts at this point in time.

**3**



- 4.** Carefully turn the chair over, and put the chair on the floor.

**4**



- 5.** Tighten each loose bolt a little at a time while making sure the chair remains level. Repeat until all loose bolts are tight.