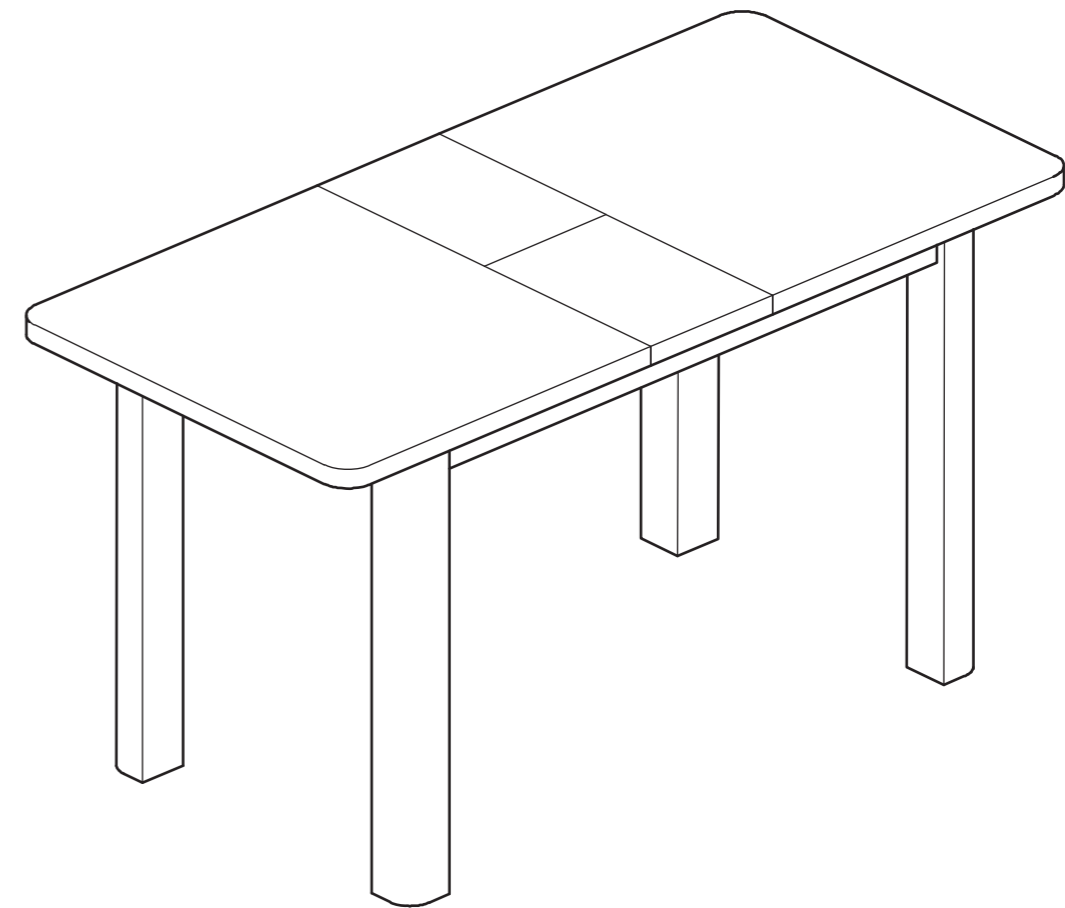


Shenley Extendable Table

Assembly Instructions - Please keep for future reference

392/2628



Dimensions

Width - 150 (180)cm
Depth - 90cm
Height - 75cm

Important – Please read these instructions fully before starting assembly

If you need help or have damaged or missing parts, call the **Customer Helpline: 0345 640 0800**

! Safety and Care Advice

Important – Please read these instructions fully before starting assembly

- Check you have all the components and tools listed on page 2 and 3.

- Remove all fittings from the plastic bags and separate them into their groups.

- Keep children and animals away from the work area, small parts could choke if swallowed.

- Make sure you have enough space to layout the parts before starting.

- During assembly do not stand or put weight on the product, this could cause damage.

- Assemble the item as close to its final position (in the same room) as possible.

- Assemble on a soft level surface to avoid damaging the unit or your floor.

- Parts of the assembly will be easier with 2 people.



- To reduce the likelihood of damaging your product please ensure that your

power drill is set on a low torque setting.

- Dispose of all packaging carefully and responsibly.

Care and maintenance

- Only clean using a damp cloth and mild detergent, do not use bleach or abrasive cleaners.

- From time to time check that there are no loose screws on this unit.

- This product should not be discarded with household waste. Take to your local authority waste disposal centre.

Handy Hints

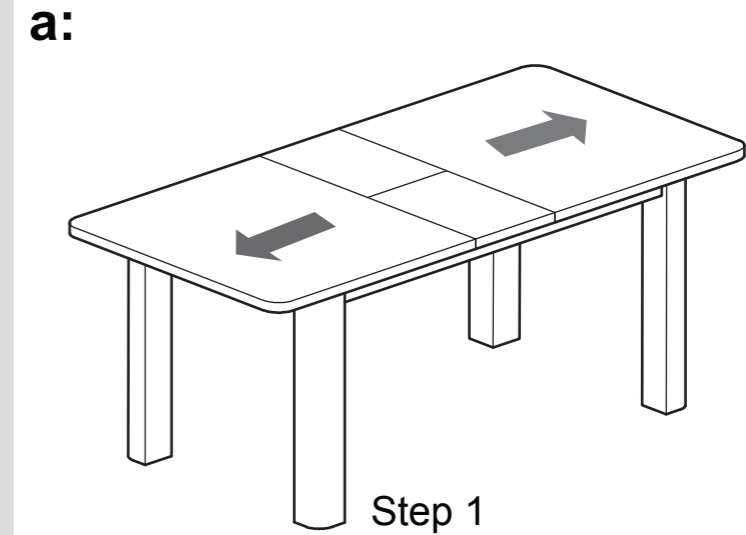
- Assemble all parts and bolts loosely during assembly, only once the product is complete should you fully tighten the bolts.

- Regularly check and ensure that all bolts and fittings are tightened properly.

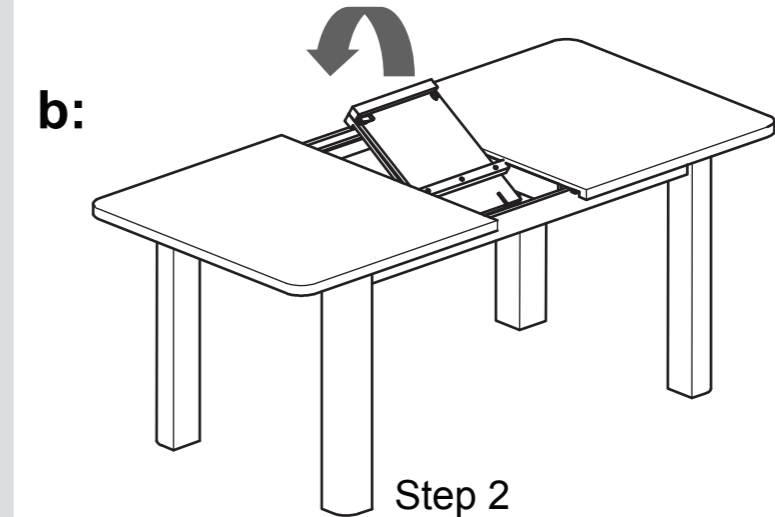
Assembly Instructions

Close table

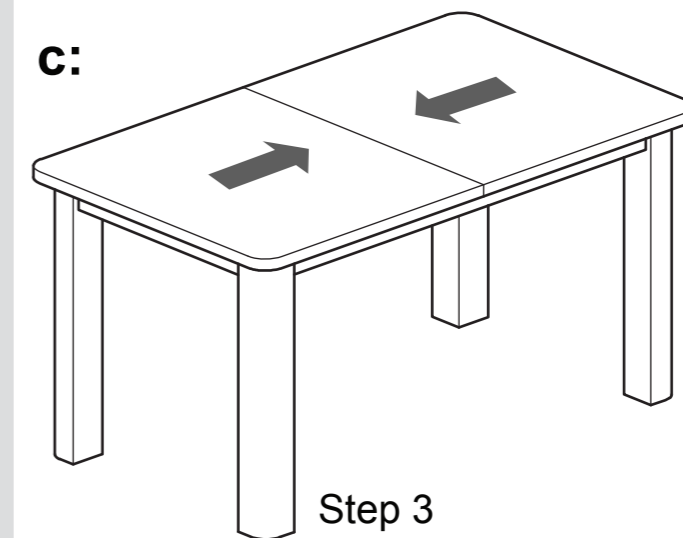
a: Release safety locks (see safety lock instruction below) Hold the top of table to lift the table up and pull the table tops out as shown by the arrows.



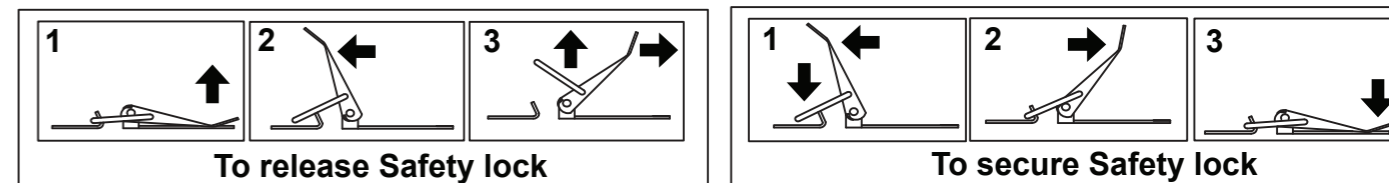
b: Close the extension leaves.



c: Hold the table top to push on both sides of tables as shown by the arrows. Use safety locks to ensure table tops will not move while using. (see safety lock instruction below)



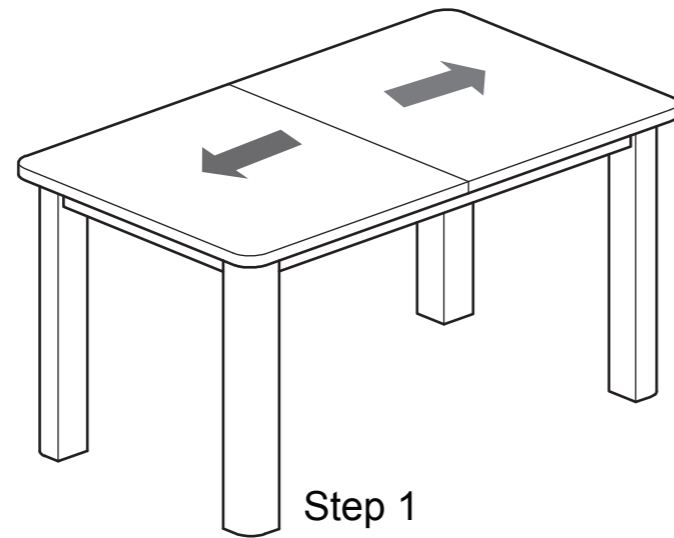
SAFETY LOCK INSTRUCTION.



Assembly Instructions

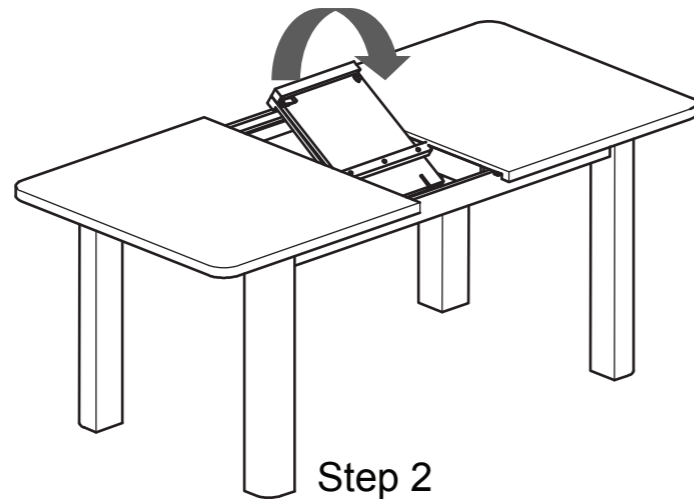
Open table

a: Release safety locks (see safety lock instruction below) Hold the top of table to lift the table up and pull the table tops out as shown by the arrows.



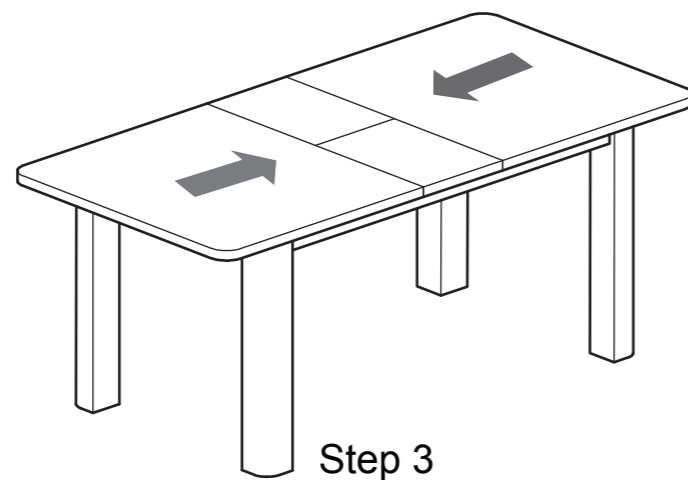
Step 1

b: Close the extension leaves.



Step 2

c: Hold the top of table to push on both sides of tables as shown by the arrows. Use safety locks to ensure table tops will not move while using. (see safety lock instruction below)

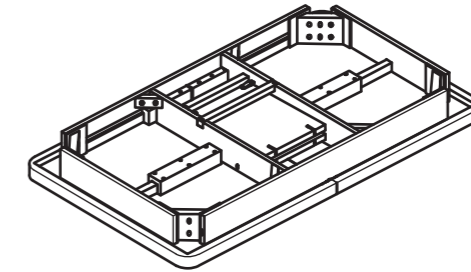


Step 3

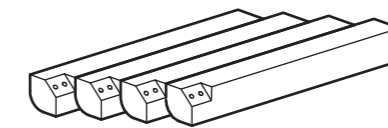
Components - Parts

If you have damaged or missing components, call the **Customer Helpline: 0345 640 0800**

Please check you have all the parts listed below



1 Table top x 1

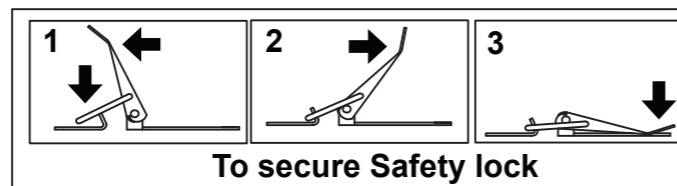


2 Leg x 4

SAFETY LOCK INSTRUCTION.



To release Safety lock

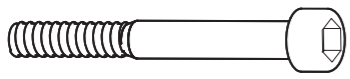





To secure Safety lock

Components - Fittings

Please check you have all the fittings listed below

Note :The quantities below are the correct amount to complete the assembly. In some cases more fittings may be supplied than are required.

<p>A </p> <p>Bolt x 8</p>	<p>B </p> <p>Spring washer x 8</p>	<p>C </p> <p>Washer x 8</p>
<p>D </p> <p>Allen key x 1</p>		

Assembly Instructions

Step 1

Place table top upside down being careful not to scratch the table top (lift the product within its cardboard packaging will assist you being able to do this)

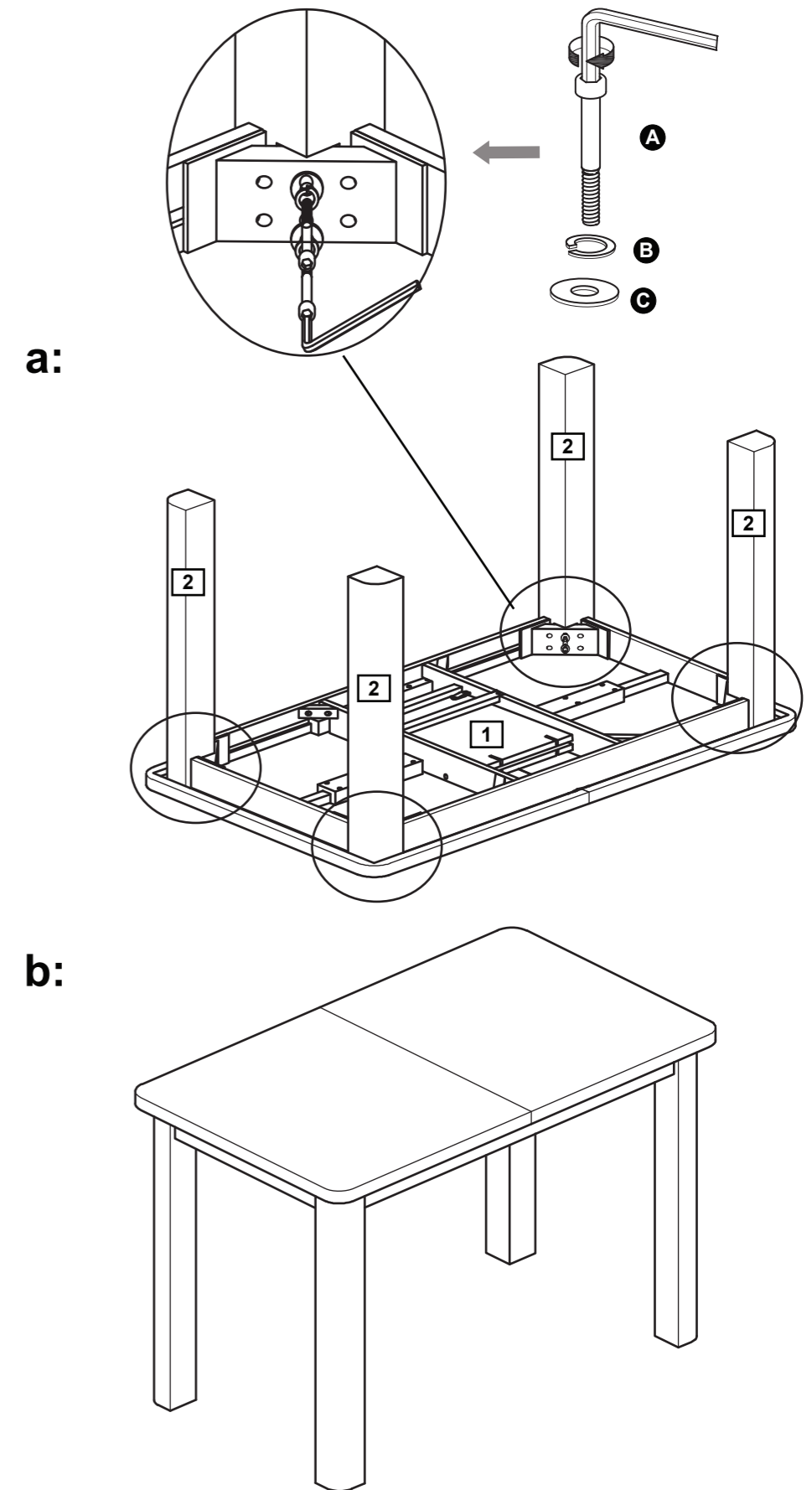
a: Attach the legs **2** (x4) to each of the corners, by first step insert spring washers **B** and washers **C** into all the bolts **A**. Then screw the bolts **A** through the corner blocks and into the holes in the legs **2**. Tighten bolts by using the allen key **D**.

Fully tighten all bolts.

b: 2 people are required for this next stage.

Turn the table upright and place on desired location.

Assembly is complete.



If you need help or have damaged or missing parts, call the **Customer Helpline: 0345 640 0800**

Dining Chair

Assembly Instructions - Please keep for future reference

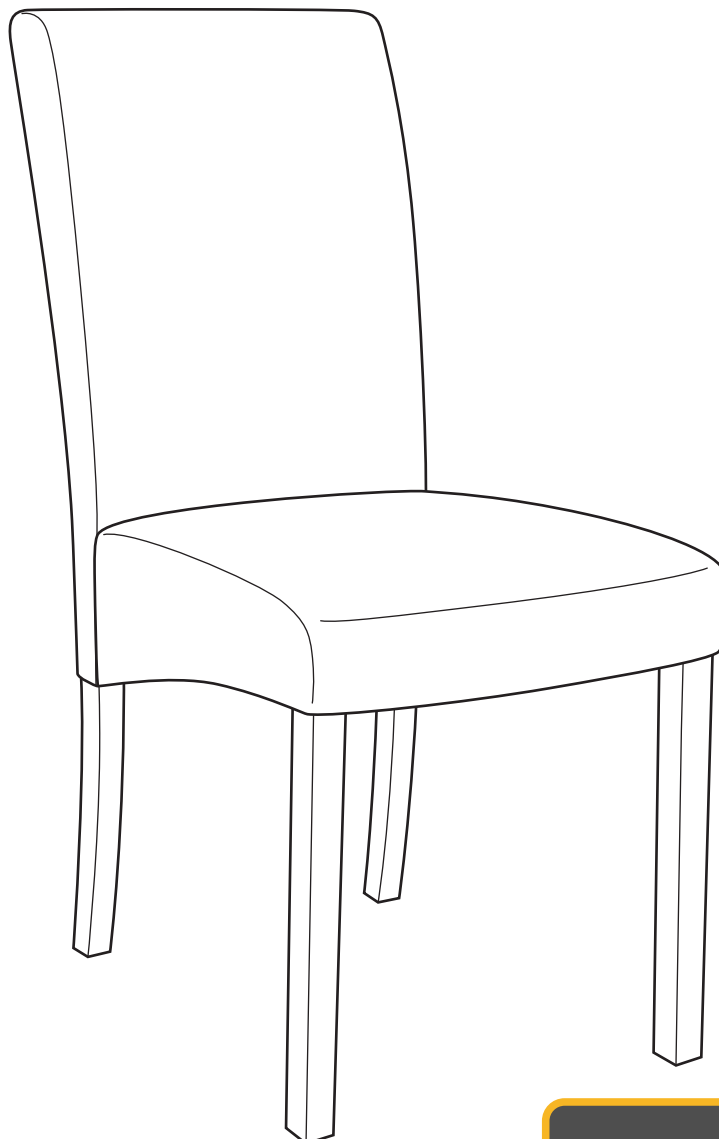
258/1905

237/9791

391/5525

417/6181

424/2778



Dimensions

Width - 44cm

Depth - 56cm

Height - 95cm



Stabilyne seat:
Patented, Recyclable & just plain **TOUGH!**

Important - Please read these instructions fully before starting assembly

If you need help or have damaged or missing parts, call the **Customer Helpline:**
Argos = 0345 640 0800



Safety and Care Advice

Important - Please read these instructions fully before starting assembly

- Check you have all the components and tools listed on the following pages.
- Remove all fittings from the plastic bags and separate them into their groups.
- Keep children and animals away from the work area, small parts could choke if swallowed.
- Make sure you have enough space to layout the parts before starting.
- During assembly do not stand or put weight on the product, this could cause damage.

- Assemble the item as close to its final position (in the same room) as possible.
- Assemble on a soft level surface to avoid damaging the unit or your floor.
- Parts of the assembly will be easier with 2 people.
- Do not stand on the chair.
- Do not use the chair as a step ladder.
- Unit weight: 5.3 kgs.
- Maximum safe weight of user: 110kgs.



- To reduce the likelihood of damaging your product please ensure that your power drill is set on a low torque setting.

Care and maintenance

- Only clean using a damp cloth and mild detergent, do not use bleach or abrasive cleaners.
- From time to time check that there are no loose screws on this unit.
- This product should not be discarded with household waste. Take to your local authority waste disposal centre.

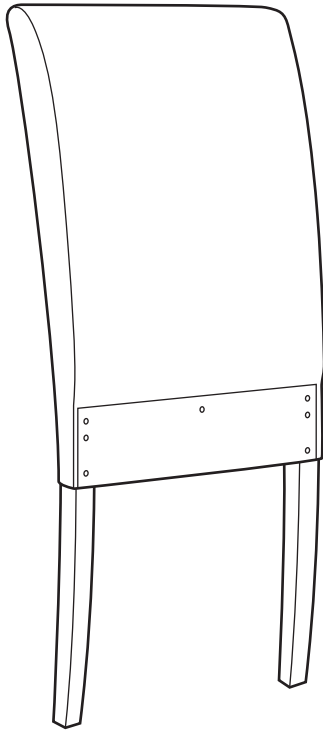
Handy Hints

- Assemble all parts and bolts loosely during assembly, only once the product is complete should you fully tighten the bolts.
- Regularly check and ensure that all bolts and fittings are tightend properly.

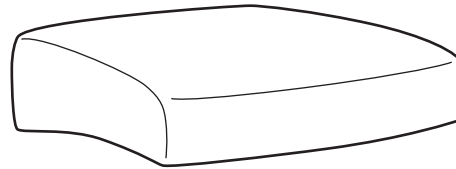
Components - Parts

If you have damaged or missing components, call the
Customer Helpline: Argos = 0345 640 0800

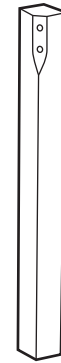
Please check you have all the parts listed below



1 Backrest
(36 x 10.5 x 95cm)



2 Seat
(44 x 41.5 x 17cm)

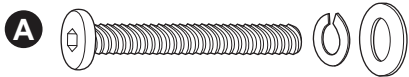


3 Leg x 2
(3 x 3 x 43cm)

Components - Fittings

Please check you have all the fittings listed below

Note: The quantities below are the correct amount to complete the assembly. In some cases more fittings may be supplied than are required.



A M6 x 50mm Bolt with
spring washer & flat washer x 11



B Allen key x 1



C Foot pad x 4

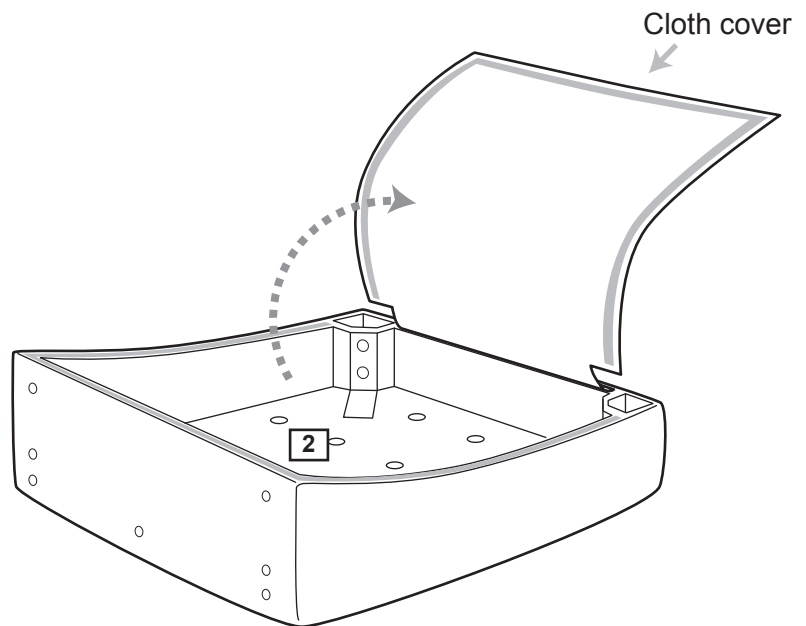
Assembly Instructions

Step 1

Opening cloth cover

Place the backrest **2** on a flat protected surface.

Carefully peel off bottom cloth cover of seat by pulling the cloth from the back side of the seat as shown.



Step 2

Attaching legs

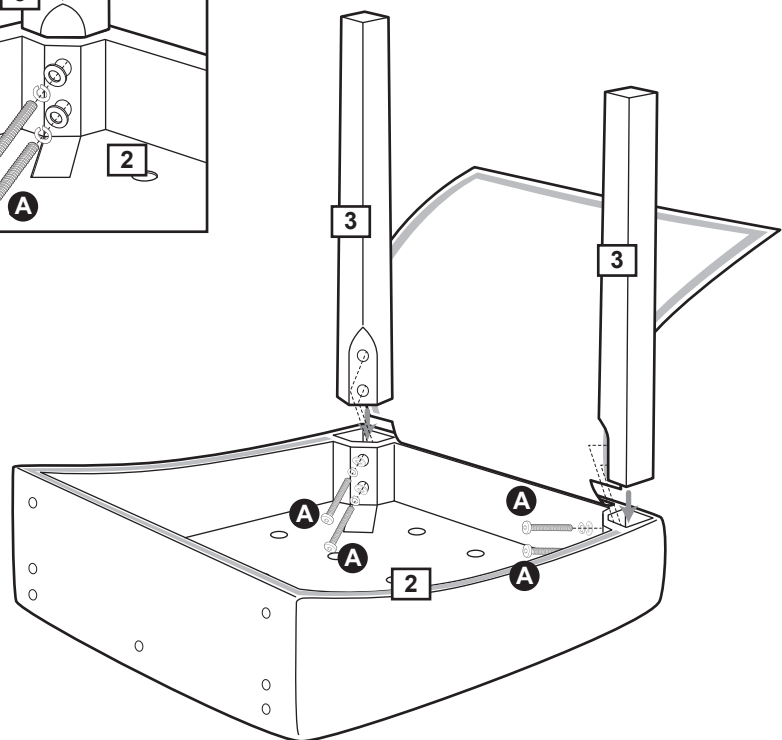
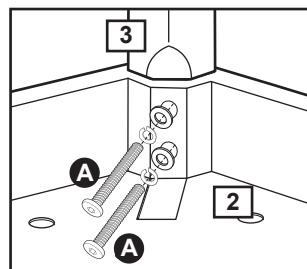
Insert the legs **3** into the holes of the seat **2** as shown and fix using bolts with spring washers & flat washers **A**.



Important:

Fasten bolts using allen key **B** but do not fully tighten at this stage.

Use oval head of allen key when tightening bolts on corner positions.



Assembly Instructions

Step 3

Attaching the seat

Place the backrest **1** on a flat protected surface as shown.

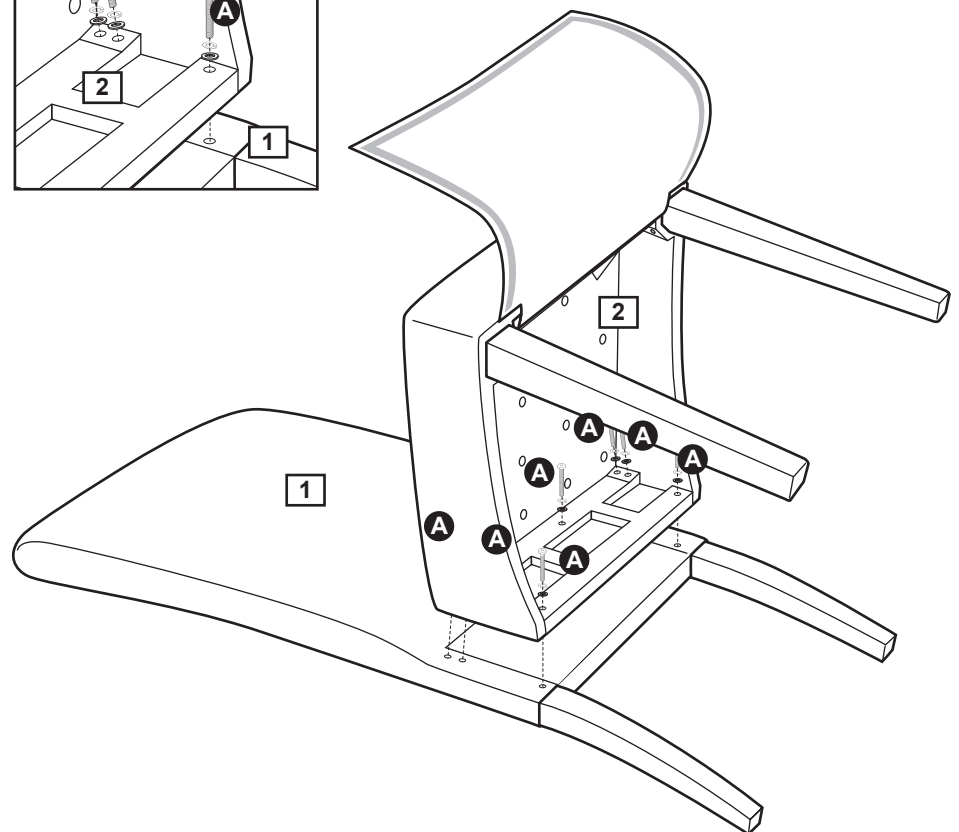
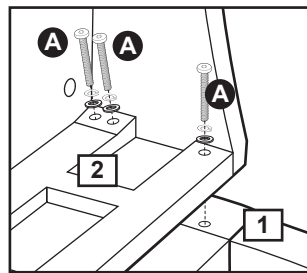
Position the seat **2** on the backrest **1** as shown and fix using bolts with spring washers & flat washers **A**.



Important:

Fasten bolts using allen key **B** but do not fully tighten at this stage.

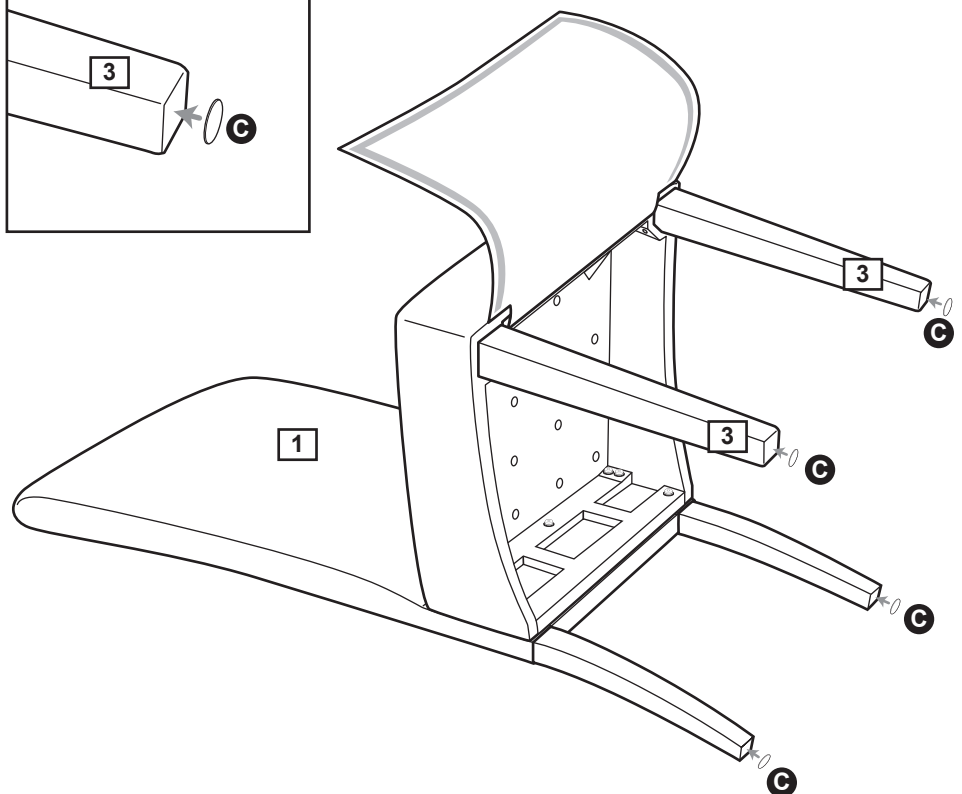
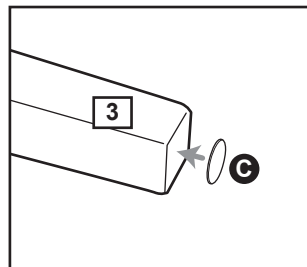
Use oval head of allen key when tightening bolts on corner positions.



Step 4

Attaching foot pads

Remove backing from foot pads **C** and carefully position on the bottom of the legs **1** & **3** as shown.



Assembly Instructions

Step 5

Aligning & securing the legs

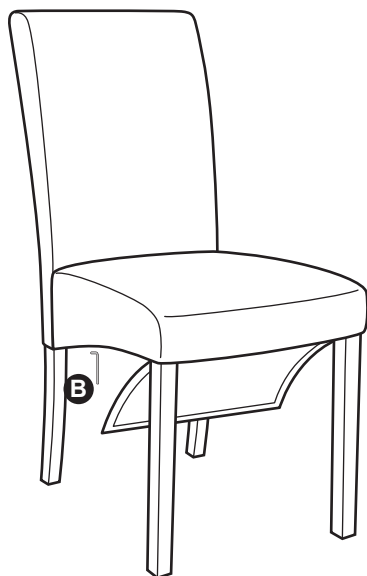
Carefully turn the chair upright and place on a flat surface.

a: Tighten all bolts using allen key **B**.

Note: Use oval head of allen key when tightening bolts on corner positions.

Note: This step is essential to prevent the chair from wobbling due to uneven legs.

a:



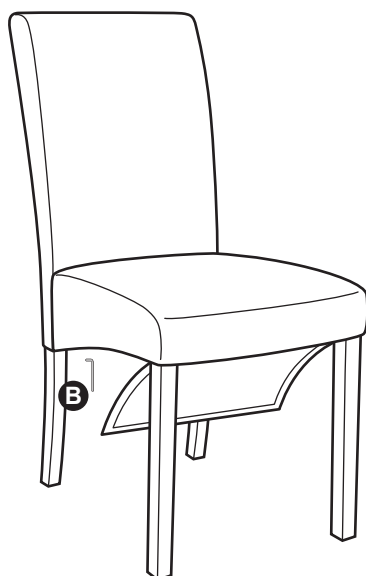
b: Carefully sit on the chair and make adjustments to ensure the legs are flat even on the floor.

c: After the sitting test, re-tighten bolts again if any adjustment is needed.

Note: It is highly recommended to re-tighten all bolts after using the chair for 7 days.

Note: Keep allen key to re-tighten bolts when required.

c:

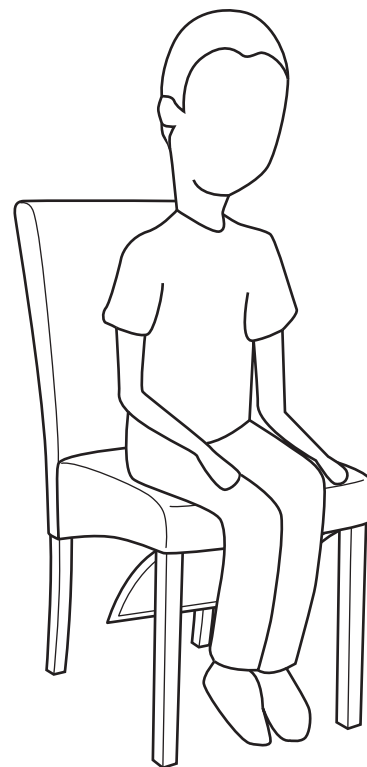


d: Re-attaching the bottom cloth cover

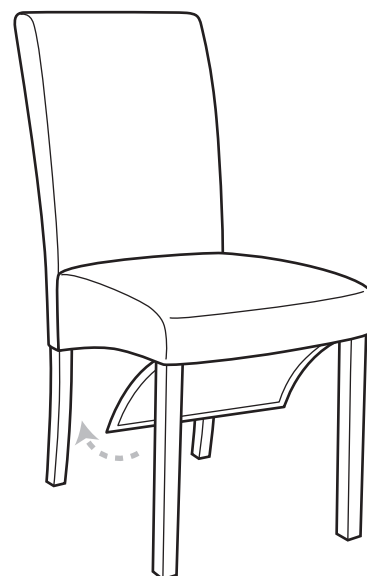
Re-attach the bottom cloth cover as shown.

Assembly is complete.

b:



d:



If you need help or have damaged or missing parts, call the **Customer Helpline:**
Argos = 0345 640 0800