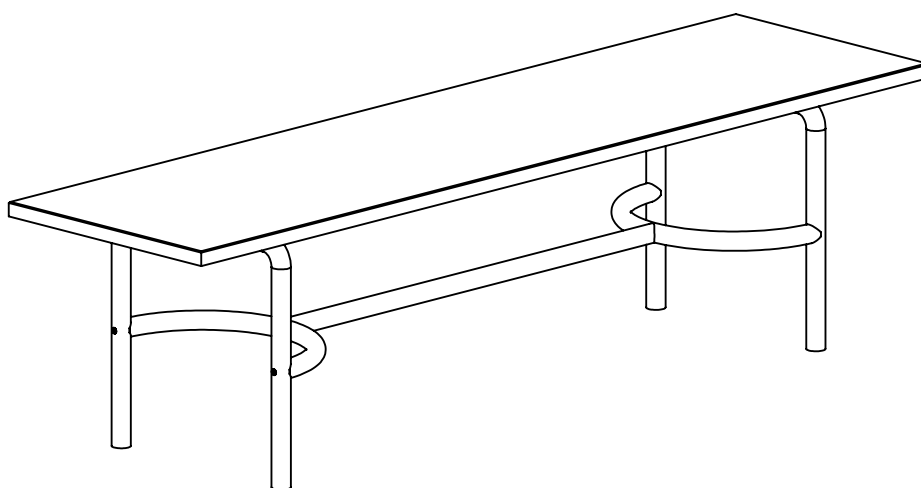
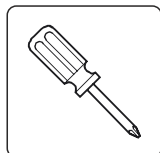


YEOMAN
bench

habitat 

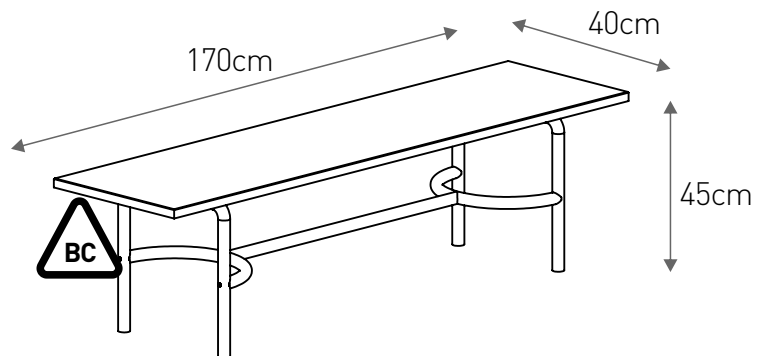
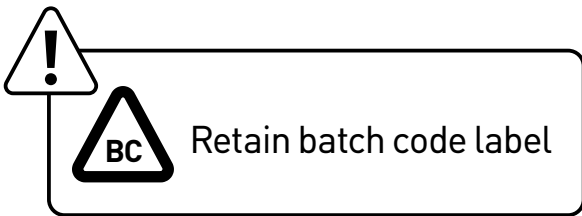
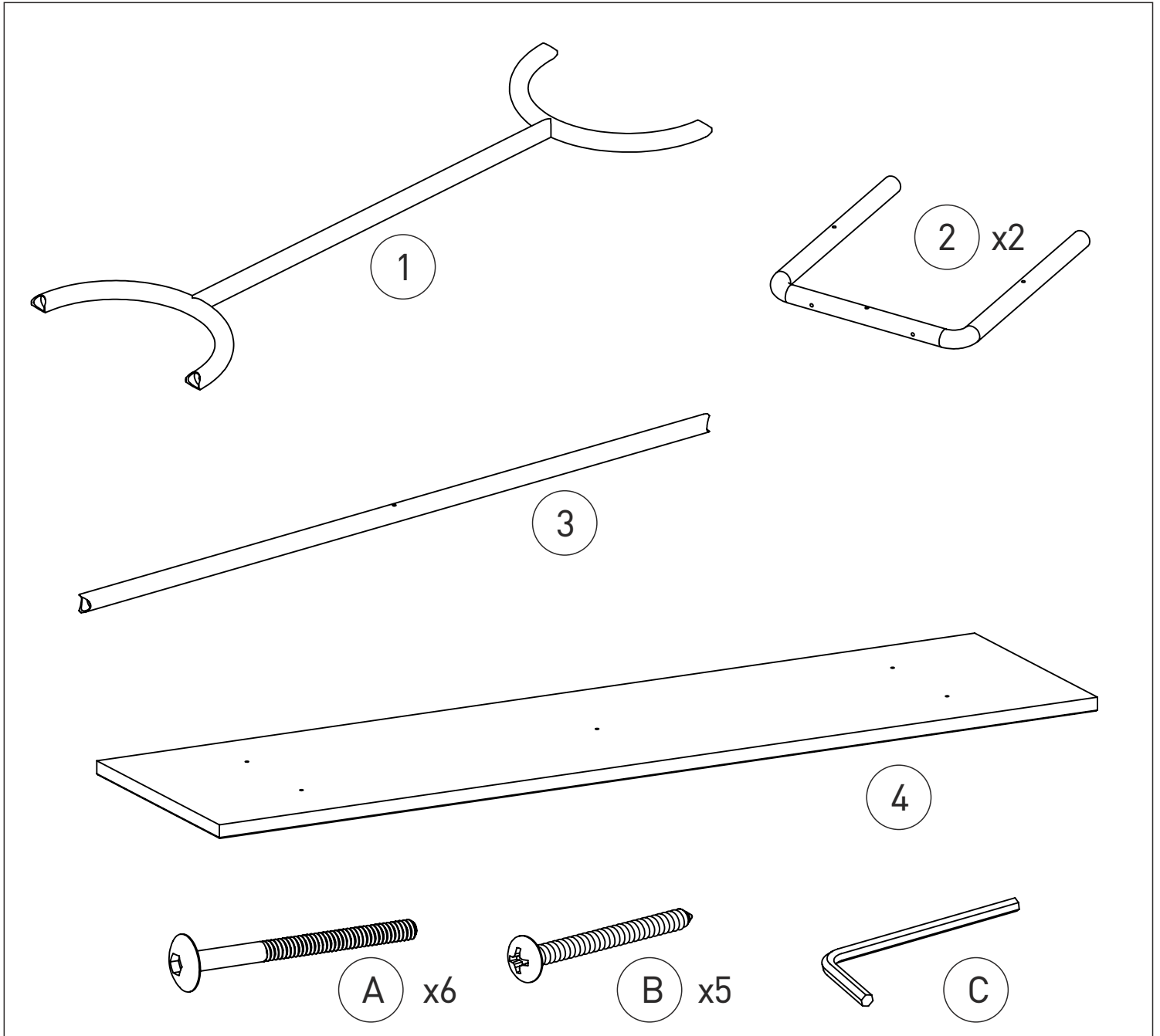
238657

YEO-BE-SS14-A



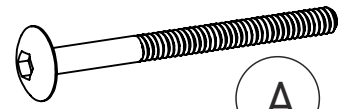
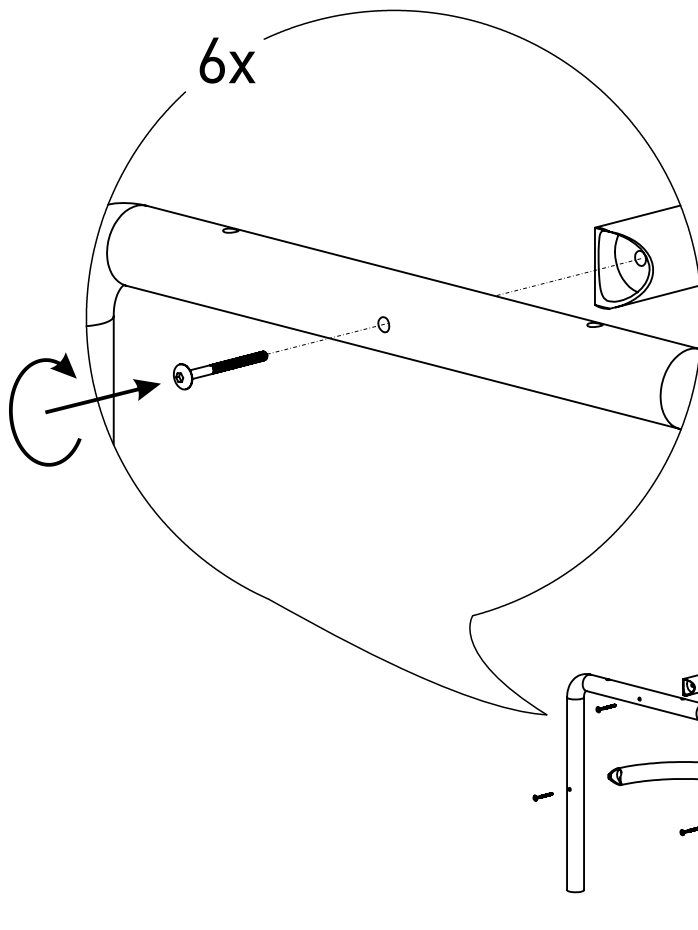
habitat 

Components



Assembly Instructions - Keep in a safe place for future reference

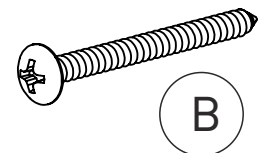
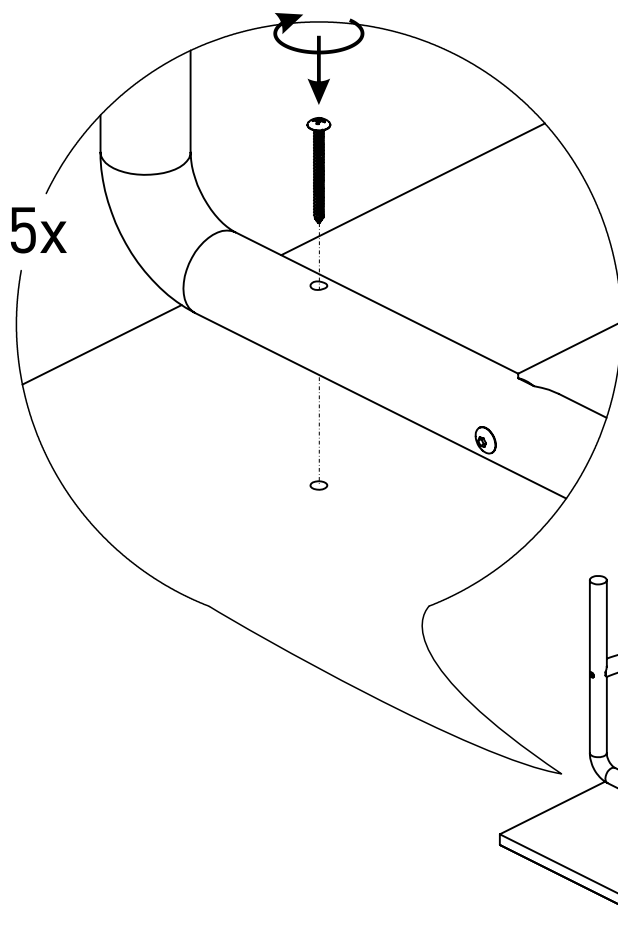
1



Important!

When assembling the bench please ensure you have turned the support bar the right way up. The legs should be slightly angled out. If you have the support bar upside down the legs will angle in and this will mean that the top support bar will not fit.

2



General Care Advice - please read carefully

Metal leg elements

We give below some suggestions for metal furniture care.

- Dust regularly to avoid dirt build-up. Dust can cause the surface to pit.
- Repair damaged surfaces immediately to prevent the metal underneath from rusting.

WARNING

- Don't use harsh abrasives to clean any metal surfaces.
- Do not allow spillages to stay in the surface for long.
- Do not clean with products containing the following: - Acetone (e.g. nail varnish remover), Ammonia (e.g. bleach) or sodium hydroxide (e.g. Caustic soda and oven cleaners).
- Don't use indoor furniture outside. Continual exposure in a damp or wet environment will cause corrosion.

If your furniture becomes stained, scratched chipped or suffers other damage we would recommend professional help is sought to restore it.

Wood elements

We would recommend that you protect this furniture from spills - any spillage should be removed immediately to avoid staining by using a damp cloth, then wiping dry the surface with a clean dry duster. Repeat this procedure for periodic cleaning. The use of furniture polishes or sprays is not necessary or recommended.

Wood is a beautiful natural material. It is important to understand its unique properties which should not be mistaken for flaws.

Each piece will have a slightly different grain pattern. Variation in colour, shading and grain between different products and within the same product can occur. This is a normal feature of all natural wood furniture.

- Take care when moving furniture, dragging pieces across the floor will damage the joints.
- Take care to prevent sharp objects e.g. toys, buckles and heels from coming into contact with your furniture, and avoid contact with chemicals e.g. cosmetics or hair products which may permanently mark the surface.
- Avoid exposing your furniture to direct and prolonged periods of sunlight and heat sources as fading or cracking may result.

If your furniture becomes stained, scratched chipped or suffers other damage we would recommend professional help is sought to restore it.

Periodically check that there are no loose screws on the unit.

If for any reason you should have problems with your Habitat product please contact the store from which you purchased your product.

If you have any comments or suggestions regarding this product, assembly instructions or service received, please enquire at your nearest store or contact us on our website at:

www.habitat.co.uk or write to this address:

Habitat Retail Ltd. 489-499 Avebury Boulevard,
Milton Keynes MK9 2NW