



White Knight

Service Manual for FF225H
Fridge/Freezer

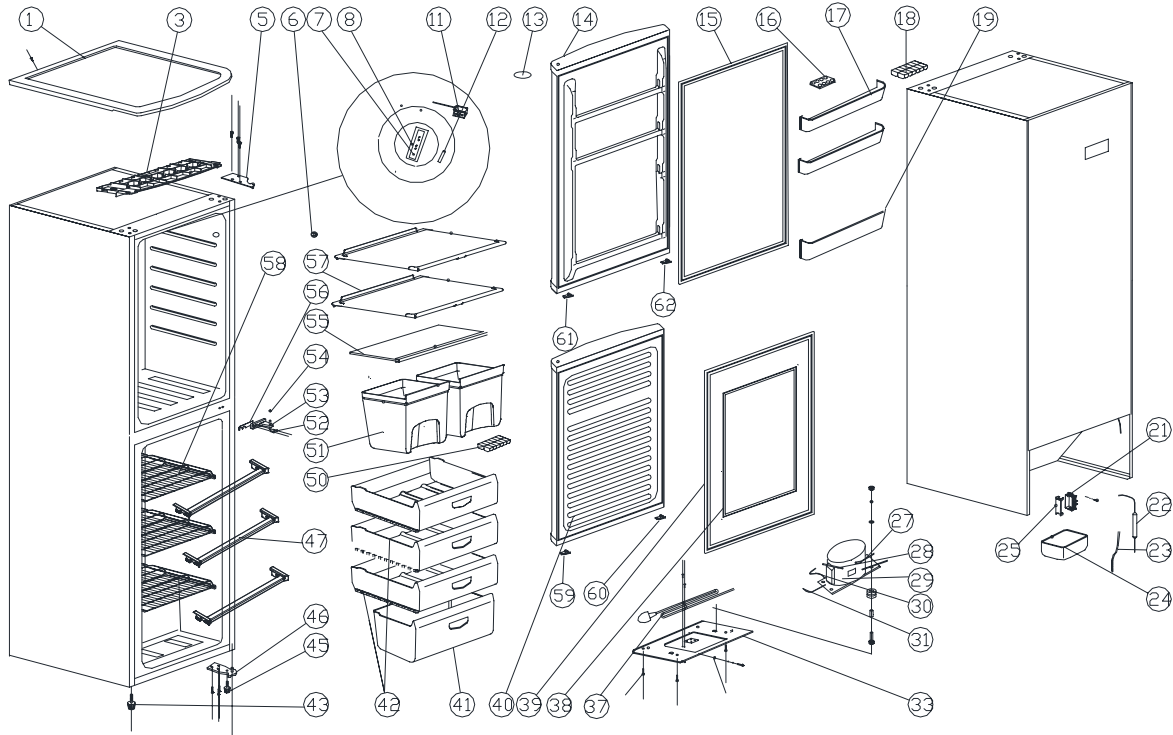
White Knight



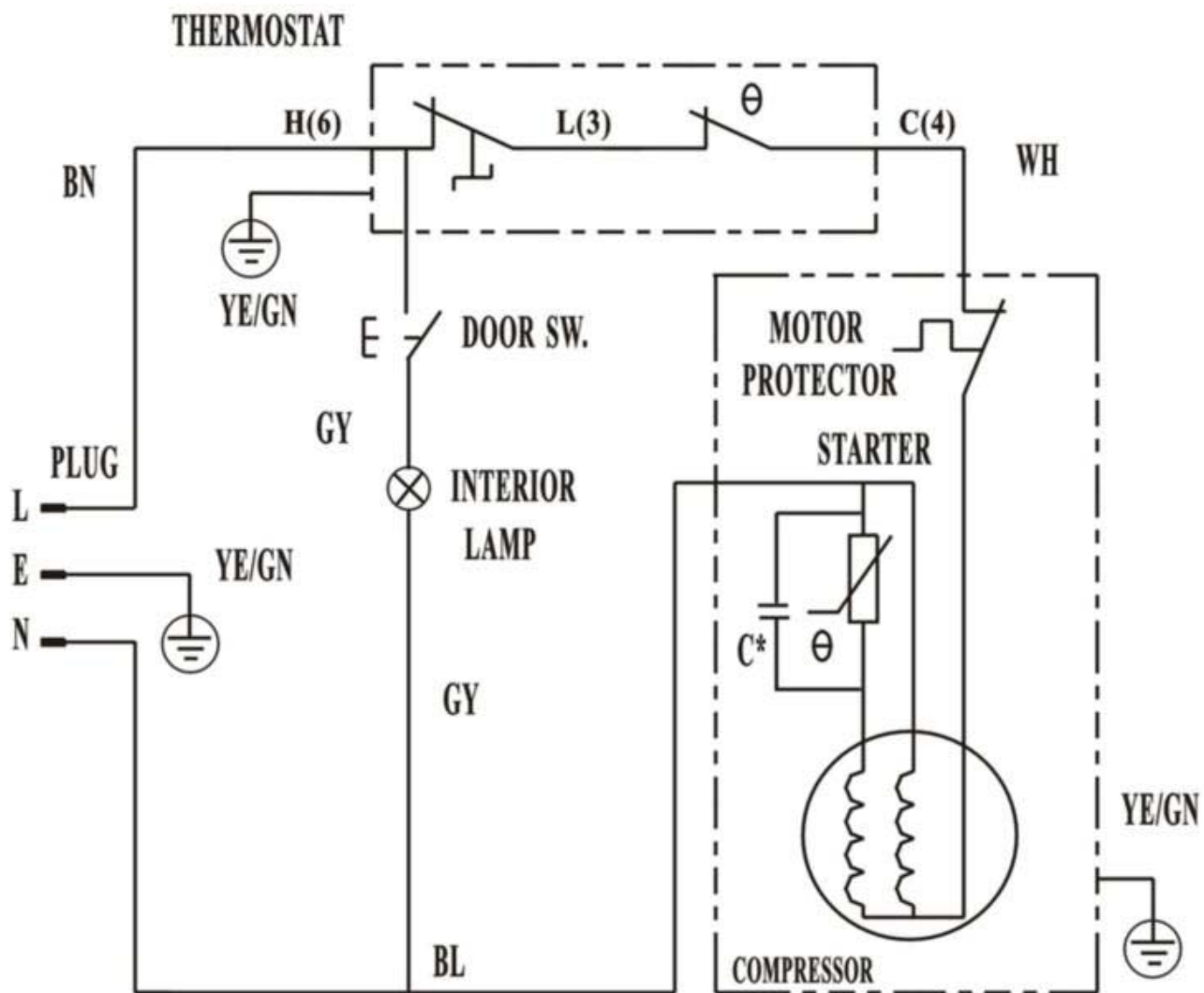
Exploded View
Electrical Diagram
Trouble Shooting Guide
Parts List

January 2015

Exploded view



The electrical diagram



Trouble shooting guide

No	Problem	Possible Cause	What To Do
1	The refrigerator does not get cold at all.	Not plugged in.	Plug in
		Is the circuit breaker tripped or blown fuse?	Put on the home circuit breaker or change the new fuse.
		Is the refrigerator temperature control setted at "off"?	Set the temperature control knob at "4".
2	The refrigerator does not get cold enough.	Is the refrigerator control dialed set to correct location?	Set it to a colder temperature.
		Is the refrigerator placed in direct sunlight or closely a heat source?	Move the refrigerator to proper location.
		Is the door closed completely?	Close the door completely.
		Is the door opened too frequently or too long?	Open the door less often,
		Does the door gasket seal properly?	Make the gasket sealing properly.
		Is the refrigerator overloaded?	Load less food into it.
3	The food in the refrigerator is frozen	Is the refrigerator control dialed set to correct location?	Set it to a warmer temperature.
		Is the ambient temperature too low?	
4	Two sides of the cabinet are hot: condensation occurs.	Hot-pipe is installed in two sides of refrigerator. That makes refrigerator's temperture lowquckly and save the power consumption	Normal state.
		Condensation can occur when you leave the door open for a long time.	Normal state.
5	Vibrations	The refrigerator is not level and firm.	Place the refrigerator in a level location.
6	The refrigerator is noisy.	Water bubbling comes from the refrigerant circulating of the refrigerator.	Normal state.
		Contraction and expansion of the insulation inside the walls may cause popping and cracking.	Normal state.
		Is the refrigerator unstable or touching the wall?	Keep the refrigerator leaving the wall.
		Is the refrigerator not level?	Adjust the refrigerator leveling.
7	The door can not close properly.	Were the doors not properly installed?	Assure the doors installed properly.
		Is the door gasket dirty and distortion?	Cleaning and flatting the door gasket.
8	The lamp does not work.	Has the home circuit breaker or fuse tripped?	Put on the home circuit breaker or change the new fuse.
		Is the refrigerator's door close completely?	Assure the door close completely.
		Is the ambient temperature too high?	

9	Operating for all long time.	Is the temperature controller in freezer chamber or in refrigerator chamber is set at “strong” position	Sets it at a right position.
		Too much food is loaded into the refrigerator and insufficient spaces for airflow.	Load less food into the refrigerator.
		The door were not closed completely or the gasket not sealing enough.	Close the doors completely or make the gasket sealing enough.
		Open the door too frequently.	Decrease the open-door times.

(FF225H) Parts list

Item	Code	Description	Crosslee Code
1	20122020009	Top cover	N/A
3	20012215	Support plate of top cover	N/A
5	20022149	Upper Hinge Assembly	4213 092 67011
6	20050016	Door Switch	4213 092 60541
7	3050400021	LED light	4213 092 67021
11	20060567	Thermostat	4213 092 60711
12	20015505	Thermostat Knob	4213 092 60721
14	20101020271	Upper Door	4213 092 67031
15	20013065	Upper Door Gasket	4213 092 67041
16	20014821	Egg Rack	4213 092 67051
17	20014701	Upper Rack(ice blue)	4213 092 60571
18	20010030	Ice Cube Tray	4213 092 60971
19	20014702	Lower Rack(ice blue)	4213 092 60561
22	20060745	Drier Filter	4213 092 67061
23	20016083	Drain Pipe	N/A
24	20015357	Drain Pan	N/A
27	20060046	Connecting tube (short)	N/A
28	20061718	Process tube	N/A
29	20061648	Compressor	4213 092 67081
31	20050008	Earthing wire of compressor	N/A
33	20120080132	Compressor Base Support	N/A
37	3050100088	Power Supply Cord Plug	4213 092 67091
38	20012869	Inner Door Gasket	4213 092 67101
39	20013066	Lower Door Gasket	4213 092 67111
40	20101020272	Lower Door	4213 092 67121
41	20013558	Lower Drawer (ice blue)	4213 092 60381
42	20013260	Middle Drawer (ice blue)	4213 092 60801
43	20010123	Long Adjustable Foot	4213 092 67131
45	20014361	Short Adjustable Foot	4213 092 67141
46	20022150	Lower Door Hinge Assembly	4213 092 67161
47	20122990604	Decorative Breaker	4213 092 67171
51	20013126	Pair of Crisper drawers (ice blue)	4213 092 60811
53	20023116	Middle Door Hinge	4213 092 67181
55	10204727	Cover of Crisper Box	4213 092 67191
56	20012230	Cushion for Door Hinge	4213 092 60901
57	10204050	Shelf of refrigerator chamber	4213 092 60581
58	20060320	Evaporator of freezer	N/A
59	20010021	Lower door right aid-closer	4213 092 60461
60	20010384	Lower door left aid-closer	4213 092 60661
61	20010068	Right Limit Block of Door	4213 092 67201
62	20010371	Left Limit Block of Door	4213 092 67211

At present spare parts are only available which have been allocated a Crosslee code number. If additional items are required, and don't have a Crosslee code number, Please contact Crosslee Spares Dept to check availability.