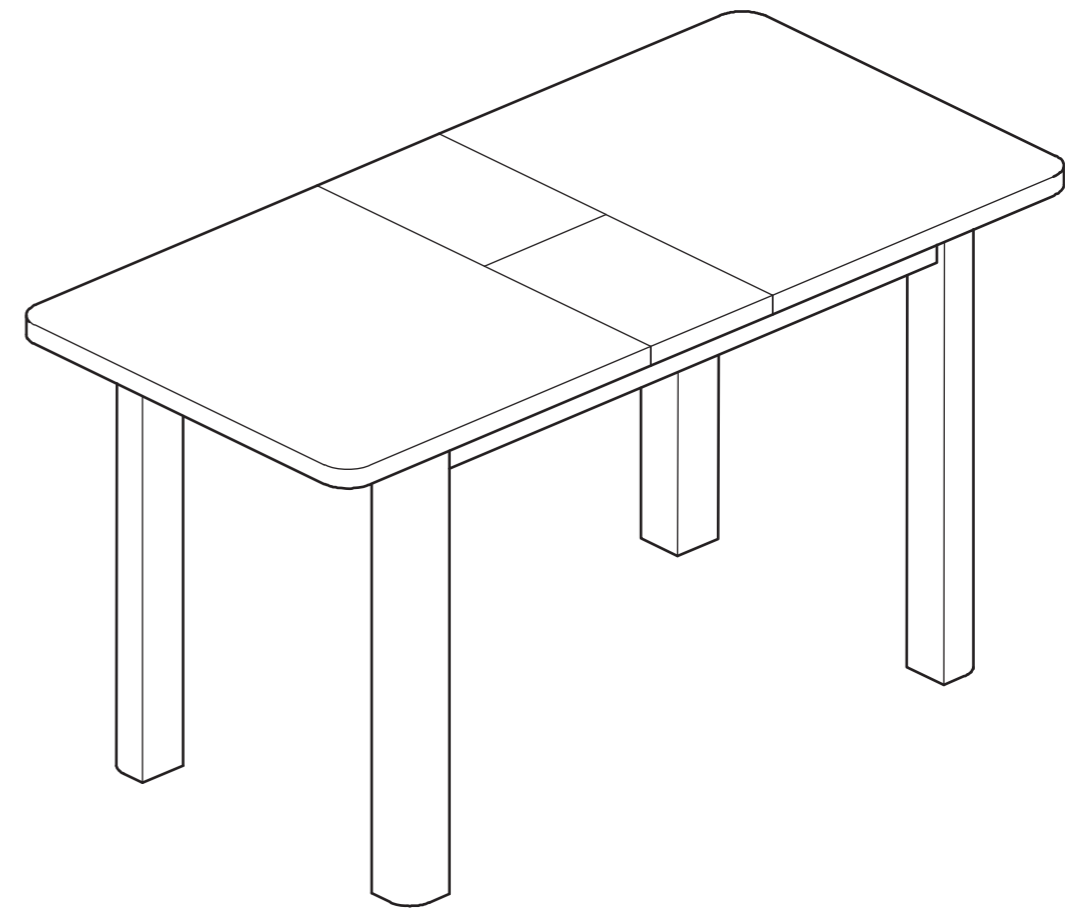


Shenley Extendable Table

Assembly Instructions - Please keep for future reference

392/2628



Dimensions

Width - 150 (180)cm
Depth - 90cm
Height - 75cm

Important – Please read these instructions fully before starting assembly

If you need help or have damaged or missing parts, call the **Customer Helpline: 0345 640 0800**

! Safety and Care Advice

Important – Please read these instructions fully before starting assembly

- Check you have all the components and tools listed on page 2 and 3.

- Remove all fittings from the plastic bags and separate them into their groups.

- Keep children and animals away from the work area, small parts could choke if swallowed.

- Make sure you have enough space to layout the parts before starting.

- During assembly do not stand or put weight on the product, this could cause damage.

- Assemble the item as close to its final position (in the same room) as possible.

- Assemble on a soft level surface to avoid damaging the unit or your floor.

- Parts of the assembly will be easier with 2 people.



- To reduce the likelihood of damaging your product please ensure that your

power drill is set on a low torque setting.

- Dispose of all packaging carefully and responsibly.

Care and maintenance

- Only clean using a damp cloth and mild detergent, do not use bleach or abrasive cleaners.

- From time to time check that there are no loose screws on this unit.

- This product should not be discarded with household waste. Take to your local authority waste disposal centre.

Handy Hints

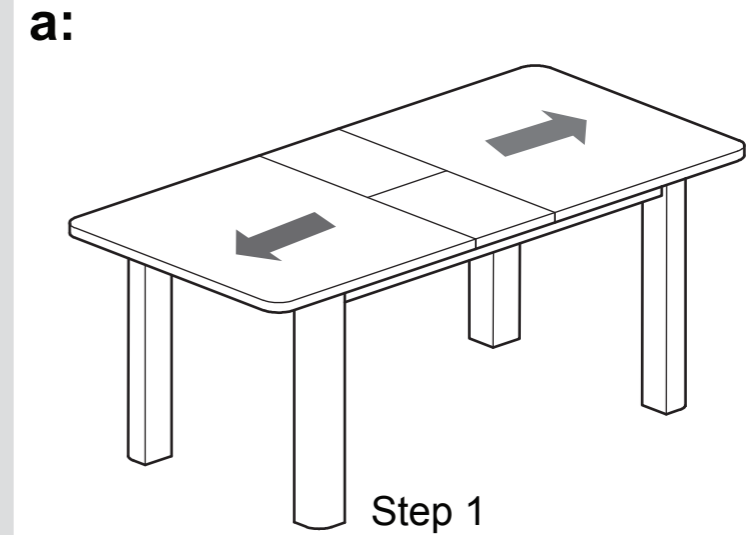
- Assemble all parts and bolts loosely during assembly, only once the product is complete should you fully tighten the bolts.

- Regularly check and ensure that all bolts and fittings are tightened properly.

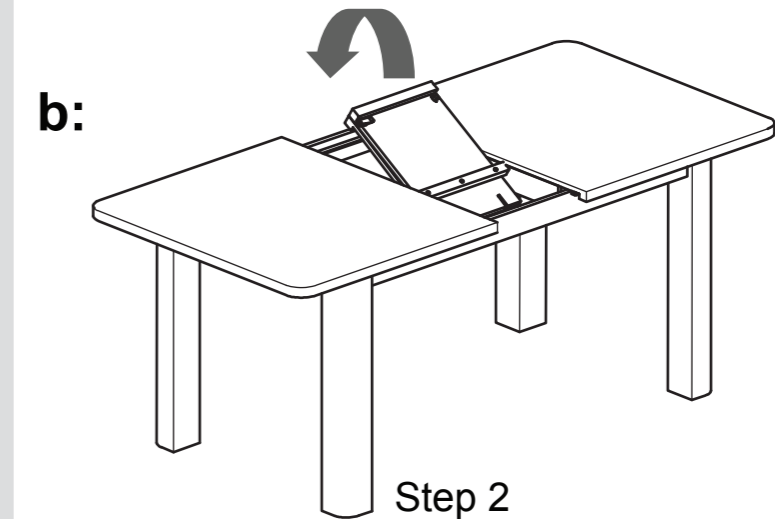
Assembly Instructions

Close table

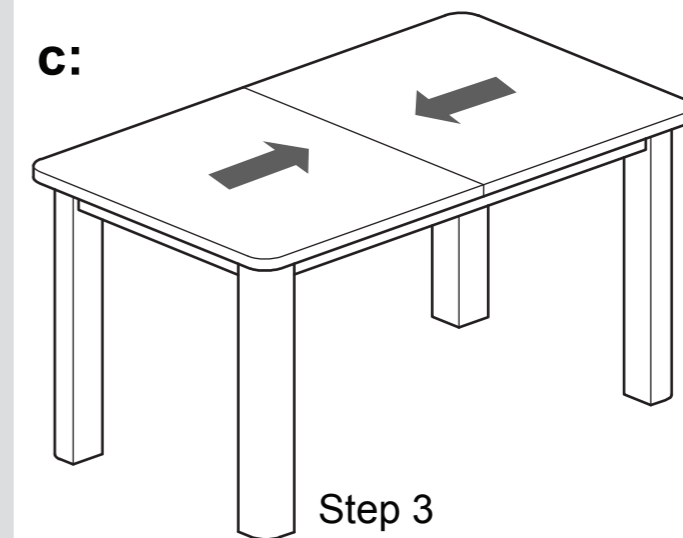
a: Release safety locks (see safety lock instruction below) Hold the top of table to lift the table up and pull the table tops out as shown by the arrows.



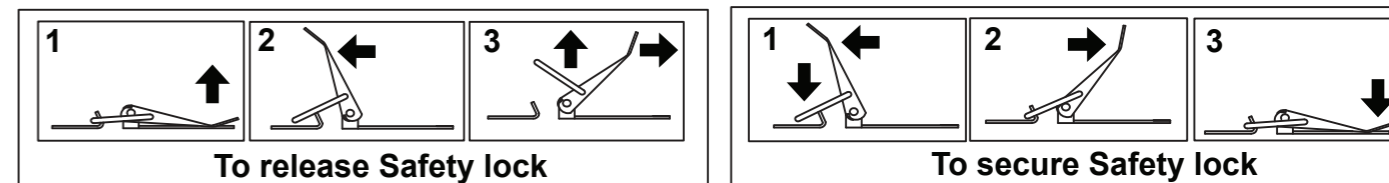
b: Close the extension leaves.



c: Hold the table top to push on both sides of tables as shown by the arrows. Use safety locks to ensure table tops will not move while using. (see safety lock instruction below)



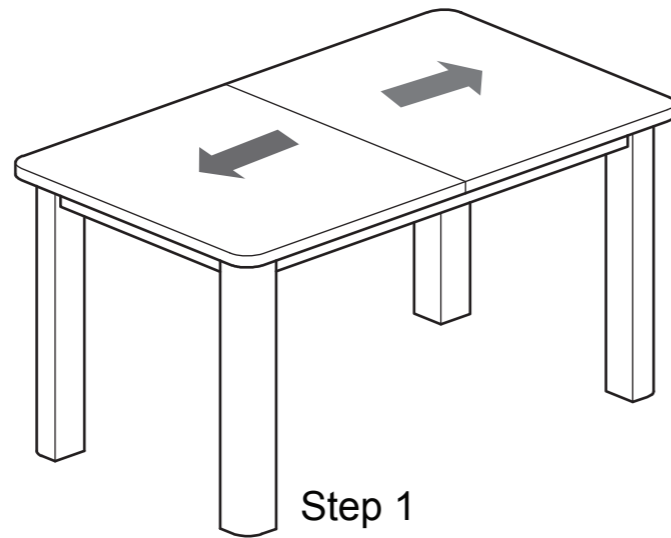
SAFETY LOCK INSTRUCTION.



Assembly Instructions

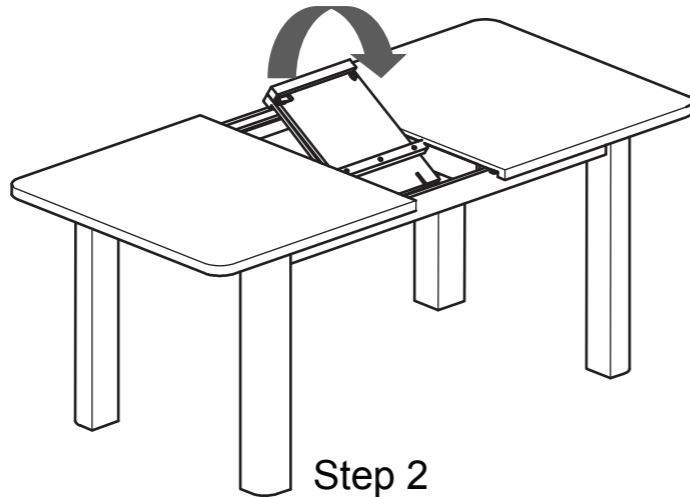
Open table

a: Release safety locks (see safety lock instruction below) Hold the top of table to lift the table up and pull the table tops out as shown by the arrows.



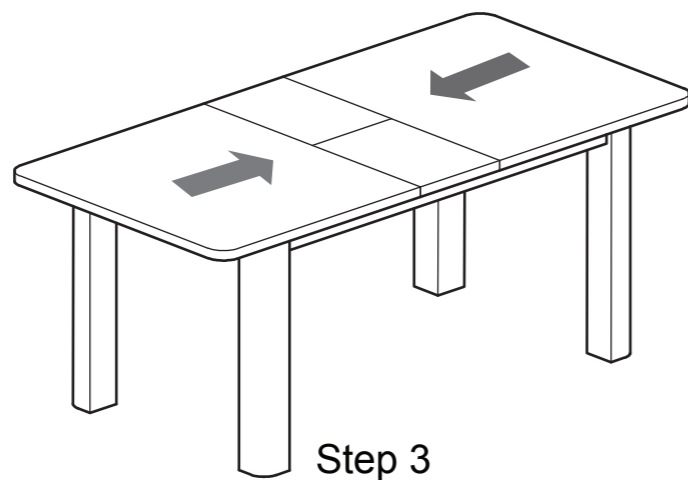
Step 1

b: Close the extension leaves.



Step 2

c: Hold the top of table to push on both sides of tables as shown by the arrows. Use safety locks to ensure table tops will not move while using. (see safety lock instruction below)

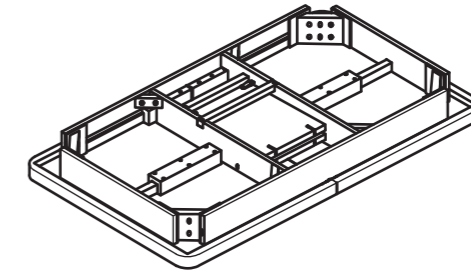


Step 3

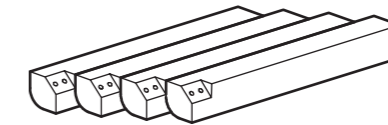
Components - Parts

If you have damaged or missing components, call the **Customer Helpline: 0345 640 0800**

Please check you have all the parts listed below

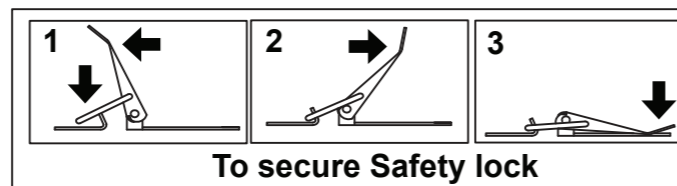


1 Table top x 1



2 Leg x 4

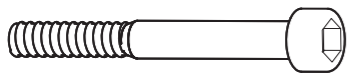



SAFETY LOCK INSTRUCTION.



Components - Fittings

Please check you have all the fittings listed below

Note :The quantities below are the correct amount to complete the assembly. In some cases more fittings may be supplied than are required.

A  Bolt x 8	B  Spring washer x 8	C  Washer x 8
D  Allen key x 1		

Assembly Instructions

Step 1

Place table top upside down being careful not to scratch the table top (lift the product within its cardboard packaging will assist you being able to do this)

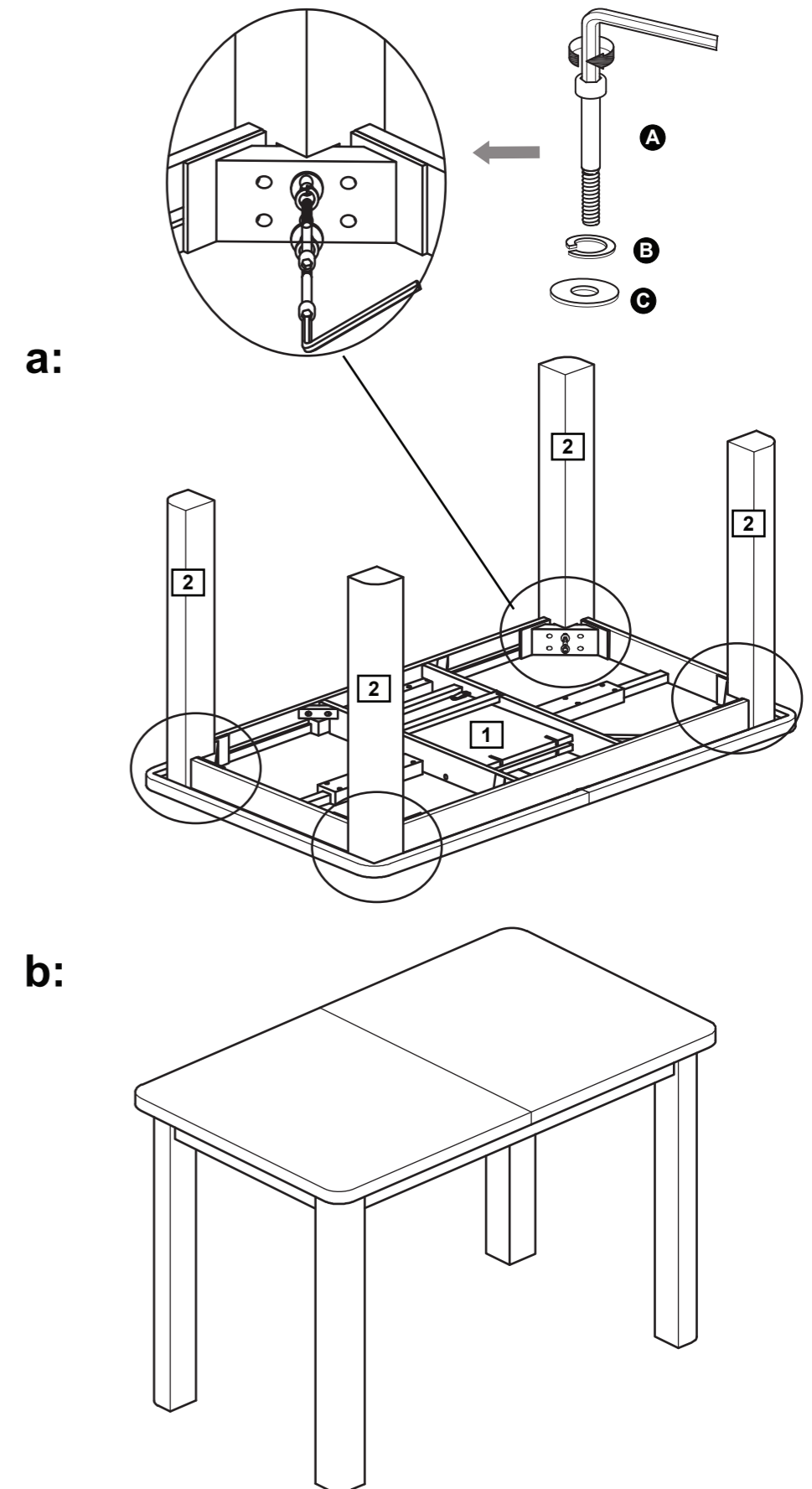
a: Attach the legs **2** (x4) to each of the corners, by first step insert spring washers **B** and washers **C** into all the bolts **A**. Then screw the bolts **A** through the corner blocks and into the holes in the legs **2**. Tighten bolts by using the allen key **D**.

Fully tighten all bolts.

b: 2 people are required for this next stage.

Turn the table upright and place on desired location.

Assembly is complete.

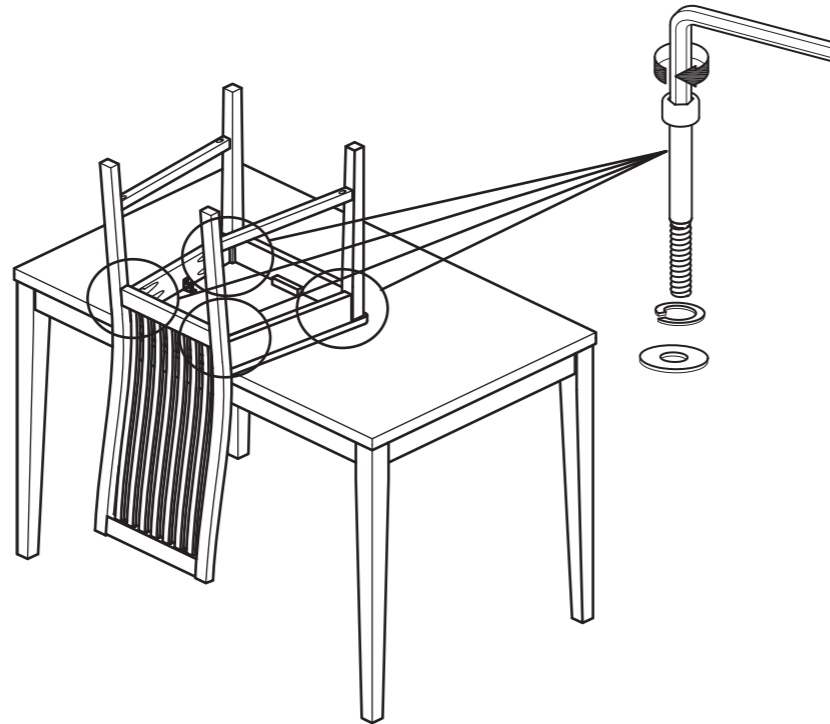


If you need help or have damaged or missing parts, call the **Customer Helpline: 0345 640 0800**

Assembly Instructions

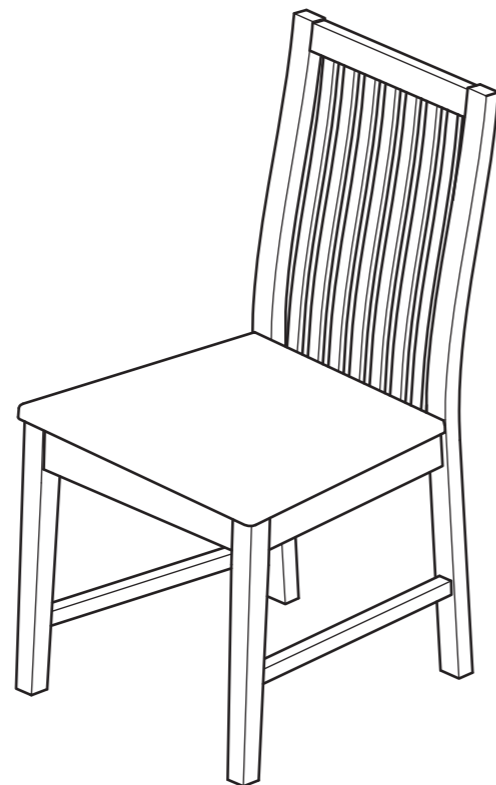
c: After the sitting test, re-tighten bolts again, if any adjustment needed.

c:



d: It is highly recommend to re-tighten all the bolts again after using the chair for 7 days.

d:



Note : Please keep the allen key to re-tighten all bolts again when required.

Assembly is complete.

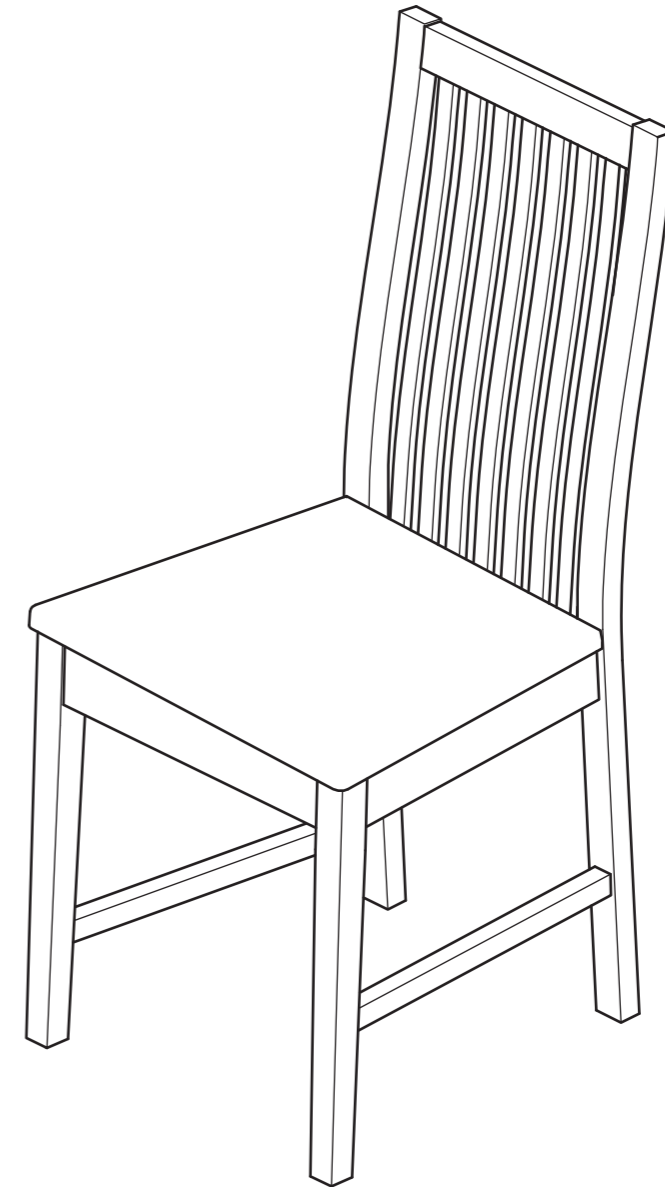
If you need help or have damaged or missing parts, call the **Customer Helpline: 0845 6400800**

Paris Chair

Assembly Instructions - Please keep for future reference

603/7840

603/7857



Dimensions

Width - 47cm
Depth - 55cm
Height - 96cm

Important – Please read these instructions fully before starting assembly

If you need help or have damaged or missing parts, call the **Customer Helpline: 08456 400800**

! Safety and Care Advice

Important – Please read these instructions fully before starting assembly

- Check you have all the components and tools listed on page 2 and 3.

- Remove all fittings from the plastic bags and separate them into their groups.

- Keep children and animals away from the work area, small parts could choke if swallowed.

- Make sure you have enough space to layout the parts before starting.

- Do not stand or put weight on the product during assembly, this could cause damage.

- Assemble the item as close to its final position (in the same room) as possible.

- Assemble on a soft level surface to avoid damaging the unit or your floor.

- Parts of the assembly will be easier with 2 people.



- We do not recommend the use of power drill/drivers **for inserting screws**, as this could damage the unit. Only use hand screwdrivers.

- Dispose of all packaging carefully and responsibly.

- Maximum safe weight of user: 110 Kgs.

Care and maintenance

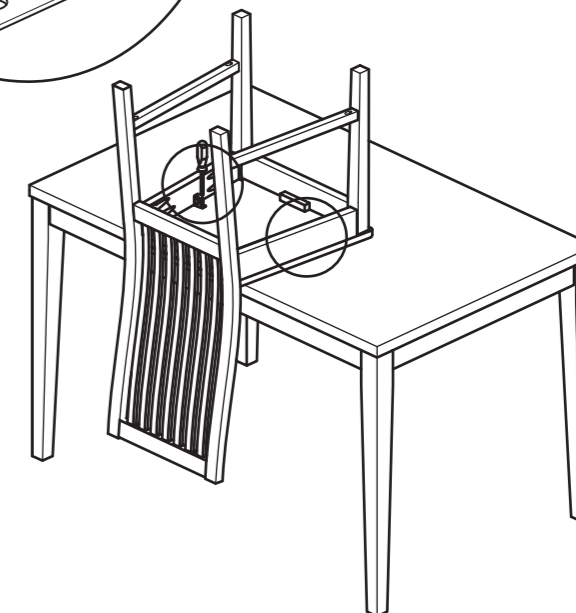
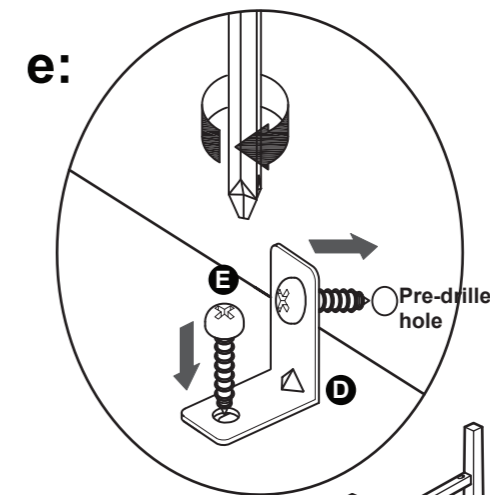
- Only clean using a damp cloth and mild detergent, do not use bleach or abrasive cleaners.

- From time to time check that there are no loose screws on this unit.

- This product should not be discarded with household waste. Take to your local authority waste disposal centre.

Assembly Instructions

e: Screw **E** the lock seats **D** with hand screw driver by following the pre drilled holes.

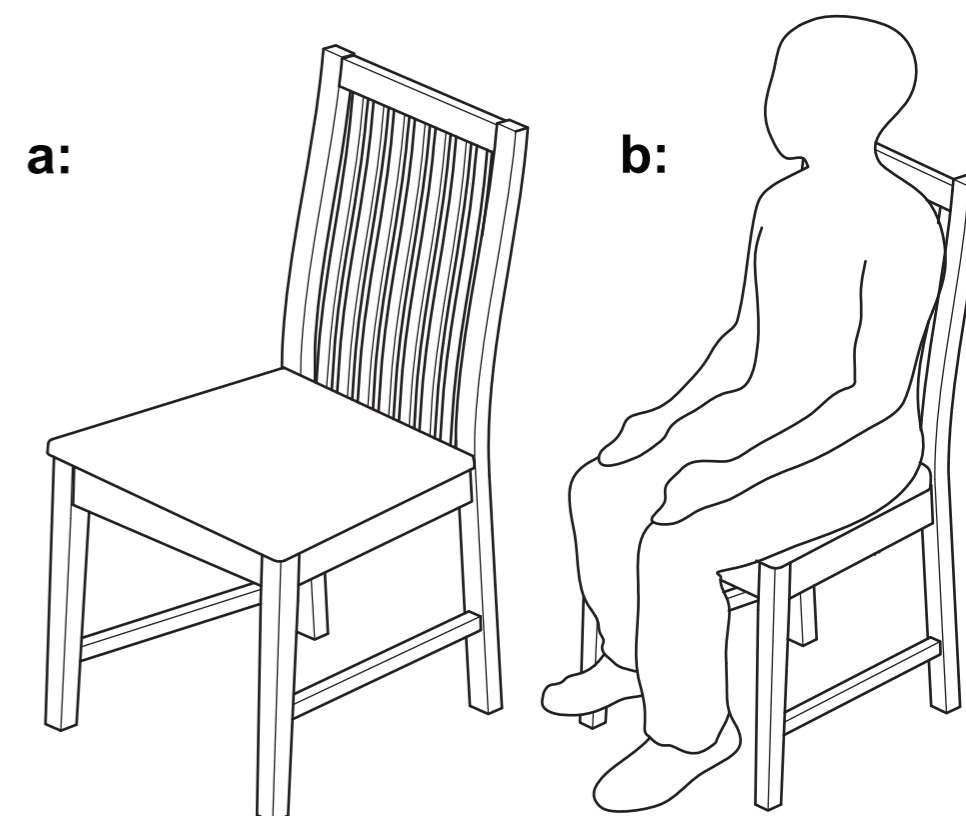


Step 2

Note : Stand the chair on a level floor.

a: Tighten all bolts.

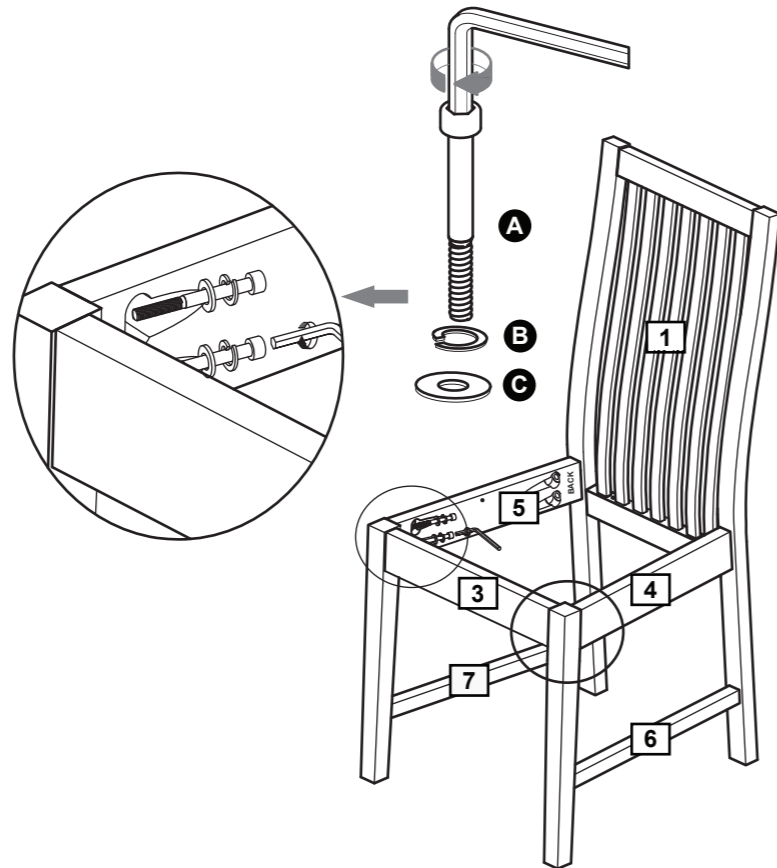
b: Sit on the chair to the legs.



Assembly Instructions

c: Stand the chair on a floor. Insert bolts **A** with spring washers **B** and washers **C** through side rails holes into front leg frame **3** screw all bolts by using ball allenkey **G**.

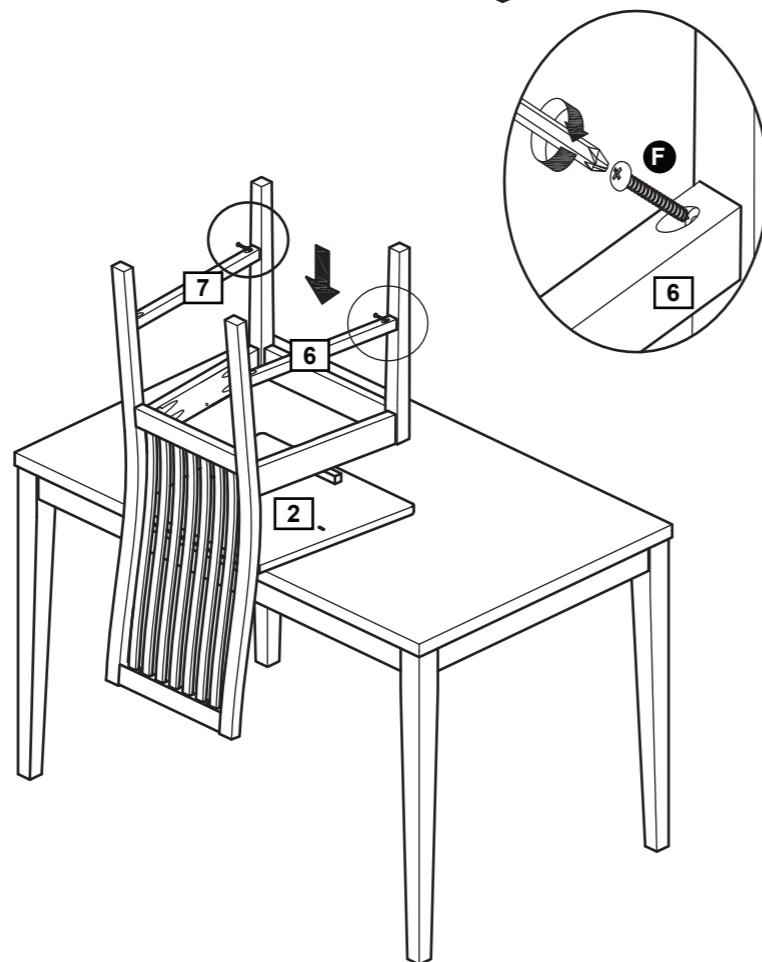
c:



d:

d: Place the seat pad **2** on the table. Put the chair frame on top of the seat back.

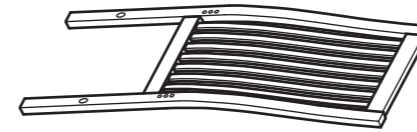
Insert screw **F** into the pre - drilled holes on the right leg rail **6** and left leg rail **7** using a screwdriver.



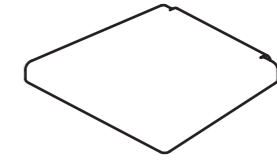
Components - Parts

If you have damaged or missing components, call the **Customer Helpline: 08456 400800**

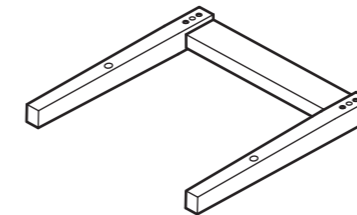
Please check you have all the parts listed below



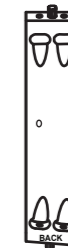
1 Chair back x 1



2 Seat x 1



3 Front leg frame x 1



4 Right side rail x 1



5 Left side rail x 1



6 Right leg rail x 1

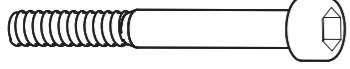



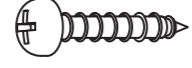




7 Left leg rail x 1

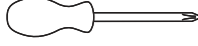
Components - Fittings

Please check you have all the fittings listed below

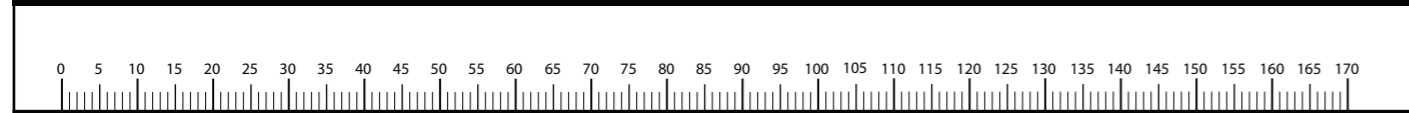
Note: The quantities below are the correct amount to complete the assembly. In some cases more fittings may be supplied than are required.

A  Bolt x 8	B  Spring washer x 8	C  Washer x 8
D  Lock seat x 2	E  Screw x 4	F  38mm Screw x 4
G  Ball allenkey x 1		

Tools required

 Phillips screwdriver
(medium & large)

Ruler - Use this ruler to help correctly identify the screws



Assembly Instructions

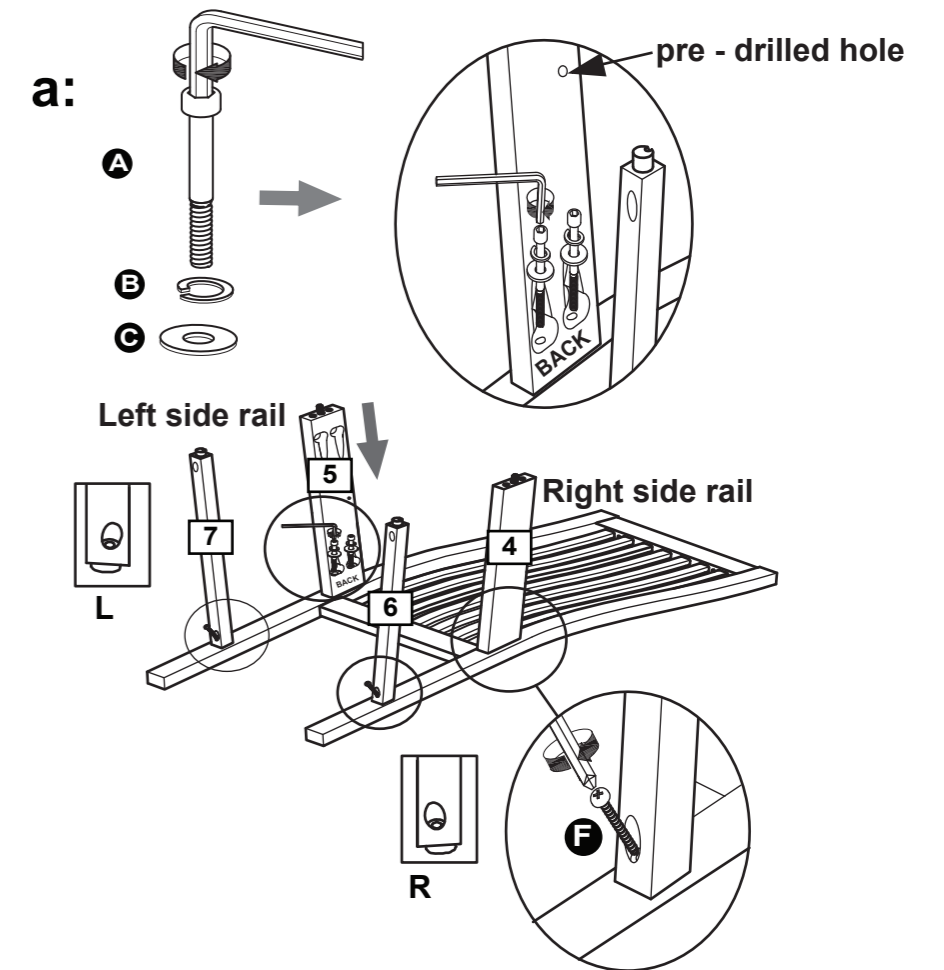
Step 1

a: Put left side rail **5** into left side hole of the chair back **1** and right side rail **4** into right side hole. Insert bolt **A** with spring washers **B** and washers **C** through side rails holes into the chair backs. Screw all bolts by using ball allenkey **G**.

Insert screw **F** into the pre-drilled holes in the right leg rail **6** and left legs rail **7** tighten (although not fully) with a screwdriver.

Do not fully tighten.

b: Fit the front leg frame **3** onto the right and left side rails **4** **5** and right and left leg rails **6** **7**.



b:

