

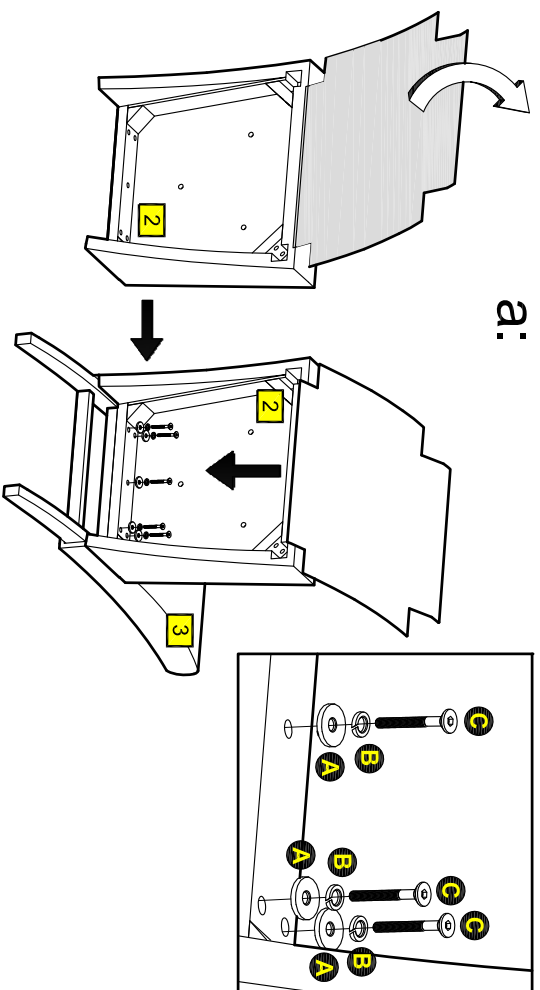
# Assembly Instructions

## Step 1

### Chair assembly

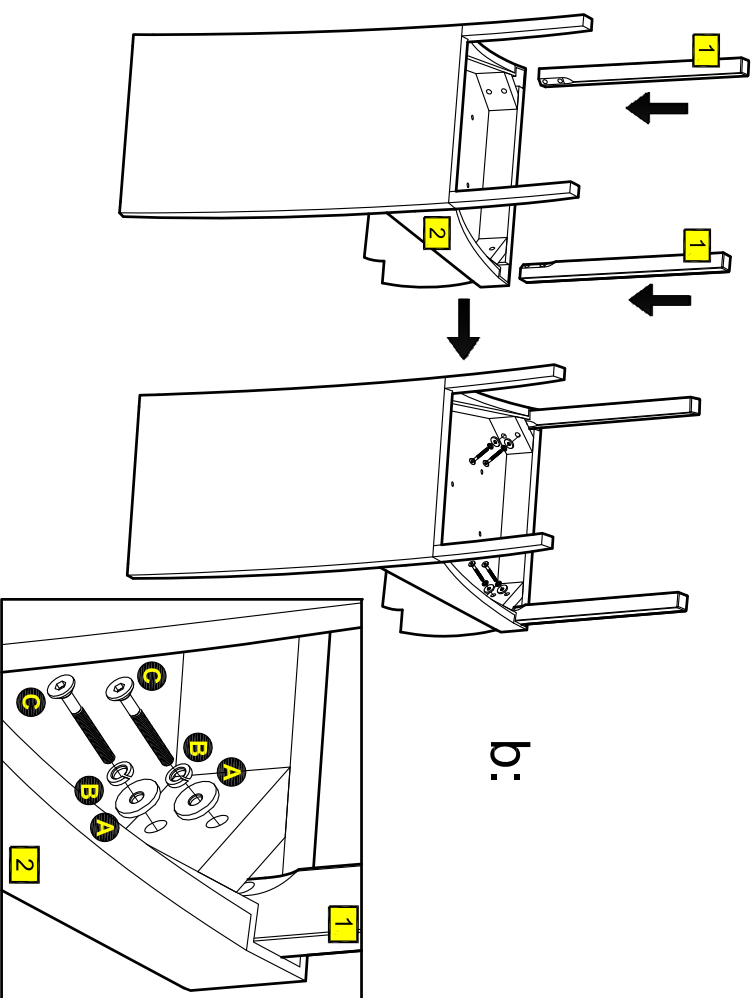
**a:** Open the underside of the padded Seat **2** as shown in the picture.

Fix the Seat **2** and the Backrest **3** with the 5 Screws **C** through Washers **B** and **A**, using the Imbus key supplied.

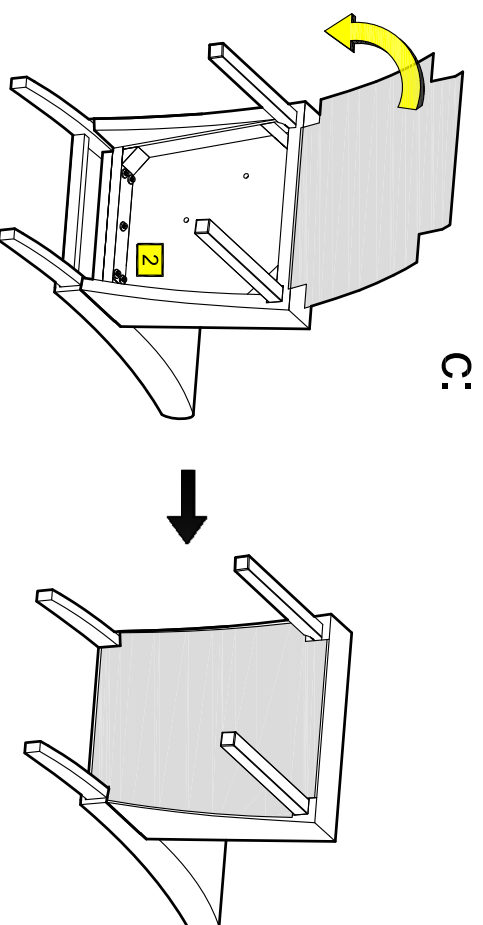


**b:** Insert the Leg **1** into the Seat **2**. Fix the leg with 2 Screws **C** through Washers **B** and **A**, using the Imbus key supplied.

Make the same for the other leg.



**c:** Close the bottom of the seat **2** as shown in picture.



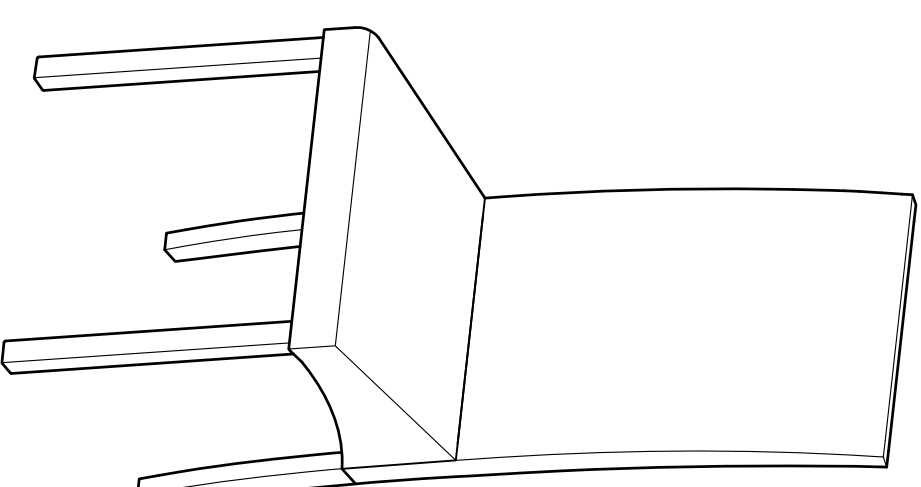
**Assembly is complete.**

# Skirted Chair

Assembly Instructions - Please keep for future reference



259 / 3955  
247 / 6728  
248 / 2262



### Dimensions

Width - 45cm  
Depth - 53cm  
Height - 95cm

**Important - Please read these instructions fully before starting assembly**

If you need help or have damaged or missing parts, call the Customer Helpline:  
**Argos = 0835 6400800**

# ⚠ Safety and Care Advice

## Important - Please read these instructions fully before starting assembly

- We suggest you spend a short time reading through this leaflet and follow the simple step by step assembly instructions.
- Do not discard any of the packaging until you have checked that you have all the parts and the pack of fittings.
- Assemble this product on a flat surface.
- Assemble all parts loosely before tightening any bolts.
- Discard all extra fittings and keep fittings out of reach of children.
- Unit weight: 5kgs.
- Retain Assembly Instructions for future reference.
- We do not recommend the use of power drill/drivers for inserting screws as this could damage the unit.
- Only use hand screwdrivers.
- Dispose of all packaging carefully and responsibly.



## Warnings

- This product should only be used on firm, level ground.
- Do not use any abrasive materials when cleaning.
- From time to time check that there are no loose bolts on this unit.

## Care and maintenance

### IMPORTANT MAINTENANCE AND CLEANING INFORMATION DO NOT REMOVE (CARING FOR YOUR PRODUCT)

Outlined below are general care instructions that will prolong the look and life by preventing wear and damage.

**PLEASE NOTE THAT THE MANUFACTURER IS NOT LIABLE FOR ANY DEFECTS CAUSED BY MISUSE, NON COMPLIANCE WITH THESE INSTRUCTIONS**

PU - PVC etc.

#### General Care Advice

- Dust regularly with a clean dry cloth.
- Wipe up any liquid spills immediately with a damp cloth and then dry the surface with a clean dry duster.
- Repeat this procedure for periodic cleaning.
- Solid spills (Butter, Food & Mud) - Remove excess with a blunt Knife before dabbing to clean stains.
- The use of furniture polish or spray is not necessary or recommended.

#### What Not To Do - Do Not Soak

- Never rub or scrub with a wet cloth to remove spills or stains as this could remove colour.
- Do not use washing up liquid, detergents, or bleach to remove stains.

#### Cleaning:

We recommend Professional Cleaning only for this product, to prevent excessive build-up of dirt and soiling.

#### Sunlight and Heat

- Direct sunlight or heat can cause fabrics to deteriorate or fade - Place your furniture out of the way of prolonged direct light.
- Reduce exposure by moving items around or changing position so that the same piece of area is not always exposed.
- Avoid placing furniture too close to fires or radiators

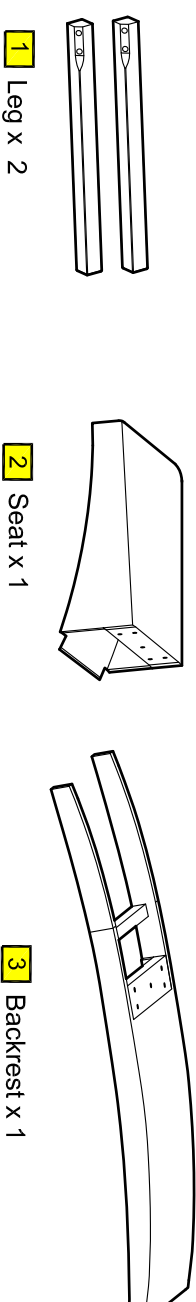
#### Beware of Sharp objects

Sharp objects such as buckles and jewellery can easily snag on the fabric and produce tears and marks in the fabric.

# Components - Parts

If you have damaged or missing components, call the Customer Helpline: Argos = 0835 6400800

## Please check you have all the parts listed below



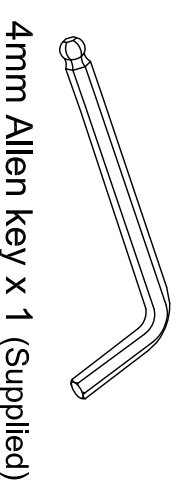
# Components - Fittings

## Please check you have all the parts listed below

**Note:** the quantities below are the correct amount to complete the assembly. In some cases more fittings may be supplied than are required.

<b>A</b>		<b>B</b>		<b>C</b>	
M6x18 Plain Washer x 9		M6 Lock Washer x 9		M6x60mm Bolt x 9	

## Please check you have all the parts listed below



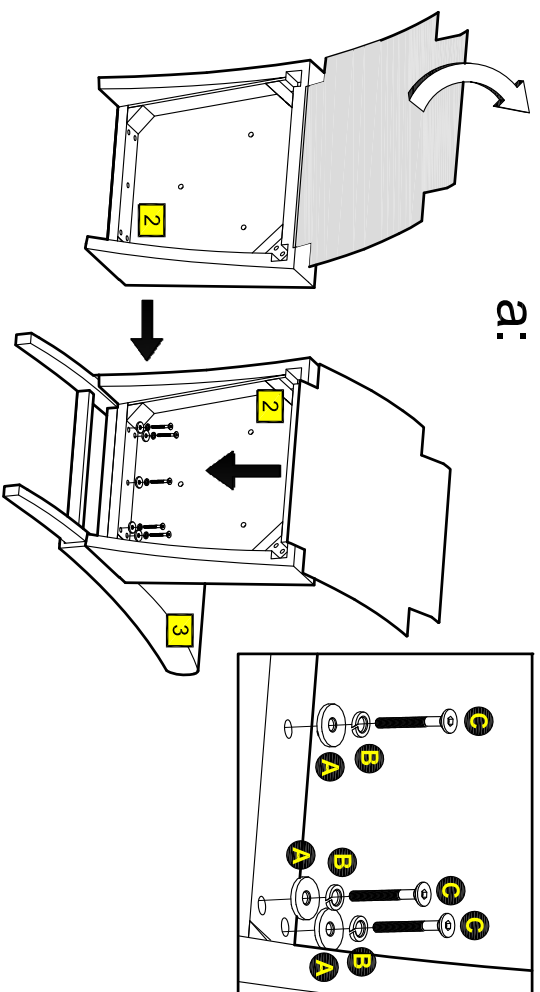
# Assembly Instructions

## Step 1

### Chair assembly

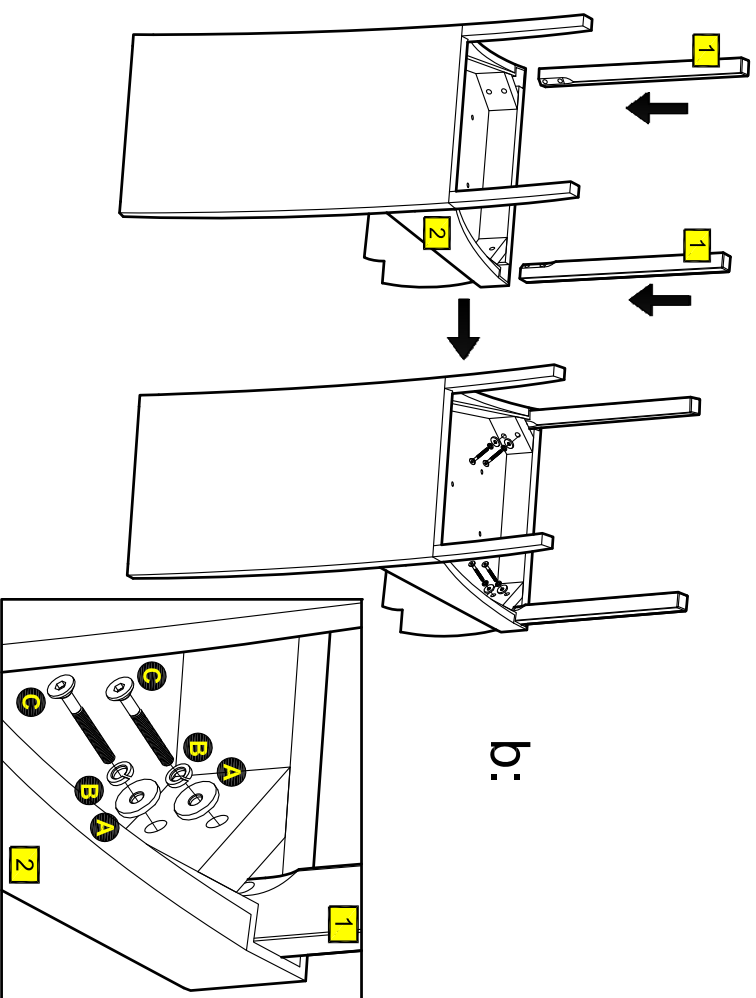
**a:** Open the underside of the padded Seat **2** as shown in the picture.

Fix the Seat **2** and the Backrest **3** with the 5 Screws **C** through Washers **B** and **A**, using the Imbus key supplied.

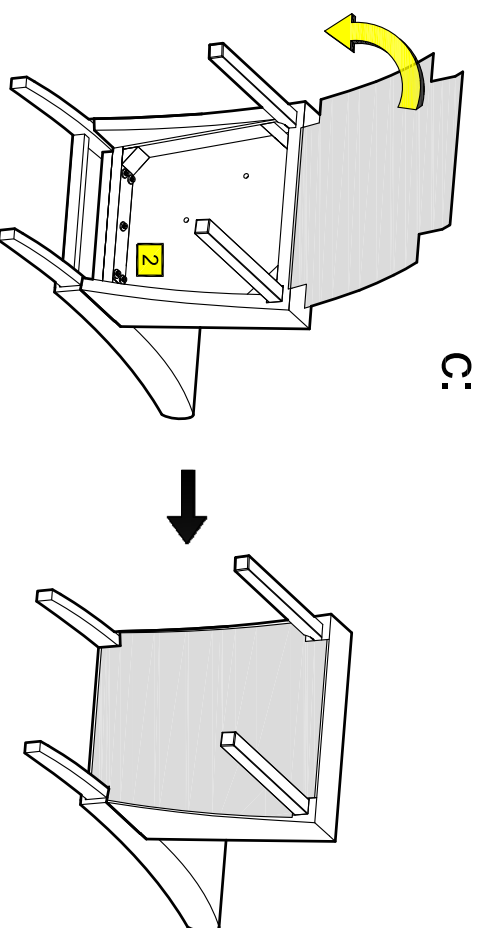


**b:** Insert the Leg **1** into the Seat **2**. Fix the leg with 2 Screws **C** through Washers **B** and **A**, using the Imbus key supplied.

Make the same for the other leg.



**c:** Close the bottom of the seat **2** as shown in picture.



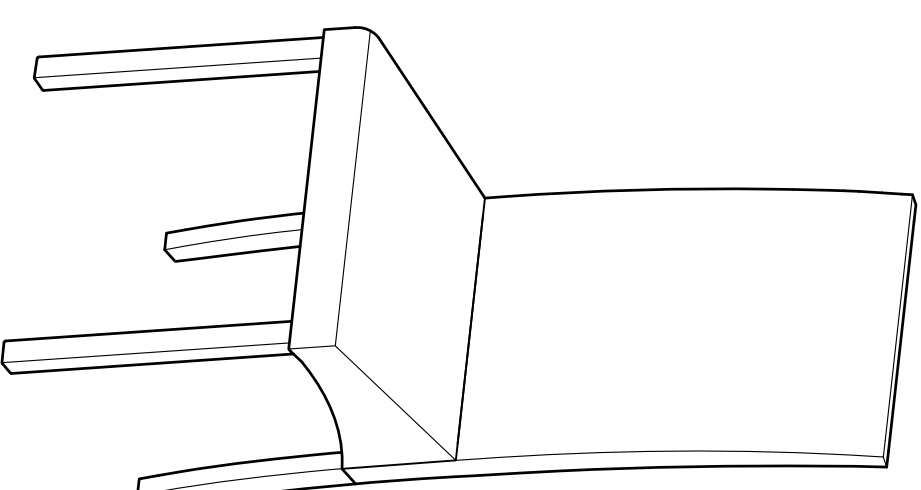
**Assembly is complete.**

# Skirted Chair

Assembly Instructions - Please keep for future reference



259 / 3955  
247 / 6728  
248 / 2262



### Dimensions

Width - 45cm  
Depth - 53cm  
Height - 95cm

**Important - Please read these instructions fully before starting assembly**

If you need help or have damaged or missing parts, call the Customer Helpline:

Argos = 0835 6400800

# ⚠ Safety and Care Advice

## Important - Please read these instructions fully before starting assembly

- We suggest you spend a short time reading through this leaflet and follow the simple step by step assembly instructions.
- Do not discard any of the packaging until you have checked that you have all the parts and the pack of fittings.
- Assemble this product on a flat surface.
- Assemble all parts loosely before tightening any bolts.
- Discard all extra fittings and keep fittings out of reach of children.
- Unit weight: 5kgs.
- Retain Assembly Instructions for future reference.
- We do not recommend the use of power drill/drivers for inserting screws as this could damage the unit.
- Only use hand screwdrivers.
- Dispose of all packaging carefully and responsibly.



## Warnings

- This product should only be used on firm, level ground.
- Do not use any abrasive materials when cleaning.
- From time to time check that there are no loose bolts on this unit.

## Care and maintenance

### IMPORTANT MAINTENANCE AND CLEANING INFORMATION DO NOT REMOVE (CARING FOR YOUR PRODUCT)

Outlined below are general care instructions that will prolong the look and life by preventing wear and damage.

**PLEASE NOTE THAT THE MANUFACTURER IS NOT LIABLE FOR ANY DEFECTS CAUSED BY MISUSE, NON COMPLIANCE WITH THESE INSTRUCTIONS**

PU - PVC etc.

#### General Care Advice

- Dust regularly with a clean dry cloth.
- Wipe up any liquid spills immediately with a damp cloth and then dry the surface with a clean dry duster.
- Repeat this procedure for periodic cleaning.
- Solid spills (Butter, Food & Mud) - Remove excess with a blunt Knife before dabbing to clean stains.
- The use of furniture polish or spray is not necessary or recommended.

#### What Not To Do - Do Not Soak

- Never rub or scrub with a wet cloth to remove spills or stains as this could remove colour.
- Do not use washing up liquid, detergents, or bleach to remove stains.

#### Cleaning:

We recommend Professional Cleaning only for this product, to prevent excessive build-up of dirt and soiling.

#### Sunlight and Heat

- Direct sunlight or heat can cause fabrics to deteriorate or fade - Place your furniture out of the way of prolonged direct light.
- Reduce exposure by moving items around or changing position so that the same piece of area is not always exposed.
- Avoid placing furniture too close to fires or radiators

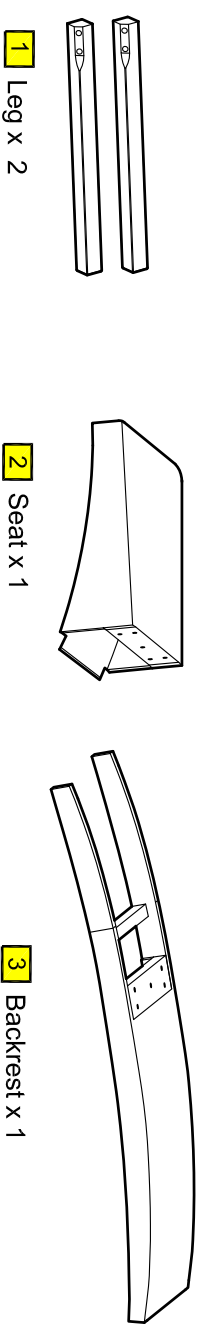
#### Beware of Sharp objects

Sharp objects such as buckles and jewellery can easily snag on the fabric and produce tears and marks in the fabric.

# Components - Parts

If you have damaged or missing components, call the Customer Helpline: Argos = 0835 6400800

## Please check you have all the parts listed below



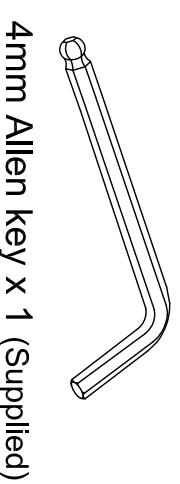
# Components - Fittings

## Please check you have all the parts listed below

**Note:** the quantities below are the correct amount to complete the assembly. In some cases more fittings may be supplied than are required.

<b>A</b>		<b>B</b>		<b>C</b>	
	M6x18 Plain Washer x 9		M6 Lock Washer x 9		M6x60mm Bolt x 9

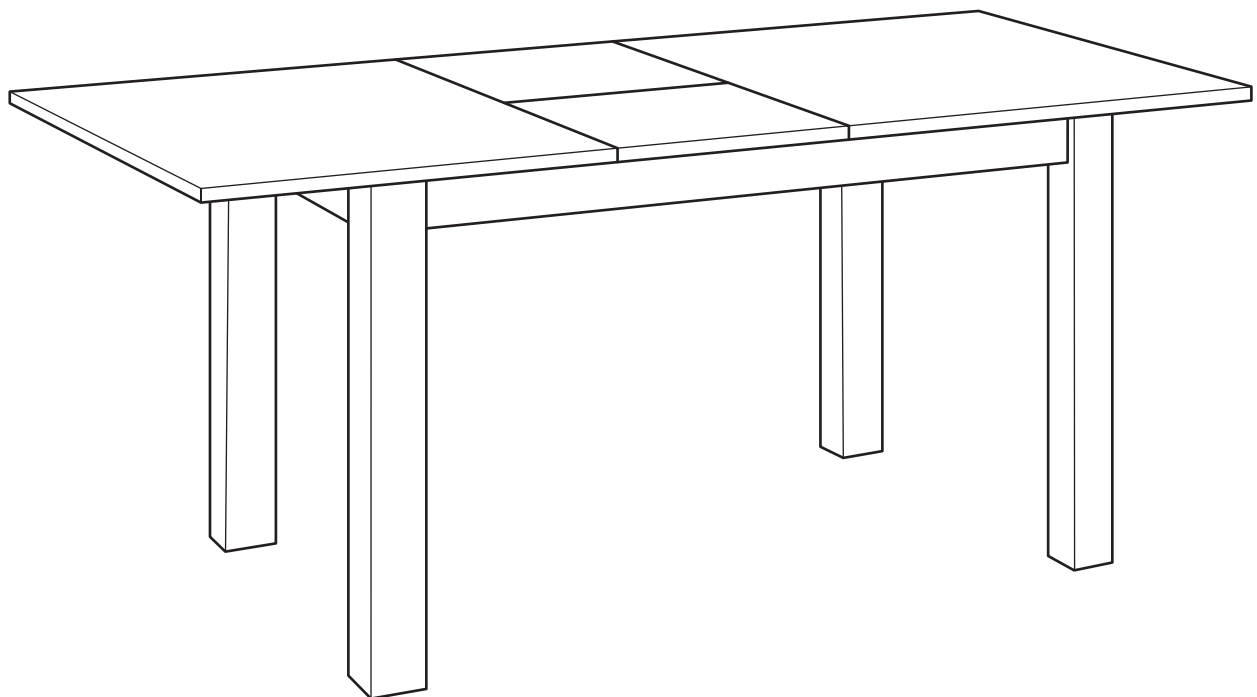
## Please check you have all the parts listed below



# hastings extendable table

Assembly Instructions - Please keep for future reference

426/7148



## Dimensions

Length - 140/179.5cm

Width - 90cm

Height - 74.5cm

**Important** - Please read these instructions fully before starting assembly

If you need help or have damaged or missing parts, call the **Customer Helpline:**  
**Argos = 0345 640 0800**



# Safety and Care Advice

## Important - Please read these instructions fully before starting assembly

- Check you have all the components and tools listed on the following pages.
- Remove all fittings from the plastic bags and separate them into their groups.
- Keep children and animals away from the work area, small parts could choke if swallowed.
- Make sure you have enough space to layout the parts before starting.

- During assembly do not stand or put weight on the product, this could cause damage.
- Assemble the item as close to its final position (in the same room) as possible.
- Assemble on a soft level surface to avoid damaging the unit or your floor.
- Parts of the assembly will be easier with 2 people.



• We do not recommend the use of power drill/drivers **for inserting screws**, as this could damage the unit. Only use hand screwdrivers.

- Unit weight: 56 kgs.

## Care and maintenance

- Only clean using a damp cloth and mild detergent, do not use bleach or abrasive cleaners.
- From time to time check that there are no loose screws on this unit.

- Do not stand on the product.
- Always lift the product when moving it around. Never drag.
- Please note wood is a natural material, some slightly colour

and grain variation and natural marks will be present.

- This product should not be discarded with household waste. Take to your local authority waste disposal centre.

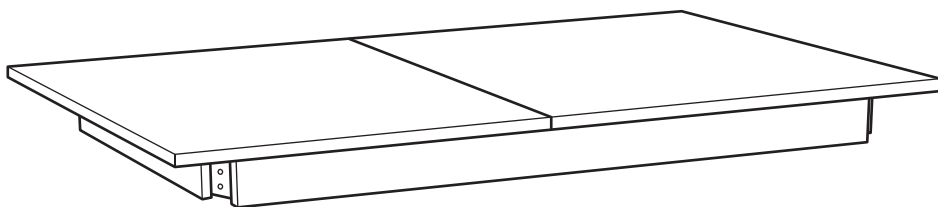
## Handy Hints

- Assemble all parts and bolts loosely during assembly, only once the product is complete should you fully tighten the bolts.
- Regularly check and ensure that all bolts and fittings are tightened properly.

# Components - Parts

If you have damaged or missing components, call the Customer Helpline: Argos = 0345 640 0800

Please check you have all the parts listed below



**1** Table top  
(140/179.5 x 90 x 12cm)

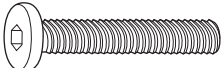






**2** Leg x 4  
(9.5 x 9.5 x 72cm)

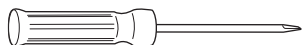
# Components - Fittings

Please check you have all the fittings listed below

**Note:** The quantities below are the correct amount to complete the assembly. In some cases more fittings may be supplied than are required.

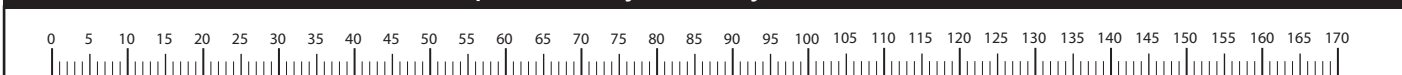
<p><b>A</b>  M8 x 60mm Bolt x 8</p>	<p><b>B</b>  Spring Washer x 8</p>	<p><b>C</b>  Washer x 8</p>
<p><b>D</b>  Allen Key x 1</p>	<p><b>E</b>  Foot Pads x 4</p>	

## Tools required



Flathead screwdriver

## Ruler - Use this ruler to help correctly identify the screws



# Assembly Instructions

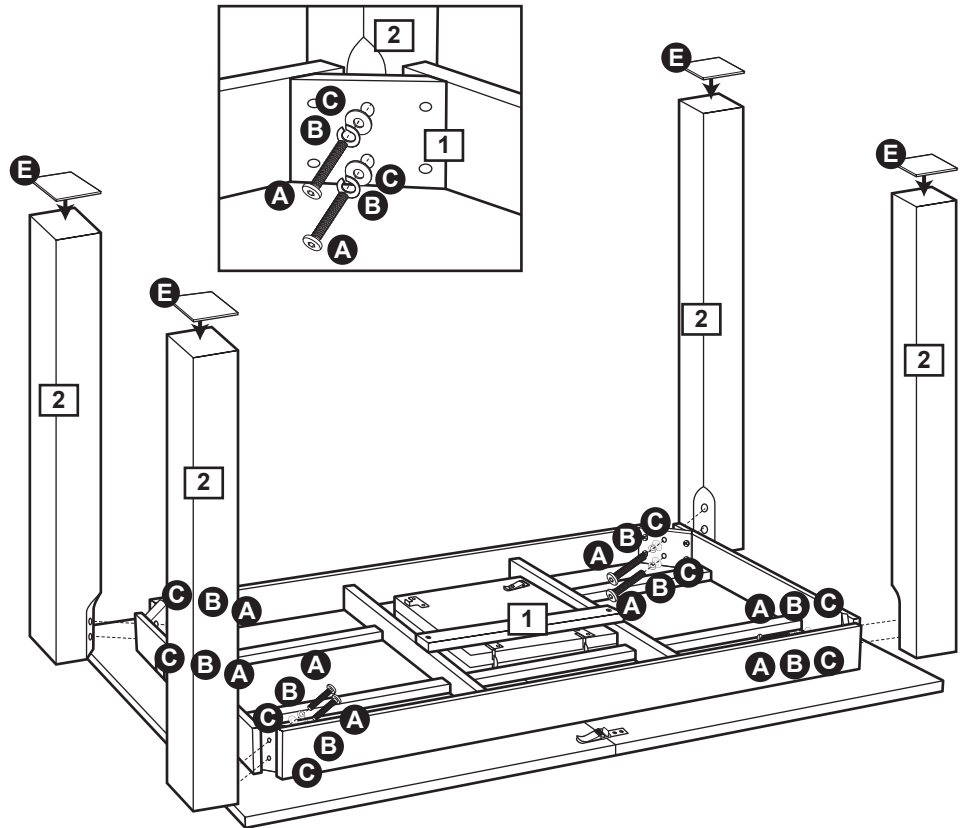
## Step 1

### Attaching legs

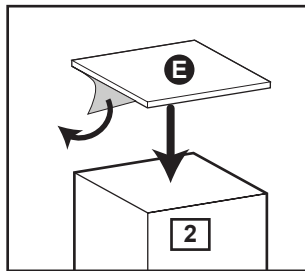
Place the table top **1** on a flat protected surface.

Position the legs **2** on the table top and fix using bolts **A**, spring washers **B** & flat washers **C** as shown.

Tighten bolts using allen key **D**.



Remove backing from foot pads **E** and carefully position on the bottom of the legs **2** as shown.

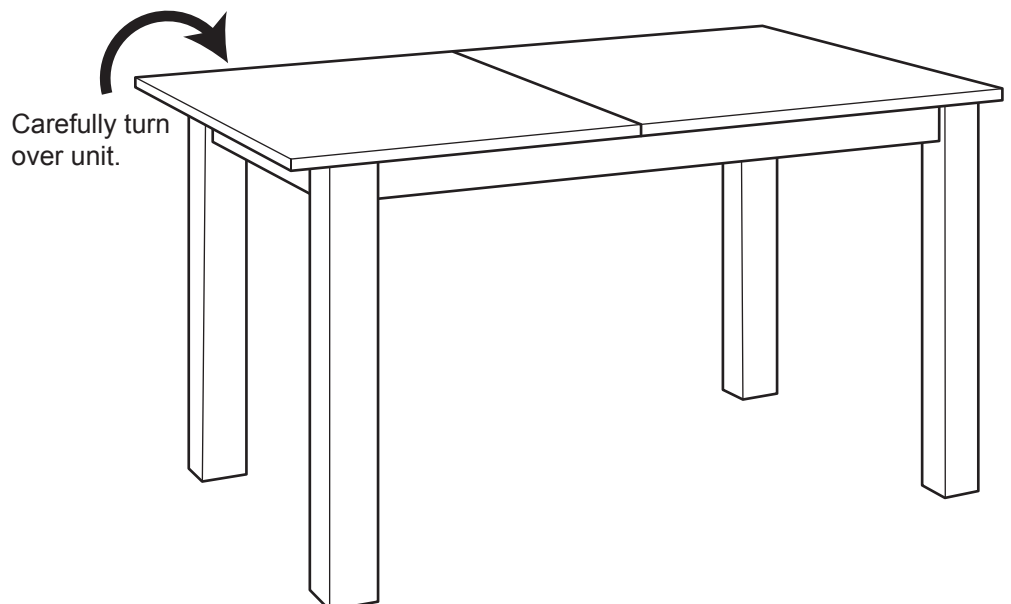


Carefully turn over the table and place on a firm surface.



### **Important:**

This table is heavy. At least 2 people are required to lift this table.



**Assembly is complete.**



# Operation Instructions

## Step 1

### Extending table top

**a:** Release the 2 locks under the table top.

**b:** With two persons on each end of the table, carefully pull out the table top as shown.

**c:** Pull out the middle extension top as shown.

**d:** Open up the middle extension top.

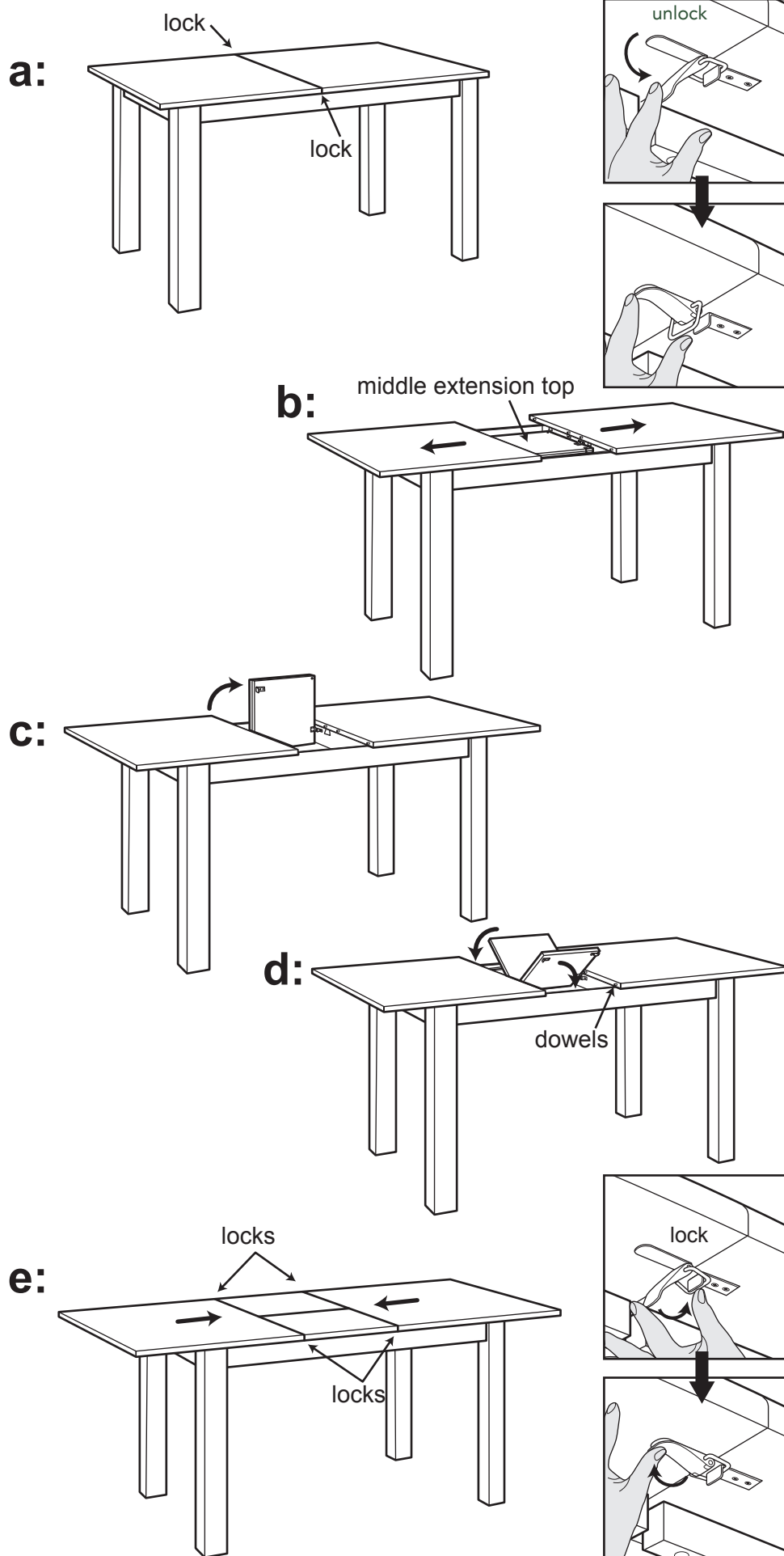
**e:** Push the table top back in.

Firmly close the gaps by aligning and inserting the dowels with the holes on the edge of the table tops.

Fasten the 4 locks under the table top.



**Warning:** Keep hands away from gaps when adjusting table tops.



# Operation Instructions

## Step 2

### Retracting table top

**a:** Release the 4 locks under the table top.

**b:** With two persons on each end of the table, carefully pull out the table top as shown.

**c:** Pull up the middle extension top as shown.

**d:** Fold down the middle extension top.

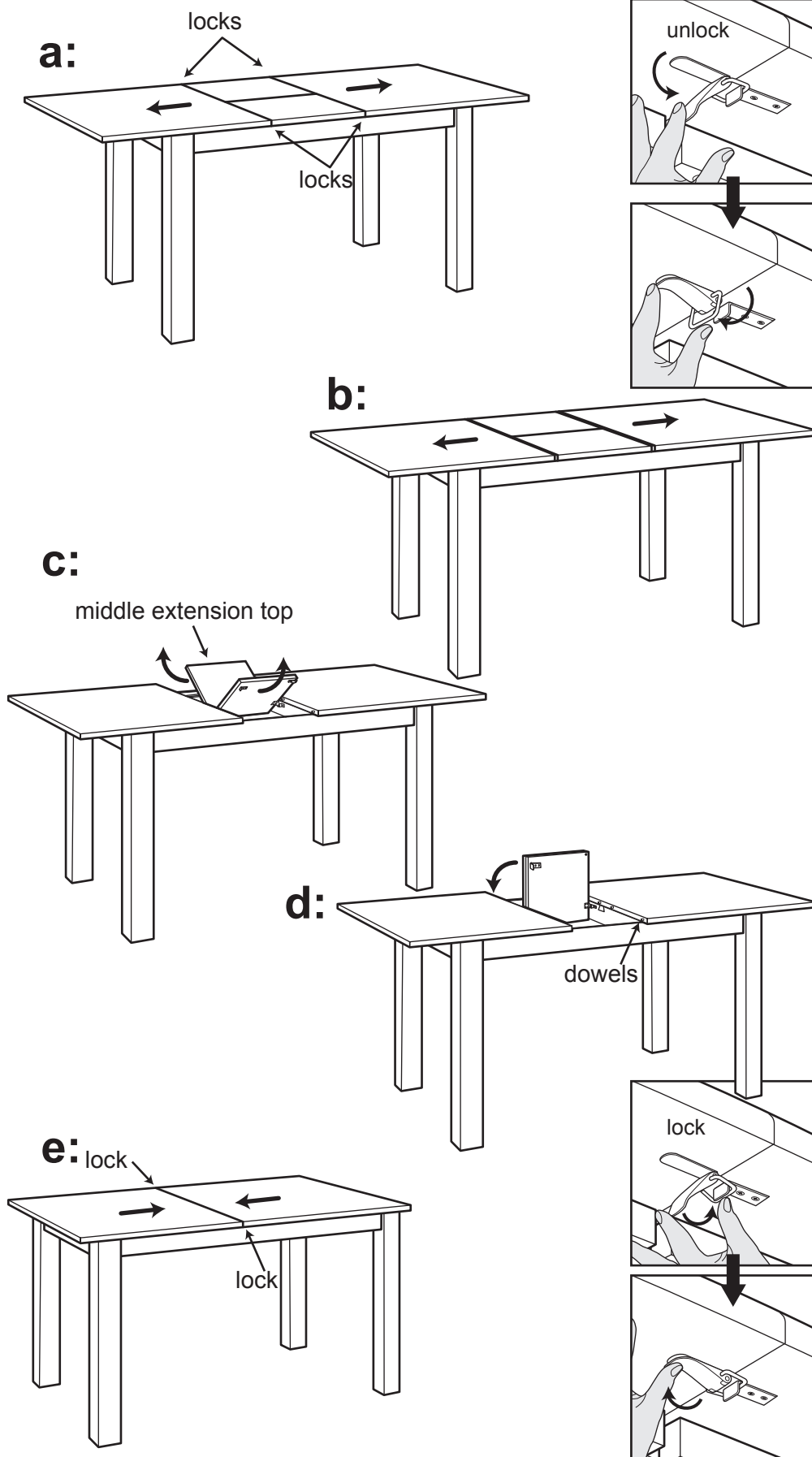
**e:** Push the table top back in.

Firmly close the gaps by aligning and inserting the dowels with the holes on the edge of the table tops.

Fasten the 2 locks under the table top.



**Warning:** Keep hands away from gaps when adjusting table tops.



If you need help or have damaged or missing parts, call the **Customer Helpline:**  
**Argos = 0345 640 0800**