

# Dining Chair

Assembly Instructions - Please keep for future reference

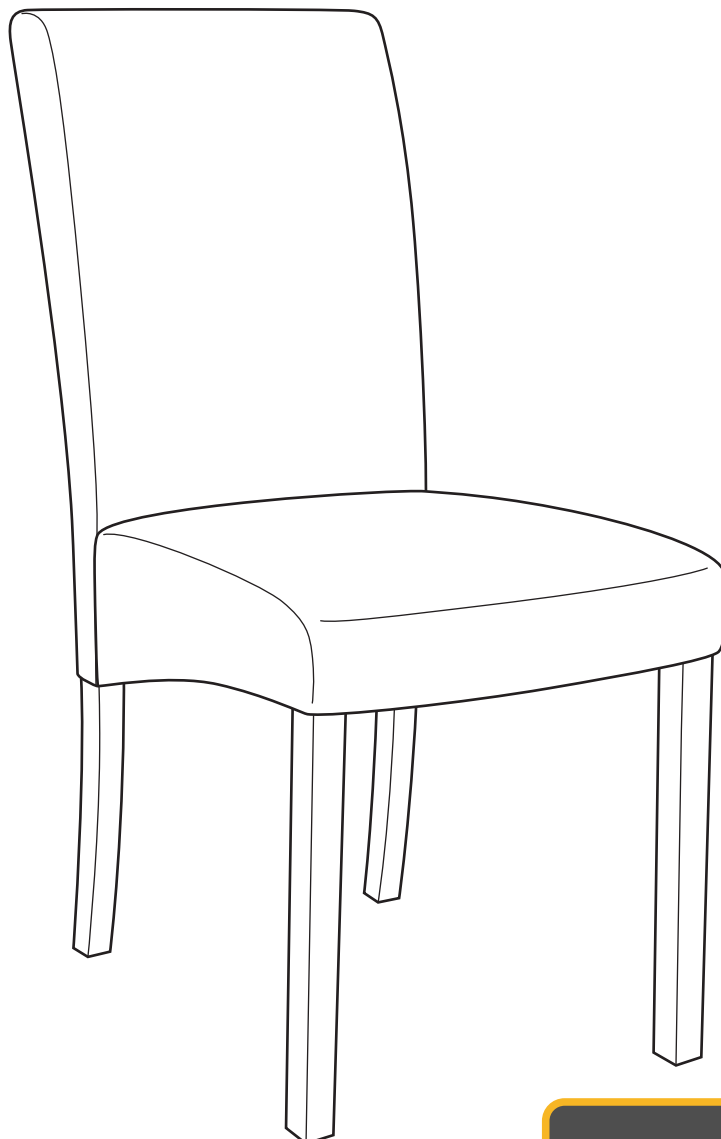
258/1905

237/9791

391/5525

417/6181

424/2778



## Dimensions

Width - 44cm

Depth - 56cm

Height - 95cm



Stabilylne seat:  
Patented, Recyclable & just plain **TOUGH!**

**Important** - Please read these instructions fully before starting assembly

If you need help or have damaged or missing parts, call the **Customer Helpline:**  
**Argos = 0345 640 0800**



# Safety and Care Advice

## Important - Please read these instructions fully before starting assembly

- Check you have all the components and tools listed on the following pages.
- Remove all fittings from the plastic bags and separate them into their groups.
- Keep children and animals away from the work area, small parts could choke if swallowed.
- Make sure you have enough space to layout the parts before starting.
- During assembly do not stand or put weight on the product, this could cause damage.

- Assemble the item as close to its final position (in the same room) as possible.
- Assemble on a soft level surface to avoid damaging the unit or your floor.
- Parts of the assembly will be easier with 2 people.
- Do not stand on the chair.
- Do not use the chair as a step ladder.
- Unit weight: 5.3 kgs.
- Maximum safe weight of user: 110kgs.



- To reduce the likelihood of damaging your product please ensure that your power drill is set on a low torque setting.

## Care and maintenance

- Only clean using a damp cloth and mild detergent, do not use bleach or abrasive cleaners.
- From time to time check that there are no loose screws on this unit.
- This product should not be discarded with household waste. Take to your local authority waste disposal centre.

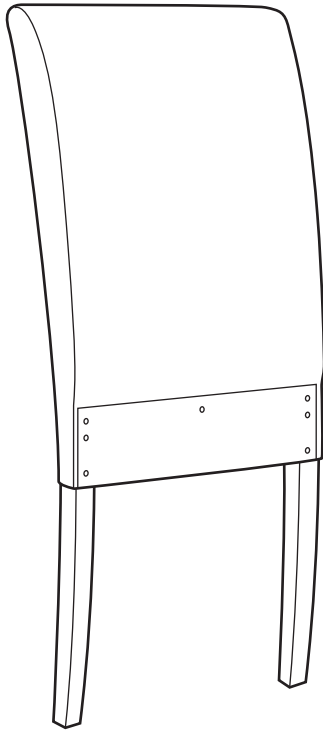
## Handy Hints

- Assemble all parts and bolts loosely during assembly, only once the product is complete should you fully tighten the bolts.
- Regularly check and ensure that all bolts and fittings are tightend properly.

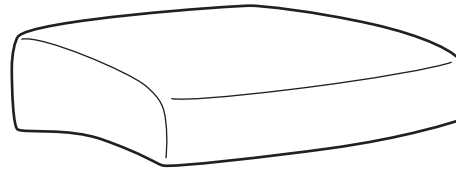
# Components - Parts

If you have damaged or missing components, call the  
Customer Helpline: Argos = 0345 640 0800

Please check you have all the parts listed below



**1** Backrest  
(36 x 10.5 x 95cm)



**2** Seat  
(44 x 41.5 x 17cm)

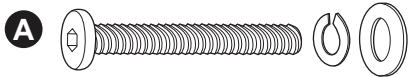


**3** Leg x 2  
(3 x 3 x 43cm)

# Components - Fittings

Please check you have all the fittings listed below

**Note:** The quantities below are the correct amount to complete the assembly. In some cases more fittings may be supplied than are required.



**A** M6 x 50mm Bolt with  
spring washer & flat washer x 11



**B** Allen key x 1



**C** Foot pad x 4

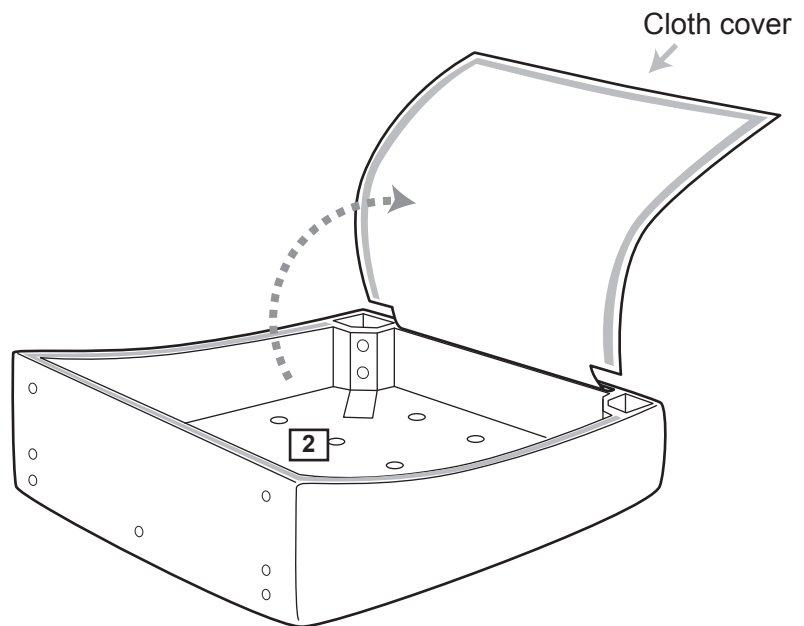
# Assembly Instructions

## Step 1

### Opening cloth cover

Place the backrest **2** on a flat protected surface.

Carefully peel off bottom cloth cover of seat by pulling the cloth from the back side of the seat as shown.



## Step 2

### Attaching legs

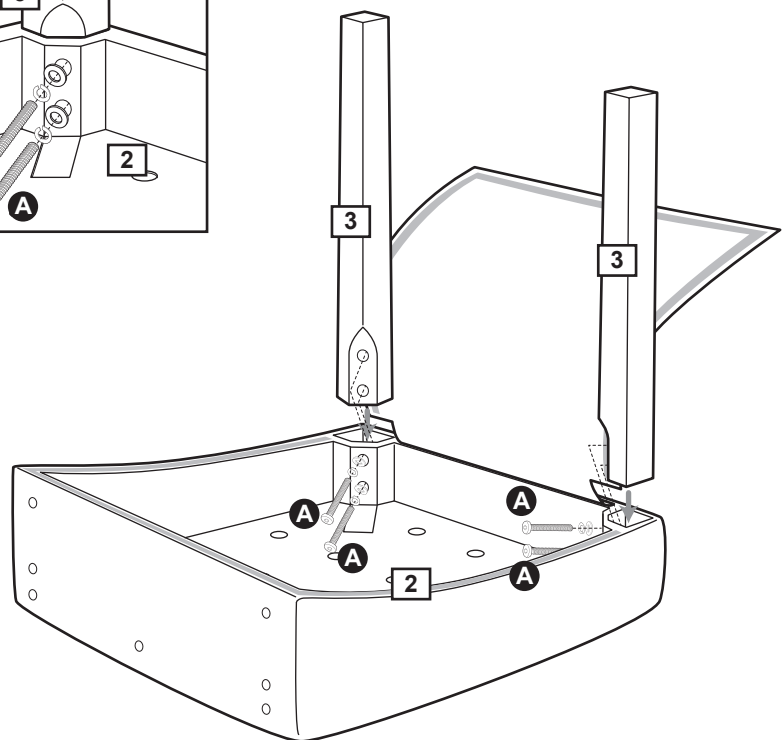
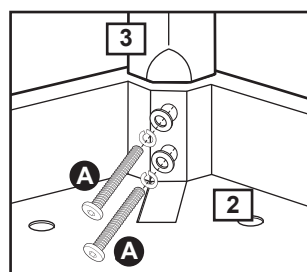
Insert the legs **3** into the holes of the seat **2** as shown and fix using bolts with spring washers & flat washers **A**.



#### **Important:**

Fasten bolts using allen key **B** but do not fully tighten at this stage.

Use oval head of allen key when tightening bolts on corner positions.



# Assembly Instructions

## Step 3

### Attaching the seat

Place the backrest **1** on a flat protected surface as shown.

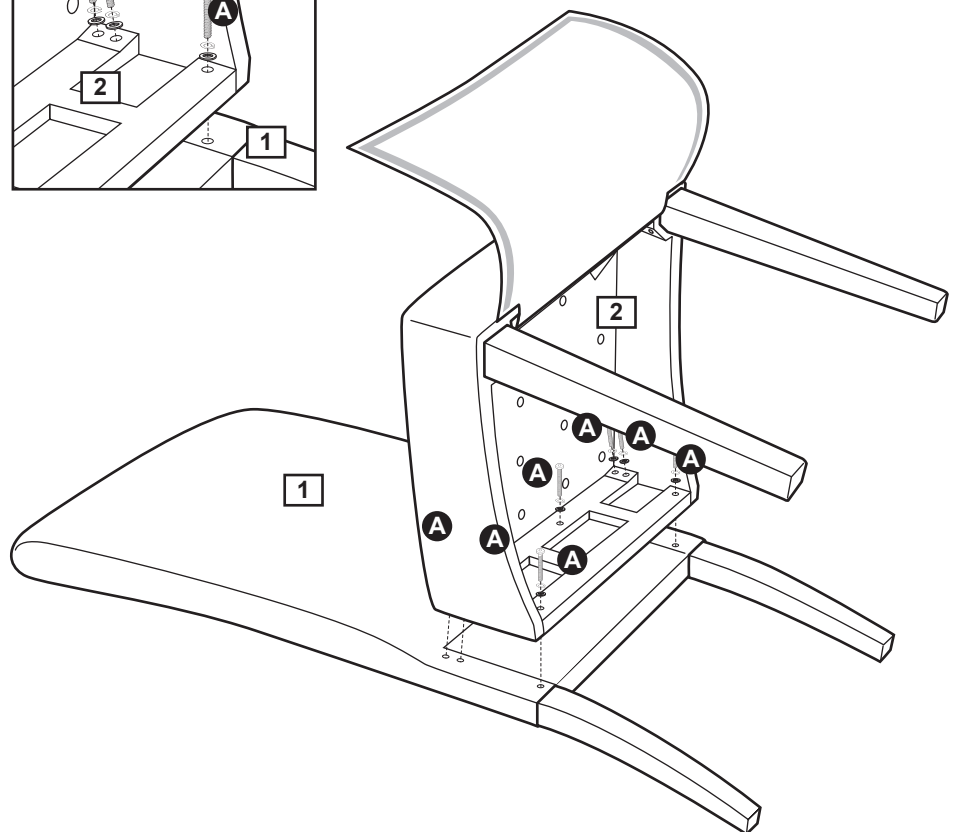
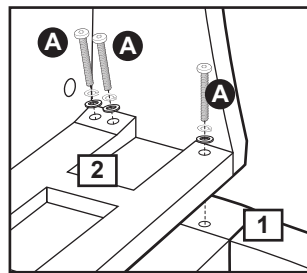
Position the seat **2** on the backrest **1** as shown and fix using bolts with spring washers & flat washers **A**.



#### **Important:**

Fasten bolts using allen key **B** but do not fully tighten at this stage.

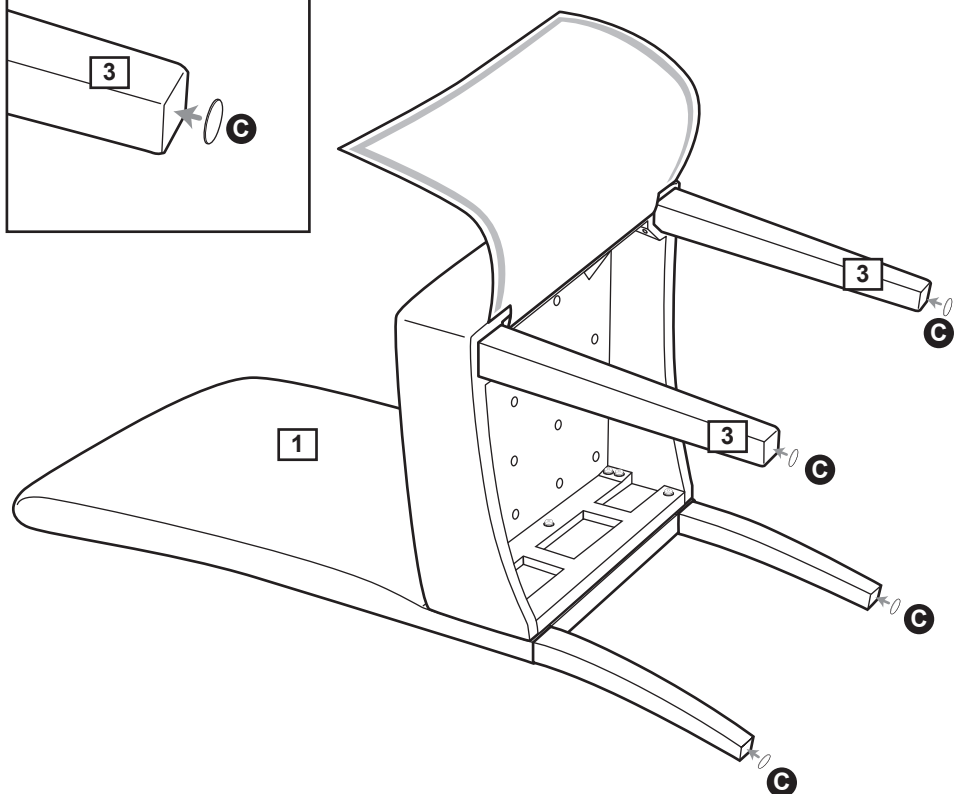
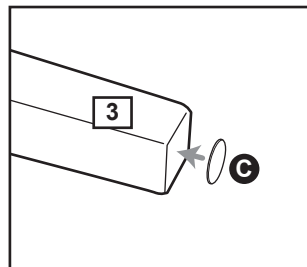
Use oval head of allen key when tightening bolts on corner positions.



## Step 4

### Attaching foot pads

Remove backing from foot pads **C** and carefully position on the bottom of the legs **1** & **3** as shown.



# Assembly Instructions

## Step 5

### Aligning & securing the legs

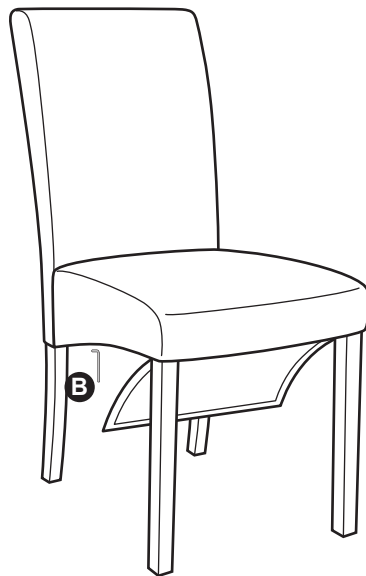
Carefully turn the chair upright and place on a flat surface.

**a:** Tighten all bolts using allen key **B**.

**Note:** Use oval head of allen key when tightening bolts on corner positions.

**Note:** This step is essential to prevent the chair from wobbling due to uneven legs.

**a:**



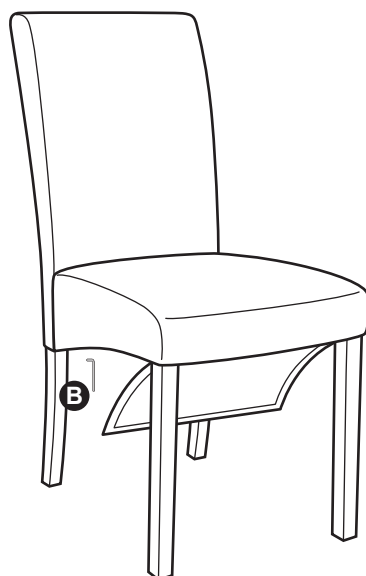
**b:** Carefully sit on the chair and make adjustments to ensure the legs are flat even on the floor.

**c:** After the sitting test, re-tighten bolts again if any adjustment is needed.

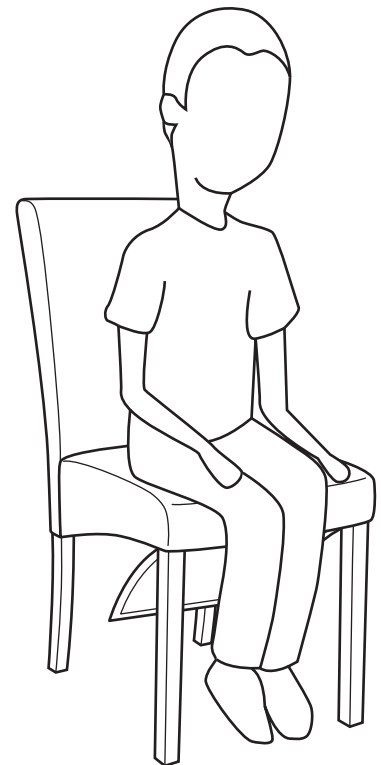
**Note:** It is highly recommended to re-tighten all bolts after using the chair for 7 days.

**Note:** Keep allen key to re-tighten bolts when required.

**c:**



**b:**

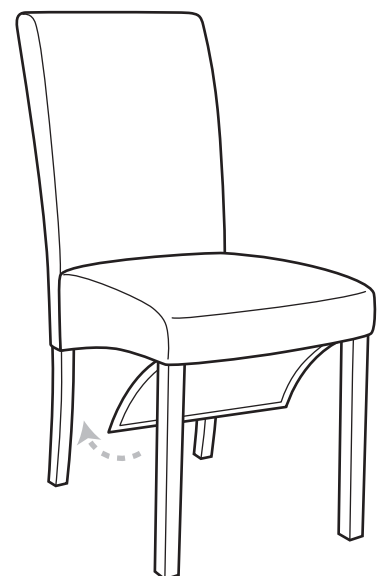


### d: Re-attaching the bottom cloth cover

Re-attach the bottom cloth cover as shown.

**Assembly is complete.**

**d:**

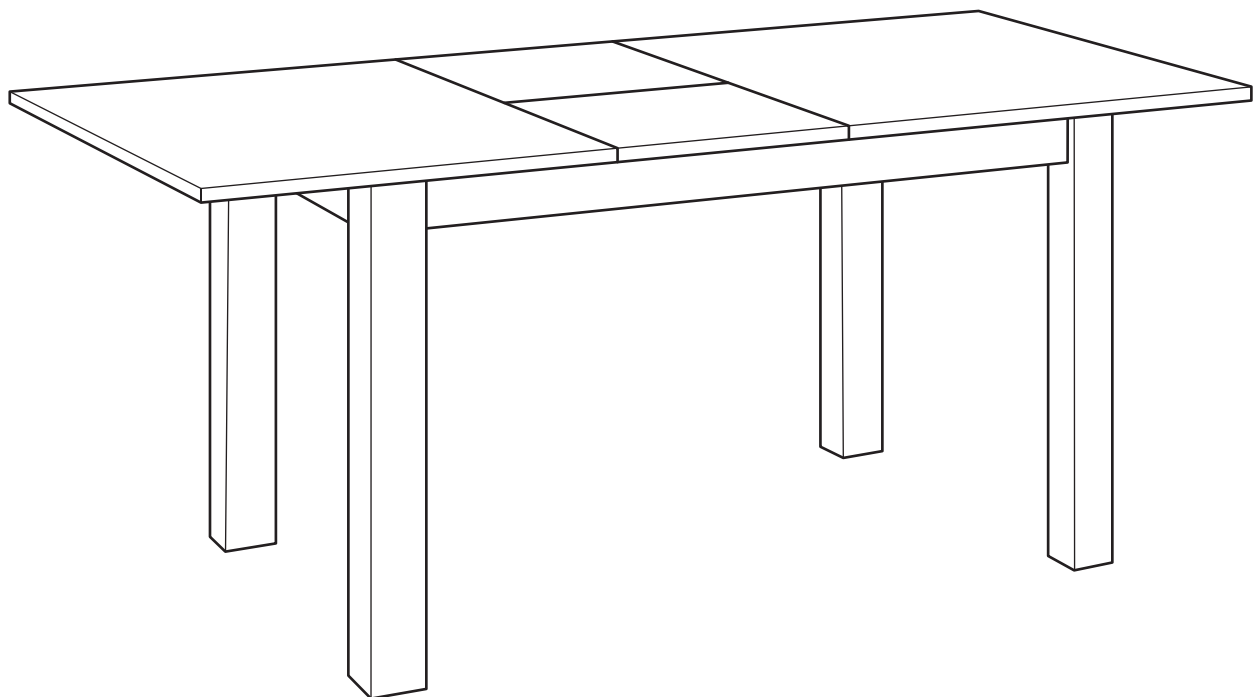


If you need help or have damaged or missing parts, call the **Customer Helpline:**  
**Argos = 0345 640 0800**

# hastings extendable table

Assembly Instructions - Please keep for future reference

426/7148



## Dimensions

Length - 140/179.5cm

Width - 90cm

Height - 74.5cm

**Important** - Please read these instructions fully before starting assembly

If you need help or have damaged or missing parts, call the **Customer Helpline:**  
**Argos = 0345 640 0800**



# Safety and Care Advice

## Important - Please read these instructions fully before starting assembly

- Check you have all the components and tools listed on the following pages.
- Remove all fittings from the plastic bags and separate them into their groups.
- Keep children and animals away from the work area, small parts could choke if swallowed.
- Make sure you have enough space to layout the parts before starting.

- During assembly do not stand or put weight on the product, this could cause damage.
- Assemble the item as close to its final position (in the same room) as possible.
- Assemble on a soft level surface to avoid damaging the unit or your floor.
- Parts of the assembly will be easier with 2 people.



• We do not recommend the use of power drill/drivers **for inserting screws**, as this could damage the unit. Only use hand screwdrivers.

- Unit weight: 56 kgs.

## Care and maintenance

- Only clean using a damp cloth and mild detergent, do not use bleach or abrasive cleaners.
- From time to time check that there are no loose screws on this unit.

- Do not stand on the product.
- Always lift the product when moving it around. Never drag.
- Please note wood is a natural material, some slightly colour

and grain variation and natural marks will be present.

- This product should not be discarded with household waste. Take to your local authority waste disposal centre.

## Handy Hints

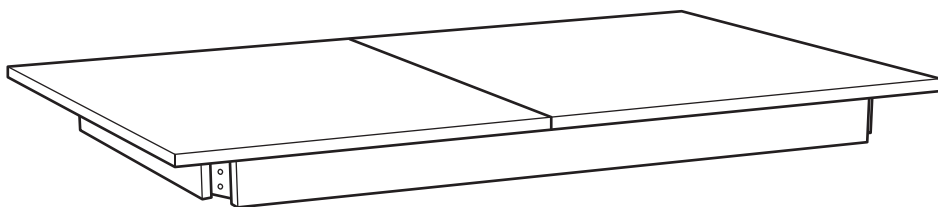
- Assemble all parts and bolts loosely during assembly, only once the product is complete should you fully tighten the bolts.
- Regularly check and ensure that all bolts and fittings are tightened properly.



# Components - Parts

If you have damaged or missing components, call the Customer Helpline: Argos = 0345 640 0800

Please check you have all the parts listed below



**1** Table top  
(140/179.5 x 90 x 12cm)

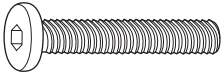






**2** Leg x 4  
(9.5 x 9.5 x 72cm)

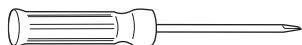
# Components - Fittings

Please check you have all the fittings listed below

**Note:** The quantities below are the correct amount to complete the assembly. In some cases more fittings may be supplied than are required.

<p><b>A</b>  M8 x 60mm Bolt x 8</p>	<p><b>B</b>  Spring Washer x 8</p>	<p><b>C</b>  Washer x 8</p>
<p><b>D</b>  Allen Key x 1</p>	<p><b>E</b>  Foot Pads x 4</p>	

## Tools required



Flathead screwdriver

## Ruler - Use this ruler to help correctly identify the screws



# Assembly Instructions

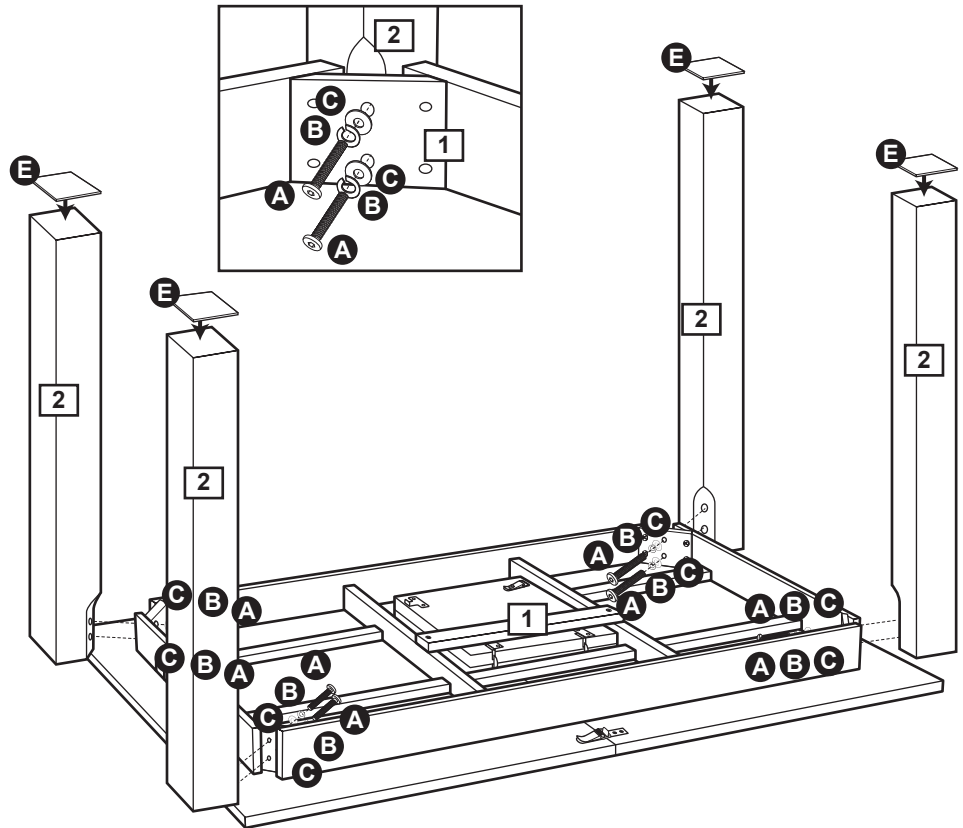
## Step 1

### Attaching legs

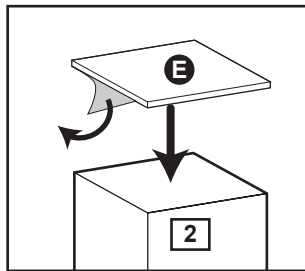
Place the table top **1** on a flat protected surface.

Position the legs **2** on the table top and fix using bolts **A**, spring washers **B** & flat washers **C** as shown.

Tighten bolts using allen key **D**.



Remove backing from foot pads **E** and carefully position on the bottom of the legs **2** as shown.

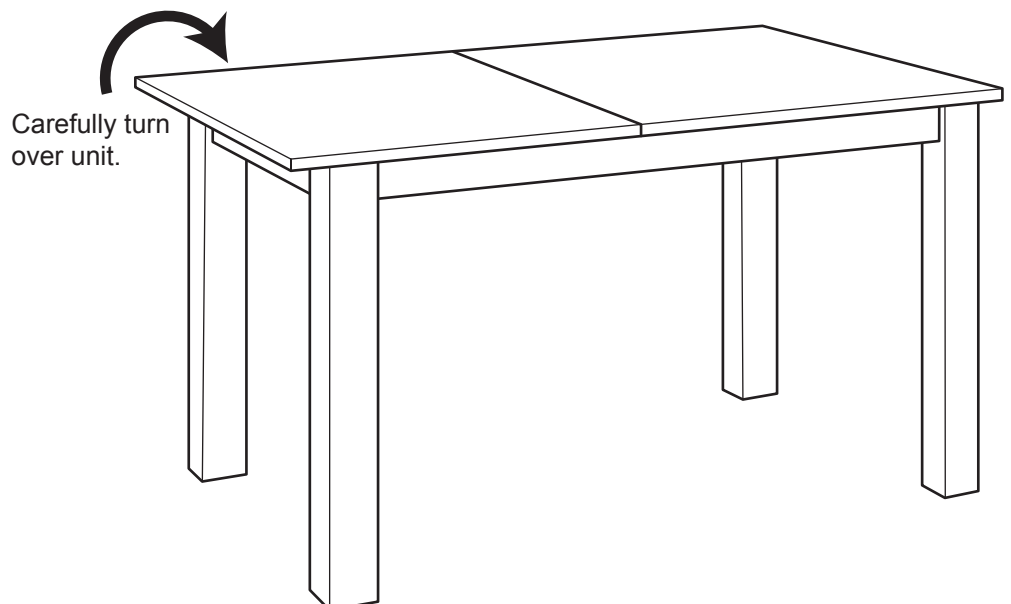


Carefully turn over the table and place on a firm surface.



### **Important:**

This table is heavy. At least 2 people are required to lift this table.



**Assembly is complete.**

# Operation Instructions

## Step 1

### Extending table top

**a:** Release the 2 locks under the table top.

**b:** With two persons on each end of the table, carefully pull out the table top as shown.

**c:** Pull out the middle extension top as shown.

**d:** Open up the middle extension top.

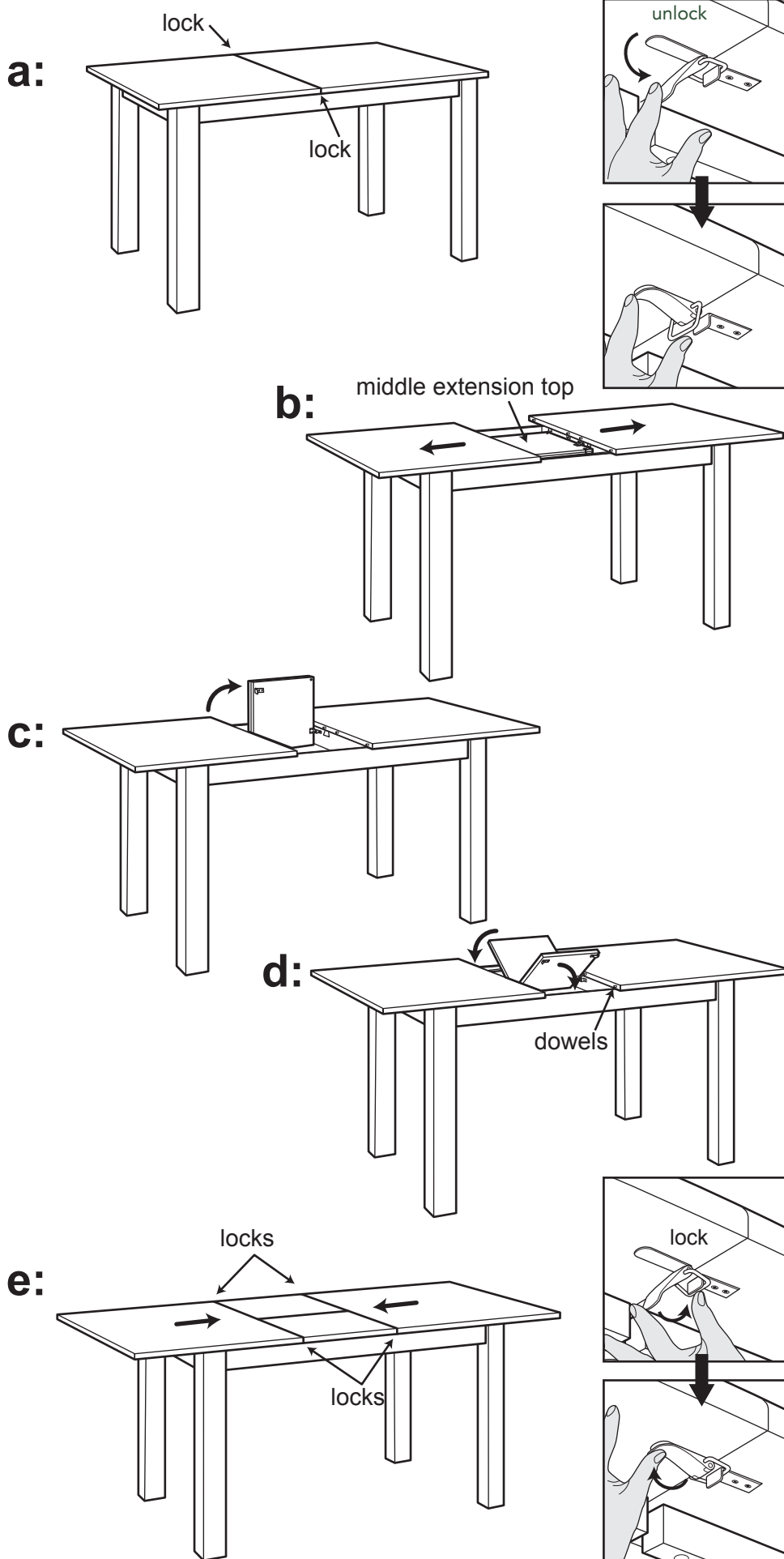
**e:** Push the table top back in.

Firmly close the gaps by aligning and inserting the dowels with the holes on the edge of the table tops.

Fasten the 4 locks under the table top.



**Warning:** Keep hands away from gaps when adjusting table tops.



# Operation Instructions

## Step 2

### Retracting table top

**a:** Release the 4 locks under the table top.

**b:** With two persons on each end of the table, carefully pull out the table top as shown.

**c:** Pull up the middle extension top as shown.

**d:** Fold down the middle extension top.

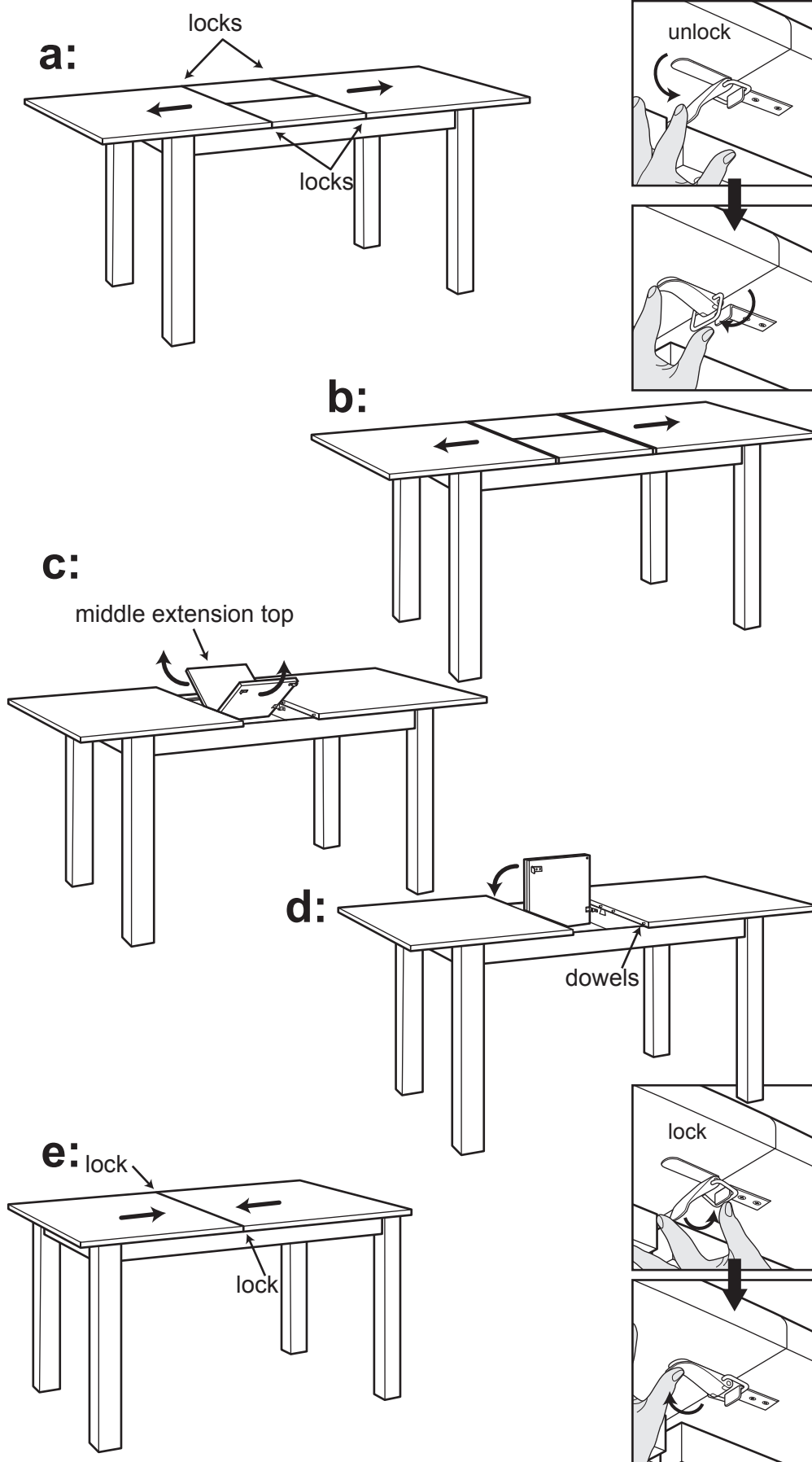
**e:** Push the table top back in.

Firmly close the gaps by aligning and inserting the dowels with the holes on the edge of the table tops.

Fasten the 2 locks under the table top.



**Warning:** Keep hands away from gaps when adjusting table tops.



If you need help or have damaged or missing parts, call the **Customer Helpline:**  
**Argos = 0345 640 0800**