

Border AV Unit

Assembly Instructions – Please keep for future reference

BORD-AV-SS15-A

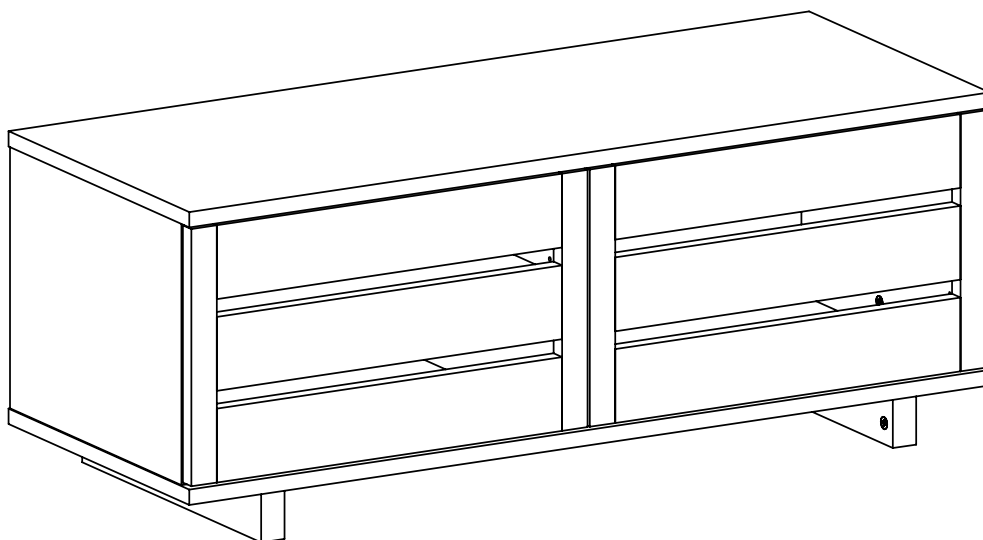
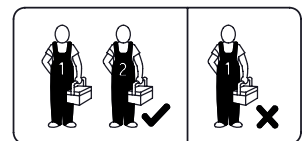
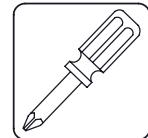
Dimensions

Width - 110cm

Depth - 43cm

Height - 42cm

Tools required



Important – Please read these instructions before assembly

If you need help or have damaged or missing parts, email:
customerservices@habitat.co.uk or call: 0344 499 4686

habitat 



Safety and Care Advice

Important – Please read these instructions fully before starting assembly

Check you have all the components and tools listed on the front cover and pages 2 - 3.

Remove all fittings from the plastic bags and separate them into their groups.

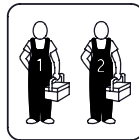
Keep children and animals away from the work area, small parts could choke if swallowed.

Make sure you have enough space to layout the parts before starting.

Do not stand or put weight on the product, this could cause damage.

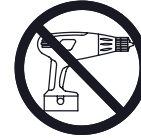
Assemble the item as close to its final position (in the same room) as possible.

Do not place furniture directly in front of radiators, fires or any other source of heat.



Parts of the assembly will be easier with 2 people.

Assemble on a soft level surface to avoid damaging the unit or your floor.



We do not recommend the use of power drill/ drivers **for inserting screws**, as this could damage the unit. Only use hand screwdrivers.

Dispose of all packaging carefully and responsibly.

General care and maintenance

Dust regularly with a clean dry cloth.

Wipe up any spills immediately with a damp cloth and then dry the surface with a clean dry duster.

Repeat this procedure for periodic cleaning.

The use of furniture polish or spray is not necessary or recommended.

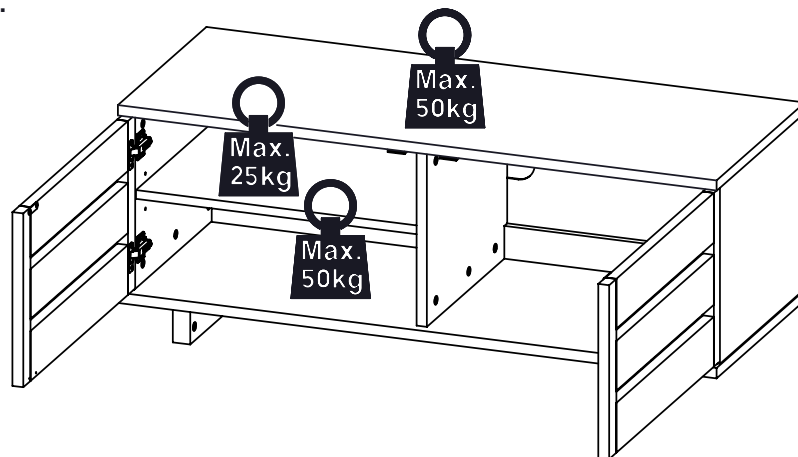
Always use place mats and coasters to protect the surface from moisture and heat.

From time to time check that there are no loose screws on this unit.

This product should not be discarded with household waste. Take to your local authority waste disposal centre.

Maximum weight limit

Important:
max load for shelf is shown below.



General information

If for any reason you should have problems with your Habitat product, please contact the store from which you purchased it.

Please retain your receipt as proof of purchase.

If you have any comment or suggestions regarding this product, assembly instructions or service.

Received, please contact the store or Habitat Head Office via its web site: www.habitat.co.uk

or write directly to:
Habitat Retail Ltd.
489-499 Avebury Boulevard,
Milton Keynes MK9 2NW

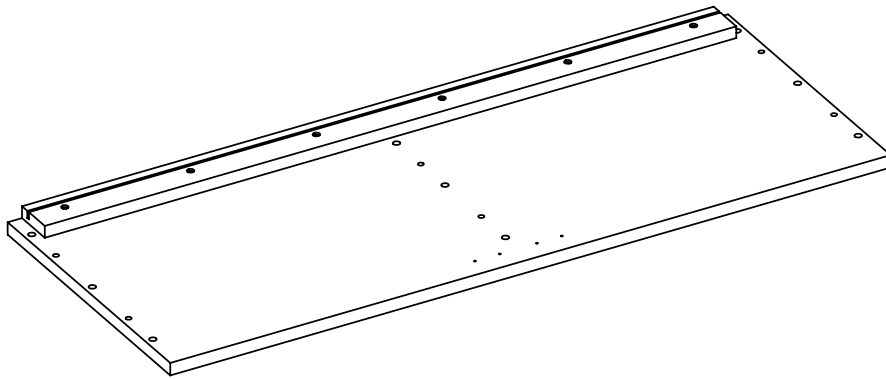
Components - Panels

If you need help or have damaged or missing parts, email: customerservices@habitat.co.uk or call: 0344 499 4686

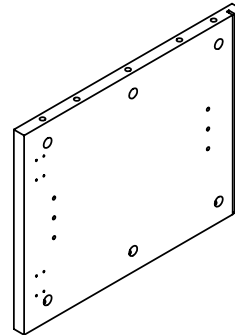
Please check you have all the panels listed below



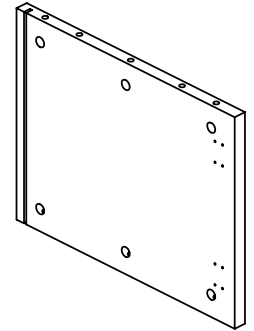
Note: There are 'Batch Code' labels where shown on the indicated items, these should be retained.



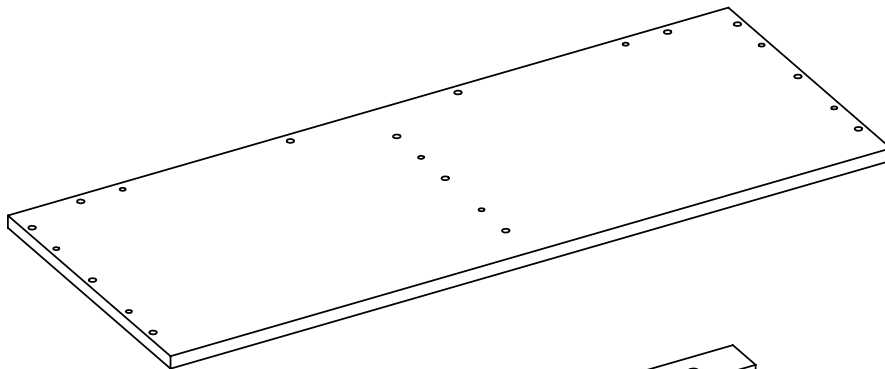
1. Top



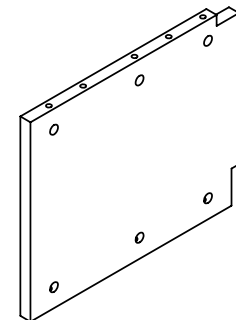
2. Left side



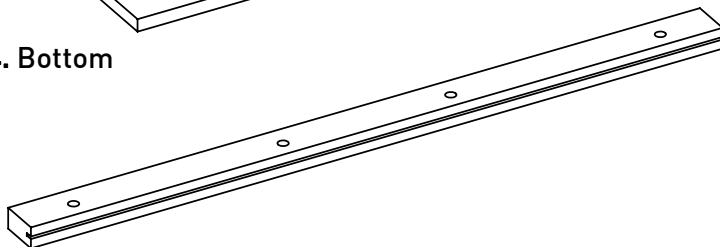
3. Right side



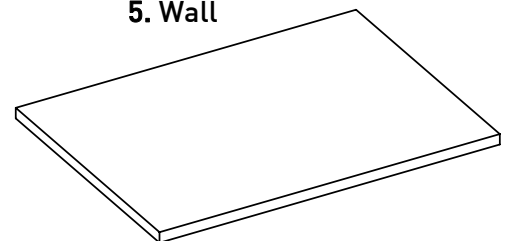
4. Bottom



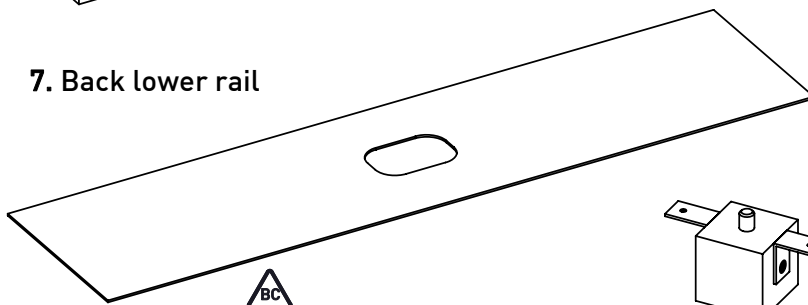
5. Wall



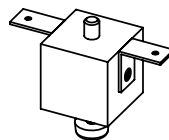
7. Back lower rail



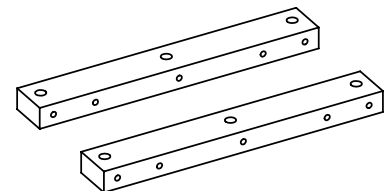
6. Adjustable shelf x 2



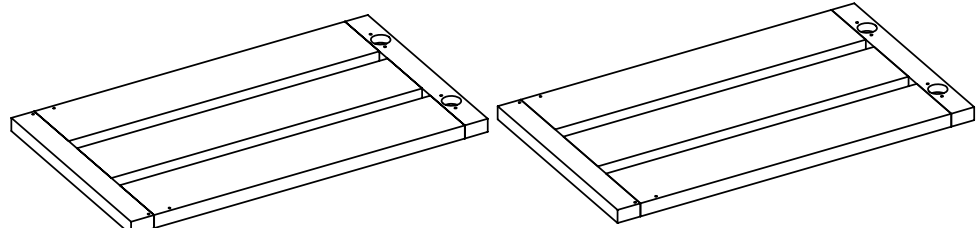
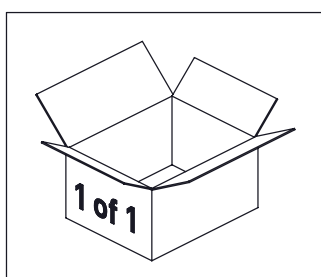
8. Back panel



10. Adjustable foot



9. Foot x 2



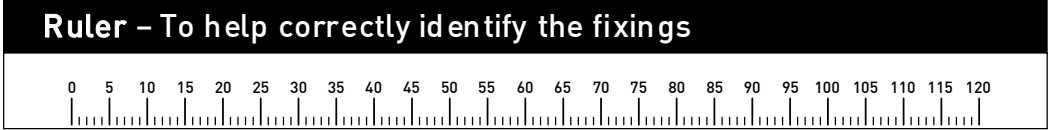
11. Door x 2


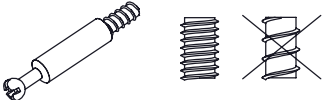
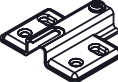

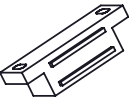

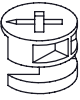




Components - Fittings If you need help or have damaged or missing parts, email: customerservices@habitat.co.uk or call: 0344 499 4686

Please check you have all the fixings listed below



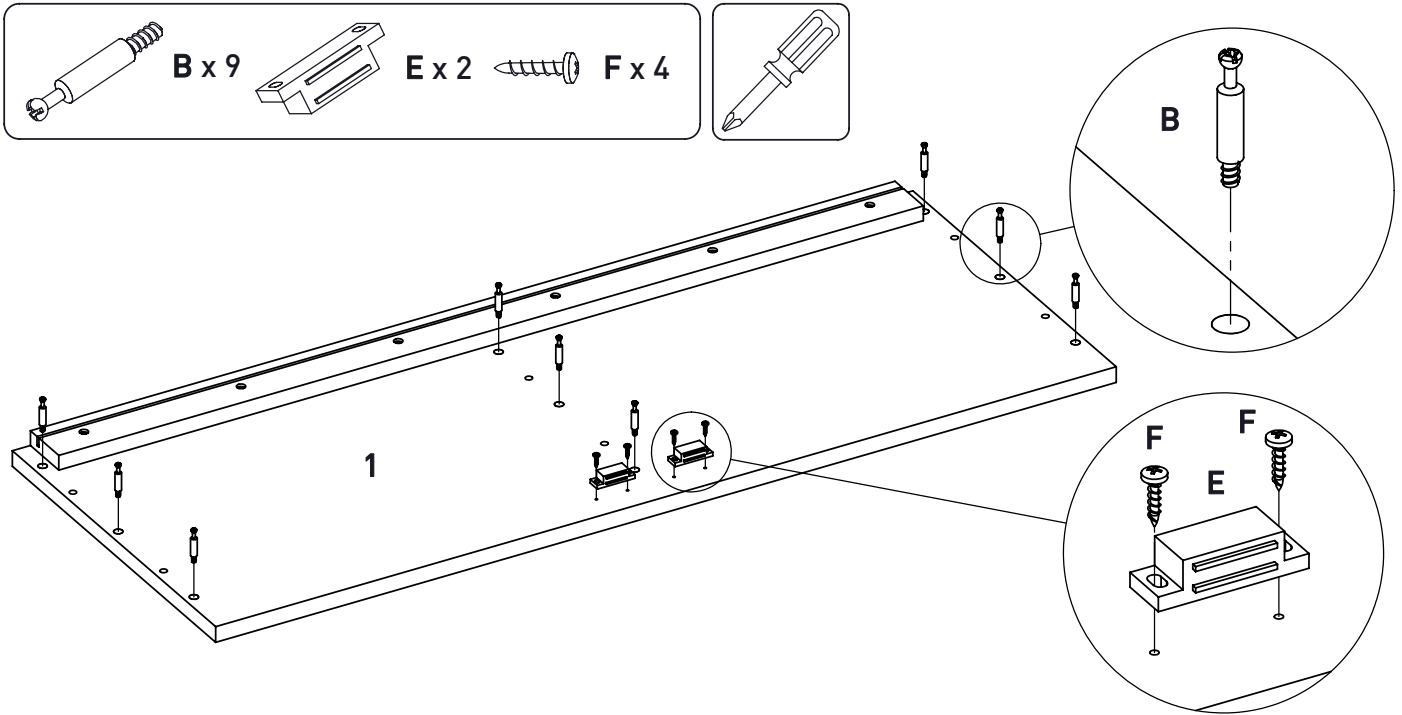
Note: The quantities below are the correct amount to complete the assembly. In some cases more fittings may be supplied than are required.



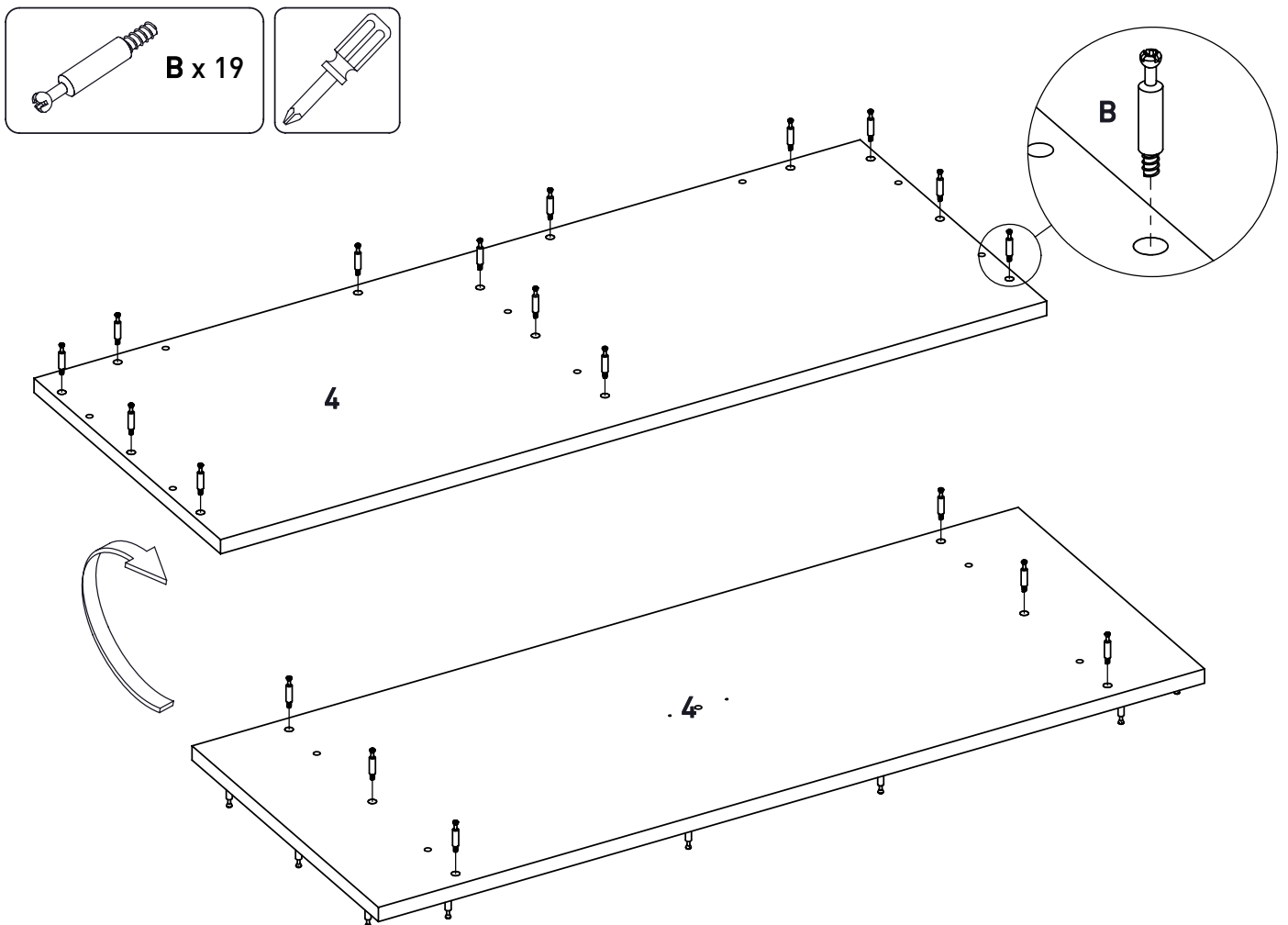
<p>A </p> <p>Ø8x30mm Wooden dowels x 18</p>	<p>B </p> <p>Ø6x41mm Metal dowels x 28</p>	<p>C </p> <p>Ø26mm Hinge plates x 4</p>
<p>D </p> <p>Ø4x14mm Screws x 26</p>	<p>E </p> <p>Magnetic catches x 2</p>	<p>F </p> <p>Ø3.5x16mm Screws x 4</p>
<p>G </p> <p>Ø15x15mm Locking cams x 28</p>	<p>H </p> <p>Shelf supports x 4</p>	<p>K </p> <p>Magnetic catch plates x 2</p>
<p>M </p> <p>Ø26mm Hinges x 4</p>	<p>P </p> <p>Ø3x12mm Screws x 4</p>	

Assembly Instructions

Step 1



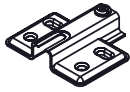
Step 2



Step 3



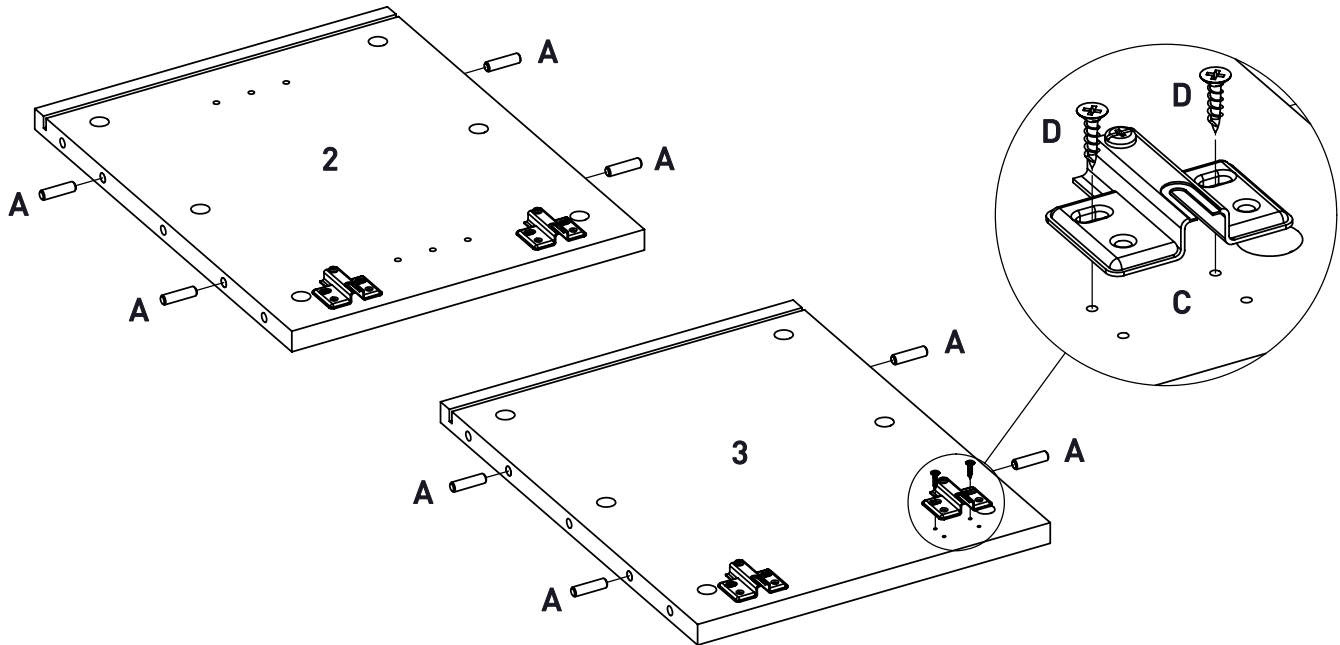
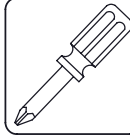
A x 8



C x 4



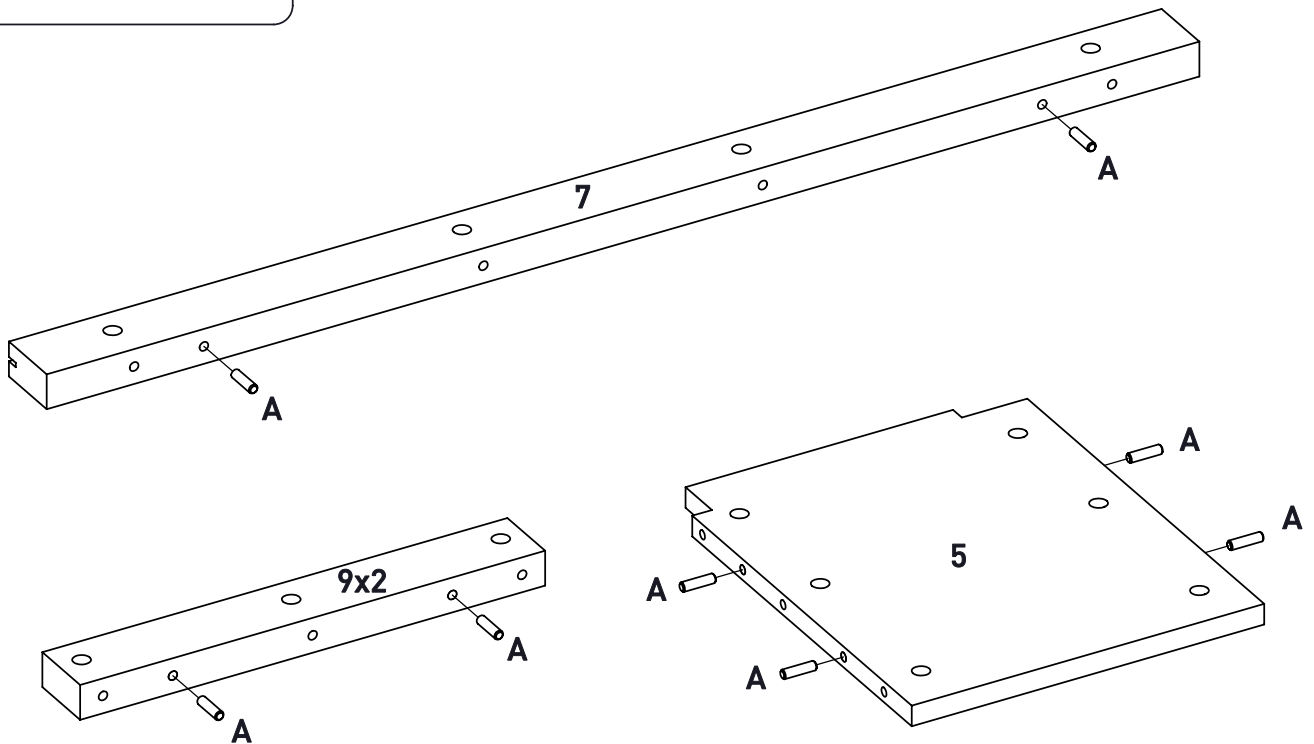
D x 8



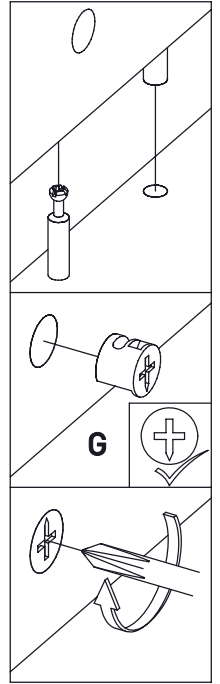
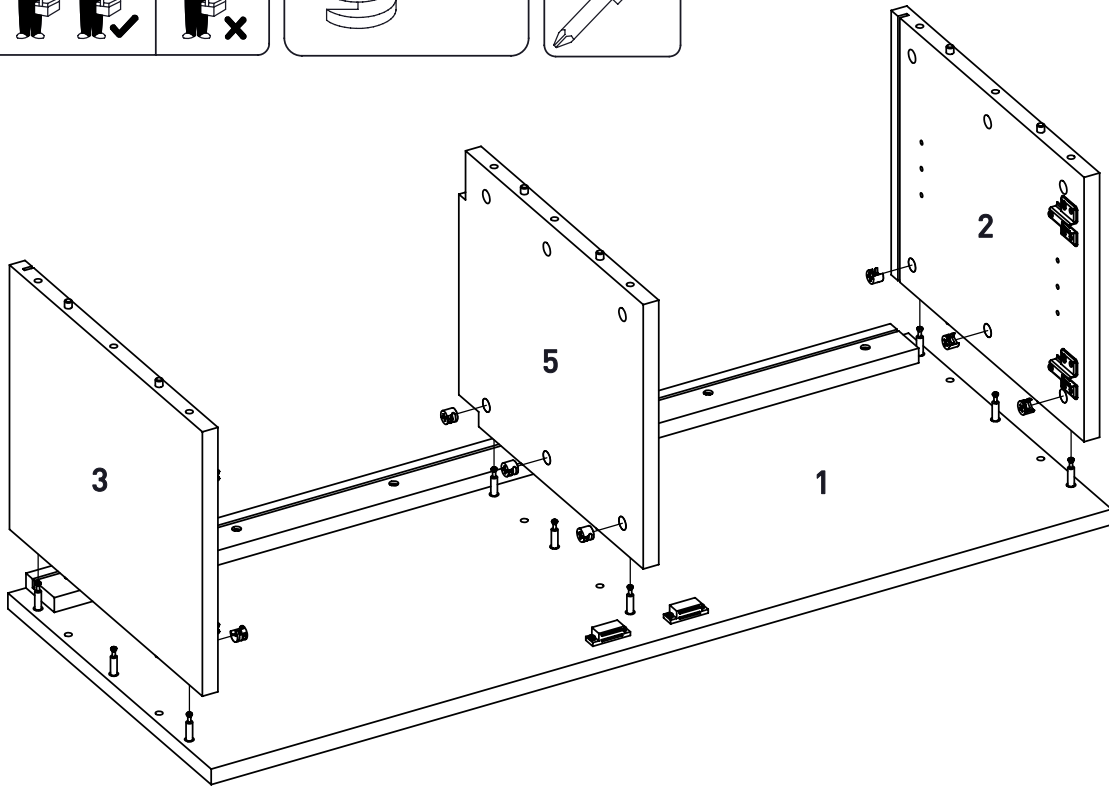
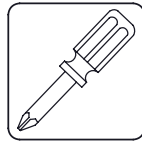
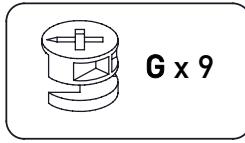
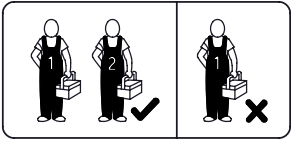
Step 4



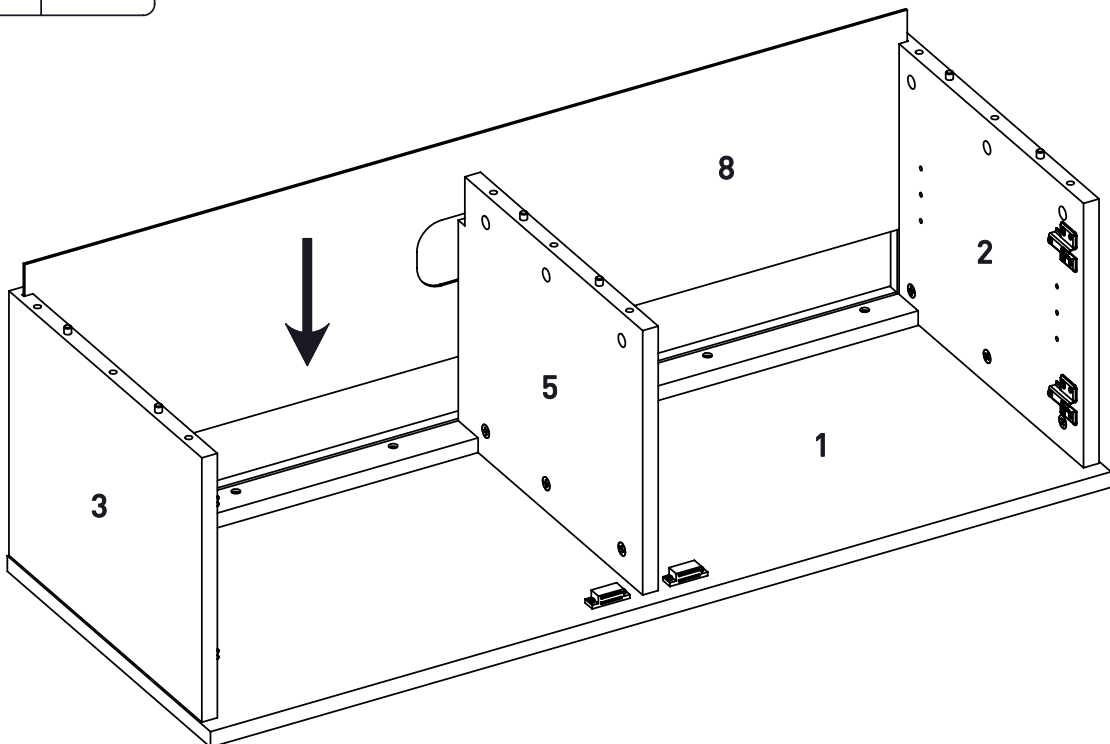
A x 10



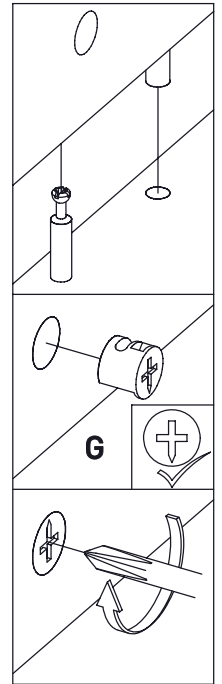
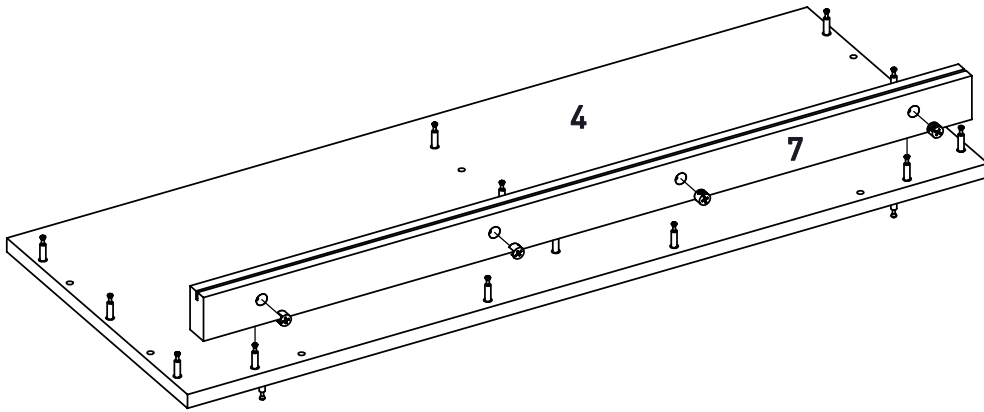
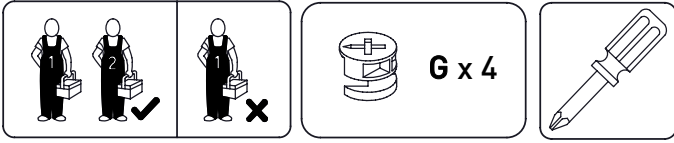
Step 5



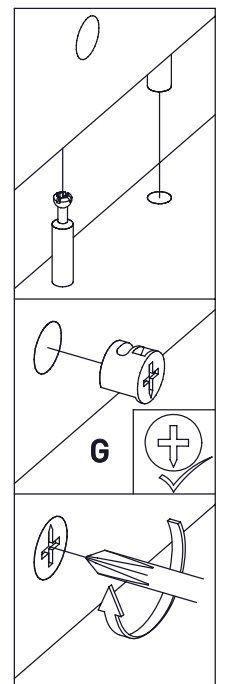
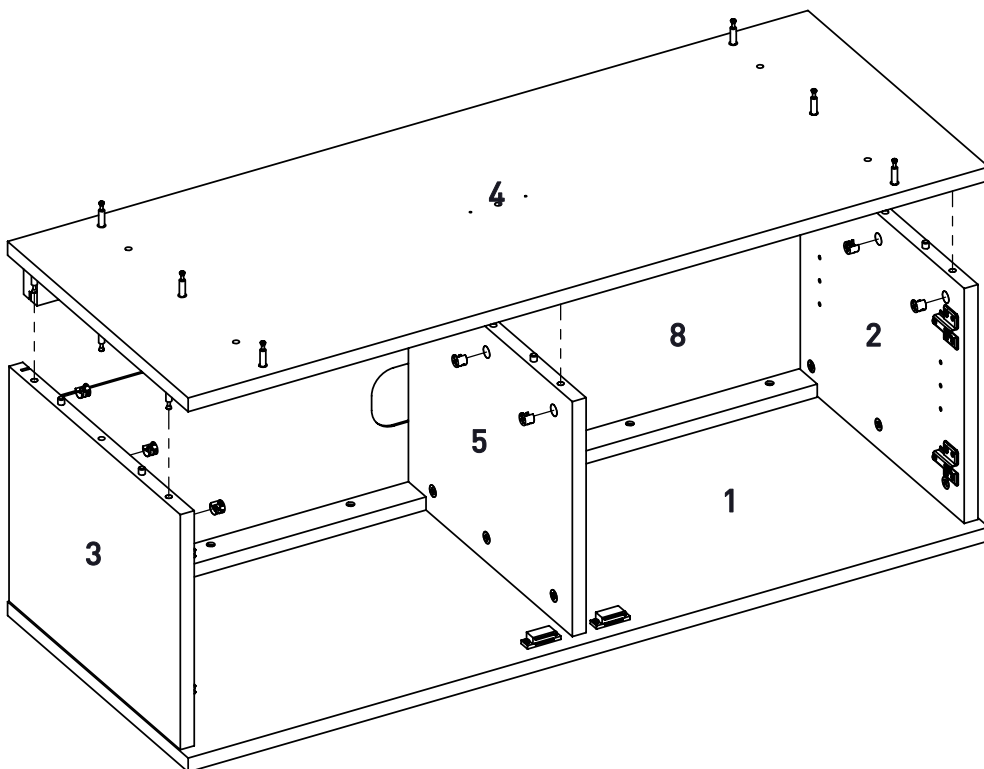
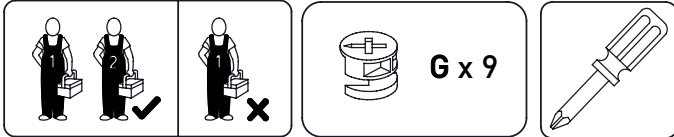
Step 6



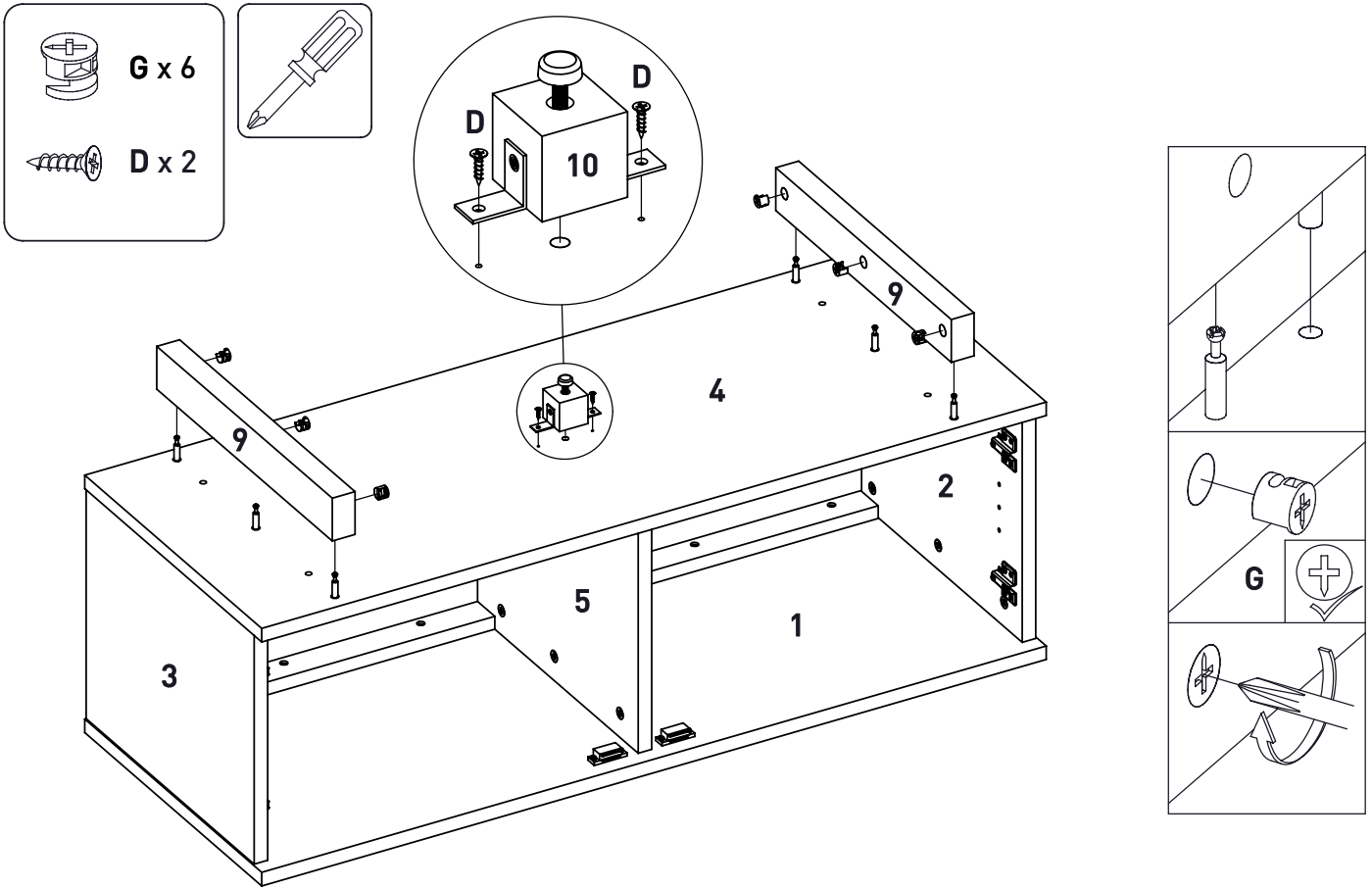
Step 7



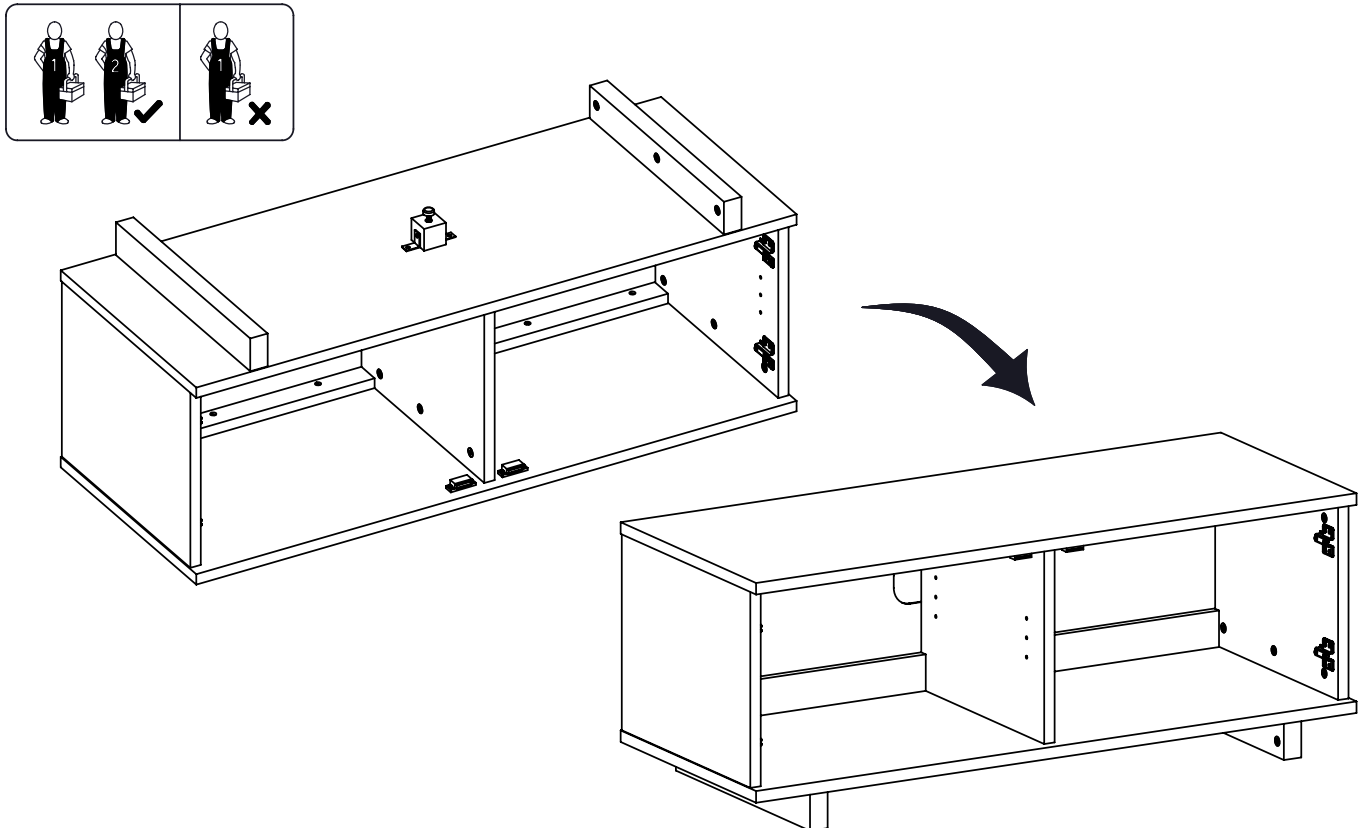
Step 8



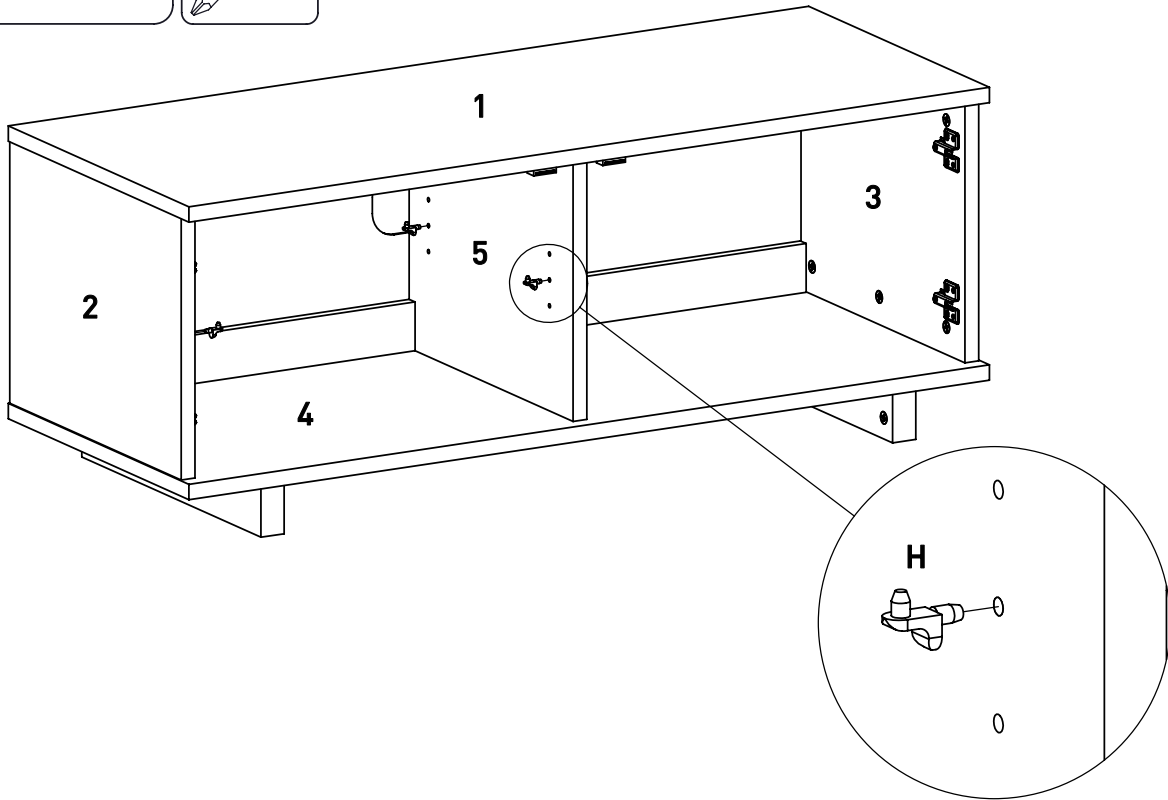
Step 9



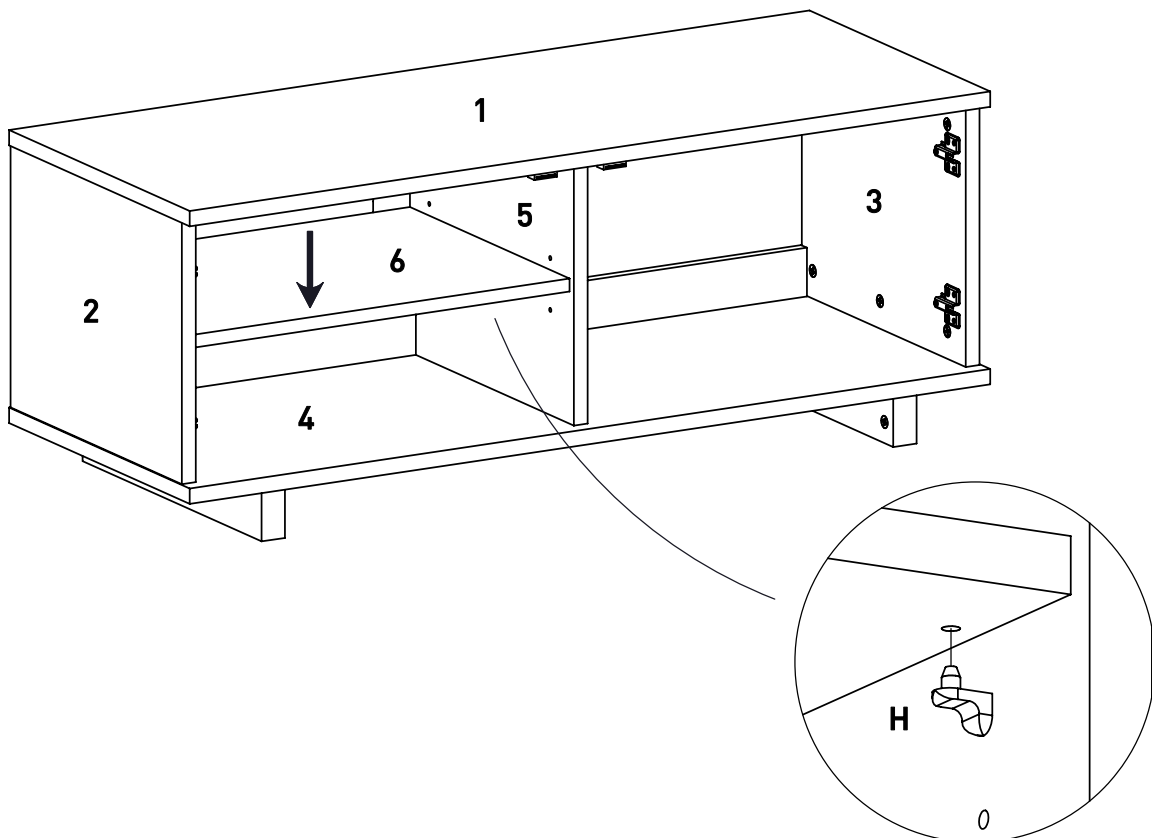
Step 10




Step 11

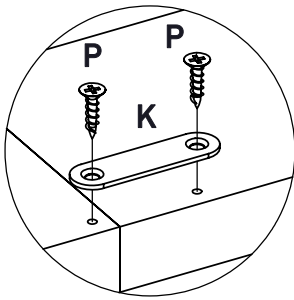
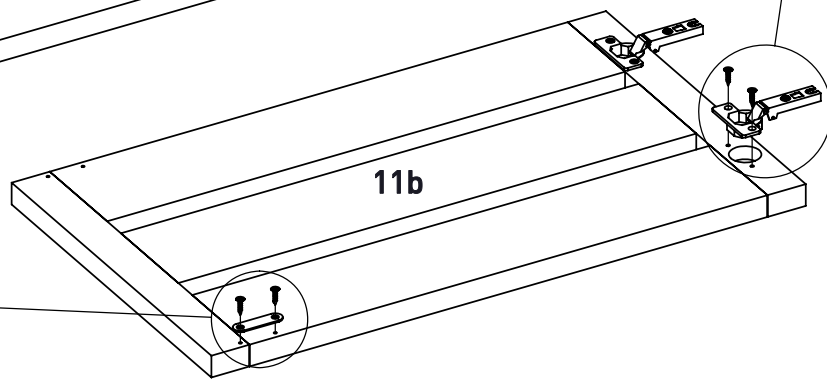
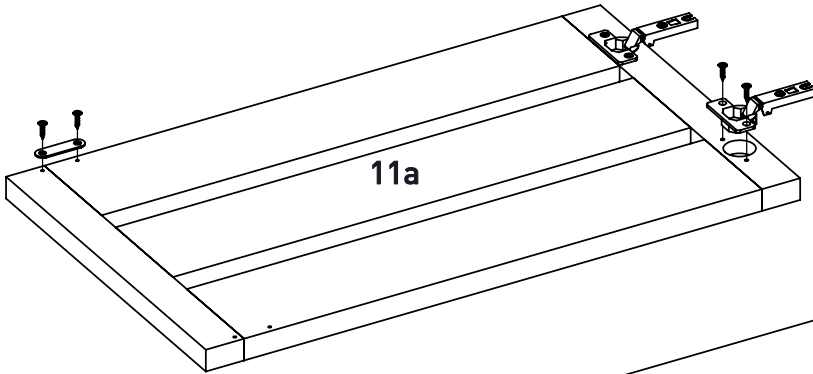
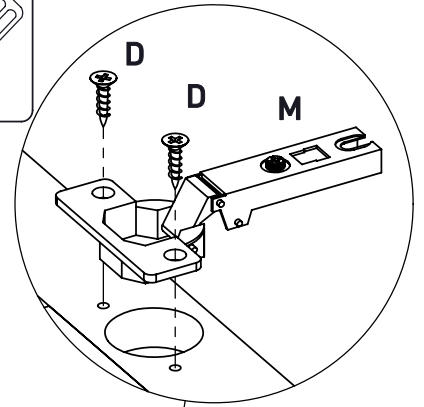
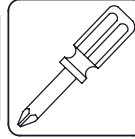


Step 12

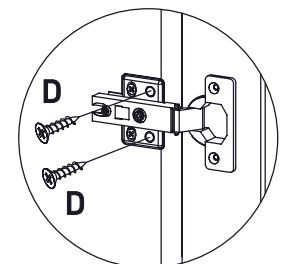
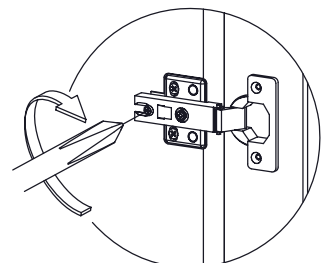
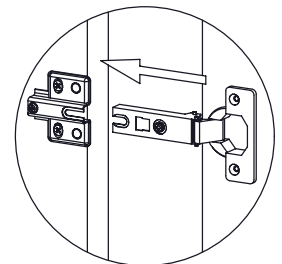
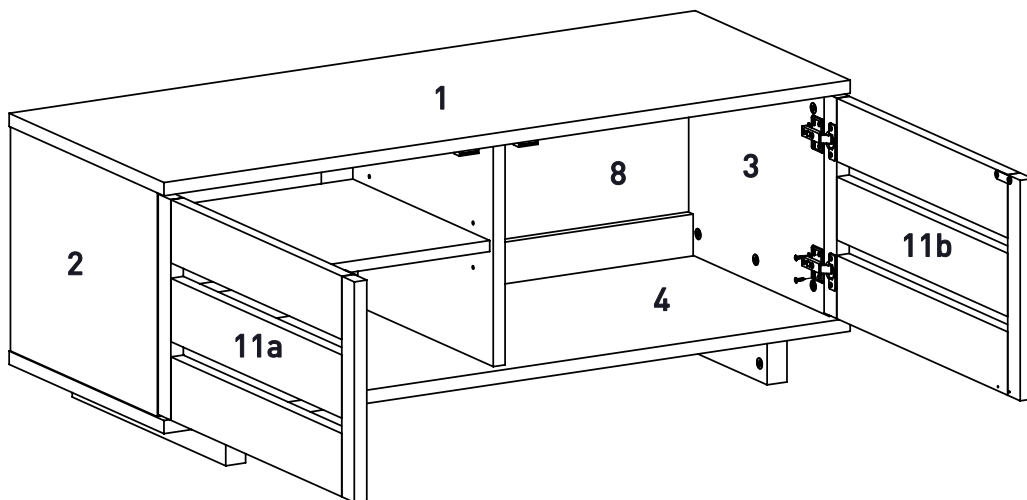
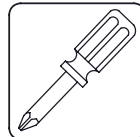


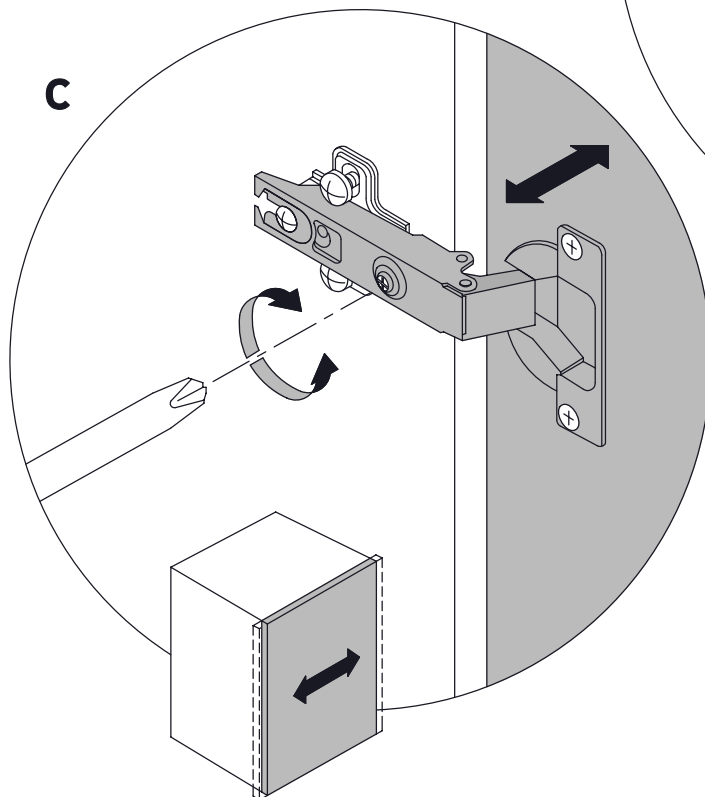
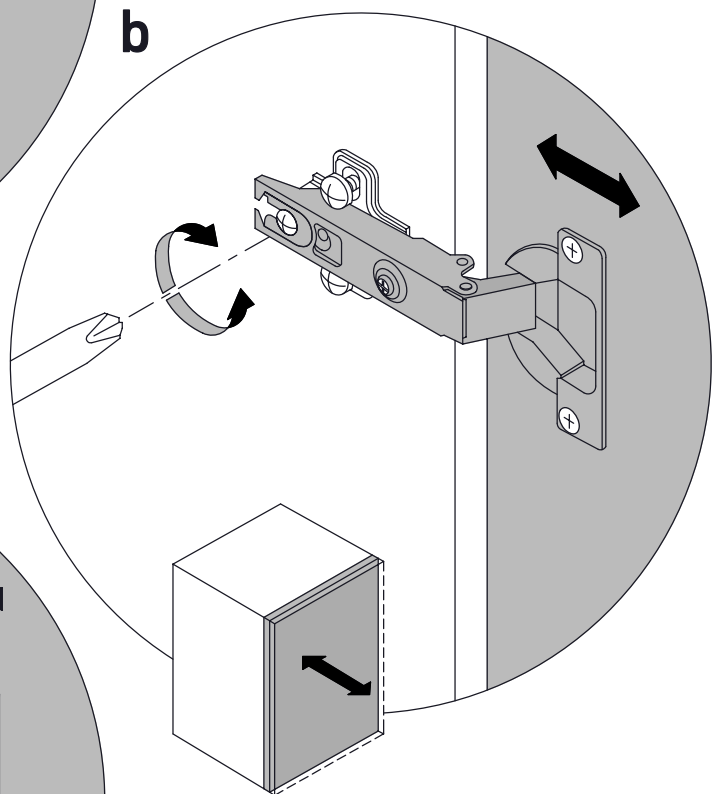
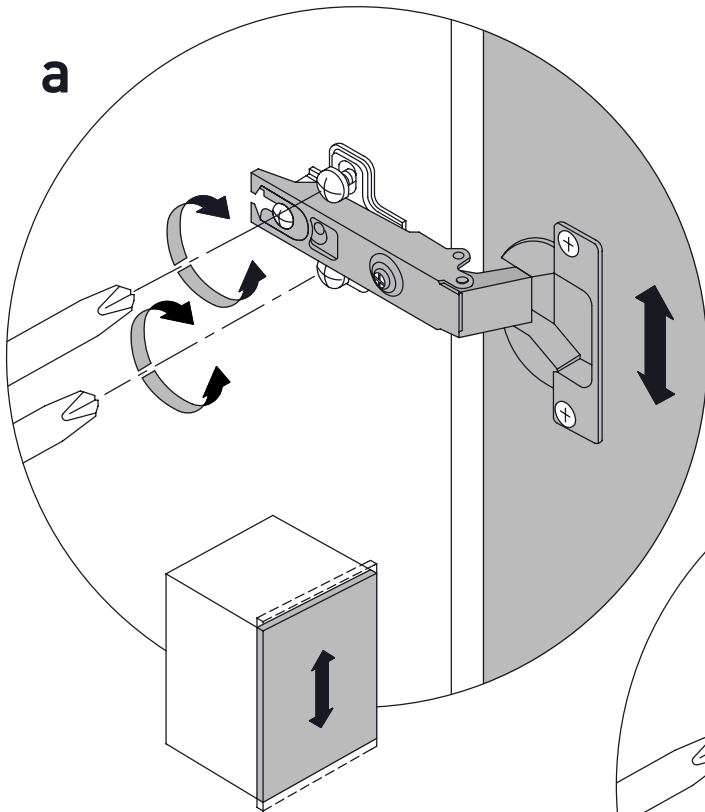
Step 13

 D x 8  M x 4  K x 2  P x 4



Step 14





Step 15



- a:** To move door up or down
- b:** To move door in or out
- c:** To move door left or right