

Dining Chair

Assembly Instructions - Please keep for future reference

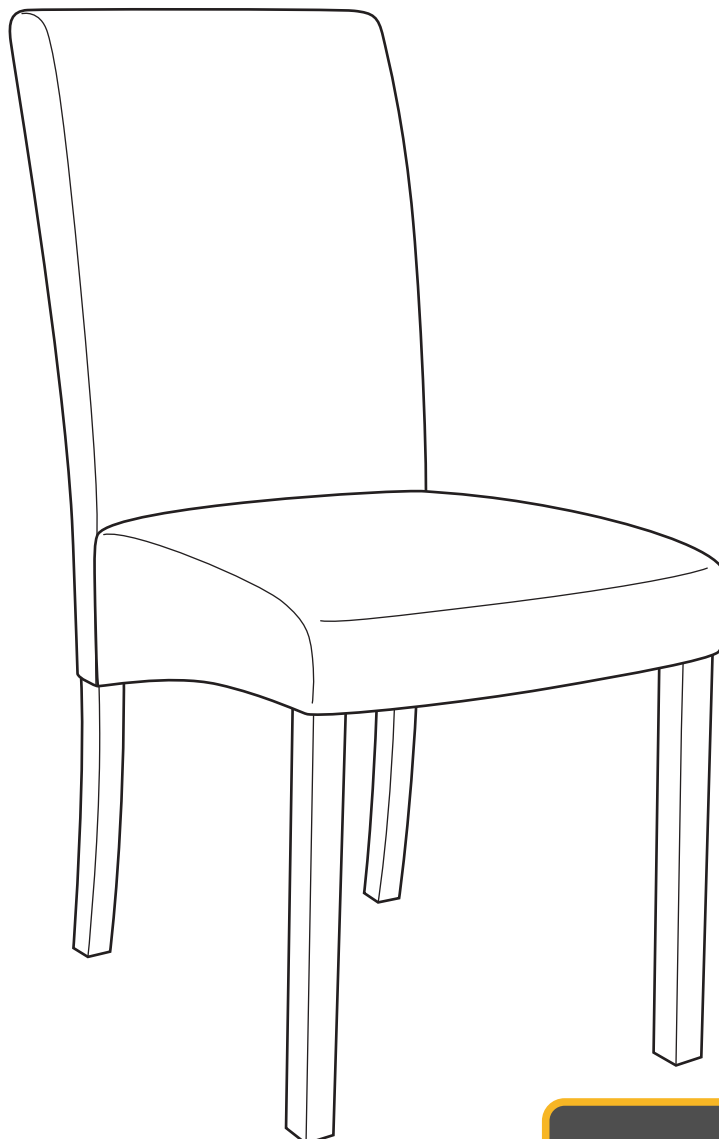
258/1905

237/9791

391/5525

417/6181

424/2778



Dimensions

Width - 44cm

Depth - 56cm

Height - 95cm



Stabililyne seat:
Patented, Recyclable & just plain **TOUGH!**

Important - Please read these instructions fully before starting assembly

If you need help or have damaged or missing parts, call the **Customer Helpline:**
Argos = 0345 640 0800



Safety and Care Advice

Important - Please read these instructions fully before starting assembly

- Check you have all the components and tools listed on the following pages.
- Remove all fittings from the plastic bags and separate them into their groups.
- Keep children and animals away from the work area, small parts could choke if swallowed.
- Make sure you have enough space to layout the parts before starting.
- During assembly do not stand or put weight on the product, this could cause damage.

- Assemble the item as close to its final position (in the same room) as possible.
- Assemble on a soft level surface to avoid damaging the unit or your floor.
- Parts of the assembly will be easier with 2 people.
- Do not stand on the chair.
- Do not use the chair as a step ladder.
- Unit weight: 5.3 kgs.
- Maximum safe weight of user: 110kgs.



power drill is set on a low torque setting.

- To reduce the likelihood of damaging your product please ensure that your

Care and maintenance

- Only clean using a damp cloth and mild detergent, do not use bleach or abrasive cleaners.
- From time to time check that there are no loose screws on this unit.
- This product should not be discarded with household waste. Take to your local authority waste disposal centre.

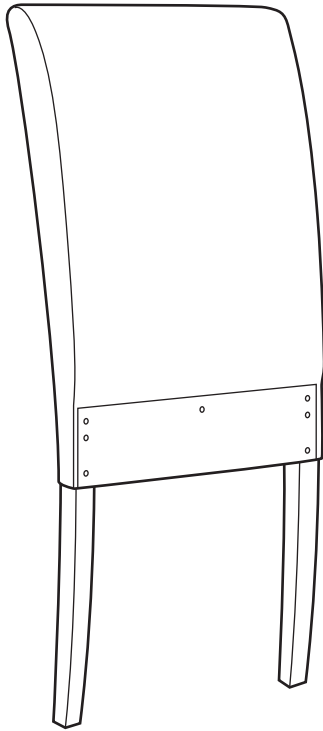
Handy Hints

- Assemble all parts and bolts loosely during assembly, only once the product is complete should you fully tighten the bolts.
- Regularly check and ensure that all bolts and fittings are tightend properly.

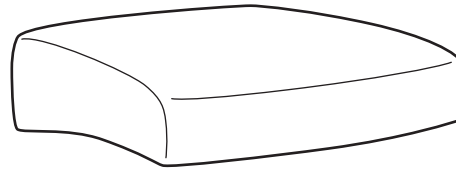
Components - Parts

If you have damaged or missing components, call the
Customer Helpline: Argos = 0345 640 0800

Please check you have all the parts listed below



1 Backrest
(36 x 10.5 x 95cm)



2 Seat
(44 x 41.5 x 17cm)

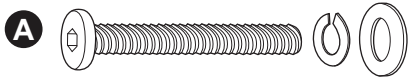


3 Leg x 2
(3 x 3 x 43cm)

Components - Fittings

Please check you have all the fittings listed below

Note: The quantities below are the correct amount to complete the assembly. In some cases more fittings may be supplied than are required.



A M6 x 50mm Bolt with
spring washer & flat washer x 11



B Allen key x 1



C Foot pad x 4

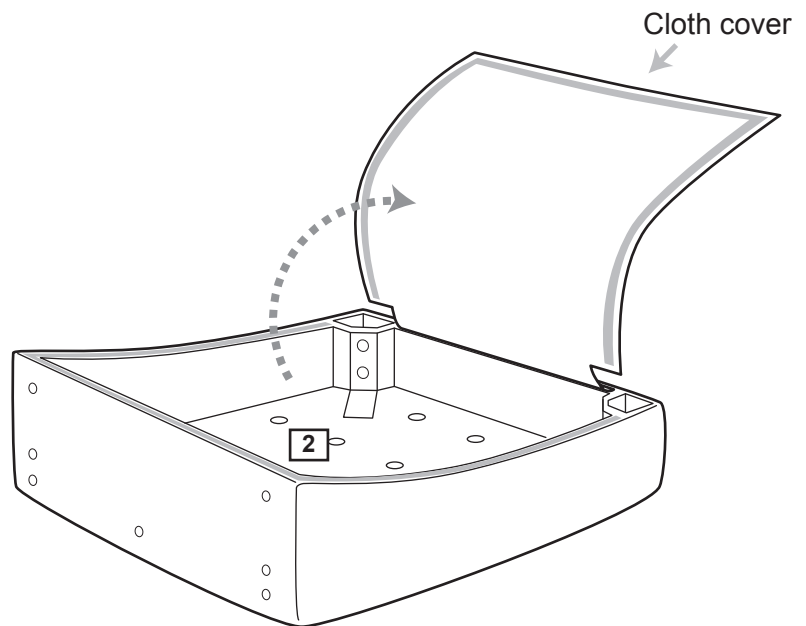
Assembly Instructions

Step 1

Opening cloth cover

Place the backrest **2** on a flat protected surface.

Carefully peel off bottom cloth cover of seat by pulling the cloth from the back side of the seat as shown.



Step 2

Attaching legs

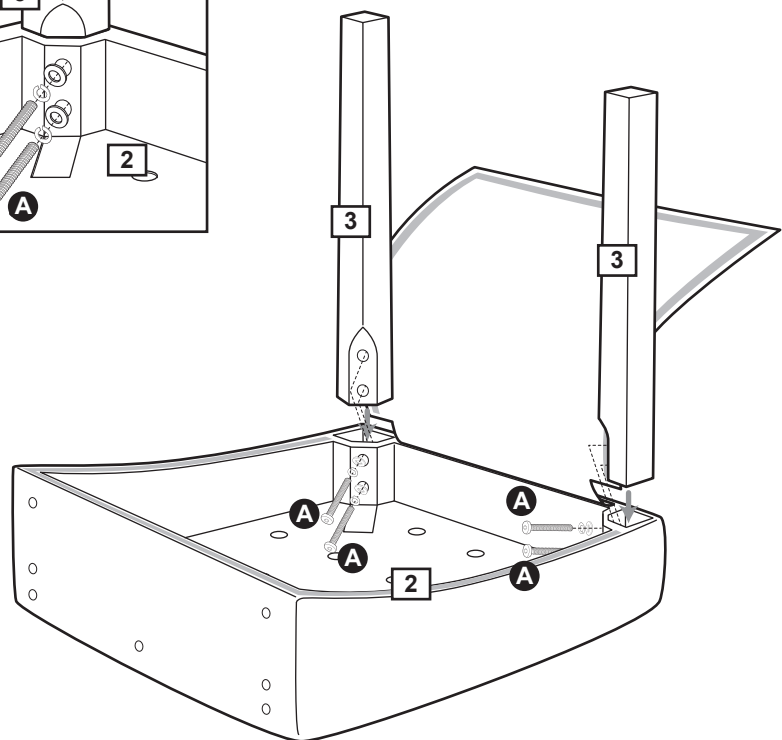
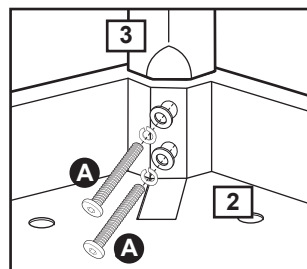
Insert the legs **3** into the holes of the seat **2** as shown and fix using bolts with spring washers & flat washers **A**.



Important:

Fasten bolts using allen key **B** but do not fully tighten at this stage.

Use oval head of allen key when tightening bolts on corner positions.



Assembly Instructions

Step 3

Attaching the seat

Place the backrest **1** on a flat protected surface as shown.

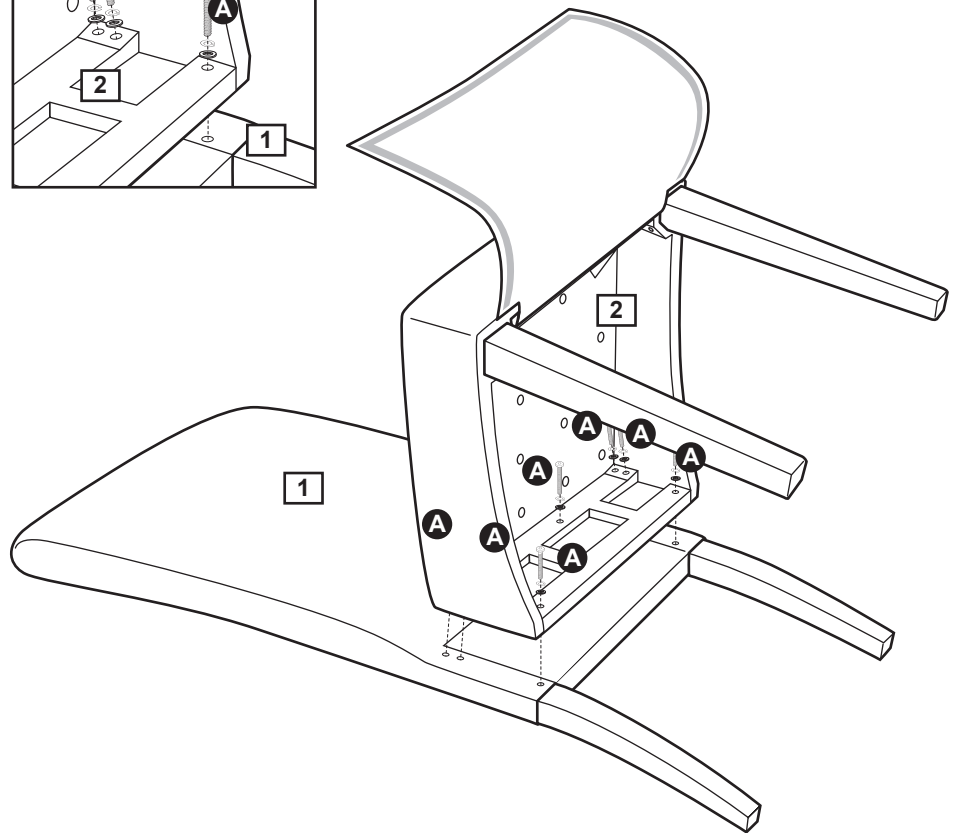
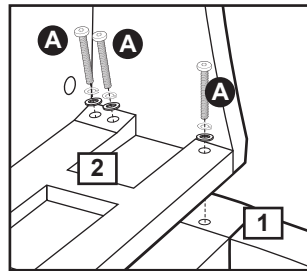
Position the seat **2** on the backrest **1** as shown and fix using bolts with spring washers & flat washers **A**.



Important:

Fasten bolts using allen key **B** but do not fully tighten at this stage.

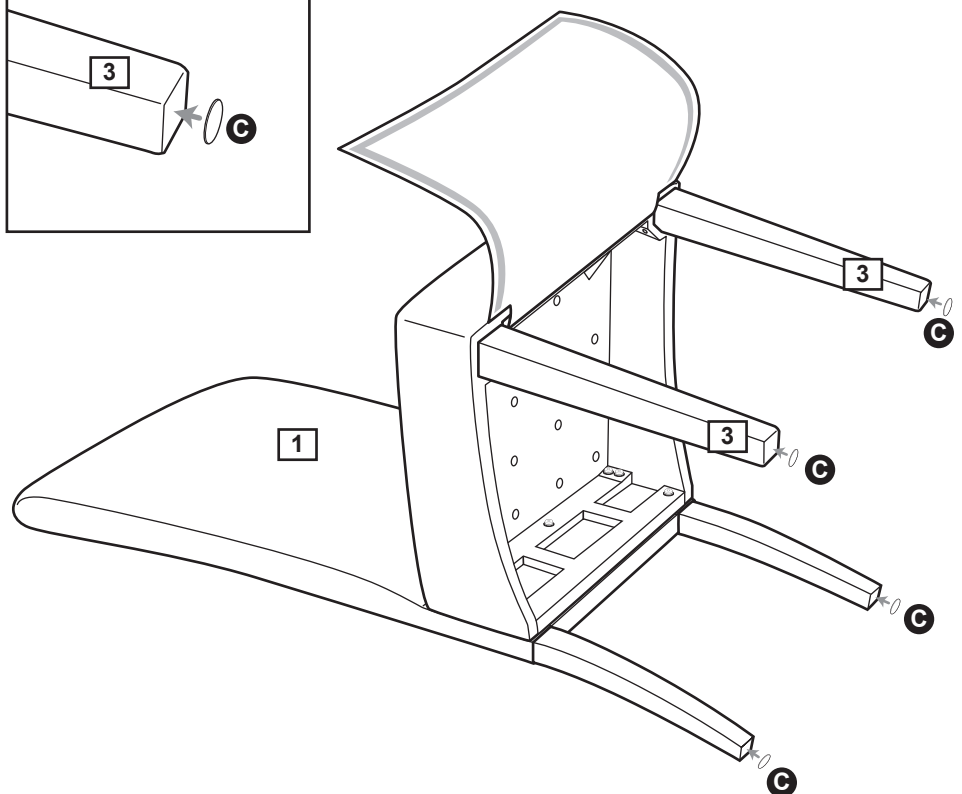
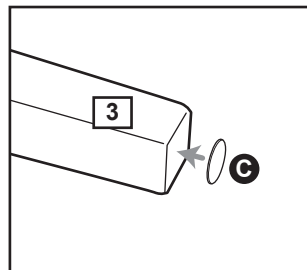
Use oval head of allen key when tightening bolts on corner positions.



Step 4

Attaching foot pads

Remove backing from foot pads **C** and carefully position on the bottom of the legs **1** & **3** as shown.



Assembly Instructions

Step 5

Aligning & securing the legs

Carefully turn the chair upright and place on a flat surface.

a: Tighten all bolts using allen key **B**.

Note: Use oval head of allen key when tightening bolts on corner positions.

Note: This step is essential to prevent the chair from wobbling due to uneven legs.

b: Carefully sit on the chair and make adjustments to ensure the legs are flat even on the floor.

c: After the sitting test, re-tighten bolts again if any adjustment is needed.

Note: It is highly recommended to re-tighten all bolts after using the chair for 7 days.

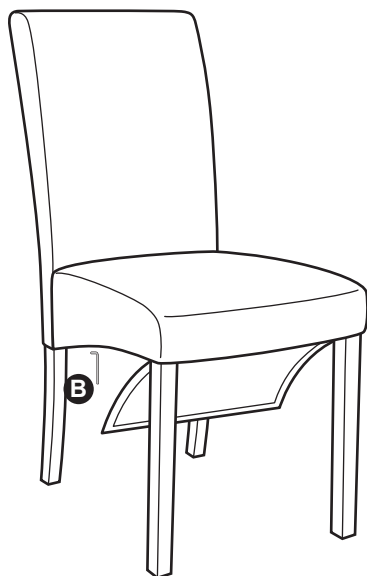
Note: Keep allen key to re-tighten bolts when required.

d: Re-attaching the bottom cloth cover

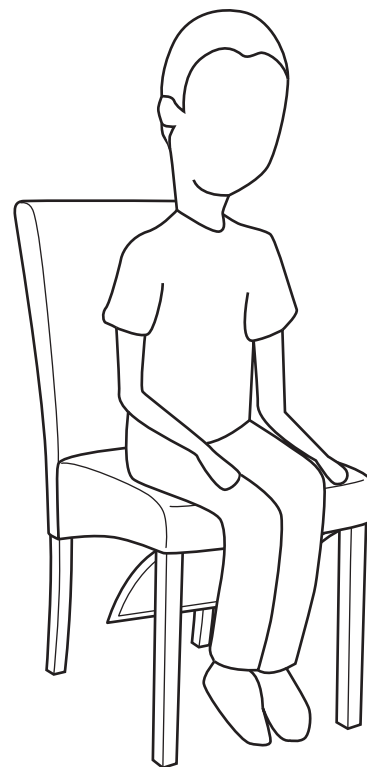
Re-attach the bottom cloth cover as shown.

Assembly is complete.

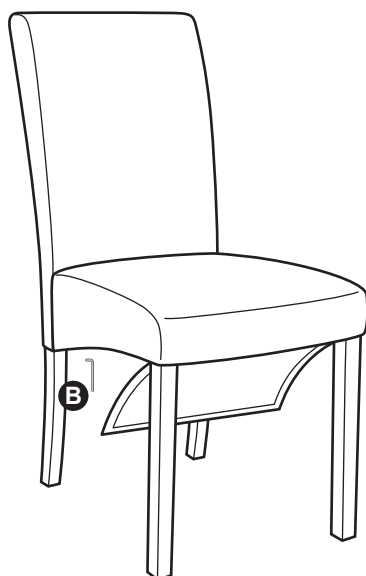
a:



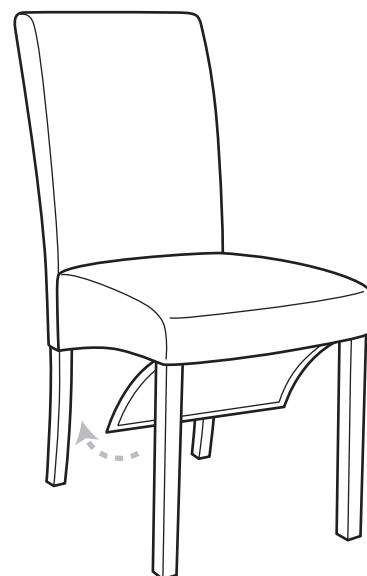
b:



c:



d:

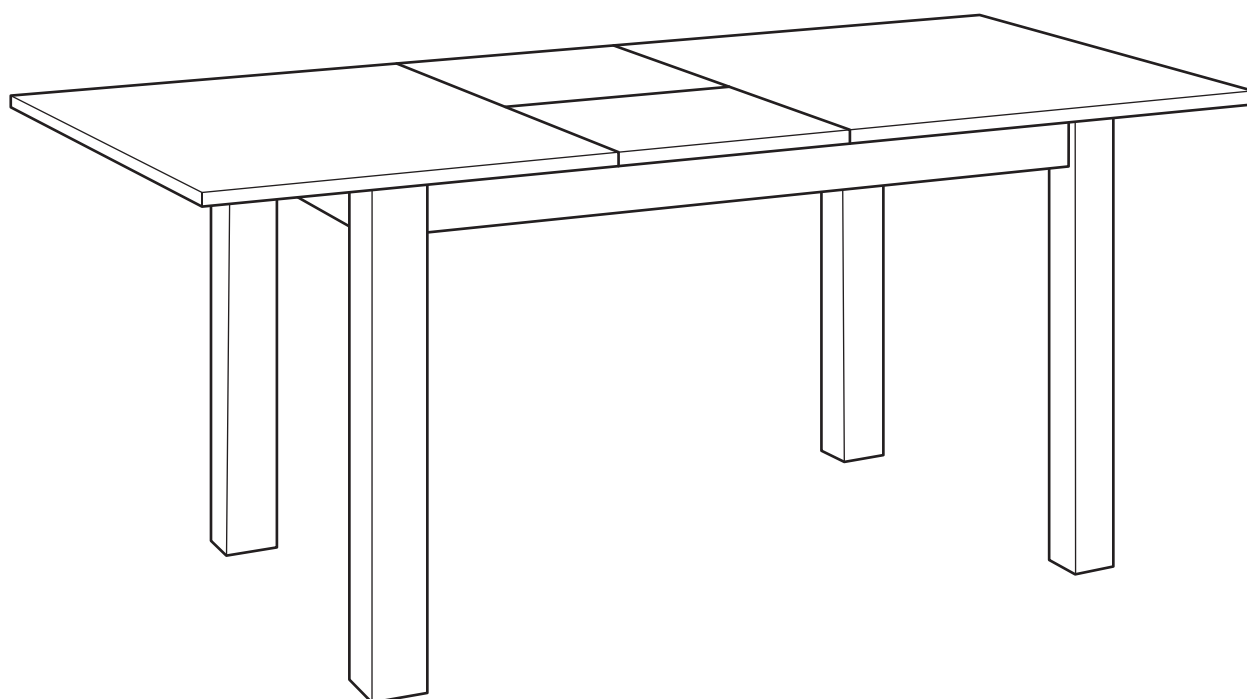


If you need help or have damaged or missing parts, call the **Customer Helpline:**
Argos = 0345 640 0800

hastings extendable table

Assembly Instructions - Please keep for future reference

426/7148



Dimensions

Length - 140/179.5cm

Width - 90cm

Height - 74.5cm

Important - Please read these instructions fully before starting assembly

If you need help or have damaged or missing parts, call the **Customer Helpline:**
Argos = 0345 640 0800



Safety and Care Advice

Important - Please read these instructions fully before starting assembly

- Check you have all the components and tools listed on the following pages.
- Remove all fittings from the plastic bags and separate them into their groups.
- Keep children and animals away from the work area, small parts could choke if swallowed.
- Make sure you have enough space to layout the parts before starting.

- During assembly do not stand or put weight on the product, this could cause damage.
- Assemble the item as close to its final position (in the same room) as possible.
- Assemble on a soft level surface to avoid damaging the unit or your floor.
- Parts of the assembly will be easier with 2 people.



• We do not recommend the use of power drill/drivers **for inserting screws**, as this could damage the unit. Only use hand screwdrivers.

- Unit weight: 56 kgs.

Care and maintenance

- Only clean using a damp cloth and mild detergent, do not use bleach or abrasive cleaners.
- From time to time check that there are no loose screws on this unit.

- Do not stand on the product.
- Always lift the product when moving it around. Never drag.
- Please note wood is a natural material, some slightly colour

and grain variation and natural marks will be present.

- This product should not be discarded with household waste. Take to your local authority waste disposal centre.

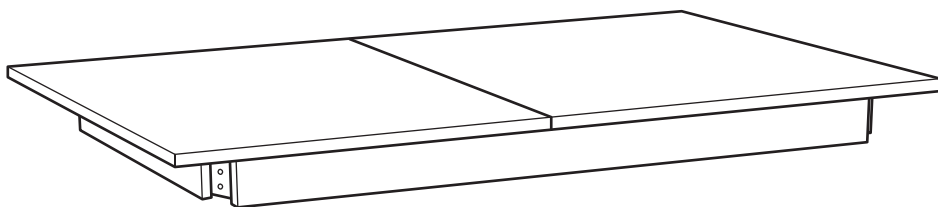
Handy Hints

- Assemble all parts and bolts loosely during assembly, only once the product is complete should you fully tighten the bolts.
- Regularly check and ensure that all bolts and fittings are tightened properly.

Components - Parts

If you have damaged or missing components, call the Customer Helpline: Argos = 0345 640 0800

Please check you have all the parts listed below



1 Table top
(140/179.5 x 90 x 12cm)

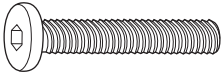






2 Leg x 4
(9.5 x 9.5 x 72cm)

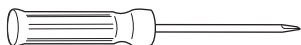
Components - Fittings

Please check you have all the fittings listed below

Note: The quantities below are the correct amount to complete the assembly. In some cases more fittings may be supplied than are required.

<p>A  M8 x 60mm Bolt x 8</p>	<p>B  Spring Washer x 8</p>	<p>C  Washer x 8</p>
<p>D  Allen Key x 1</p>	<p>E  Foot Pads x 4</p>	

Tools required



Flathead screwdriver

Ruler - Use this ruler to help correctly identify the screws



Assembly Instructions

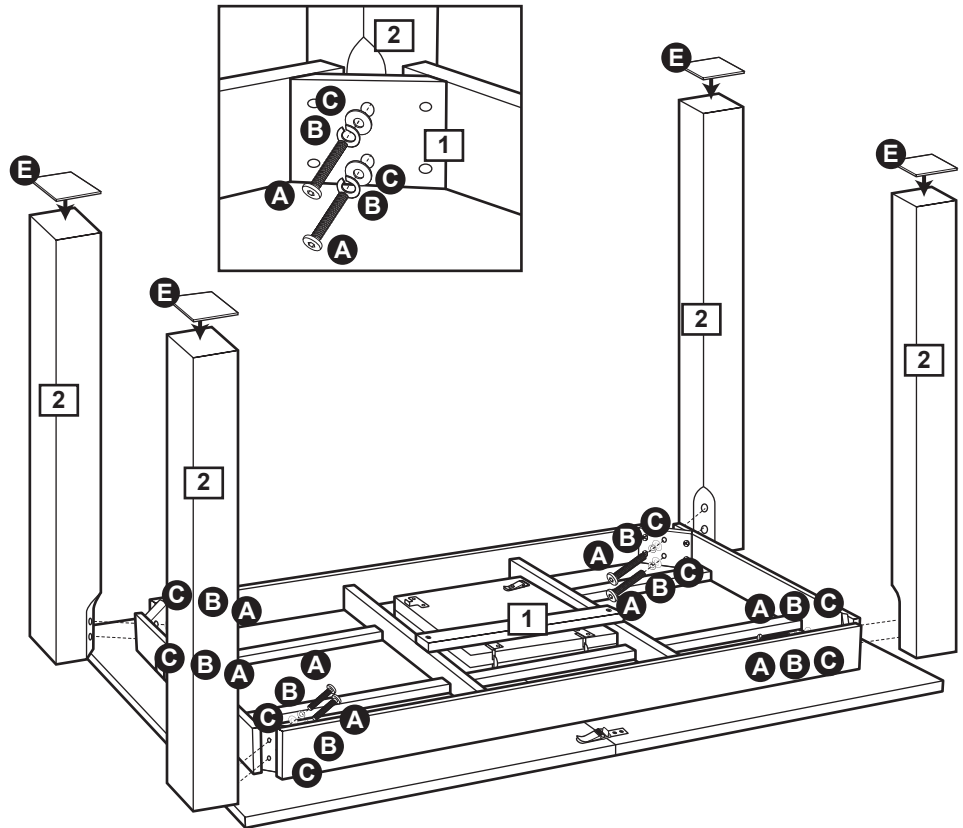
Step 1

Attaching legs

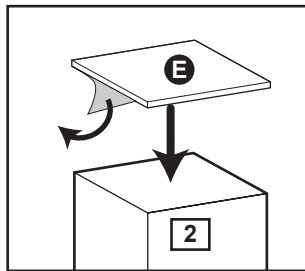
Place the table top **1** on a flat protected surface.

Position the legs **2** on the table top and fix using bolts **A**, spring washers **B** & flat washers **C** as shown.

Tighten bolts using allen key **D**.



Remove backing from foot pads **E** and carefully position on the bottom of the legs **2** as shown.

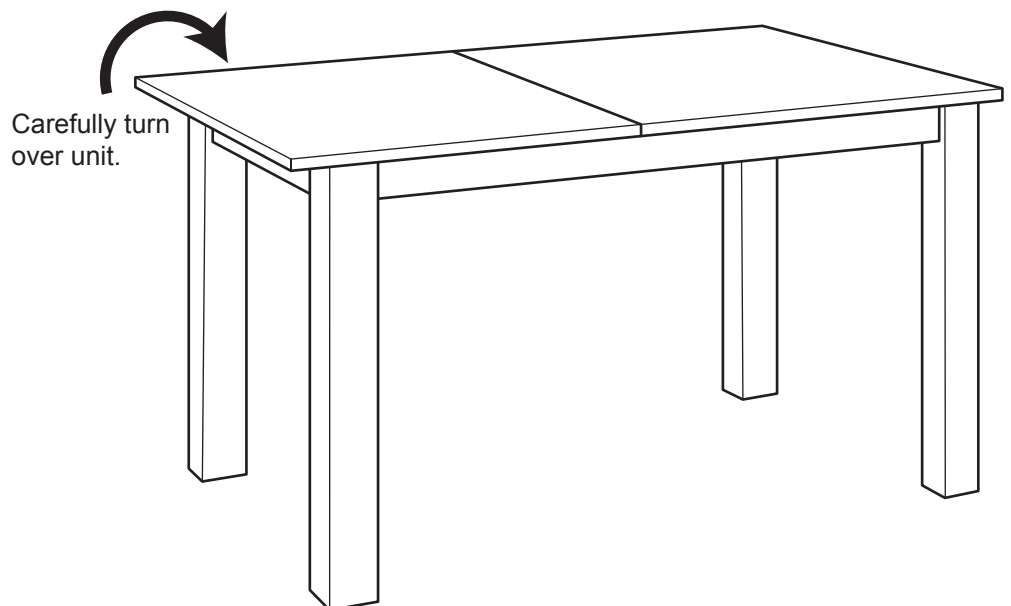


Carefully turn over the table and place on a firm surface.



Important:

This table is heavy. At least 2 people are required to lift this table.



Assembly is complete.

Operation Instructions

Step 1

Extending table top

a: Release the 2 locks under the table top.

b: With two persons on each end of the table, carefully pull out the table top as shown.

c: Pull out the middle extension top as shown.

d: Open up the middle extension top.

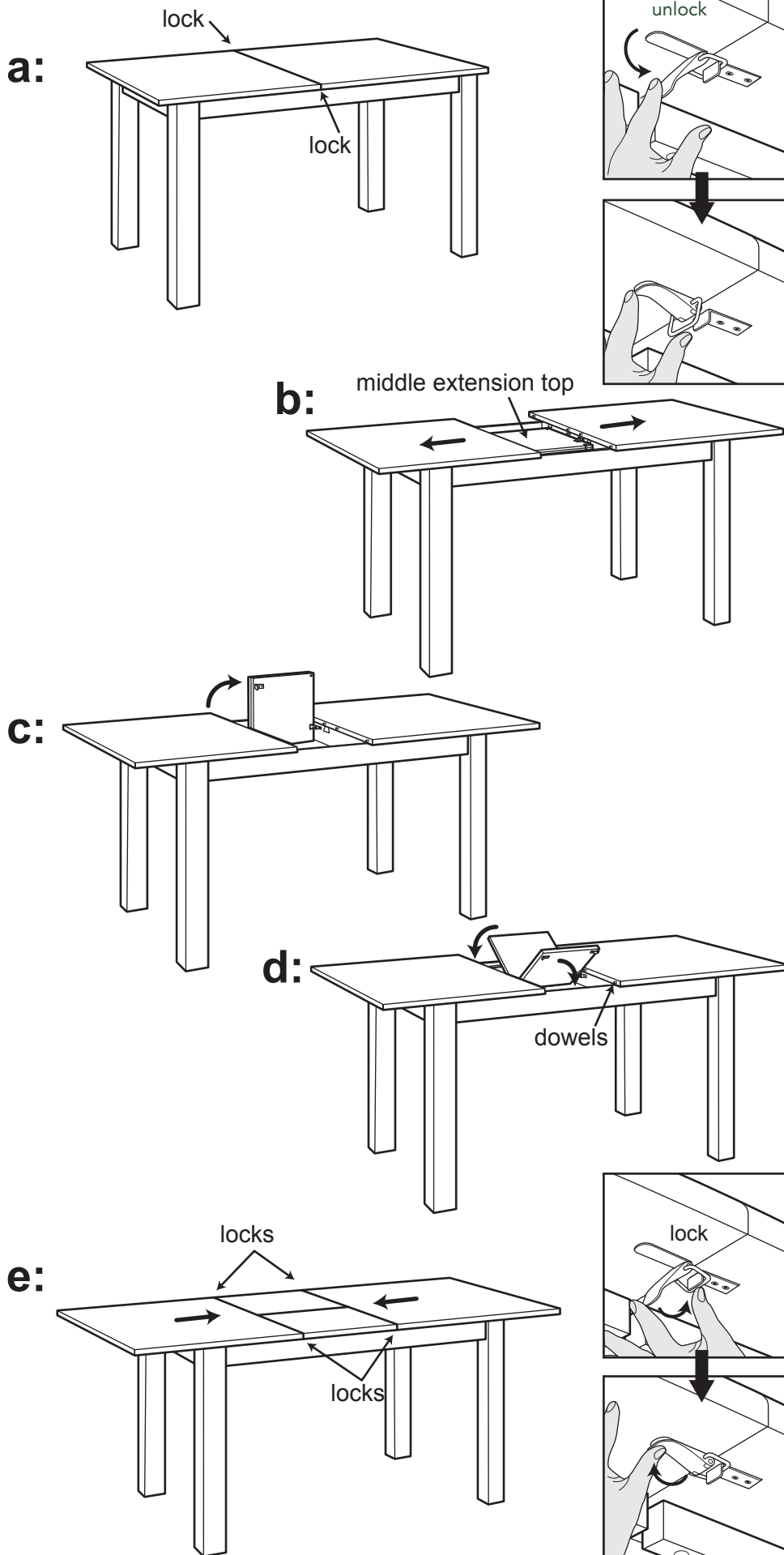
e: Push the table top back in.

Firmly close the gaps by aligning and inserting the dowels with the holes on the edge of the table tops.

Fasten the 4 locks under the table top.



Warning: Keep hands away from gaps when adjusting table tops.



Operation Instructions

Step 2

Retracting table top

a: Release the 4 locks under the table top.

b: With two persons on each end of the table, carefully pull out the table top as shown.

c: Pull up the middle extension top as shown.

d: Fold down the middle extension top.

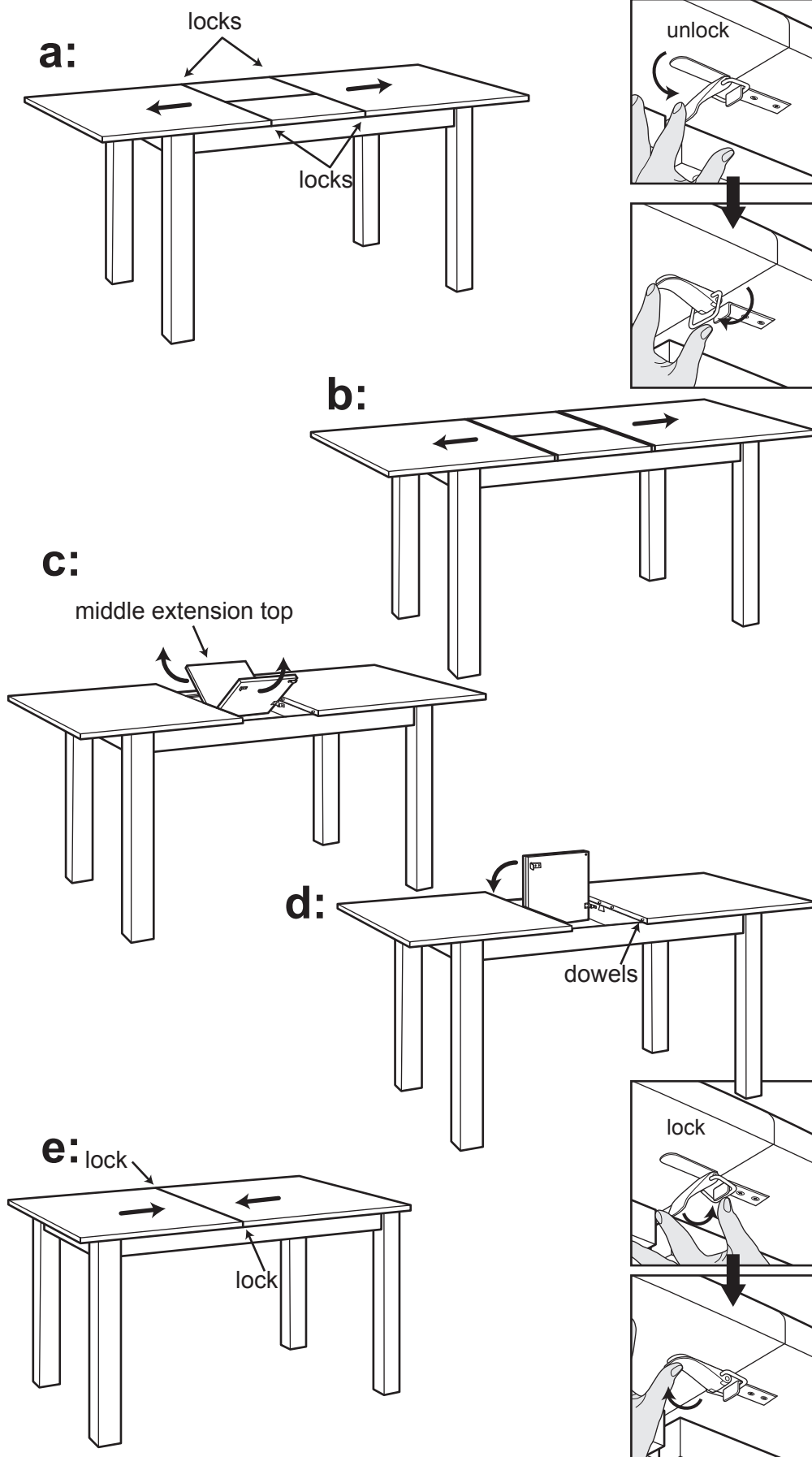
e: Push the table top back in.

Firmly close the gaps by aligning and inserting the dowels with the holes on the edge of the table tops.

Fasten the 2 locks under the table top.



Warning: Keep hands away from gaps when adjusting table tops.



If you need help or have damaged or missing parts, call the **Customer Helpline:**
Argos = 0345 640 0800