

Haier

Refrigerator User's manual

C2FE636CBJ	C2FE736CBJ	A2FE635CBJ	A2FE735CBJ	C2FE836CBJ
C2FE636CCJ	C2FE736CCJ	A2FE635CCJ	A2FE735CCJ	C2FE836CCJ
C2FE636COJ	C2FE736COJ	A2FE635COJ	A2FE735COJ	C2FE836COJ
C2FE636CRJ	C2FE736CRJ	A2FE635CRJ	A2FE735CRJ	C2FE836CRJ
C2FE636CSJ	C2FE736CSJ	A2FE635CSJ	A2FE735CSJ	C2FE836CXJ
C2FE636CTJ	C2FE736CTJ	A2FE635CTJ	A2FE735CTJ	C2FE836CTJ
C2FE636CWJ	C2FE736CWJ		A2FE735CWJ	C2FE836CWJ
	C2FE736CXJ		A2FE735CXJ	

Welcome!

Thanks for purchasing a Haier Product

Please read these instructions carefully before using this appliance. The instructions contain important information which will help you get the best out of the appliance and ensure safe and proper installation, use and maintenance. Keep this manual in a convenient place so you can always refer to it for the safe and proper use of the appliance. If you sell the appliance, give it away, or leave it behind when you move house, make sure you also pass on this manual so that the new owner can become familiar with the appliance and safety information.

Accessories

Check the accessories and literature in accordance with this list:

1x	User manual	1x	Warranty card
1x	Energy label	1x	Door hinge cover

Index

Cautions	1
Before first use	1
Functions	5
Maintenance	7
Trouble-shooting	8
After-sales service	9

Disposal

This symbol on the refrigerator and the accessories means that the product complies with the European Directive 2002/96/EU on waste electrical and electronic equipment; These devices should not be considered household waste: consumers are obliged to return the devices to the end of their useful life to collection points set up for this purpose or point of sale. Details to this are defined by the national laws of each state. Dispose the packaging material in accordance with the EU standards about environmental health and safety protection.



Cautions

This appliance has been designed exclusively for use in dry-interior households. Every other use is improper and may lead to injuries, whereby the liability of the manufacturer will cease.

Before using the appliance for the first time

- Make sure that the plug is not trapped under the refrigerator. Take care that the plug is not damaged, if it is, switch off the power supply and carefully unplug it and consult an authorized service agent for replacement
- Take care not to roll over the power cord or damage it when moving the refrigerator away from the wall
- Hold the plug, not the cable, when unplugging the refrigerator (fig.1)
- Make sure that there is no gas or other inflammable gas leaking in the vicinity of the refrigerator. In case this occurring, turn off the valve of the leaking gas; open doors and windows but do not plug or unplug the power cords of the refrigerator or any other appliance
- Unplug the refrigerator for cleaning, maintenance or lamp replacement
- Open the doors by the handle, pay attention to the gap between the doors can be very narrow, so avoid trapping your fingers
- When unplugging the refrigerator wait at least 5 minutes before restarting, as frequent starting can damage the compressor
- Leave the ventilation openings free of obstruction
- When discarding the refrigerator, to avoid the accidental trapping of children, please remove the refrigerator doors, the door seals and shelves and put them in an appropriate place
- The refrigerator should be placed in a well-ventilated place not far from a drink water source

- Ensure a space of at least 20cm above and 10cm around every side of the refrigerator
- The appliance must be positioned so that the plug remains accessible

Things not to do

- The refrigerator is operated by a 220-240V AC/50Hz power supply. Plug the refrigerator to incorrect voltage, may cause the refrigerator a failure in start, damage to the temperature control or the compressor, or lead to abnormal noise when the compressor is operating. In such a case, an automatic regulator should be mounted
- A dedicate socket with reliable grounding/earth must be provided for the refrigerator. The refrigerator's power cable is fitted with 3-cord (grounding/earth) plug that fits a standard 3-cord (grounded/earthed) socket. Never cut off or dismount the third pin (grounding/earth). After the refrigerator is installed, the plug should be accessible
- Never store inflammables, explosives or corrosive materials in the refrigerator
- Do not store medicines, bacteria or chemical agents in the refrigerator. This refrigerator is a household appliance. It is not recommended to place materials that require strict temperature
- Do not store or use gasoline or other flammable materials in the vicinity of the refrigerator to avoid a fire
- Do not place unstable articles (heavy objects, containers filled with liquids) on the top of the refrigerator, to avoid personal injury caused by falling or electric shock caused by contact with water (fig.2)
- Do not swing from the door or bottle racks on the door. The door may slip out from his hinge, the bottle rack, may be pulled away, or the refrigerator may topple. Do not step on the freezer storage compartment door, shelves or cabinet when filling with or removing food and drinks
- Do not touch the inside surface of the freezer storage compartment when in operation, especially with wet hands as your hands may freeze onto the surface
- To ensure the refrigerator's electrical insulation, do not spray or flush the refrigerator with water when cleaning, nor place the refrigerator in a damp area or a location where it may be splashed with water. Clean and dry water splashes and stains with a soft clean cloth
- Disassembly and alteration of the refrigerator must be authorized. Any sharp or rough movement of the refrigerator may damage the cooling pipes. Property loss or personal injury may result. Repair of the refrigerator must be performed by professional personnel
- Never store bottled beer or beverages in the freezer, these will burst during freezing
- Do not place the refrigerator in direct sunlight or in a place where it is exposed to heat from stoves, heaters or other appliances.
- Do not leave refrigerator's doors open without the presence of an adult, and not let children get in the refrigerator
- Do not let infants or children to climb into the freezer drawer.
- Do not use electrical appliances inside the refrigerator
- Do not damage the refrigerant circuit
- Do not use a hair dryer to dry the inside of the refrigerator. Do not place lighted candles in the refrigerator to remove odors
- Do not spray volatile materials such as insecticide on any surface of the appliance.
- Open or close the refrigerator doors only when there are no children standing within the range of door movement
- This appliance is not intended for use by persons (including children) with reduced physical, sensory or mental capabilities, or lack of experience and knowledge, unless they have been given supervision or instruction concerning use of the appliance by a person responsible for their safety
- Do not store too much food in the freezer storage compartment to avoid long operation time of the compressor or falling food. It is recommended not to exceed the load line of the drawers. The total weight of the food should not exceed 30kg. To prevent the food from falling on the ground, do not pull open the freezer drawer too strongly or at an angle
- Do not use mechanical devices or other means to accelerate the defrosting process, other than those recommended by the manufacturer

- In case of any problem with the light of refrigerator, please contact with our customer service department for handling. End users cannot replace it by themselves

Fridge storage tips (fig.3)

- Hot foods must be cooled to room temperature before storing in the refrigerator
- Wash or clean the food and dry any water droplets on it before placing in the refrigerator
- Food should be properly sealed before the storing. This will prevent evaporation of moisture in the food and prevent it from spoiling
- Sorted storage of food. Food to be stored should be sorted according to their category. Food consumed daily should be placed on the front part of the shelves. This can avoid unnecessary delays in door opening as well as expiration of the storage period because you forgot to eat it
- Do not store excessive quantities of food. Foods should be stored with spaces between them. This allows cold air to flow smoothly and therefore obtain better storage results
- Do not place the foods too near the inner walls. Do not store foods with high moisture content in contact with the inner walls. Otherwise the food may freeze to the walls. Place food a little away from the inner walls.
- Avoid food (especially oily foods) touching the inner liner directly, as some oils can damage the inner liner. So it's better to clean the oily contamination whenever it is found
- For turnip radish and other similar vegetables, please cut off their leaves before storage so as to prevent the absorption of nutrients by the leaves
- Defrost frozen food in the fridge storage compartment. In this way you can use the frozen food to decrease the temperature in the compartment and save energy
- Some vegetables, for example onion, garlic, ginger, water chestnut and other prismatic foods, can be stored for long periods at normal temperature. There is no need to store them in the refrigerator
- The metabolism of vegetable marrow, melon, pawpaw, banana, pineapple can be quickened with cold temperatures, so it is not suitable to store them in the fridge storage compartment. But storing green fruits in the refrigerator for certain periods can promote its maturing
- Food cut into small portions will freeze faster and be easier to defrost and cook. The recommended weight for each portion is less than 2.5kg
- It's better to pack food before putting it in the freezer. The outside of the packing must be dry to avoid bags sticking together. Packing materials should be odor-free, airtight, non-poisonous and non toxic.
- In order to avoid expiration of storage period, please note the freezing date, time limit and name of the food on the packing according to the storage periods of different foods
- Only take the required amount of food from the freezer. Defrosted food cannot be re-frozen unless it is first cooked; otherwise it may be less edible
- Do not load excessive quantities of fresh food in the freezer. It is better to refer to the cooling capacity of the refrigerator

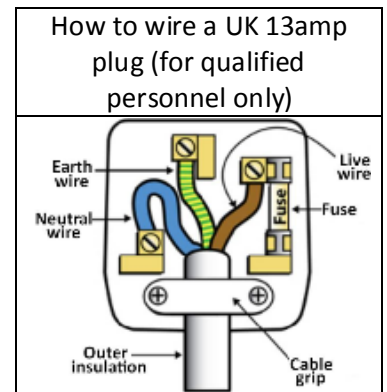
Energy Saving Tips

- Install the appliance in a cool, dry room with adequate ventilation
- Never block any vents or grilles on the appliance
- Allow warm food to cool down before placing it in the appliance
- Put frozen food in the refrigerator to thaw. You can then use the low temperatures of the frozen products to cool food in the refrigerator
- Do not keep the door of the appliance open for too long when putting food in or taking food out. The shorter time, for which the door is open, the less ice will form in the freezer
- Clean the rear of the refrigerator regularly. Dust increases energy consumption
- Do not set temperature colder than necessary
- Ensure sufficient air exhaust at the refrigerator base and at the back wall of the refrigerator

- Do not cover air vent openings
- Allow clearance to the right, left, back and top when installing. This will help reduce power consumption

13A Plug Connection

- If your refrigerator is connected to the mains supply using a 3 pin 13 amp plug, the voltage rating is 220-240 volts and should be protected by a 3amp fuse in the plug
- If the fuse should require replacement for any reason, the fuse must be replaced with a fuse rated at 3 amps and manufactured and approved to BS1362
- If the mains plug is unsuitable for the socket outlet in your home or is removed for any other reason, the cut off plug should have its fuse removed and be disposed of safely to prevent the hazard of electric shock. There is a danger of electric shock if the cut off plug is inserted into any 13 amp socket outlet
- In case of malfunction, the plug must be replaced. This must be performed only by professional personnel



Important

The wires color is coded in accordance with the following code:

Green and yellow = Earth

Blue = Neutral

Brown = Live

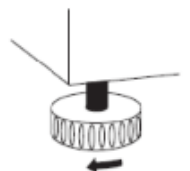
Double insulated appliances

If the colors do not correspond with the markings identifying the terminals in your plug, proceed as follows:

- The green and yellow wire, must be connected to the terminal in the plug which is marked with the letter E or with the earth symbol \perp or colored green and yellow
- The blue wire must be connected to the terminal marked N or colored Blue or Black
- The brown wire must be connected to the terminal marked L or colored Brown or Red

Placing Environment

- Leveling the cabinet. The refrigerator should be placed on a flat and solid surface. If the refrigerator is placed on an uneven surface, flat strong and fire-resistant materials must be used. Never use the foam packing material as a pedestal. If the refrigerator is slightly unstable, you can lengthen or shorten the adjustable feet of the refrigerator by turning them clockwise or anticlockwise
- Never place the refrigerator in a damp area or location where it may be splashed with water.
- The refrigerator with a water connection should be placed in a well-ventilated place not far from a drink water source. A space of at least 20cm and 10cm must be kept above and around the refrigerator
- Keep ventilation openings, in the appliance enclosure or in built-in structure, clear of obstruction



Preparation prior to use

- Remove all package parts: remove the foam base and the adhesive tape fixing accessories
- Check the items inside the package box against the Packing List. Please inquire with the purchase shop if there is any discrepancy within 5 days of purchase
- Move the refrigerator into a proper location: see section "Placing Environment"
- Please clean the refrigerator inside and outside with water before putting into any food on it
- Idle Standing: after the appliance has been leveled and cleaned, let it remain idle for at least 6 hours before switching it on so as to ensure normal running
- Connection to power supply: when the refrigerator is connected to power supply, the fridge temperature and the freezer temperature are automatically set to 5°C and -18°C respectively. The My Zone is on "chiller mode"
- Operation modes of the refrigerator (manual adjustment mode): can set temperature by pressing the temperature setup key. (see "Function Description" section of this manual)
- Load the refrigerator with food after it has been operating for a short period and the inside is cool enough

Functions

Control panel

• Fridge storage temperature setup

Press key A1 repeatedly until indicators B illuminates; press A2 to set the refrigerator temperature. Corresponding indicators B and D begin to flash simultaneously. The temperature increases by 1°C by each single press; The refrigerator setting sequence is “2”-“3”-“4”-“5”-“6”-“7”-“8”-“2”. The refrigerator temperature range goes from a minimum value of 2°C to a maximum value of 8°C. Stop to press A2 to confirm the set temperature

• Freezer storage temperature setup

Press key A1 repeatedly until indicators C illuminates; press A2 to set the freezer temperature. Corresponding indicators C and D begin to flash simultaneously. The temperature reduces by 1°C by each single press; The freezer setting sequences through “-16”-“-17”-“-18”-“-19”-“-20”-“-21”-“-22”-“-23”-“-24”-“-16”. The freezer temperature ranges from a minimum value of -24°C to a maximum value of -16°C. Stop to press A2 to confirm the set temperature

• Super cool

Press key A3 repeatedly until indicators E begin to flash; press A4 to confirm the activation of the Super Cooling function. This function can be disabled manually by repeating the activation procedure. This function will be automatically disabled when temperature drops below minimum level. In this mode, the Super Cool function will be disabled by the operation of setting the refrigerator

• Super freeze

Press key A3 repeatedly until indicators G begin to flash; press A4 to confirm the activation of the Super Freeze function. This function can be disabled manually by repeating the activation procedure. This function will be automatically disabled after 56 hours. If you are going to freeze large quantities of food in the freezer compartment, please switch on super freezing 24 hours before the food is placed in the freezer compartment.

In this mode, the Super Freeze function will be disabled by the operation of setting the freezer temperature

• Holiday Function

Press key A3 repeatedly until indicators I begin to flash; press A4 to confirm the activation of the Holiday Function. This function can be disabled manually by repeating the activation procedure. In Holiday mode, the refrigerator compartment operates at a temperature of 17°C automatically. In this mode, the Holiday Function will be disabled by the operation of setting the refrigerator temperature

• My Zone Q-cool function

Press key A3 repeatedly until indicators F begin to flash; press A4 to confirm the activation of the My Zone Q-cool Function. This function can be automatically disabled by choosing the other functions of My Zone compartment

• My Zone D-Frost Function

Press key A3 repeatedly until indicators H begin to flash; press A4 to confirm the activation of My Zone D-Frost function. This function can be automatically disabled by choosing the other functions of My Zone compartment

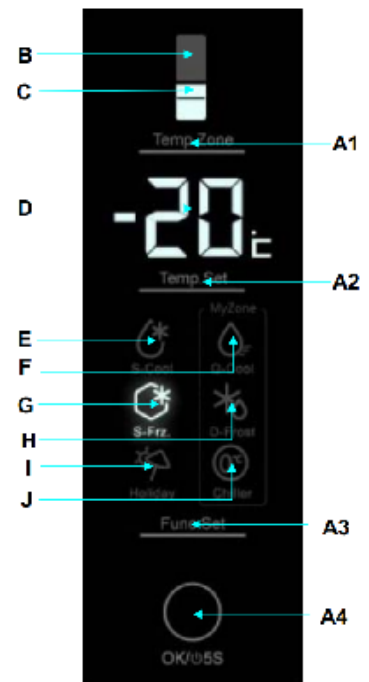
• My Zone Chiller Function

Press key A3 repeatedly until indicators J begin to flash; press A4 to confirm the activation of My Zone Chiller Function. This function can be automatically disabled by choosing the other functions of My Zone compartment.

Note: The compartment temperature can be reduced by using the Q-Cool function or increased by using the D-Frost function. Among the three functions of My Zone compartment, one of the functions must be activated

• Display control

The display screen will turn off automatically 30 seconds after an operation is finished. It will be lit up by opening the door or pressing any key. (Alarm does not light up the display screen)



• Door Opening Alarm

When the refrigerator door is opened, the fridge interior light and the control panel will illuminate. After 3 minutes, the door open alarm will sound. The alarm can be silenced by either closing the door or touching the control panel. If the refrigerator door is left open for more than 7 minutes, the internal light and control panel illumination will automatically switch off

• Turning off/on the Refrigerator

When the refrigerator is working, if you press key A4 for 5 seconds, the whole refrigerator will be switched off. The buzzer will begin to beep after pressing key A4 for 5 seconds. The whole refrigerator will stop to work after the beep. When the refrigerator is switched off, if you press key A4 for 5 seconds, the relevant indicator lights up, the refrigerator begins to operate. Note: The refrigerator needs to be emptied before operating this function; this operation is not equivalent to turning off the power

About the fridge storage compartment

Please put the food to be stored for short period or for daily consumption in the fridge storage compartment. Although the average temperature in most areas in the fridge storage compartment can be regulated between 0°C and 10°C, extended period of food storage is not recommended. The fridge storage compartment should only be used for short-term storage

Adjusting shelf height

The shelf can be relocated to accommodate food size or height. To adjust the height of a shelf, remove it first in this way: uplift its front edge and then pull it out. To install the shelf, put the lugs of both shelf sides on the supporting ribs and push it to the most rearward position

Fruit and vegetable box

The refrigerator has a crisper. You can adjust the humidity inside it according to the properties of the foods. Turning the humidity control button rightward enables the crisper to keep in a higher humidity suitable for cucumbers, grapes, chinese gooseberries, persimmons, etc. Turning the humidity control button leftward enables the crisper to keep in a lower humidity suitable for strawberries, oranges, beans, garlic, watermelon, plums, tomatoes, etc

My Zone Compartment

Q-Cool Function: under this function, My Zone compartment can quick cool 1/5 canned beverages within 60mins. This function can be disabled by choosing the other functions of My Zone compartment manually. Please make sure to take out the beverage bottles before the Q-Cool function being disabled, otherwise the bottles risk to be frozen.

D-Frost Function: under this function, My Zone compartment can defrost the frozen food. There will be no liquid on the surface of the food after defrosting. The food will be part frozen, convenient for cutting and cooking. This function can be disabled by choosing the other functions of My Zone compartment. The estimated defrosting time is showed in the table on right; the defrost time is only for reference, different size and thickness of meat and fish may need different defrosting time.

Weight	Defrost time
500g	7 hours
1000g	8 hours
1500g	10 hours

Chiller Function: Under this function, the My Zone compartment works at a temperature of around 0°C; it may be slightly changed due to the different ambient temperature or refrigerator working style. It is suitable to store fresh fish, meat and cooked food in 1-2 days

Disassemble of the bottle guard

To take out a bottle guard, uplift the bottle guards in direction and grip both sides and pull it out in direction. After cleaning, install it with the operation in the reversed direction

Use of the foldaway shelf

Fig.4A shows the extended state of the foldaway shelf in which you can put lower food containers. Fig.4B shows the folded state of the foldaway shelf in which you can put higher food containers. To fold the shelf from state 4A to state 4B, simply push structure “a” upwards, and push structure “b” inward in the direction of the arrow shown in the figure. To extend the shelf from state 4B to state 4A, push structure “a” upwards, and pull structure “b” in the direction of the arrow shown in the figure.

Use of the wire wine holder

Fig.5A shows the folded state of the wire wine holder. In this state large space can be spared. Fig.5B shows the extended state of the wire wine holder. In this state it can hold various wines. To extend it from state 5A state 5B, simply pull the wire down. To fold it from state 5B to state 5A, simply push the wire up. **Warning:** Make sure to keep the two ends of a shelf on the same level. Otherwise it may fall or the food on it may fall.

Recommended storage for various food (fig.6)

As cold air circulates inside the refrigerator, there is temperature difference inside the fridge storage compartment. Different foods should be placed in different areas according to their properties (table on right). Large items of frozen food can be stored after removing the internal drawers and trays in the freezer compartment (position 13)

1	Eggs, butter, cheese, etc.
2	Butter, makeup, etc.
3	Drinks, canned food and etc.
4	Beverages, canned food and etc.
5	Wine, champagne, etc.
6	Milk, cheese, etc.
7	Fruits, vegetables, etc.
8	Cooked meat, fresh fish and meat, etc.
9	Small items of frozen food or packed food
10	Frozen food, ice cream, etc.
11	Small size of frozen food or packed food
12	Frozen food, ice cream, etc.

Lamp in the fridge storage compartment

Parameters of the lamp: 12V-5W (A2FE735*/C2FE836*), 12V-2W (C2FE636*/A2FE635*/C2FE736*).

The lamp adopts LED as its light source, featuring low energy consumption and long service life. If there is any abnormality, please contact the after-sales service.

More storage volume

For an efficient use of energy, except the lowest position basket in fridge or freezer, other basket(s) are allowed to remove for storing high quantities of food. Do not block the air vent inside the freezer and keep 15mm free distance for it, and do not put food on the freezer sensor and keep 15mm free distance for it

Maintenance

• Defrosting the freezer

The freezer defrosts automatically. No manual operation is needed

• Cleaning

The refrigerator should be cleaned regularly to prevent bad stored food odours. For safety, unplug the power cord before cleaning the refrigerator. Clean the refrigerator with a soft cloth or sponge with warm water (mild detergent may be added). Dry water droplets on the refrigerator surfaces with a dry soft cloth. Always keep the gaskets clean

Warnings:

- The refrigerator is very heavy. When you are moving it for cleaning or repairs, take care not to damage the floor. Keep the refrigerator upright during moving. Don't move the refrigerator by rocking it to avoid damage to the floor
- Do not spray or flush the refrigerator with water to avoid impact on its electrical insulation properties
- Do not clean with hard brush, wire brush, detergent powder, gasoline, amyl acetate, acetone and similar organic solutions, acid or alkaline solutions. Please clean with special refrigerator detergent or warm water and a mild detergent to avoid damage
- Do not touch the cold metal parts with wet hands; otherwise your skin may stick on the cold metal parts
- When cleaning, do not clean the cold glass shelves with warm water. Otherwise the glass may break due to sudden temperature change and cause personal injury or property loss

• Measures on power interruption

Even in summer, food may be stored in the refrigerator for a few hours after a power interruption. If a power interruption occurs, please call the power company to ask about the interruption duration. Do not put additional

food into the refrigerator during a power interruption and try to open the door as few times as possible. If prior notice of a power interruption is given and the interruption duration is over 24 hours, make some ice and put it in a container in the top of the fridge storage compartment. **Warning:** As temperature in the refrigerator will rise during a power interruption or other failures, the storage period and edible quality of food will be reduced

• Stopping use

If the refrigerator will not be used for an extended period, please unplug the power cord, disconnect the water source, and clean it with the method described above. Keep the refrigerator door open to prevent any food remaining in the compartment from producing bad odors. To ensure the service life of the refrigerator, it is recommended that the refrigerator not be turned off unless it is necessary

• Before leaving for a holiday or vacation

If leaving on an extended vacation, please disconnect the power and water source. Remove any food; wait for the frost to melt. Afterwards, clean and dry the interior, and keep the door open to prevent any food remaining in the compartment from producing bad odours. If the room temperature is expected drop below 0°C, please ask a qualified service person to drain the water in the water supply system. Otherwise serious property loss may be caused due to overflow of water if the water pipe or joint breaks

• Moving the refrigerator

Unplug the refrigerator and remove all the food inside of it. Secure the shelves and crisper in the fridge storage compartment as well as the shelves and other movable parts in the freezer with adhesive tape. Close the door and secure it with adhesive tape. Do not tilt the refrigerator more than 45 degrees (angle to vertical) to avoid damaging the refrigerating system. Do not move the refrigerator by its handle to avoid property damage or personal injury. Never place the refrigerator horizontally

Trouble-shooting

Before calling for service, read the following troubleshooting table first. This can save both your time and money. The table contains common problems except those caused by defects in workmanship or material of the refrigerator

Problem	Cause	Solution
Refrigerator malfunction		
The refrigerator runs frequently or runs for too long periods	<ol style="list-style-type: none"> 1. The indoor or outdoor temperature is too high 2. The refrigerator has been powered off for a period of time 3. The door is opened too frequently or for long periods 4. The door of the fridge/freezer storage compartment is not tightly closed 5. The temperature setting for the freezer storage compartment is too low 6. The door gasket of the fridge/freezer storage compartment is dirty, worn, cracked or mismatched 7. The condenser is dirty 	<ol style="list-style-type: none"> 1. In this case, it is normal for the refrigerator to run longer 2. Normally, it takes 8 to 12 hours for the refrigerator to totally cool down 3. Warm air enters the refrigerator and causes it to start frequently. Please do not open the door too frequently 4. Ensure the refrigerator is located on a level ground and there is no food or container jarring the door. See “door/drawer opening/closing” in section “Problem” 5. Set the temperature higher until a satisfactory refrigerator temperature is obtained. It takes 24 hours for the refrigerator temperature to become stable 6. Clean or replace the door gasket. A leakage gap of door gasket can cause a longer running time of the refrigerator in order to maintain desired temperature 7. Clean the condenser (call the service)

The compressor does not work	<ol style="list-style-type: none"> 1. The refrigerator is in the defrosting cycle 2. The refrigerator is not plugged into a power outlet 3. The refrigerator is turned OFF 	<ol style="list-style-type: none"> 1. This is normal for an automatic defrosting refrigerator 2. Verify the plug is plugged in the socket firmly 3. Press the "Power" button for 3 seconds or more to restart the refrigerator or turn the knob from OFF to temperature selection position
Too high temperature		
Too high temperature in the fridge/freezer storage compartment	<ol style="list-style-type: none"> 1. The door is opened too frequently or for too long each time 2. Temperature is set too high. 3. The door is not closed tightly. 4. The condenser is dirty 	<ol style="list-style-type: none"> 1. Warm air will enter the refrigerator whenever the door is opened. Try to open the door as less frequently as possible 2. Reset the temperature 3. See "Door/drawer opening/closing in section "Problem" 4. Call the service to clean the condenser
The temperature in the freezer is too high while the temperature in the fridge storage compartment is OK	The freezer temperature is set too high	Set the freezer temperature lower. It takes 24 hours for the temperature of the refrigerator to become stable
Water/moisture/frost on outside surface of the refrigerator		
Moisture accumulates on the refrigerator's outside surface or between two doors	<ol style="list-style-type: none"> 1. Too damp climate. 2. The refrigerator door is not closed tightly. This causes condensation of the cold air in the refrigerator and the warm air outside it 	<ol style="list-style-type: none"> 1. This is normal in damp climate. The moisture will decrease when the humidity drops. 2. See "Door/drawer opening/closing" in section "Problem"
Bad odours in the refrigerator		
The inside of the refrigerator is dirty	<ol style="list-style-type: none"> 1. The inside of the refrigerator needs cleaning 2. Food of strong odour is stored in the refrigerator 	<ol style="list-style-type: none"> 1. Clean the internal of the refrigerator 2. Wrap the food tightly
If you hear...		
Beeps	<ol style="list-style-type: none"> 1. The fridge storage compartment door is open 2. The temperature in the freezer is too high 	<ol style="list-style-type: none"> 1. Close the door or silence the alarm manually 2. The alarm is normal when it is first started due to relatively higher temperature. You can silence the alarm manually
Abnormal sound	<ol style="list-style-type: none"> 1. The refrigerator is not located on a level place 2. The refrigerator touches some object around it 	<ol style="list-style-type: none"> 1. Adjust the feet to level the refrigerator 2. Remove objects too close
Slight sound similar to that of flowing water	This is the sound of the refrigerating system	Normal
Heating of cabinet	The anti-condensation system is working	This prevents condensation and is normal

After-sales service

If after checking the trouble-shooting part, the problem is not solved, please check the Warranty Card included in the product and call the Assistance Centre, specifying the data on the Identification and serial number plate: this plate is located inside the refrigeration compartment.

Note: the identification and serial number plate provides important information about the appliance and in any case **must not be tampered with or removed**

Useful information

Haier UK

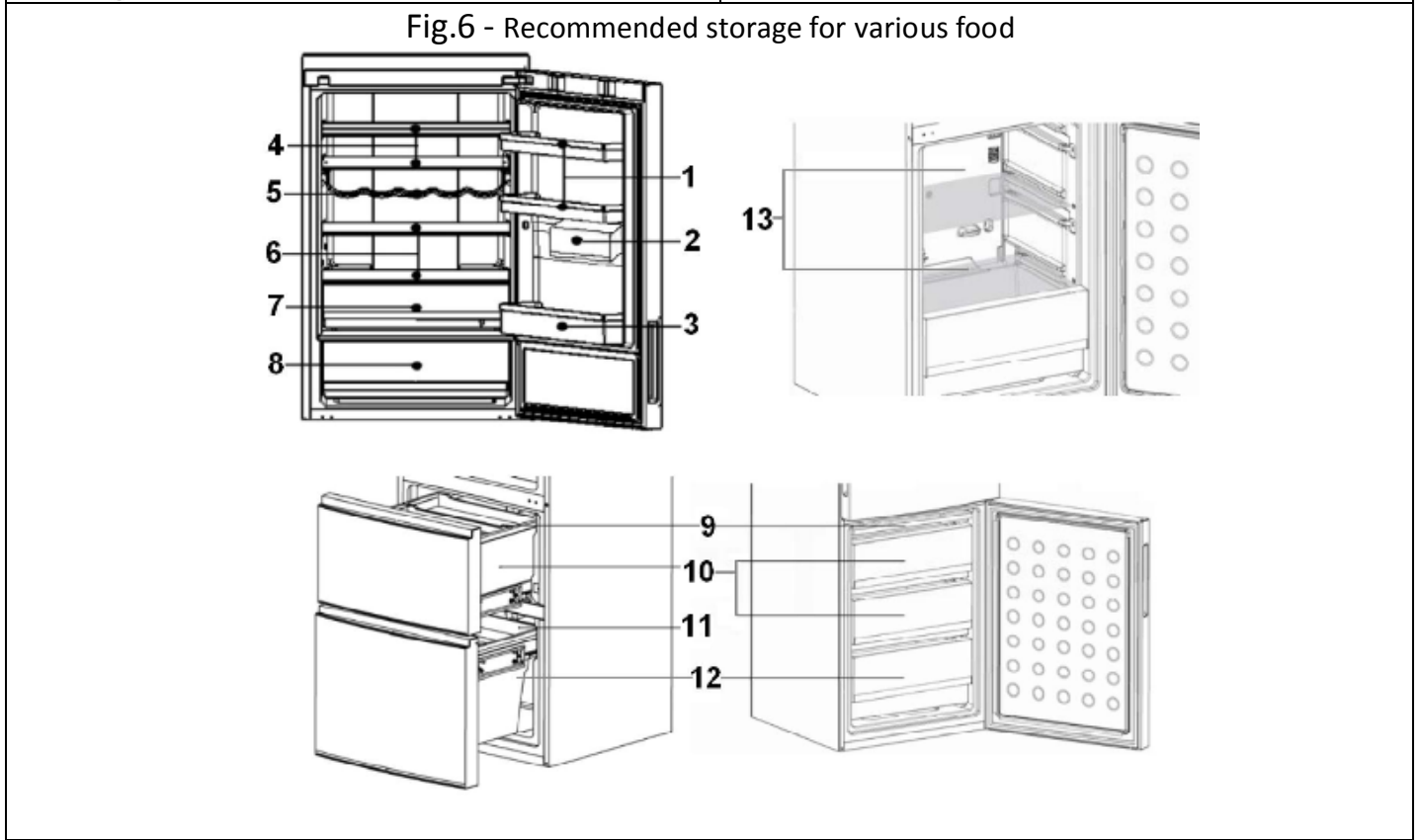
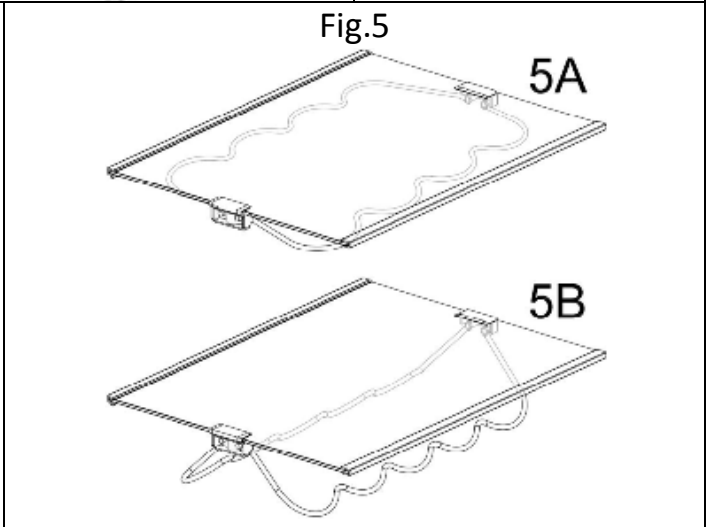
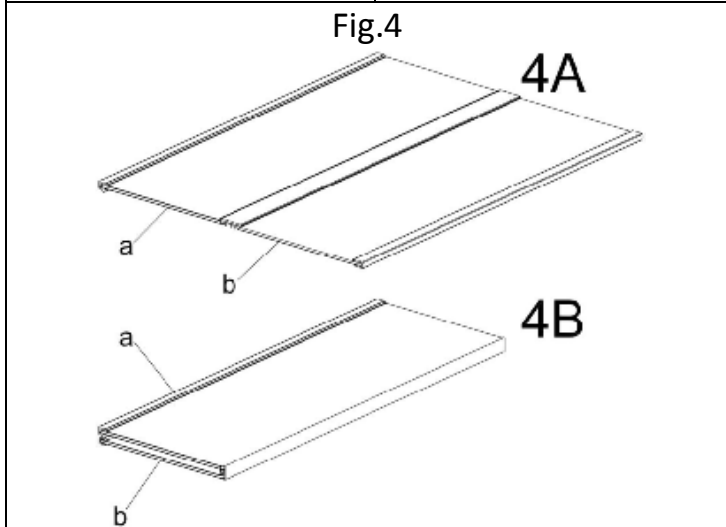
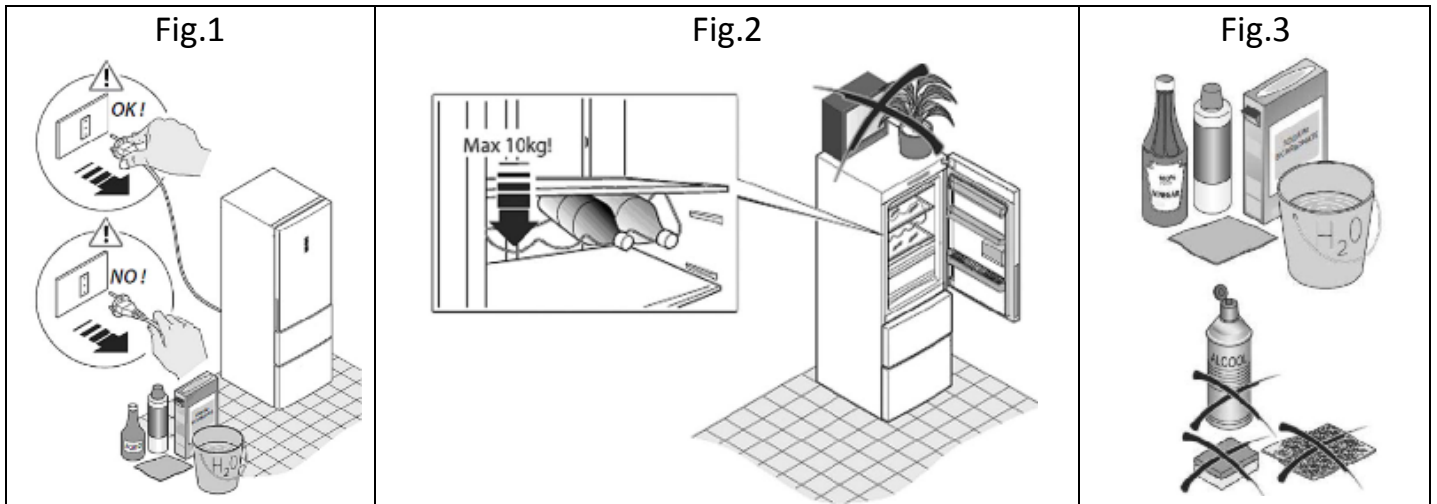
Haier Europe Trading S.r.l. - UK branch

Westgate House, Westgate, Ealing, London W5 1YY

Product fiche (according EU 1060/2010)

Model	C2FE636*	C2FE736*	C2FE836*	A2FE635*	A2FE735*
Trade mark	Haier	Haier	Haier	Haier	Haier
Model	C2FE636*	C2FE736*	C2FE836*	A2FE635*	A2FE735*
Appliance category	Refrigerator / freezer	Refrigerator / freezer	Refrigerator / freezer	Refrigerator / freezer	Refrigerator / freezer
Energy efficiency class	A+	A++	A+++	A+	A++
Energy consumption (kWh/year) ¹⁾	353	276	185	348	274
Net fridge storage volume (l)	248	248	248	248	248
Net freezer storage volume (l)	104	104	104	99	99
The design temperature of "other compartments" >14°C	No	No	No	No	No
No-frost	Yes	Yes	Yes	Yes	Yes
Temperature rise time (h)	13h	13h	16h	13h	13h
Freezing capacity (kg/24h)	12	12	10	12	12
Climate class	SN-T	SN-T	SN-T	SN-T	SN-T
Noise level (dB)	42	40	40	40	40
Built-in / Freestanding	Freestanding	Freestanding	Freestanding	Freestanding	Freestanding

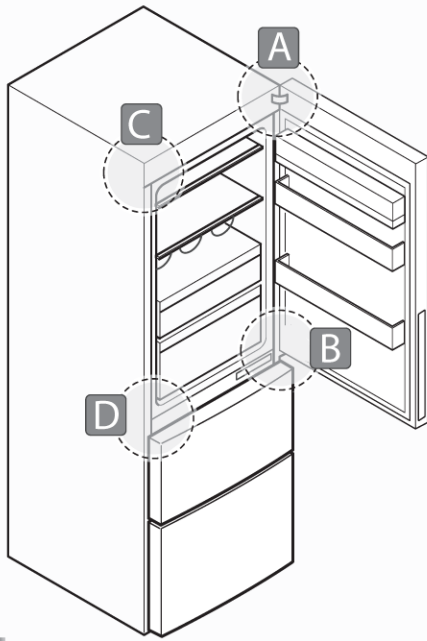
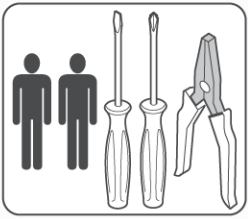
1) Based on standard test results for 24 hours. Actual energy consumption will depend on how the appliance is used and where it is located.



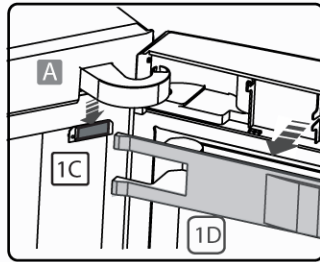
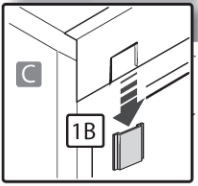
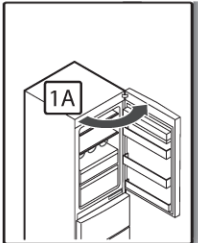
Description of refrigerator



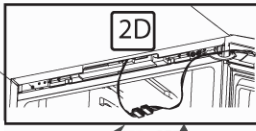
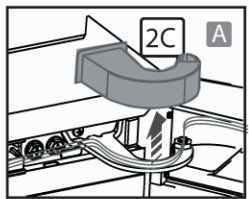
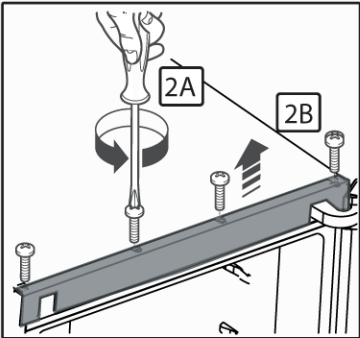
Pos.	C2FE636*	C2FE736*	C2FE836*	A2FE635*	A2FE735*
A	Glass shelf	Glass shelf	Foldaway shelf	Glass shelf	Foldaway shelf
B	Glass shelf	Glass shelf	Bottle rack	Glass shelf	Bottle rack
C	Glass shelf				
D	Fresh keeping box glass cover				
E	Fruits and vegetables zone				
F	My Zone				
G	Upper balcony				
H	Middle balcony				
I	Bottom bottle rack				
L	/	/	Butter box	/	Butter box
M	Freezer drawers				



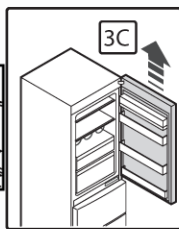
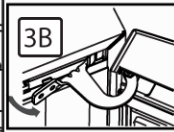
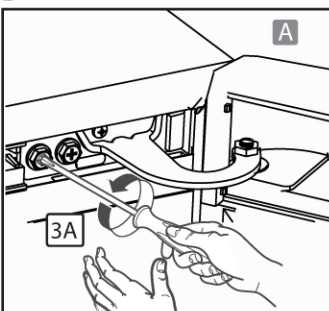
1



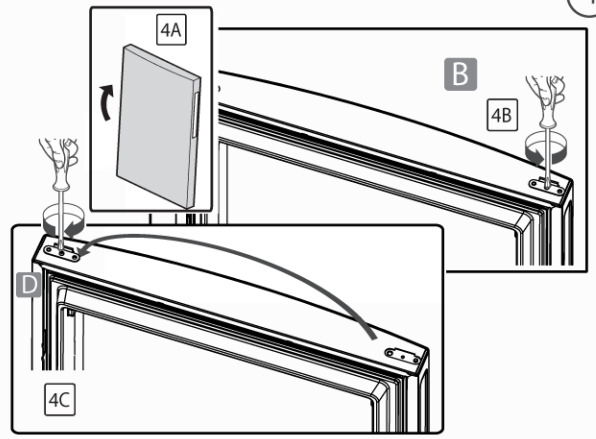
2



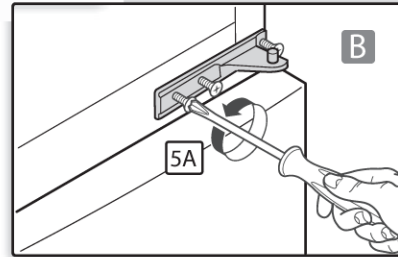
3



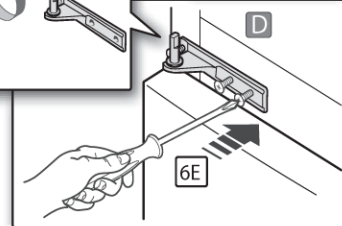
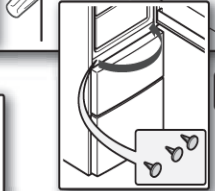
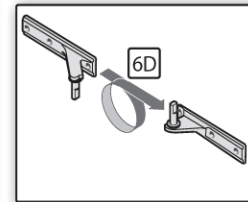
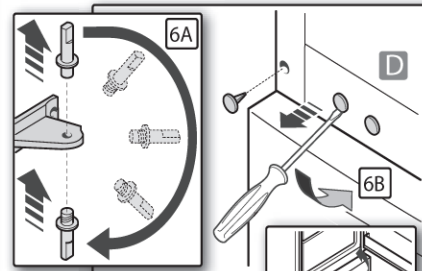
4



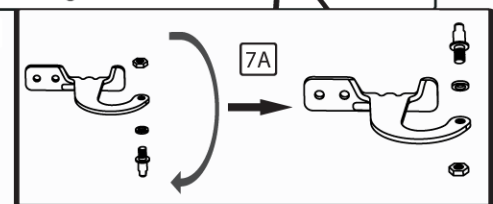
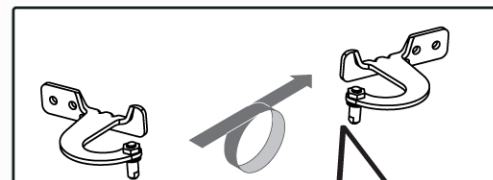
5



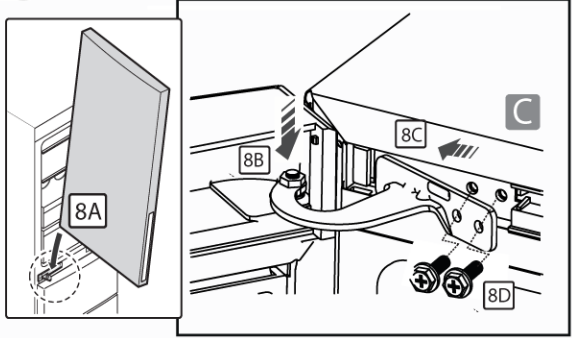
6



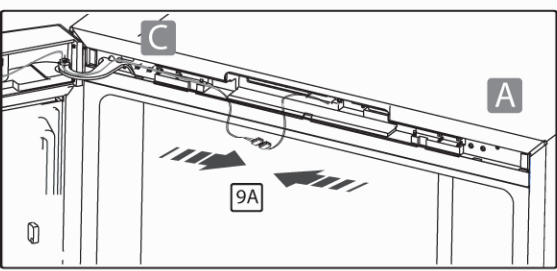
7



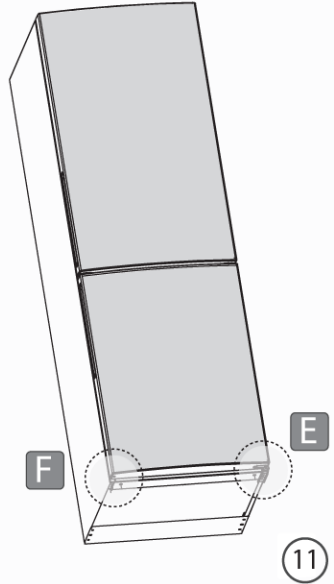
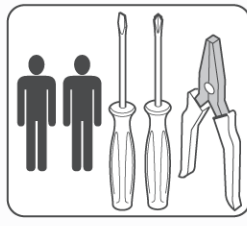
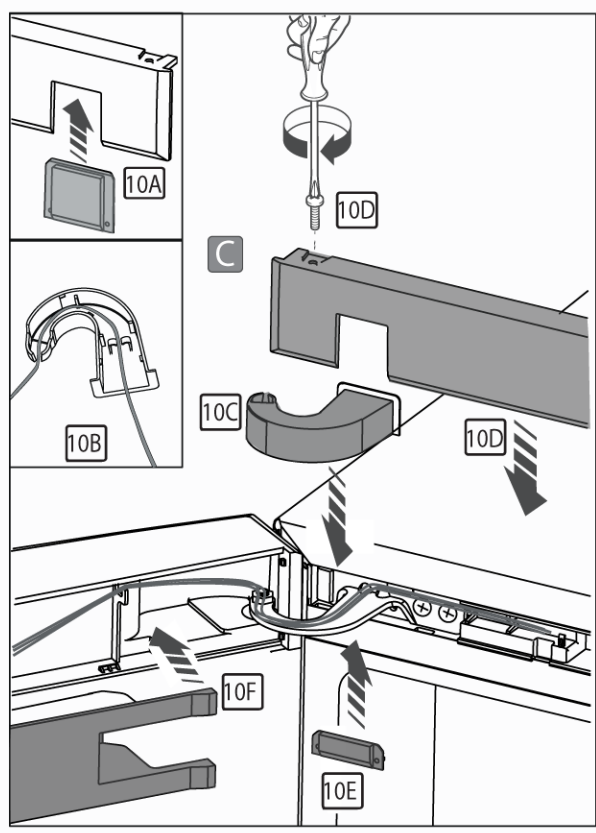
8



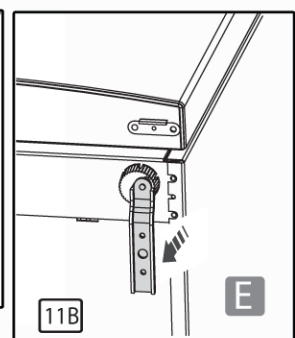
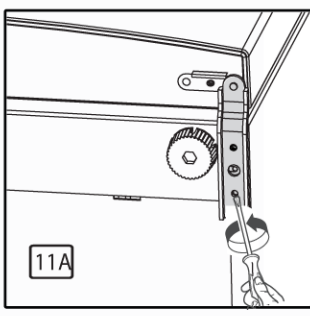
9



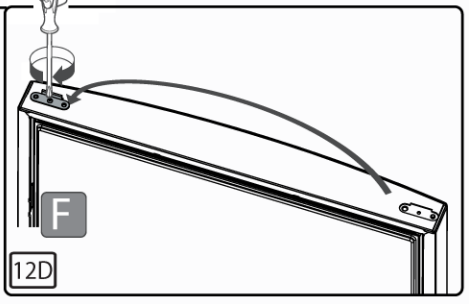
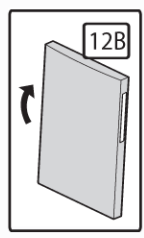
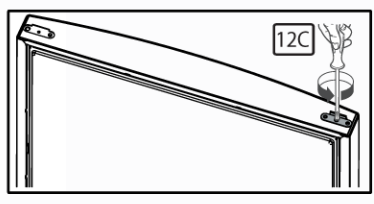
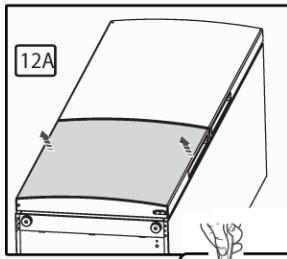
10



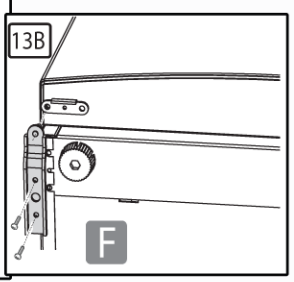
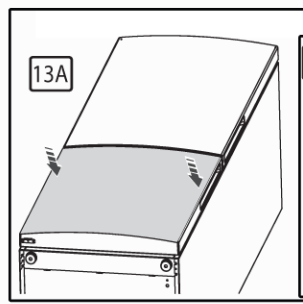
11

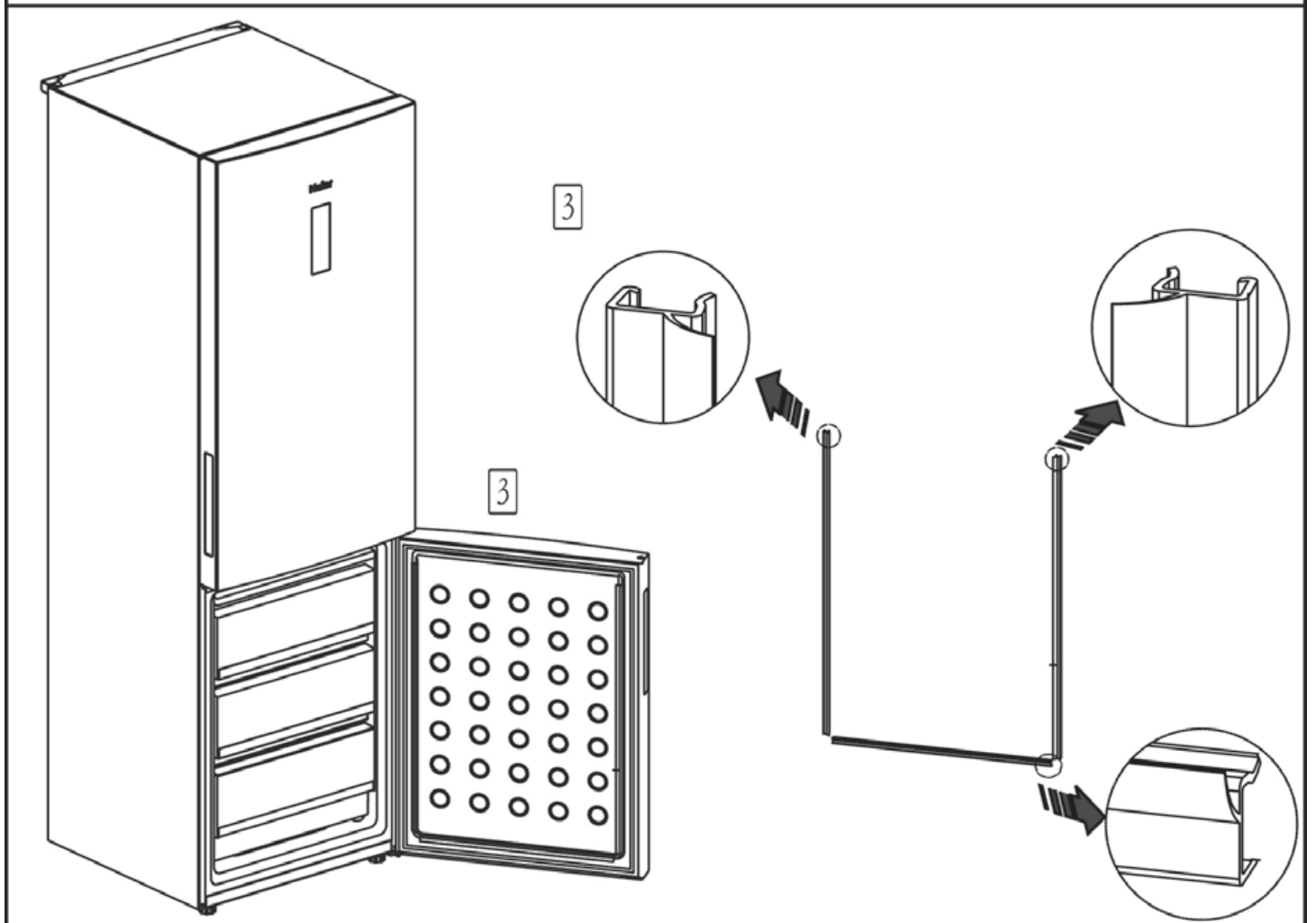
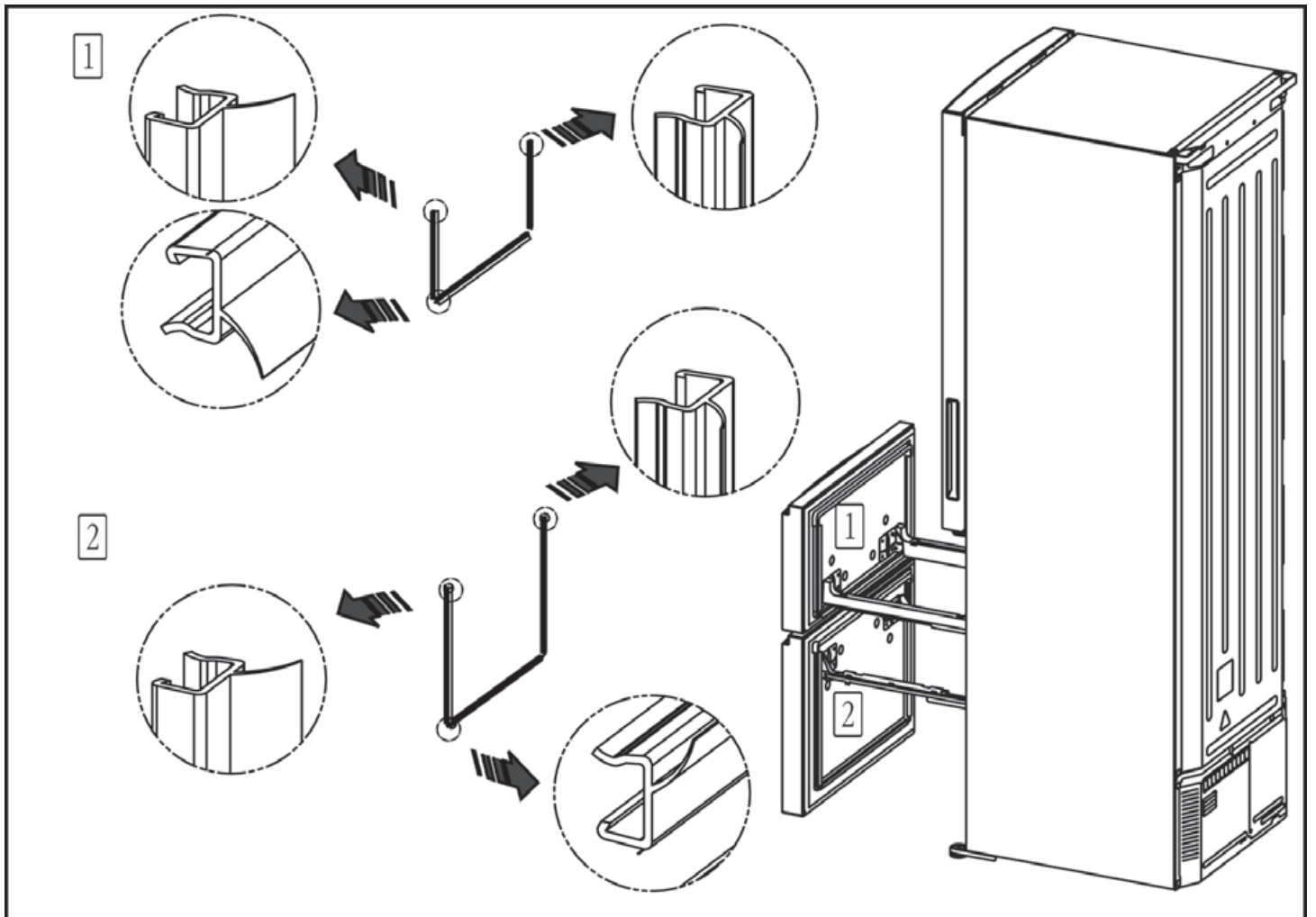


12



13





Haier

Haier (Italy) Appliances S.p.A.
