

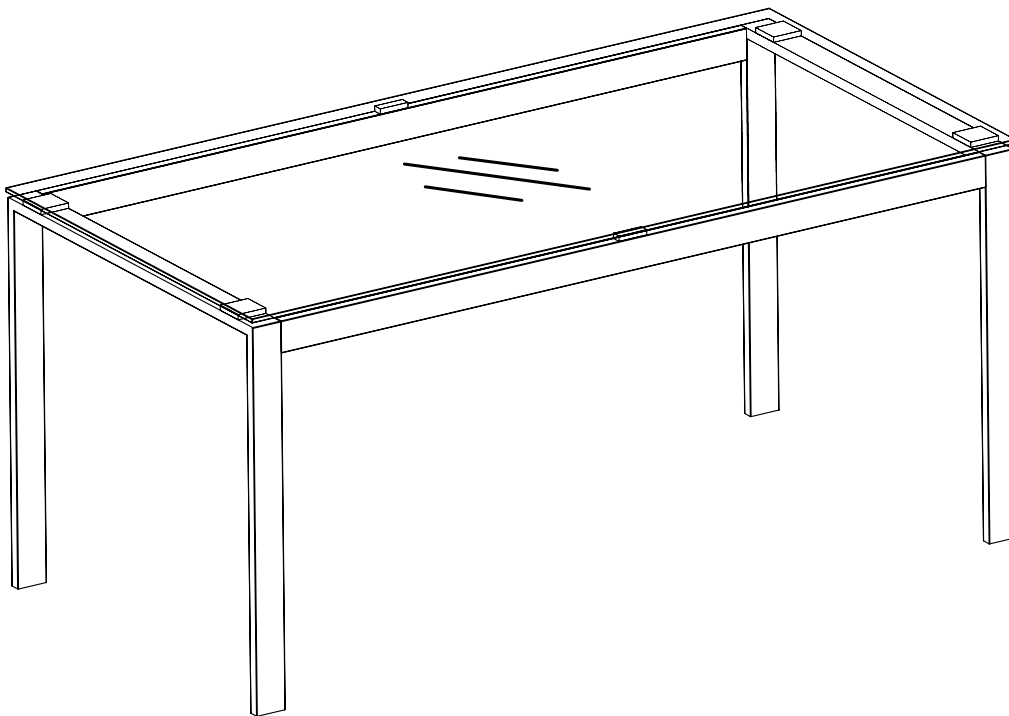
# Metal & Glass Dining Table

Assembly Instructions - Please keep for future reference

424/6451

391/5288

341603



## Dimensions

Width - 160cm

Depth - 80cm

Height - 75cm

**Important** - Please read these instructions fully before starting assembly

If you need help or have damaged or missing parts, call the **Customer Helpline**

**Argos: 0345 640 0800    Homebase: 0345 077 8888**



# Safety and Care Advice

## Important - Please read these instructions fully before starting assembly

- Check you have all the components and tools listed on page 2.
- Remove all fittings from the plastic bags and separate them into their groups.
- Keep children and animals away from the work area, small parts could choke if swallowed.
- Make sure you have enough space to layout the parts before starting.
- Do not stand or put excessive weight on the product, this could cause damage.
- Assemble the item as close to its final position (in the same room) as possible.
- Parts of the assembly will be easier with 2 people.
- Dispose of all packaging carefully and responsibly.
- Place the product on flat and steady surface during use.
- Assemble on a soft level surface to avoid damaging the unit or your floor.
- Keep these instructions for further use.
- To ensure an easier assembly, we strongly advise that all fittings are only finger tightened during initial assembly. Only upon completion of the assembly should all fixing points be fully tightened.

## Glass safety

- Keep these instruction for future reference.
- Imported by:  
Argos Ltd.  
489-499 Avebury Boulevard.  
Saxon Gate West.  
Central Milton Keynes.  
MK9 2NW
- If the glass is chipped or broken, stop using the product and consult the Manufacturer or Supplier.
- Batch No:
- Date of Manufacture:
- Type of glass used: 8mm toughened glass

### Warnings

- (a) Do not place very hot or very cold items on the glass surface(s) unless adequately thick table mats are used to prevent such items from coming into contact with the glass.
- (b) Do not sit or stand upon the glass surface(s).
- (c) Do not use the glass as a chopping surface. Do not strike the glass with hard or pointed items.
- (d) When cleaning glass panels use a damp cloth or leather with washing up liquid or soft soap if necessary, do not use washing powders or any other substance containing abrasives since these substances scratch glass.

## Care and maintenance

- Only clean using a damp cloth and mild detergent, do no use bleach or abrasive cleaners.
- From time to time check that there are no loose screws on this unit.
- This product should not be discarded with household waste. Take to your local authority waste disposal centre.

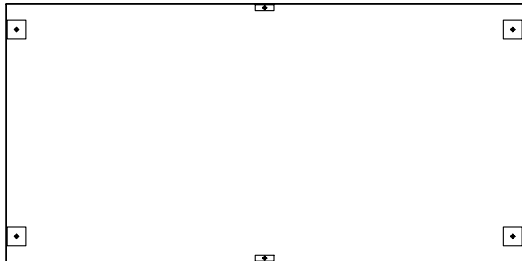
## Handy hints

- Assemble all parts and bolts loosely during assembly, only once the product is complete should you fully tighten the bolts.
- Regularly check and ensure that all bolts and fittings are tightened properly.

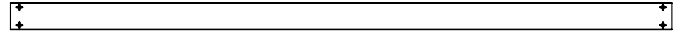
# Components - Parts

If you have damaged or missing components, call the Customer Helpline  
Argos: 0345 640 0800 Homebase: 0345 077 8888

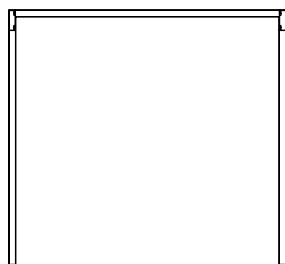
Please check you have all the parts listed below



**1** Glass Top x 1 (160x0.8cm)



**3** Cross Bar x 2 (147.5x6cm)

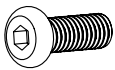
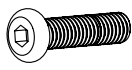
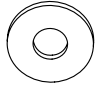




**2** Leg x 2 (79.5x73cm)

# Components - Fittings

Please check you have all the fittings listed below

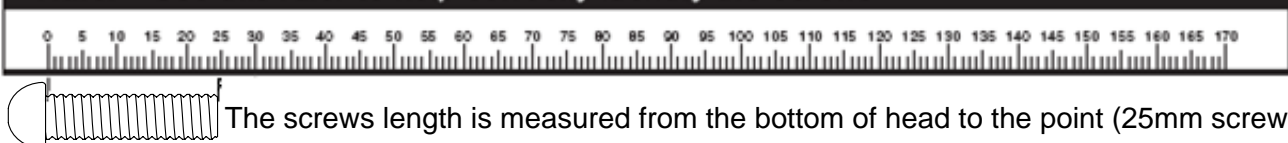
**Note:** The quantities below are the correct amount to complete the assembly. In some cases more fittings may be supplied than are required.

<p><b>A</b></p>  <p>15mm bolt x 8</p>	<p><b>B</b></p>  <p>25mm bolt x 4</p>	<p><b>C</b></p>  <p>Washer x 12</p>
<p><b>D</b></p>  <p>Allen Key x 1</p>	<p><b>E</b></p>  <p>Washer x 8</p>	

## Tools required

 Tape measure

**Ruler - Use this ruler to help correctly identify the screws**



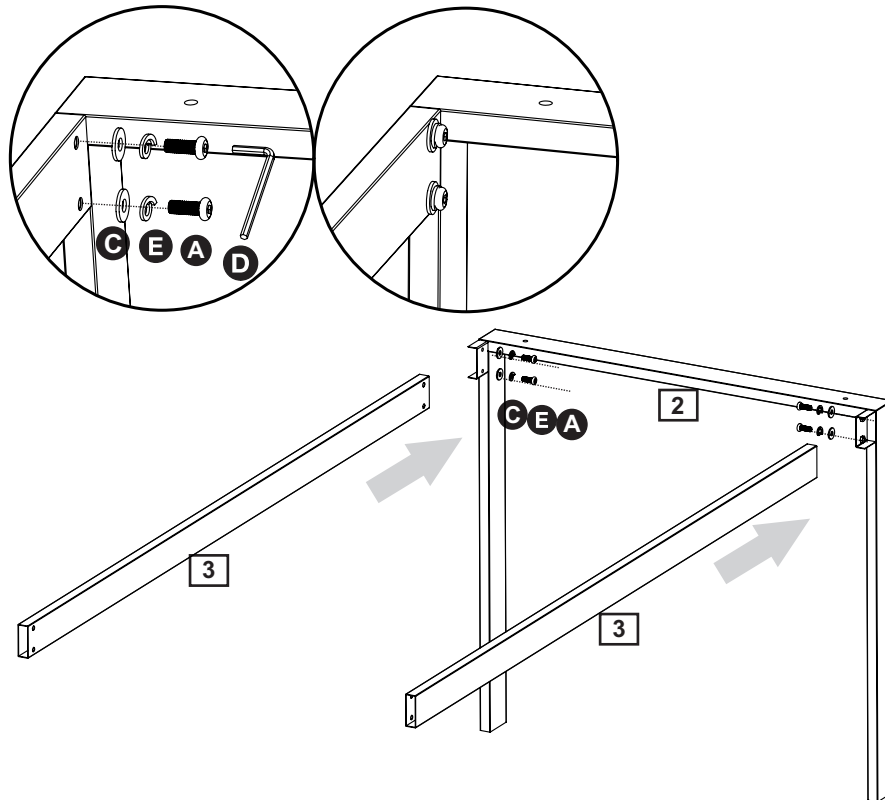
The screws length is measured from the bottom of head to the point (25mm screw shown).

# Assembly Instructions

## Step 1

### Fitting the frame

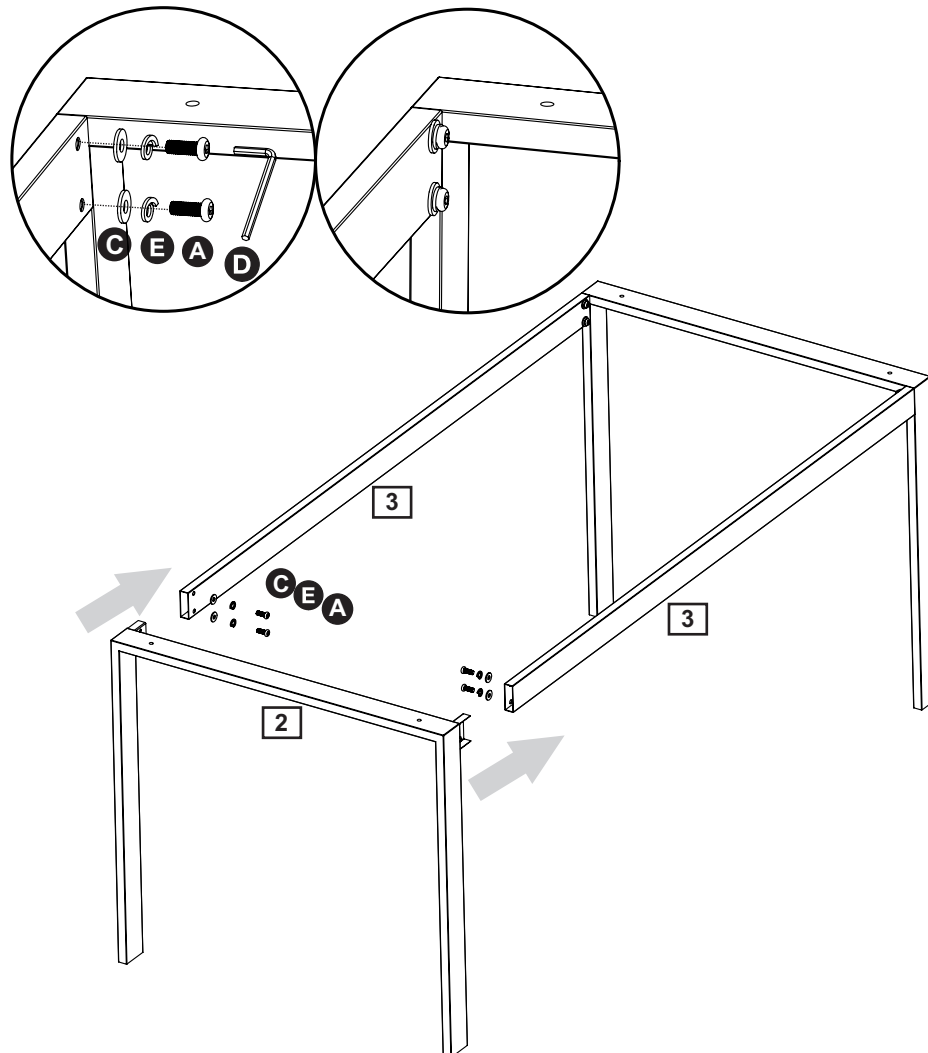
Attach Leg **2** onto Cross Bar **3** and tighten 4 Bolt **A** & 4 Washer **C** & **E** use Allen Key **D**



## Step 2

### Fitting the frame

Attach Leg **2** onto Cross Bar **3** and tighten 4 Bolt **A** & 4 Washer **C** & **E** use Allen Key **D**



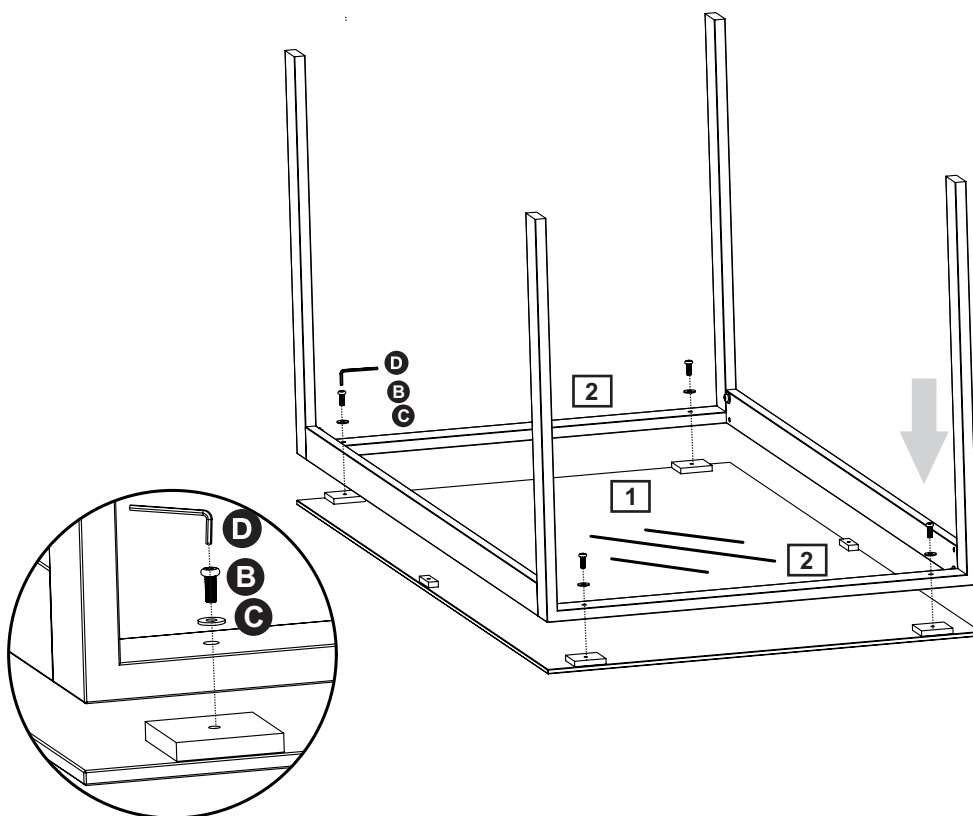
# Assembly Instructions

## Step 3

### Fitting glass top

Put frame onto Glass Top

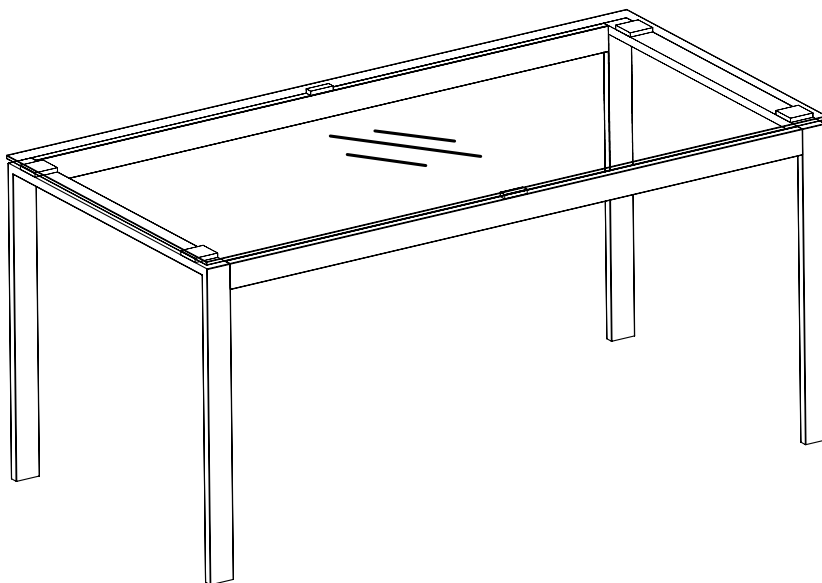
**1** and Tighten 4 Bolt **B**  
& 4 Washer **C** use Allen Key **D**



## Step 4

With help, carefully  
turn the unit upright and  
place to desired location.

**Assembly is complete.**



If you need help or have damaged or missing parts, call the Customer Helpline

Argos: 0345 640 0800

Homebase: 0345 077 8888

# Aston Chair

Assembly Instructions - Please keep for future reference

603/5213

603/5189

603/5196

603/5237

603/5172

603/5206

603/5220

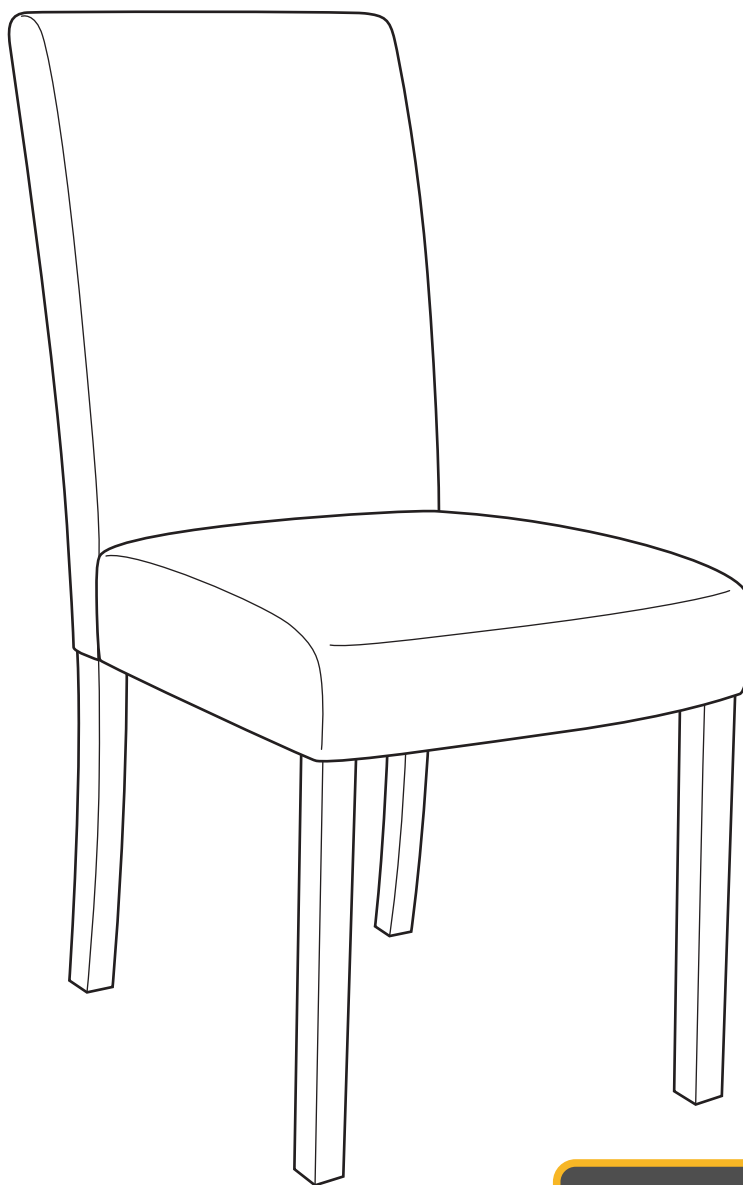
603/3796

603/3806

257/9814

246/4273

278/9192



## Dimensions

Width - 43.5cm

Depth - 54cm

Height - 86.5cm



Stabilyne seat:  
Patented, Recyclable & just plain **TOUGH!**

**Important** - Please read these instructions fully before starting assembly

If you need help or have damaged or missing parts, call the **Customer Helpline:**  
**Argos = 0345 640 0800**



# Safety and Care Advice

**Important - Please read these instructions fully before starting assembly**

- Check you have all the components and tools listed on the following pages.
- Remove all fittings from the plastic bags and separate them into their groups.
- Keep children and animals away from the work area, small parts could choke if swallowed.
- Make sure you have enough space to layout the parts before starting.
- Parts of the assembly will be easier with 2 people.

- During assembly do not stand or put weight on the product, this could cause damage.
- Assemble the item as close to its final position (in the same room) as possible.
- Assemble on a soft level surface to avoid damaging the unit or your floor.
- Do not stand on the chair.
- Do not use this chair as step ladder.



• To reduce the likelihood of damaging your product please ensure that your power drill is set on a low torque setting.

- Unit weight: 4.58 kgs.
- Maximum safe weight of user: 110kgs.

## Care and maintenance

- Only clean using a damp cloth and mild detergent, do not use bleach or abrasive cleaners.
- From time to time check that there are no loose screws on this unit.
- This product should not be discarded with household waste. Take to your local authority waste disposal centre.

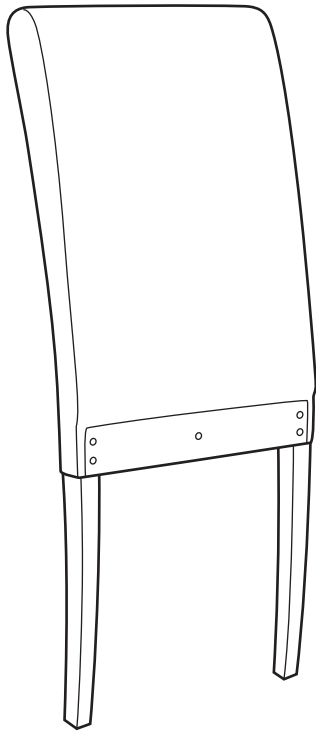
## Handy Hints

- Assemble all parts and bolts loosely during assembly, only once the product is complete should you fully tighten the bolts.
- Regularly check and ensure that all bolts and fittings are tightened properly.

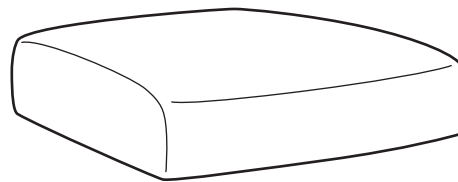
# Components - Parts

If you have damaged or missing components, call the  
Customer Helpline: Argos = 0345 640 0800

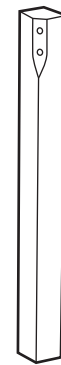
Please check you have all the parts listed below



**1** Backrest  
(36 x 9 x 86.5cm)



**2** Seat  
(43.5 x 41.5 x 10cm)

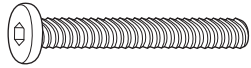





**3** Leg x 2  
(3 x 3 x 43cm)

# Components - Fittings

Please check you have all the fittings listed below

**Note:** The quantities below are the correct amount to complete the assembly. In some cases more fittings may be supplied than are required.

<p><b>A</b> </p> <p>M6 x 50mm Bolt x 9</p>	<p><b>B</b> </p> <p>Spring washer x 9</p>	<p><b>C</b> </p> <p>Flat washer x 9</p>
<p><b>D</b> </p> <p>Allen key x 1</p>		



# Assembly Instructions

## Step 1

### Attaching legs

Place the seat **2** upside down on a flat protected surface.

Insert the legs **3** into the holes of the seat as shown and fix using bolts **A**, spring washers **B** and washers **C**.

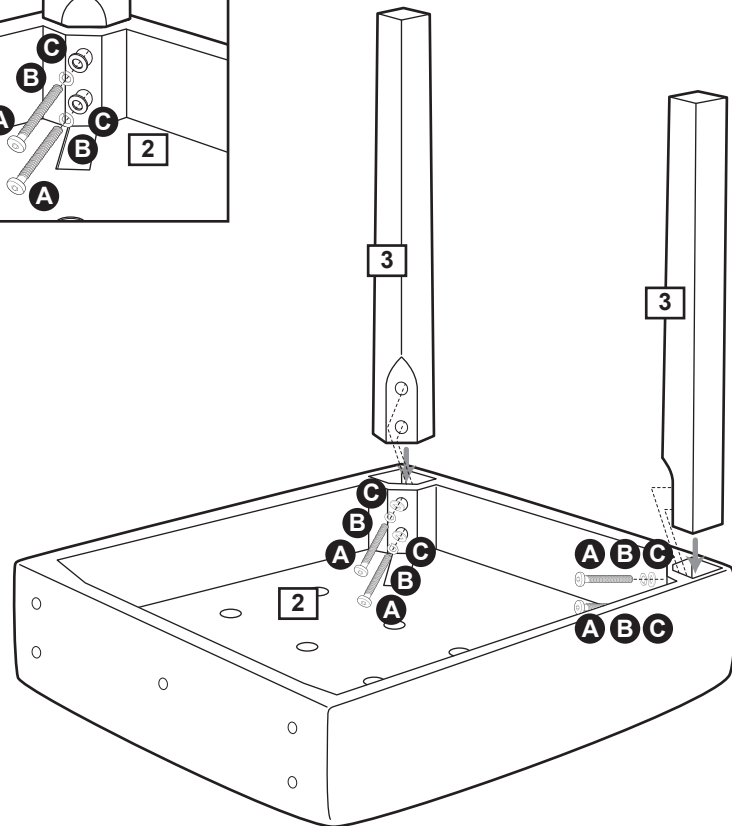
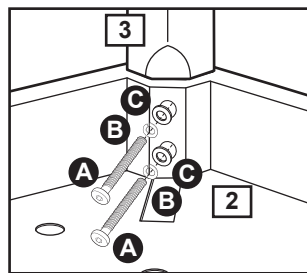


**Important:**

Fasten bolts using allen key **D** but do not fully tighten at this stage.

**Note:**

Use oval head of allen key when tightening bolts on corner positions.



## Step 2

### Attaching backrest

Place the backrest on a flat protected surface.

Position the seat **2** on the backrest **1** as shown and fix using bolts **A**, spring washers **B** and washers **C**.

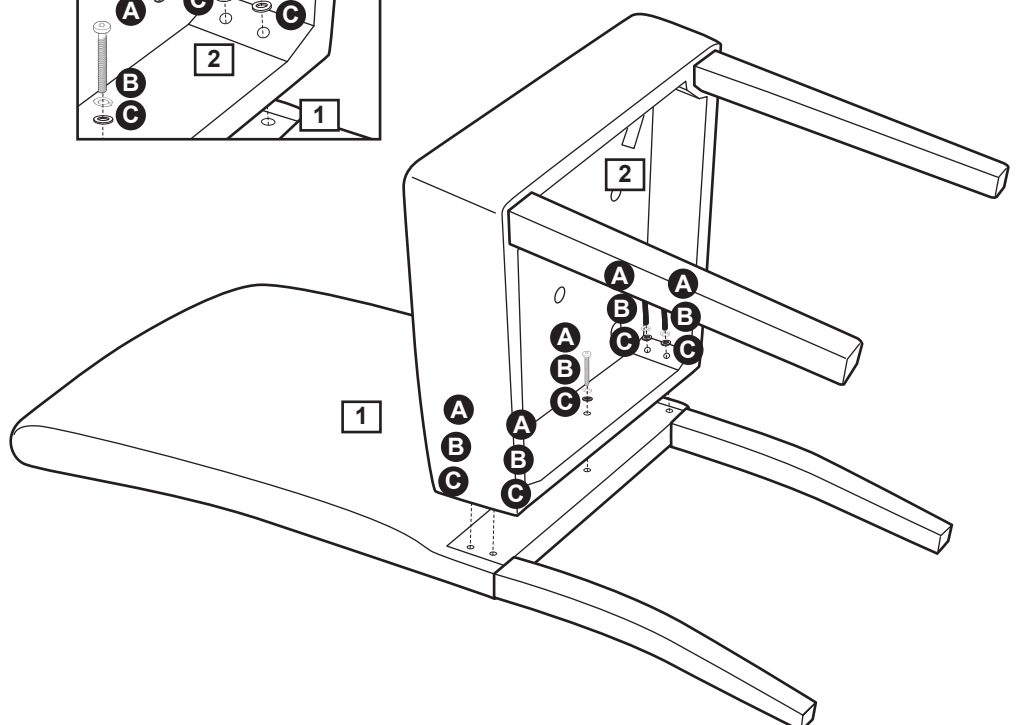
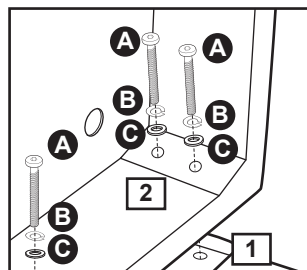


**Important:**

Fasten bolts using allen key **D** but do not fully tighten at this stage.

**Note:**

Use oval head of allen key when tightening bolts on corner positions.



# Assembly Instructions

## Step 3

### Aligning & securing the legs

Carefully turn the chair upright and place on a flat surface.

**a:** Tighten all bolts using allen key **D**.

**Note:**

Use oval head of allen key when tightening bolts on corner positions.

**Note:** This step is essential to prevent the chair from wobbling due to uneven legs.

**b:** Carefully sit on the chair and make adjustments to ensure the legs are flat even on the floor.

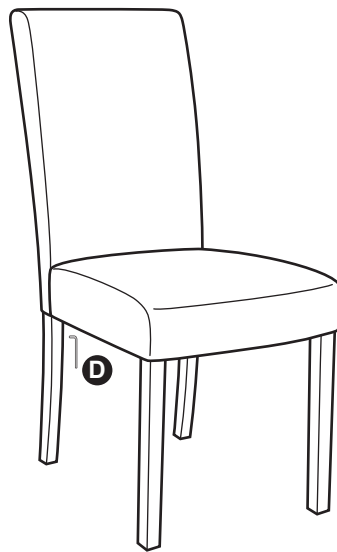
**c:** After the sitting test, re-tighten bolts again if any adjustment is needed.

**Note:** It is highly recommended to re-tighten all bolts after using the chair for 7 days.

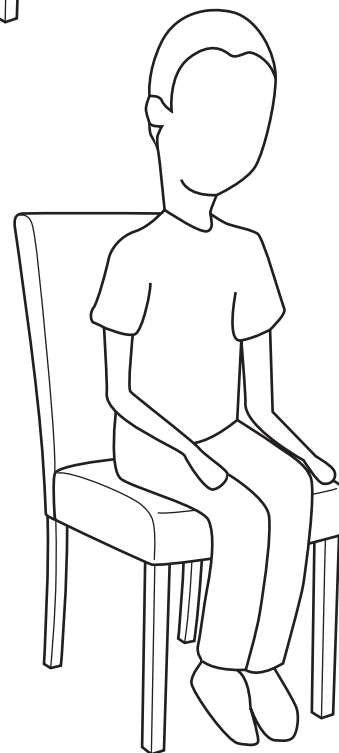
**Note:** Keep allen key to re-tighten bolts when required.

**Assembly is complete.**

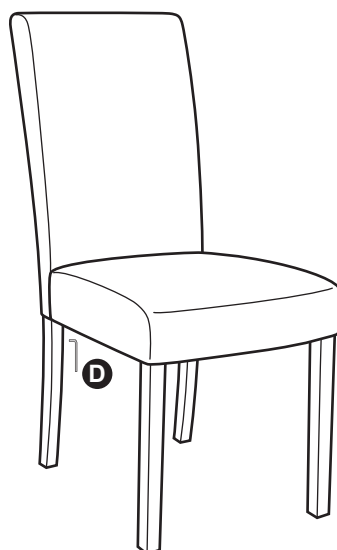
**a:**



**b:**



**c:**



If you need help or have damaged or missing parts, call the **Customer Helpline:**  
**Argos = 0345 640 0800**