

## BATHROOM FLUSH LIGHT FIXING INSTRUCTIONS

Please read these instructions carefully prior to installation and retain them for future reference.

**THIS PRODUCT IS FOR INDOOR USE ONLY.**

**THIS PRODUCT CAN NOT BE USED FOR RECESSED MOUNTING. IT IS ONLY SUITABLE FOR CEILING MOUNTING.**

This product is only suitable for connection to a 230-240V~ 50Hz supply and in accordance with I.E.E. Wiring Regulations.

**If in doubt we recommend you consult a qualified electrician.**

### **IMPORTANT**

Our products should not be modified. If any modification is made it will invalidate the warranty and may render the product unsafe.

**Fuse value:** A light fitting should be connected to a lighting circuit protected by a 5-amp fuse, (or 6-amp circuit breaker). If a light fitting is to be connected to a ring main, a fused connection unit fitted with a 3-amp fuse should be installed.



This product is suitable for mounting onto a normally flammable surface .

### **SAFETY**

**Before commencing installation / maintenance, isolate the mains supply by switching off at the fuse box and removing the relevant fuse to prevent accidental switching on whilst work is in progress.**

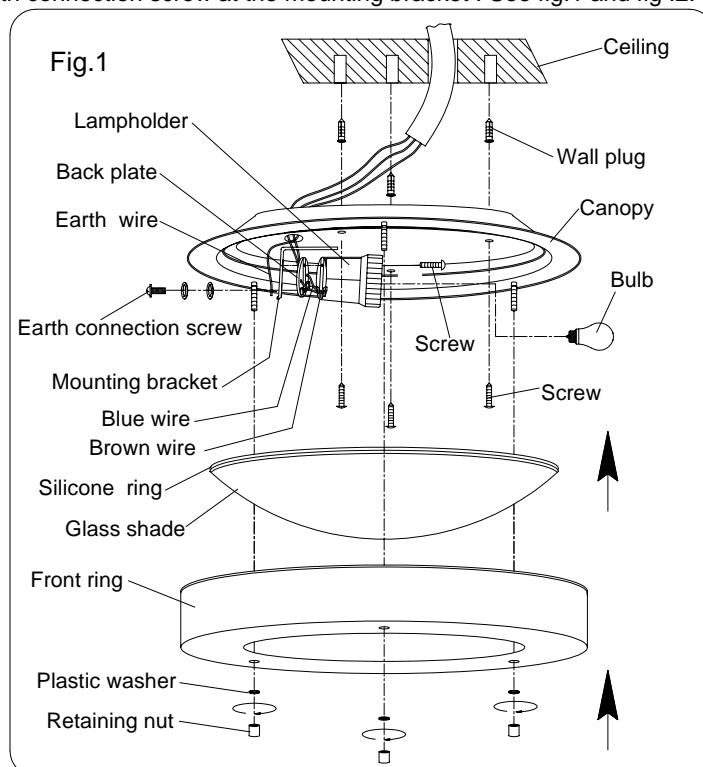
**Warning, This product contains glass parts, care must be taken when fitting or handling these parts to prevent personal injury, or damage to the product.**

**Shade and bulb can become hot in use, allow to cool prior to cleaning or maintenance.**

**THIS PRODUCT MUST BE INSTALLED IN ACCORDANCE WITH NATIONAL BUILDING REGULATIONS.**

### **INSTALLATION INSTRUCTIONS**

1. Please note: you may need assistance to support the unit while fixing it to the surface and connecting to the supply.
2. Remove the front ring , the glass shade with the silicone ring and the plastic washers from the fitting by unscrewing the three retaining nuts at the face of the front ring . See fig. 1.
3. Offer the canopy to the mounting surface and mark the position of the drill holes. Pre-drill these holes taking care not to foul any pipes or mains cables beneath the surface. See fig. 1.
4. Insert the wall plugs (supplied) into the holes. See fig.1.
5. Remove the lampholder and the back plate from the mounting bracket by unscrewing the retaining screw at the inside of the lampholder. See fig. 1.
6. Pass the cable through the rear of the canopy. See fig.1.
7. Insert the Heat Sleeving over all incoming cables. Ensure the Heat sleeving covers the cables from main cable insulator to lampholder contacts. See fig.1.
8. Strip back 7mm of insulator and pass the brown wire and the blue wire through the corresponding hole of the back plate , then connect the wires into the rear of the Lampholder by inserting the bare conductor cable into the corresponding hole and tightening the grub screws, See fig.1 and fig. 2 to ensure cables are in the correct terminals.
9. Connect the Earth to the Earth connection screw at the mounting bracket . See fig.1 and fig .2.



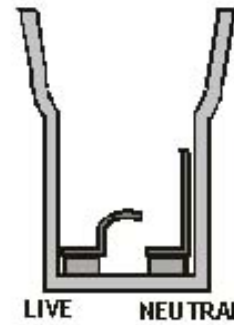
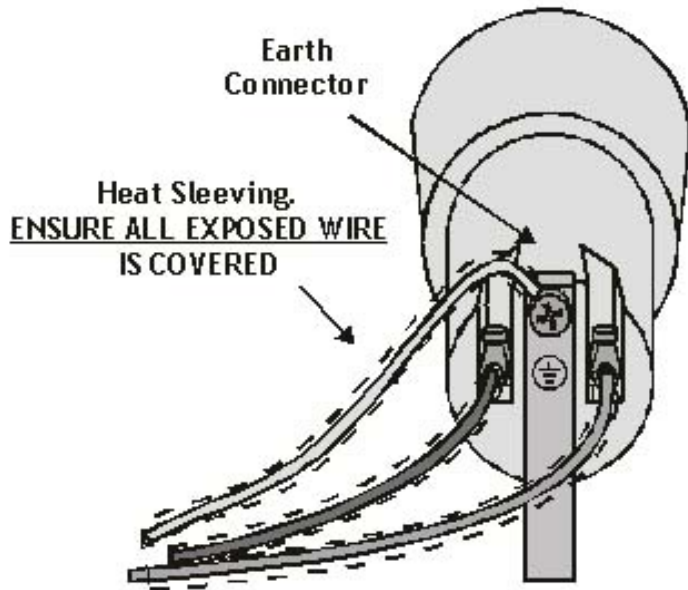
### **10. THIS PRODUCT MUST BE EARTHED.**

11. Ensure that no loose strands of conductor are left exposed or protrude from the terminals at the lampholder.

12. Fix the lampholder and the back plate to the mounting bracket by tightening the retaining screw at the inside of the lampholder. See fig.1.

13. Securely fasten the canopy onto the ceiling using suitable screws and wall plugs, (supplied), Ensure that you do not trap or strain any cables between the mounting surface and the canopy. See fig.1.

Fig.2



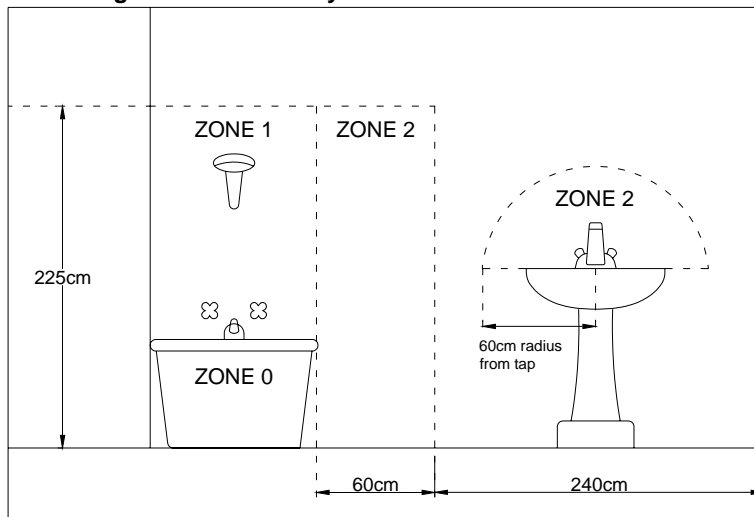
Note: If the Lampholder does not have any terminal markings you can identify which is Live and Neutral by looking inside the Lampholder. The Live wire should go to the central connector and the Neutral wire should go to the side connector.

In order to indication the terminal of the lampholder more clear, the back plate has not been shown in the fig.2.

14. Fit the bulb(not included): **Max 60W ES GLS Bulb.** See fig.1.  
 15. Place the shade with the silicone ring onto the canopy, then fix the front ring onto the canopy with the three plastic washers and the three retaining nuts. See fig.1. **Please note: DO NOT TIGHTEN THE THREE RETAINING NUTS TOO FIRMLY.**  
 16. Installation is now complete. Replace the circuit fuse and switch on at the mains to test.

### LOCATION OF INSTALLATION

This fitting is Rated **IP44**. This means the fitting can be installed in Bathroom Zones 2 and the outside of the Zones, not for Zones 0 or 1. Ceiling mounted use only.



Bathroom Zone Guide

Please note:  
 This is a guide for household use.  
 Please consult a qualified electrician for further assistance

### BULB REPLACEMENT

1. Switch off the mains power supply.
2. Before replacing the bulb, allow it to cool down for at least 10 minutes.
3. Never touch the bulb with your fingers directly, cover it with a cloth.
4. Remove the front ring, the glass shade and the plastic washers from the fitting by unscrewing the three retaining nuts.
5. Loosen the bulb and remove it from the lamp.
6. Replace a new bulb with same voltage and wattage.
7. Replace the glass shade with silicone ring, the front ring, the three plastic washer and the three retaining nuts.



Model No. :GYFU2066

Input Voltage: 230-240V~50Hz

Max. Wattage: 60W

Bulb: Max. 60W ES GLS bulb.

Argos Limited, Avebury, 489-499 Avebury Boulevard, Saxon Gate West, Central Milton Keynes, MK9 2NW

16/5/08