

MANHATTAN CLEAR SAT NICKEL RC CEILING FAN
432/5114(D)

ASSEMBLY & FITTING INSTRUCTIONS

IMPORTANT

Please read these instructions carefully before attempting to install this ceiling fan. It is also advisable to keep these instructions in a safe place for future reference. Before installing and using this ceiling fan, read the list of Do and Don'ts below.

CAUTION

Do not use the ceiling fan and open gas heating appliances in the same room at the same time. It is important that the correct electrical connections are made and that the mounting plate is fitted to an adequate ceiling support. Ceiling fans are heavy, so it is important that they should be suspended securely. If in any doubt about the installation of this product consult a qualified electrician.

This product must be installed in accordance with national building regulations.

LOCATION

When deciding on the location for your ceiling fan make sure that there will be plenty of room for the rotation of the fan blades and that no obstacles are likely to get in their way. The distance between the fan blades and the floor should be at least 2.3m (7½ft).

TOOLS AND MATERIALS REQUIRED

Crosshead and slotted screw drivers
 1xMax.40w E14 bulb(NOT INCLUDED)
 Step ladder
 Insulating tape

UNPACKING

Remove the upper polystyrene cover from the box. Take the motor out of the box and place it on the polystyrene cover, or on a soft padded surface to protect it during the installation procedure. Keep all packing material for future protection in transit.

UNINSTALLING THE MOUNTING PLATE

1. Unscrew the four screws on the ceiling canopy to release the mounting plate (Figure 1). Secure the mounting plate to a ceiling joist, or an equally secure ceiling structure using the two wood fixing screws and washers supplied. The support for the mounting plate must be capable of safely and securely holding the moving weight of the fan. Note that additional strengthening of the joist might be necessary.
2. For best fan performance and safety, make sure the mounting plate is fitted to a level ceiling joist or ceiling support. If the mounting position is not level, hard packing material should be used to make the plate level.

INSTALLING THE FAN

1. Hang the ball joint and the fan onto the bracket. Make sure the guided portion of bracket is fitted into slot of ball joint. (Figure 2) With the fan suspended in this manner, you can now make the appropriate electrical connections. See the CONNECTION TO THE LIGHT CIRCUIT section.
2. Insert the remote control receiver between the bracket and the downrod. And the sensor as shown. (Figure 2)
3. Fix canopy onto the bracket by tightening the screws. (Figure 4)

CONNECTION TO THE LIGHT CIRCUIT

Ensure electricity is switched off at the mains before installing or maintaining this fitting. Any switches connected to the ceiling fan must conform to the necessary British Standards. If you are not sure how to wire the ceiling fan consult a qualified electrician. For the basic means of wiring the ceiling fan (model 1 above) use the following procedure (Figure 3)
 Blue or black (Neutral) to the terminal marked N
 Brown or Red (Live) to the terminal marked L
 Green/Yellow or Green (Earth) to the terminal marked ⊕

Ensure that earth terminal of the canopy is securely connected to the earth pole of the terminal block.

Ensure that all electrical connections are tight and that no loose strands are left out of the terminal block. Cover the terminal block with insulation tape.

Warning : If there are only two wires in your existing mains wiring, this means that there is no Earth. Under no circumstance should you wire up this fitting without using an Earth connection. Ask a qualified electrician to provide an Earth facility. The installation must be provided with a double pole switch.

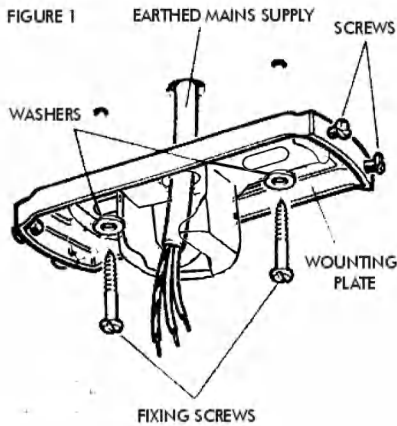


FIGURE 2

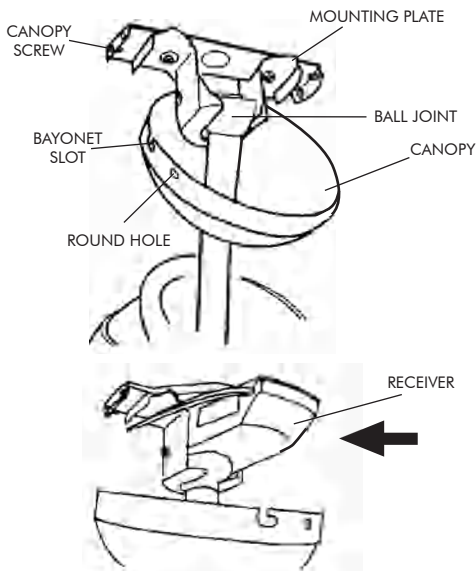


FIGURE 3

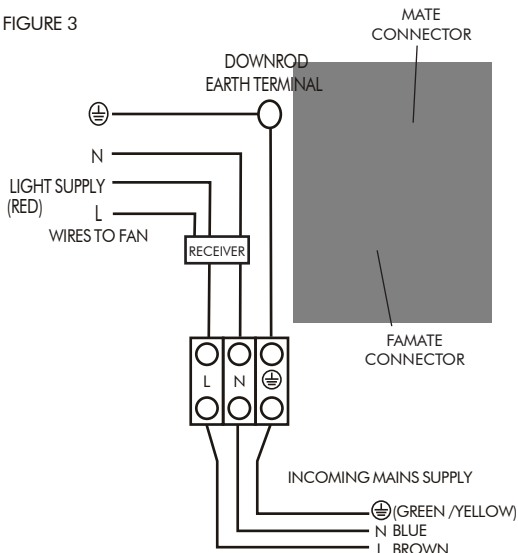
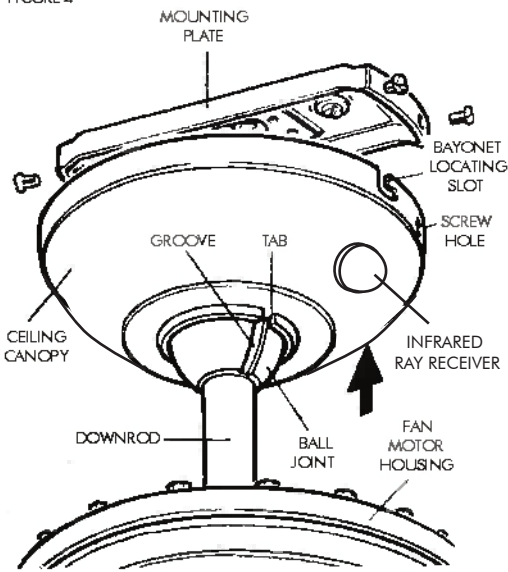


FIGURE 4



ASSEMBLY OF THE FAN BLADES AND LAMP HOLDER

1. Install the fan blades sets onto motor by tightening the hexagonal screws and spring washers.
2. Secure the lamp holder onto the lamp holder bracket by tightening the 3 set screws.
(CAUTION: Make sure the set screws are fitted properly into the key slots.) (Figure 5)
Attention: Ensure the star washers to be secured tightly to lamp gallery bracket with set screws.

REMOTE CONTROL

- Use the remote control transmitter to change the speed of the fan and to switch the light and fan on or off.
- Replace the batteries by sliding the battery compartment cover on the remote control transmitter in the direction of the arrow, fit 2*AAA batteries, ensure the polarity of the batteries match with the figures shown in the battery compartment. (Note: Batteries NOT include). Reassemble the battery compartment cover.
- Always ensure the battery compartment cover is closed properly.
- Don'ts expose the remote control to direct sunlight
- Don'ts attempt to recharge expired batteries. There are special rechargeable batteries, which are clearly marked with.
- Don'ts dispose of batteries in fire to avoid explosion.

REVERSE CONTROL

The fan must be switched off before this slide switch, located on the side of the switch housing is operated.

- Switch upwards for REVERSE winter operation.
- Switch downwards for FORWARD summer operation.

FITTING THE LIGHT

1. Insert 40W E14 bulb (not supplied) into the lampholders. Do not use a higher wattage bulb.
2. Install the lamp shade onto the lamp holder by rotating the lamp shade clockwise.
3. The light is switched on and off by the use of remote control. (Figure 6).

CLEANING

Wipe with a soft dry cloth or use a soft brush to remove dust. Care should be taken that no water or moisture gets into the ceiling fan. Do not use water to clean the ceiling fan. Do not use metal polish or abrasive cleaning materials on any part. A small amount of furniture polish can be used to clean the fan blades. When cleaning the fan blades do not apply too much pressure on them. It is recommended that you support the ends of the blades when you clean them.

TROUBLE SHOOTING

Fan will not start

CAUTION: Make sure mains power is switched off before you carry out these checks.

1. Check the main and branch circuit fuses or contact breakers.
2. Check power supply wires to the fan are secure.
3. Check reverse switch is firmly in the up or down position.

Fan sounds noisy

Allow a break-in period of 24 hours. Most noise associated with a new fan will disappear after this period.

1. Check to make sure all screws to the fan motor housing are secure but not overtight.
2. Check mounting plate screws are tight and securely fitted to ceiling joist or ceiling support.
3. Check that the screws which attach the blade holder arms are tight.
4. Make sure the screws securing the lamp shade are finger tight. Check that the lamp is properly fitted to the lampholder.

5. A dimmer switch should not be fitted to this ceiling fan. If this ceiling fan is connected to a dimmer switch it will make noises when the fan light is switched off. Remove the dimmer switch.
Fan wobbles or shakes excessively.

Please note that a small amount of wobble is natural and should not be considered a problem.

All blades are weighed and grouped by weight. Natural wood varies in density which could cause the fan to wobble even though all blades are weight matched. The following procedure should eliminate most of the wobble. Check for wobble after each step.

1. Check that fan blades are screwed firmly into the blade holder arms.
2. Check that all blade holder arms are tightened securely to the fan housing.
3. Most fan wobble problems are caused when blade tracking levels are unequal. Blade tracking may be checked simply by use of a length of timber. Place the timber vertically against the ceiling and even with the outside leading edge of the blade. Mark the distance from the edge of the blade to the ceiling. Turn the blades slowly by hand to check the remaining blades. If a blade is not in alignment, the blade holder arm may be gently bent up or down to be in-line with the other blades. Allow the fan to operate for ten minutes to check if this problem has been solved.
4. Make sure the mounting plate is securely fixed to the ceiling joist.
5. Check that the ball joint engages with the groove on the ceiling canopy.

FIGURE 5

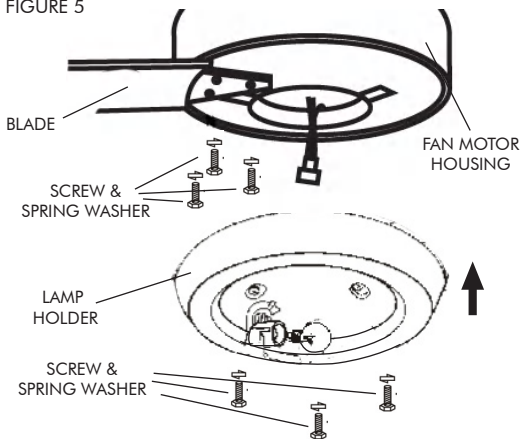
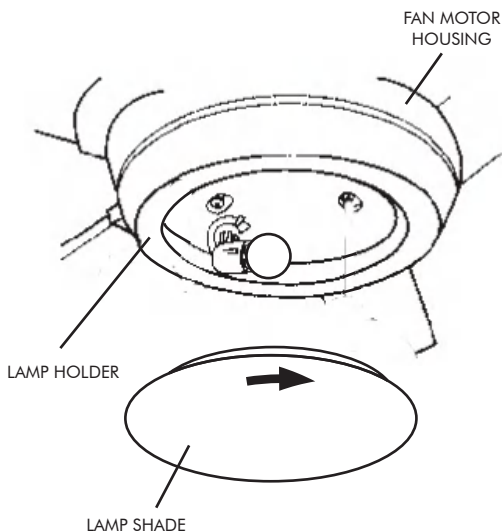


FIGURE 6



DO

- Do ensure that the ceiling joist or ceiling support will hold the moving weight of the ceiling fan.
- Do ensure that all electrical connections are in accordance with relevant safety and government regulations.
- Do use or consult a qualified electrician if you are uncertain about wiring this ceiling fan.
- Do use a qualified electrician for installation to a concrete ceiling.
- Do switch off the fan before using the reverse switch.

DON' T

- Don't use the ceiling fan and open gas heating appliances in the same room at the time, otherwise harmful gases might be circulated.
- Don't fit in rooms where the distance between floor and blades is less than 2.3m (7½ft). Allow at least 500mm between the blade tip and any wall or furnishings.
- Don't fit in bathrooms or areas where the fan might become wet.
- Don't insert anything into the fan blades when they are rotating.
- Don't use a dimmer switch with this ceiling fan. This could damage the dimmer and the fan.
- Don't use this fan with any speed control device as it could be a fire risk.
- Don't use the ceiling fan for any other purpose than described in this instruction sheet.
- Don't modify or alter the ceiling fan.

IF IN ANY DOUBT CONSULT A QUALIFIED ELECTRICIAN

SPECIFICATIONS

Fan 55W Light fitting 1x40W. Total 95W. 230V~50Hz.
Specification subject to change without prior notice.

REPAIRS

Do not attempt to repair this unit yourself. Repairs can only be made by qualified service personnel. Repairs by unqualified persons will invalidate the guarantee, and may result in accident or injury.

CEILING FAN CONTENTS LIST

Ceiling mounting plate	1	Screws and washers for fitting blade to fan body	--
Mounting plate fixing screws & washers	2	Screws, washers and nuts for fitting blades to blade holders	--
Canopy mounting screws, spring washers & star spring washers	4	Lamp shade	1
Switch housing	1	Lamp shade securing screws	3
Mounting bracket screws & lock washers	--	Pull chain for speed control with wooden knob	--
Ceiling canopy	1	Pull chain for light control with wooden knob	--
Fan body (motor & switch housing) with optional downrod	1	Remote control	1
Fan body (motor & switch housing) with no downrod	5	Lamp holder	1
Reversible fan blades	--		
Fan blade holder arms	--		



WASTE ELECTRICAL PRODUCTS SHOULD NOT BE DISPOSED OF WITH HOUSEHOLD WASTE. PLEASE RECYCLE WHERE FACILITIES EXIST. CHECK WITH YOUR LOCAL AUTHORITY FOR RECYCLING ADVICE.

ARGOS MK9 2NW
432/5114(D)