



Philips
Headphones

32mm drivers/closed-back
On-ear



SHL3160BK

Dynamic and solid bass

DJ style monitoring headphones

This DJ inspired headphone provides you powerful sound and bass. Designed with rotating and soft cushioned earshells, you will get a perfect listening experience on the go.

Perfect listening experience

- 32mm speaker drivers for powerful and dynamic sound
- Closed type acoustics provide good sound isolation

Comfortable for long use

- Adjustable earshells and headband adapts to fit your head
- Soft breathable ear cushions for long listening sessions

Convenience

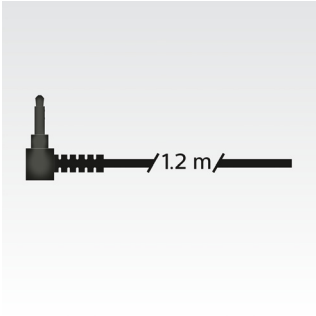
- 1.2m cable for freedom of music enjoyment on the go
- compact, fold flat design for easy storage on the go

PHILIPS

Headphones
32mm drivers/closed-back On-ear

Highlights

1.2m long cable



1.2m cable for freedom of music enjoyment on the go

32mm speaker driver



32mm high-powered drivers deliver clear, detailed and natural sound.

Adjustable earshells, headband



Adjustable earshells and headband adapts to fit your head

Closed type acoustic



Closed type acoustics provide good sound isolation, blocking out ambient noise

Compact and fold flat

Made to give you the best experience on the go, these DJ monitoring style headphones can be folded away for perfect portability and easy storage.

Soft ear cushions



Soft breathable ear cushions for long listening sessions

SHL3160BK/00

Specifications

Sound

- Acoustic system: closed
- Frequency response: 8 - 24,000 Hz
- Impedance: 24 Ohm
- Magnet type: Neodymium
- Maximum power input: 1500 mW
- Sensitivity: 107 dB
- Speaker diameter: 32 mm
- Diaphragm: PET

Connectivity

- Cable length: 1.2 m
- Cable Connection: two-sided
- Connector: 3.5 mm

Packaging dimensions

- EAN: 69 23410 73240 5
- Packaging dimensions (W x H x D): 19.5 x 22 x 5.5 cm
- Packaging dimensions (W x H x D): 7.7 x 8.7 x 2.2 inch
- Gross weight: 0.23 kg
- Gross weight: 0.507 lb
- Nett weight: 0.138 kg
- Nett weight: 0.304 lb
- Number of products included: 1
- Packaging type: Carton
- Tare weight: 0.092 kg
- Tare weight: 0.203 lb
- Type of shelf placement: Both

Outer Carton

- Gross weight: 3.748 lb
- Gross weight: 1.7 kg
- GTIN: 1 69 23410 73240 2
- Outer carton (L x W x H): 35 x 21 x 23.5 cm
- Outer carton (L x W x H): 13.8 x 8.3 x 9.3 inch
- Nett weight: 1.825 lb
- Nett weight: 0.828 kg
- Number of consumer packagings: 6
- Tare weight: 1.922 lb
- Tare weight: 0.872 kg

Product dimensions

- Product dimensions (W x H x D): 5.9 x 7.3 x 1.7 inch
- Product dimensions (W x H x D): 15 x 18.5 x 4.2 cm
- Weight: 0.138 kg
- Weight: 0.304 lb



Issue date 2015-03-24

Version: 1.5.4

12 NC: 8670 001 17583
EAN: 69 23410 73240 5

© 2015 Koninklijke Philips N.V.
All Rights reserved.

Specifications are subject to change without notice.
Trademarks are the property of Koninklijke Philips N.V.
or their respective owners.

www.philips.com