

Radius 2 Door Wardrobe

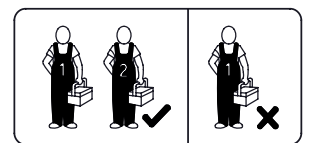
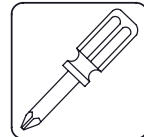
Assembly Instructions – Please keep for future reference

RADI-2W-SS15-A

Dimensions

Width - 124cm
Depth - 58cm
Height - 200cm

Tools required



Important – Please read these instructions before assembly

If you need help or have damaged or missing parts, email:
customerservices@habitat.co.uk or call: 0344 499 4686

habitat 



Safety and Care Advice

Important – Please read these instructions fully before starting assembly

Check you have all the components and tools listed on the front cover and pages 2 - 3.

Remove all fittings from the plastic bags and separate them into their groups.

Keep children and animals away from the work area, small parts could choke if swallowed.

Make sure you have enough space to layout the parts before starting.

Do not stand or put weight on the product, this could cause damage.

Assemble the item as close to its final position (in the same room) as possible.

Do not place furniture directly in front of radiators, fires or any other source of heat.



Parts of the assembly will be easier with 2 people.

Assemble on a soft level surface to avoid damaging the unit or your floor.



We do not recommend the use of power drill/ drivers **for inserting screws**, as this could damage the unit. Only use hand screwdrivers.

Dispose of all packaging carefully and responsibly.

General care and maintenance

Dust regularly with a clean dry cloth.

Wipe up any spills immediately with a damp cloth and then dry the surface with a clean dry duster.

Repeat this procedure for periodic cleaning.

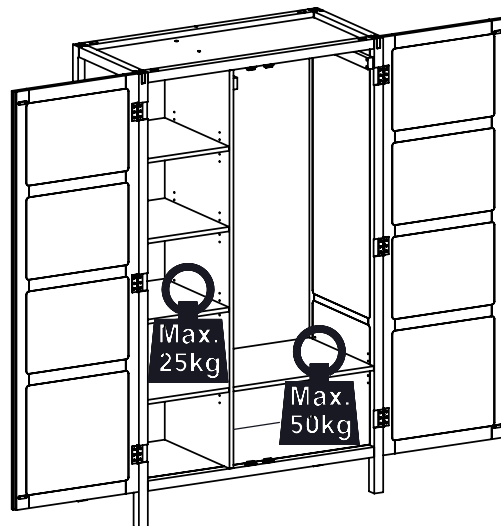
The use of furniture polish or spray is not necessary or recommended.

From time to time check that there are no loose screws on this unit.

This product should not be discarded with household waste. Take to your local authority waste disposal centre.

Maximum weight limit

Important:
max load for shelf is shown below.



General information

If for any reason you should have problems with your Habitat product, please contact the store from which you purchased it.

Please retain your receipt as proof of purchase.

If you have any comment or suggestions regarding this product, assembly instructions or service.

Received, please contact the store or Habitat Head Office via its web site: www.habitat.co.uk

or write directly to:
Habitat Retail Ltd.
489-499 Avebury Boulevard,
Milton Keynes MK9 2NW

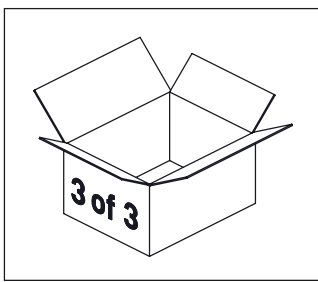
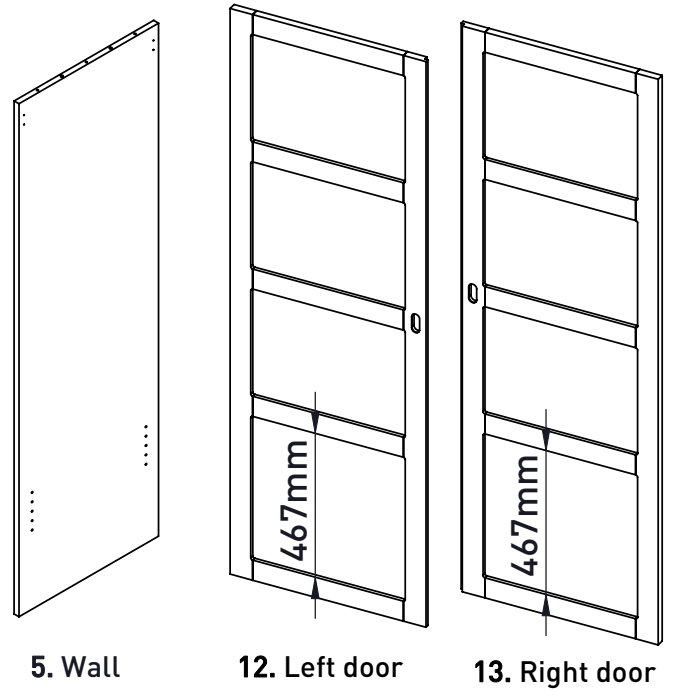
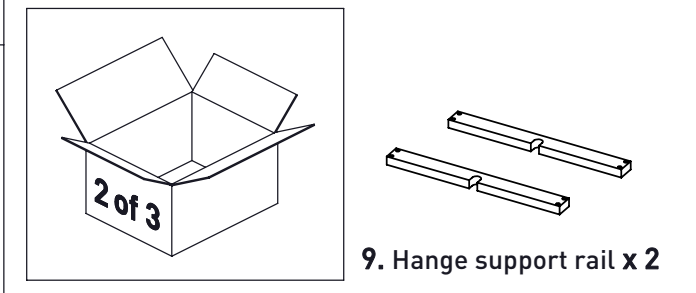
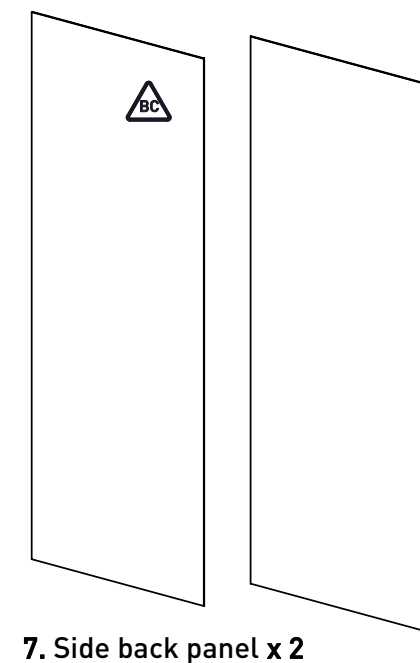
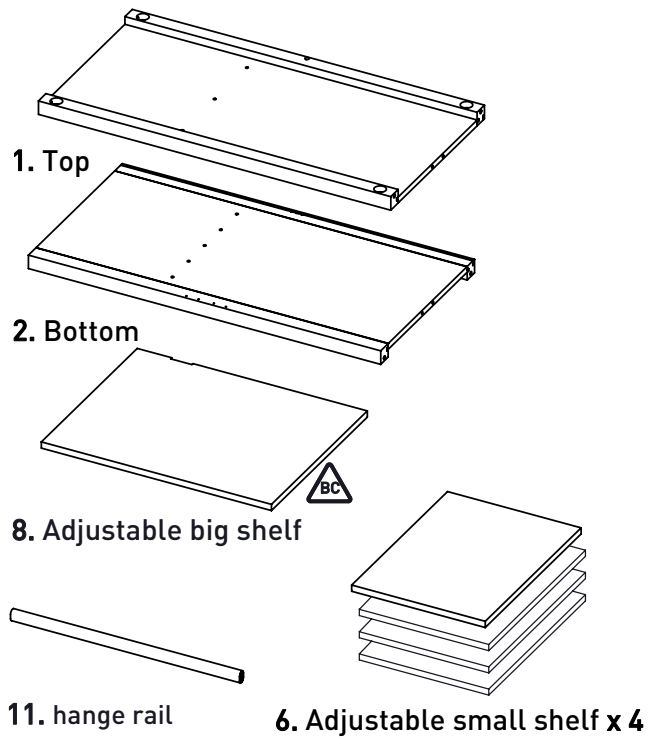
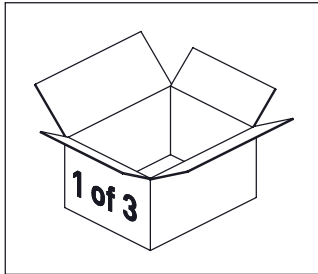
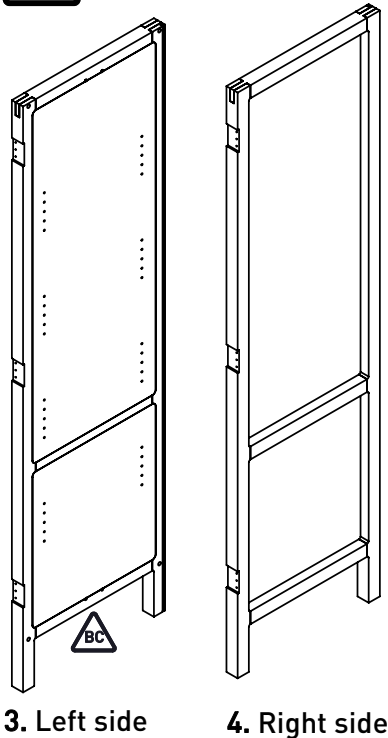
Components - Panels

If you need help or have damaged or missing parts, email: customerservices@habitat.co.uk or call: 0344 499 4686

Please check you have all the panels listed below



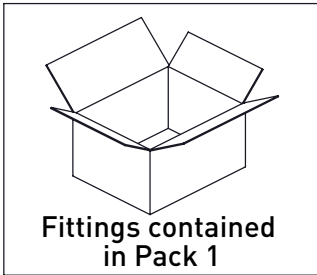
Note: There are 'Batch Code' labels where shown on the indicated items, these should be retained.



Components - Fittings

If you need help or have damaged or missing parts, email: customerservices@habitat.co.uk or call: 0344 499 4686

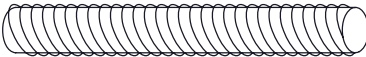

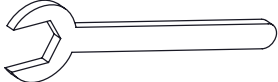




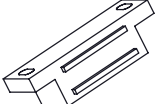



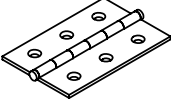


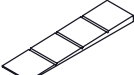

Please check you have all the fixings listed below



Note: The quantities below are the correct amount to complete the assembly. In some cases more fittings may be supplied than are required.

Ruler - To help correctly identify the fixings



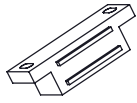
<p>A </p> <p>M8x65mm Metal bolts x 8</p>	<p>D </p> <p>M8mm Metal nuts x 8</p>	<p>E </p> <p>Spanner x 1</p>
<p>F </p> <p>Ø4x20mm Screws x 14</p>	<p>G </p> <p>M8mm Moon nuts x 8</p>	<p>H </p> <p>Ø8x30mm Wooden dowels x 16</p>
<p>L </p> <p>Ø3.5x15mm Screws x 44</p>	<p>M </p> <p>Magnetic catches x 4</p>	<p>N </p> <p>Magnetic catch plates x 4</p>
<p>P </p> <p>Shelf supports x 20</p>	<p>Q </p> <p>Ø3.5x30mm Screws x 8</p>	<p>V </p> <p>Hinges x 6</p>
<p>W </p> <p>Ø7x50mm Screws x 8</p>	<p>X </p> <p>4mm Allen key x 1</p>	<p>& </p> <p>Wedge x 1</p>
<p>R </p> <p>Wall strap fitting x 1</p>		

Assembly Instructions

Step 1



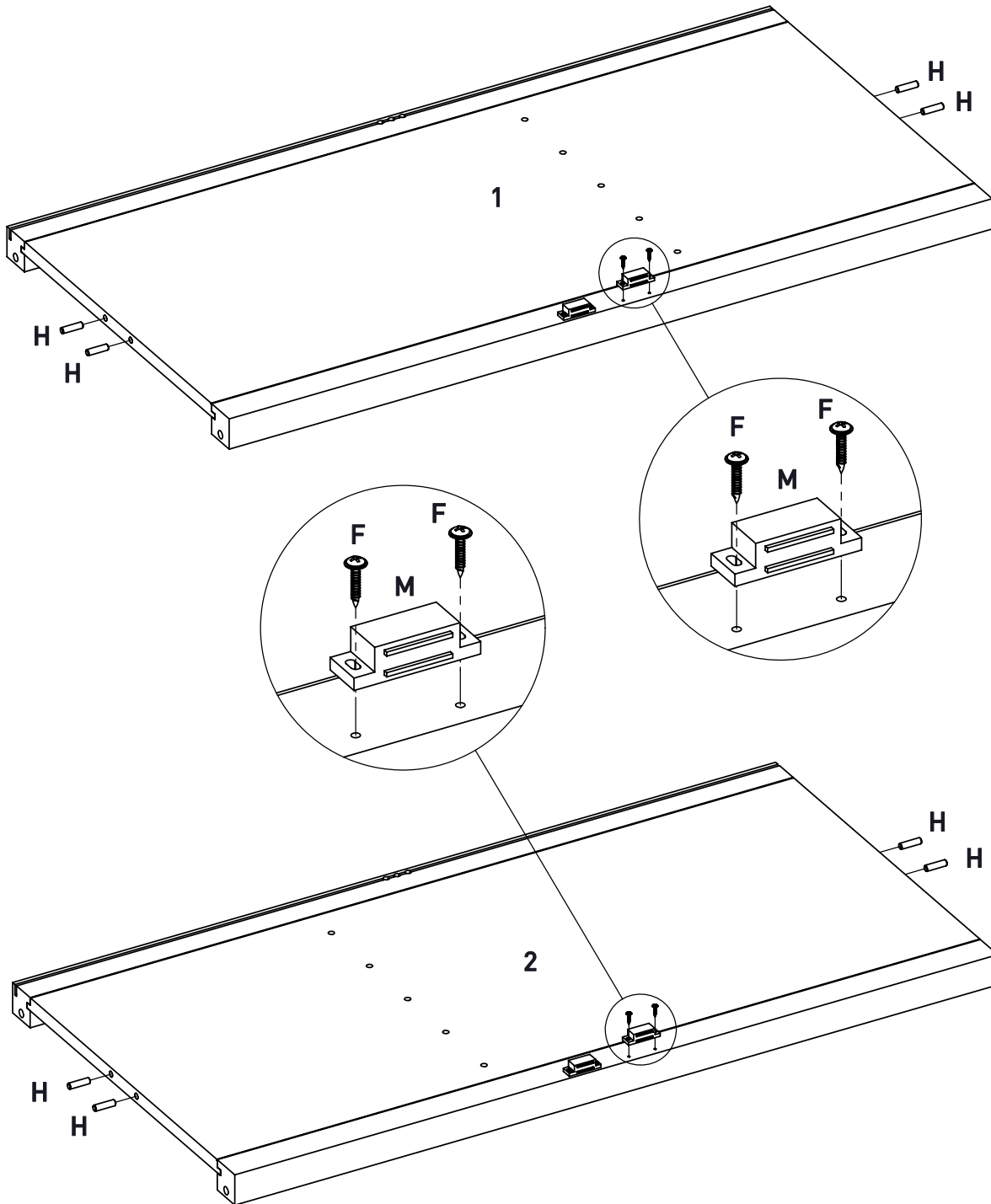
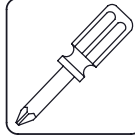
H x 8



M x 4



F x 8



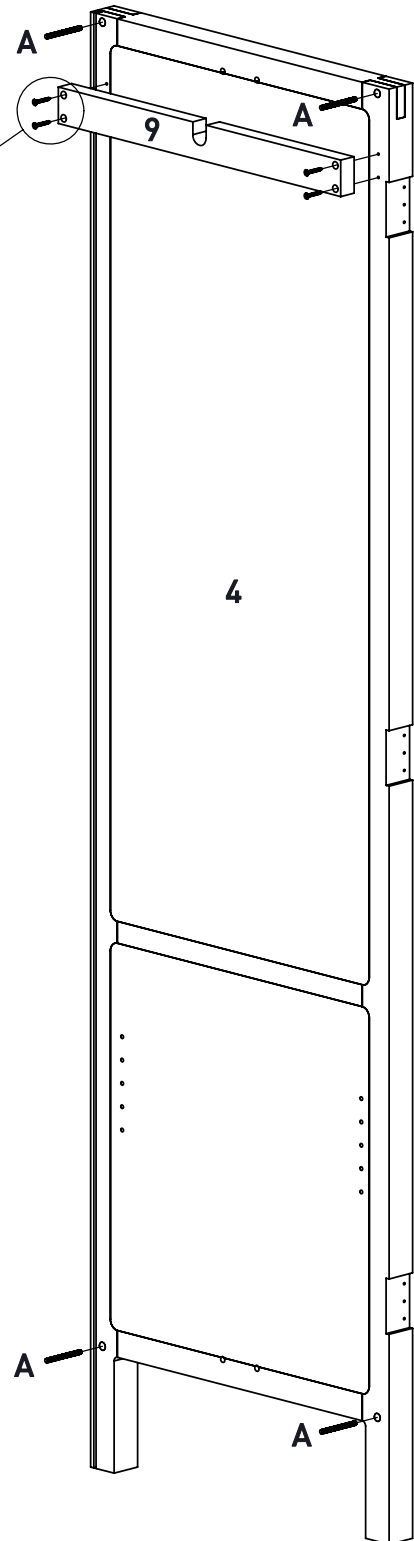
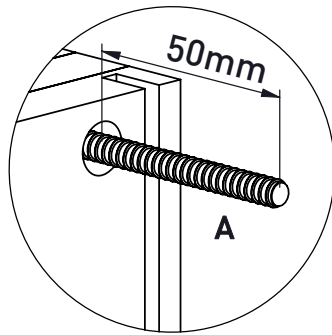
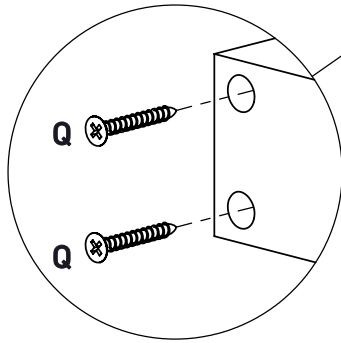
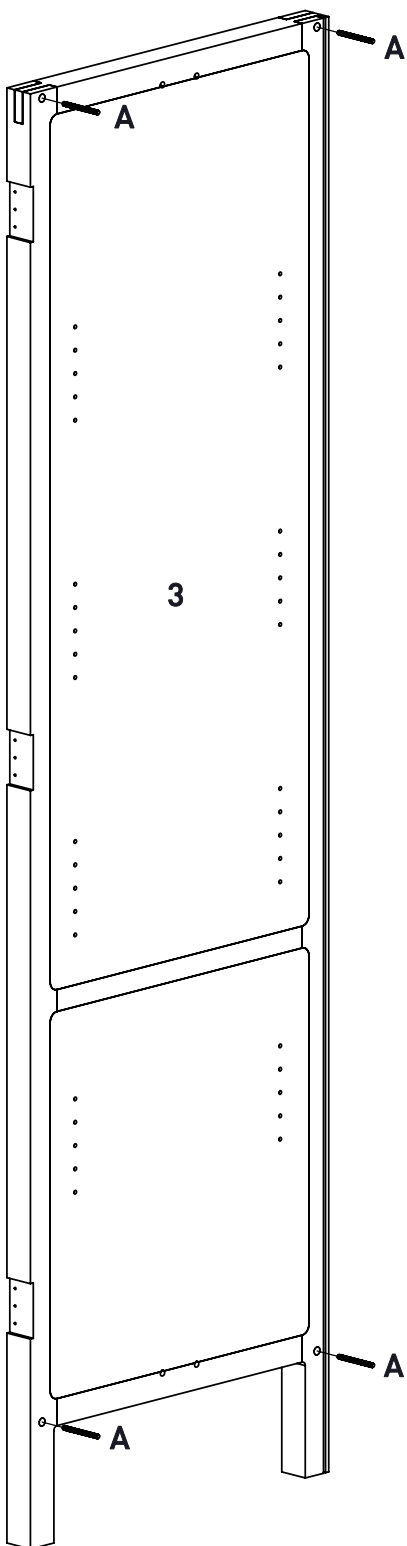
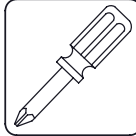
Step 2



A x 8



Q x 4



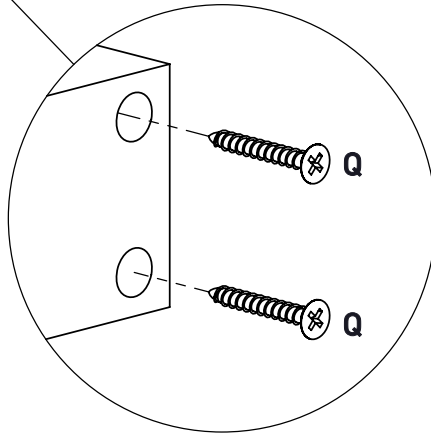
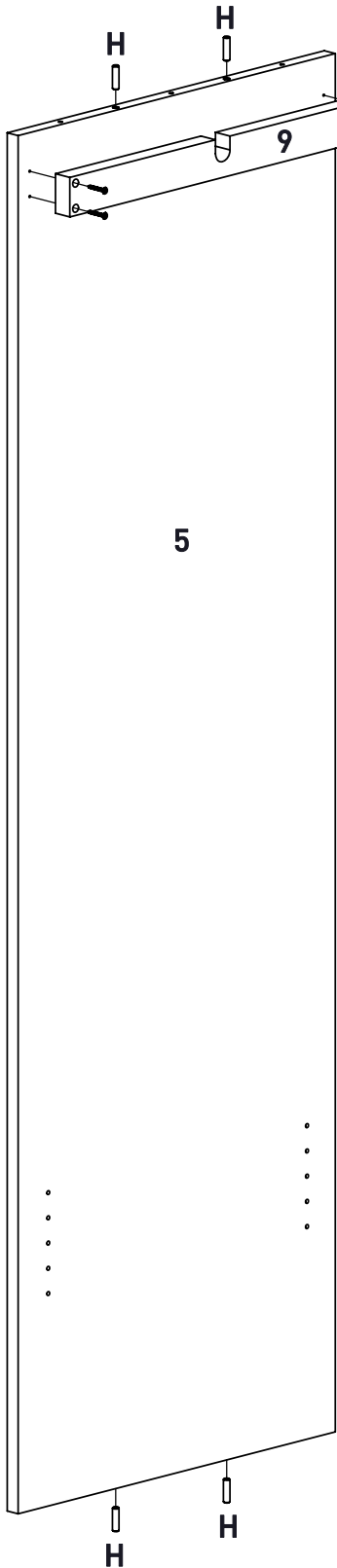
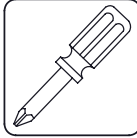
Step 3



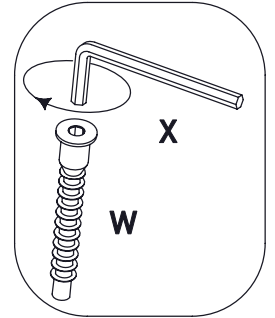
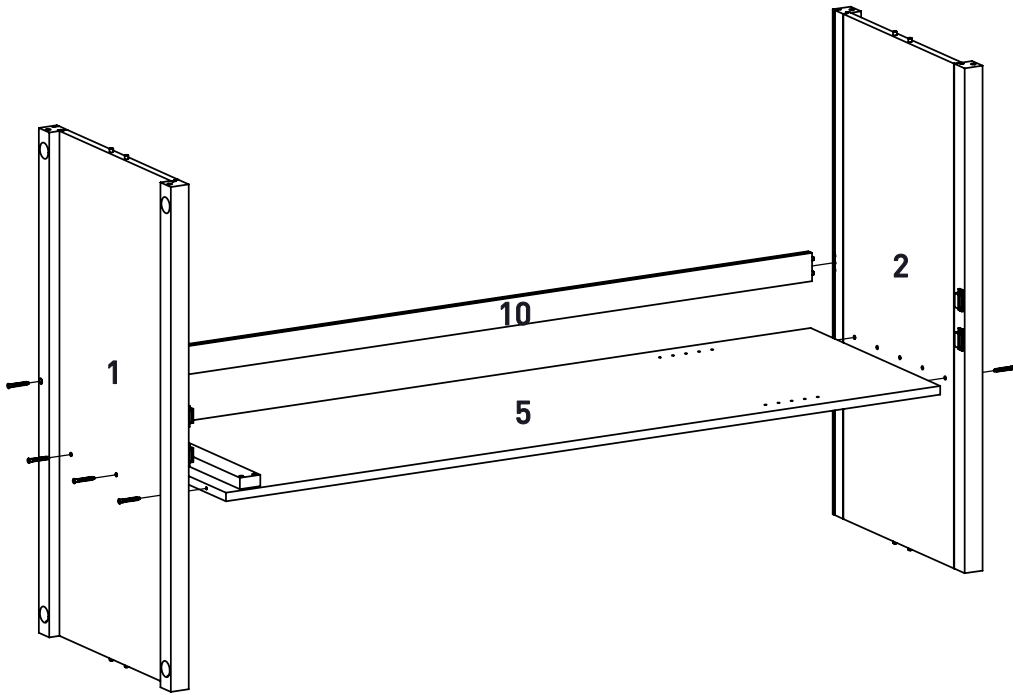
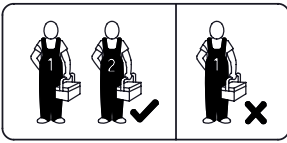
H x 8



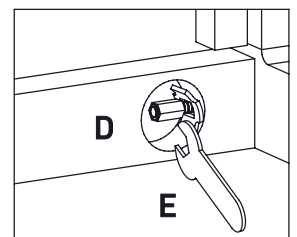
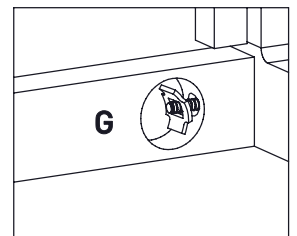
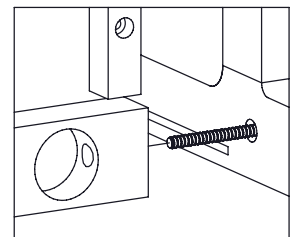
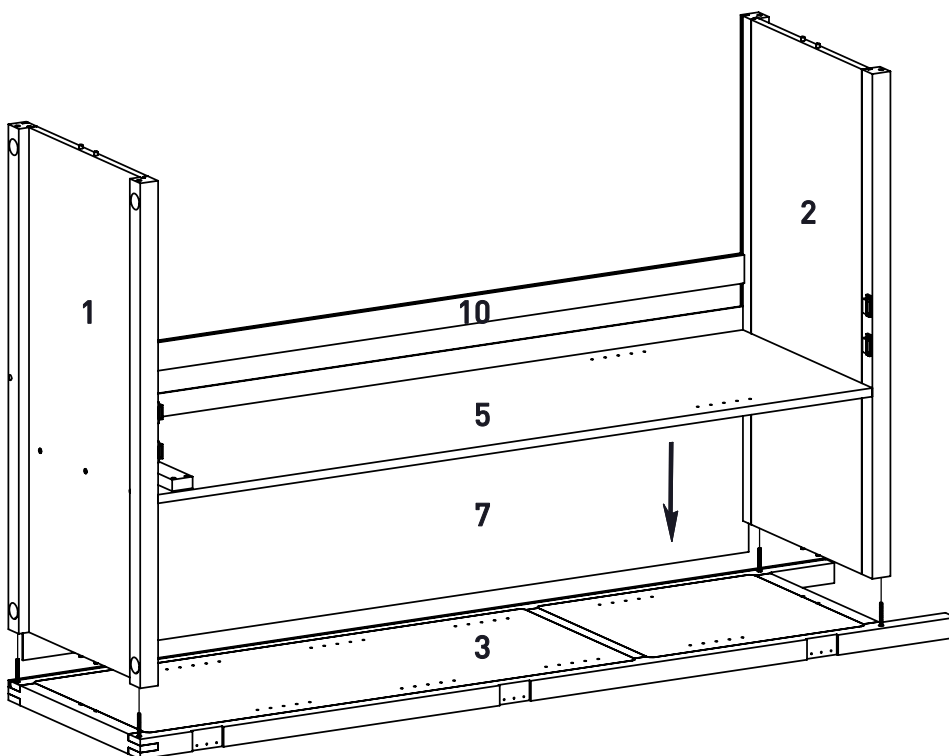
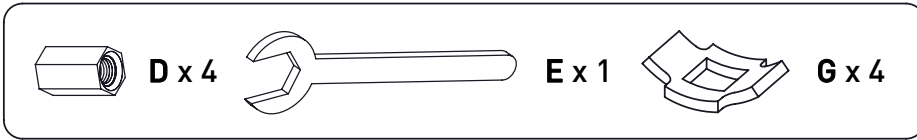
Q x 4



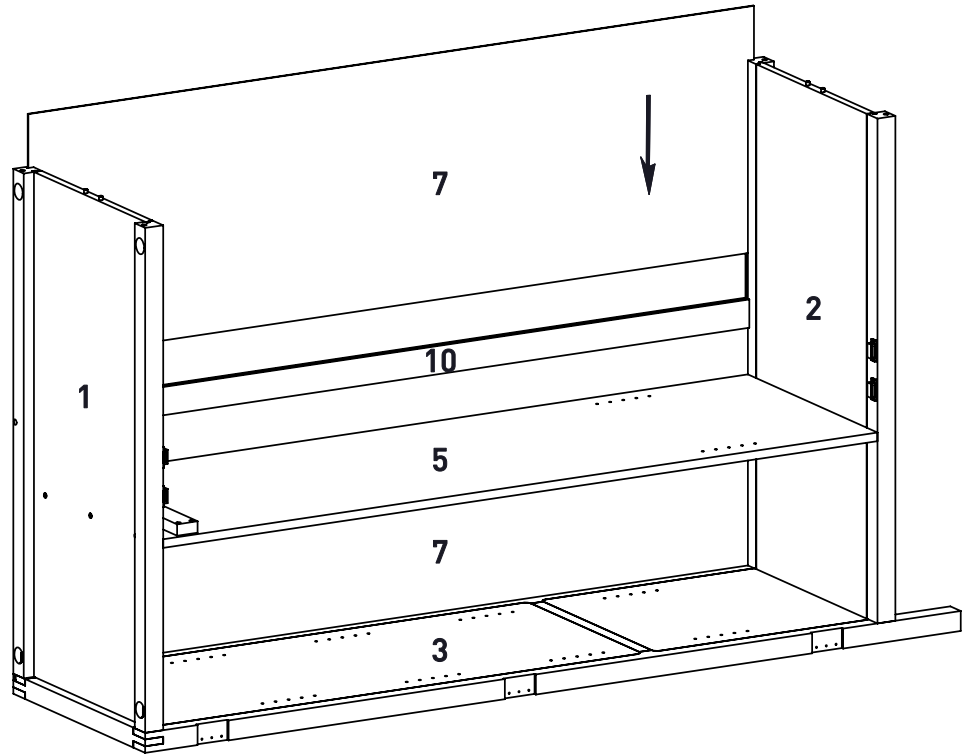
Step 4



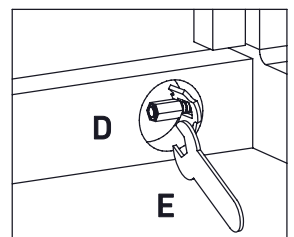
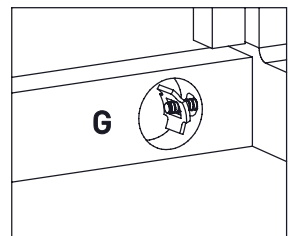
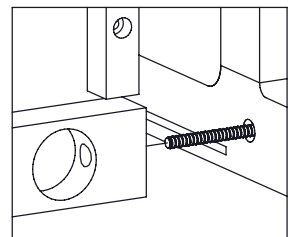
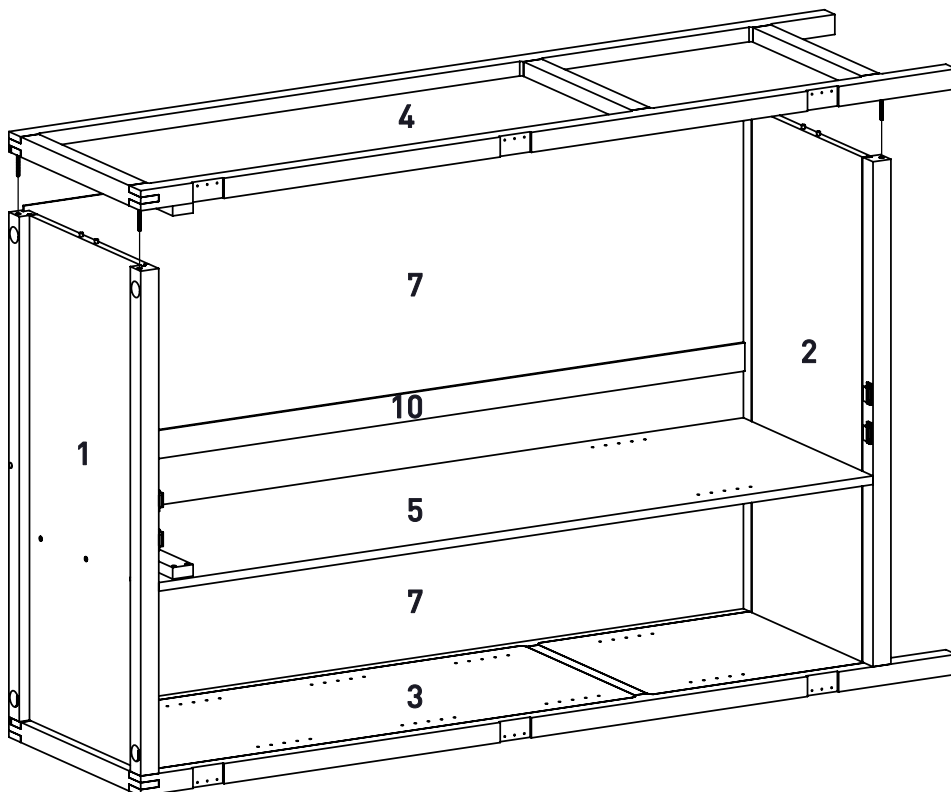
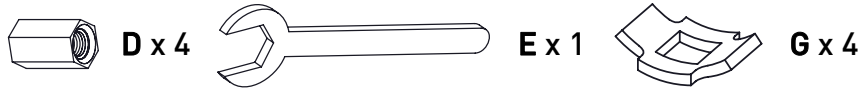
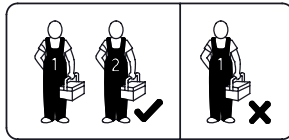
Step 5



Step 6

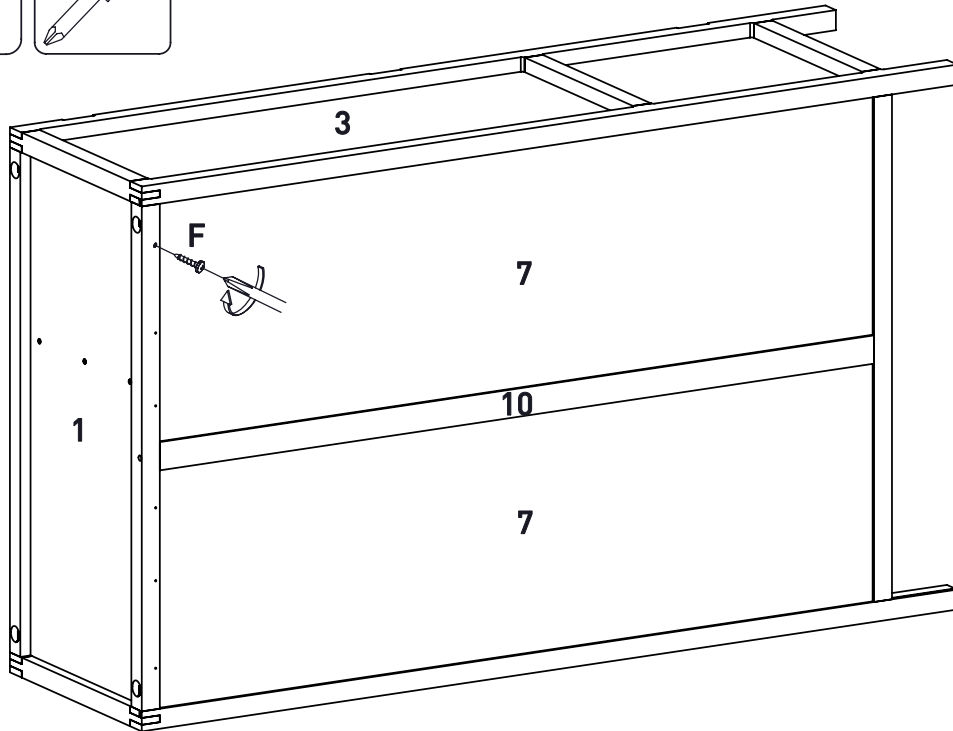


Step 7

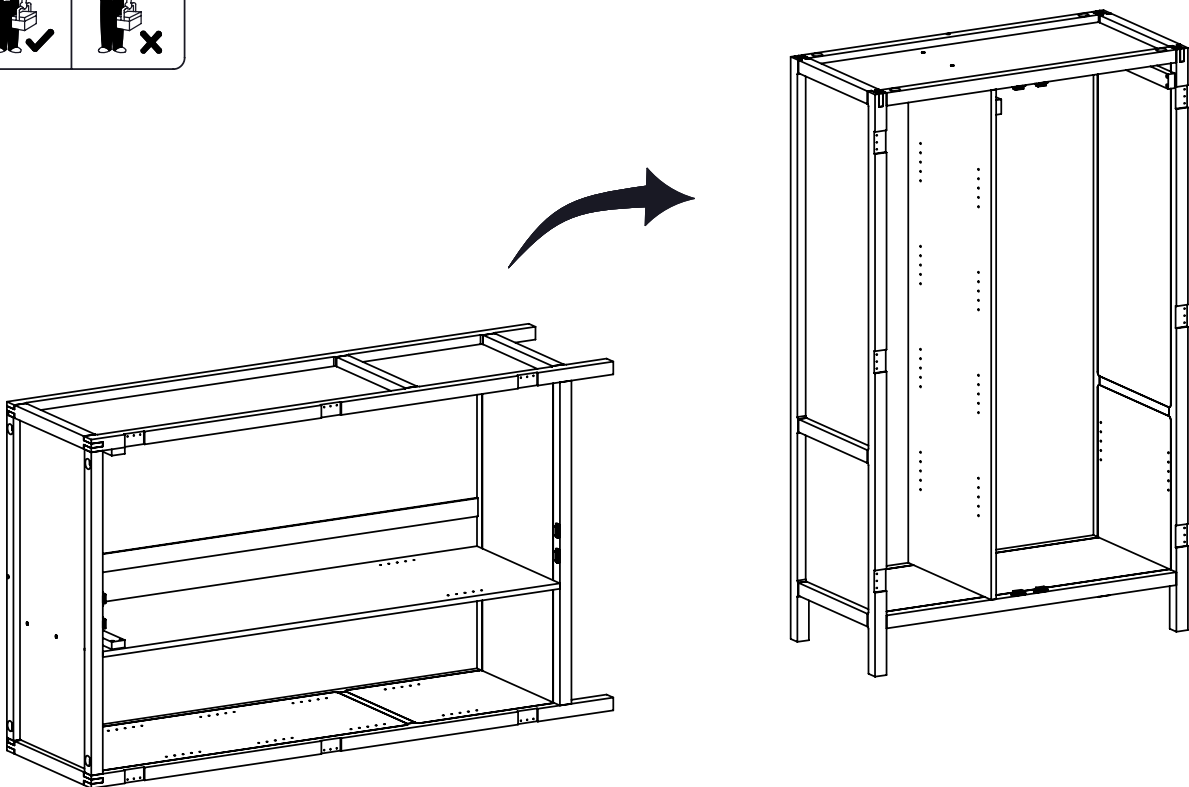


Step 8

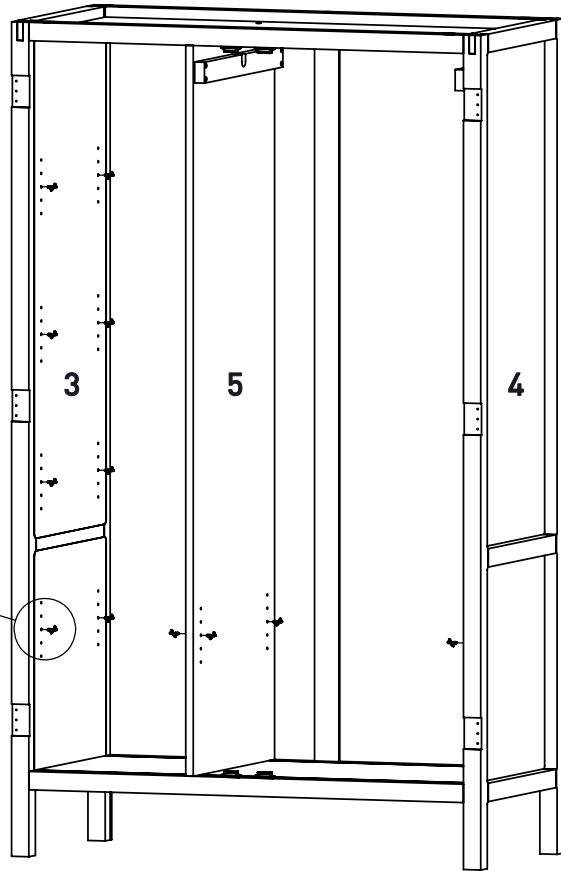
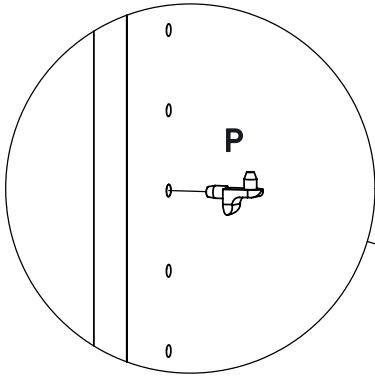
F x 6



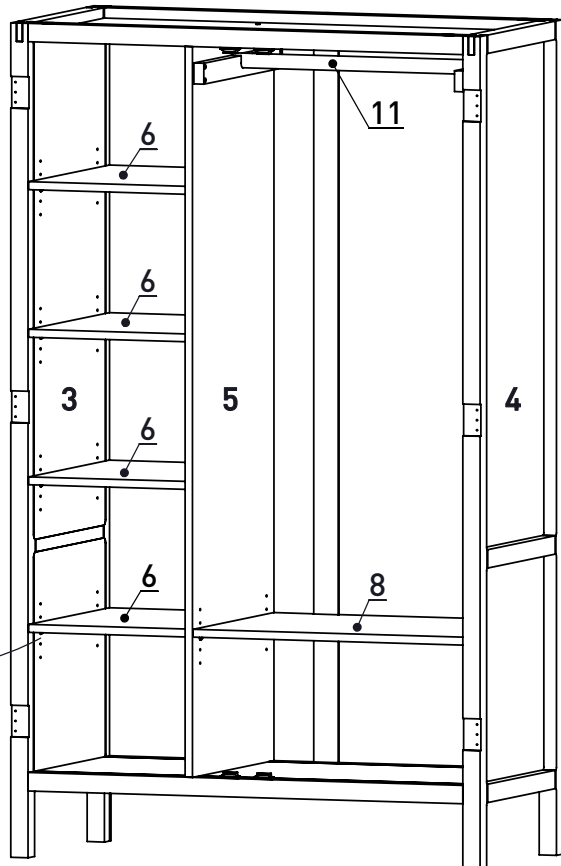
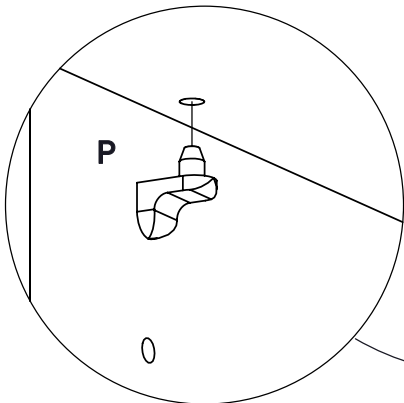
Step 9



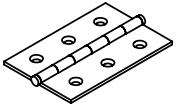
Step 10



Step 11



Step 12



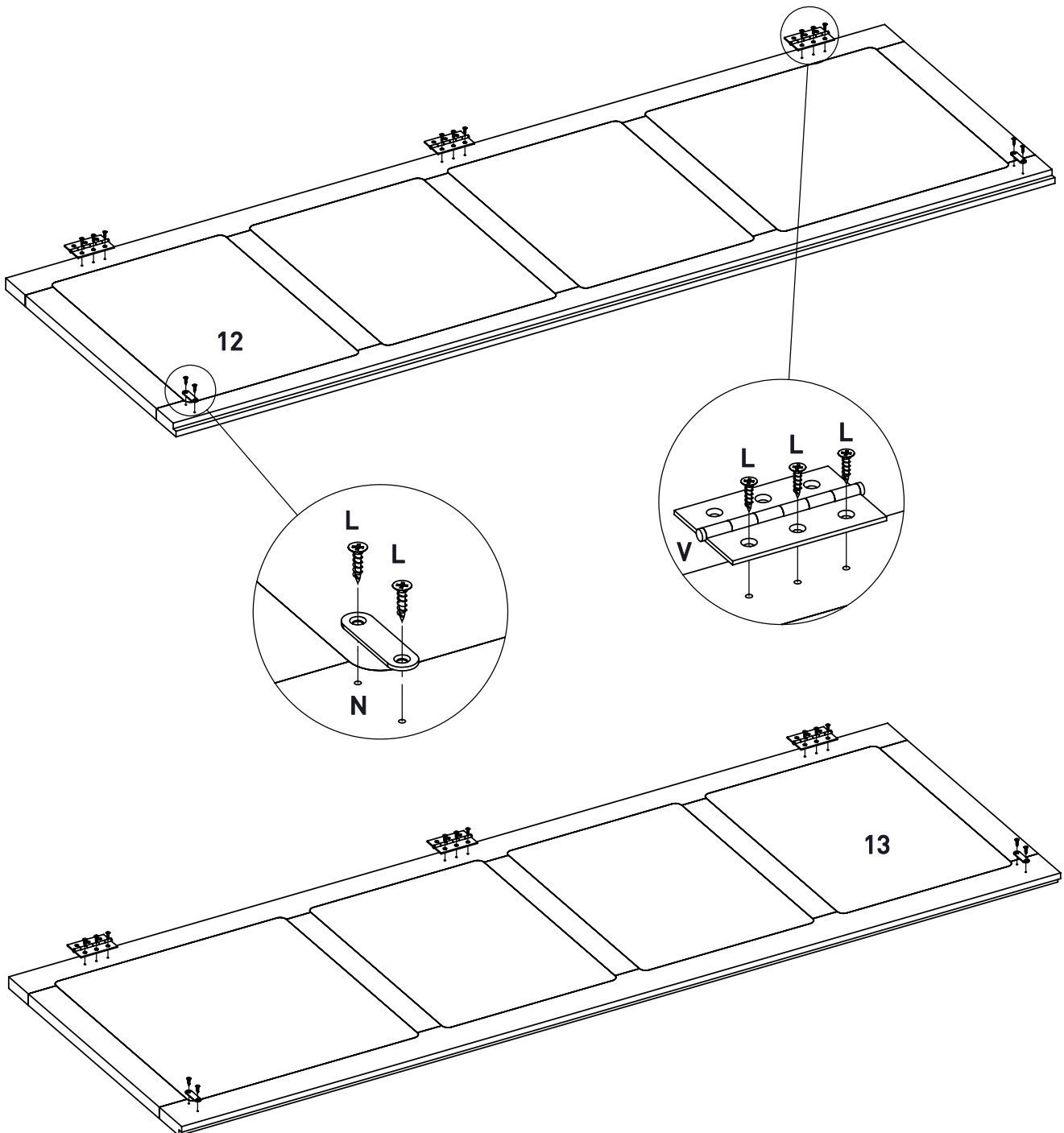
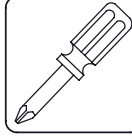
V x 6



L x 26

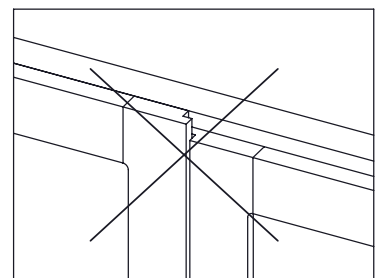
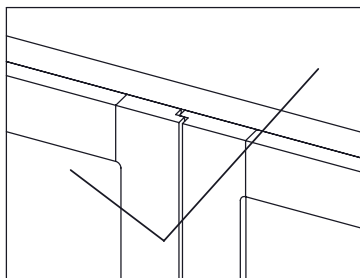
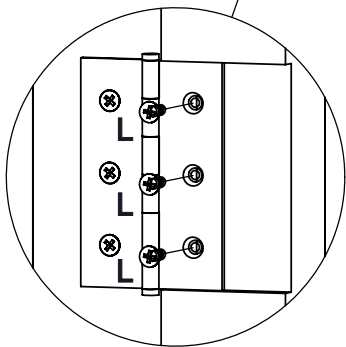
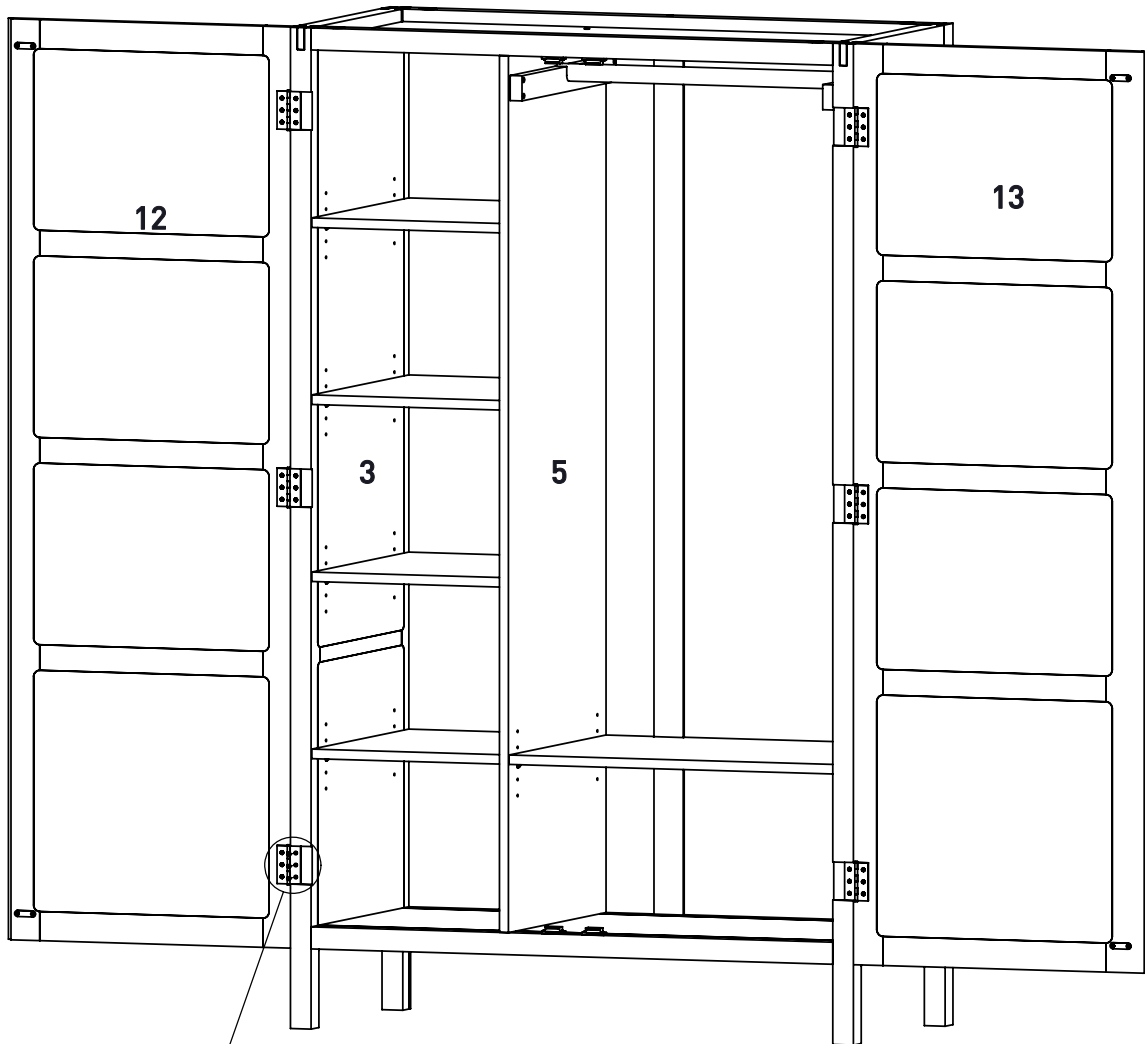
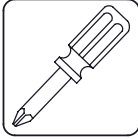


N x 4

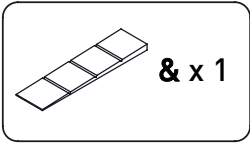


Step 13

 L x 18

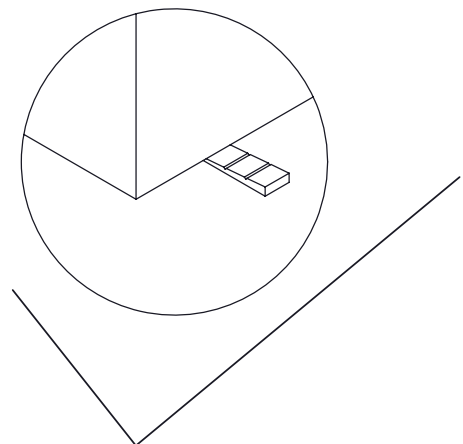
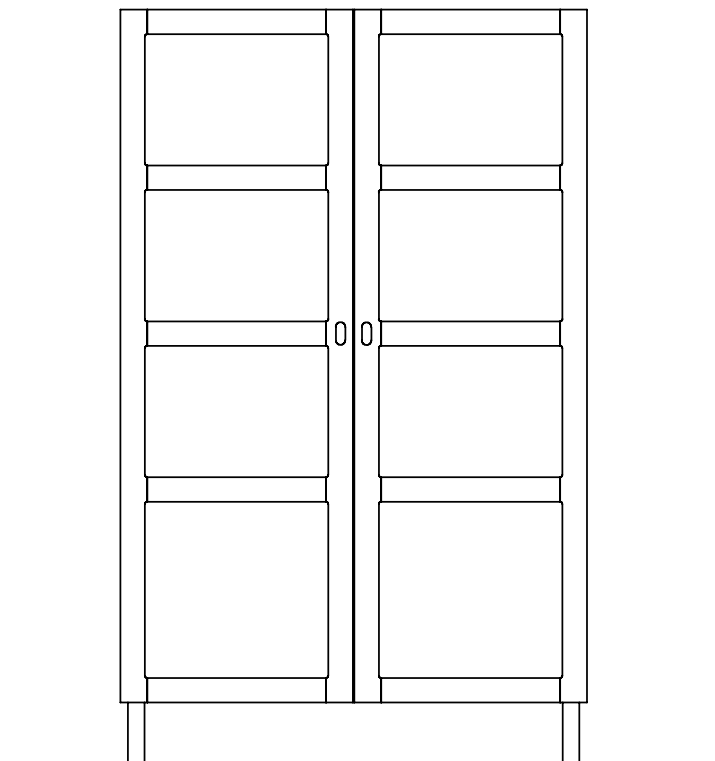
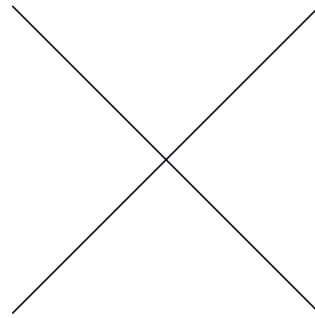
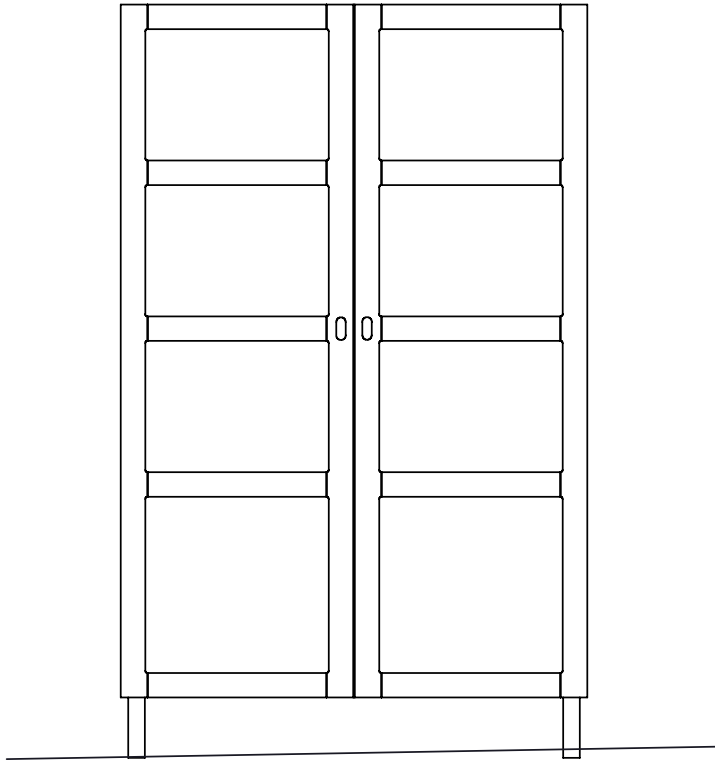


Step 14



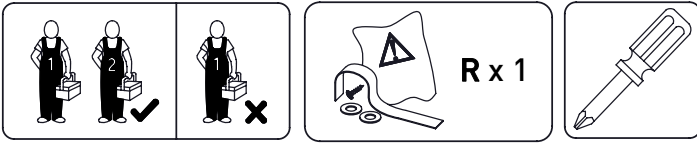
Note :

Please use supplied wedge as shown on on uneven floors.



Fitting Wall Strap

Step 15



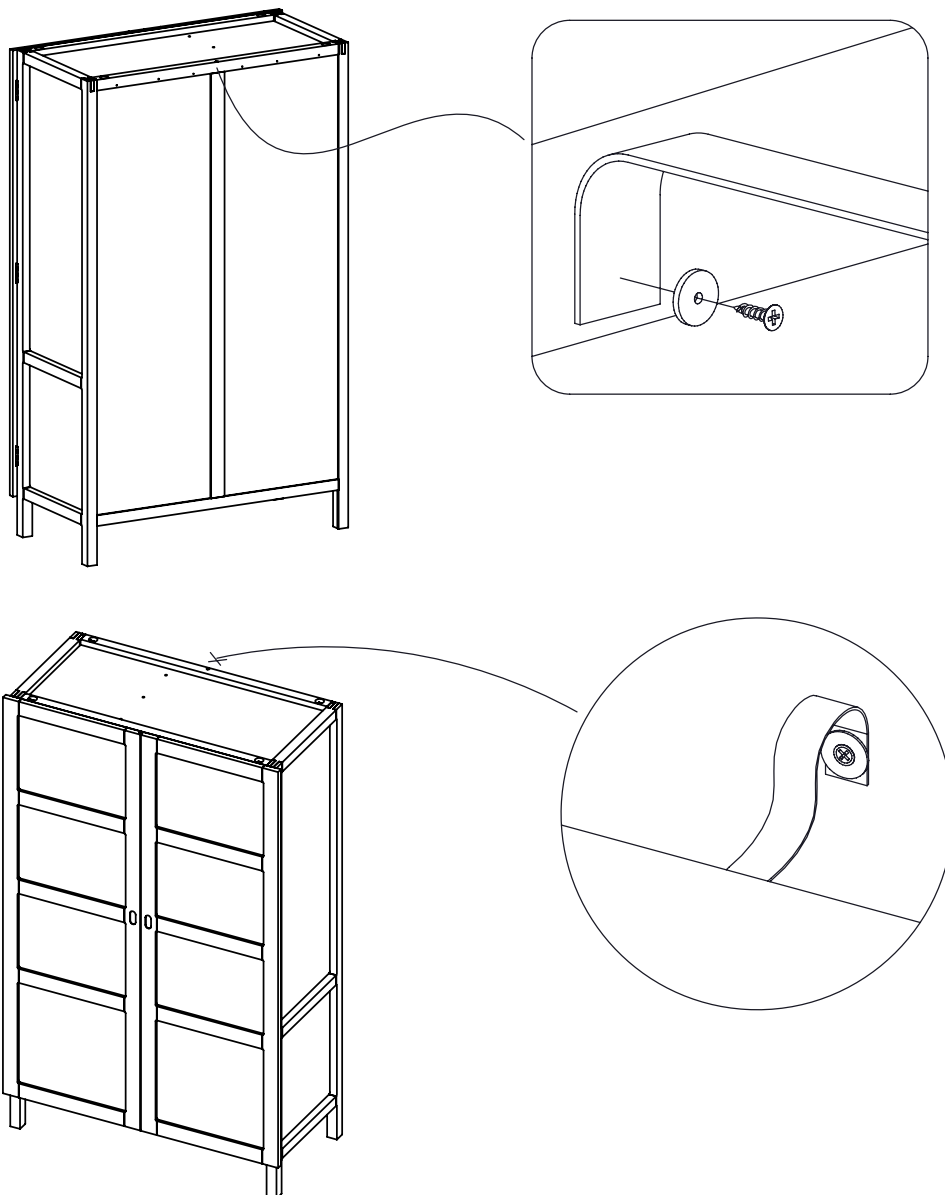
Warning :

Due to the height of this piece of furniture we strongly recommend that it is attached securely to the wall using the wall strap provided.

We have provided a screw for attaching the wall strap to furniture but you must assess the type of wall you want to fit it to and provide the appropriate type of wall fitting. If you are in any doubt about which type of wall fitting to use please seek professional help or ask your local hardware store.

Please refer the Wall Mounting and Fittings Guide at the back of this assembly instruction.

Before screwing or drilling into your wall always check for hidden pipes and cables.



A Guide to - Wall Mounting & Fixings

Important note:

Wall Fixings:



- because of the variety of different wall types, Habitat cannot provide you with the exact fixings you will need to fix this product to the wall.


You must first identify the type of wall you intend to fix product onto and then contact your local hardware store to get the appropriate fixings.



Important: When drilling into walls always check that there are no hidden wires or pipes etc.

Make sure that the screws and wall plugs being used are suitable for supporting your unit. Consult a qualified tradesperson if you are unsure.

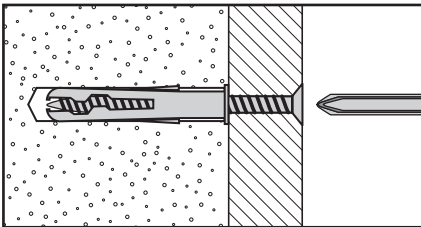
Hints:

- 1: General rule:**  Always use a larger screw and wall plug if you are not sure.
- 2:** Ensure you use the recommended drill bit to match the wall plug and hole size.
- 3:** Ensure you drill the hole horizontally, do not force the drill or enlarge the hole.
- 4:** Take extra care when drilling high walls, ceilings and ceramic tiles. Ensure wall plugs are inserted beyond the thickness of the ceramic tiles to avoid the tiles splitting or cracking.
- 5:** Ensure wall plugs are well fitted and are a tight fit in the drilled hole.

Types of walls

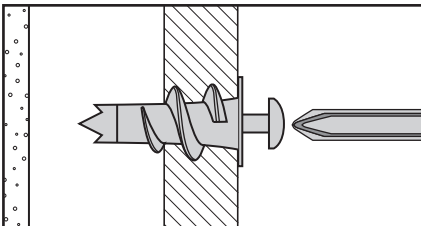
You can use one of the following types of wall plug if your walls are made of brick, breeze block, concrete, stone or wood.

No.1 "General Purpose" wall plug



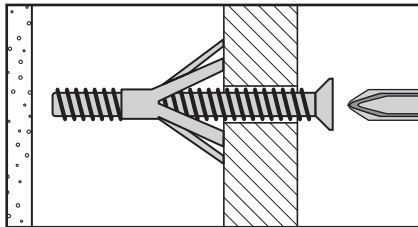
Generally aerated blocks should not be used to support heavy loads, use a specialist fitting in this case. For light loads, general purpose wall plugs can be used.

No.2 "Plasterboard" wall plug



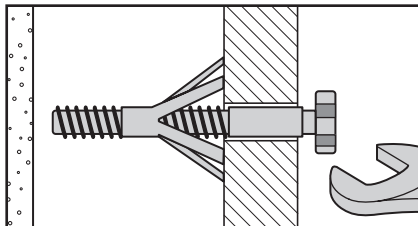
For use when attaching light loads on to plasterboard partitions.

No.3 "Cavity Fixing" wall plug



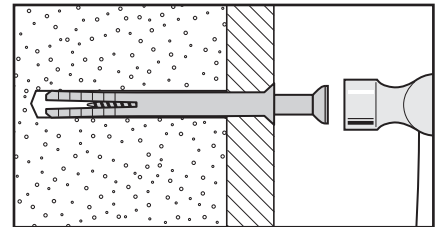
For use with plasterboard partitions or hollow wooden doors.

No.4 "Cavity Fixing-Heavy Duty" wall plug



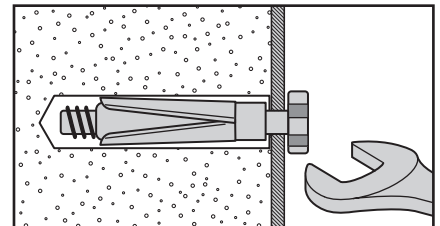
For use when fitting or supporting heavy loads such as shelving, wall cabinets and coat racks.

No.5 "Hammer Fixing" wall plug



For use with walls stuck with plasterboard. The hammer fixing allows it to be fixed to the wall rather than the plasterboard. Always check the fixing is secure to the retaining wall.

No.6 "Shield Anchor" wall plug Heavy loads



For use with heavier loads such as TV & HiFi speakers and satellite dishes etc.



Care & Maintenance

Safety: Always check the fitting and location to ensure your safety in and around the home.

Fitting: From time to time check the fitting to ensure the wall plugs or screws do not become loose.