

# Mid Back Chair

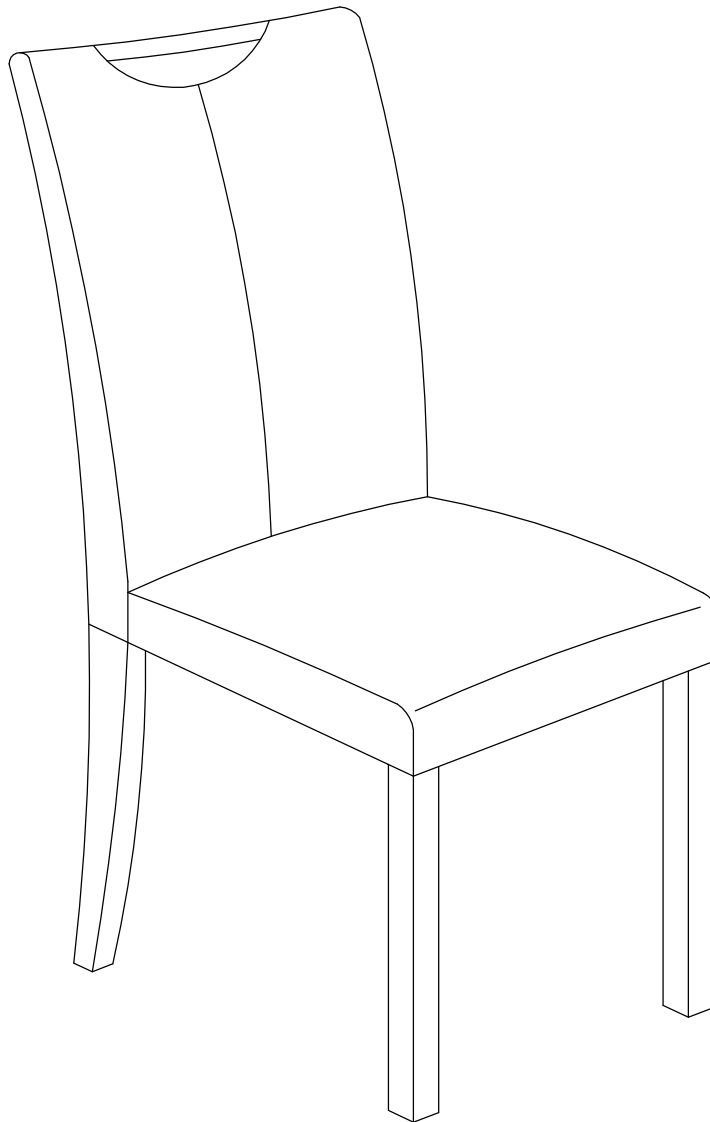
Assembly Instructions - Please keep for future reference

316/4709

321/1456

323/8501

339/9048



## Dimensions

Width - 42.5 cm

Depth - 46 cm

Height - 97 cm

**Important - Please read these instructions fully before starting assembly**

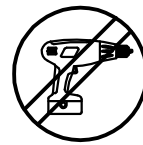
If you need help or have damaged or missing parts, call the **Customer Helpline : 0345 640 0800**



# Safety and Care Advice

## Important - Please read these instructions fully before starting assembly

- Keep these instructions for future use.
- Check you have all the components and tools listed on page 2 and 3.
- Do not stand or put excessive weight on the product, this could cause damage.
- Parts of the assembly will be easier with 2 people.
- Do not use this item if any components are missing or damaged.
- During assembly children should be kept away from the product due to possible risk of injury.
- Remove all fittings from the plastic bags and separate them into their groups.
- Dispose of all packaging carefully and responsibly.
- To ensure an easier assembly, we strongly advise that all fittings are only finger tightened during initial assembly. Only upon completion of the assembly should all fixing points be fully tightened.
- We do **NOT** recommend the use of power tools for this assembly.



## Solid Wood/ Real wood veneers

- This product has been finished using natural materials. As a living material, you may notice some variation in the grain and colour shade between the different components.
- Unlike a synthetic or man-made material which has uniform finish, a feature of natural wood is its variation in grain and colour. We wish to reassure you that this is quite normal and is not the result of any manufacturing fault.
- Where sheets of wood are joined together, a line may be detected. Again, this is normal and is not an imperfection.
- The natural finish should be cared for by the periodic application of a good quality 'wax' based domestic furniture polish (Not silicone!!). Occasional / small spills should be removed immediately using a damp cloth.
- Do not allow hot articles to come into contact with the surface, as damage will occur .

## Cleaning Guidance

- Minor Stains and spillages should be removed immediately from cushion fabric, by wiping over lightly with a damp cloth and mild soapy water.
- Light marking can also be removed using this method.
- To remove more stubborn stain or marking, a good quality proprietary domestic fabric cleaner can be used, although it should first be tested on an inconspicuous area of the fabric.

## Care and maintenance

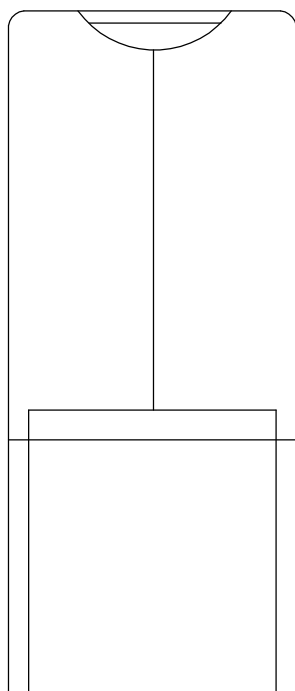
- Clean using a damp cloth or a proprietary domestic furniture polish. Do not use abrasive cleaners.
- This product should not be discarded with household waste. Take to your local authority waste disposal only
- From time to time check that there are no loose screws on this unit.

# Components - Parts

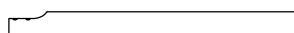
If you have damaged or missing components,  
call the Customer Helpline : 0345 640 080

Please check you have all the parts listed below

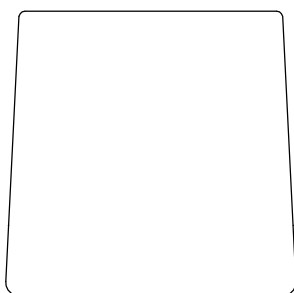
- 1 Backrest x2  
(97 x 35.5cm)



- 3 Front Legs x4  
(42.5 x 3.5 x 3.5cm)



- 2 Seat Pad x2  
(41 x 42cm)









# Components - Fittings

If you have damaged or missing components, call the Customer Helpline : 0345 640 080

Please check you have all the fittings listed below

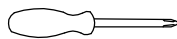
**Note :** The quantities below are the correct amount to complete the assembly. In some cases more fittings may be supplied than are required.

<p><b>A</b></p>  <p>40mm Allen Screw x 4</p>	<p><b>B</b></p>  <p>50mm Allen Screw x 8</p>	<p><b>C</b></p>  <p>80mm Allen Screw x 8</p>
<p><b>D</b></p>  <p>Spring Washer x 20</p>	<p><b>E</b></p>  <p>Falt Washer x 20</p>	<p><b>F</b></p>  <p>Allen Key x 1</p>

## Tools required

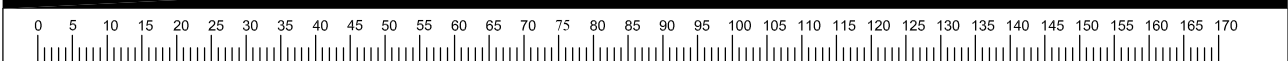


Ruler/tape  
measure



Philips screwdriver

Ruler - Use this ruler to help correctly identify the screws



# Assembly Instructions

## Step 1

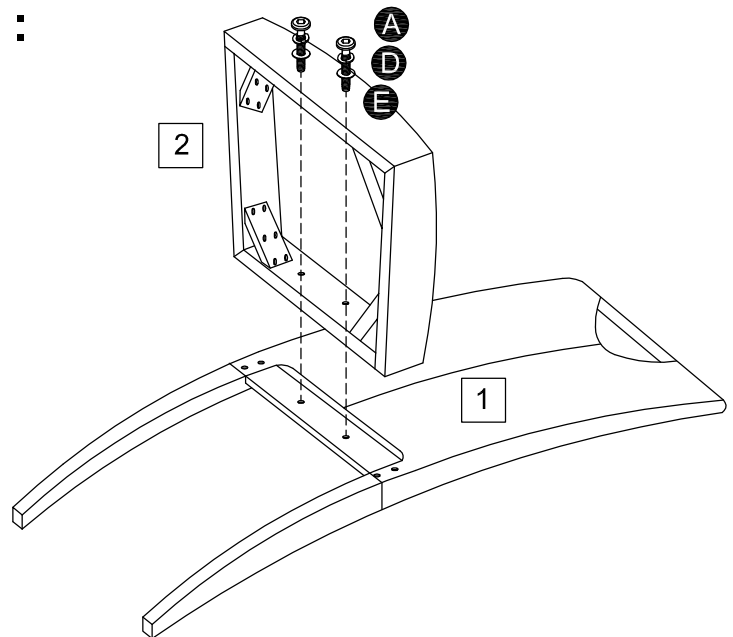
### Assembling Back Rest

**a:** Place backrest **1** flat onto the floor with the fixing holes facing up.

Carefully align seat pad **2** onto back rest **1** and secure using fixings **A**, **D** and **E**.

**Note :** Do not fully tighten at the stage.

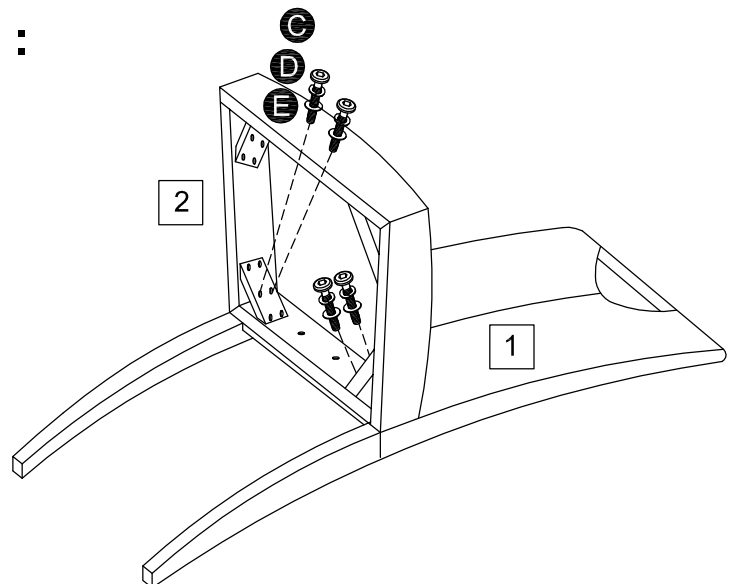
**a :**



**b:** Further secure seat pad **2** using fittings **C**, **D** and **E** as shown.

**Note :** Do not fully tighten at the stage.

**b :**



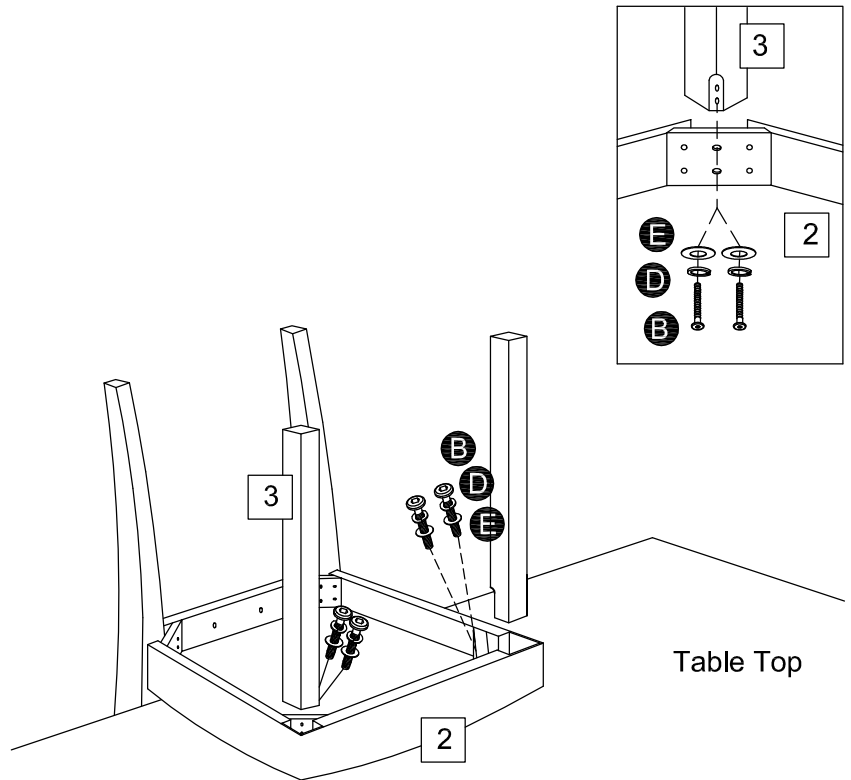
# Assembly Instructions

## Step 2

### Assembling Front Legs

Place the back rest assembly upside down onto a stable flat surface (i.e edge of table).

Assemble front legs **3** to seat pad **2** using fixings **B** , **D** and **E** .



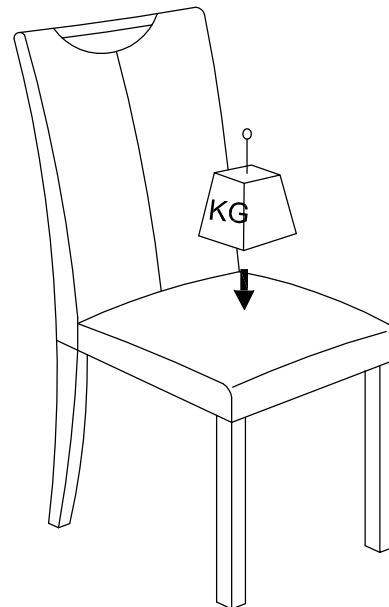
## Step 3

### Completing Assembly

Turn chair upright and place on a level surface.

Whilst applying a firm downward pressure to the seat , tighten all screws.

**Assembly is complete.**

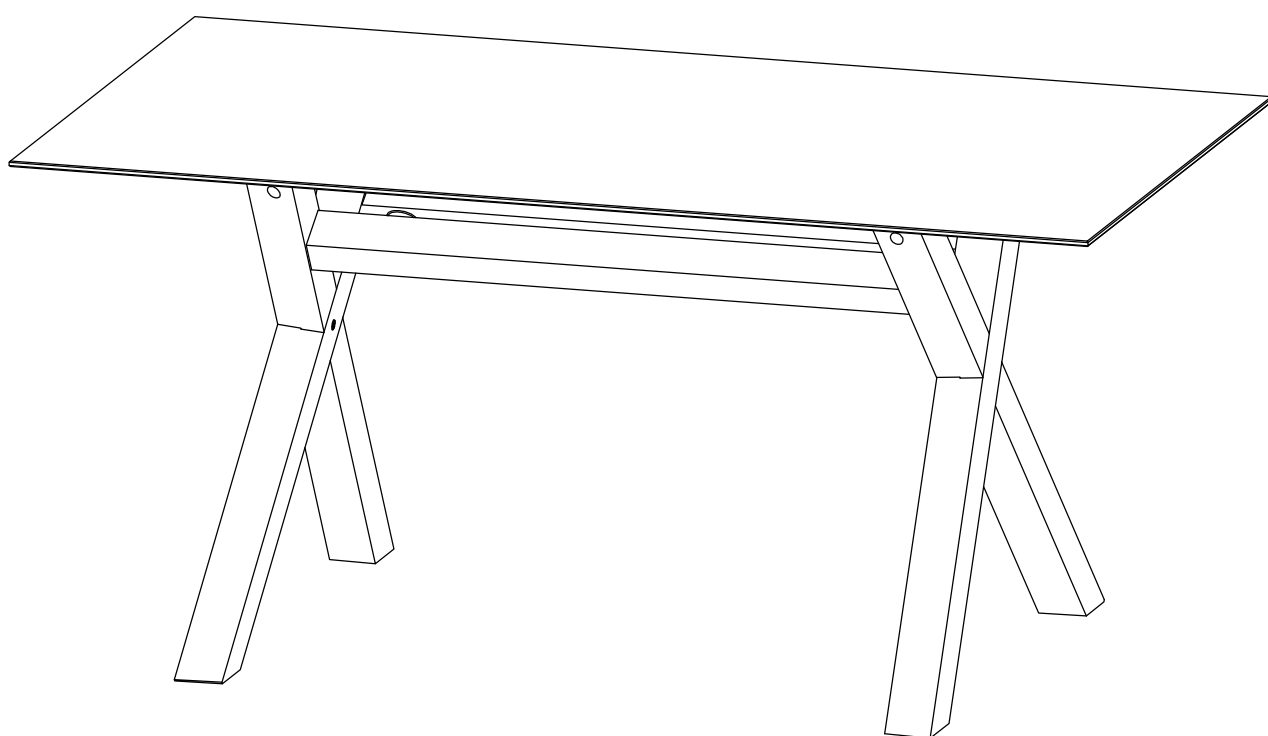


If you need help or have damaged or missing parts, call the **Customer Helpline : 0345 640 0800**  
Home Retail Group, 489-499 Avebury Boulevard, Saxon Gate West. Central Milton Keynes  
MK9 2NW

# Hartley Glass Dining Table

Assembly Instructions - Please keep for future reference

331/1538



## Dimensions

Width - 160cm  
Depth - 90cm  
Height - 75cm

**Important – Please read these instructions fully before starting assembly**

If you need help or have damaged or missing parts, call the **Customer Helpline:**  
**Argos = 0345 6400800**



# Safety and Care Advice

**Important – Please read these instructions fully before starting assembly**

- Check you have all the components and tools listed on the following pages.
- Remove all fittings from the plastic bags and separate them into their groups.
- Keep children and animals away from the work area, small parts could choke if swallowed.
- Make sure you have enough space to layout the parts before starting.

- During assembly do not stand or put weight on the product, this could cause damage.
- Assemble the item as close to its final position (in the same room) as possible.
- Assemble on a soft level surface to avoid damaging the unit or your floor.
- Parts of the assembly will be easier with 2 people.



- To reduce the likelihood of damaging your product please ensure that your power drill is set on a low torque setting.

## Care and maintenance

- Only clean using a damp cloth and mild detergent, do not use bleach or abrasive cleaners.
- From time to time check that there are no loose screws on this unit.
- This product should not be discarded with household waste. Take to your local authority waste disposal centre.

## Handy Hints

- Assemble all parts and bolts loosely during assembly, only once the product is complete should you fully tighten the bolts
- Regularly check and ensure that all bolts and fittings are tightend properly.

## Glass Safty

- Keep these instruction for future reference.
- Imported by:  
Argos Ltd.  
489-499 Avebury Boulevard.  
Saxon Gate West.  
Central Milton Keynes.  
MK9 2NW
- If the glass is chipped or broken, stop using the product and consult the Manufacturer or Supplier.
- Batch No: **545962** (按订单PO号)
- Date of Manufacture: **Nov.2014** (按出货年月)
- Type of glass used: 8mm toughened glass

### **Warning:**

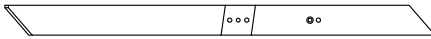
- (a) Do not place very hot or very cold items on the glass surface(s) unless adequately thick table mats are used to prevent such items from coming into contact with the glass.
- (b) Do not sit or stand upon the glass surface(s).
- (c) Do not use the glass as a chopping surface. Do not strike the glass with hard or pointed items.
- (d) When cleaning glass panels use a damp cloth or leather with washing up liquid or soft soap if necessary, do not use washing powders or any other substance containing abrasives since these substances scratch glass.



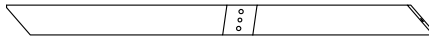
# Components - Panels

If you have damaged or missing components, call the Customer Helpline: Argos = 0345 6400800

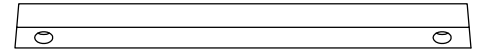
Please check you have all the panels listed below



**1** Table leg x 2  
(104.6 x 7cm)



**2** Table leg x 2  
(104.6 x 7cm)



**3** Support bar  
(87.7 x 6.2cm)



**4** Support bar  
(87.7 x 6.2cm)






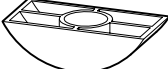
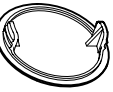

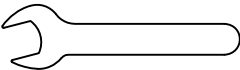



**5** Table top  
(160 x 90cm)

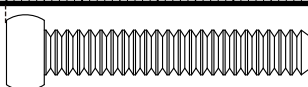
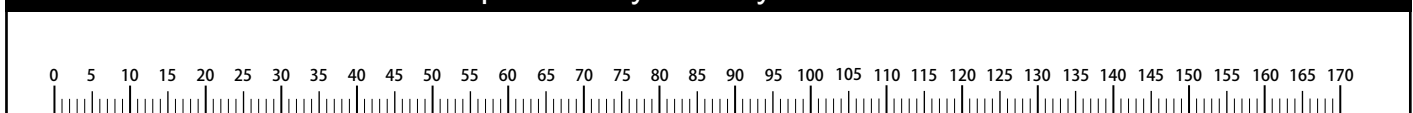
# Components - Fittings

Please check you have all the fittings listed below

**Note:** The quantities below are the correct amount to complete the assembly. In some cases more fittings may be supplied than are required.

<p><b>A</b> </p> <p>40mm Bolt x 4</p>	<p><b>B</b> </p> <p>50mm Bolt x 2</p>	<p><b>C</b> </p> <p>80mm Screw x 4</p>
<p><b>D</b> </p> <p>Plain washer x 8</p>	<p><b>E</b> </p> <p>Nut x 4</p>	<p><b>F</b> </p> <p>Connector x 4</p>
<p><b>G</b> </p> <p>Cap x 4</p>	<p><b>H</b> </p> <p>Wooden dowel X 8</p>	<p><b>I</b> </p> <p>Wrench X 1</p>
<p><b>J</b> </p> <p>Hex key X 1</p>		

**Ruler** - Use this ruler to help correctly identify the screws



The bolts length is measured from the head to the point (40mm bolt shown).

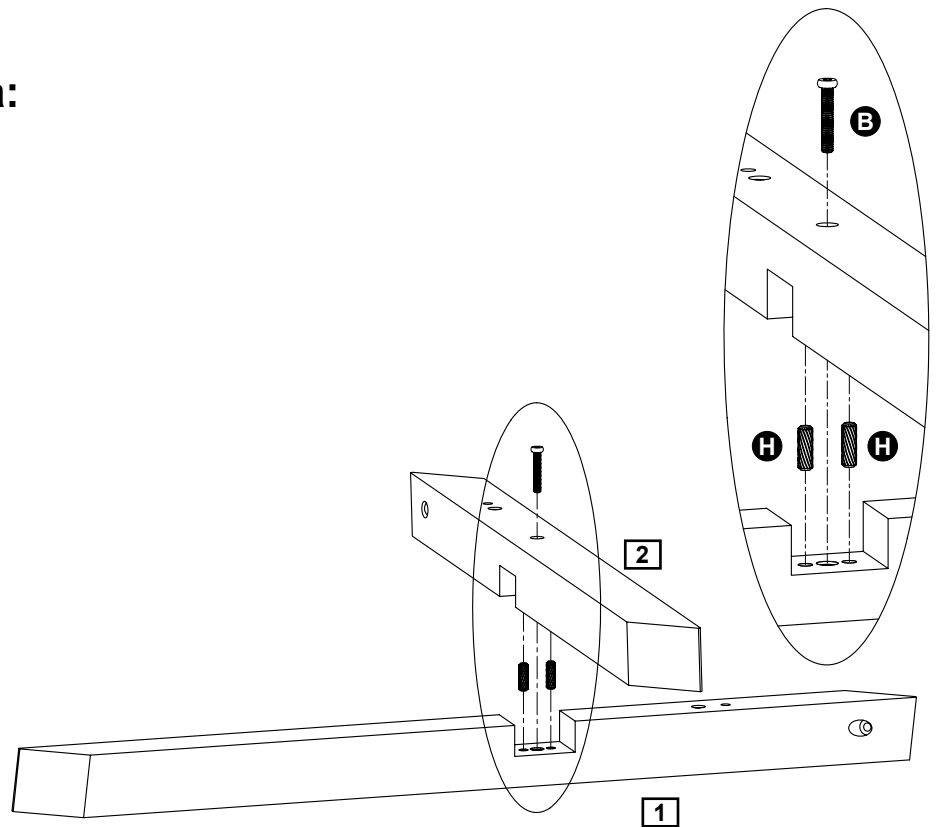
# Assembly Instructions

## Step 1

### Assemble table legs

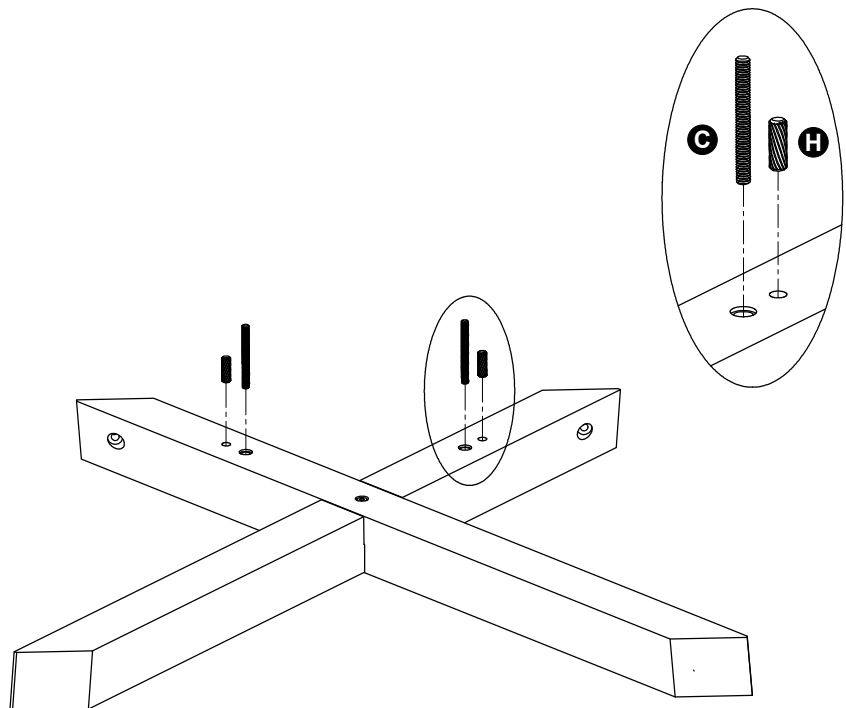
**a:** Fix table leg **1** and **2** by using bolt **B**, wooden dowels **H**.

**a:**



**b:** Fix screws **C** and insert wooden dowels **H** into table legs.

**b:**



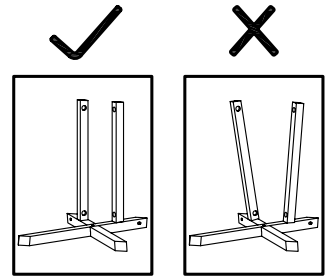
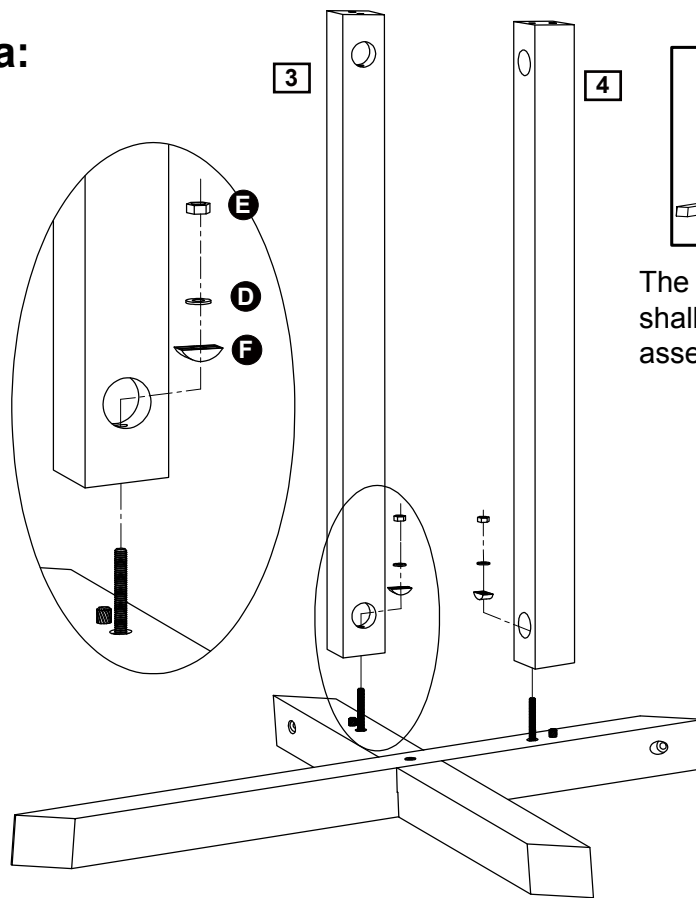
# Assembly Instructions

## Step 2

### Assemble support bars

**a:** Attach support bars **3** and **4** to table legs, then fix with connectors **F**, plain washers **D** and nuts **E**.

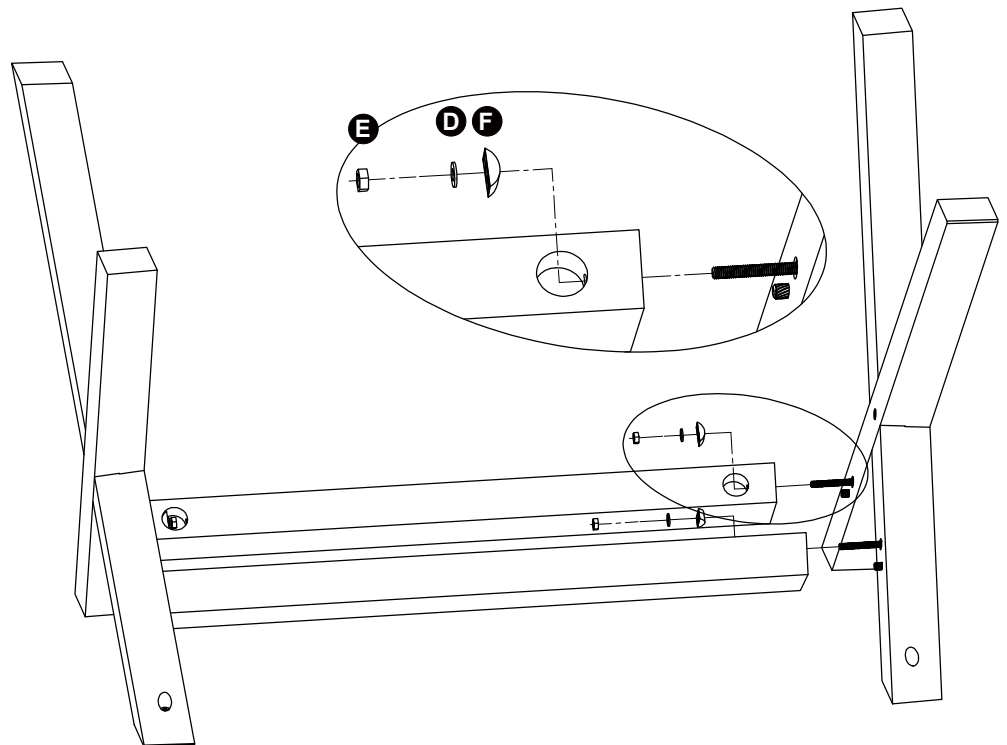
**a:**



The support bars **3** and **4** shall be in parallel after assembled.

**b:** Fix another leg frame with connectors **F**, plain washers **D** and nuts **E**.

**b:**



**Important note:** Do not fully tighten bolts at this stage.

# Assembly Instructions

## Step 3

### Assemble table top

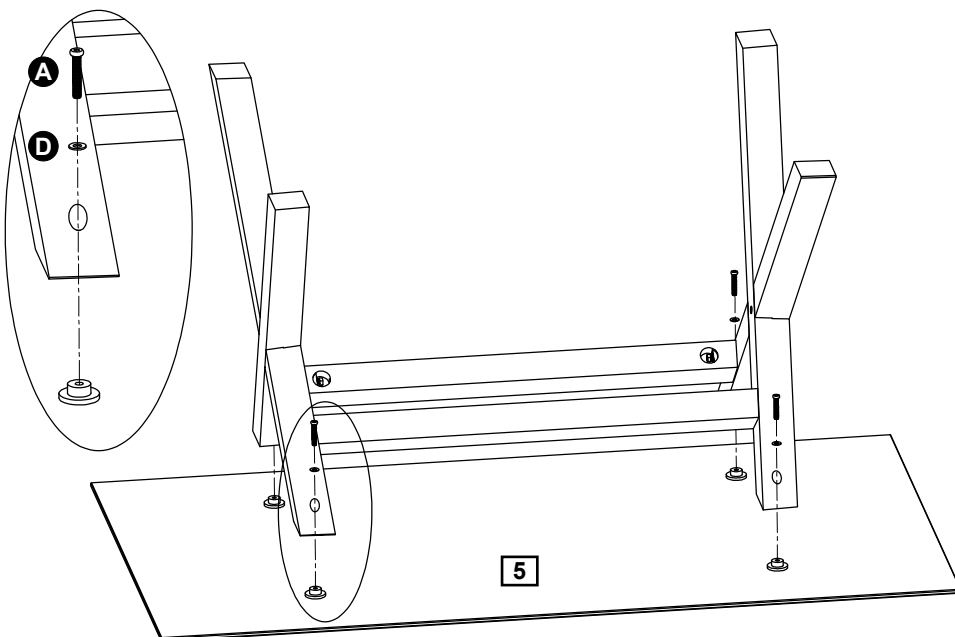
Two people are needed here.

Place table top **5** upside down on a clean protected surface.

Fix the assembled unit frame onto table top using bolts **A**, plain washers **D**.



**Important note:** After all the parts are positioned, you can now fully tighten all bolts fixed on previous steps.



## Step 4

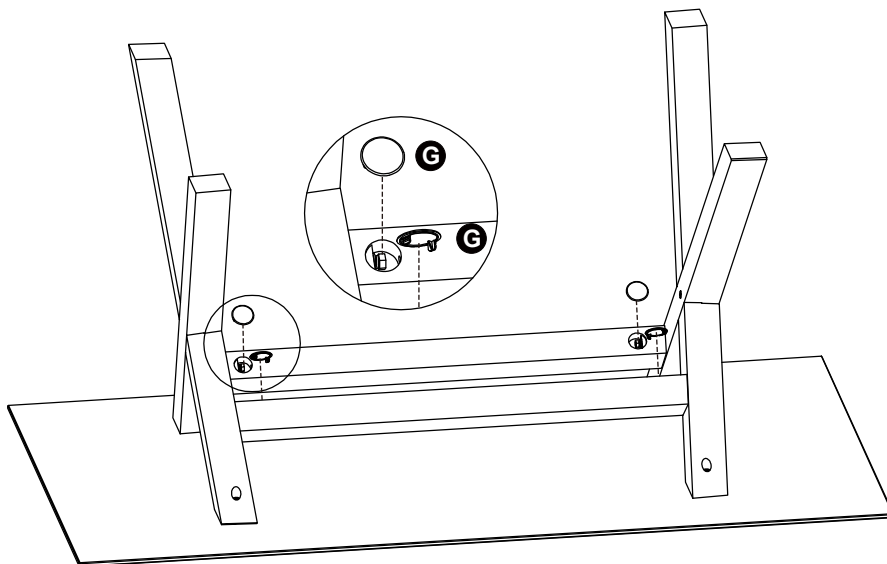
### Assemble cap

Cover the holes by using caps **G** as shown.

Turn the table upright.

Remove the plastic film on table top.

Assemble is complete



If you need help or have damaged or missing parts, call the **Customer Helpline:**  
**Argos = 0345 6400800**