

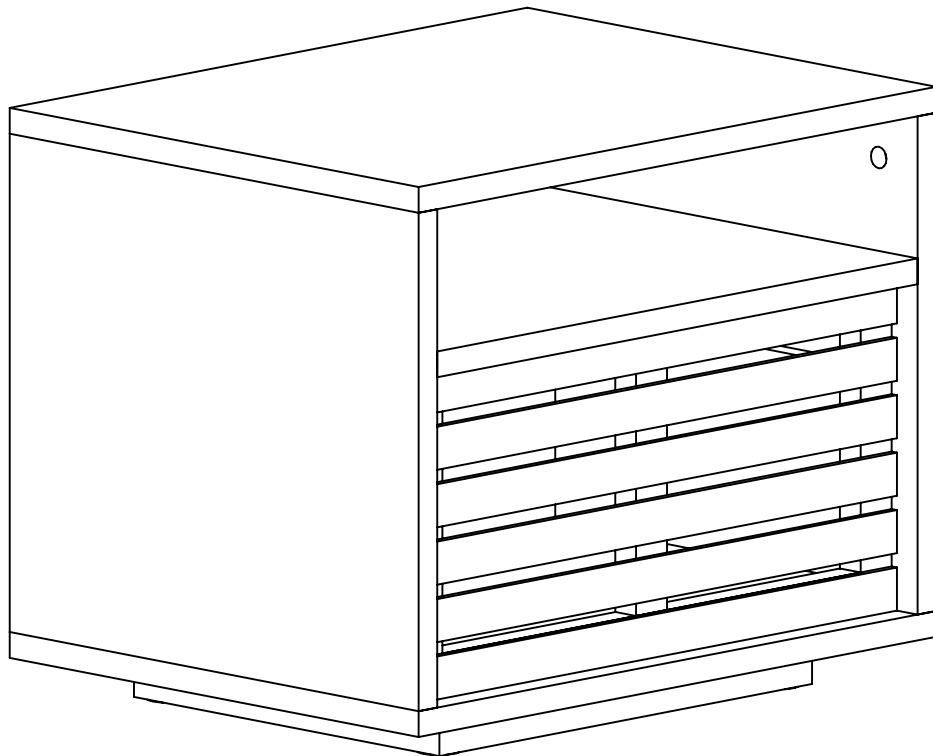
MAX

Bedside

50 x39.5x40 cm

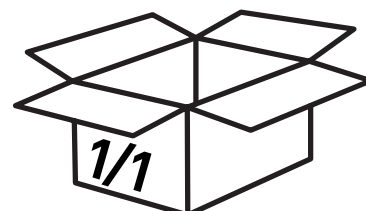
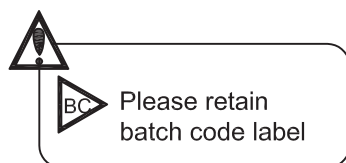
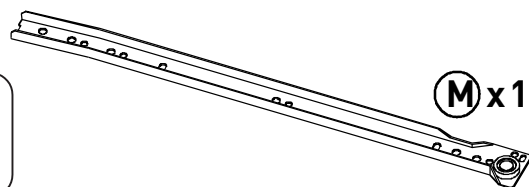
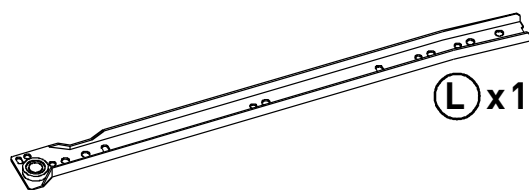
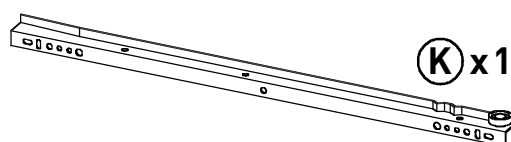
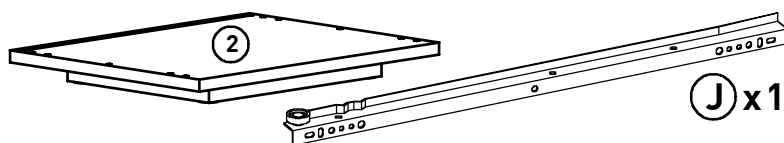
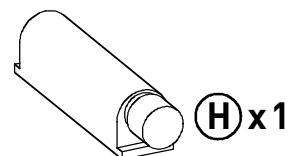
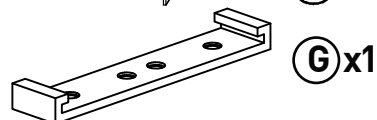
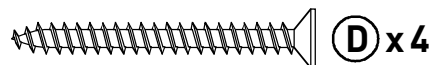
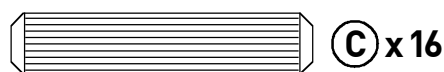
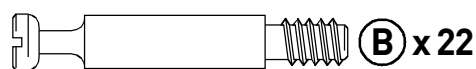
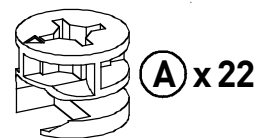
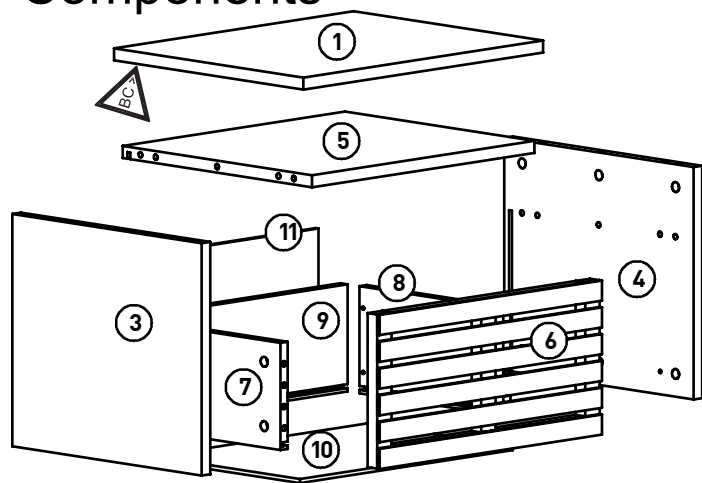
164446

MAX-BS-SS15-A



habitat 

Components



Assembly Instructions

Please keep safe for future reference

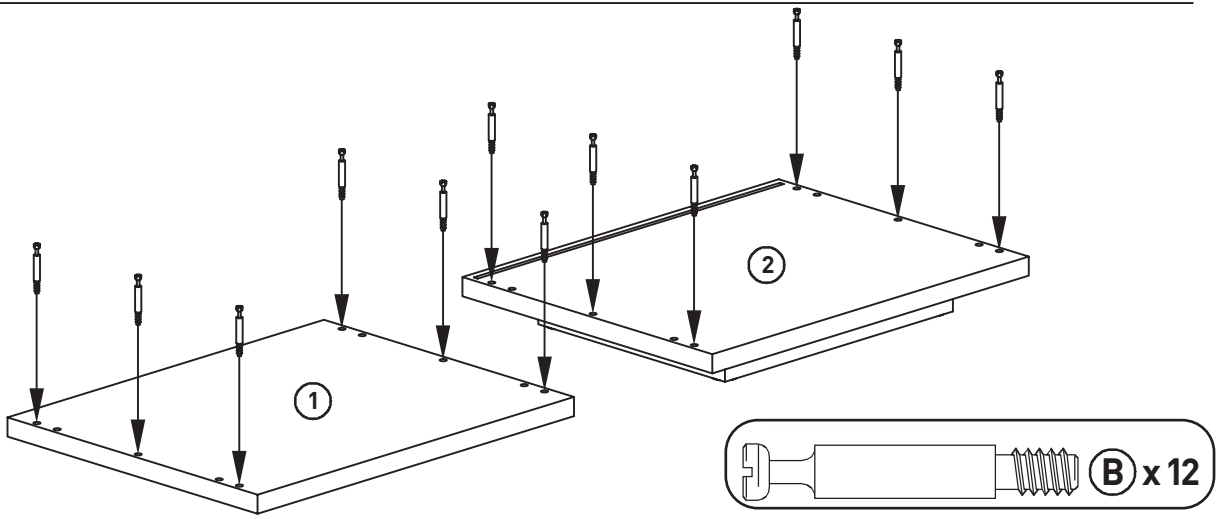
Before assembling the furniture please identify all component parts.

It would be sensible to assemble the furniture as close to its final position as possible.

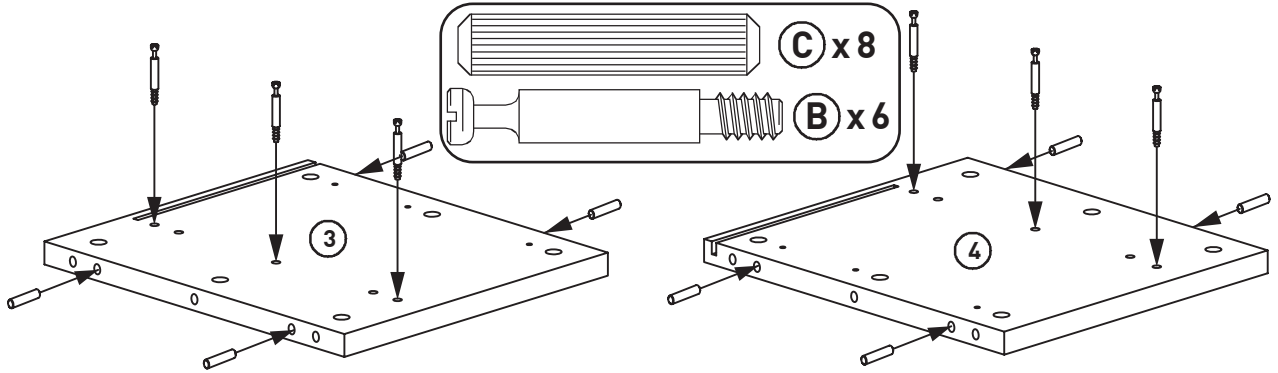
Do not place furniture directly in front of radiators, fires or any source of heat. Ensure the surface on which you are assembling the furniture is flat and clear of anything that might scratch it.

Check all packaging carefully for components and fittings before discarding it.

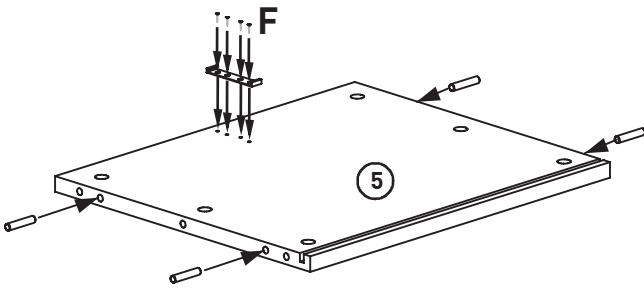
1



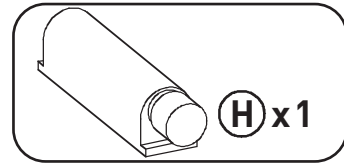
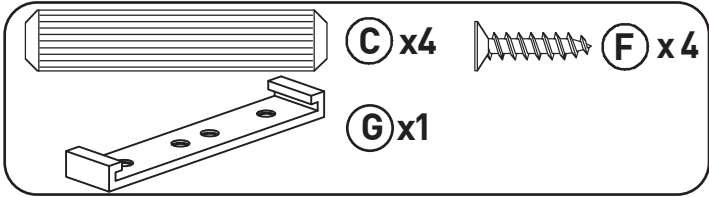
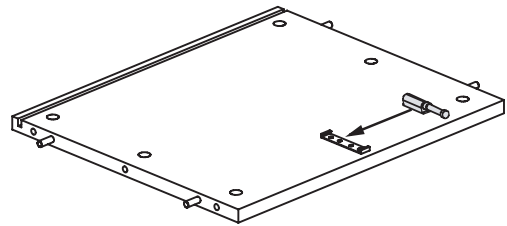
2



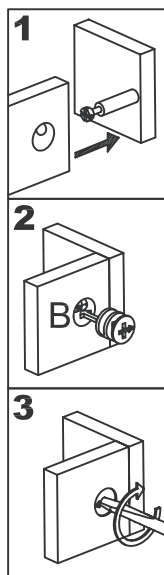
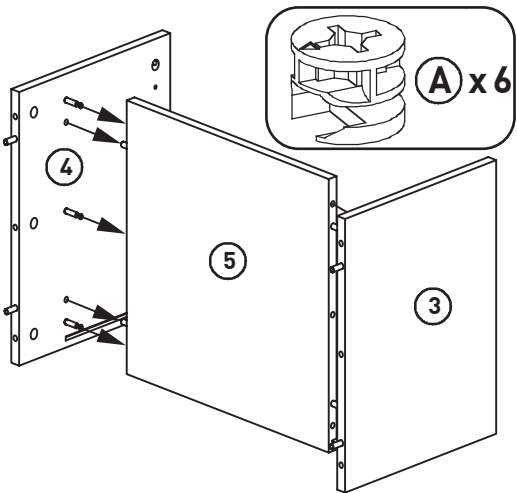
3



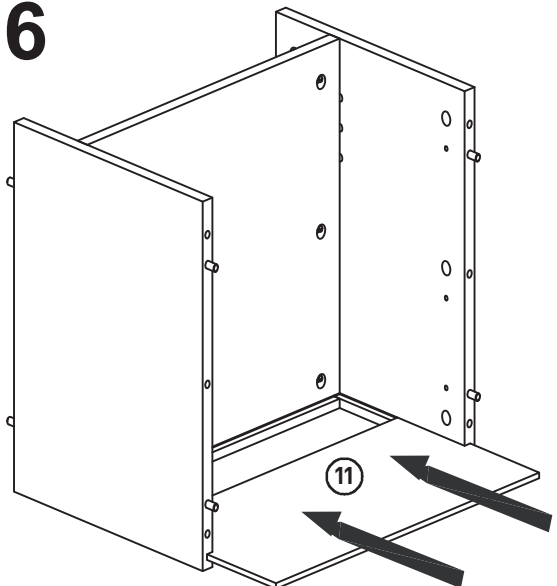
4



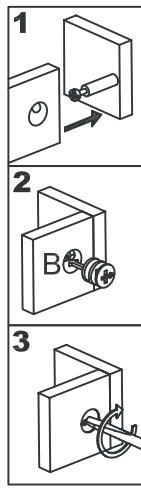
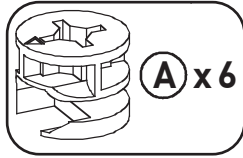
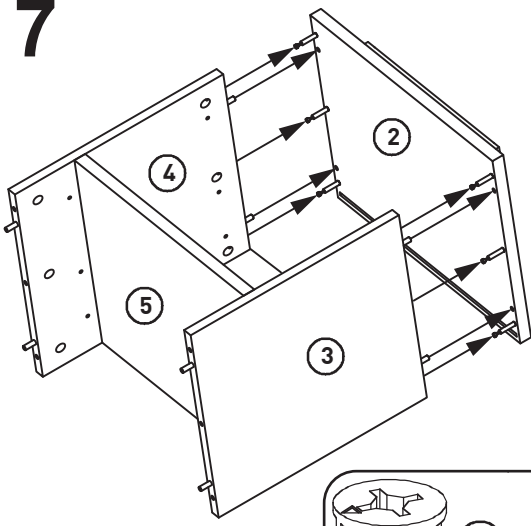
5



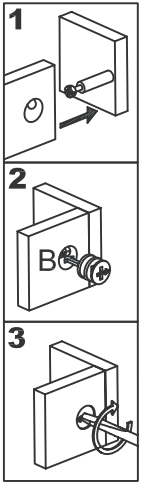
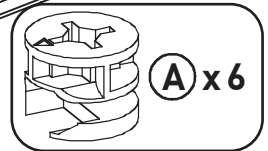
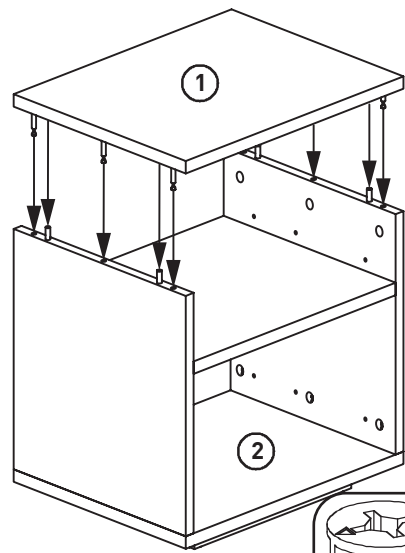
6



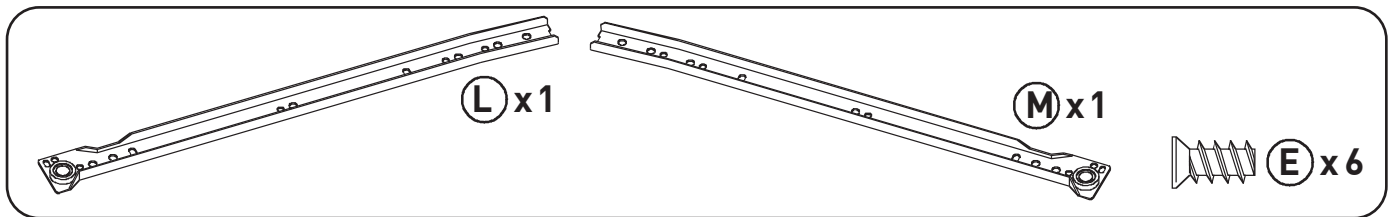
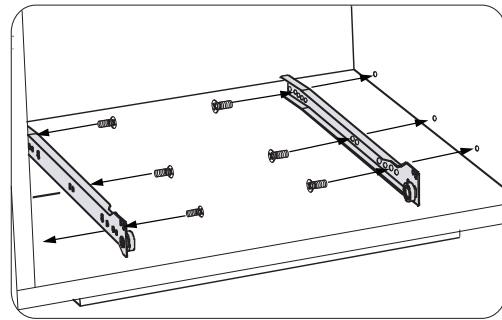
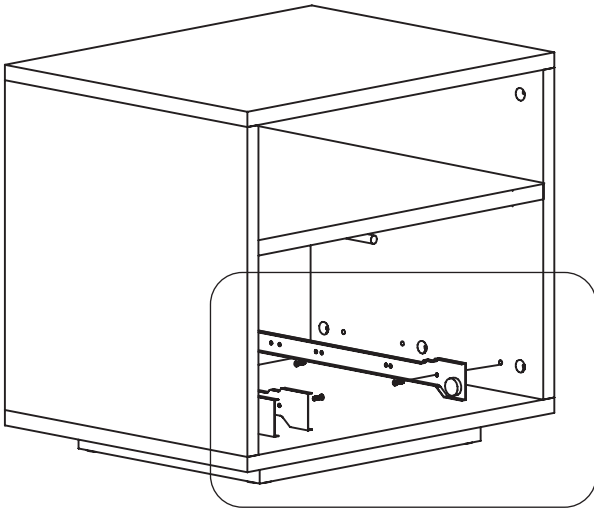
7



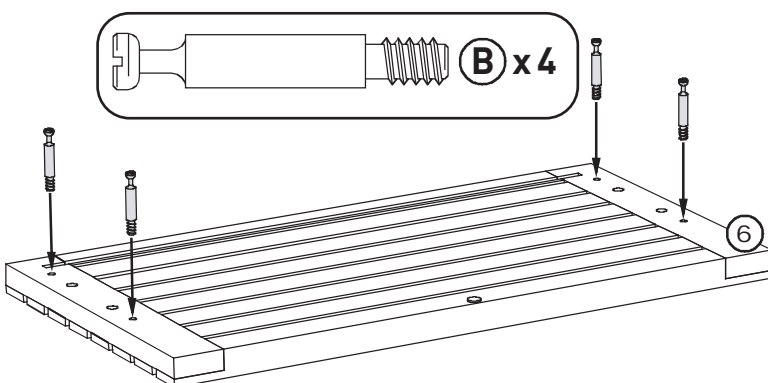
8



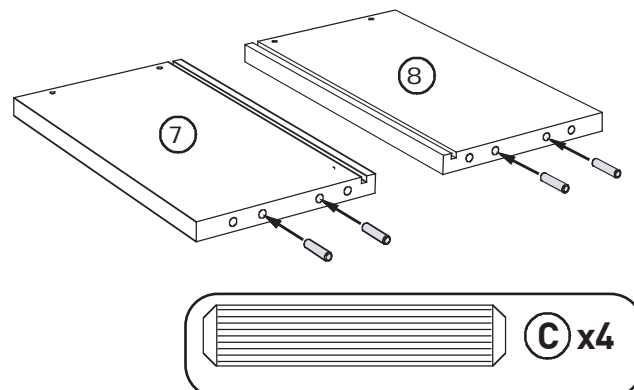
9



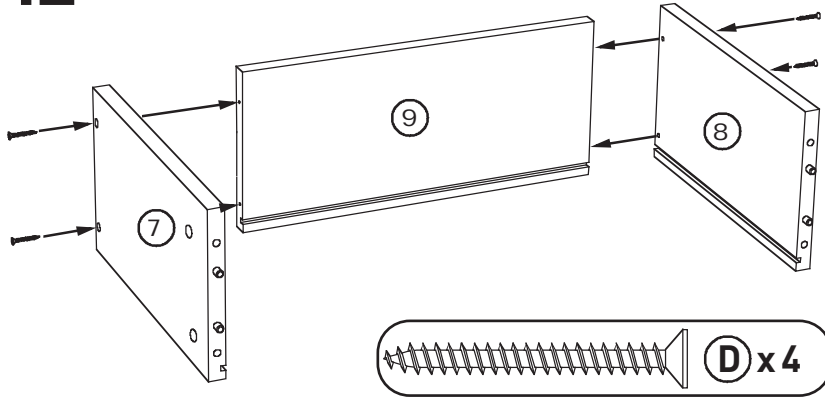
10



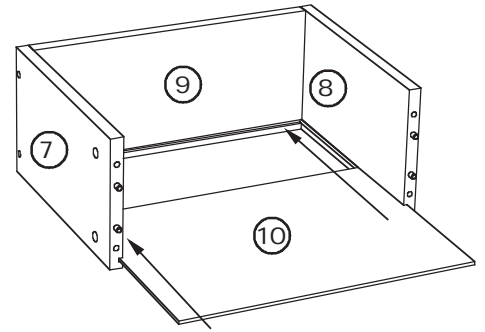
11



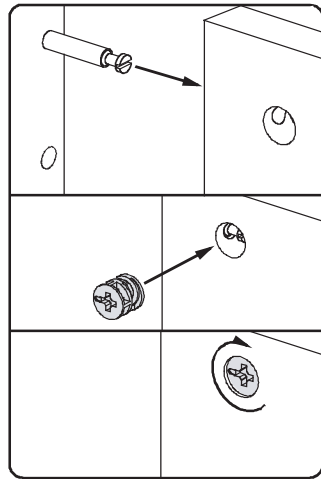
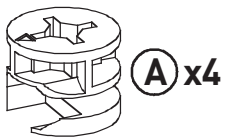
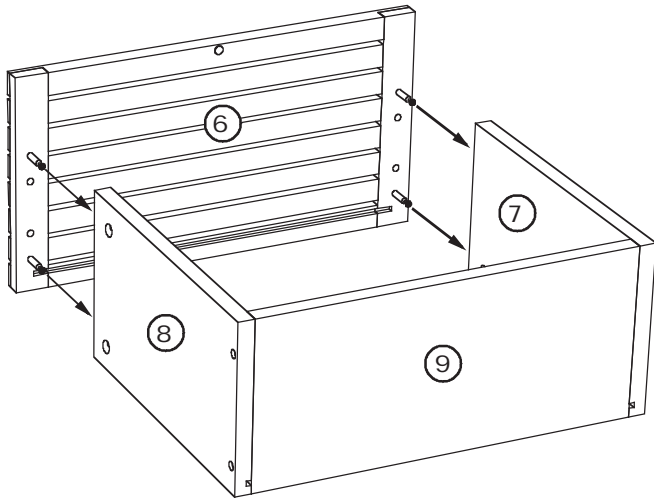
12



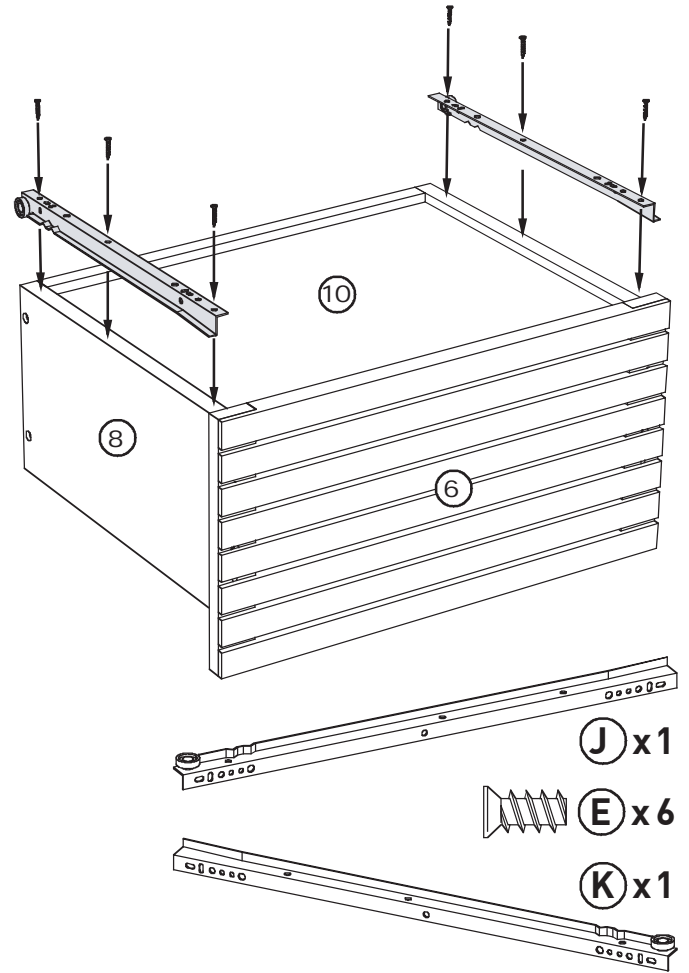
14



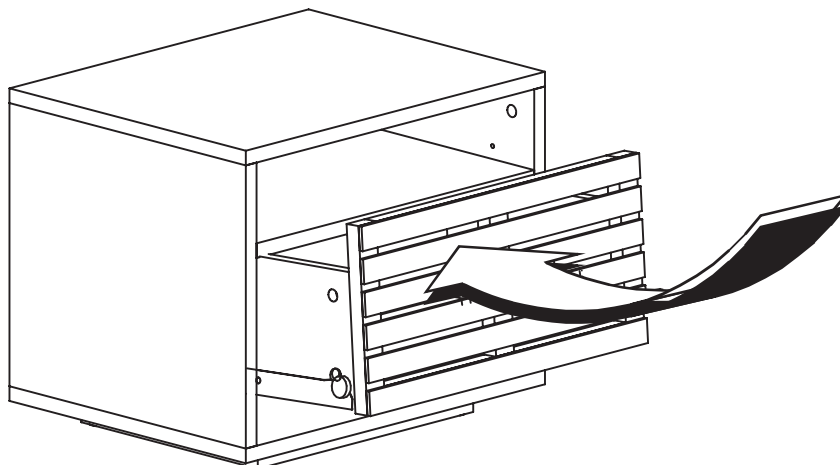
15



16



17



Care Instructions

Cleaning of Solid Timber / Veneers and Lacquered Surfaces

Dust regularly with a clean dry cloth. Wipe up any spills immediately with a damp cloth and then dry the surface with a clean dry duster. Repeat this procedure for periodic cleaning. The use of furniture polish or spray is not necessary or recommended. Always use place mats and coasters to protect the surface from moisture and heat.

Reapply oil every year. Apply a generous coating of furniture oil to the outer panels.

Allow oil to absorb for 1-2 hours and wipe dry. Follow the oil manufacturers instructions.

Do not oil the inside of the drawers.

If you need help or have received damaged or missing parts please email our customer services team at customerservices@habitat.co.uk or call them on 0344 499 4686 and they will be happy to help.

If you have any comments or suggestions regarding this product, its assembly instructions or the service you have received, please contact your nearest store or contact us directly via our website at www.habitat.co.uk .

Alternatively you can write to us at :-

Habitat Retail Ltd. 489 – 499 Avebury Boulevard, Milton Keynes MK9 2NW.

