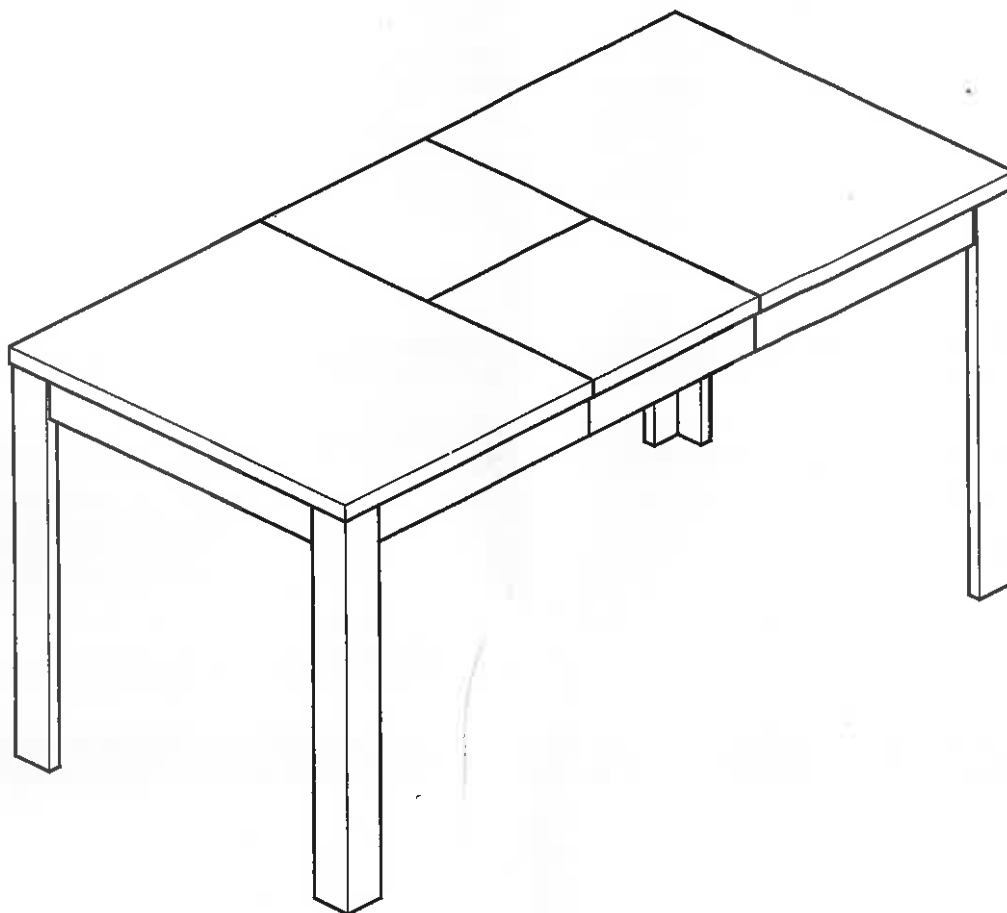


# Penley Extendable Table

Assembly Instructions - Please keep for future reference

330/8888

239/7694



## Dimensions

Width - 120 (160)cm  
Depth - 80cm  
Height - 75cm

**Important – Please read these instructions fully before starting assembly**

If you need help or have damaged or missing parts, call the Customer Helpline: 0345 640 0800



## Safety and Care Advice

**Important – Please read these instructions fully before starting assembly**

- Check you have all the components and tools listed on page 2 and 3.
- Remove all fittings from the plastic bags and separate them into their groups.
- Keep children and animals away from the work area, small parts could choke if swallowed.
- Make sure you have enough space to layout the parts before starting.

- During assembly do not stand or put weight on the product, this could cause damage.
- Assemble the item as close to its final position (in the same room) as possible.
- Assemble on a soft level surface to avoid damaging the unit or your floor.
- Parts of the assembly will be easier with 2 people.



- To reduce the likelihood of damaging your product please ensure that your

power drill is set on a low torque setting.

- Dispose of all packaging carefully and responsibly.

### Care and maintenance

- Only clean using a damp cloth and mild detergent, do not use bleach or abrasive cleaners.
- From time to time check that there are no loose screws on this unit.
- This product should not be discarded with household waste. Take to your local authority waste disposal centre.

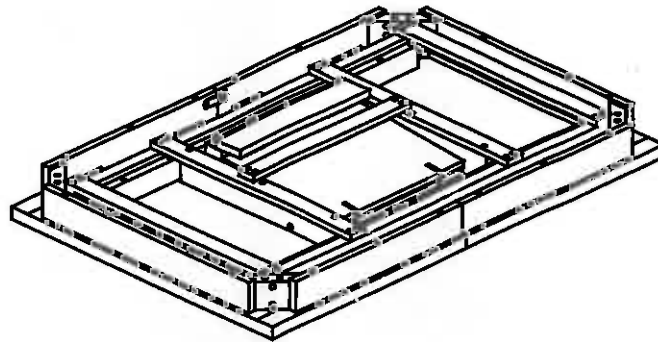
### Handy Hints

- Assemble all parts and bolts loosely during assembly, only once the product is complete should you fully tighten the bolts.
- Regularly check and ensure that all bolts and fittings are tightened properly.

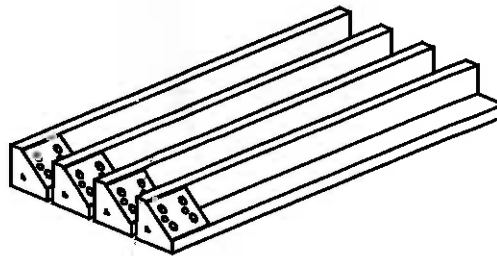
# Components - Parts

If you have damaged or missing components,  
call the Customer Helpline: 0345 640 0800

Please check you have all the parts listed below



**1** Table top x 1

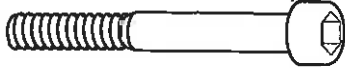





**2** Leg x 4

# Components - Fittings

Please check you have all the fittings listed below

**Note :**The quantities below are the correct amount to complete the assembly. In some cases more fittings may be supplied than are required.

<p><b>A</b> </p> <p>Bolt x 8</p>	<p><b>B</b> </p> <p>Spring washer x 8</p>	<p><b>C</b> </p> <p>Washer x 8</p>
<p><b>D</b> </p> <p>Ball allenkey x 1</p>		

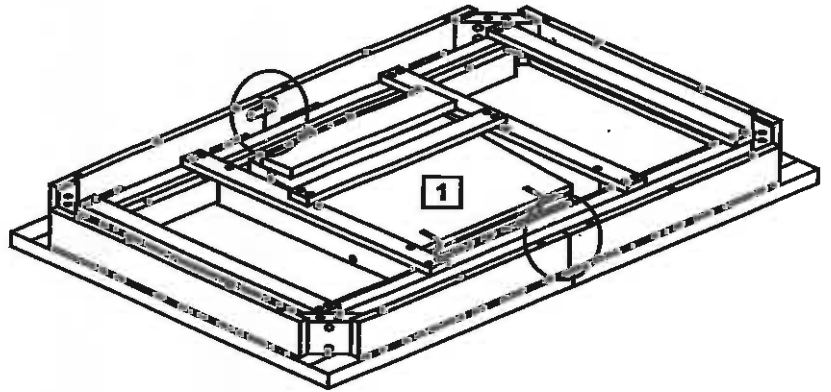
# Assembly Instructions

## Step 1

Place table top upside down being careful to not scratch the table top surface (Leaving the product within its cardboard packaging will assist you in being able to do this)

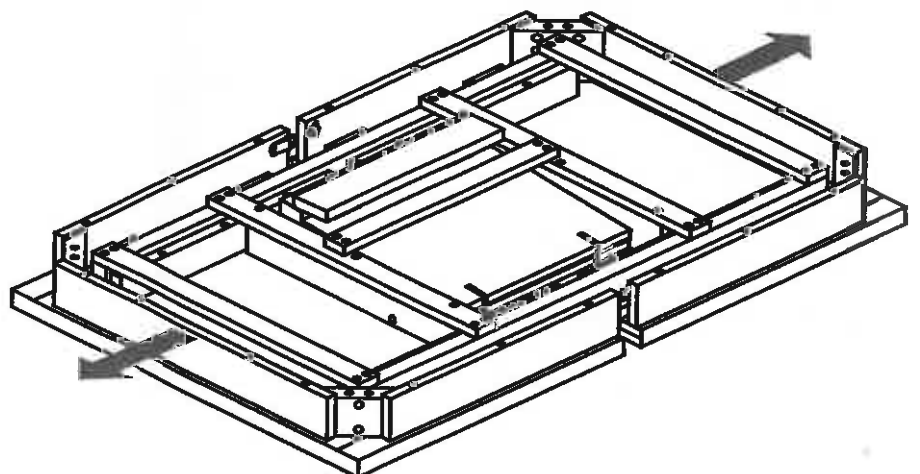
a: To release the safety locks.

a:



b: To pull the table tops out a little and provide the space for installation of legs as shown by arrows.

b:



# Assembly Instructions

## Step 2

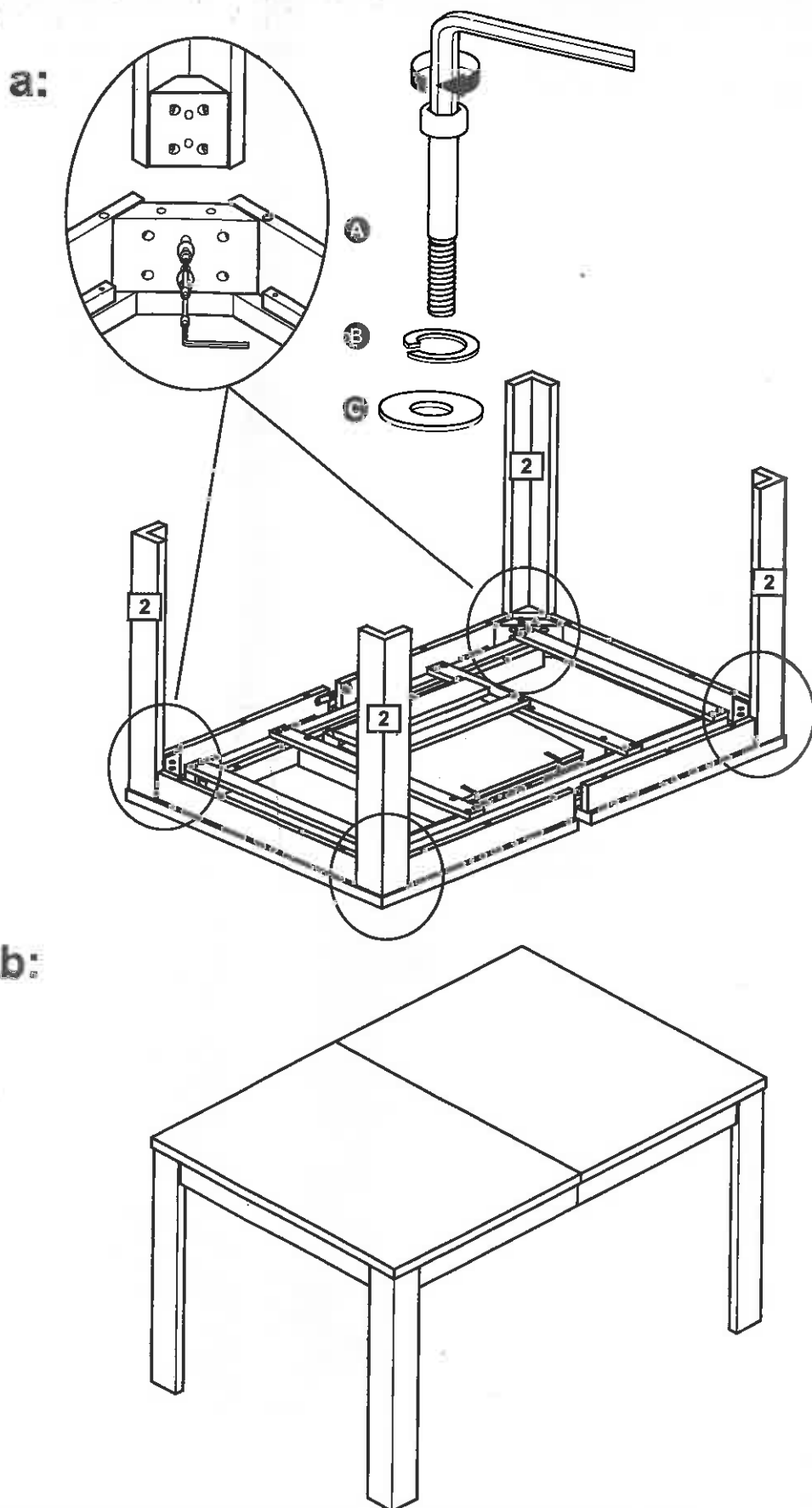
**a:** Now attach the legs **2** (x4) to each of the corners, by first step insert spring washers **B** and washers **C** into all the bolts **A**. Then screw the bolts **A** through the corner blocks and into the holes in the legs **2**. Tighten bolts by using the allen key **D**.

**Tighten all 3 bolts securely.**

**b:** 2 people are required for this next stage.

Please turn the table upright and place on your desired location.

**Assembly is complete.**



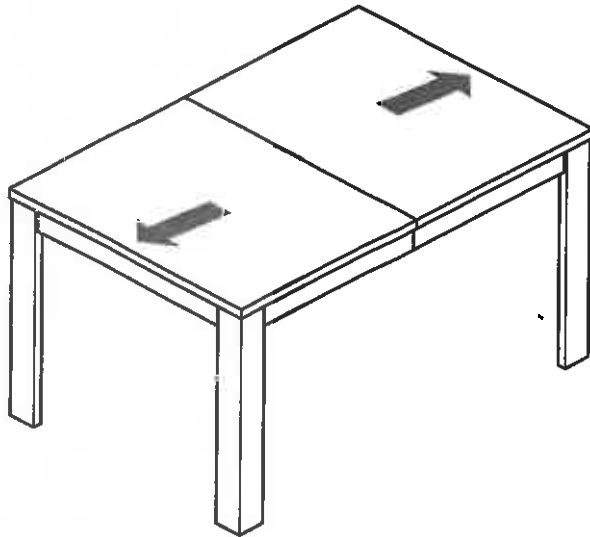
If you need help or have damaged or missing parts, call the **Customer Helpline: 0345 640 0800**

# Assembly Instructions

## Open Table

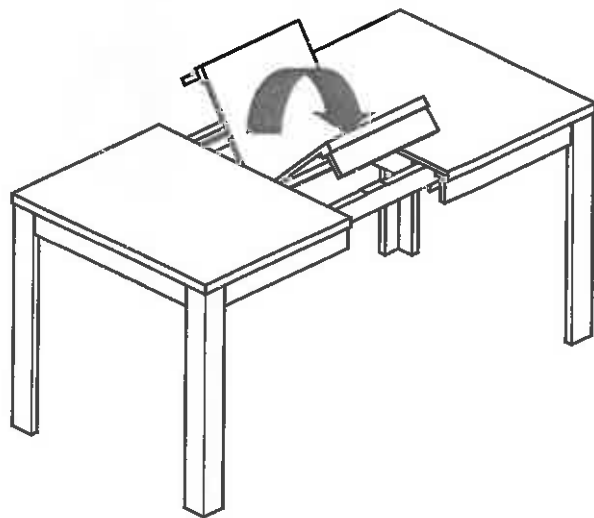
**a:** Release safety locks (see safety lock instruction below) Hold the apron of table to lift the table up and pull the table tops out as shown by the arrows.

**a:**



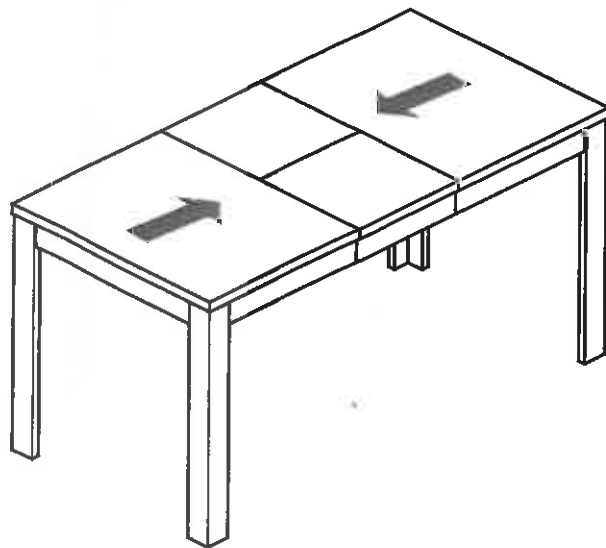
**b:** Make sure left and right side top and extension leaves are flat and aligned.

**b:**

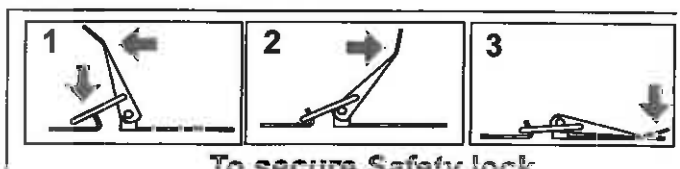
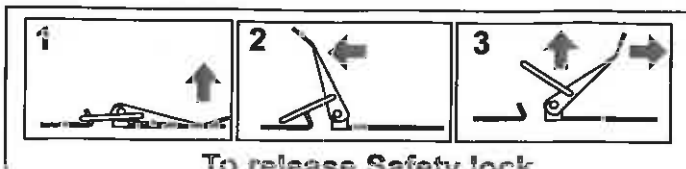


**c:** Hold the apron of table to push on both sides of tables as shown by the arrows. Use safety locks to ensure table tops will not move while using. (see safety lock instruction below)

**c:**



## SAFETY LOCK INSTRUCTION.

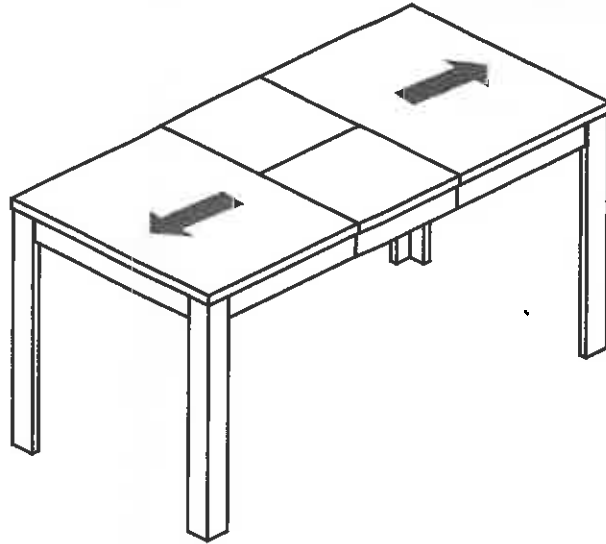


# Assembly Instructions

## Close Table

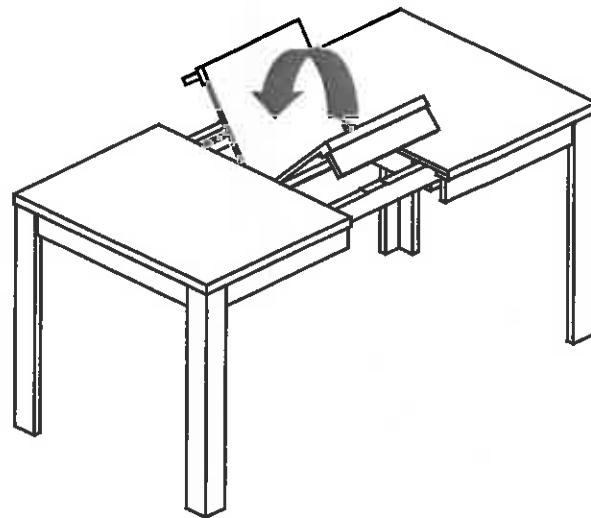
**a:** Release safety locks (see safety lock instruction below) Hold the apron of table to lift the table up and pull the table tops out as shown by the arrows.

**a:**



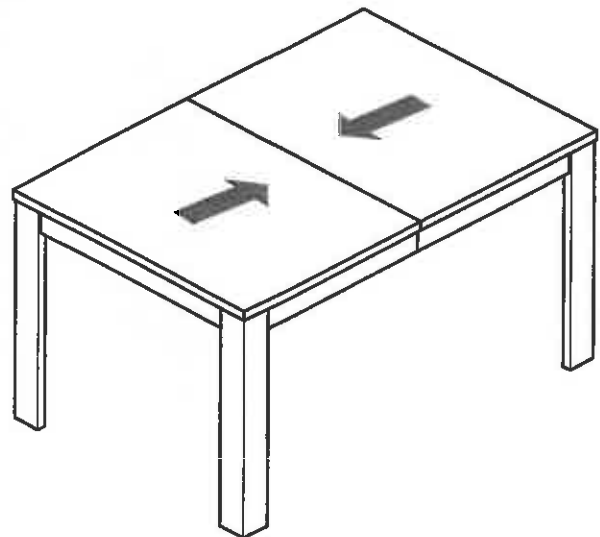
**b:** Close the extension leaves.

**b:**



**c:** Hold the apron of table to push on both sides of tables as shown by the arrows. Use safety locks to ensure table tops will not move while using. (see safety lock instruction below)

**c:**

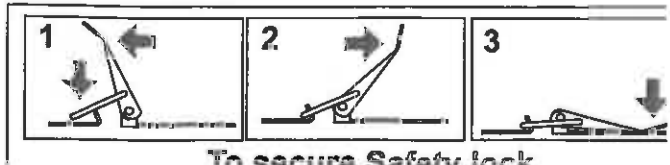


## SAFETY LOCK INSTRUCTION.

7



To release Safety lock



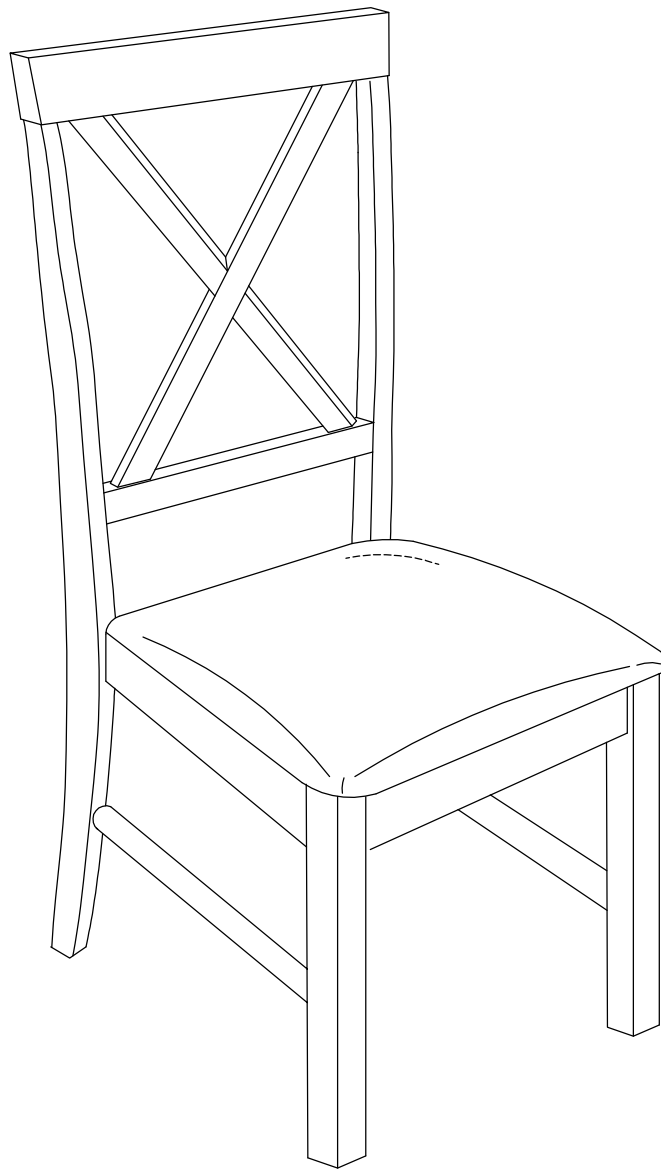
To secure Safety lock



# Hudson Chair

Assembly Instructions - Please keep for future reference

354/0828



## Dimensions

Width - 42 cm

Depth - 43.5 cm

Height - 90 cm

**Important - Please read these instructions fully before starting assembly**

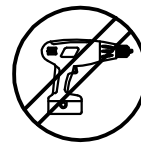
If you need help or have damaged or missing parts, call the **Customer Helpline : 0345 640 0800**



# Safety and Care Advice

## Important - Please read these instructions fully before starting assembly

- Keep these instructions for future use.
- Check you have all the components and tools listed on page 2 and 3.
- Do not stand or put excessive weight on the product, this could cause damage.
- Parts of the assembly will be easier with 2 people.
- Do not use this item if any components are missing or damaged.
- During assembly children should be kept away from the product due to possible risk of injury.
- Remove all fittings from the plastic bags and separate them into their groups.
- Dispose of all packaging carefully and responsibly.
- To ensure an easier assembly, we strongly advise that all fittings are only finger tightened during initial assembly. Only upon completion of the assembly should all fixing points be fully tightened.
- We do **NOT** recommend the use of power tools for this assembly.



## Solid Wood/ Real wood veneers

- This product has been finished using natural materials. As a living material, you may notice some variation in the grain and colour shade between the different components.
- Unlike a synthetic or man-made material which has uniform finish, a feature of natural wood is its variation in grain and colour. We wish to reassure you that this is quite normal and is not the result of any manufacturing fault.
- Where sheets of wood are joined together, a line may be detected. Again, this is normal and is not an imperfection.
- The natural finish should be cared for by the periodic application of a good quality 'wax' based domestic furniture polish (Not silicone!!). Occasional / small spills should be removed immediately using a damp cloth.
- Do not allow hot articles to come into contact with the surface, as damage will occur .

## Cleaning Guidance

- Minor Stains and spillages should be removed immediately from cushion fabric, by wiping over lightly with a damp cloth and mild soapy water.
- Light marking can also be removed using this method.
- To remove more stubborn stain or marking, a good quality proprietary domestic fabric cleaner can be used, although it should first be tested on an inconspicuous area of the fabric.

## Care and maintenance

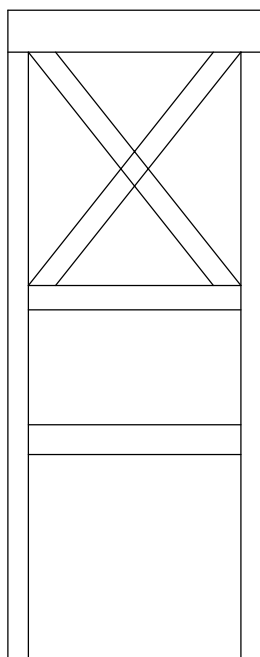
- Clean using a damp cloth or a proprietary domestic furniture polish. Do not use abrasive cleaners.
- This product should not be discarded with household waste. Take to your local authority waste disposal only
- From time to time check that there are no loose screws on this unit.

# Components - Parts

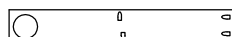
If you have damaged or missing components,  
call the Customer Helpline : 0345 640 080

Please check you have all the parts listed below

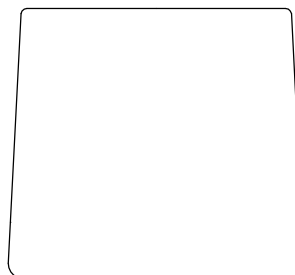
- 1 Backrest x2  
(35.7 x 93.5cm)



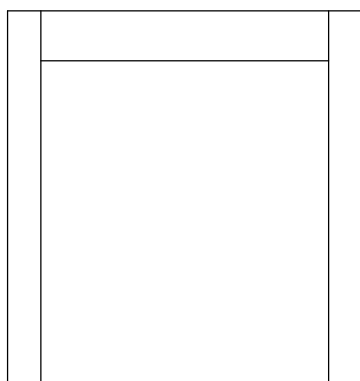
- 3 Seat Support x4  
(4.5 x 2 x 32.5cm)



- 4 Seat Pad x2  
(39 x 42cm)



- 2 Front Leg x2  
(3.2 x 39.5 x 42.5 cm)



- 5 Stretcher x4  
(1 x 2.6 x 35.5cm)



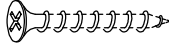




# Components - Fittings

If you have damaged or missing components, call the Customer Helpline : 0345 640 080

Please check you have all the fittings listed below

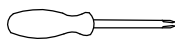
**Note :** The quantities below are the correct amount to complete the assembly. In some cases more fittings may be supplied than are required.

<p><b>A</b></p>  <p>40mm Allen Screw x 12</p>	<p><b>B</b></p>  <p>Spring Washer x 12</p>	<p><b>C</b></p>  <p>32mm Wood Screw x 14</p>
<p><b>D</b></p>  <p>Wood Dowel x 8</p>	<p><b>E</b></p>  <p>Allen Key x 1</p>	

## Tools required

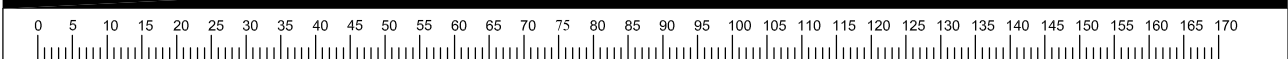


Ruler/tape  
measure



Phillips screwdriver

Ruler - Use this ruler to help correctly identify the screws



# Assembly Instructions

## Step 1

### Preparing Front Legs

Place front leg **2** face down onto the floor.

Fit wood dowels **D** into the holes in front leg **2** as shown.

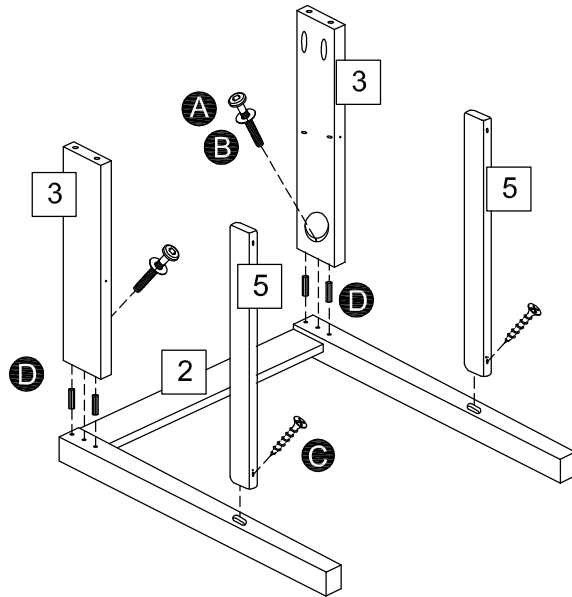
Carefully align seat supports **3** onto front leg **2** and secure using fixings **A** and **B**.

**Note** : Do not fully tighten at this stage.

Locate stretchers **5** into the lower holes in front leg **2** and push firmly into position.

**Note** : Ensure the fixing holes in stretchers **5** are facing down.

Secure small stretchers using screws **C**.



## Step 2

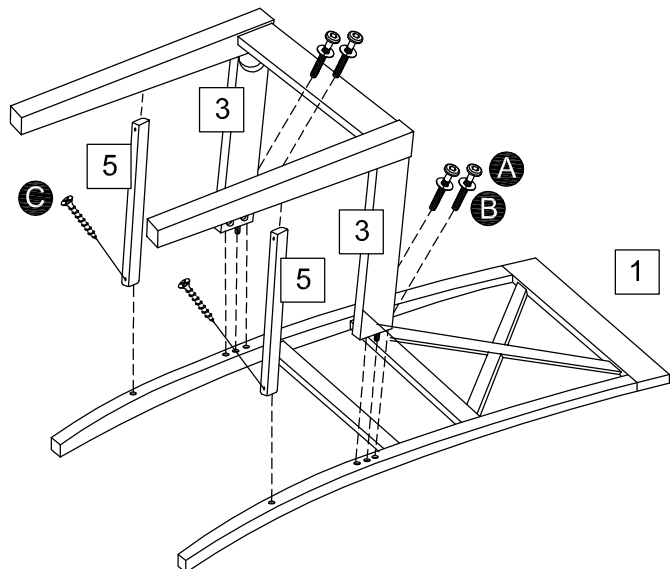
### Attaching Back rest

Lay back rest **1** flat on the floor with the fixing holes facing up.

Carefully align the seat supports **3** and stretchers **5** with the holes in back rest **1**.

Secure using fixings **A** and **B** for the seat supports and screws **C** for the stretchers **5**.

**Note** : Do not fully tighten bolts at this stage.



# Assembly Instructions

## Step 3

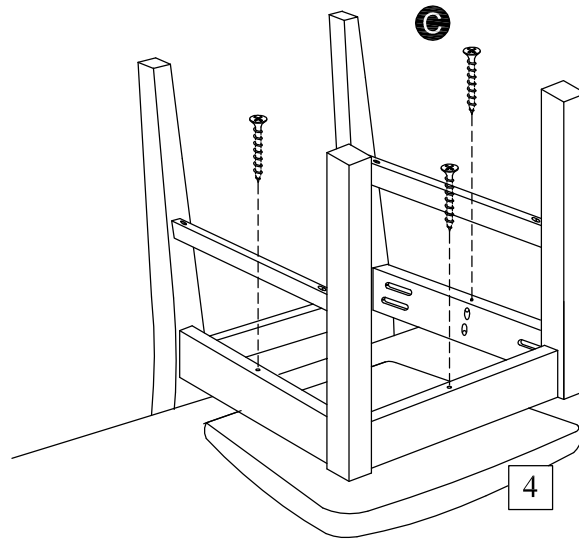
### Assembling Seat Pad

Place seat pad **4** upside down on a stable flat surface (i.e edge of table).

Turn chair frame upside down and locate onto seat pad **4**.

Adjust chair frame until it is correctly aligned with the seat pad **4**.

Secure using screws **C**.



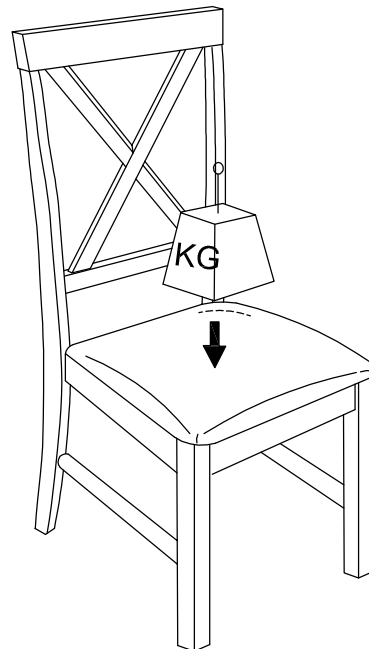
## Step 4

### Completing Assembly

Turn chair upright and place on a level surface.

Whilst applying a firm downward pressure to the seat, tighten all bolts.

**Assembly is complete.**



If you need help or have damaged or missing parts, call the **Customer Helpline : 0345 640 0800**  
Home Retail Group, 489-499 Avebury Boulevard, Saxon Gate West. Central Milton Keynes  
MK9 2NW