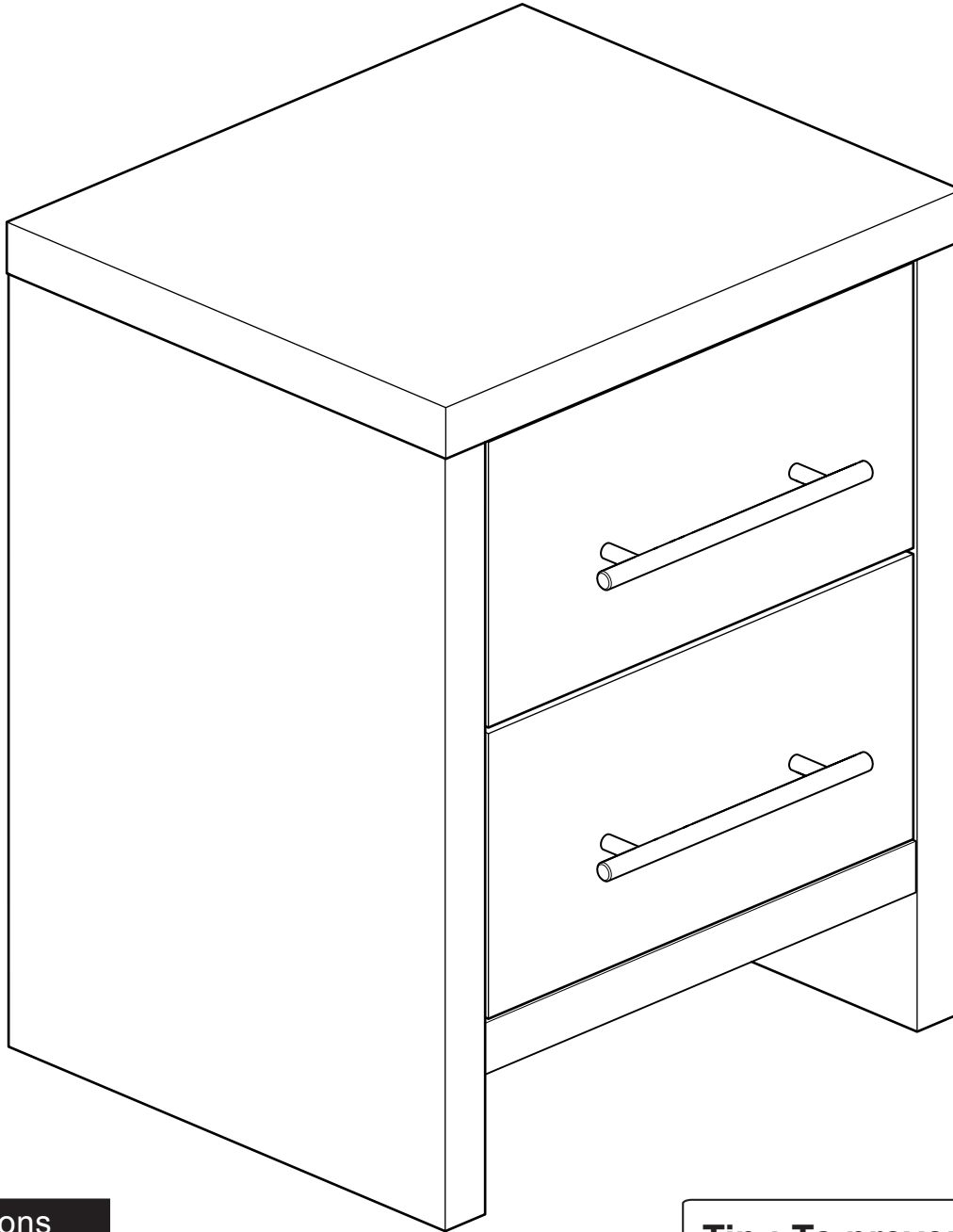


Washington - 02BS

Assembly Instructions - Please keep for future reference

392/3342

427/1433



Dimensions

Width - 43.8cm

Depth - 37.3cm

Height - 54.7cm

392/3342 SMOKEY OAK
427/1433 WARM OAK

Tip : To prevent damage, we recommend that you build your unit on the carton(s) it was packed in.

Important – Please read these instructions fully before starting assembly

If you need help or have damaged or missing parts, please visit: www.argos-support.co.uk or email: Help@ClickSpares.co.uk (quoting your original order number)

Alternatively, call the Spares Helpline on: **0370 112 1928**

For any other queries please contact the Customer Helpline on: **0345 640 2020**





Safety and Care Advice

Important – Please read these instructions fully before starting assembly

- Check you have all the components and tools listed on the following pages.
- Remove all fittings from the plastic bags and separate them into their groups.
- Keep children and animals away from the work area, small parts could choke if swallowed.
- Make sure you have enough space to layout the parts before starting.
- Do not stand or put weight on the product, this could cause damage.
- Assemble the item as close to its final position (in the same room) as possible.
- Assemble on a soft level surface to avoid damaging the unit or your floor.
- Parts of the assembly will be easier with 2 people.



- We do not recommend the use of power drill/ drivers **for inserting screws**, as this could damage the unit. Only use hand screwdrivers.
- Dispose of all packaging carefully and responsibly.

Glue safety - Take care when using glue, please follow the advice below•

Skin contact: Remove contamination by washing with soap and water. This procedure should also be followed prior to eating and drinking.

Eye contact: Rinse immediately with clean water for 15 minutes and seek medical advice.

If swallowed: Seek medical advice immediately.

Care and maintenance

- Only clean using a damp cloth and mild detergent, do not use bleach or abrasive cleaners.
- From time to time check that there are no loose screws on this unit.
- This product should not be discarded with household waste. Take to your local authority waste disposal centre.

Handy Hints

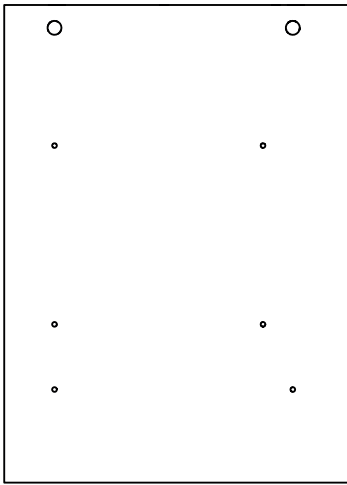
- Assemble all parts and bolts loosely during assembly, only once the product is complete should you fully tighten the bolts
- Regularly check and ensure that all bolts and fittings are tightened properly.

Note: if required the next page can be cut out and used as reference throughout the assembly. Keep this page with these instructions for future reference.

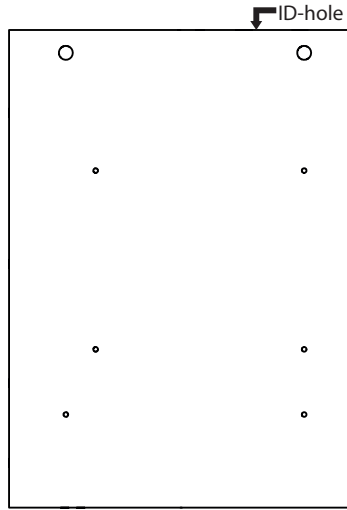
Components - Panels

For damaged or missing parts, please visit:
www.argos-support.co.uk or email: Help@ClickSpares.co.uk

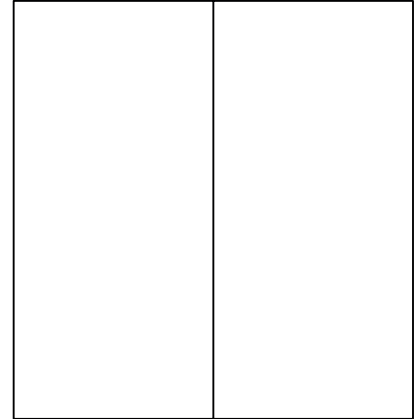
Please check you have all the panels listed below



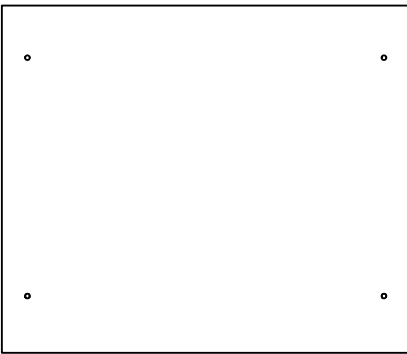
1 Left side
(37.1 x 51.3cm)
P2018



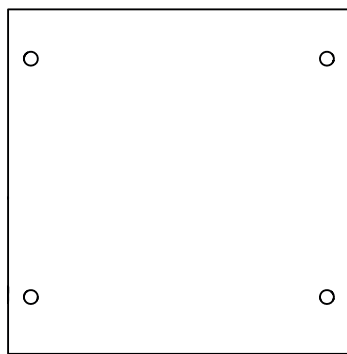
2 Right side
(37.1 x 51.3cm)
P2093



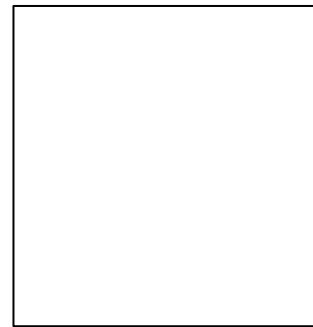
3 Foldy back
(42.9 x 44.9cm)
B03609



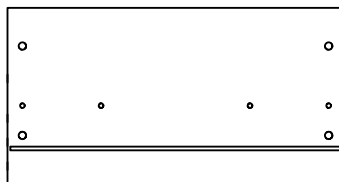
4 Top
(43.8 x 37.3cm)
P1830



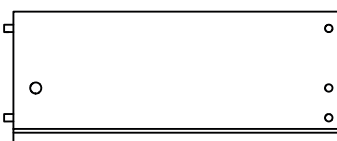
5 Bottom
(36.7 x 37cm)
P1831



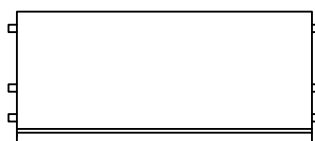
6 Drawer bottom x 2
(32.8 x 34.4cm)
B03607



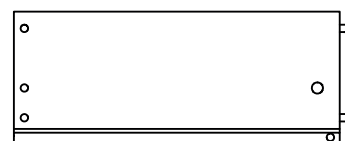
7 Drawer front x 2
(36.1 x 18.9cm)
P4648



8 Left drawer x 2
(35 x 14cm)
LA1614



9 Drawer back x 2
(317 x 14cm)
LA1618



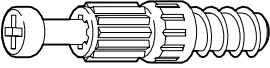




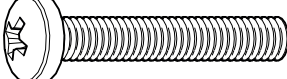
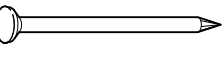
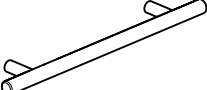
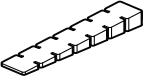


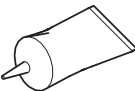

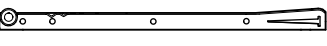

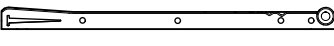
10 Right drawer x 2
(35 x 14cm)
LA1615

Components - Fittings

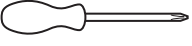
For damaged or missing parts, please visit: www.argos-support.co.uk or email: Help@ClickSpares.co.uk


Please check you have all the fittings listed below


Note: The quantities below are the correct amount to complete the assembly. In some cases more fittings may be supplied than are required.

<p>A  FK1011 Locking screw x 12 (5x24mm)</p>	<p>B  FK1010 Locking nut x 4 (12x10mm)</p>	<p>C  FK1012 Large locking nut x 8 (15x12mm)</p>
<p>D  FK1301 Fixing screw drawer x 24 (6.3x10mm)</p>	<p>E  FK1311 Screw x 28 (3x15mm)</p>	<p>F  FK1985 Screw x 4 (4x25mm)</p>
<p>G  FK1515 Nail x 12</p>	<p>H  GR1855 Drawer handle x 2</p>	<p>I  FK1234 Peg, brown x 1</p>
<p>J  FK1250 Drawer base support x 4</p>	<p>K  FK1415 Nail holder x 1</p>	<p>L  FA1510 Glue x 1</p>
<p>M  PM1515 LA Runner left part A x 2</p>	<p>N  PM1515 LB Runner left part B x 2</p>	<p>O  PM1515 RA Runner right part A x 2</p>
<p>P  PM1515 RB Runner right part B x 2</p>		


Tools required

 Phillips screwdriver (medium & large)

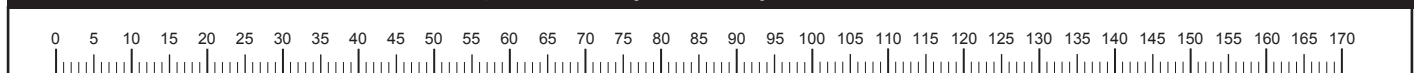
 Flatblade screwdriver (medium)

 Small hammer

 Ruler/tape measure

 Eye protection (when using a hammer or glue)

Ruler - Use this ruler to help correctly identify the screws



The screws length is measured from the head to the point (30mm screw shown).

Assembly Instructions

Step 1

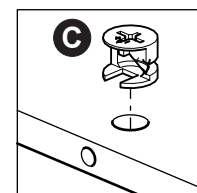
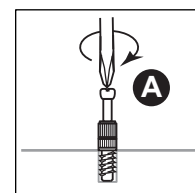
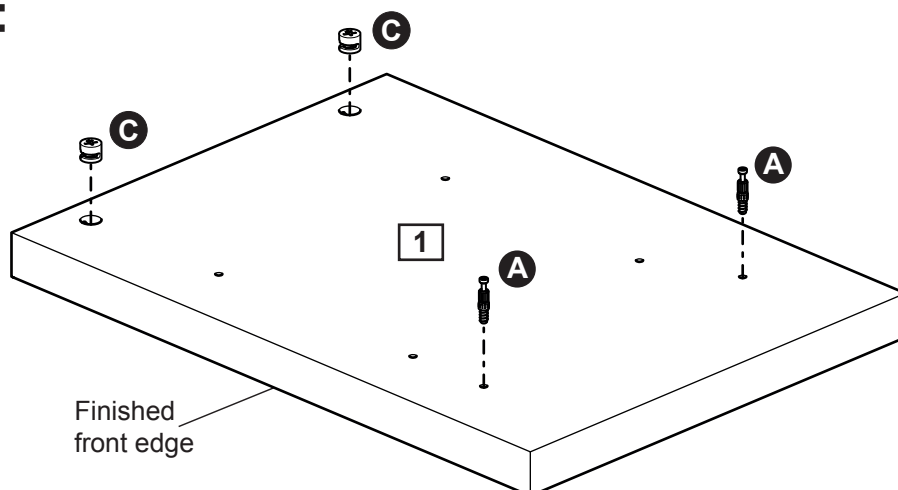
a: Screw 24mm locking screw **A** into left side **1**.

Note: Insert 24mm locking screw **A** as far as shown. **Do not over tighten.**

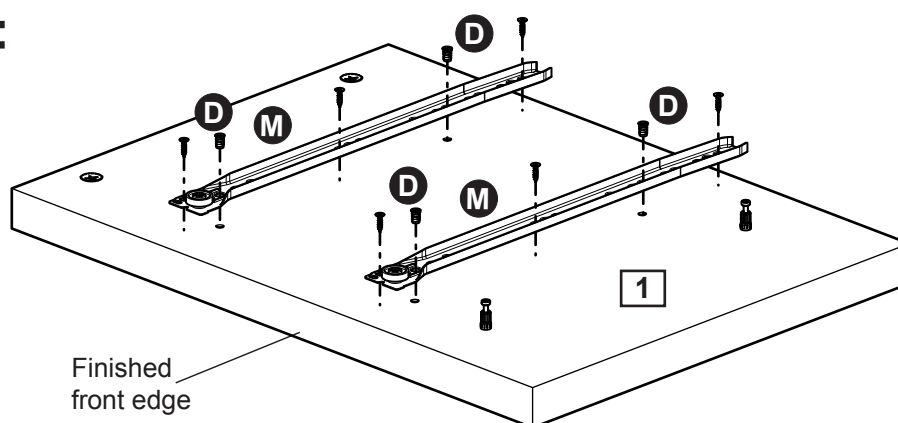
Insert large locking nuts **C** into left side **1**.

Make sure the 'arrow' on locking nuts **C** points towards the hole in the edge of left side **1**.

a:



b:

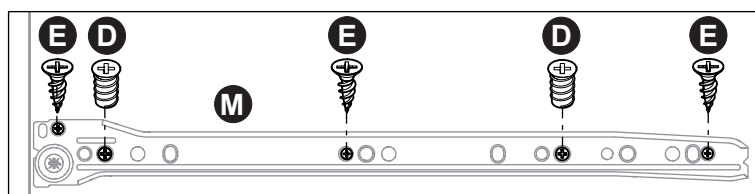


Attaching runners

b: Fix runner left part **A** (**M**) on left side **1** as shown using fixing screw **D** into left side **1**.

Note: look careful for the right position.

Insert 15mm screw **E** as shown into left side **1** to fix runner left part **A** (**M**).



Assembly Instructions

Step 2

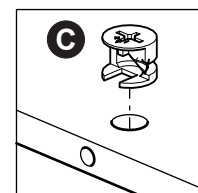
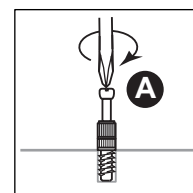
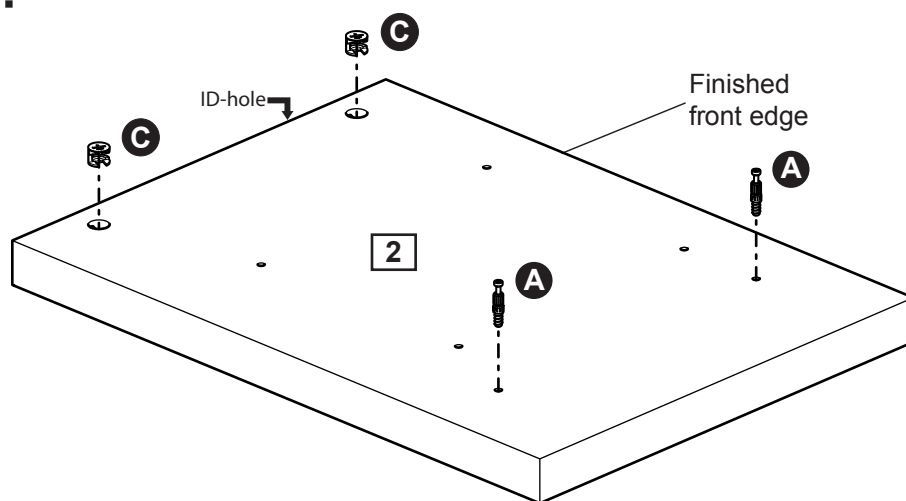
a: Screw 24mm locking screw **A** into right side **2**.

Note: Insert 24mm locking screw **A** as far as shown. **Do not over tighten.**

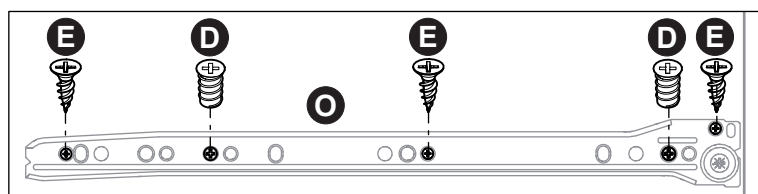
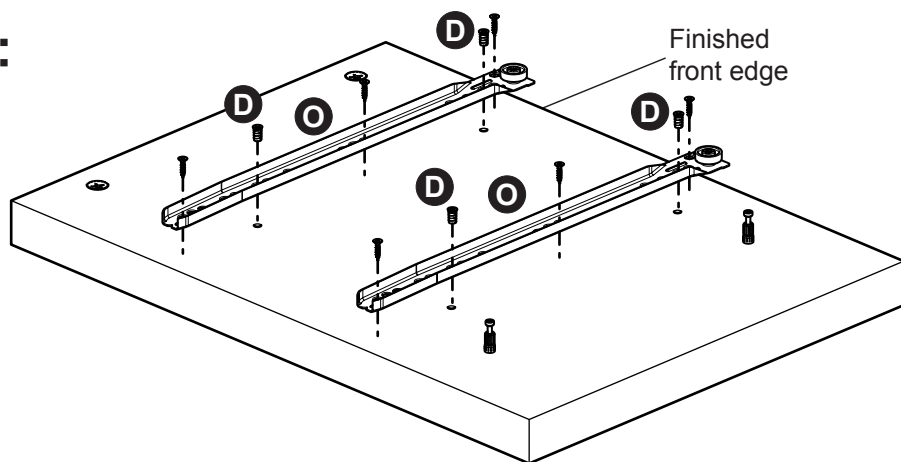
Insert large locking nuts **C** into right side **2**.

Make sure the 'arrow' on locking nuts **C** points towards the hole in the edge of right side **2**.

a:



b:

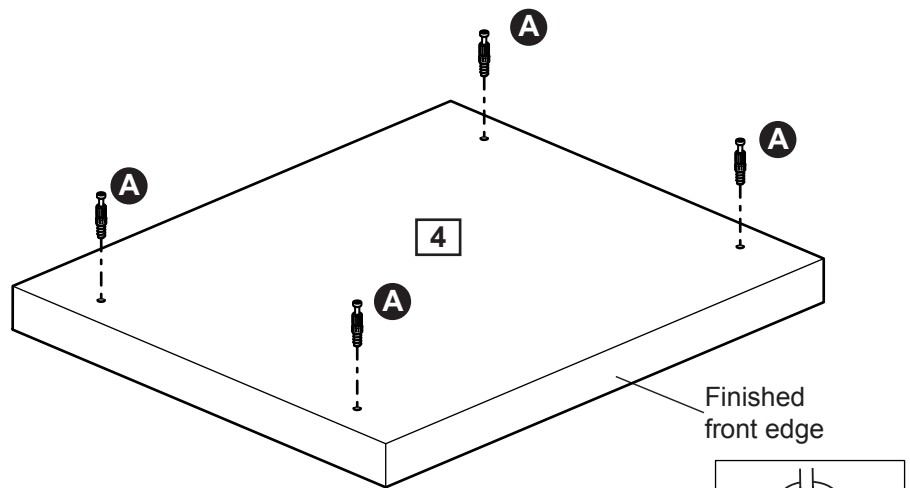


Assembly Instructions

Step 3

Screw 24mm locking screw **A** into top **4**.

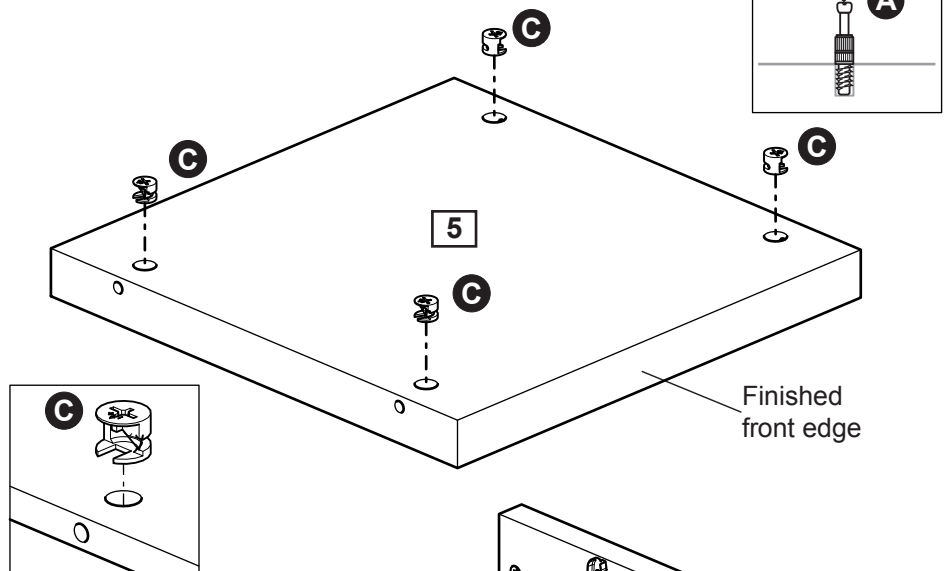
Note: Insert 24mm locking screw **A** as far as shown. **Do not over tighten.**



Step 4

Insert large locking nuts **C** into bottom **5**.

Make sure the 'arrow' on locking nuts **C** points towards the hole in the edge of bottom **5**.

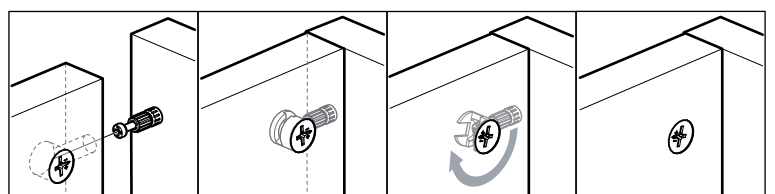
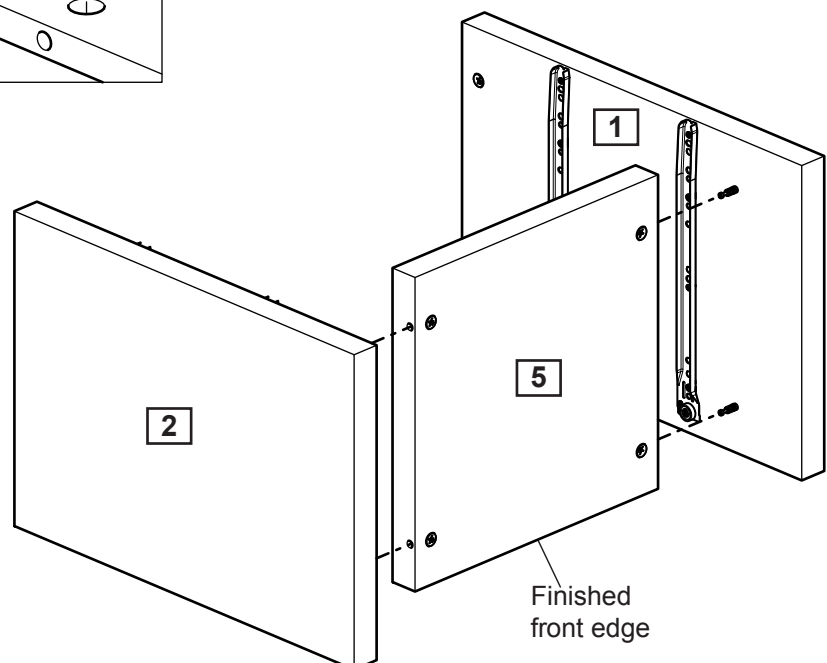


Step 5

Attaching panels

Position left side **1** and right side **2** onto bottom **5**.

Use a screwdriver to turn locking nuts **C** clockwise to lock.



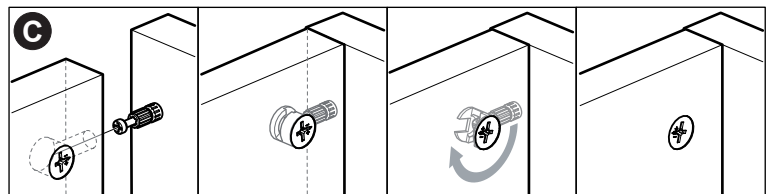
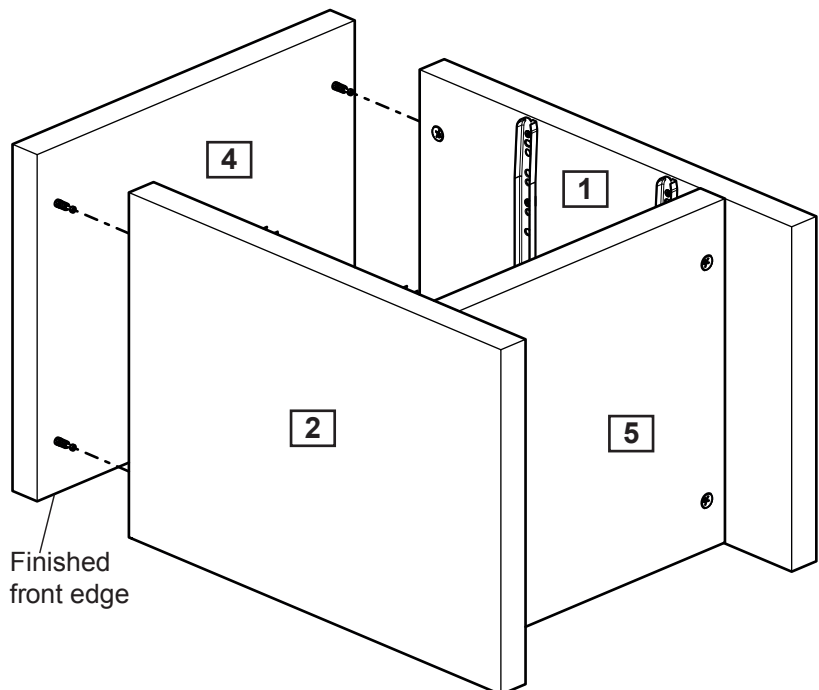
Assembly Instructions

Step 6

Attaching panels

Position top **4** onto left side **1** and right side **2**.

Use a screwdriver to turn locking nuts **C** clockwise to lock.



Step 7

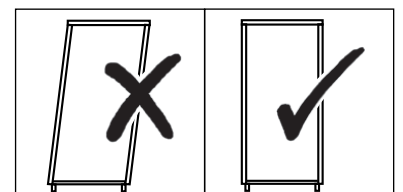
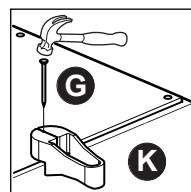
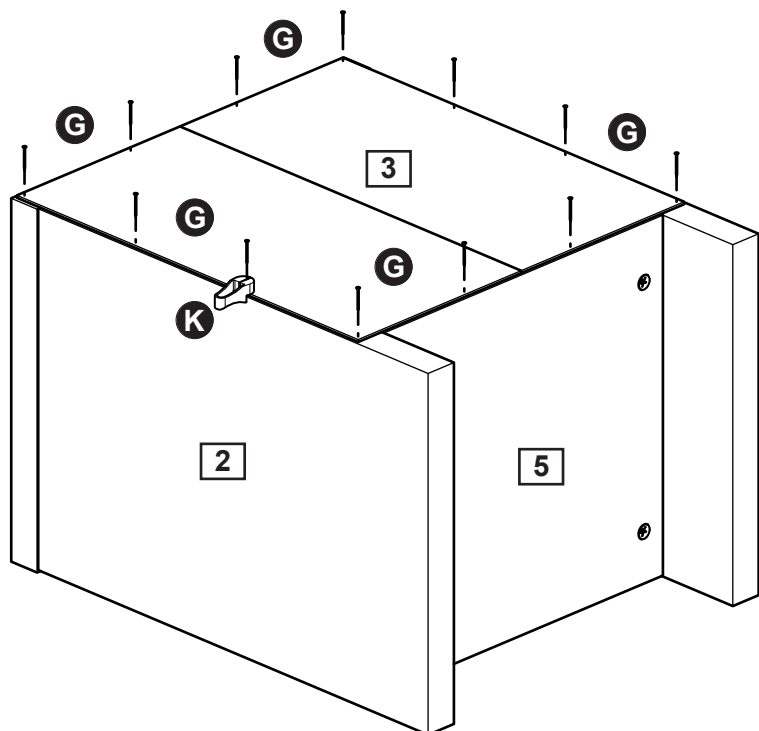
Fitting back panel

Attach foldy back **3** to the back with the coloured surface facing the inside using nails **G**.

Use nail holder **K** to hold the nails **G** vertical and at correct distance as you secure the foldy back **3**. Nails **G** should be spaced about 150mm apart.



Important:
Furniture **MUST** be 'square' when back is attached.



Assembly Instructions

Step 8

Preparing drawer

Insert locking nuts **B** into left drawer side **8** and right drawer side **10**.

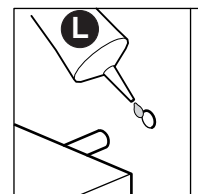
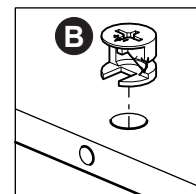
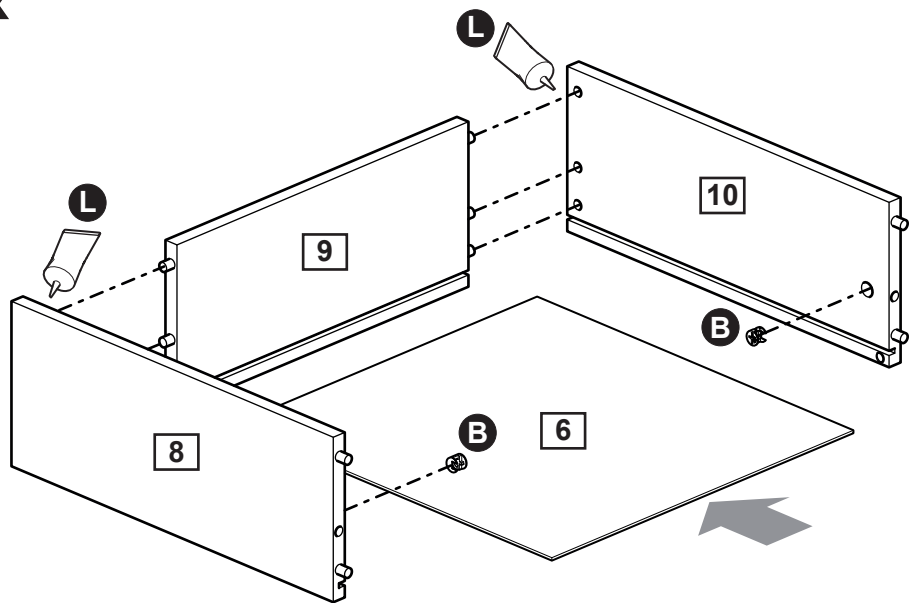
Make sure the 'arrow' on locking nuts **B** points towards the hole in the edge of **8** and **10**.

Put drop of glue **Q** into the 3 holes of left drawer side **8** and right drawer side **10**.

Attach left drawer side **8** and right drawer side **10** onto drawer back **9**.

Insert drawer bottom **6**.

2x

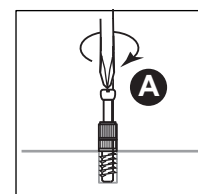
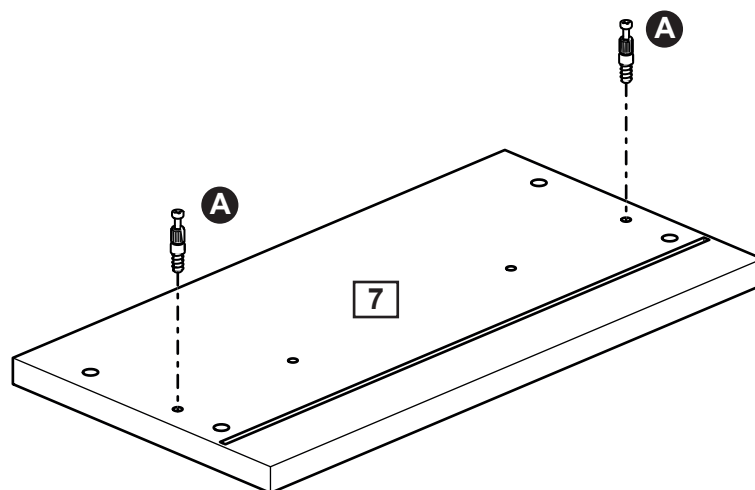


Step 9

Screw 24mm locking screw **A** into drawer front **7**.

Note: Insert 24mm locking screw **A** as far as shown. **Do not over tighten.**

2x



Assembly Instructions

Step 10

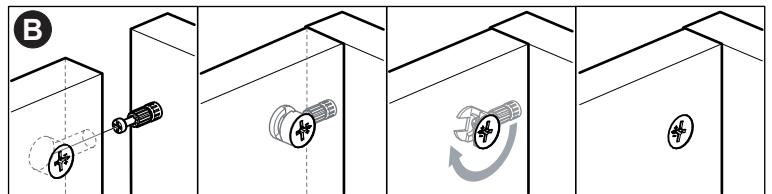
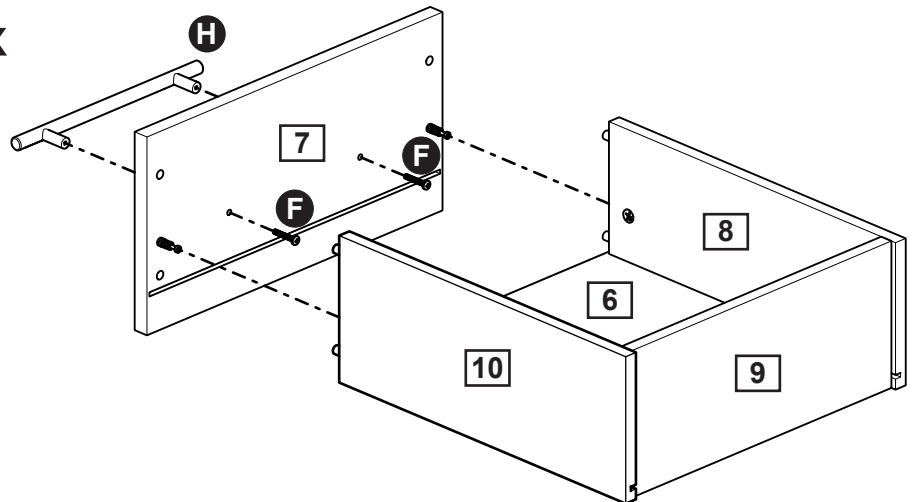
Position drawer front **7** onto drawer.

Use a screwdriver to turn locking nuts **B** clockwise to lock.

Note: look carefully to the positions of drawer front **7**.

Fix drawer handle **H** onto drawer front **7** using screw **F**.

2x



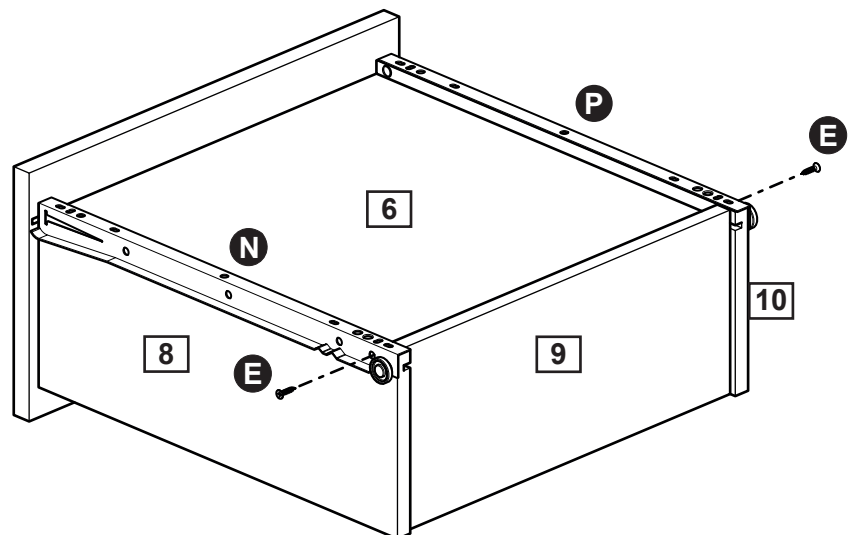
Step 11

a: Turn over drawer.

Fix runner left part B **N** on left drawer side **8** as shown using screw **E**.

Fix runner right part B **P** on right drawer side **10** as shown using screw **E**.

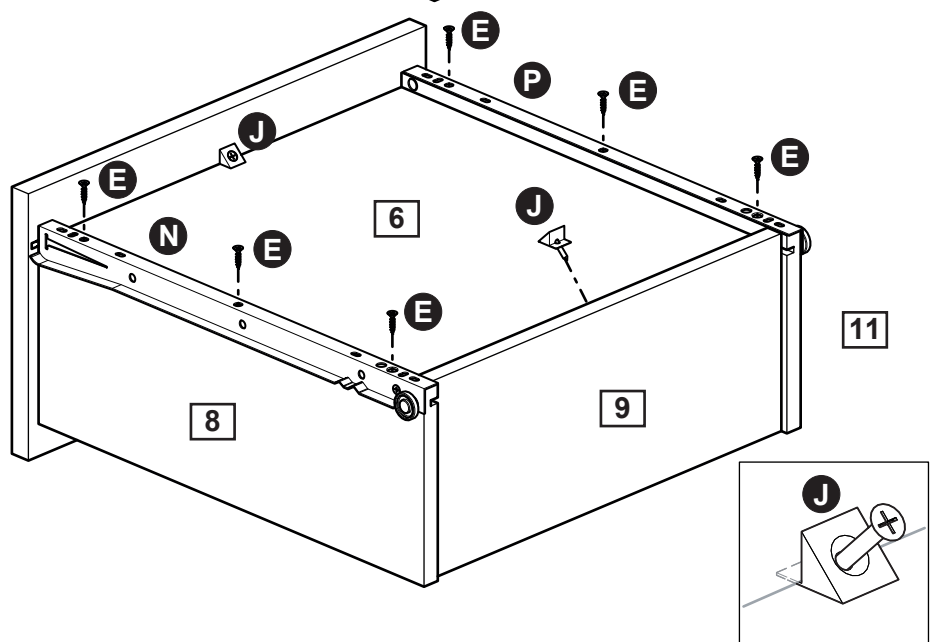
a:
2x



b: Fix runner left part B **N** and runner right part B **P** using screw **E**.

Slide drawer base support **J** in corner as shown and fix them, using the attached screw.

b:
2x



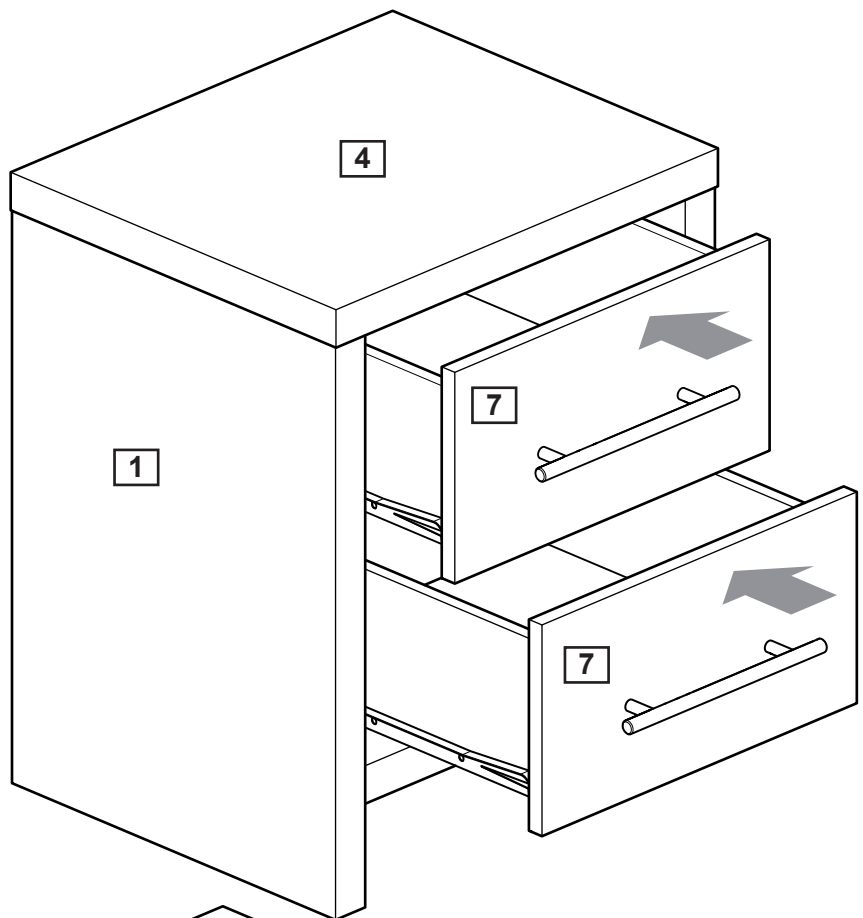
Assembly Instructions

Step 12

Inserting drawers

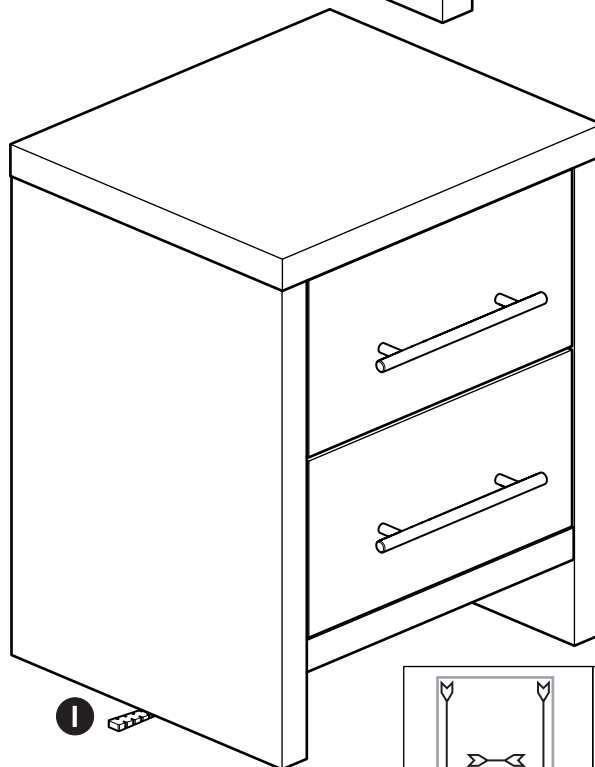
as shown.

For adjusting the drawers see 'adjustment' on page 'drawer adjustment'.

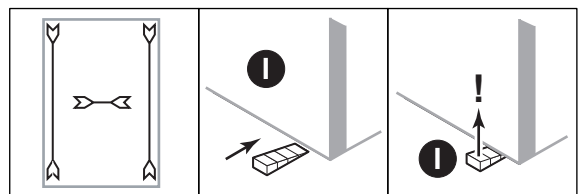


Step 13

Use peg ❶ to square your furniture. Knock peg ❶ in, as far as you require, under the end of the side of the furniture. Then snap off flush with the side.



Assembly is complete.



If you need help or have damaged or missing parts, call the **Customer Helpline:**
Argos 03456 400 800

A Guide to - Drawer adjustment

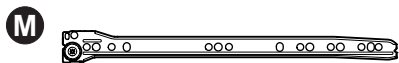
Adjustment

Note: Each drawer can be adjusted for approximately 1mm up or down on each side of the drawer.

Remove drawer, adjust the wheel from runner left part A and runner right part A as shown.

Insert drawer.

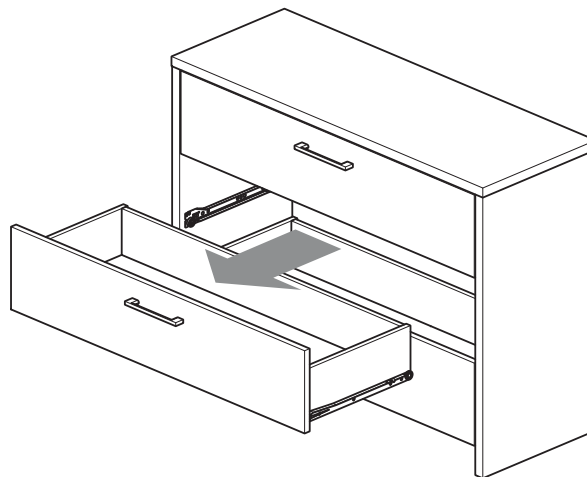
Repeat above steps until the desired result is achieved.



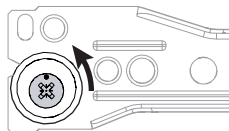
Runner left part A x 2



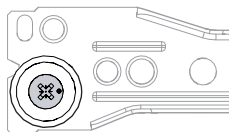
Runner right part A x 2



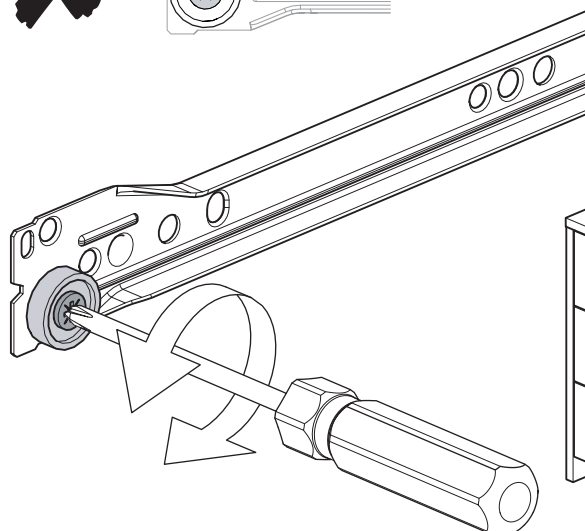
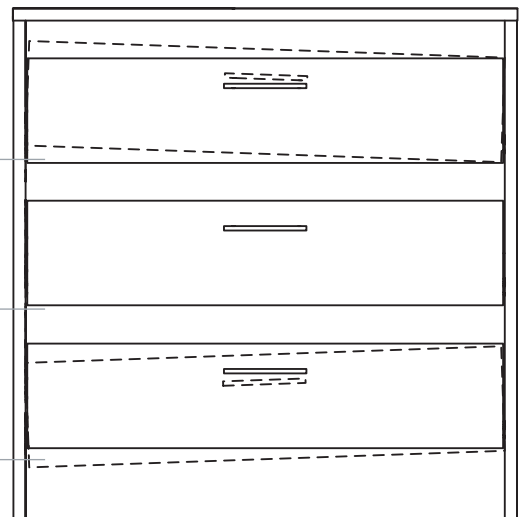
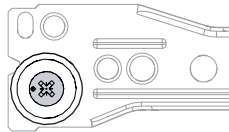
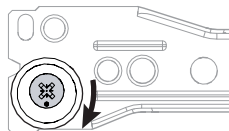
+1 mm ↑



0



-1 mm ↓

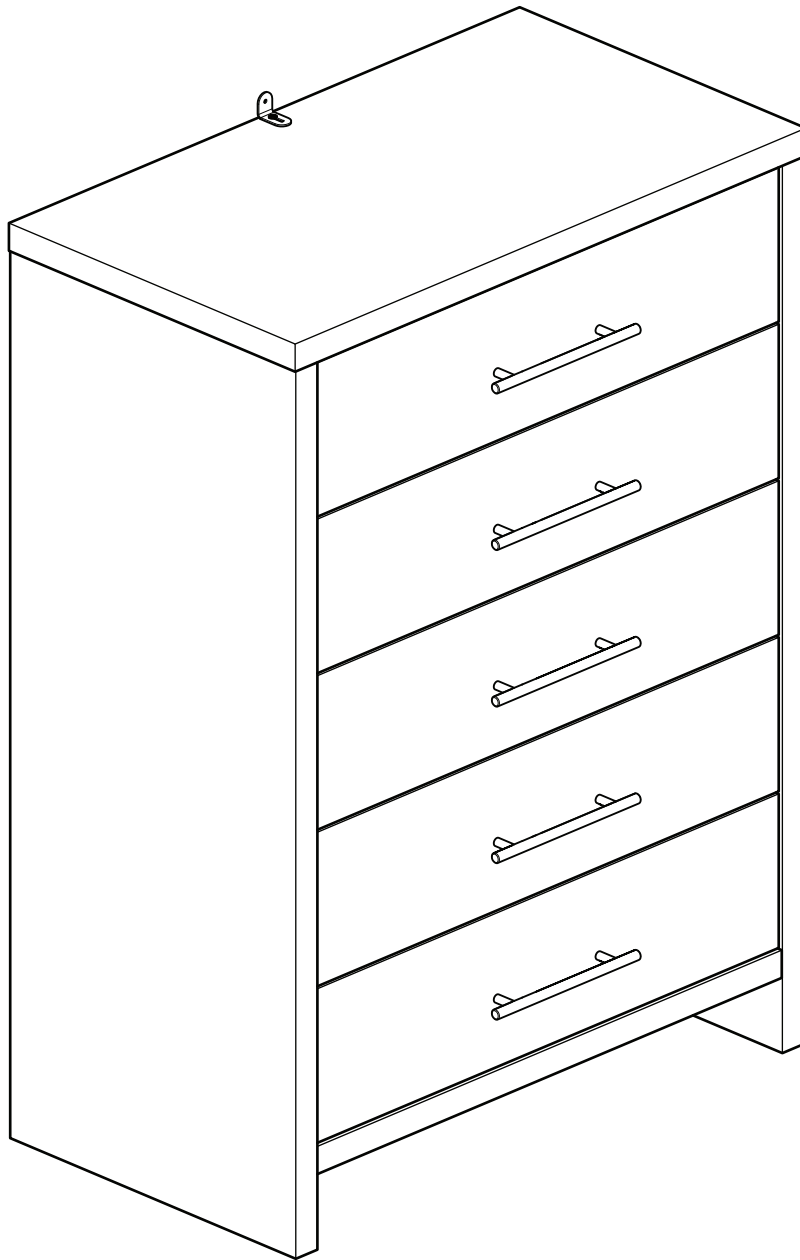


Washington - 5drw

Assembly Instructions - Please keep for future reference

425/8425

414/1673



Dimensions

Width - 80.3cm

Depth - 45cm

Height - 112.3cm

425/8425 SMOKEY OAK
414/1673 WARM OAK

**Tip : To prevent damage,
we recommend that you
build your unit on the
carton(s) it was packed in.**

Important – Please read these instructions fully before starting assembly

If you need help or have damaged or missing parts, please visit: www.argos-support.co.uk
or email: Help@ClickSpares.co.uk (quoting your original order number)

Alternatively, call the Spares Helpline on: **0370 112 1928**

For any other queries please contact the Customer Helpline on: **0345 640 2020**





Safety and Care Advice

Important – Please read these instructions fully before starting assembly

- Check you have all the components and tools listed on the following pages.
- Remove all fittings from the plastic bags and separate them into their groups.
- Keep children and animals away from the work area, small parts could choke if swallowed.
- Make sure you have enough space to layout the parts before starting.

- Do not stand or put weight on the product, this could cause damage.
- Assemble the item as close to its final position (in the same room) as possible.
- Assemble on a soft level surface to avoid damaging the unit or your floor.
- Parts of the assembly will be easier with 2 people.



- We do not recommend the use of power drill/ drivers **for inserting screws**, as this could damage the unit. Only use hand screwdrivers.
- Dispose of all packaging carefully and responsibly.

Glue safety - Take care when using glue, please follow the advice below•

Skin contact: Remove contamination by washing with soap and water. This procedure should also be followed prior to eating and drinking.

Eye contact: Rinse immediately with clean water for 15 minutes and seek medical advice.

If swallowed: Seek medical advice immediately.

Care and maintenance

• Only clean using a damp cloth and mild detergent, do not use bleach or abrasive cleaners.

• From time to time check that there are no loose screws on this unit.

• This product should not be discarded with household waste. Take to your local authority waste disposal centre.

Handy Hints

• Assemble all parts and bolts loosely during assembly, only once the product is complete should you fully tighten the bolts

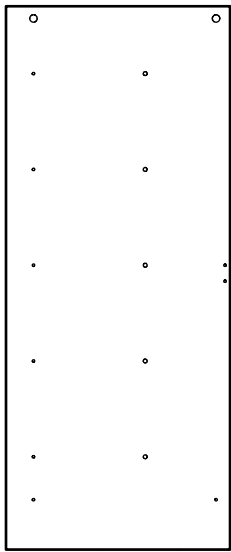
• Regularly check and ensure that all bolts and fittings are tightened properly.

Note: if required the next page can be cut out and used as reference throughout the assembly. Keep this page with these instructions for future reference.

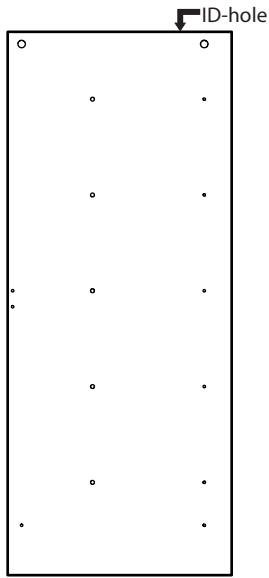
Components - Panels

For damaged or missing parts, please visit:
www.argos-support.co.uk or email: Help@ClickSpares.co.uk

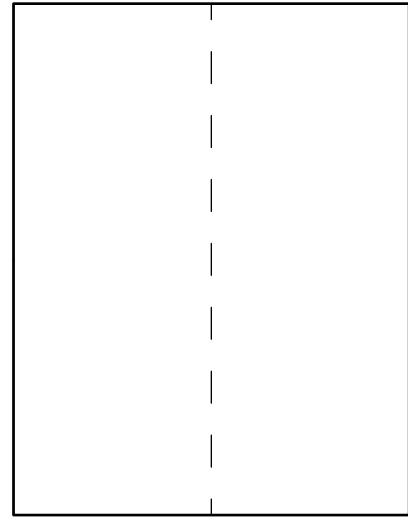
Please check you have all the panels listed below



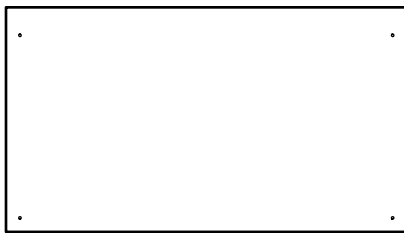
1 Left side
(44.9 x 108.9cm)
P8318



2 Right side
(44.9 x 108.9cm)
P8317



3 Foldy back
(79.3 x 102.5cm)
B02569



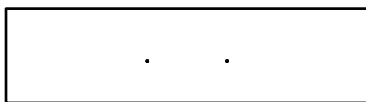
4 Top
(80.3 x 45cm)
P8503



5 Bottom
(73.1 x 44.8cm)
P8113



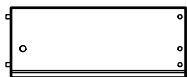
6 Drawer bottom x 5
(69.3 x 34.3cm)
B02760



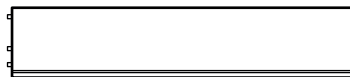
7 Drawer front x 5
(72.6 x 18.9cm)
P4116



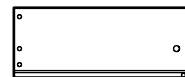
8 Plinth back
(73.1 x 9.2cm)
P6109



9 Left drawer side x 5
(35 x 14cm)
LA1614



10 Drawer back x 5
(68.2 x 14cm)
LA1649



11 Right drawer side x 5
(35 x 14cm)
LA1615

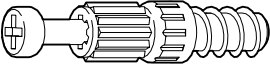




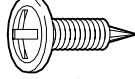
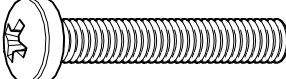
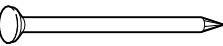
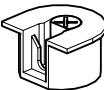


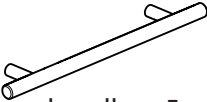
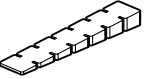





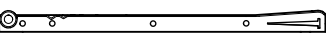

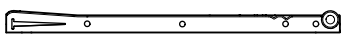
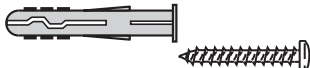


Components - Fittings

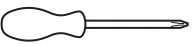
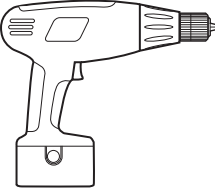

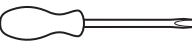

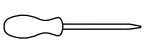

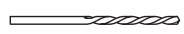
For damaged or missing parts, please visit: www.argos-support.co.uk or email: Help@ClickSpares.co.uk

Please check you have all the fittings listed below

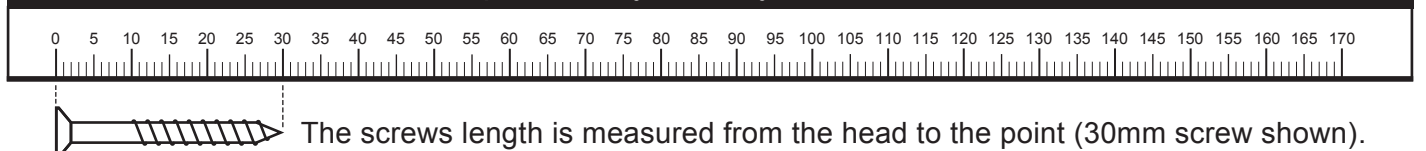
Note: The quantities below are the correct amount to complete the assembly. In some cases more fittings may be supplied than are required.

A  Locking screw x 18 (5x24mm)	B  Locking nut x 10 (12x10mm)	C  Large locking nut x 8 (15x12mm)
D  Fixing screw drawer x 24 (6.3x10mm)	E  Screw x 70 (3x15mm)	F  Screw x 1 (4x15mm)
G  Screw x 10 (4x25mm)	H  Nail x 28	I  Expando housing x 4 (20x12mm)
J  Locking screw x 4 (5x11mm)	K  L-Bracket x 1	L  Drawer handle x 5
M  Peg, brown x 1	N  Drawer base support x 30	O  Nail holder x 1
P  Plug, Nylon x 10	Q  Glue x 1	R  Runner left part A x 5
S  Runner left part B x 5	T  Runner right part A x 5	U  Runner right part B x 5
V  Wall plug (6mm) and parkerscrew x 1		

Tools required

	Phillips screwdriver (medium & large)			Small hammer
	Flatblade screwdriver (medium)			Ruler/tape measure
	Piercer (small)			Eye protection (when using a hammer or glue)
	7mm Suitable drill bit (for use with wall plug)			

Ruler - Use this ruler to help correctly identify the screws



Assembly Instructions

Step 1

a: Screw 24mm locking screw **A** into left side **1**.

Note: Insert 24mm locking screw **A** as far as shown.
Do not over tighten.

Insert large locking nuts **C** into left side **1**.

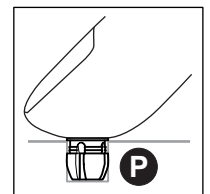
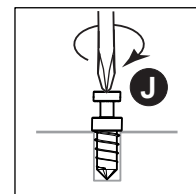
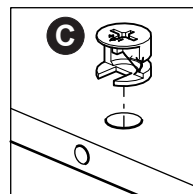
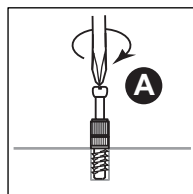
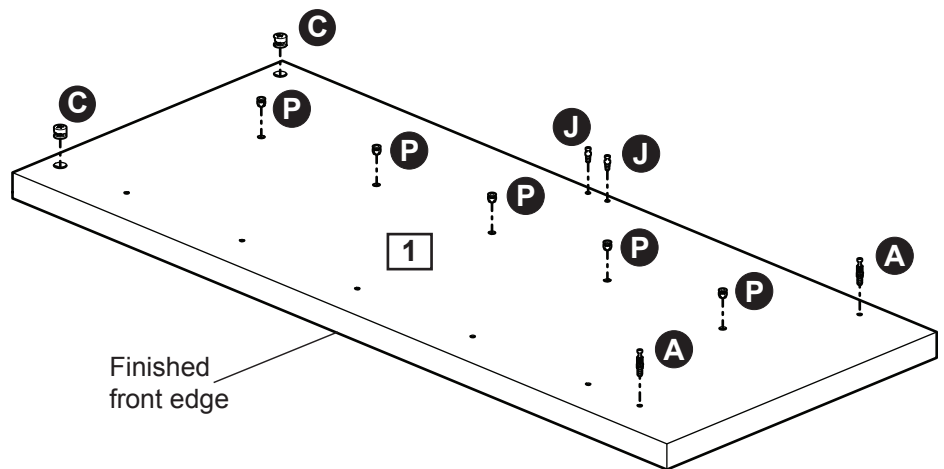
Make sure the 'arrow' on locking nuts **C** points towards the hole in the edge of left side **1**.

Screw 11mm locking screw **J** into left side **1**.

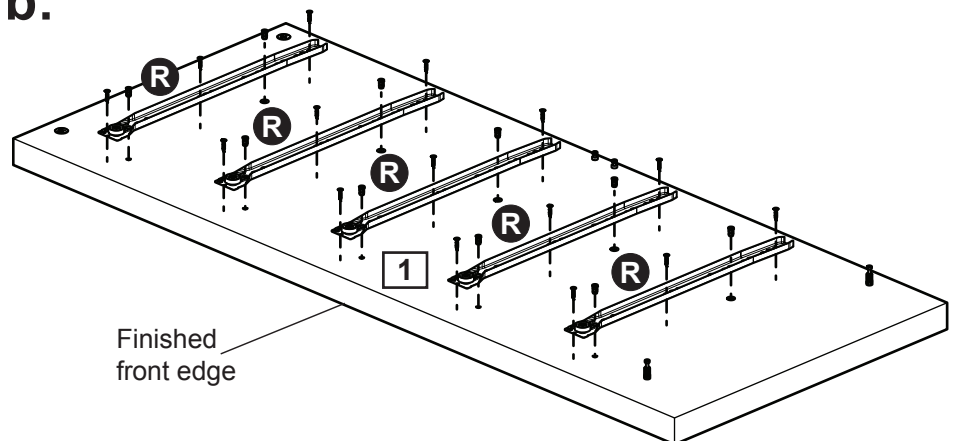
Note: Insert 11mm locking screw **J** as far as shown.
Do not over tighten.

Press the Nylon plug **P** firmly into left side **1**.

a:



b:

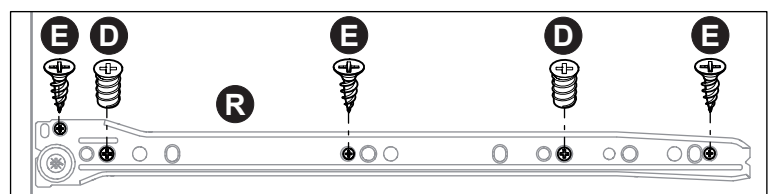


Attaching runners

b: Fix runner left part **A** **R** on left side **1** as shown using fixing screw **D** into left side **1**.

Note: look careful for the right position.

Insert 15mm screw **E** as shown into left side **1** to fix runner left part **A** **R**.



Assembly Instructions

Step 2

a: Screw 24mm locking screw **A** into right side **2**.

Note: Insert 24mm locking screw **A** as far as shown. **Do not over tighten.**

Insert large locking nuts **C** into right side **2**.

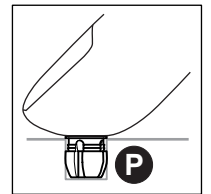
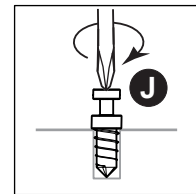
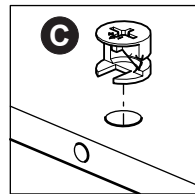
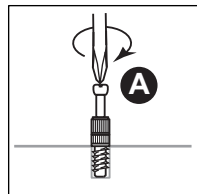
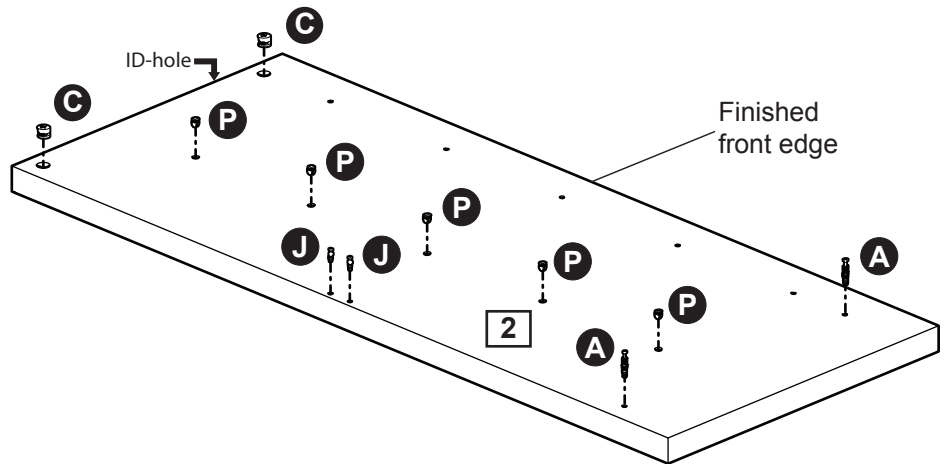
Make sure the 'arrow' on locking nuts **C** points towards the hole in the edge of right side **2**.

Screw 11mm locking screw **J** into right side **2**.

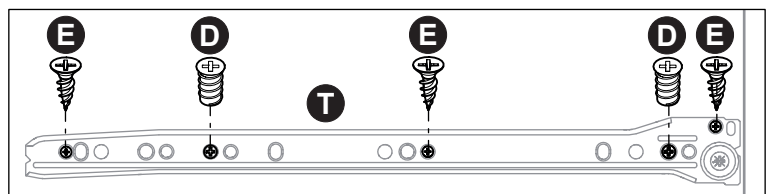
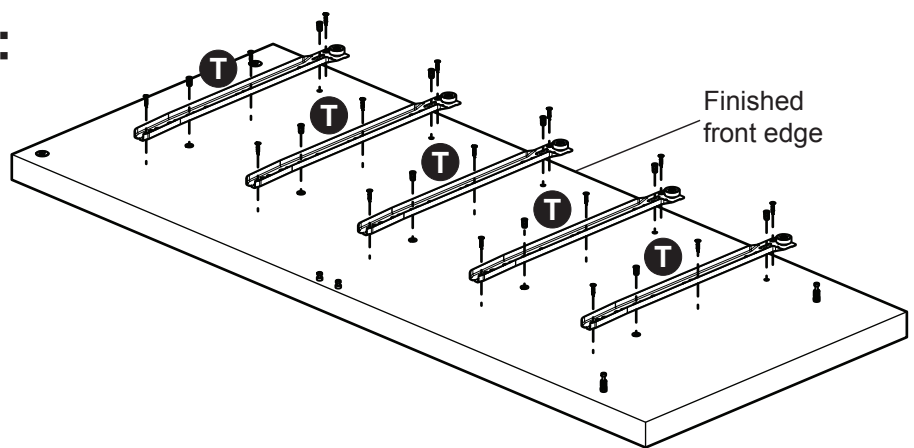
Note: Insert 11mm locking screw **J** as far as shown. **Do not over tighten.**

Press the Nylon plug **P** firmly into right side **2**.

a:



b:



Attaching runners

b: Fix runner right part A **T** on right side **2** as shown using fixing screw drawer **D** into right side **2**.

Note: look careful for the right position.

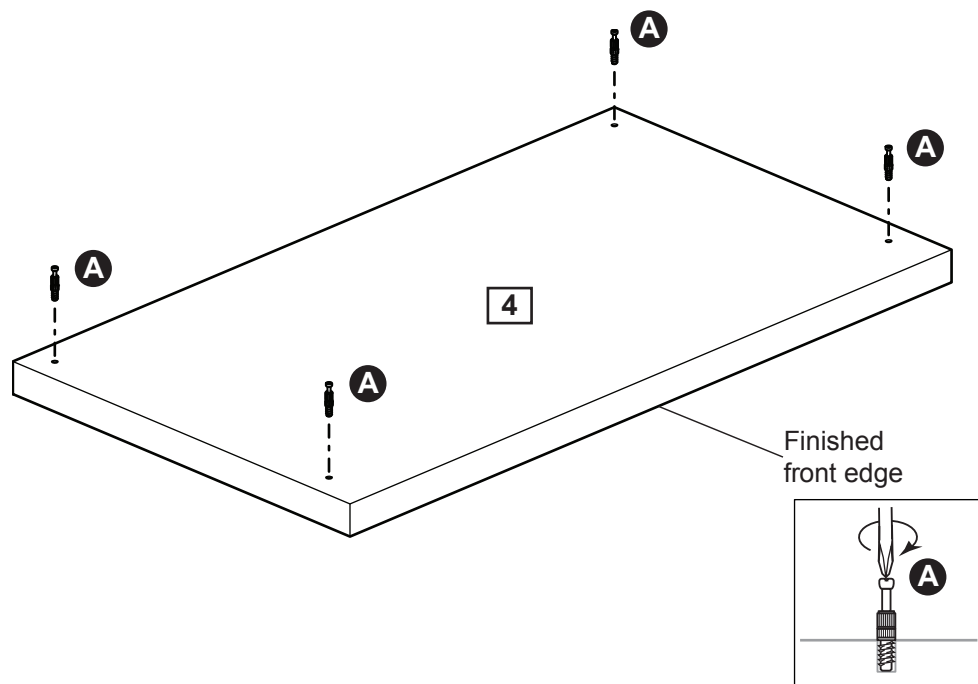
Insert 15mm screw **E** as shown into right side **2** to fix runner right part A **T**.

Assembly Instructions

Step 3

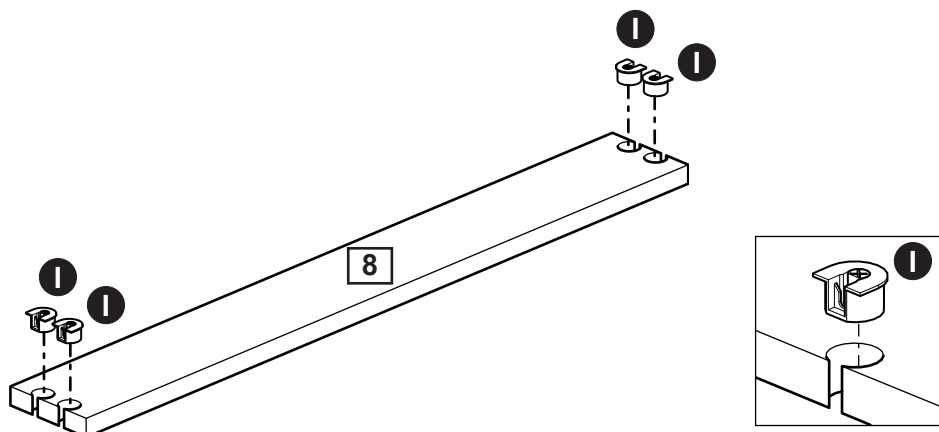
Screw 24mm locking screw **A** into top **4**.

Note: Insert 24mm locking screw **A** as far as shown.
Do not over tighten.



Step 4

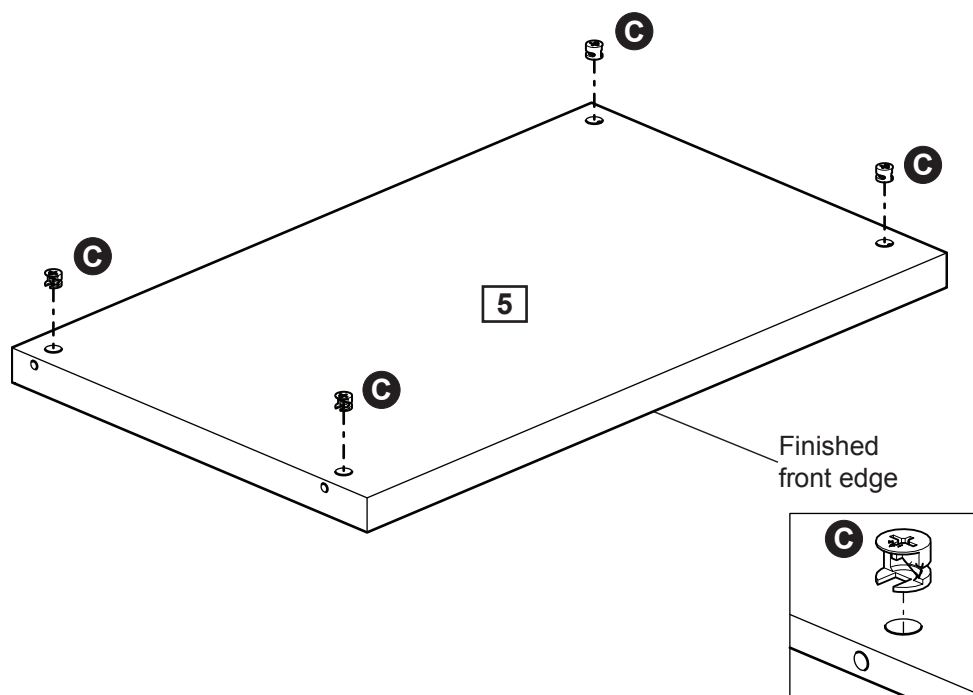
Insert expando housing **I** into Plinth back **8**.



Step 5

Insert large locking nuts **C** into bottom **5**.

Make sure the 'arrow' on locking nuts **C** points towards the hole in the edge of bottom **5**.



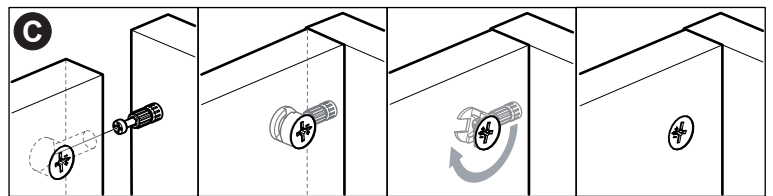
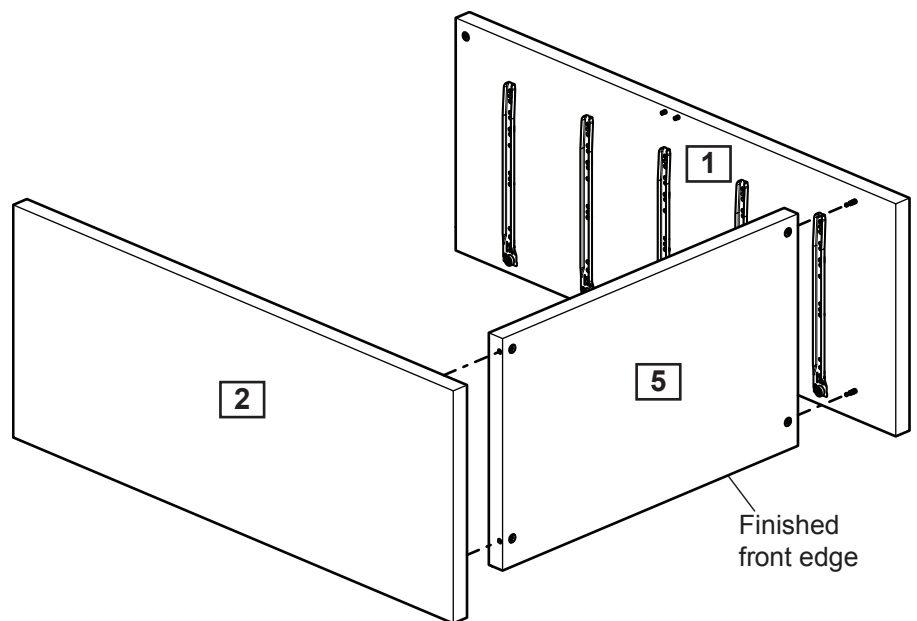
Assembly Instructions

Step 6

Attaching panels

Position left side [1] and right side [2] onto bottom [5].

Use a screwdriver to turn locking nuts **C** clockwise to lock.



Step 7

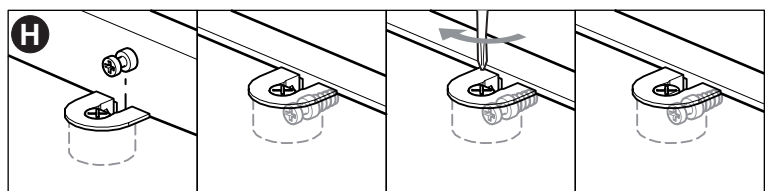
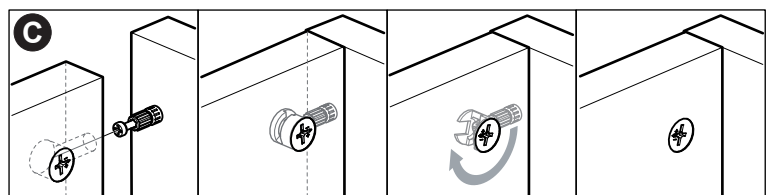
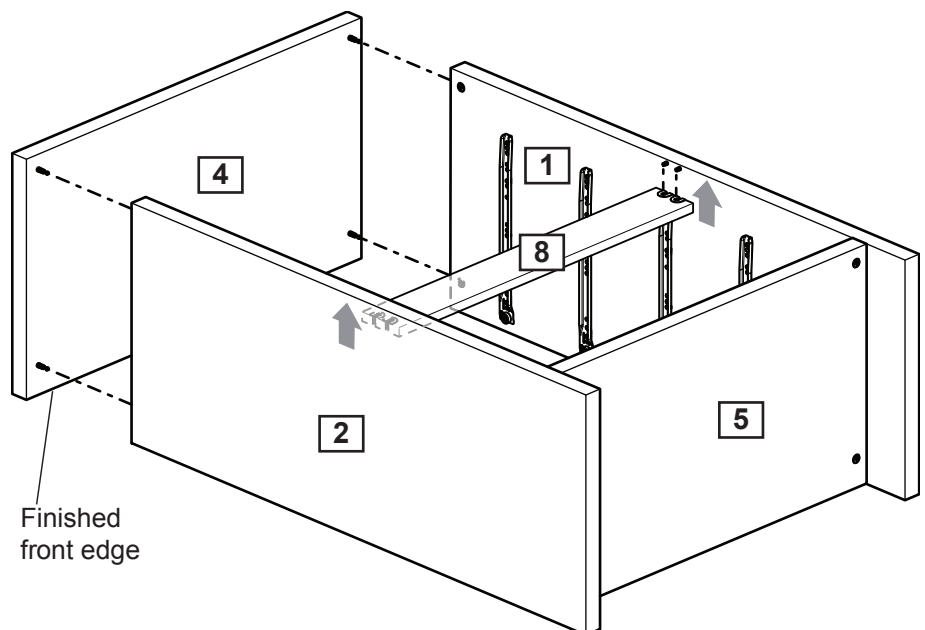
Attaching panels

Position top [4] onto left side [1] and right side [2].

Use a screwdriver to turn locking nuts **C** clockwise to lock.

Position plinth back [8] onto left side [1] and right side [2].

Use a screwdriver to turn Expando housing **H** clockwise to lock.



Assembly Instructions

Step 8

Fitting back panel

Attach foldy back **3** to the back with the coloured surface facing the inside using nails **H**.

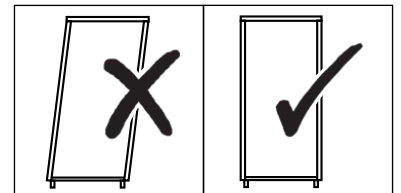
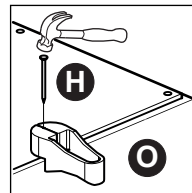
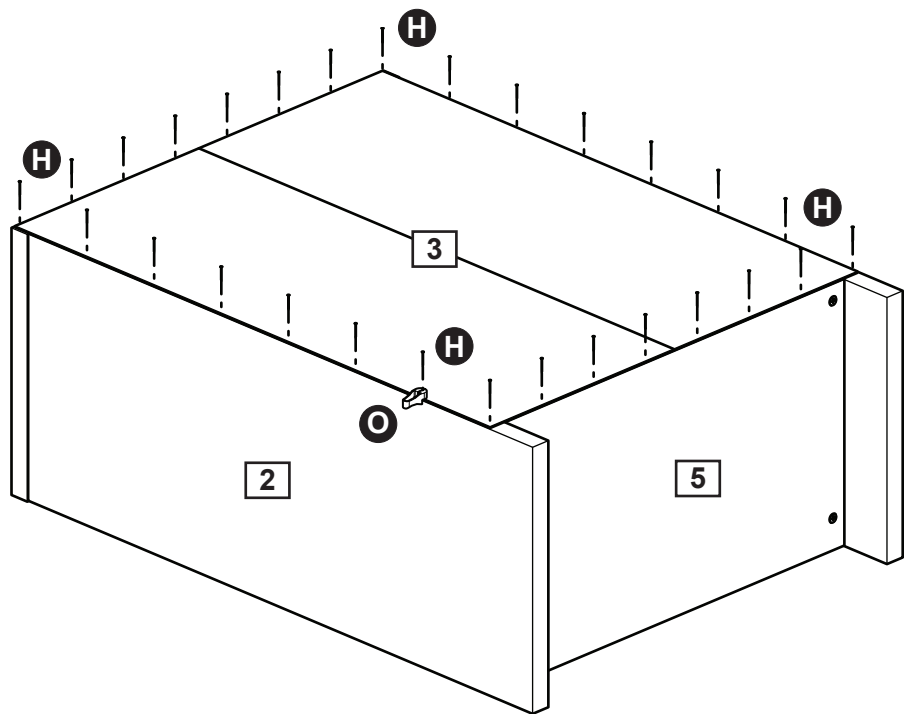
Use nail holder **O** to hold the nails **H** vertical and at correct distance as you secure the foldy back **3**.

Nails **H** should be spaced about 150mm apart.



Important:

Furniture **MUST** be 'square' when back is attached.



Step 9

Preparing drawer

Insert locking nuts **B** into left drawer side **9** and right drawer side **11**.

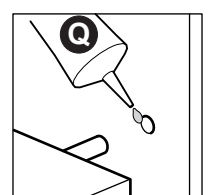
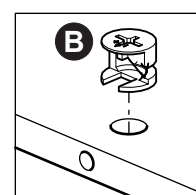
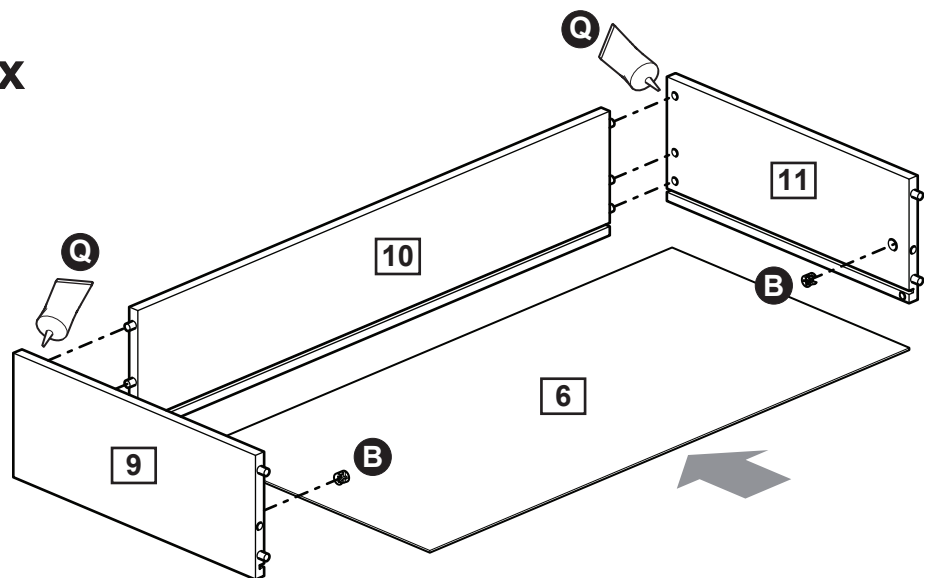
Make sure the 'arrow' on locking nuts **B** points towards the hole in the edge of left drawer side **9** and right drawer side **11**.

Put drop of glue **Q** into the 3 holes of left drawer side **9** and right drawer side **11**.

Attach left drawer side **9** and right drawer side **11** onto drawer back **10**.

Insert drawer bottom **6**.

5x



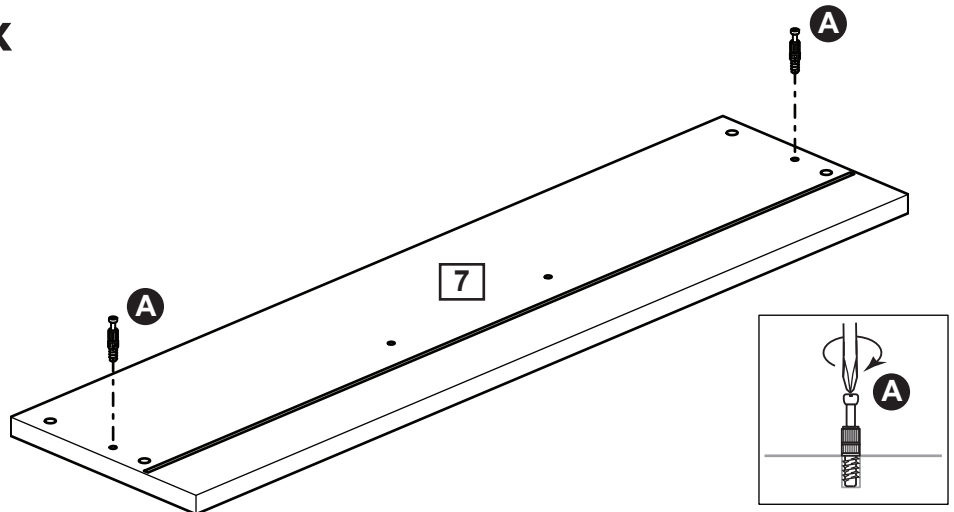
Assembly Instructions

Step 10

Screw 24mm locking screw **A** into drawer front **7**.

Note: Insert 24mm locking screw **A** as far as shown. **Do not over tighten.**

5x



Step 11

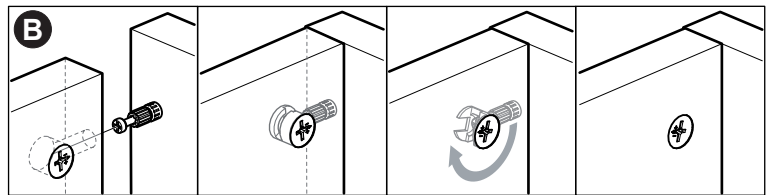
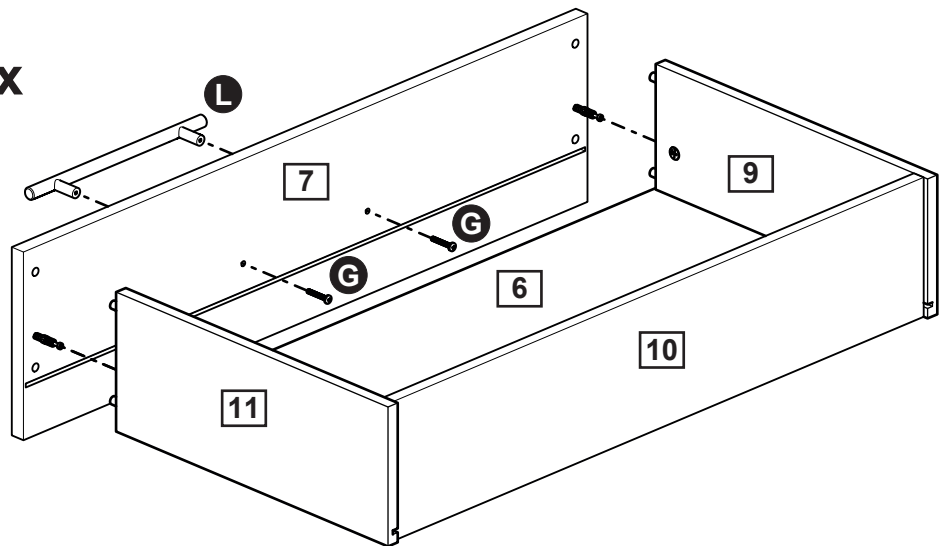
Position drawer front **7** onto drawer.

Use a screwdriver to turn locking nuts **B** clockwise to lock.

Note: look carefully to the positions of drawer front **7**.

Fix drawer handle **L** onto drawer front **7** using screw **G**.

5x



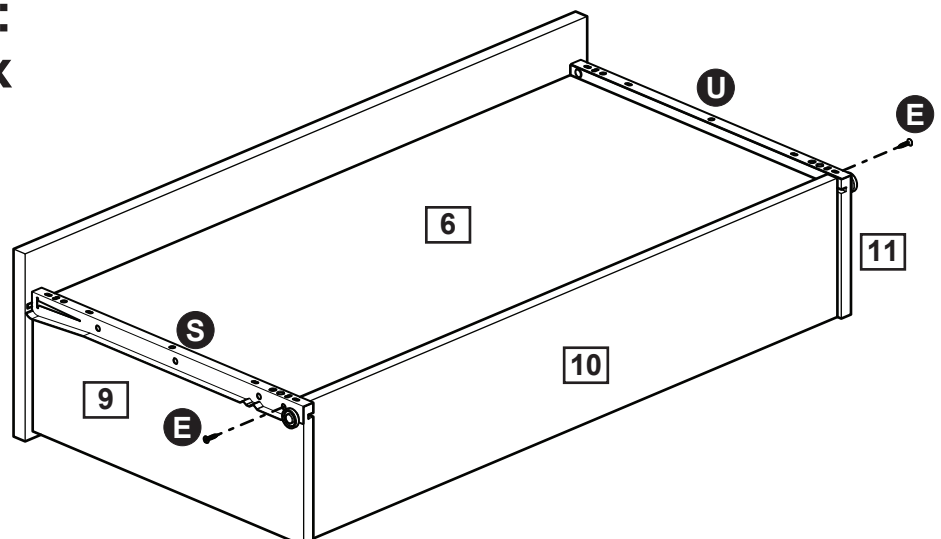
Step 12

a: Turn over drawer.

Fix runner left part **B** **S** on left drawer side **9** as shown using screw **E**.

Fix runner right part **B** **U** on right drawer side **11** as shown using screw **E**.

a:
5x



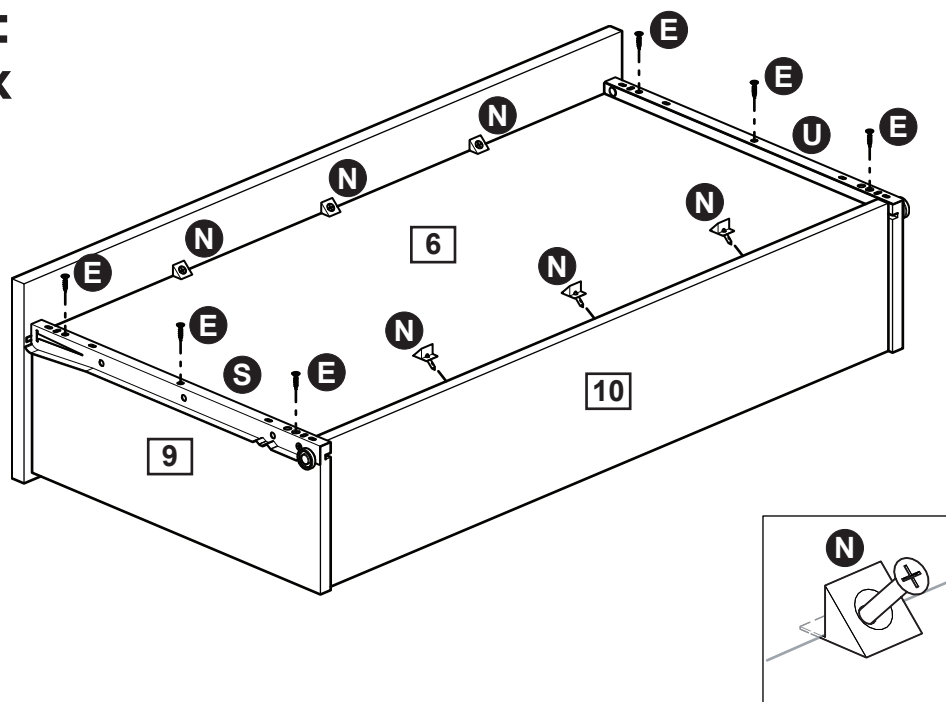
Assembly Instructions

Step 12 - continued

b: Fix runner left part B **S** and runner right part B **U** using screw **E**.

Slide drawer base support **N** in corner as shown and fix them, using the attached screw.

b:
5x

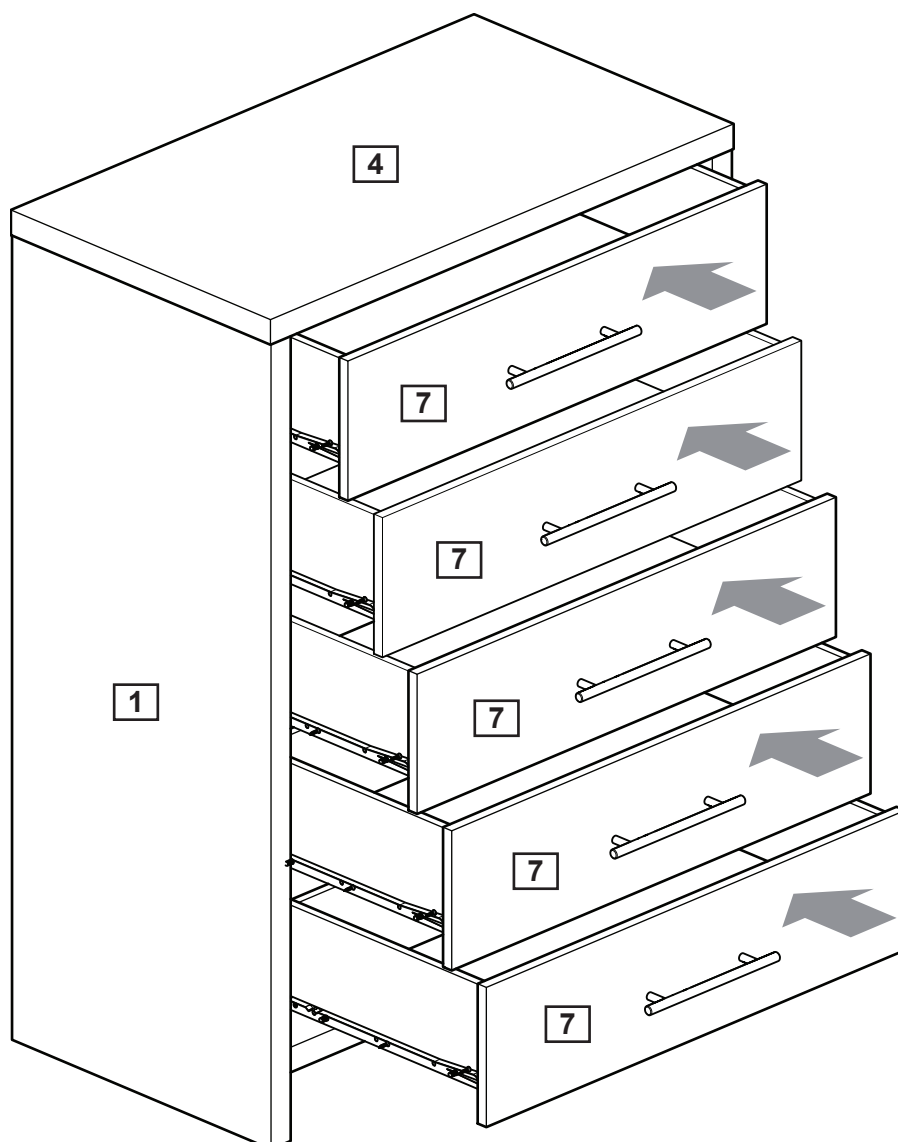


Step 13

Inserting drawers

as shown.

For adjusting the drawers see 'adjustment' on page 'drawer adjustment'.



Assembly Instructions

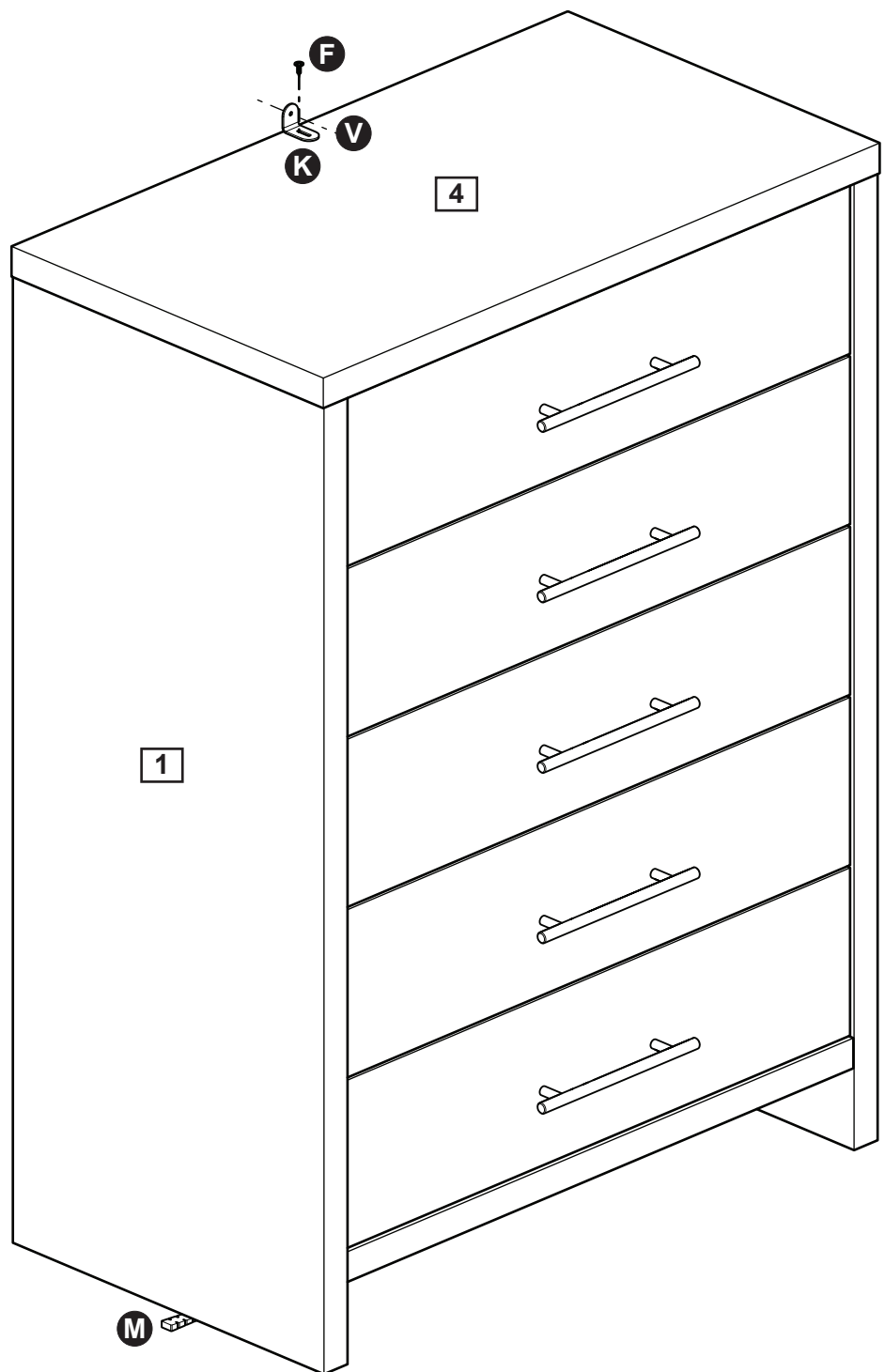
Step 14

Position L-bracket **K** on top **4** as shown, fix using screw **F**.

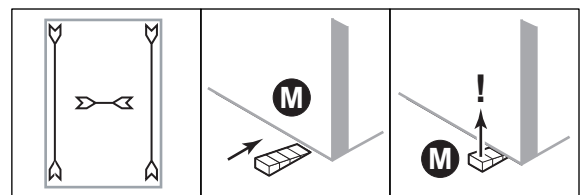
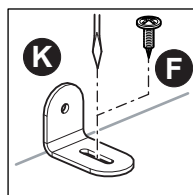
Note: there is no pre-drilled hole for screw **F**.

Use **V** to fix on the wall, please see page 'Wall Mounting & Fixings' for more information.

Use peg **M** to square your furniture. Knock peg **M** in, as far as you require, under the end of the side of the furniture. Then snap off flush with the side.



Assembly is complete.



If you need help or have damaged or missing parts, call the **Customer Helpline:**
Argos 03456 400 800

A Guide to - Drawer adjustment

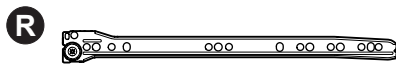
Adjustment

Note: Each drawer can be adjusted for approximately 1mm up or down on each side of the drawer.

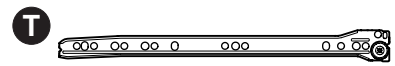
Remove drawer, adjust the wheel from runner left part A and runner right part A as shown.

Insert drawer.

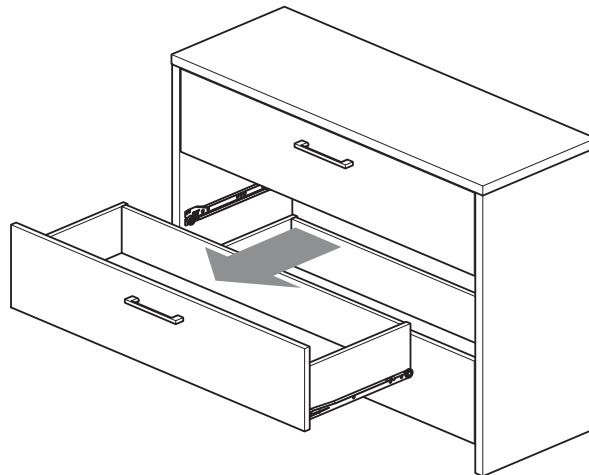
Repeat above steps until the desired result is achieved.



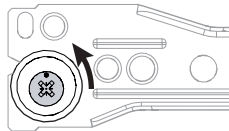
Runner left part A x 2



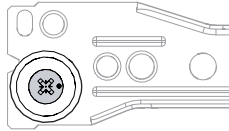
Runner right part A x 2



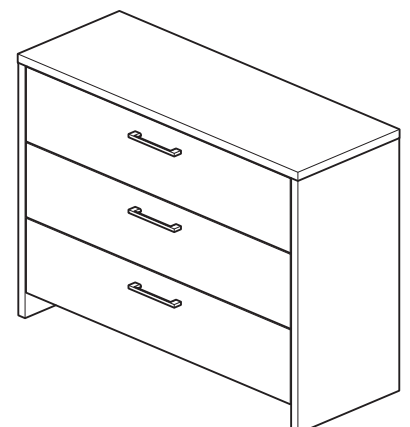
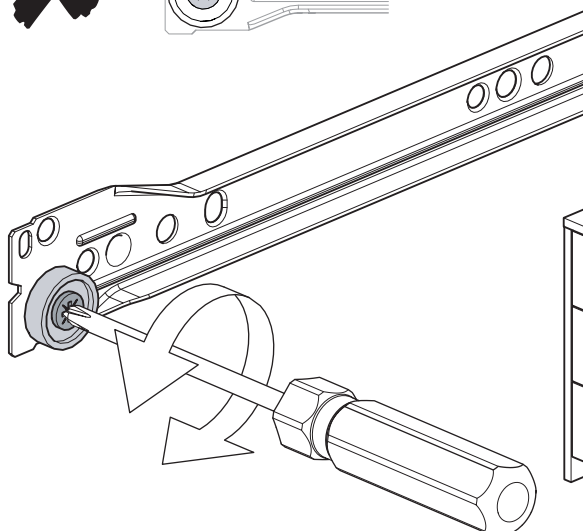
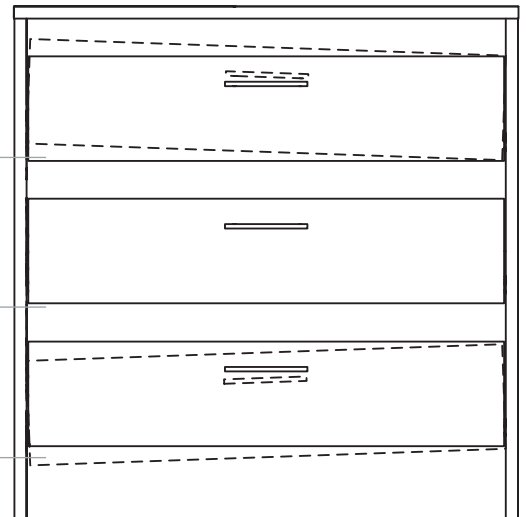
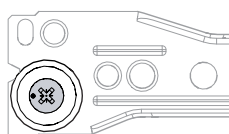
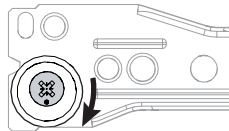
+1 mm ↑



0



-1 mm ↓



A Guide to - Wall Mounting & Fixings

Important note:

If plastic wall plugs are supplied with your product:



- these are only suitable for use in masonry walls.

If you are in any doubt about the correct wall plugs for your wall, seek professional advice.


Failure of the product due to using incorrect fixings is the responsibility of the installer.



Important: When drilling into walls always check that there are no hidden wires or pipes etc.

Make sure that the screws and wall plugs being used are suitable for supporting your unit. Consult a qualified tradesperson if you are unsure.

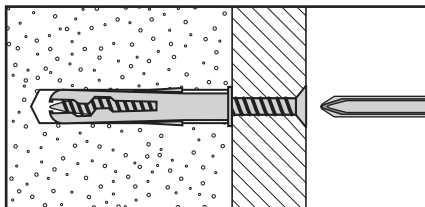
Hints:

- 1: General rule:**  Always use a larger screw and wall plug if you are not sure.
- 2:** Ensure you use the recommended drill bit to match the wall plug and hole size.
- 3:** Ensure you drill the hole horizontally, do not force the drill or enlarge the hole.
- 4:** Take extra care when drilling high walls, ceilings and ceramic tiles. Ensure wall plugs are inserted beyond the thickness of the ceramic tiles to avoid the tiles splitting or cracking.
- 5:** Ensure wall plugs are well fitted and are a tight fit in the drilled hole.

Types of walls

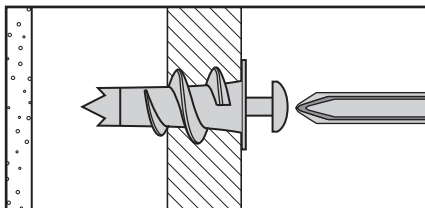
You can use one of the following types of wall plug if your walls are made of brick, breeze block, concrete, stone or wood.

No.1 "General Purpose" wall plug



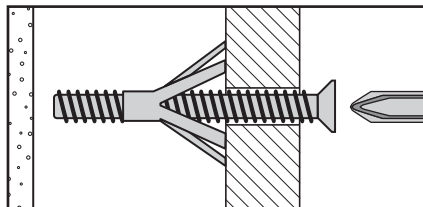
Generally aerated blocks should not be used to support heavy loads, use a specialist fitting in this case. For light loads, general purpose wall plugs can be used.

No.2 "Plasterboard" wall plug



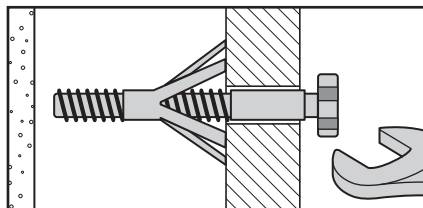
For use when attaching light loads on to plasterboard partitions.

No.3 "Cavity Fixing" wall plug



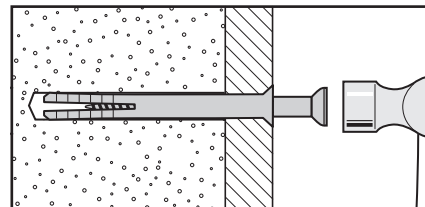
For use with plasterboard partitions or hollow wooden doors.

No.4 "Cavity Fixing-Heavy Duty" wall plug



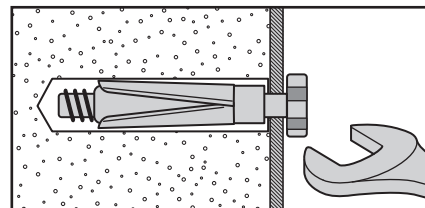
For use when fitting or supporting heavy loads such as shelving, wall cabinets and coat racks.

No.5 "Hammer Fixing" wall plug



For use with walls stuck with plasterboard. The hammer fixing allows it to be fixed to the wall rather than the plasterboard. Always check the fixing is secure to the retaining wall.

No.6 "Shield Anchor" wall plug Heavy loads



For use with heavier loads such as TV & HiFi speakers and satellite dishes etc.



Care & Maintenance

Safety: Always check the fitting and location to ensure your safety in and around the home.

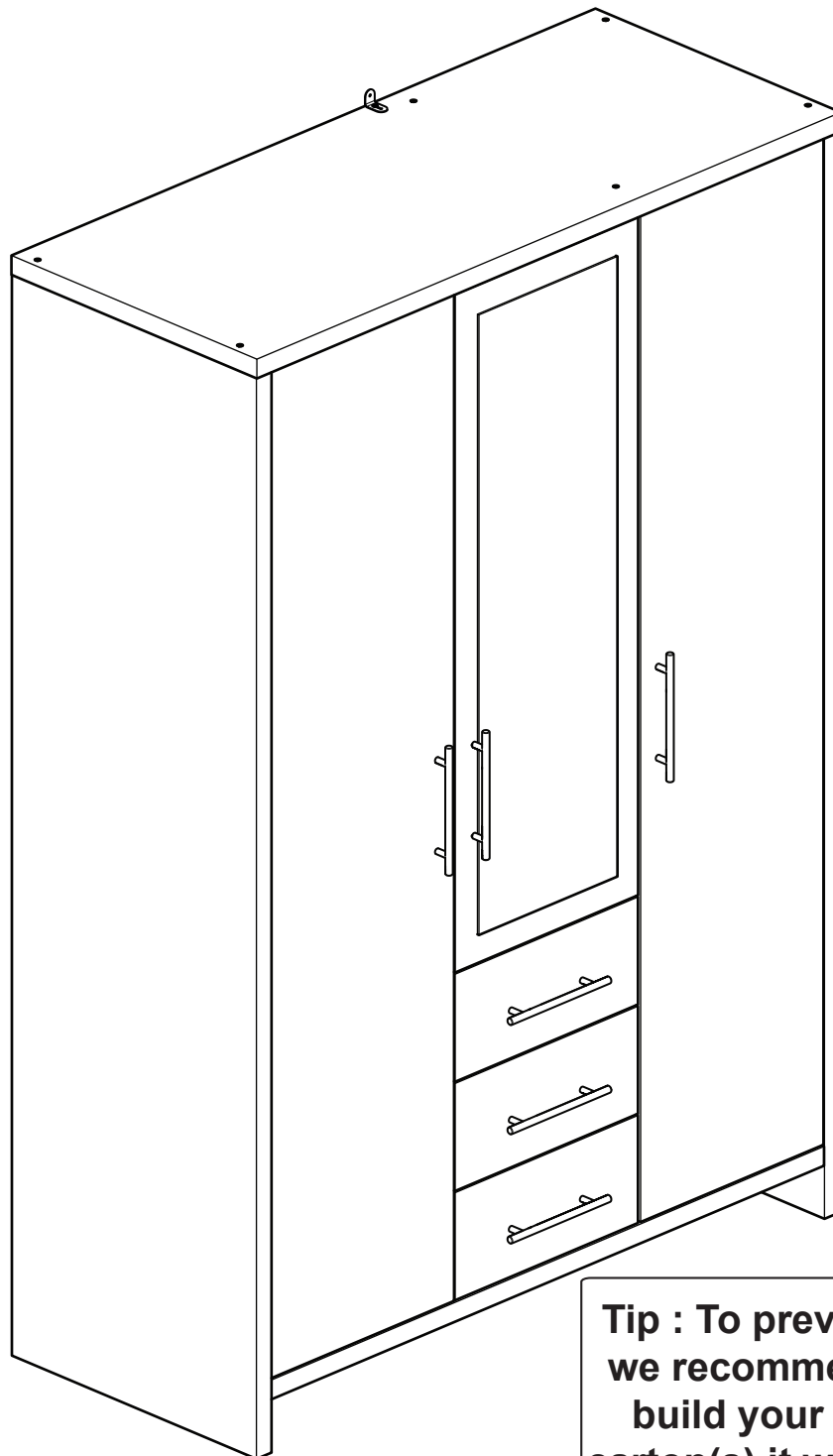
Fitting: From time to time check the fitting to ensure the wall plugs or screws do not become loose.

Washington - 3 Door 3 Drawer

Assembly Instructions - Please keep for future reference

429/2694

417/8024



Dimensions

Width - 131.6cm

Depth - 55.3cm

Height - 193.4cm

429/2694 SMOKEY OAK
417/8024 WARM OAK

Tip : To prevent damage, we recommend that you build your unit on the carton(s) it was packed in.

Important – Please read these instructions fully before starting assembly

If you need help or have damaged or missing parts, please visit: www.argos-support.co.uk or email: Help@ClickSpares.co.uk (quoting your original order number)

Alternatively, call the Spares Helpline on: **0370 112 1928**

For any other queries please contact the Customer Helpline on: **0345 640 2020**





Safety and Care Advice

Important – Please read these instructions fully before starting assembly

- Check you have all the components and tools listed on the following pages.
- Remove all fittings from the plastic bags and separate them into their groups.
- Keep children and animals away from the work area, small parts could choke if swallowed.
- Make sure you have enough space to layout the parts before starting.
- Do not stand or put weight on the product, this could cause damage.
- Assemble the item as close to its final position (in the same room) as possible.
- Assemble on a soft level surface to avoid damaging the unit or your floor.
- Parts of the assembly will be easier with 2 people.



• To reduce the likelihood of damaging your product please ensure that your power drill is set on a low torque setting.

Warning: Only use a manual screwdriver to attach the hinges.

- Dispose of all packaging carefully and responsibly.

Glue safety - Take care when using glue, please follow the advice below

Skin contact: Remove contamination by washing with soap and water. This procedure should also be followed prior to eating and drinking.

Eye contact: Rinse immediately with clean water for 15 minutes and seek medical advice.

If swallowed: Seek medical advice immediately.

Care and maintenance

- Only clean using a damp cloth and mild detergent, do not use bleach or abrasive cleaners.
- From time to time check that there are no loose screws on this unit.
- This product should not be discarded with household waste. Take to your local authority waste disposal centre.

Handy Hints

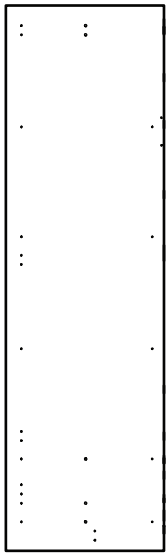
- Assemble all parts and bolts loosely during assembly, only once the product is complete should you fully tighten the bolts
- Regularly check and ensure that all bolts and fittings are tightened properly.

Note: if required the next page can be cut out and used as reference throughout the assembly. Keep this page with these instructions for future reference.

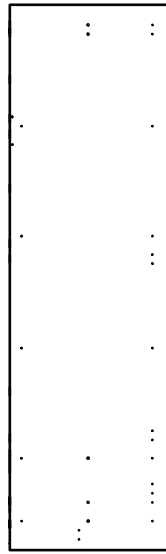
Components - Panels

For damaged or missing parts, please visit: www.argos-support.co.uk or email: Help@ClickSpares.co.uk

Please check you have all the panels listed below



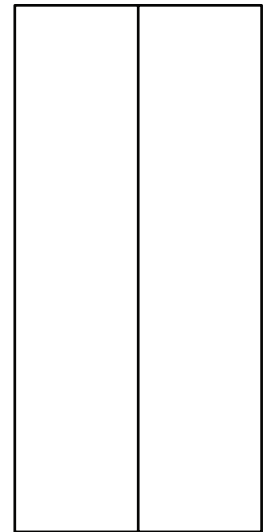
1 Left side
(55.1 x 190cm)
P8320



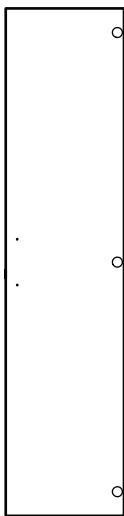
2 Right side
(55.1 x 190cm)
P8319



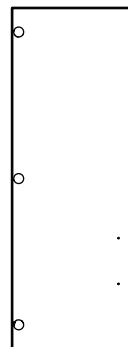
3 Upright
(53.3 x 177.3cm)
P2008



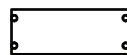
4 Foldy back
(86 x 183.5cm)
BO2571



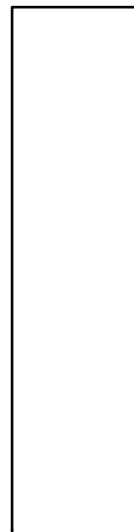
5 Door x2
(41.2 x 176.8cm)
P3706



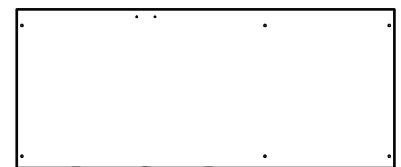
6 Mirror door
(41.2 x 119.1cm)
PS3707



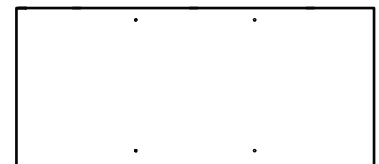
7 Small plinth back
(40.7 x 15.6cm)
P4671



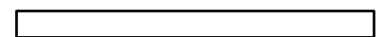
8 Back
(44.6 x 183.5cm)
BO2572



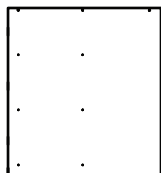
9 Top
(131.6 x 55.3cm)
P8150



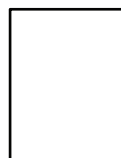
10 Bottom
(124.6 x 55cm)
P8151



11 Plinth
(124.6 x 9.2cm)
P7051



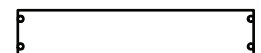
12 Small upright
(53.3 x 58.6cm)
P2020



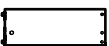
13 Small horizontal
(39.7 x 53.2cm)
P1992



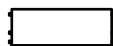
14 Drawer bottom x3
(35.8 x 34.2cm)
BO2570



15 Plinth back
(82.1 x 15.6cm)
P4672



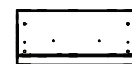
16 Left drawer side x3
(35 x 14cm)
LA1614



17 Drawer back x3
(34.8 x 14cm)
LA1650



18 Right drawer side x3
(35 x 14cm)
LA1615



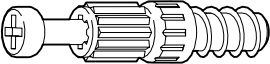






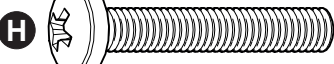
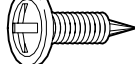


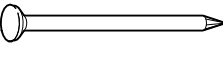
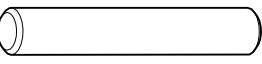








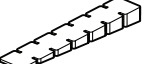


19 Drawer front x3
(41.2 x 18.9cm)
P4117

Components - Fittings

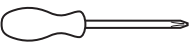
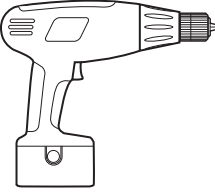

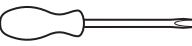

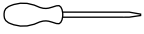

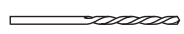
For damaged or missing parts, please visit: www.argos-support.co.uk or email: Help@ClickSpares.co.uk

Please check you have all the fittings listed below

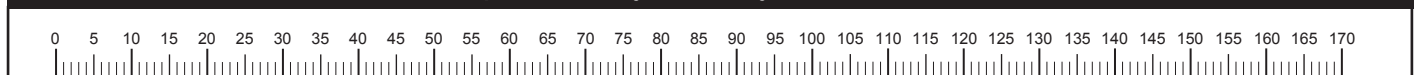
Note: The quantities below are the correct amount to complete the assembly. In some cases more fittings may be supplied than are required.

A  FK1011 Locking screw x 12 (5x24mm)	B  FK1010 Locking nut x 6 (12x10mm)	C  FK1012 Large locking nut x 6 (15x12mm)
D  FK1301 Fixing screw drawer x 12 (6.3x10mm)	E  FK1309 Screw x 22 (4x12.5mm)	F  FK1311 Screw x 42 (3x15mm)
G  FK1007 Confirmat screw x 10 (7x70mm)	H  FK1985 Screw x 12 (4x25mm)	I  FK1400 Screw x 19 (4x15mm)
J  FK1056 Locking screw x 8 (5x8.5mm)	K  FK1051 Expando housing x 8 (20x12mm)	L  FK1515 Nail x 48
M  FK1410 Wood dowel x 4 (5x30mm)	N  FK1235 L-Bracket x 1	O  GR1855 Drawer handle x 6
P  FK1801 Double plug, Nylon x 2	Q  FK1223 Hanger rail support x 4	R  FK1006 Screw x 6 (4x40mm)
S  FK1800 Plug, Nylon x 2	T  FK1250 Drawer base support x 12	U  FK1248 Corner connector, white x 3
V  FK1234 Peg, brown x 2	W  FK1203 Support pin x 2	X  FK1415 Nail holder x 1

Tools required

	Phillips screwdriver (medium & large)			Small hammer
	Flatblade screwdriver (medium)			Ruler/tape measure
	Piercer (small)			
	7mm Suitable drill bit (for use with wall plug)		Drill (for use with wall plug)	

Ruler - Use this ruler to help correctly identify the screws

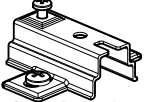
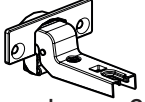

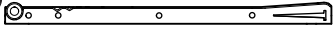
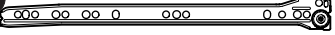
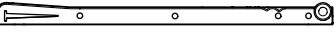


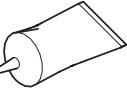
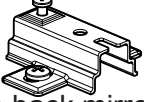

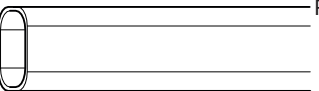
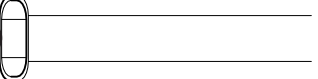


The screws length is measured from the head to the point (30mm screw shown).

Components - Fittings

Please check you have all the fittings listed below

Note: The quantities below are the correct amount to complete the assembly. In some cases more fittings may be supplied than are required.

<p>Y  FK12791</p> <p>Hinge back x 6 (H=4)</p>	<p>Z  FK12781</p> <p>Hinge door x 6</p>	<p>AA  PM1515 LA</p> <p>Runner left part A x 3</p>
<p>AB  PM1515 LB</p> <p>Runner left part B x 3</p>	<p>AC  PM1515 RA</p> <p>Runner right part A x 3</p>	<p>AD  PM1515 RB</p> <p>Runner right part B x 3</p>
<p>AE  ZF99936</p> <p>Wall plug (6mm) & parkerscrew x 1</p>	<p>AF  FK1004</p> <p>Allen key x 1 (4mm)</p>	<p>AG  FA1510</p> <p>Glue x 1</p>
<p>AH  FK1269</p> <p>Hinge back mirror x 3 (H=2)</p>	<p>AI  FK1268</p> <p>Hinge mirror door x 3</p>	<p>AJ  PM1832</p> <p>Hanger rail x 1 (81.4cm)</p>
<p>AK  PM1833</p> <p>Hanger rail small x 1 (40cm)</p>		

Assembly Instructions

Step 1

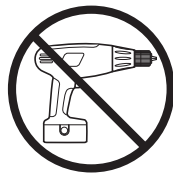
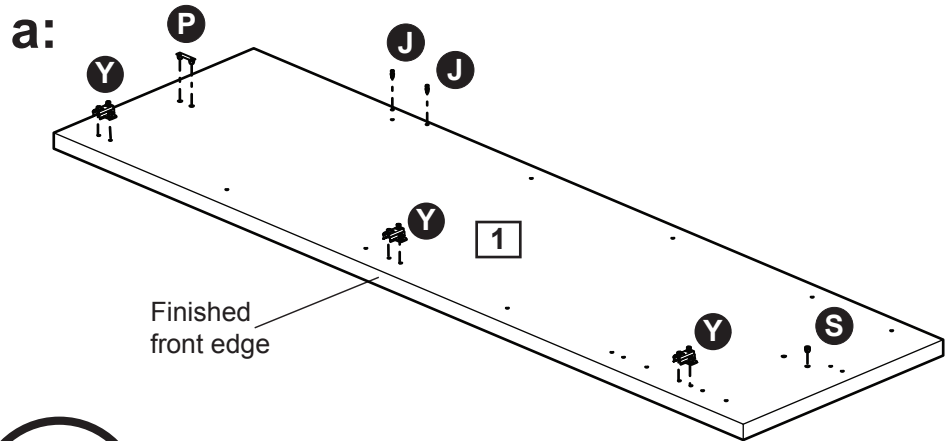
a: Press the Nylon plug **S** firmly into left side **1**.

Screw 8.5 mm locking screw **J** into left side **1**.

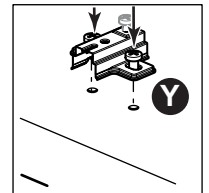
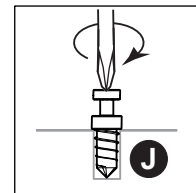
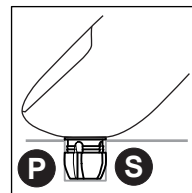
Note: Insert 8.5mm locking screw **J** as far as shown.
Do not over tighten.

Press the double nylon plug **P** firmly into left side **1**.

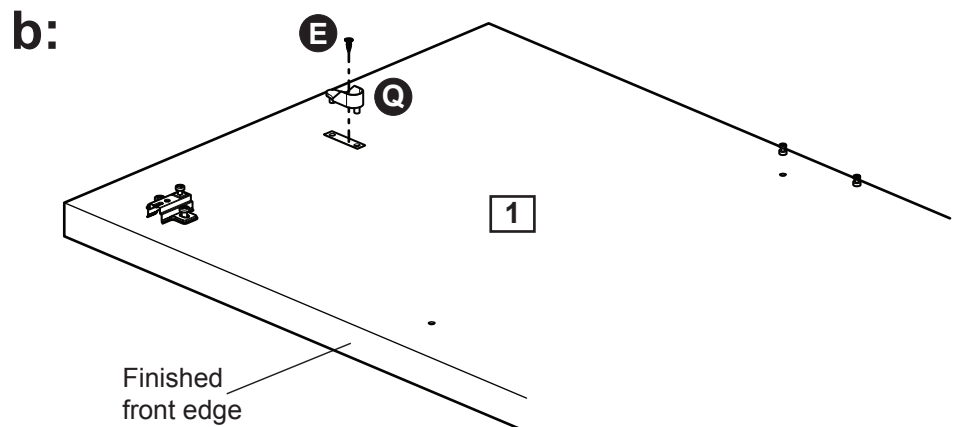
Screw hinge back **Y** onto left side **1**.



Warning: Do not use an electric screwdriver to attach the hinges as this can weaken the fixing.

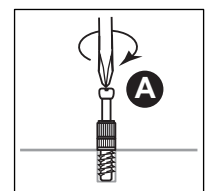
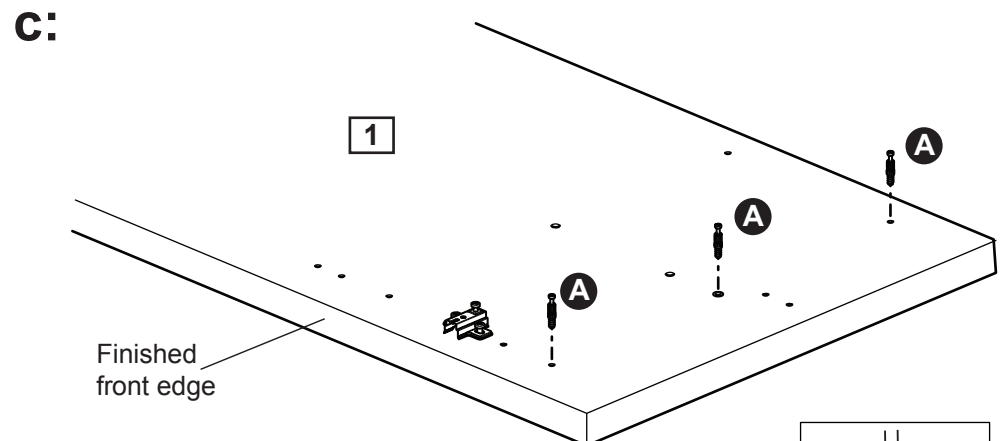


b: Attach hanger rail support **Q** using screw **E** onto left side **1**.



c: Screw 24mm locking screw **A** into left side **1**.

Note: Insert 24mm locking screw **A** as far as shown.
Do not over tighten.



Assembly Instructions

Step 2

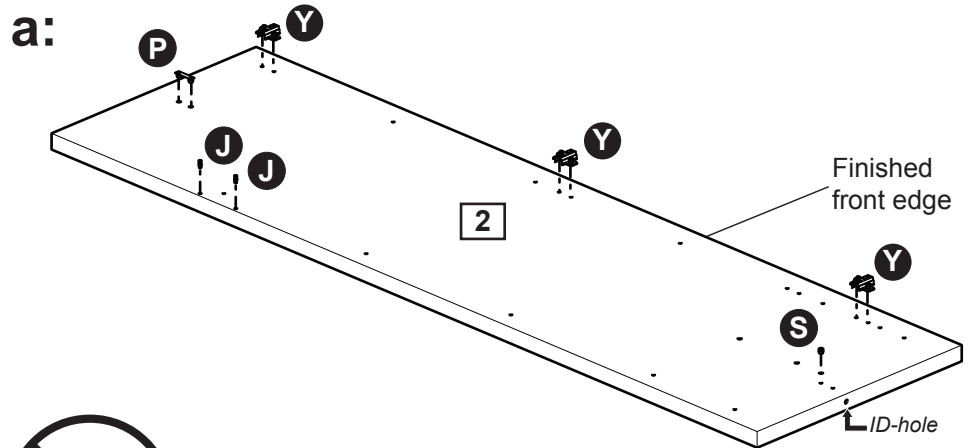
a: Press the Nylon plug **S** firmly into right side **2**.

Screw 8.5 mm locking screw **J** into right side **2**.

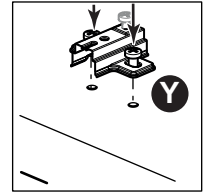
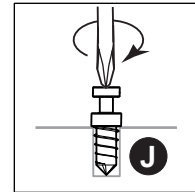
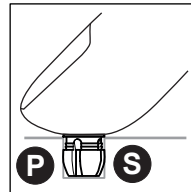
Note: Insert 8.5mm locking screw **J** as far as shown.
Do not over tighten.

Press the double nylon plug **P** firmly into right side **2**.

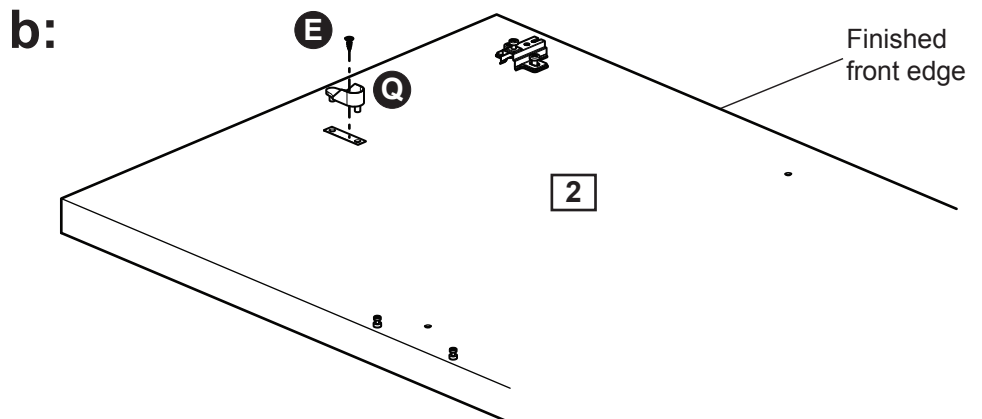
Screw hinge back **Y** onto right side **2**.



Warning: Do not use an electric screwdriver to attach the hinges as this can weaken the fixing.

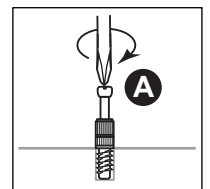
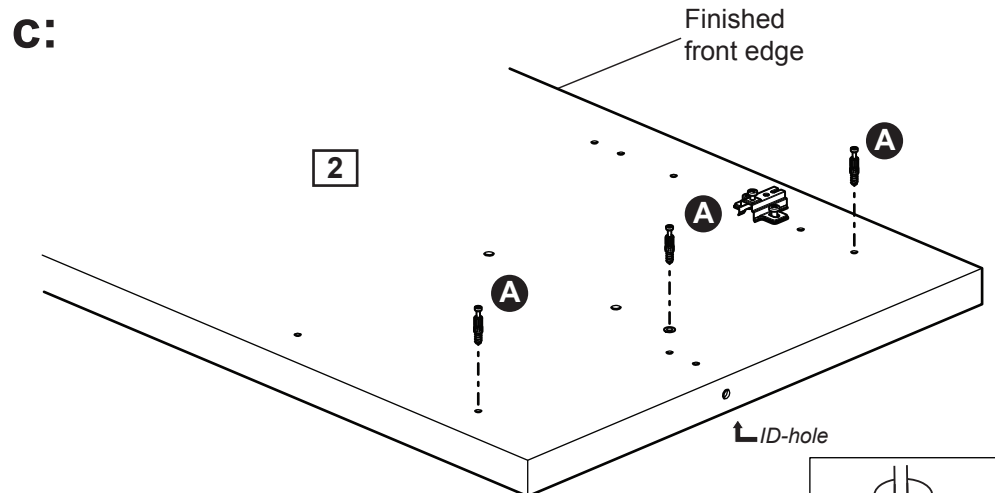


b: Attach hanger rail support **Q** using screw **E** onto right side **2**.



c: Screw 24mm locking screw **A** into right side **2**.

Note: Insert 24mm locking screw **A** as far as shown.
Do not over tighten.

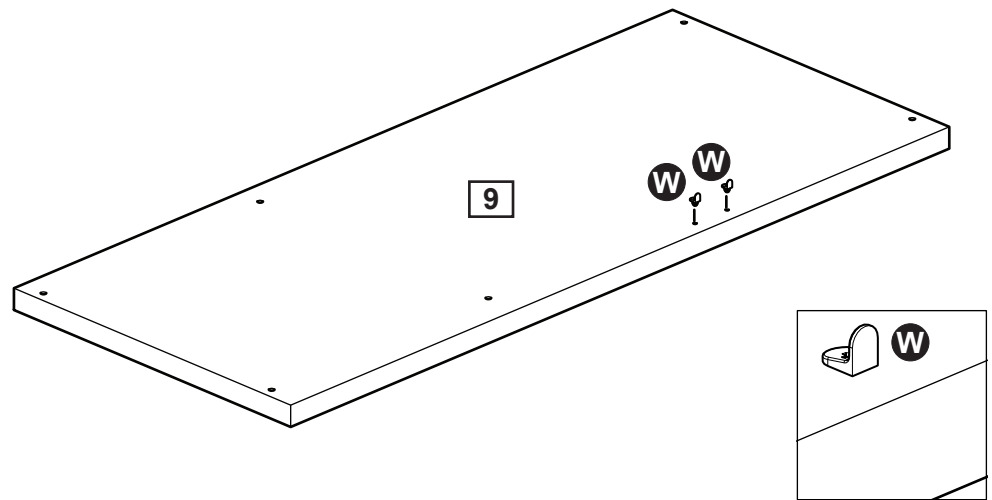


Assembly Instructions

Step 3

Insert Support pin **W** into top **9**. Let the flat side of support pin **W** face the same side as the finished front edge of top **9**.

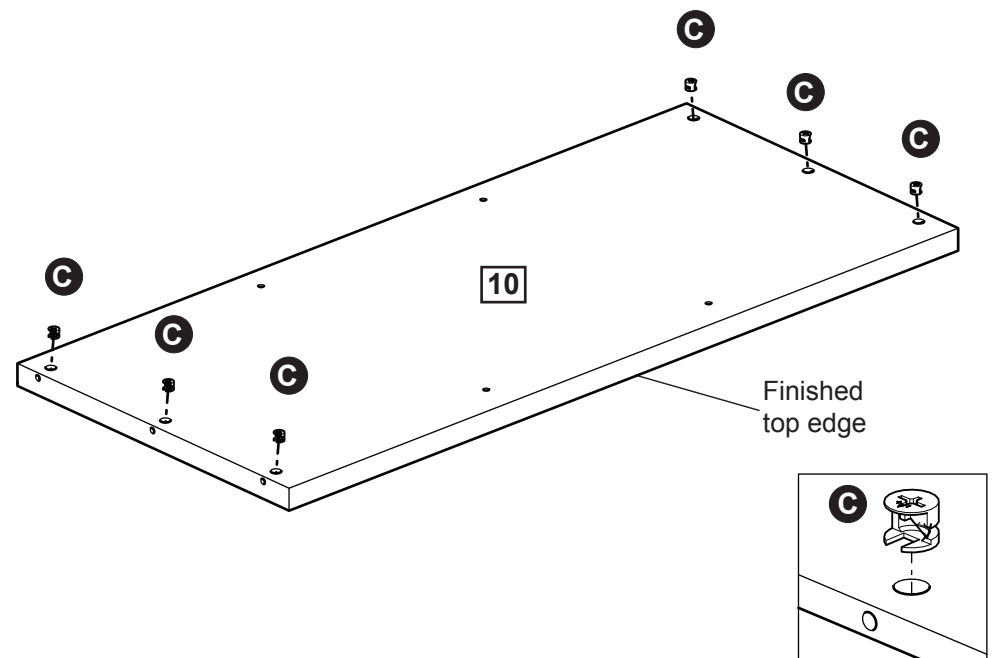
Do not overtighten.



Step 4

Insert large locking nuts **C** into bottom **10**.

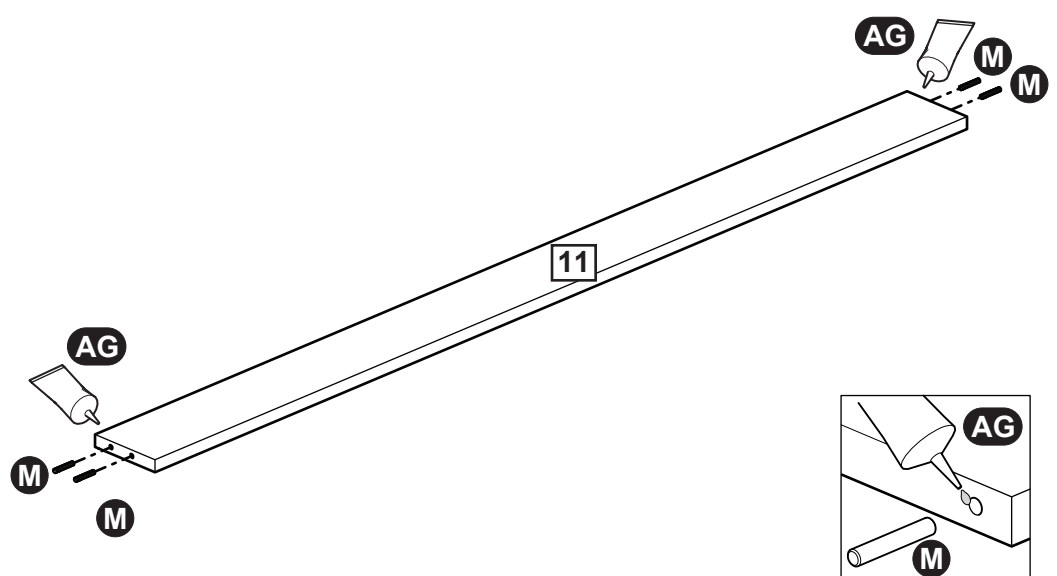
Make sure the 'arrow' on large locking nuts **C** points towards the hole in the edge of bottom **10**.



Step 5

Put drop of glue **AG** into the 4 holes of plinth **11**

Insert wood dowel **M** into the 4 holes of plinth **11**.



Assembly Instructions

Step 6

a: Screw 8.5mm locking screw **J** into upright **3**.

Note: Insert 8.5mm locking screw **J** as far as shown. **Do not over tighten.**

Attach hanger rail support **Q** using screw **E** onto upright **3**

Screw Hinge back mirror **AH** onto upright **3**.

Attaching runners

Fix runner right part A **AC** on upright **3** as shown using fixing screw **D** into upright **3**.

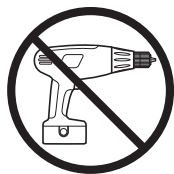
Note: look careful for the right position.

Insert 15mm screw **F** as shown into upright **3** to fix runner right part A **AC**.

Turn over upright.

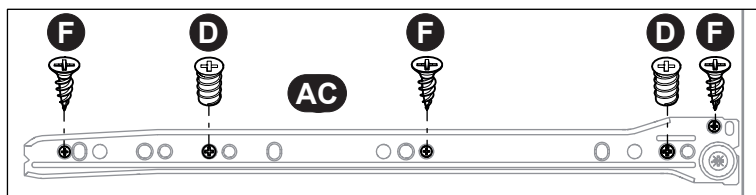
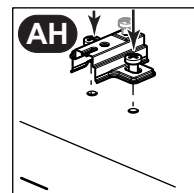
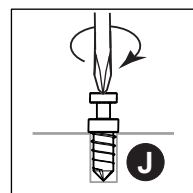
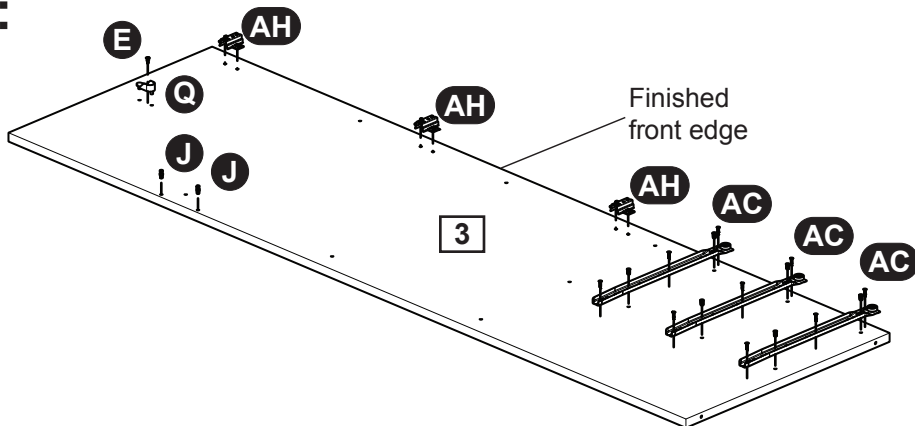
b: Screw 8.5mm locking screw **J** into upright **3**.

Attach hanger rail support **Q** using screw **E** onto upright **3**

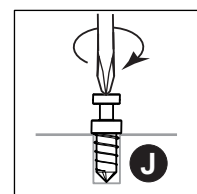
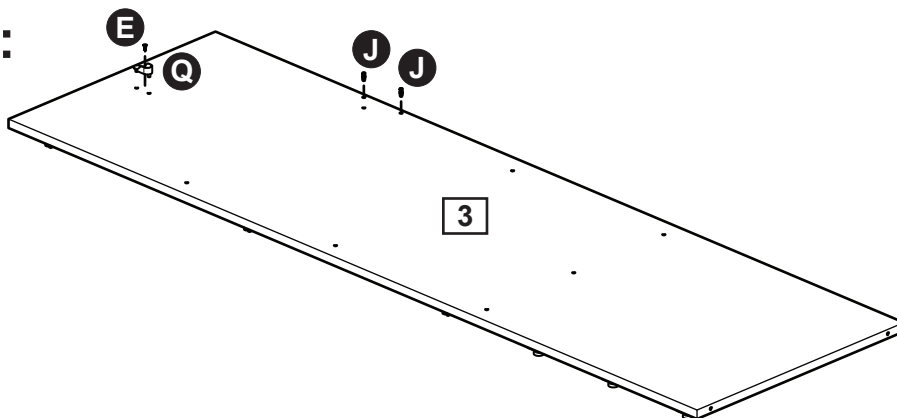


Warning: Do not use an electric screwdriver to attach the hinges as this can weaken the fixing.

a:



b:



Assembly Instructions

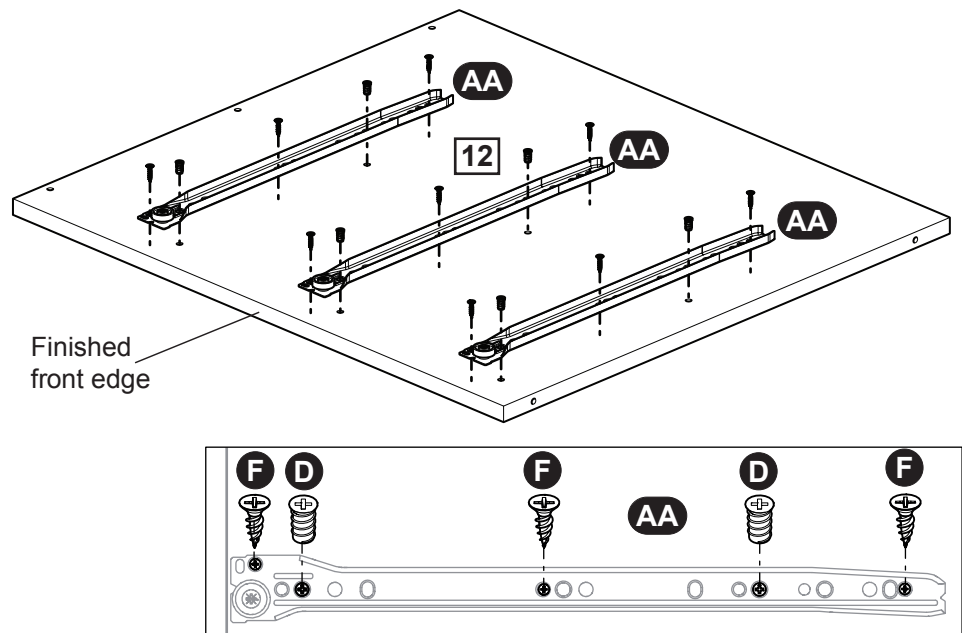
Step 7

Attaching runners

Fix runner left part A (AA) on Small upright (12) as shown using fixing screw drawer (D) into small upright (12).

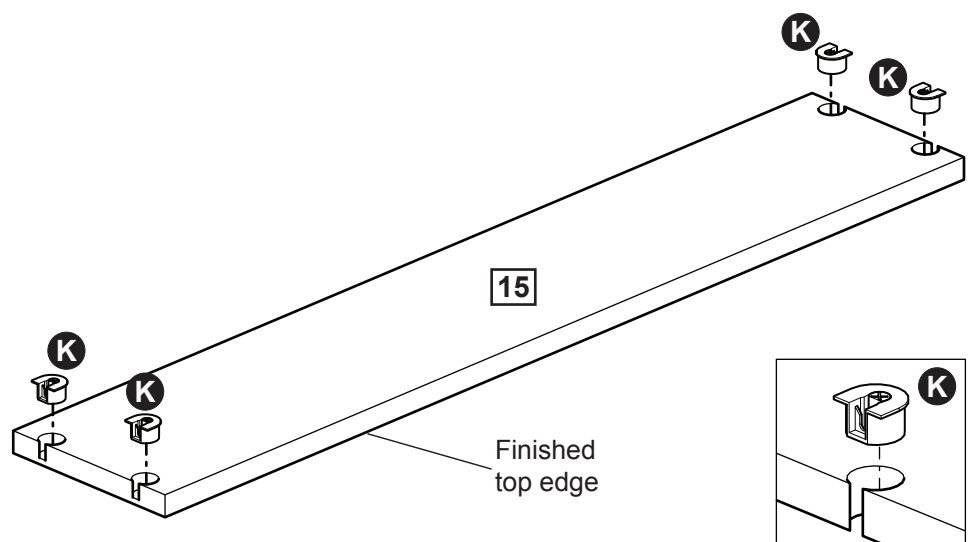
Note: look careful for the right position.

Insert 15mm screw (F) as shown into small upright (12) to fix runner left part A (AA).



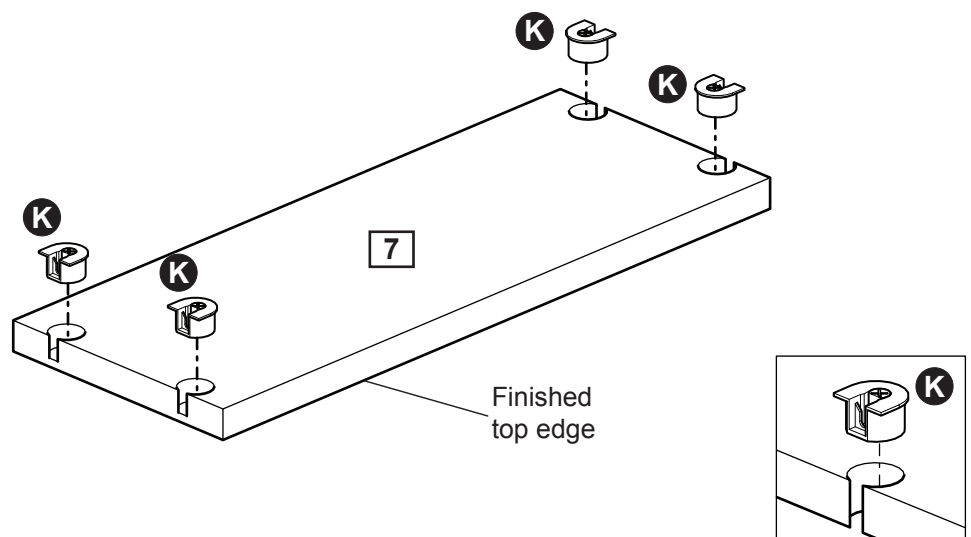
Step 8

Insert expando housing (K) into plinth back (15).



Step 9

Insert expando housing (K) into small plinth back (7).

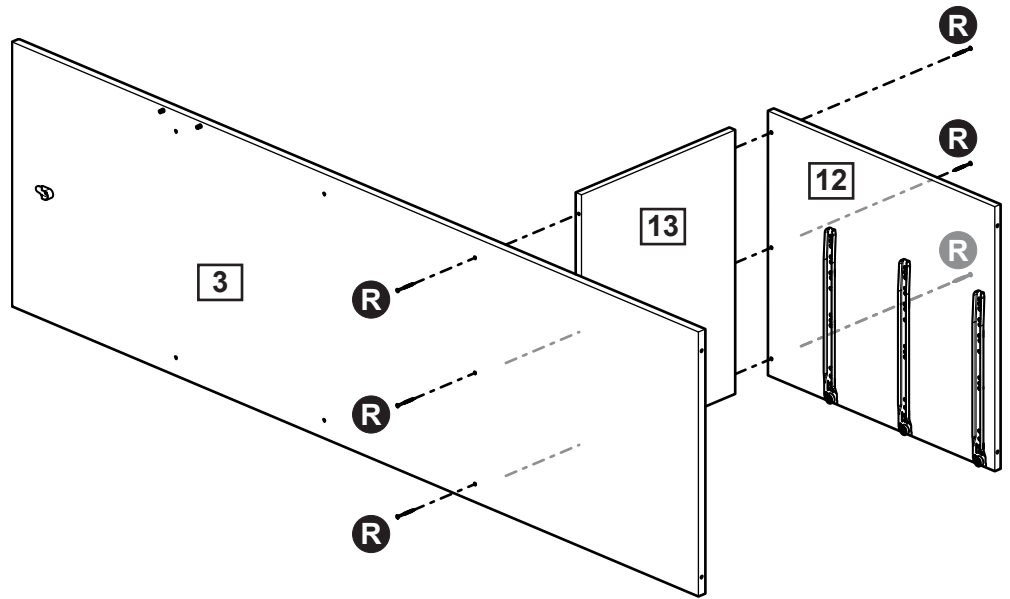


Assembly Instructions

Step 10

Attaching panels

Attach upright **3** and small upright **12** onto small horizontal **13** with 6x screw **R**.



Step 11

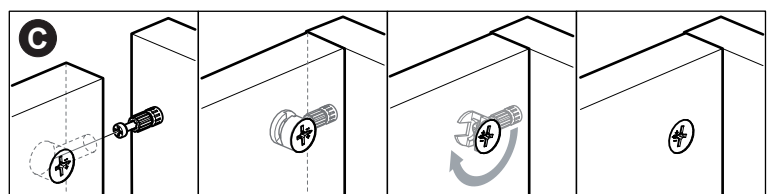
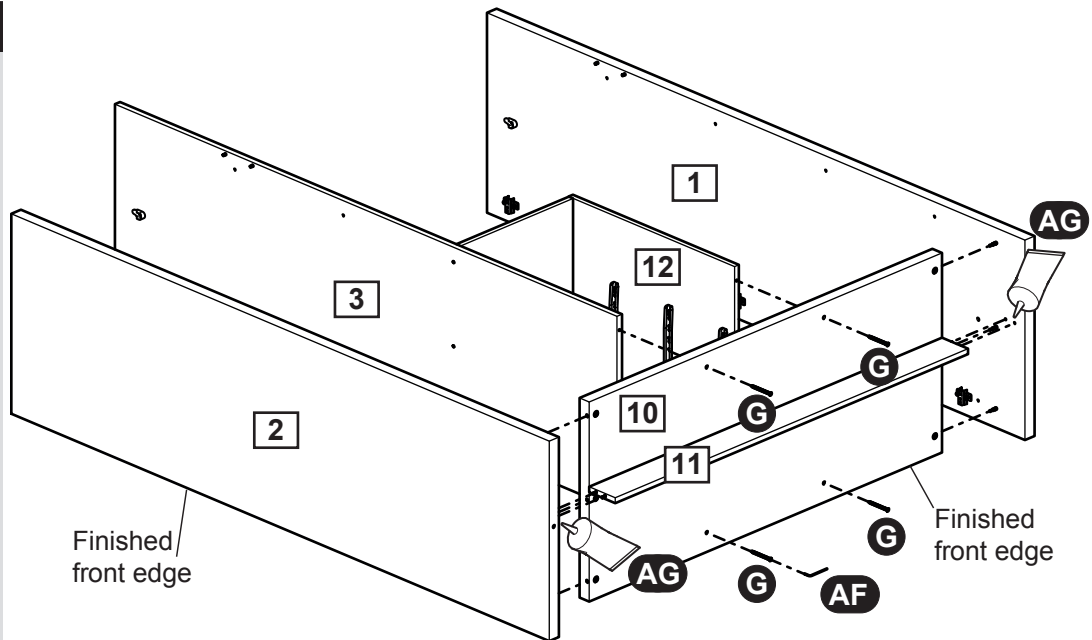
Attaching panels

Put drop of glue **AG** into the 2 holes of left side **1** and the 2 holes of right side **2**.

Position left side **1** and right side **2** onto bottom **10** and plinth **11**.

Use a screwdriver to turn locking nuts **C** clockwise to lock.

Attach upright **3** and small upright **12** with 4x confirmat screw **G** onto bottom **10**. Use allen key **AF**.



Assembly Instructions

Step 12

Attaching panels

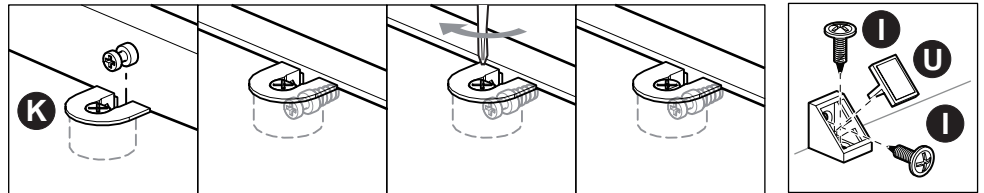
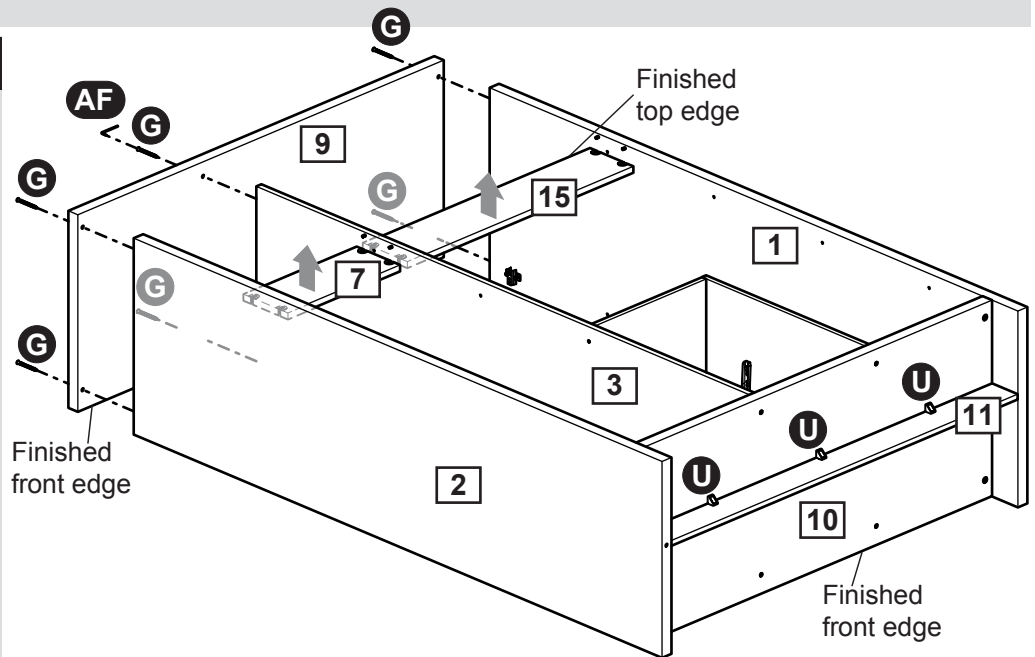
Attach top **9** with 6x confirmat screw **G** onto left side **1**, right side **2** and upright **3**. Use allen key **AF**.

Position small plinth back **7** onto right side **2** and upright **3**.

Position plinth back **15** onto left side **1** and upright side **3**.

Use a screwdriver to turn Expando housing **K** clockwise to lock.

Mount corner connector **U** with 2 screws **I** on plint **11** and bottom **10**.

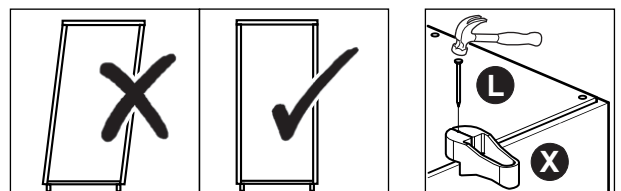
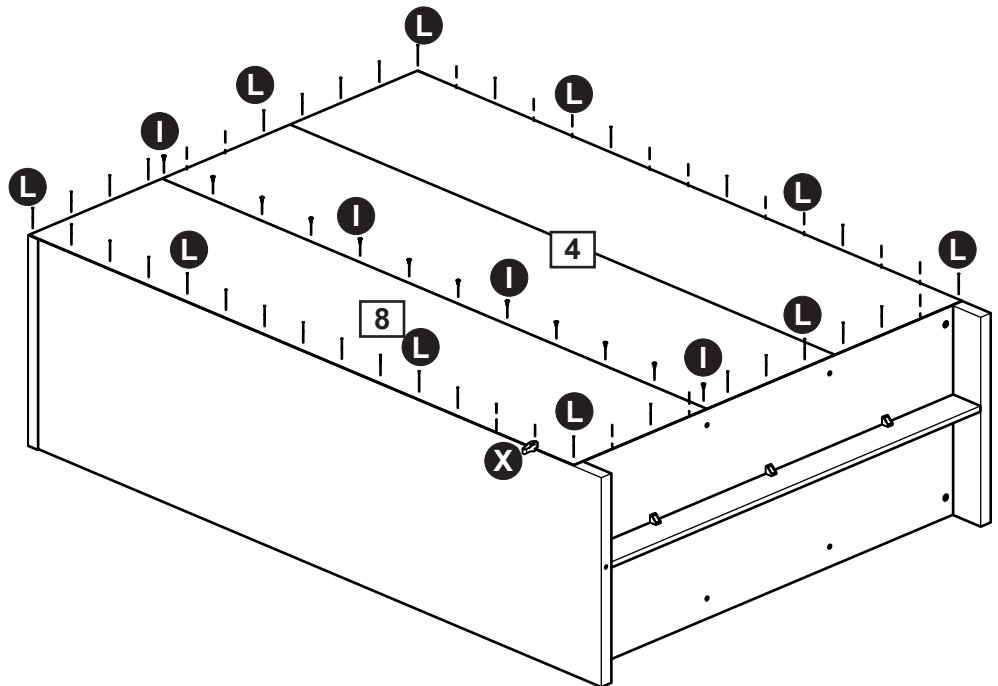


Step 13

Fitting back panels

Attach foldy back **4** and back **8** to the backside with the coloured surface facing the inside using nails **L** and screws **I**. Use nail holder **X** to hold the nails **L** vertical and at correct distance as you secure foldy back **4** and back **8**.

Nails **L** should be spaced about 150mm apart. Screws **I** should be spaced about 165mm apart.



Important:
Furniture **MUST** be 'square' when back is attached.

Assembly Instructions

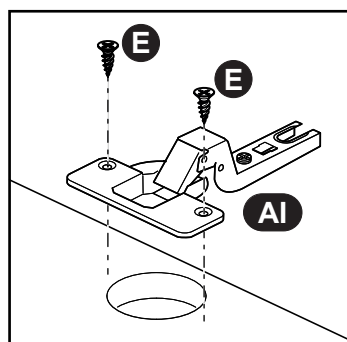
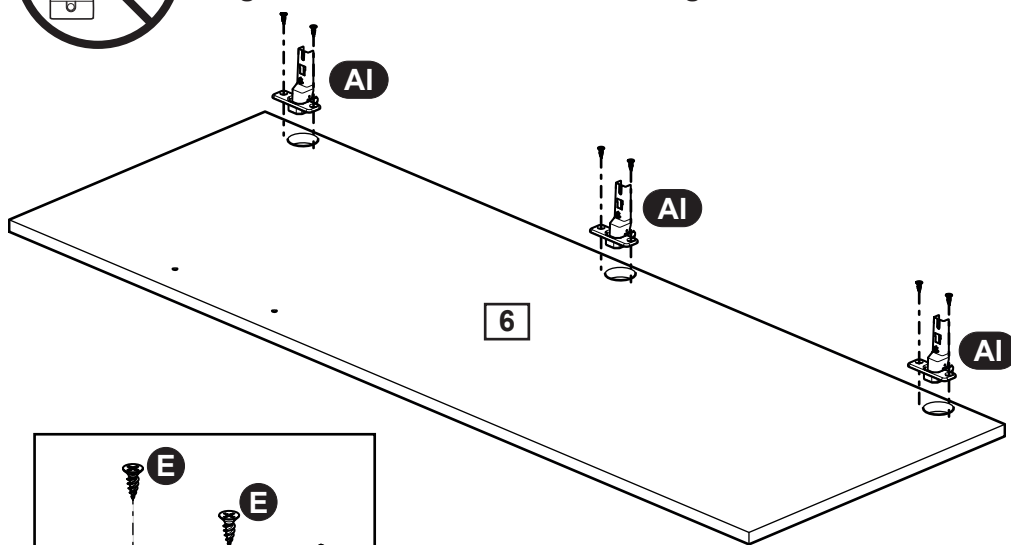
Step 14

Fitting hinges to door

Fix hinge mirror door **AI** to mirror door **6** using screws **E**.



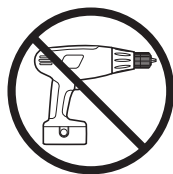
Warning: Do not use an electric screwdriver to attach the hinges as this can weaken the fixing.



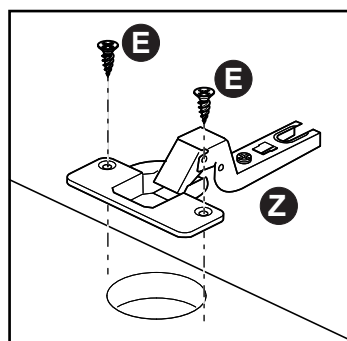
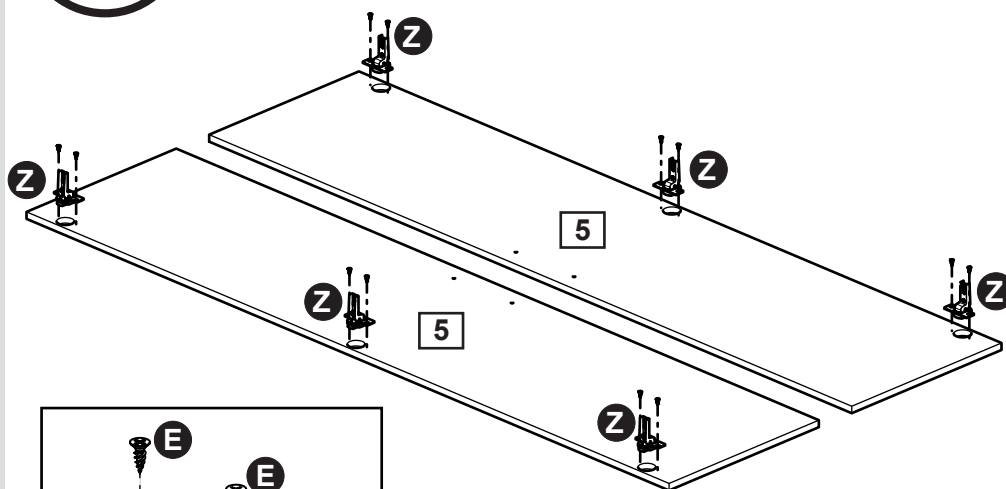
Step 15

Fitting hinges to doors

Fix hinge door **Z** to doors **5** using screws **E**.



Warning: Do not use an electric screwdriver to attach the hinges as this can weaken the fixing.



Assembly Instructions

Step 16

Hanging doors

a: Attach with help, slot hinge door **Z** and hinge mirror door **AI** onto hinge back **Y** and hinge back mirror **AH**.

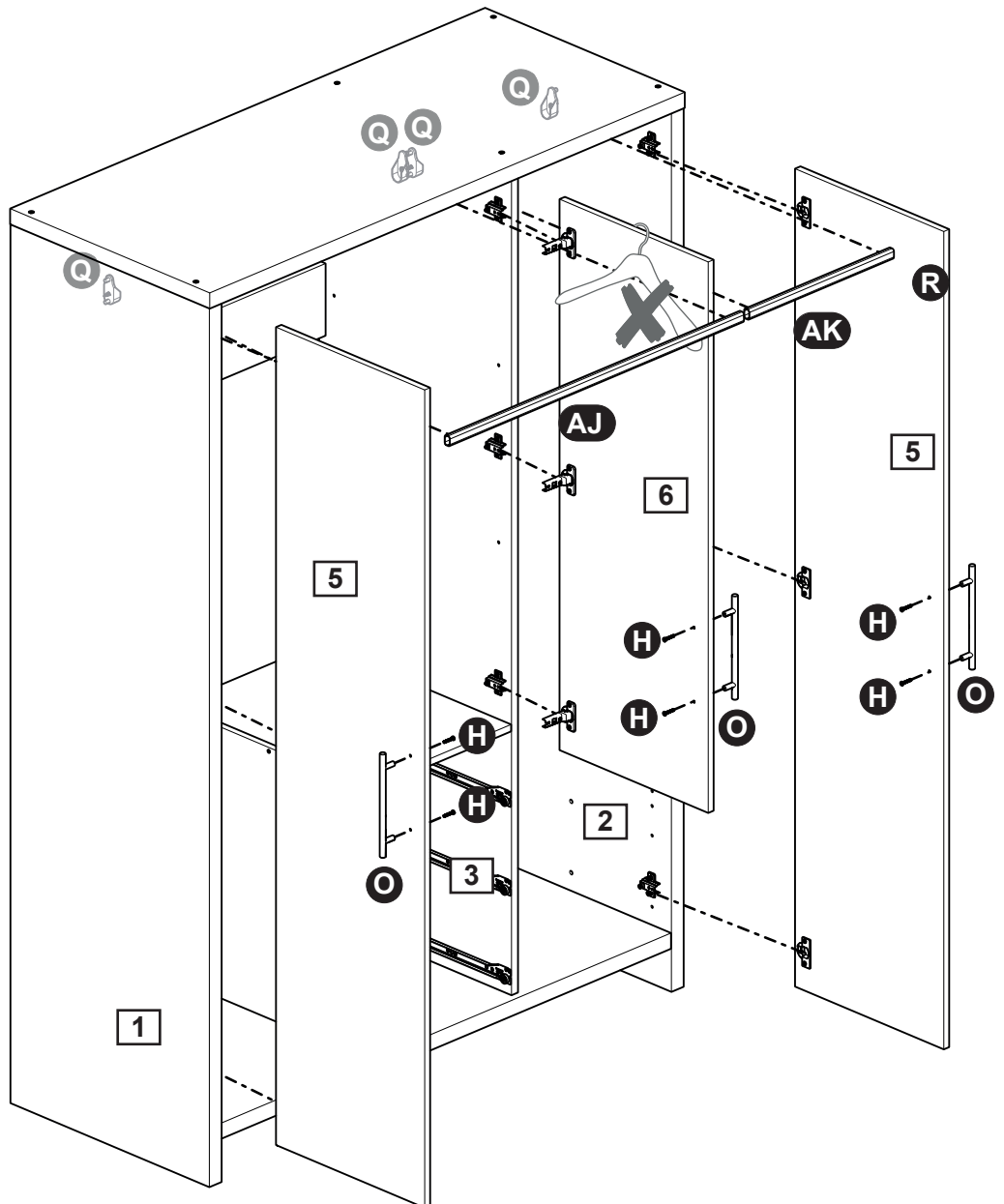
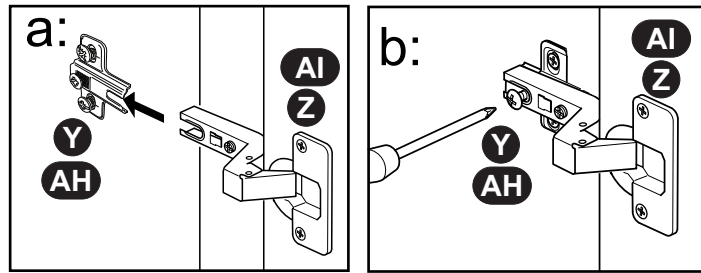
b: Tighten hinge door screw to lock hinges in position.

Repeat **a** and **b** for other doors.

For adjusting the hinges see 'adjustment' on page 'hinge adjustment'.

c: Fix drawer handle **O** onto doors **5** and mirror door **6** using screw **H**.

d: Insert hanger rail **AJ** and small hanger rail **AK** into hanger rail support **Q**.



Assembly Instructions

Step 17

Preparing drawer

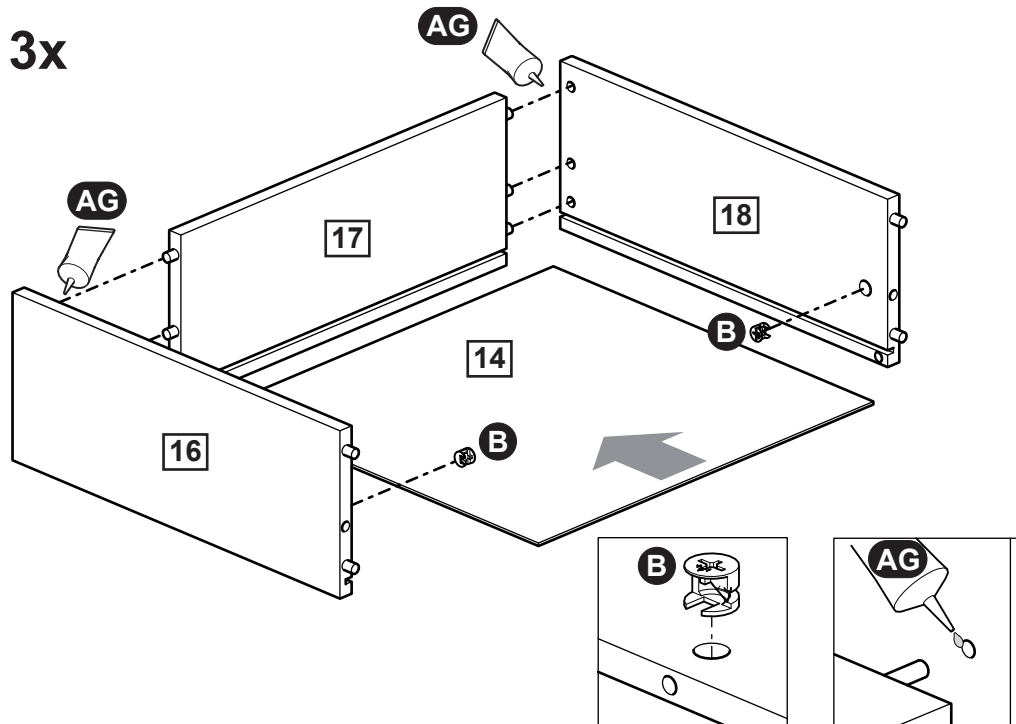
Insert locking nuts **B** into left drawer side **16** and right drawer side **18**.

Make sure the 'arrow' on locking nuts **B** points towards the hole in the edge of left drawer side **16** and right drawer side **18**.

Put drop of glue **AG** into the 3 holes of left drawer side **16** and right drawer side **18**.

Attach left drawer side **16** and right drawer side **18** onto drawer back **17**.

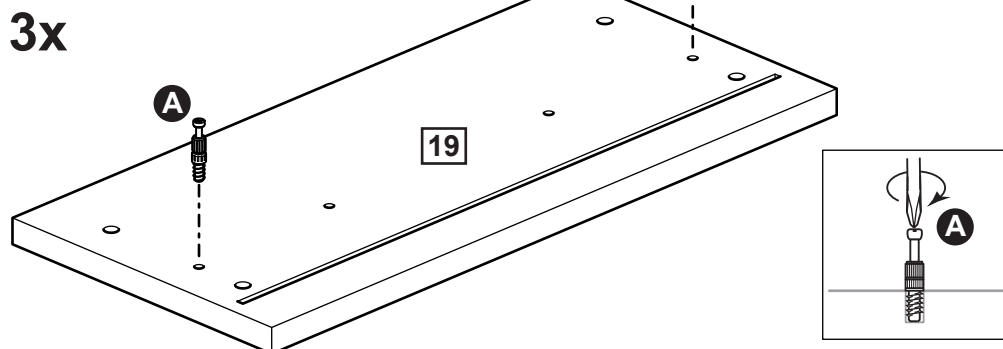
Insert drawer bottom **14**.



Step 18

Screw 24mm locking screw **A** into drawer front **19**.

Note: Insert 24mm locking screw **A** as far as shown. **Do not over tighten.**



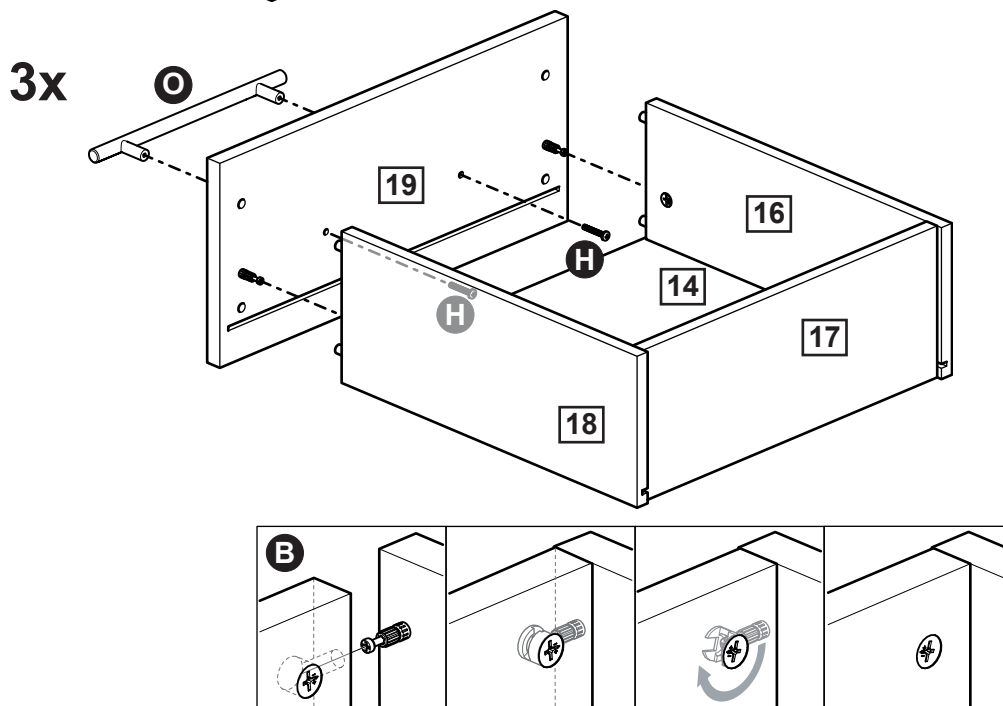
Step 19

Position drawer front **19** onto drawer.

Use a screwdriver to turn locking nuts **B** clockwise to lock.

Note: look carefully to the positions of drawer front **19**.

Fix drawer handles **O** onto drawer front **19** using screw **H**.



Assembly Instructions

Step 20

Turn over drawer.

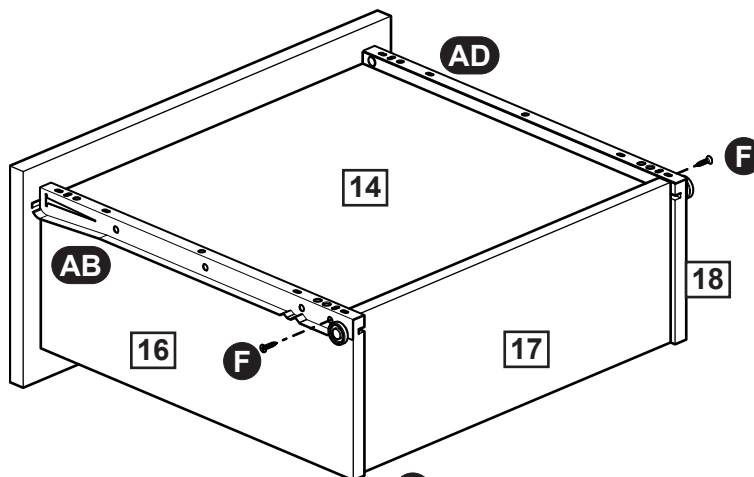
a: Fix runner left part B **AB** on left drawer side **16** as shown using screw **F**.

Fix runner right part B **AD** on right drawer side **18** as shown using screw **F**.

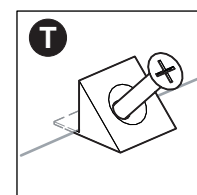
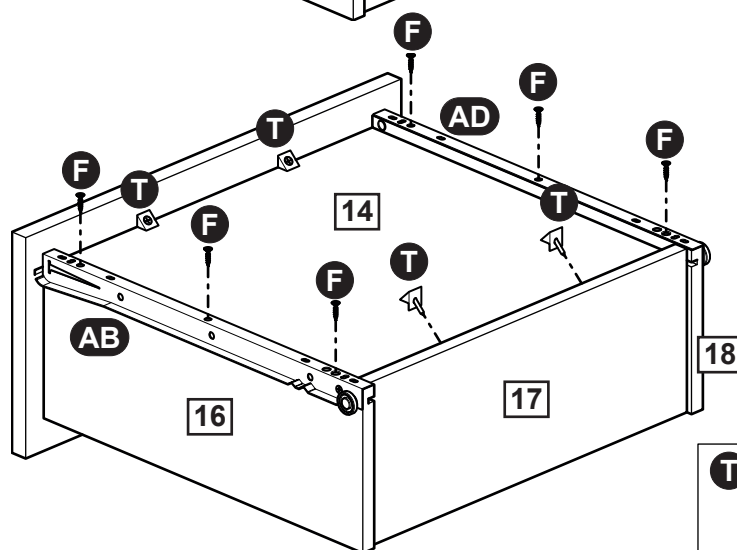
b: Fix runner left part B **AB** and runner right part B **AD** using screw **F**.

Slide drawer base support **T** in corner as shown and fix them, using the attached screw.

a:
3x



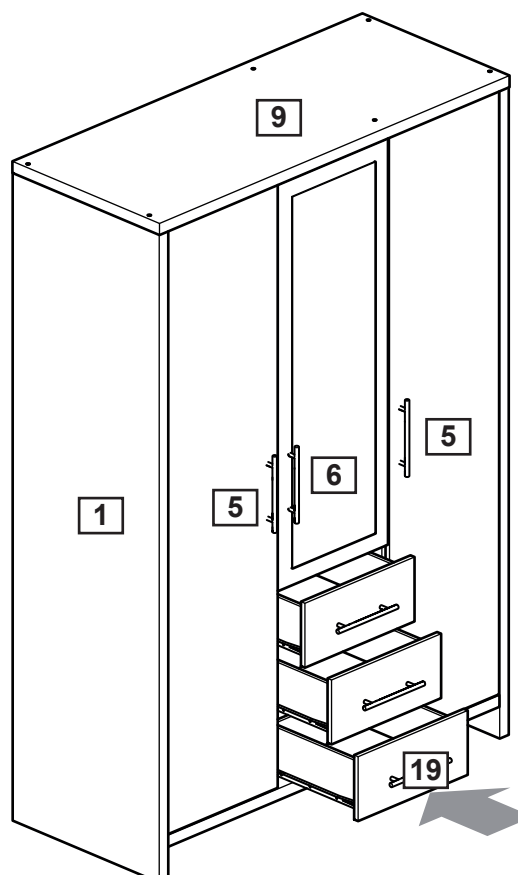
b:
3x



Step 21

Inserting drawers as shown.

For adjusting the drawers see 'adjustment' on page 'drawer adjustment'.



Assembly Instructions

Step 22

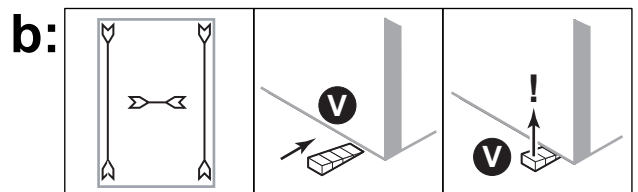
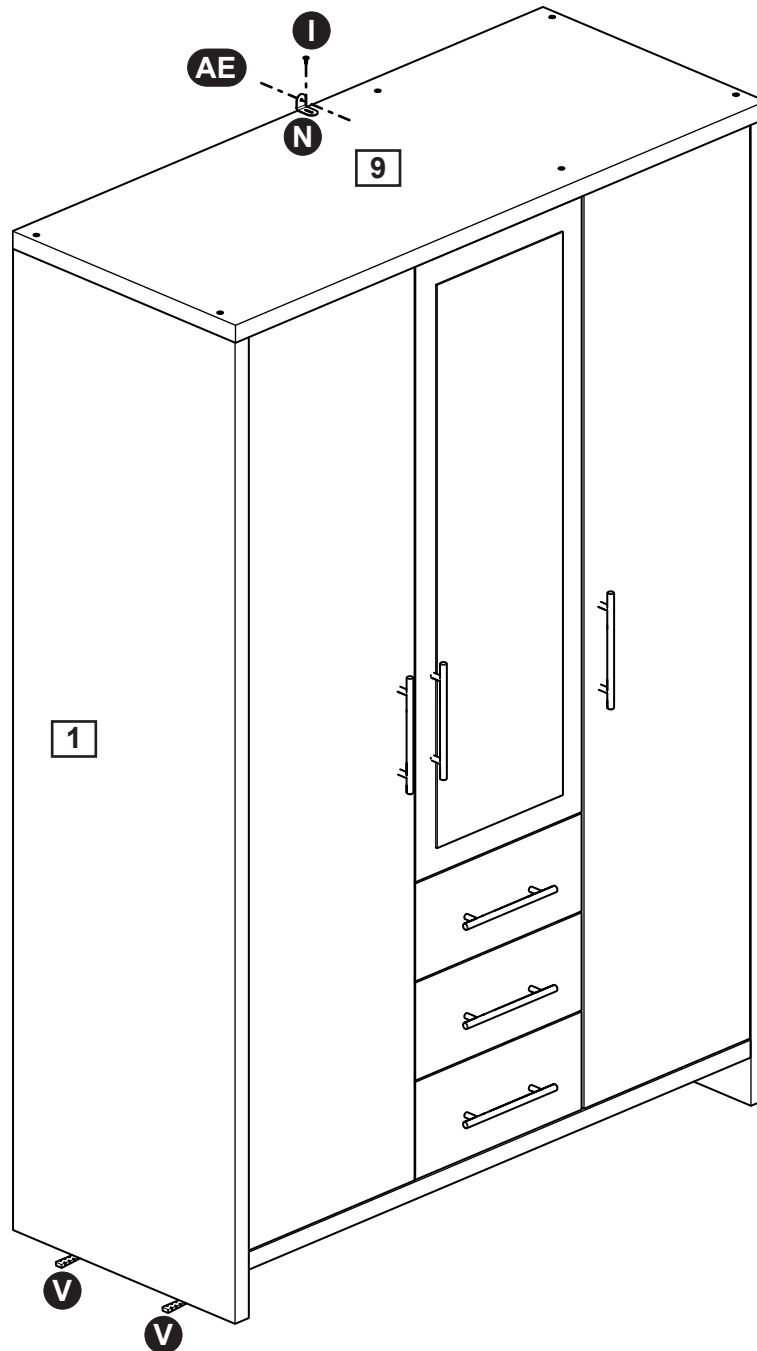
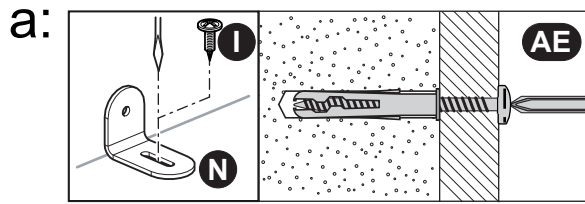
a: Position L-bracket **N** on top **9** as shown, fix using screw **I**.

Note: there is no pre-drilled hole for screw **I**.

Use wall plug & parker screw **AE** to fix on the wall, please see page 'Wall Mounting & Fixings' for more information.

b: Before adjusting the doors, use a spirit level to check if the base of this unit is level front-to-back and side-to-side in the three positions shown.

Use peg **V** to square your furniture. Knock peg **V** in, as far as you require, under the end of the side of the furniture. Then snap off flush with the side.



Assembly is complete.

If you need help or have damaged or missing parts, call the **Customer Helpline:**
Argos 03456 400 800

A Guide to - Hinge adjustment

Adjustment

a: To move doors up or down: loosen screws shown and move doors to suit.

Once doors are aligned, re-tighten.

b: To move doors in or out: loosen screw shown and move doors to suit.

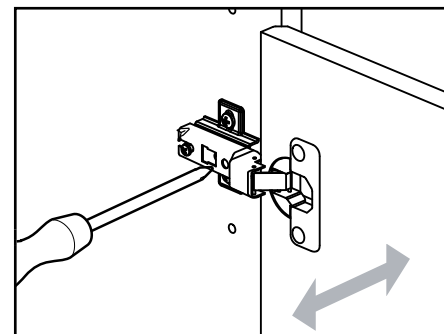
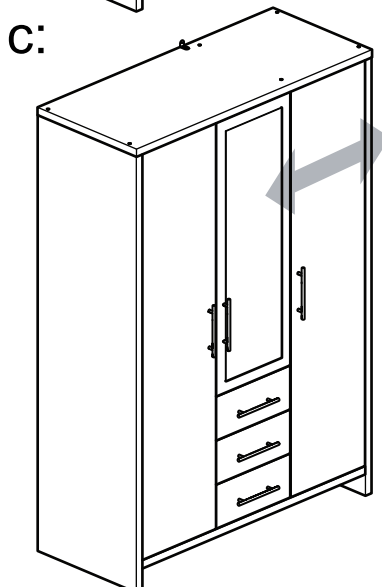
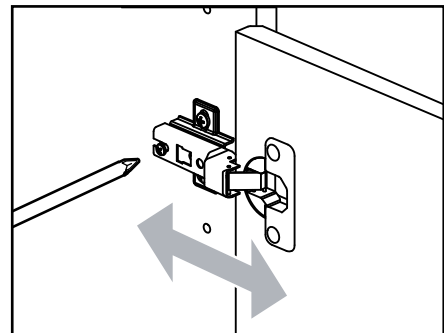
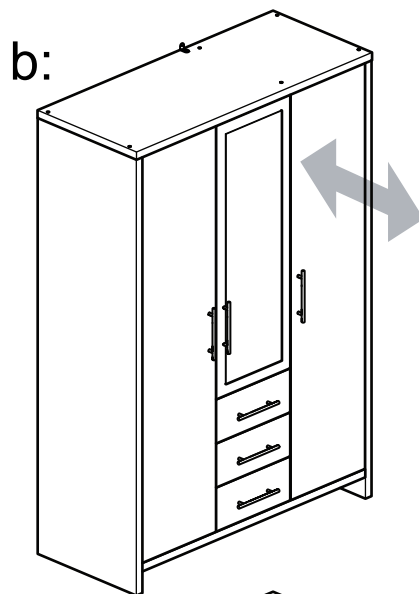
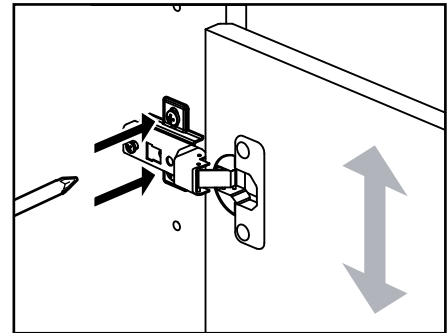
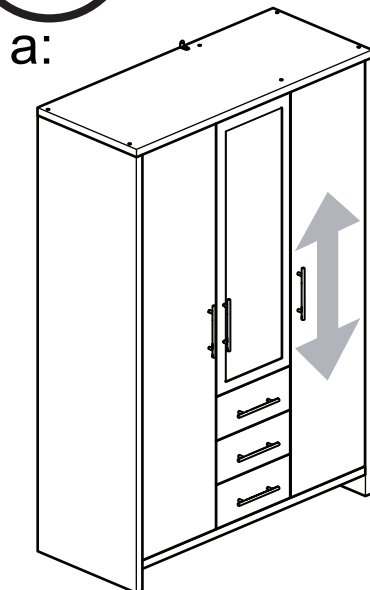
Re-tighten screws.

c: To move doors left or right: loosen screw shown and move doors to suit.

Re-tighten screws.



Warning: Do not use an electric screwdriver to attach the hinges as this can weaken the fixing.



A Guide to - Drawer adjustment

Adjustment

Note: Each drawer can be adjusted for approximately 1mm up or down on each side of the drawer.

Remove drawer, adjust the wheel from runner left part A and runner right part A as shown.

Insert drawer.

Repeat above steps until the desired result is achieved.

AA

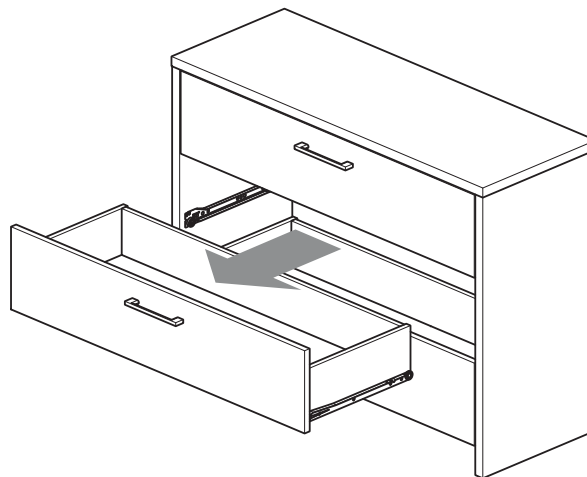


Runner left part A x 2

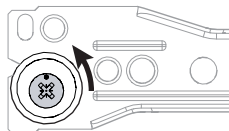
AC



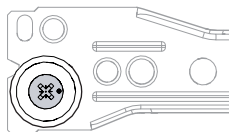
Runner right part A x 2



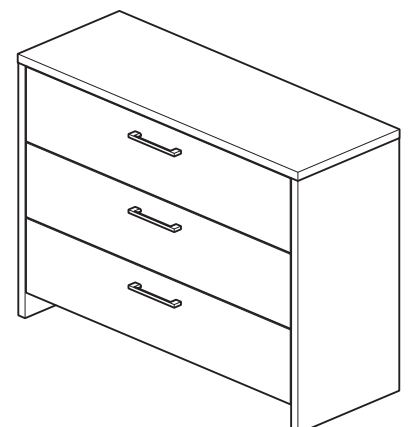
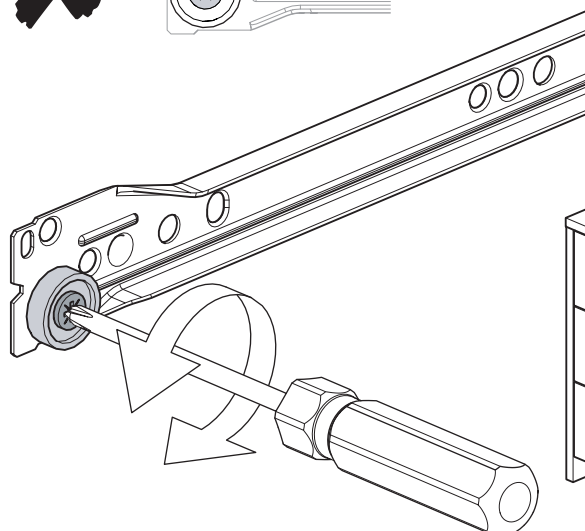
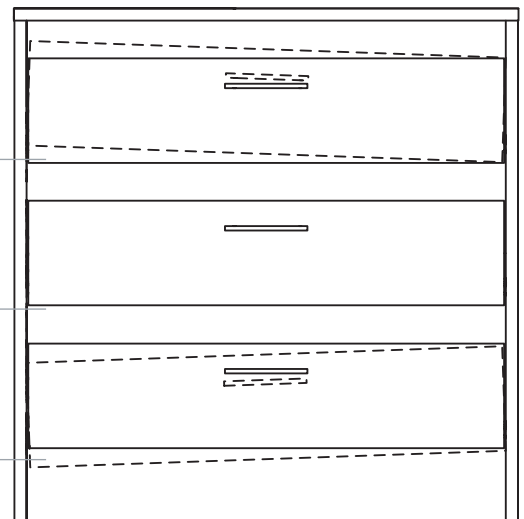
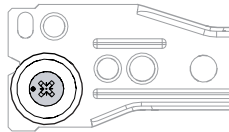
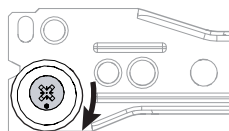
+1 mm



0



-1 mm



A Guide to - Wall Mounting & Fixings

Important note:

If plastic wall plugs are supplied with your product:



- these are only suitable for use in masonry walls.

If you are in any doubt about the correct wall plugs for your wall, seek professional advice.


Failure of the product due to using incorrect fixings is the responsibility of the installer.



Important: When drilling into walls always check that there are no hidden wires or pipes etc.

Make sure that the screws and wall plugs being used are suitable for supporting your unit. Consult a qualified tradesperson if you are unsure.

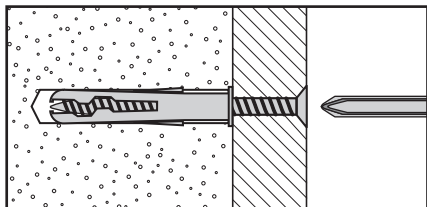
Hints:

- 1: General rule:**  Always use a larger screw and wall plug if you are not sure.
- 2:** Ensure you use the recommended drill bit to match the wall plug and hole size.
- 3:** Ensure you drill the hole horizontally, do not force the drill or enlarge the hole.
- 4:** Take extra care when drilling high walls, ceilings and ceramic tiles. Ensure wall plugs are inserted beyond the thickness of the ceramic tiles to avoid the tiles splitting or cracking.
- 5:** Ensure wall plugs are well fitted and are a tight fit in the drilled hole.

Types of walls

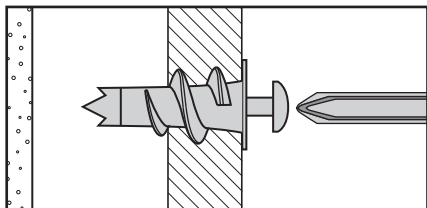
You can use one of the following types of wall plug if your walls are made of brick, breeze block, concrete, stone or wood.

No.1 "General Purpose" wall plug



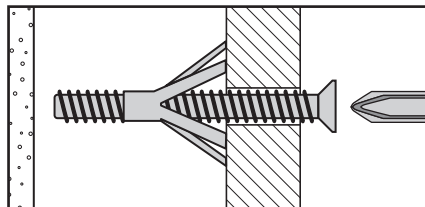
Generally aerated blocks should not be used to support heavy loads, use a specialist fitting in this case. For light loads, general purpose wall plugs can be used.

No.2 "Plasterboard" wall plug



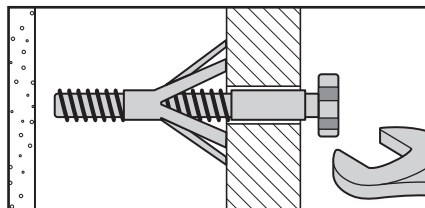
For use when attaching light loads on to plasterboard partitions.

No.3 "Cavity Fixing" wall plug



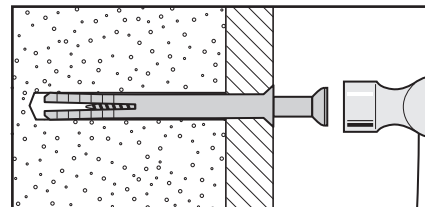
For use with plasterboard partitions or hollow wooden doors.

No.4 "Cavity Fixing-Heavy Duty" wall plug



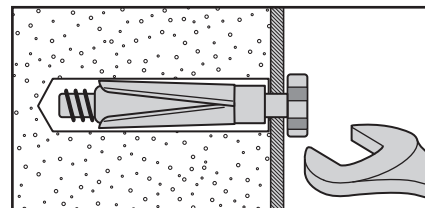
For use when fitting or supporting heavy loads such as shelving, wall cabinets and coat racks.

No.5 "Hammer Fixing" wall plug



For use with walls stuck with plasterboard. The hammer fixing allows it to be fixed to the wall rather than the plasterboard. Always check the fixing is secure to the retaining wall.

No.6 "Shield Anchor" wall plug Heavy loads



For use with heavier loads such as TV & HiFi speakers and satellite dishes etc.



Care & Maintenance

Safety: Always check the fitting and location to ensure your safety in and around the home.

Fitting: From time to time check the fitting to ensure the wall plugs or screws do not become loose.