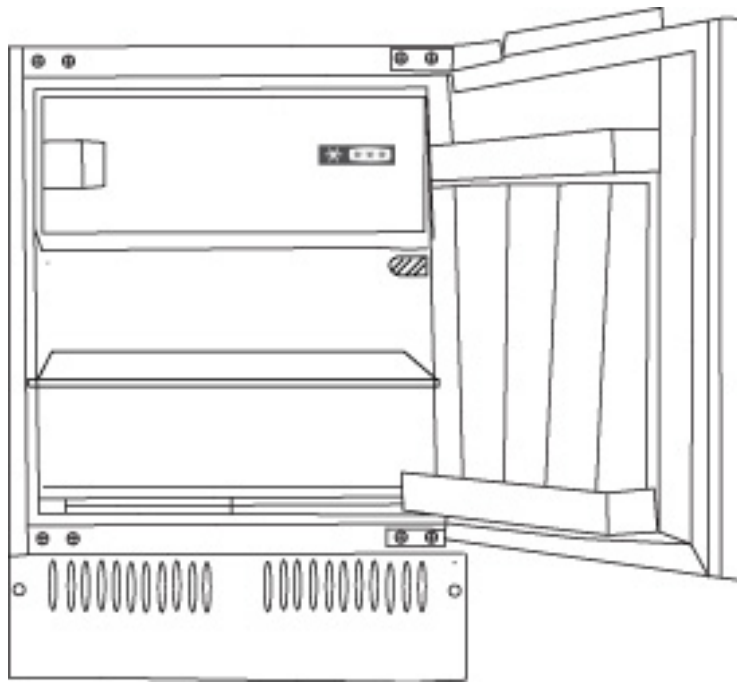


USER MANUAL

ONE DOOR



INSTRUCTION MANUAL

LANGUAGES

Italiano	4
English	12
Français	20
Español	29
Deutsch	38
Portuguese	46
Nederlands	55
Ελληνικά	64
Polski	73
Čeština	82

Thank you for purchasing this product.

Before using your refrigerator, please carefully read this instruction manual in order to maximize its performance. Store all documentation for subsequent use or for other owners. This product is intended solely for household use or similar applications such as:

- the kitchen area for personnel in shops, offices and other working environments

- on farms, by clientele of hotels, motels and other environments of a residential type

- at bed and breakfasts (B & B)

- for catering services and similar applications not for retail sale.

This appliance must be used only for purposes of storage of food, any other use is considered dangerous and the manufacturer will not be responsible for any omissions. Also, it is recommended that you take note of the warranty conditions. Please, to obtain the best possible performance and trouble free operation from your appliance it is very important to carefully read these instructions. Failure to observe these instructions may invalidate your right to free service during the guarantee period.

SAFETY INFORMATION

This guide contains many important safety information. Please, we suggest you keep these instructions in a safe place for easy reference and a good experience with the appliance.

The refrigerator contains a refrigerant gas (R600a: isobutane) and insulating gas (cyclopentane), with high compatibility with the environment, that are, however, inflammable.



Caution: risk of fire

If the refrigerant circuit should be damaged:

- Avoid opening flames and sources of ignition.

Thoroughly ventilate the room in which the appliance is situated

WARNING!

- Care must be taken while cleaning/carrying the appliance to avoid touching the condenser metal wires at the back of the appliance, as you might injure your fingers and hands or damage your product.
- This appliance is not designed for stacking with any other appliance. Do not attempt to sit or stand on top of your appliance as it is not designed for such use. You could injure yourself or damage the appliance.

- Make sure that mains cable is not caught under the appliance during and after carrying/moving the appliance, to avoid the mains cable becoming cut or damaged.
- When positioning your appliance take care not to damage your flooring, pipes, wall coverings etc. Do not move the appliance by pulling by the lid or handle. Do not allow children to play with the appliance or tamper with the controls. Our company declines to accept any liability should the instructions not be followed.
- Do not install the appliance in humid, oily or dusty places, nor expose it to direct sunlight and to water.
- Do not install the appliance near heaters or inflammable materials.
- If there is a power failure do not open the lid. Frozen food should not be affected if the failure lasts for less than 20 hours. If the failure is longer, then the food should be checked and eaten immediately or cooked and then refrozen.
- If you find that the lid of the chest freezer is difficult to open just after you have closed it, don't worry. This is due to the pressure difference which will equalize and allow the lid to be opened normally after a few minutes.
- Do not connect the appliance to the electricity supply until all packing and transit protectors have been removed.
- Leave to stand for at least 4 hours before switching on to allow compressor oil to settle if transported horizontally.
- This freezer must only be used for its intended purpose (i.e. storing and freezing of edible foodstuff).
- Do not store medicine or research materials in the Wine Coolers. When the material that requires a strict control of storage temperatures is to

be stored, it is possible that it will deteriorate or an uncontrolled reaction may occur that can cause risks.

- Before performing any operation, unplug the power cord from the power socket.
- On delivery, check to make sure that the product is not damaged and that all the parts and accessories are in perfect condition.
- If in the refrigeration system a leak is noted, do not touch the wall outlet and do not use open flames. Open the window and let air into the room. Then call a service center to ask for repair.
- Do not use extension cords or adapters.
- Do not excessively pull or fold the power cord or touch the plug with wet hands.
- Do not damage the plug and/or the power cord; this could cause electrical shocks or fires.
- If the supply cord is damaged, it must be replaced by the manufacturer, its service agent or similarly qualified person in order to avoid a hazard.
- Do not place or store inflammable and highly volatile materials such as ether, petrol, LPG, propane gas, aerosol spray cans, adhesives, pure alcohol, etc. These materials may cause an explosion.
- Do not use or store inflammable sprays, such as spray paint, near the Wine Coolers. It could cause an explosion or fire.
- Do not place objects and/or containers filled with water on the top of the appliance.
- We do not recommend the use of extension leads and multi-way adapters.
- Do not dispose of the appliance on a fire. Take care not to damage, the cooling circuit/pipes of the appliance in

transportation and in use. In case of damage do not expose the appliance to fire, potential ignition source and immediately ventilate the room where the appliance is situated.

- The refrigeration system positioned behind and inside the Wine Coolers contains refrigerant. Therefore, avoid damaging the tubes.
- Do not use electrical appliances inside the food storage compartments of the appliance, unless they are of the type recommended by the manufacturer.
- Do not damage the refrigerant circuit.
- Do not use mechanical devices or other means to accelerate the defrosting process, other than those recommended by the manufacturer.
- Do not use electrical appliances inside the food storage compartments, unless they are of the type recommended by the manufacturer.
- Do not touch internal cooling elements, especially with wet hands, to avoid cracks or injuries.
- Maintain the ventilation openings in the appliance enclosure or in the built-in structure, free of obstruction.
- Do not use pointed or sharp-edged objects such as knives or forks to remove the frost.
- Never use hairdryers, electrical heaters or other such electrical appliances for defrosting.
- Do not scrape with a knife or sharp object to remove frost or ice that occurs. With these, the refrigerant circuit can be damaged, the spill from which can cause a fire or damage your eyes.
- Do not use mechanical devices or other equipment to hasten the defrosting process.
- Absolutely avoid the use of open flame or electrical equipment, such as heaters, steam cleaners, candles, oil

lamps and the like in order to speed up the defrosting phase.

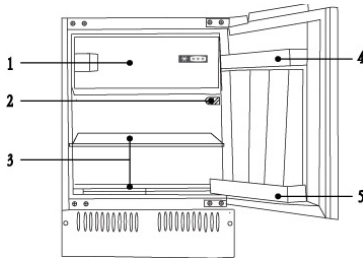
- Never use water wash the compressor position, wipe it with a dry cloth thoroughly after cleaning to prevent rust.
- It is recommended to keep the plug clean, any excessive dust residues on the plug can be the cause fire.
- The product is designed and built for domestic household use only.
- The guarantee will be void if the product is installed or used in commercial or non-residential domestic household premises.
- The product must be correctly installed, located and operated in accordance with the instructions contained in the User Instructions Booklet provided.
- The guarantee is applicable only to new products and is not transferable if the product is resold.
- Our company disclaims any liability for incidental or consequential damages.
- The guarantee does not in any way diminish your statutory or legal rights.
- Do not perform repairs on this Wine Coolers. All interventions must be performed solely by qualified personnel.

SAFETY CHILDREN!

- If you are discarding an old product with a lock or latch fitted to the door, ensure that it is left in a safe condition to prevent the entrapment of children.
- This appliance can be used by children aged from 8 years and above and by persons with reduced physical, sensory or mental capabilities or with a lack of experience and knowledge; provided that they have been given adequate supervision or instruction concerning how to use the appliance in a safe way and understand the hazards involved.

- Children should not play with the appliance. Cleaning and user maintenance should not be made by children without supervision.

REFRIGERATOR DIAGRAM



1. Freezing compartment
2. Temperature Controller
3. Shelves
4. Egg tray/door rack
5. Bottle rack

This diagram may vary slightly with the layout of the refrigerator you have just purchased due to technical improvements.

PREPARATION

Unpacking

Remove all packaging materials.

Check attachments and materials

Please check that your appliance comes with all quoted accessories and that all components are in good condition.

Ensure proper location of the refrigerator

Clean the refrigerator before first use.

Ensure the appliance is located out of direct sunlight and away from other heat producing appliances.

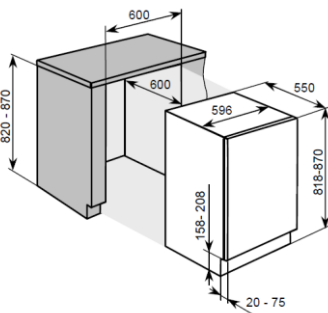
See also ventilation requirements (below).

Idle time

After the refrigerator has been sited and cleaned, let it stand for more than 30 minutes before connecting the power source.

Ventilation

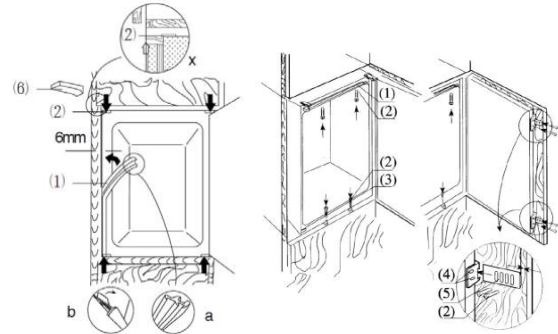
- * Level the appliance with a spirit level and a try square. The appliance has adjustable feet.
- * A minimum gap of 38mm must be maintained at the back of the appliance for ventilation.
- * Do not cover the air inlet at the front of the appliance and allow for 200cm² air flow through plinth.
- * Check the position of the power socket for usability and check the AC voltage is compatible with the data shown on the rating plate which can be found left inside wall of the appliance next to the salad crisper drawer(s). The power supply must be suitably earthed.



Built-under Installation (Figure 2)

1. Check that the kitchen unit door is in the correct operating position.
2. Run the mains cable through the unit aperture so that it can be connected to the power supply after installing the appliance. Remove the cover (6) only if space is restricted.
3. Place the refrigerator into the kitchen unit. Fix the mountings (1) with screws (2) onto the upper frame when two third of the refrigerator has been pushed in. Then push the refrigerator in completely, ensuring that the gib clamp of the mountings stuck on the horizontal frame of the kitchen

- unit. Adjust the position of the refrigerator making a 6mm space between inside wall of the kitchen unit and external sides of the refrigerators. Fix the mountings to the horizontal frame of the kitchen unit with screws.
4. Insert the seal in the aperture (approx. 10mm) between the lower front frame and bottom board of the kitchen. Fix lower mountings (3) to the lower front frame with screws (2). Fix the lower mountings to the bottom board of the kitchen unit with screws (2).
5. Properly insert seals in the apertures on the left, upper and right sides of the refrigerator.
6. Fix the door to the holders (4) (each upper and lower position has one) with screws (2). Press close the doors of the refrigerator and of the kitchen unit, and then completely open the doors, and then place the connecting plate (5) to the corresponding holder and fix it to the door of the kitchen unit (space between the connecting plate and the edge of the kitchen unit "t" equals to the thickness of the external board of the kitchen unit, about 20mm). Adjust the connecting element so that the handle side of the kitchen unit door does not make contact with the unit body when closed. (Approximately 1mm gap for large appliances), mount the second door connecting element where appropriate.
7. Plug the open hole in the appliance door.

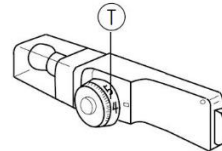


(Figure 2)

OPERATION

Starting the refrigerator

After connecting to the power supply, turn the temperature controller clockwise from position 0 to any position between 1 and 7 to start the refrigerator. The refrigerator compressor will stop when the temperature controller is at position 0.



Adjusting the temperature:

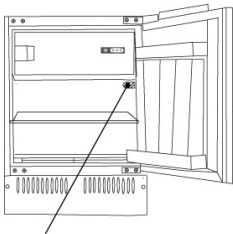
The temperature inside the refrigerator is adjusted by turning the temperature controller. Positions 1 to 7 represent different temperatures from the lowest to the highest.

Position	Conditions
1-2	Summer or ambient temperature between 25-35 °C
3-4	Spring, autumn or ambient temperature between 15-25 °C
4-5	Winter, or ambient temperature between 5-15 °C
6-7	Quick freeze

Caution: Some time will be required for the refrigerator to reach the set level when temperature adjustments are made. The length of this period is determined by difference in the existing and set temperatures, the ambient temperature, the frequency with which the door is opened and closed and the amount of food in storage.

Loading the refrigerator with food

When the refrigerator is switched on, do not load food until 1 ~ 2 hours have passed. Usually, food for cold storage or deep freezing can be loaded when the temperature inside the compartment reaches the set point.



Thermostat

INSTRUCTIONS

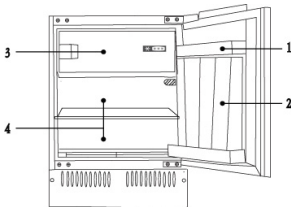
Cold storage is for short-term food

Storage or for daily consumption.

Although the temperature in most parts of the cold storage compartment can be regulated between 0 and 10 degrees Centigrade, extended periods of food storage is not recommended. Cold storage should only be used for short-term storage.

Cold storage compartment

1. Eggs and butter
2. Beverages and bottled drink
3. Food to be frozen
4. General food, meat, vegetables, etc.

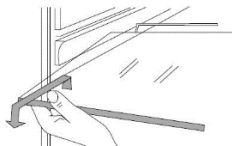


Cautions for cold storage

- * Hot food must be cooled to room temperature before storing in the refrigerator
- * Dry any water droplets on the food before placing it in the refrigerator.
- * It is recommended that food be sealed in suitable storage bags before being placed in the refrigerator; this will prevent moisture in the food from evaporating and prevent vegetables and fruit from withering or altering in flavor.
- * Do not store excess quantities or weights of food; food should be stored with spaces in between for better storage results. Never overload shelves, as they may collapse under excessive loads.
- * Food to be stored should be sorted according to consumer requirements. Food consumed daily should be placed in the most convenient area, this will minimize opening periods for the door. Do not place food too close to the internal walls.

Food holder cleaning

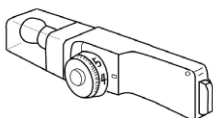
- * Food holders can be taken out for cleaning



Lamp & Replacement:

Lamp: 240V, 10W
Lamp holder: E14 (lamps exceeding 15W must not be used)

- * For replacement, unplug to disconnect the Power
- * Remove the lamp by turning anti-clockwise



Instructions for food storage

- * Storage period will be extended if vegetables are placed with their roots towards the cold source.
- * Leaves of carrots or turnips should be removed before storage
- * Put a wad of tissue on the bottle holder before placing bottles on it so that later cleaning is easier
- * Frozen food can be placed in the cold compartment before serving, as this will conserve energy.
- * Onions, garlic, ginger, water chestnuts and other root vegetables should not be stored in the refrigerator, as these foods are suitable for long-term storage at normal temperatures.
- * Ripe squash, melon, papaw, bananas and pineapples should not be stored in the refrigerator. Freezing will accelerate the ripening process.

Long-term storage of food

As the freezer storage temperature is very low, fresh food can be stored in the freezer compartment for a long time. Food requiring long-term can be stored in the frozen food compartment. Attention should be paid to the storage information printed on the food packing.

Frozen food storage

- * The recommended weight of fresh food is less than 2 kg.
- * Hot food should not be stored in the refrigerator until it has cooled down to room temperature.
- * The outside of any food packing should be dried before storage in the freezer, and any packing materials should be odor-free, airtight, non-poisonous and nontoxic.
- * Only remove the required amount of food from the refrigerator. Defrosted food cannot be re-stored in the freezer unless it is first cooked.
- * Food cut into small portions will freeze faster and be easier to defrost and cook. The recommended weight for each portion is less than 1.5 kg.
- * Do not put in bottled beer or drinks.
- * Do not touch frozen food wet-handed.

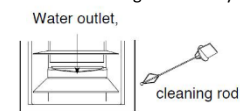
Making water-ice

- * Pour water into the water ice mould up to three-quarters of the mould volume, and then place the mould in the freezing compartment.
- * Do not use a knife or other metal tools to take the ice out of the mould.
- * The ice can be easily removed by hand after the mould has been placed in warm water for a short time.

DEFROSTING CLEANING DE COMMISSIONING

Defrosting the cold storage compartment

The cold storage compartment is designed for automatic defrosting. Frost formed on the back wall will melt and flow via the drainpipe to the evaporating container over the compressor on the back of the refrigerator, where the heat generated by the compressor will evaporate the water.



Caution: Always keep the drain over the vegetable and fruit tray clear to ensure the normal flow of defrosted water. Use the rod provided to clear any blockages.

Defrosting the freezer

After a period of operation, a layer of frost will form on the surface of the freezer. Additional electricity will be consumed if this layer becomes too thick. The defrosting process must be carried out when a thick layer of frost has been formed. To defrost the freezer, first disconnect the power by unplugging the refrigerator, and then remove any food from the refrigerator and place it in a cool place. Use a plastic defrosting tool. After ice and frost are melted, wipe up the inside of the freezer compartment.

Caution: Never use a metal tool or electrical heater for defrosting.

After the defrosting is completed, plug in the refrigerator and it starts operation again.

Power failure

Even in summer, food can be stored in the refrigerator for a few hours after a power failure.

- * Don't put additional food into the refrigerator during a power failure.
- * Avoid opening the door during power failures
- * If prior notice of a power failure is given, make some ice and put it in a container in the top of the cold storage compartment.

Caution: temperature in the refrigerator will rise during a power failure or in the event of technical problems, and the storage period will be reduced.

Cleaning

The refrigerator should be cleaned regularly to prevent the formation of bad odors.

- * Disconnect the power before cleaning the refrigerator.
- * Do not use a hard brush, steel brush, detergent, gasoline or other solvents, hot water, acid or alkali for cleaning.
- * Wipe water drops on the surface of the refrigerator with a soft cloth.

- (1) Do not use excessive amounts of water for cleaning the refrigerator
- (2) Use a dry cloth to clean the switch, the lamp and the temperature controller

- * Always keep the rubber door seal clean
- * Clean the back and sides of the refrigerator regularly.

Cessation of Operation

If the power failure lasts for an extended period, unplug the refrigerator and clean the refrigerator as previously described. Keep the door of refrigerator open when the power is turned off to prevent any food remaining in the compartment from producing bad odors.

Caution: It is recommended that the refrigerator is not turned off

During Vacations

- * Remove any food from refrigerator if the vacation is short. Turn the temperature selection knob to the proper position, and make sure that the door of the refrigerator is properly closed.
- * If the vacation is long, take out the food from the refrigerator and disconnect the power. When the frost inside melts, clean and dry the compartment.

Discarding

- * Remove the door of the refrigerator when you get rid of it, in case children may get trapped in.

Moving the refrigerator

- * Unplug the refrigerator
- * Remove any food
- * Tightly close the door with tape

QUESTIONS AND ANSWERS

Events below are the problems:

- * The temperature of the refrigerator and the compressor will rise and the compressor will run for comparatively longer periods when the refrigerator is first started.
- * Wipe water drops on the external surface of the refrigerator with a soft cloth.
- * When the refrigerator is opened frequently or stay open too long in humid seasons, the cavity will be dampened.
- * A slight sound will be heard when the liquid refrigerant circulates or when the compressor switched on and off.
- * A slight sound will be heard when defrosted water drops into the evaporating dish.
- * The compressor will operate for comparatively longer periods if excessive quantities of food are stored or the ambient temperature is high.
- * The evaporator will produce odors if the compartment is not cleaned.

Caution: The refrigerator should never be restarted until a period of at least five minutes has elapsed.

Please determine the cause of the problem before making any repairs.

Phenomena	Causes
Refrigerator will not start	* Bad connection to power source (plug, socket and fuse) * The temperature knob is at the 0 position * Low voltage

The lamp does not blink	*Bulb failure * Power supply not connected * The temperature knob is at the 0 position
Excessive noise	*Uneven placement *Contact between the refrigerator and a wall or other article
Compressor operates for a long period or temperature does not reach set point	* First time of operation * Excessive food stored * Frequent opening of the refrigerator door due to hot weather * The temperature controller is not set properly * Refrigerator is in direct sunlight, or close to a heat source * Poor ventilation, or dirt on the condenser
Food dry	* Food not properly covered or sealed
Thick frost on frozen food	* Door is not properly closed * Frequent opening of the refrigerator door * Frost inside food bags is normal
Strange odor	* Failure to seal food properly * Rotting food inside refrigerator * Refrigerator should be cleaned. See "Cleaning"

DOOR REVERSAL

1. Unplug the appliance before reversing the door opening direction.
2. Remove food from the appliance.
3. Remove caps on the front of the refrigerator body (Fig. 1, Fig 2).
4. Remove the two screws, which attach the upper hinge to the appliance door (Fig. 3). Take special care and hold the appliance door vertically.
5. Holding the door, swing the upper door hinge away from the door using the other hand (Fig. 4).
Be especially careful during this step, as the hinge may close and cause injury.
6. Remove the two screws, which attach the lower hinge to the appliance door (Fig. 5). Take special care and hold the appliance door with the other hand.
7. Holding the door, swing the lower door hinge away from the door using the other hand, then detach the door from the appliance body (Fig. 6).
8. Remove the two screws, which attach the upper hinge to the body and the two screws holding the lower hinge to the appliance body (Fig. 7).
9. Screw the upper and lower hinge on the opposite side of the appliance body using suitable screws (Fig. 8). Upper hinge should be mounted on the other side of the appliance as the lower hinge. The lower hinge should be mounted on the other side of the appliance as the upper hinge.
- With the hinges open, hold the door parallel to the appliance body and screw the hinges to the door using suitable screws while taking proper care.
10. Make sure that the door is properly aligned with the appliance body (Fig. 9).

INSTALLATION OF THE APPLIANCE

Installation of the appliance should be performed by a qualified installer. The appliance should be placed in furniture case (Fig. 10). Once the appliance is placed correctly, adjust the height of the appliance by turning the 4 adjustable feet as appropriate. If necessary, adjacent Amica appliances should be braced with a bracket fixed by screws and fitted in furniture (Fig. 11). There is a special strip at the top of the appliance. Attach it to the underside of the cabinet with appropriate screws supplied with the assembly kit (Fig. 16). Decorative strip must not block the vents located in the bottom casing unit, the strip must be cut to size (Fig. 17). The depth of the bottom casing unit can be adjusted by moving it forwards or backwards. Once properly adjusted, tighten the mounting screws (located in the openings on both sides of the casing unit) with a cross-head screwdriver. This will permanently attach the casing unit (Fig. 18).

FITTING FURNITURE BOARD TO APPLIANCE DOOR

Place the mounting bracket on furniture board and position it accordingly (Fig. 12). The distance between the furniture board and the underside of the worktop should be 5 mm (Fig. 13). Attach the mounting bracket using suitable screws supplied in the installation kit. Pull out the mounting bracket cover and screw in the two special screws (2) in the appliance doors (Fig. 14). Attach furniture board with the fixed mounting bracket to the appliance door. Secure the furniture board with suitable nuts (item 3, Figure 14). Make sure the furniture board assembly is positioned correctly relative to the appliance (Fig. 15). Using the supplied screws, attach the furniture board assembly to the bottom of the appliance door (Fig. 15). Replace the mounting bracket cover in its original location.

SCRAPPING OLD APPLIANCES



This appliance is marked according to the European directive 2012/19/EU on Waste Electrical and Electronic Equipment (WEEE).

WEEE contains both polluting substances (which can cause negative consequences for the environment) and basic components (which can be re-used). It is important to have WEEE subjected to specific treatments, in order to remove and dispose properly all pollutants, and recover and recycle all materials.

Individuals can play an important role in ensuring that WEEE does not become an environmental issue; it is essential to follow some basic rules:

WEEE should not be treated as household waste.

WEEE should be handed over to the relevant collection points managed by the municipality or by registered companies. In many countries, for large WEEE, home collection could be present.

In many countries, when you buy a new appliance, the old one may be returned to the retailer who has to collect it free of charge on a one-to-one basis, as long as the equipment is of equivalent type and has the same functions as the supplied equipment.

Conformity

By placing the mark **CE** on this product, we are confirming compliance to all relevant European safety, health and environmental requirements which are applicable in legislation for this product.

CANDY HOOVER GROUP S.R.L.
Via Privata Eden Fumagalli
20861 Brugherio Milan Italy