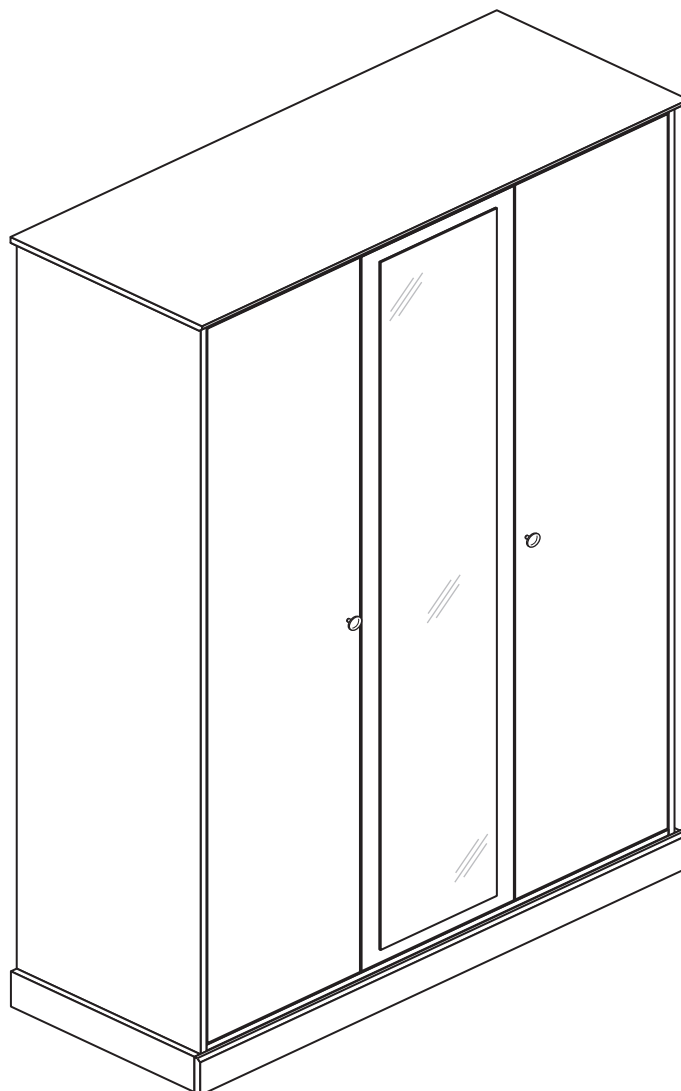


# Kensington - 3 Door Mirror Robe

Assembly Instructions - Please keep for future reference

411/7542

413/6949



## Dimensions

Width - 125.6cm

Depth - 49.5cm

Height - 198.8cm



**MADE IN  
BRITAIN**

**Important** - Please read these instructions fully before starting assembly

If you need help or have damaged or missing parts, please visit [www.argos-support.co.uk](http://www.argos-support.co.uk) or email: [Help@ClickSpares.co.uk](mailto:Help@ClickSpares.co.uk) (quoting your original order number)

Alternatively, call the Spares Helpline on: 0370 112 1928.

For any other queries please contact the Customer Helpline on: 0345 640 2020



# Safety and Care Advice

**Important - Please read these instructions fully before starting assembly**

- **Warning:** This unit weighs approximately 93kgs. Please lift with care.
- Check you have all the components and tools listed on pages 2 and 3.
- Remove all fittings from the plastic bags and separate them into their groups.
- Keep children and animals away from the work area, small parts could choke if swallowed.
- Parts of the assembly will be easier with 2 people.

- Make sure you have enough space to layout the parts before starting.
- Do not stand or put weight on the product, this could cause damage.
- Assemble the item as close to its final position (in the same room) as possible.
- Assemble on a soft level surface to avoid damaging the unit or your floor (use opened out unit carton).



• We do not recommend the use of power drill/drivers **for inserting screws**, as this could damage the unit. Only use hand screwdrivers.

- **Safety note:** It is recommended that this unit is secured to a wall using the overbalance protector kit supplied or, an alternative fixing method of your choice.
- Dispose of all packaging carefully and responsibly.

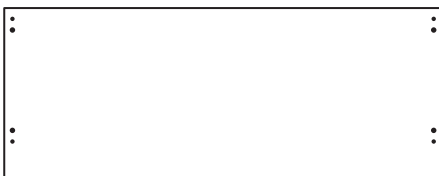
## Care and maintenance

- Only clean using a damp cloth and mild detergent, do not use bleach or abrasive cleaners.
- From time to time check that there are no loose screws on this unit.
- This product should not be discarded with household waste. Take to your local authority waste disposal centre.

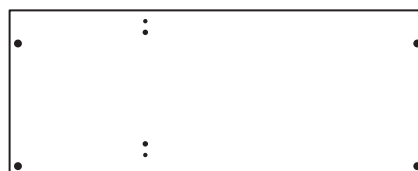
## Components - Panels

If you need help or have damaged or missing parts, please visit [www.argos-support.co.uk](http://www.argos-support.co.uk) or email: [Help@ClickSpares.co.uk](mailto:Help@ClickSpares.co.uk) (quoting your original order number)  
Alternatively, call the Spares Helpline on: 0370 112 1928.  
For any other queries please contact the Customer Helpline on: 0345 640 2020

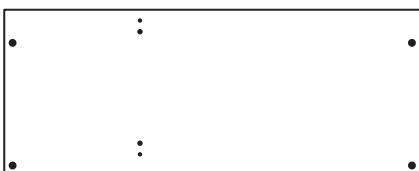
Please check you have all the panels listed below



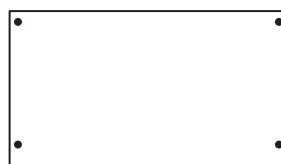
**1** Top (DF3757)  
(125.6 x 49.5cm)



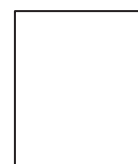
**2** Base (DF3765)  
(119.4 x 47.4cm)



**3** Inner Top (DF3766)  
(119.4 x 47.4cm)



**4** Wide Shelf (DF3761)  
(79.7 x 45cm)



**5** Narrow Shelf (DF3764)  
(38.2 x 45cm) x 4

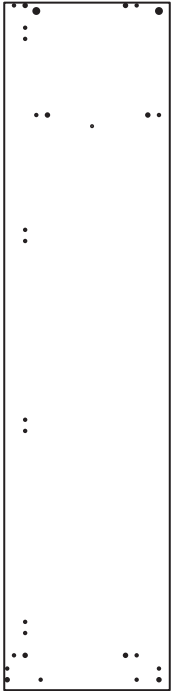
# Components - Panels

If you need help or have damaged or missing parts, please visit [www.argos-support.co.uk](http://www.argos-support.co.uk) or email: [Help@ClickSpares.co.uk](mailto:Help@ClickSpares.co.uk) (quoting your original order number)

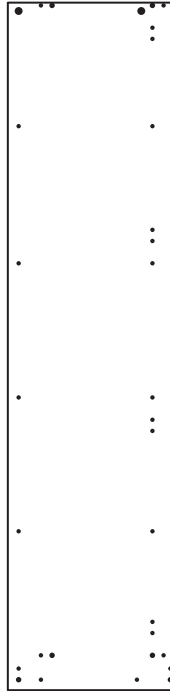
Alternatively, call the Spares Helpline on: 0370 112 1928.

For any other queries please contact the Customer Helpline on: 0345 640 2020

Please check you have all the panels listed below



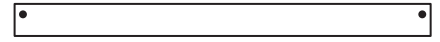
**6** Left Side (DF3758)  
(197.3 x 47.5cm)



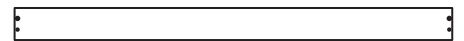
**7** Right Side (DF3759)  
(197.3 x 47.5cm)



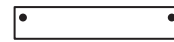
**8** Divider (DF3763)  
(185.1 x 45.1cm)



**9** Rail (DF3760)  
(119.4 x 9.2cm) x 2



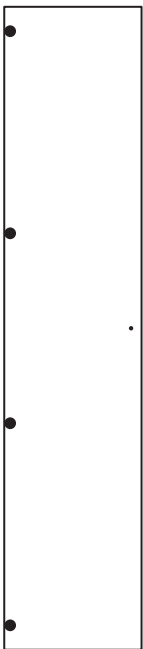
**10** Front Plinth (DF3762)  
(125.6 x 9.2cm)



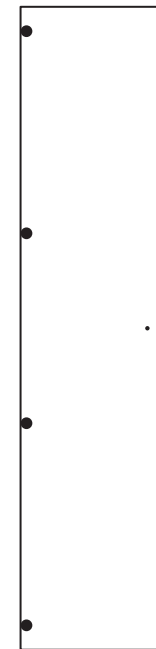
**11** Side Plinth (DF2431)  
(47.5 x 9.1cm) x 2



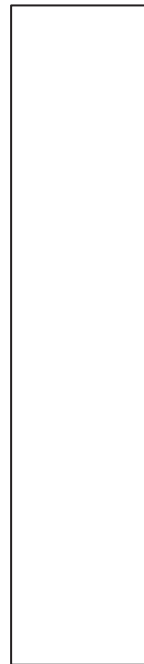
**12** Hanging Rail (FHR791)  
(79.1cm long)



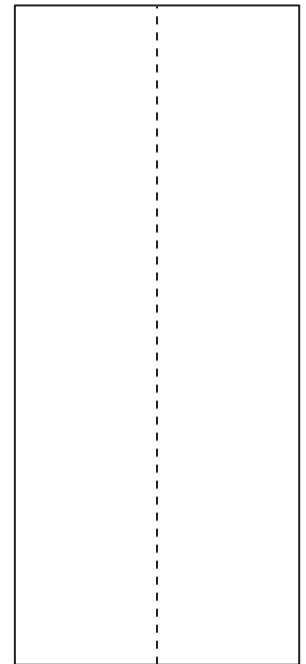
**13** Plain Door (DF3767)  
(184.5 x 39.4cm) x 2



**14** Mirror Door (DF5210)  
(184.5 x 39.4cm)  
(Mirror - SG29  
177.6 x 30cm  
Safety Back SAR)



**15** Small Back (X1892-401)  
(189.2 x 40.1cm)



**16** Large Back (X1892-816)  
(189.2 x 81.6cm)



# Components - Fittings

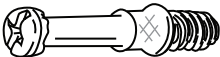








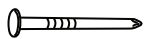
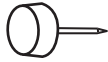
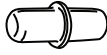
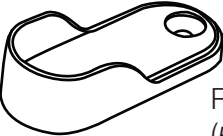

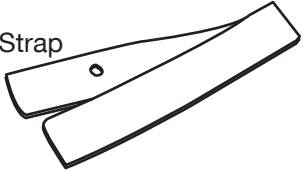



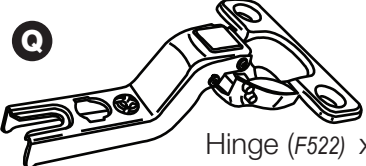
If you need help or have damaged or missing parts, please visit [www.argos-support.co.uk](http://www.argos-support.co.uk) or email: [Help@ClickSpares.co.uk](mailto:Help@ClickSpares.co.uk) (quoting your original order number)

Alternatively, call the Spares Helpline on: 0370 112 1928.

For any other queries please contact the Customer Helpline on: 0345 640 2020

Please check you have all the fittings listed below

**Note:** The quantities below are the correct amount to complete the assembly. In some cases more fittings may be supplied than are required.

|  |  |  |
|--|--|--|
| <p><b>A</b> </p> <p>Metal dowel (F901) x 24</p>   | <p><b>B</b> </p> <p>Large locking nut (F900) x 24</p> | <p><b>C</b> </p> <p>Wooden dowel (F22) x 26</p>   |
| <p><b>D</b> </p> <p>40mm Screw (F910) x 2</p>     | <p><b>E</b> </p> <p>25mm Screw (F50) x 4</p>          | <p><b>F</b> </p> <p>19mm Screw (F461) x 2</p>   |
| <p><b>G</b> </p> <p>13mm Screw (F63) x 28</p>     | <p><b>H</b> </p> <p>Nail screw (F277) x 6</p>         | <p><b>I</b> </p> <p>Back holder (F276) x 6<br/>*These can also be round</p>  |
| <p><b>J</b> </p> <p>Nail (F51) x 42</p>         | <p><b>K</b> </p> <p>Plastic Nail (F91) x 6</p>      | <p><b>L</b> </p> <p>Shelf stud (F110) x 16</p>  |
| <p><b>M</b> </p> <p>Rail Holder (F891) x 2</p>  | <p><b>N</b> </p> <p>Handle (F220) x 2</p>           | <p><b>O</b> </p> <p>Strap</p> <p> Screw  Washer x 2</p> <p>Overbalance protector kit (F269) x 1</p> |
| <p><b>P</b> </p> <p>Hinge plate (F523) x 12</p> | <p><b>Q</b> </p> <p>Hinge (F522) x 12</p>           |  |

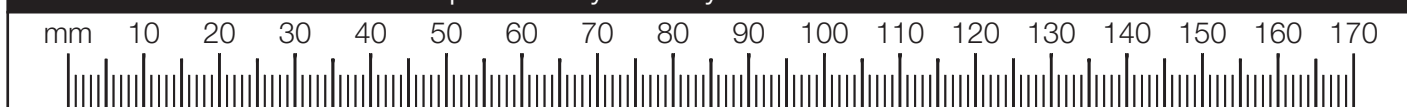
## Tools required

Scissors / Rule / Hammer / Cross-head screwdriver / Square / Spirit level / Step ladder

Eye protection (when using a hammer or drill)

Electric drill (only use when drilling into walls)

Ruler - Use this ruler to help correctly identify the screws



# Assembly Instructions

## Step 1

### Prepare the divider

**a:** Screw 2 metal dowels **A** into the divider **8**.

**Note:** Tighten the metal dowels up fully against the panels.

Insert 2 large locking nuts **B** into the divider **8**.

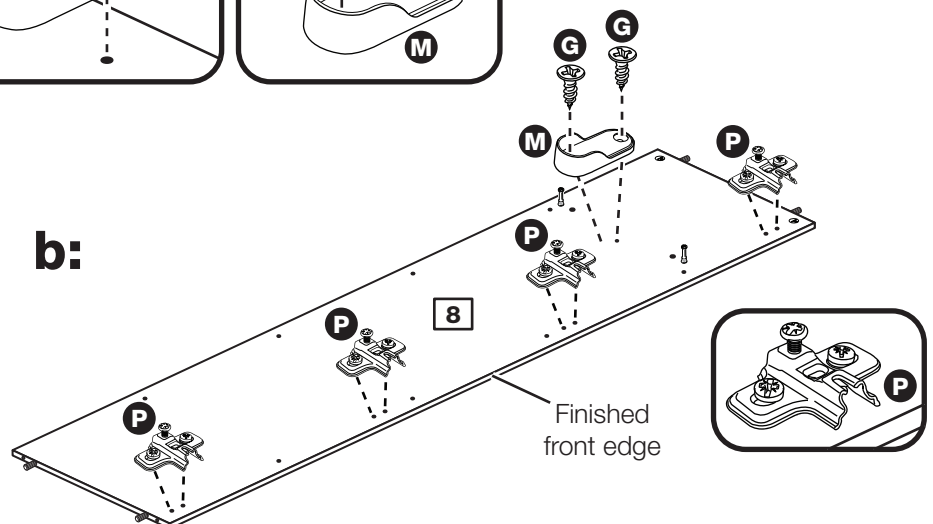
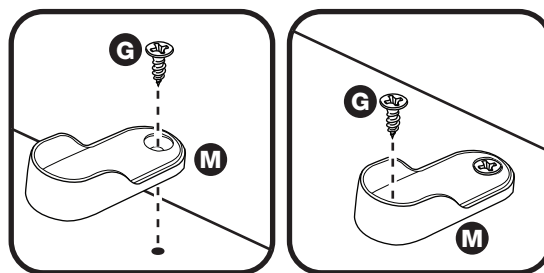
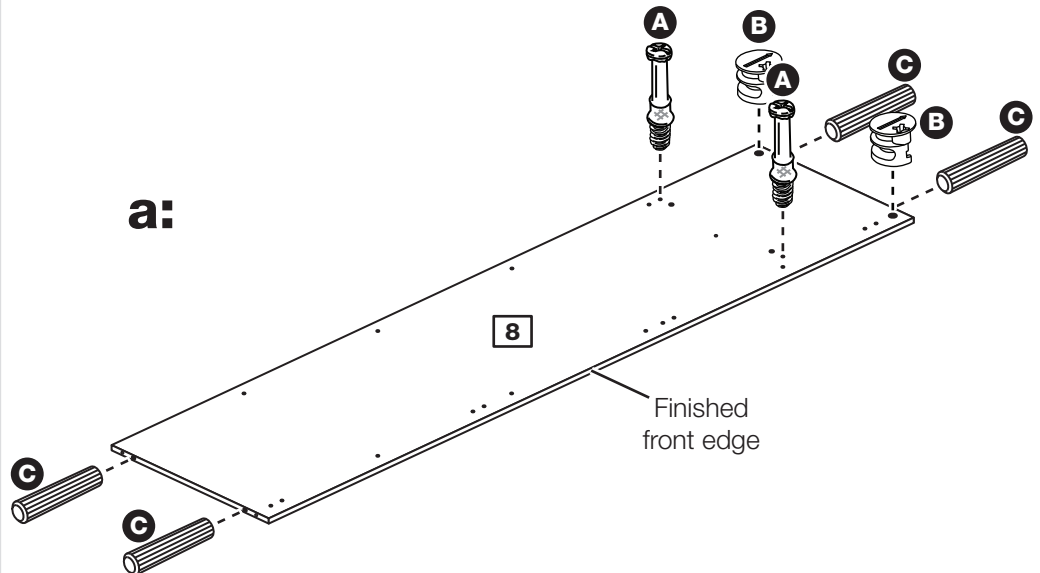
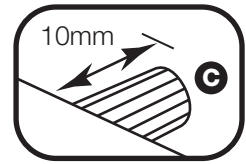
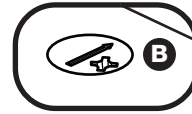
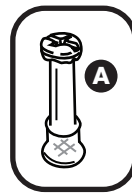
**Note:** The arrow on the locking nut **must** point towards the hole in the edge of the panel.

Tap 4 wooden dowels **C** into the divider **8**.

**Note:** Wooden dowels **must not** stick out from the edge by more than 10mm or they may damage other panels.

**b:** To fit the rail holder **M** screw through the top hole with screw **G** and into the mark hole drilled in the divider **8**. Make sure that it is fitted straight, in line with the panel edges and then fit another screw **G** using the lower hole.

Fit 4 hinge plates **P** onto the divider **8**, making sure that the slot is facing towards the finished front edge.



# Assembly Instructions

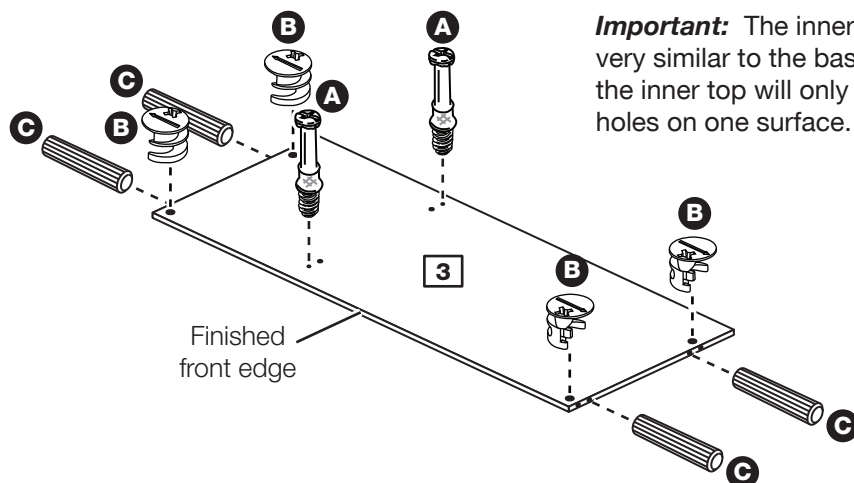
## Step 2

### Prepare the inner top

Screw 2 metal dowels **A** into the inner top **3**.

Insert 4 large locking nuts **B** into the inner top **3**.

Tap 4 wooden dowels **C** into the inner top **3**.



**Important:** The inner top is very similar to the base but, the inner top will only have holes on one surface.

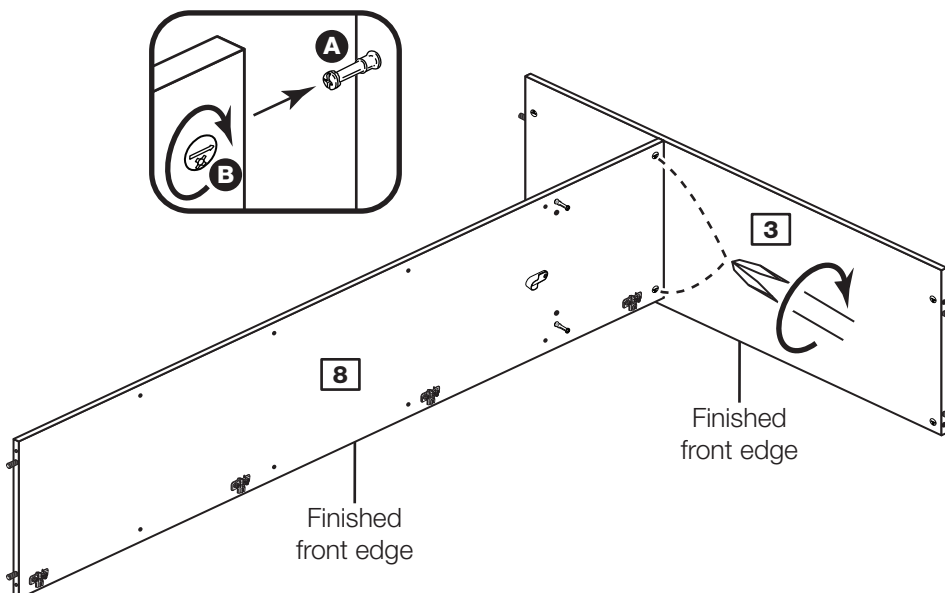
## Step 3

### Fit the inner top to the divider

Push the inner top **3** onto the divider **8**.

Use a screwdriver to tighten the 2 large locking nuts **B** fitted to the divider **8**.

**Note:** Turn the large locking nuts **B** as far as they will go - more than 1/2 a turn.

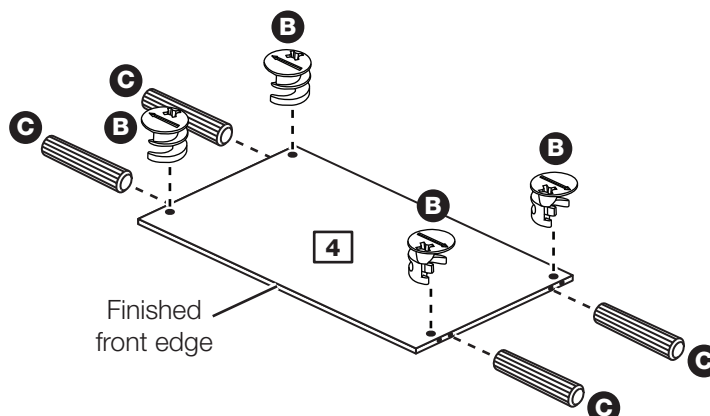


## Step 4

### Prepare the wide shelf

Insert 4 large locking nuts **B** into the wide shelf **4**.

Tap 4 wooden dowels **C** into the wide shelf **4**.



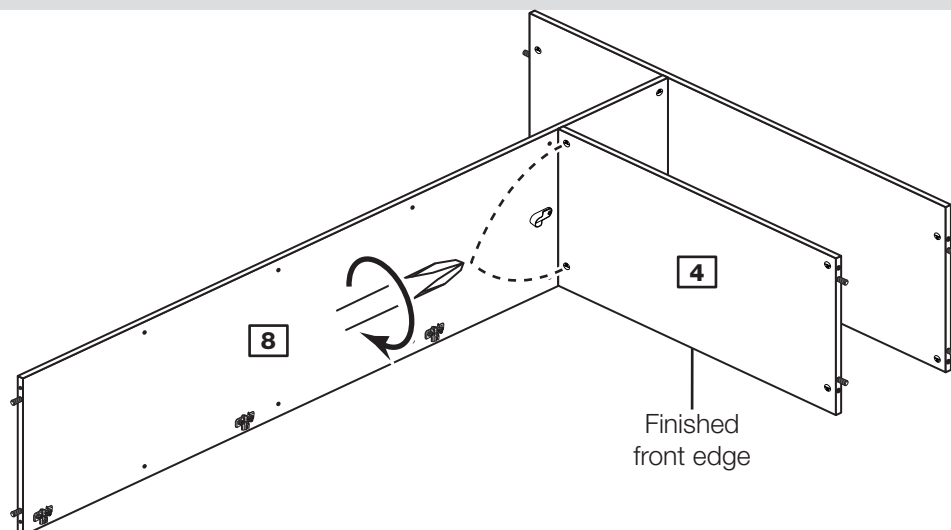
# Assembly Instructions

## Step 5

### Fit the wide shelf

Push the wide shelf **4** onto the divider **8**.

Use a screwdriver to tighten the 2 large locking nuts **B** fitted to the wide shelf **4**.

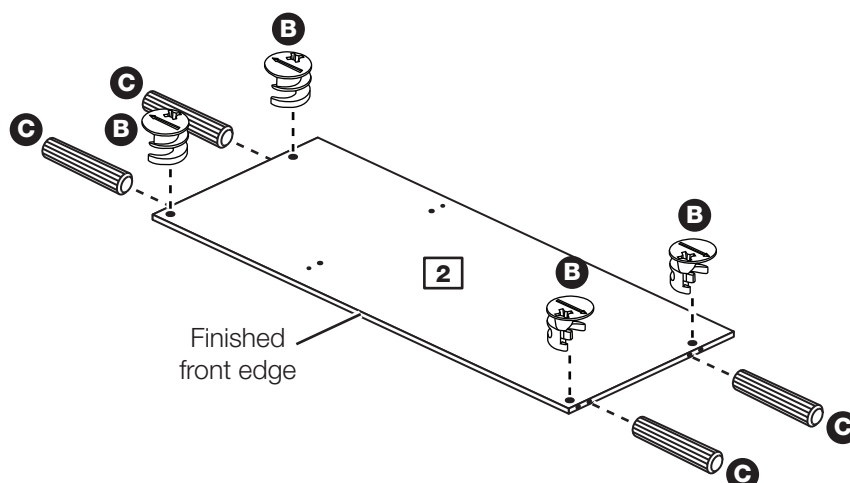


## Step 6

### Prepare the base

Insert 4 large locking nuts **B** into the base **2**.

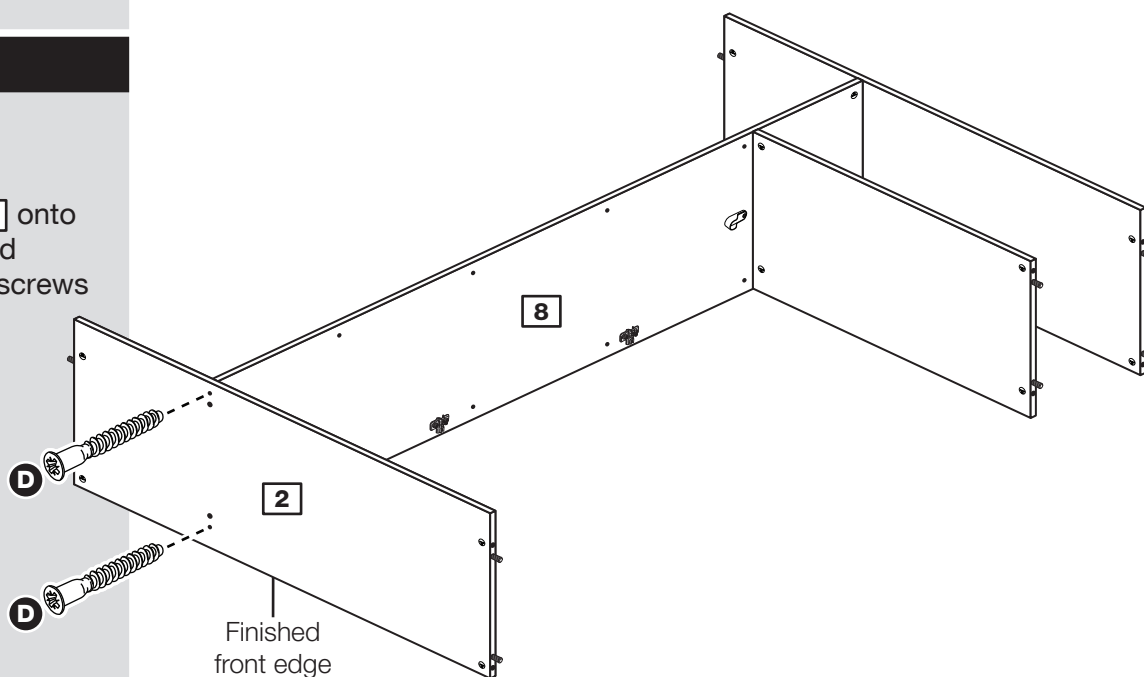
Tap 4 wooden dowels **C** into the base **2**.



## Step 7

### Fit the base

Push the base **2** onto the divider **8** and secure it using 2 screws **D**.



# Assembly Instructions

## Step 8

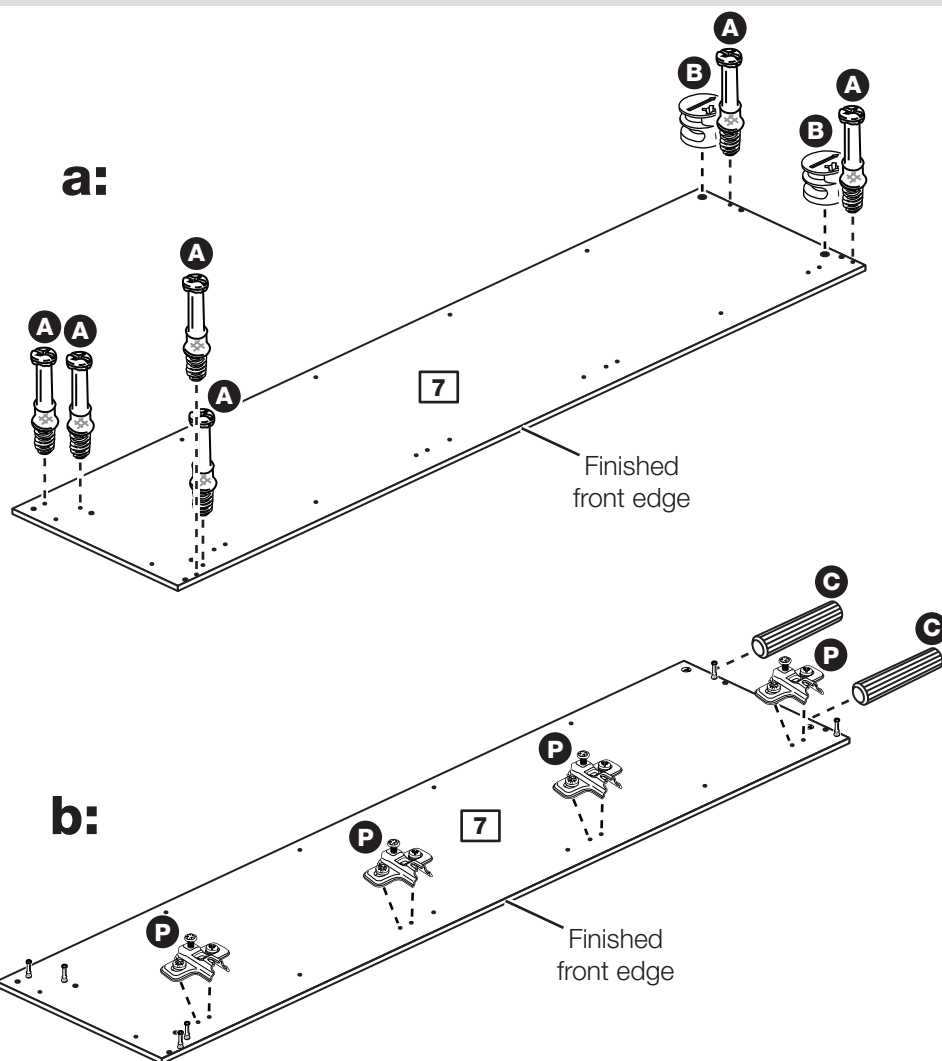
### Prepare the right side

**a:** Screw 6 metal dowels **A** into the right side **7**.

Insert 2 large locking nuts **B** into the right side **7**.

**b:** Tap 2 wooden dowels **C** into the right side **7**.

Fit 4 hinge plates **P** onto the right side **7**, making sure that the slot is facing towards the finished front edge.

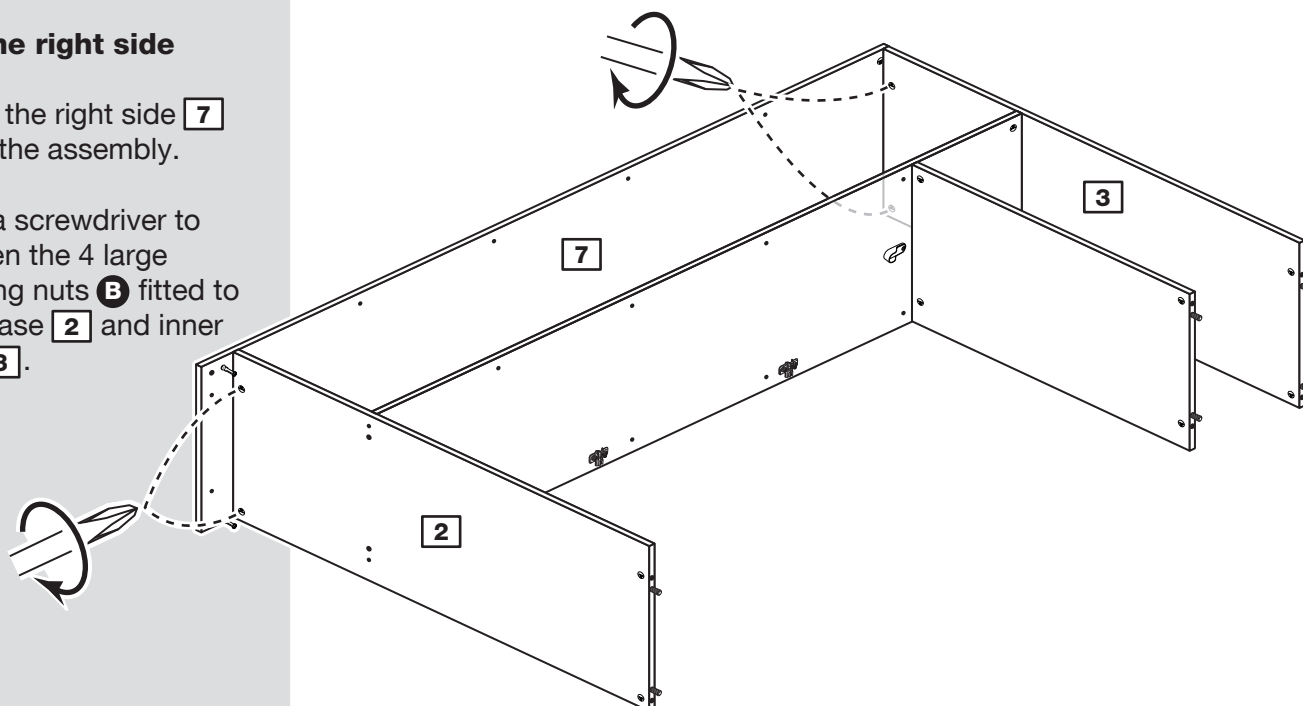


## Step 9

### Fit the right side

Push the right side **7** onto the assembly.

Use a screwdriver to tighten the 4 large locking nuts **B** fitted to the base **2** and inner top **3**.





# Assembly Instructions

## Step 10

### Prepare the left side

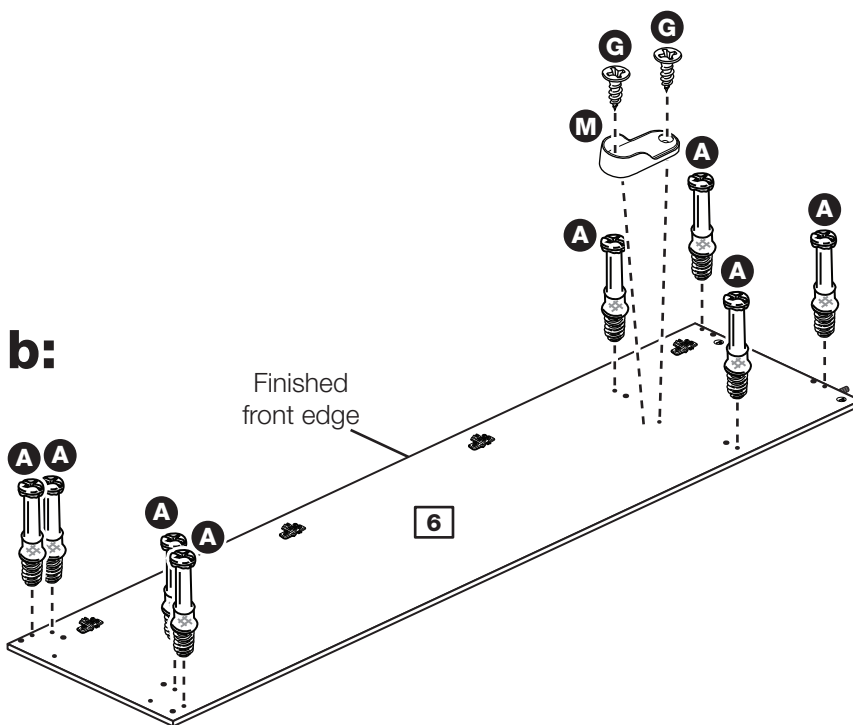
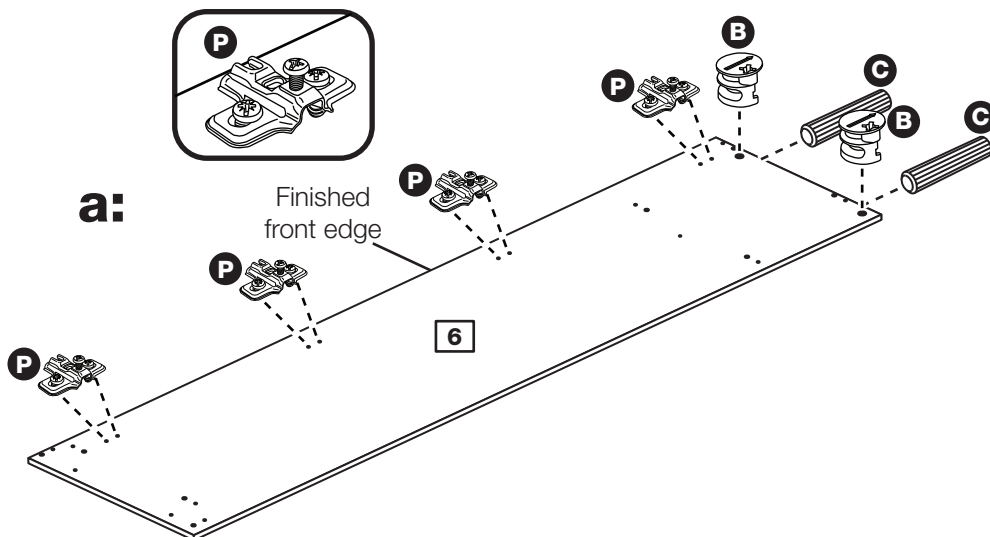
**a:** Insert 2 large locking nuts **B** into the left side **6**.

Tap 2 wooden dowels **C** into the left side **6**.

Fit 4 hinge plates **P** onto the left side **6**, making sure that the slot is facing towards the finished front edge.

**b:** Screw 8 metal dowels **A** into the left side **6**.

To fit the rail holder **M** screw through the top hole with screw **G** and into the mark hole drilled in the left side **6**. Make sure that it is fitted straight, in line with the panel edges and then fit another screw **G** using the lower hole.

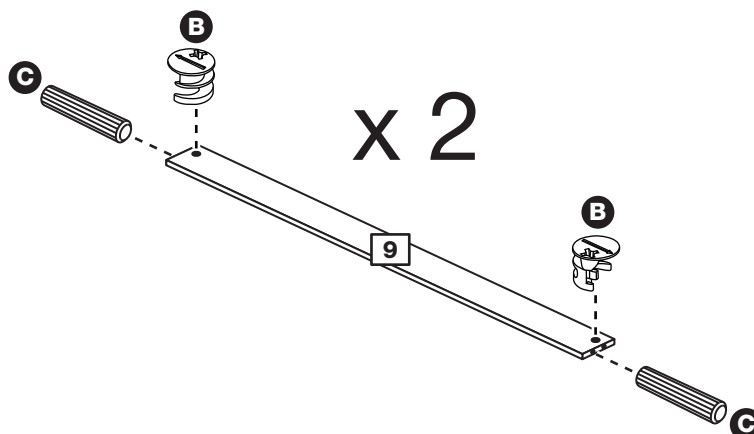


## Step 11

### Prepare the 2 rails

Insert 2 large locking nuts **B** into each of the 2 rails **9**.

Tap 2 wooden dowels **C** into each of the 2 rails **9**.



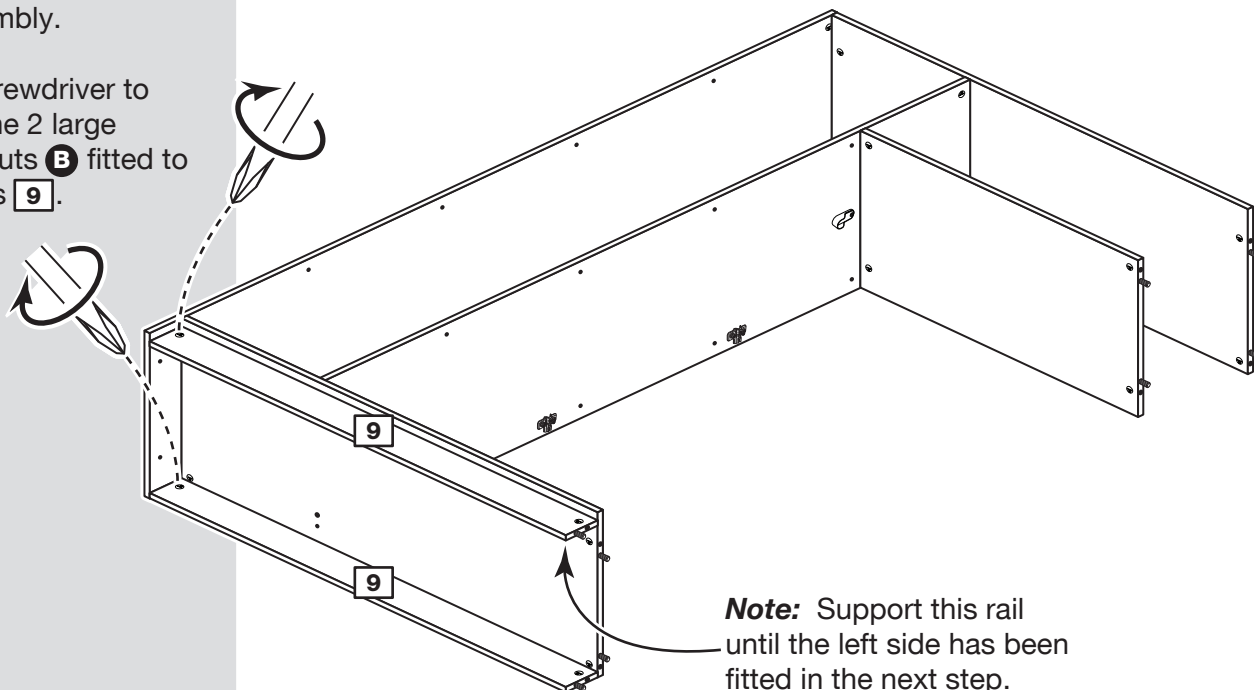
# Assembly Instructions

## Step 12

### Fit the 2 rails

Push the 2 rails **9** onto the assembly.

Use a screwdriver to tighten the 2 large locking nuts **B** fitted to the 2 rails **9**.

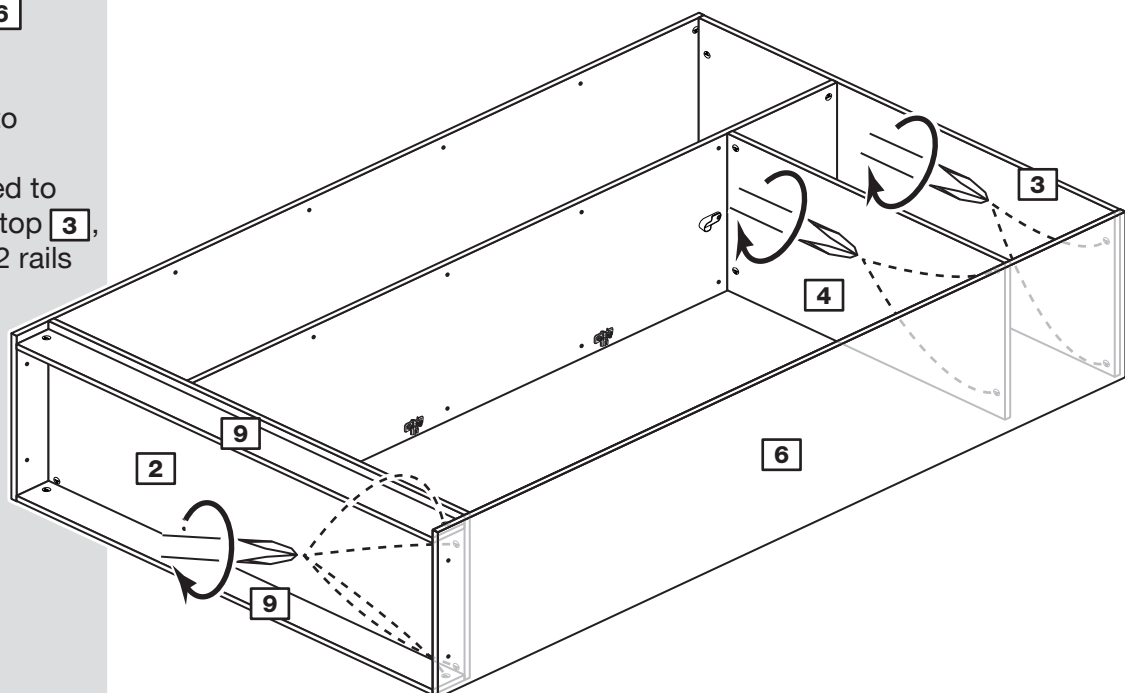


## Step 13

### Fit the right side

Push the left side **6** onto the assembly.

Use a screwdriver to tighten the 8 large locking nuts **B** fitted to the base **2**, inner top **3**, wide shelf **4** and 2 rails **9**.

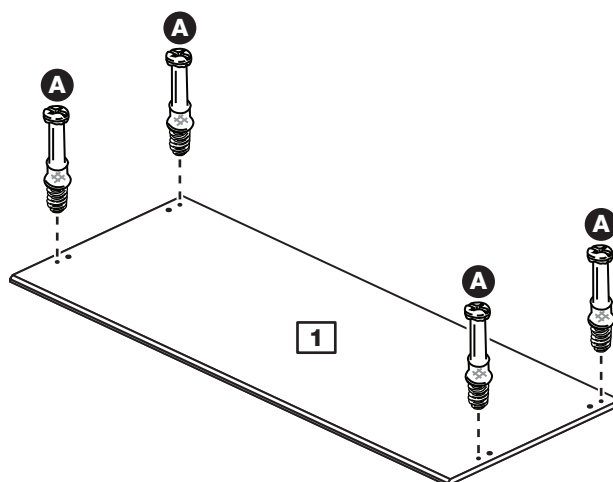


# Assembly Instructions

## Step 14

### Prepare the top

Screw 4 metal dowels **A** into the top **1**.

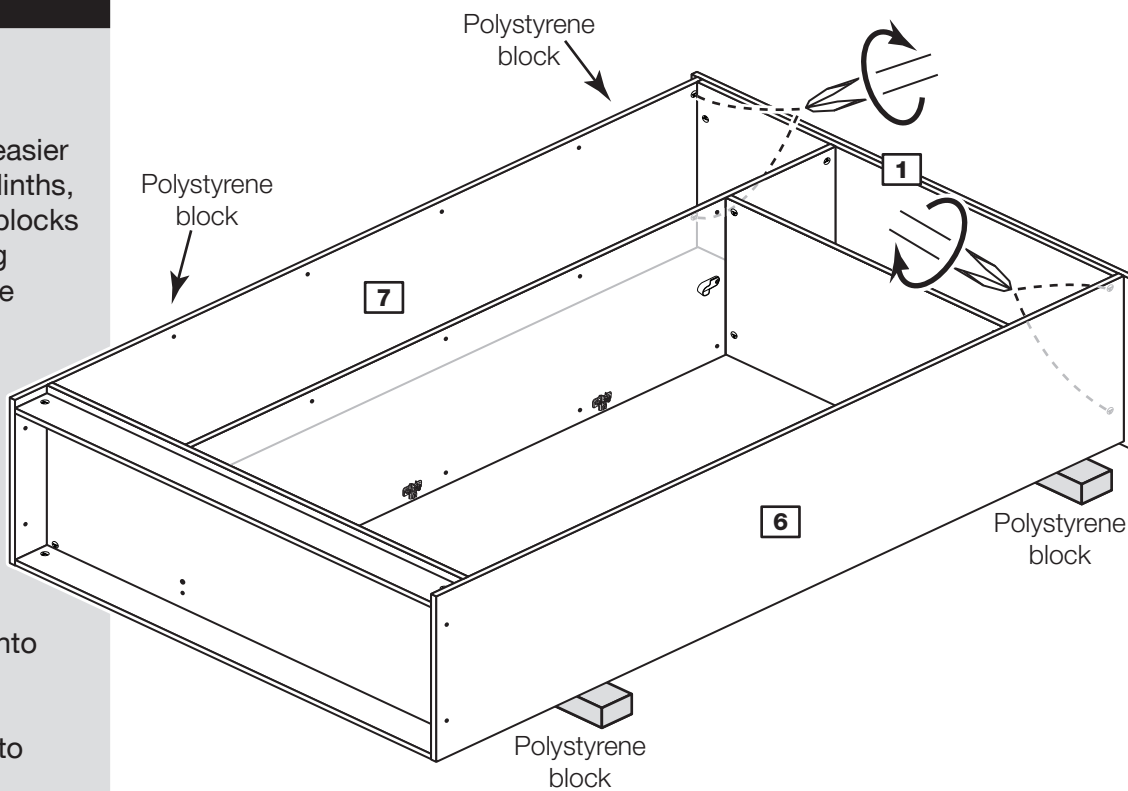


**Warning:** The unit is heavy. Lift with care.

## Step 15

### Fit the top

**Note:** To make it easier to fit the top and plinths, place polystyrene blocks from the packaging underneath the side panels to raise the assembly.



Push the top **1** onto the assembly.

Use a screwdriver to tighten the 4 large locking nuts **B** fitted to the sides **6** and **7**.

# Assembly Instructions

## Step 16

### Fit the 2 back panels

**a:** Square up the unit by making sure that measurement **x:x equals y:y**.

Place the small back **15** and large back **16**, coloured surface facing down, onto the unit as shown.

Make sure that the 2 backs are pushed up tight against each other and that they meet in the centre of the divider's back edge.

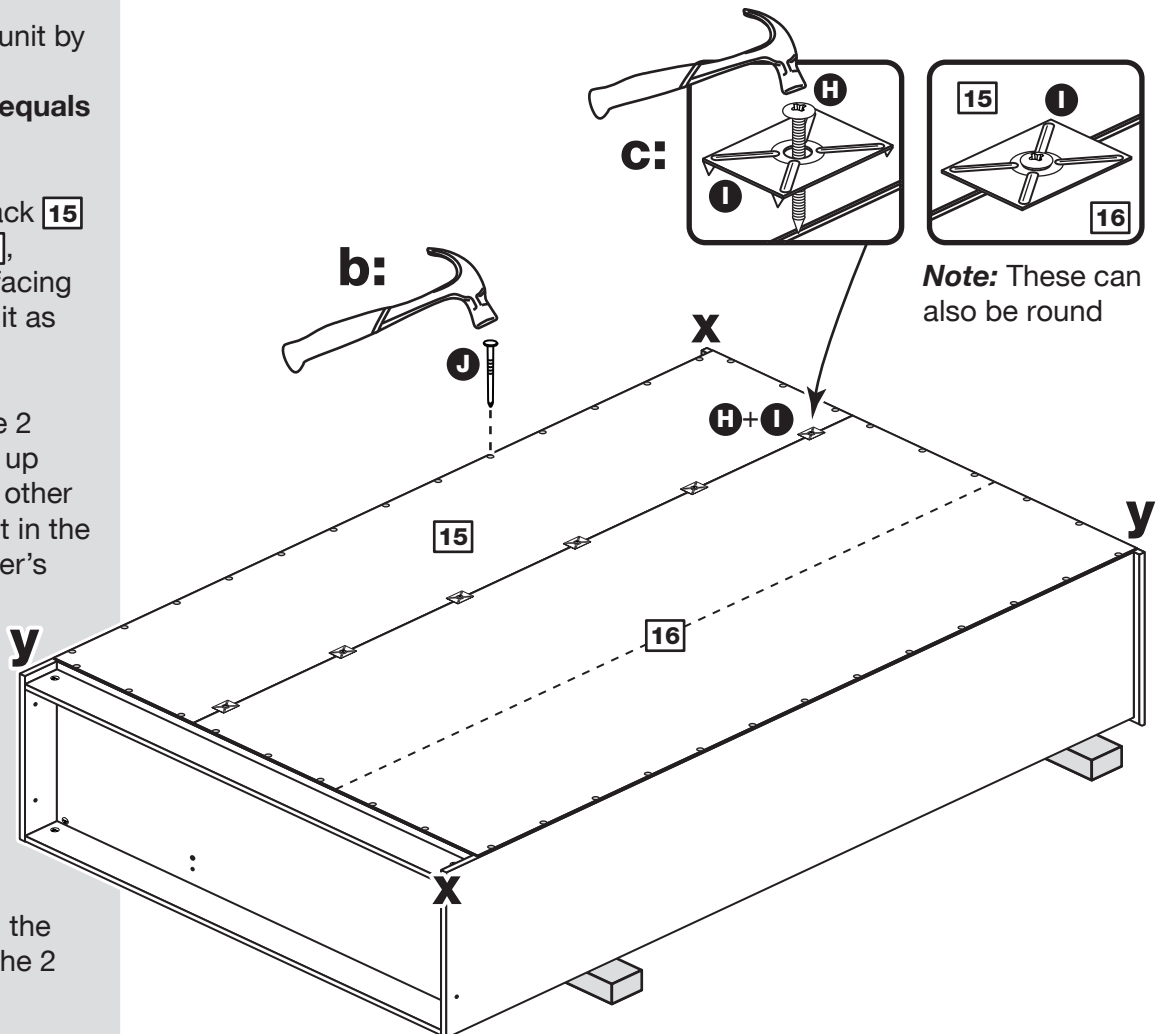
**b:** Nail **J** around the outside edges of the 2 backs.

**Note:** Do not nail where the 2 backs meet.

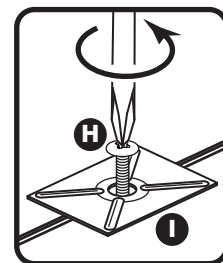
**c:** Push the nail screws **H** through the back holders **I** and tap them down between the small back **15** and large back **16** and into the back edge of the divider **8**.

Keep tapping the nail screws **H** in until the back holders **I** dig into the small and large back.

**a:** The measurement from top corner X to bottom corner X must be equal to the measurement from top corner Y to bottom corner Y



**Note:** If ever you need to take the backs off to dismantle the unit, the nail screws can be taken out using a screwdriver.

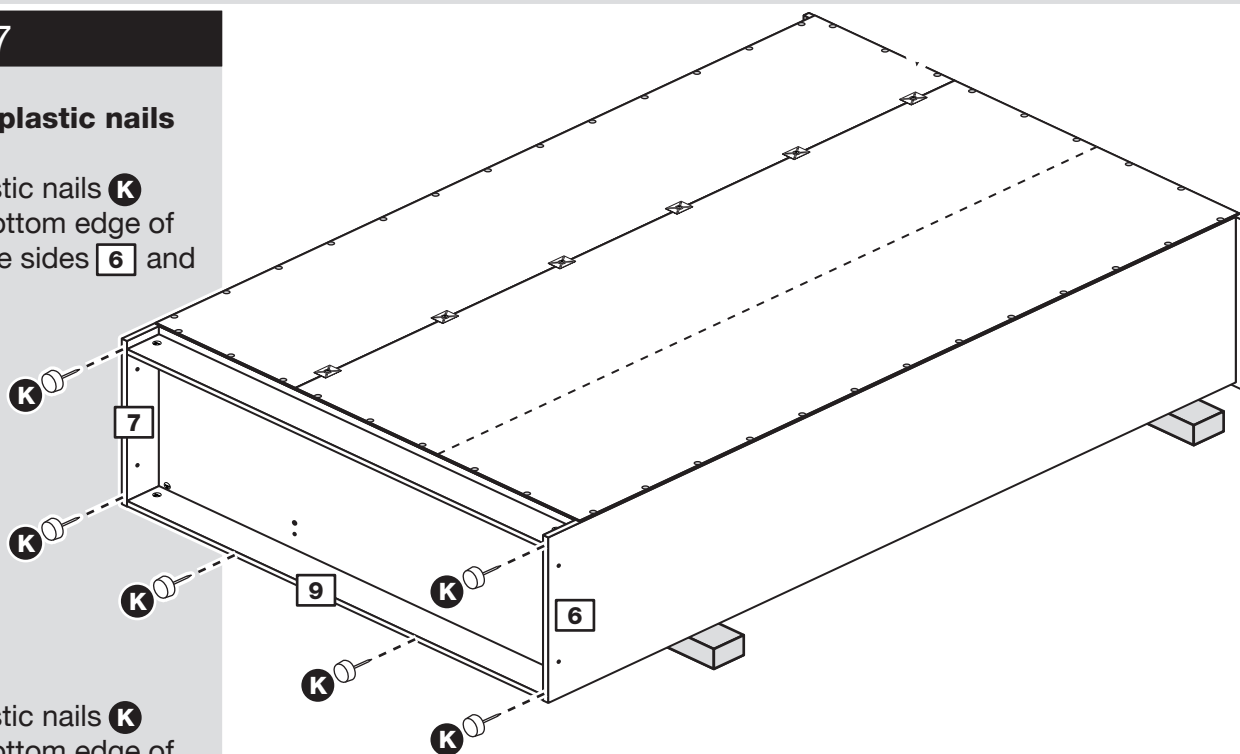


# Assembly Instructions

## Step 17

### Fit the 6 plastic nails

Tap 2 plastic nails **K** into the bottom edge of each of the sides **6** and **7**.



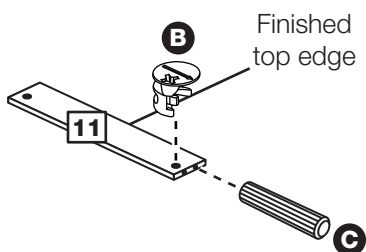
Tap 2 plastic nails **K** into the bottom edge of the front rail **9**.

## Step 18

### Prepare a side plinth

Insert a large locking nut **B** into 1 of the side plinths **11**.

Tap a wooden dowel **C** into the side plinth **11**.

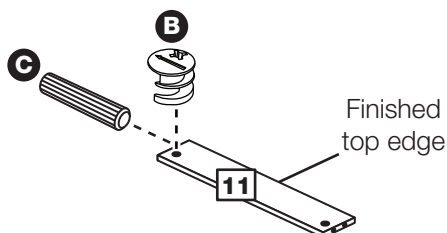


## Step 19

### Prepare the other side plinth

Insert a large locking nut **B** into the side plinth **11**.

Tap a wooden dowel **C** into the side plinth **11**.

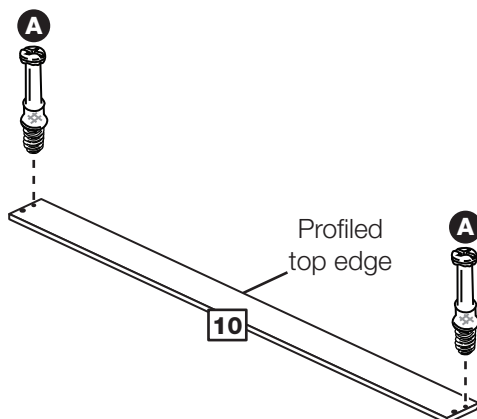


# Assembly Instructions

## Step 20

### Prepare the front plinth

Screw 2 metal dowels **A** into the front plinth **5**.

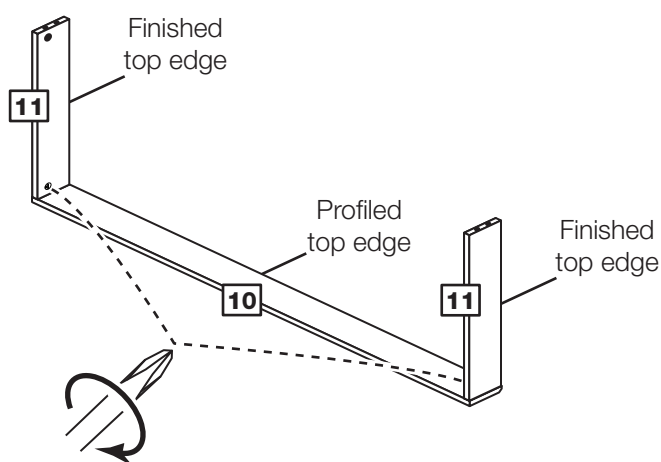


## Step 21

### Fit the plinths together

Push the 2 side plinths **11** onto the front plinth **10**.

Use a screwdriver to tighten the large locking nuts **B** fitted to the side plinths **11**.

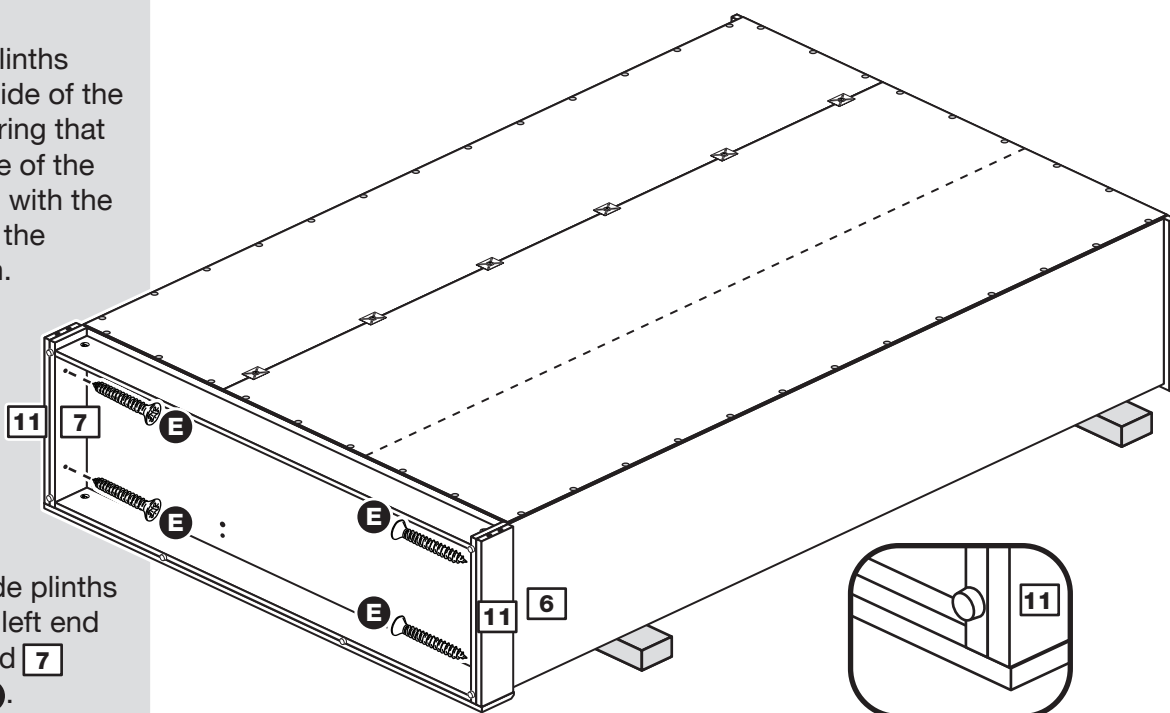


## Step 22

### Fit the plinths

Position the 3 plinths around the outside of the assembly, ensuring that the bottom edge of the plinths are flush with the bottom edge of the sides, as shown.

Secure the 2 side plinths **11** through the left end **6** and right end **7** using screws **E**.



# Assembly Instructions

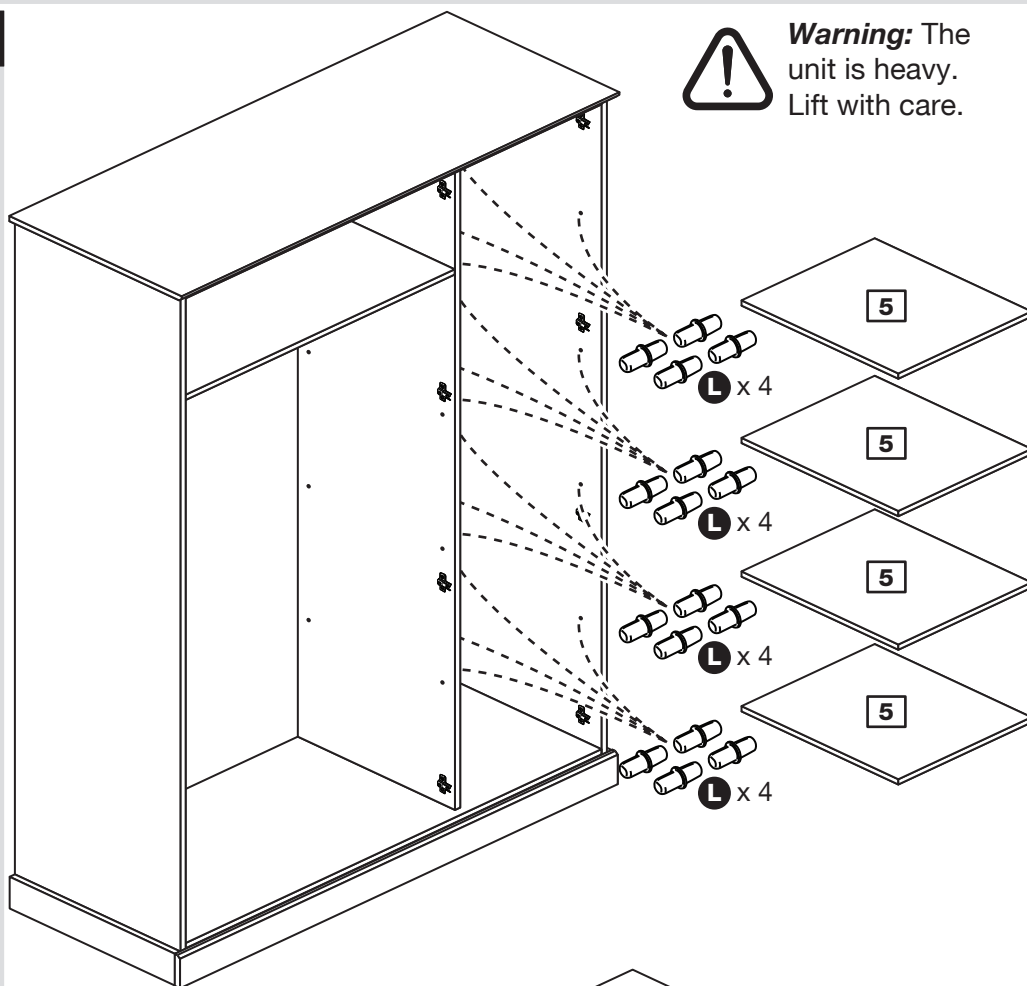
## Step 23

### Fit the narrow shelves

#### Carefully stand the unit up.

For each of the 4 narrow shelves **5**, insert 4 shelf studs **L**.

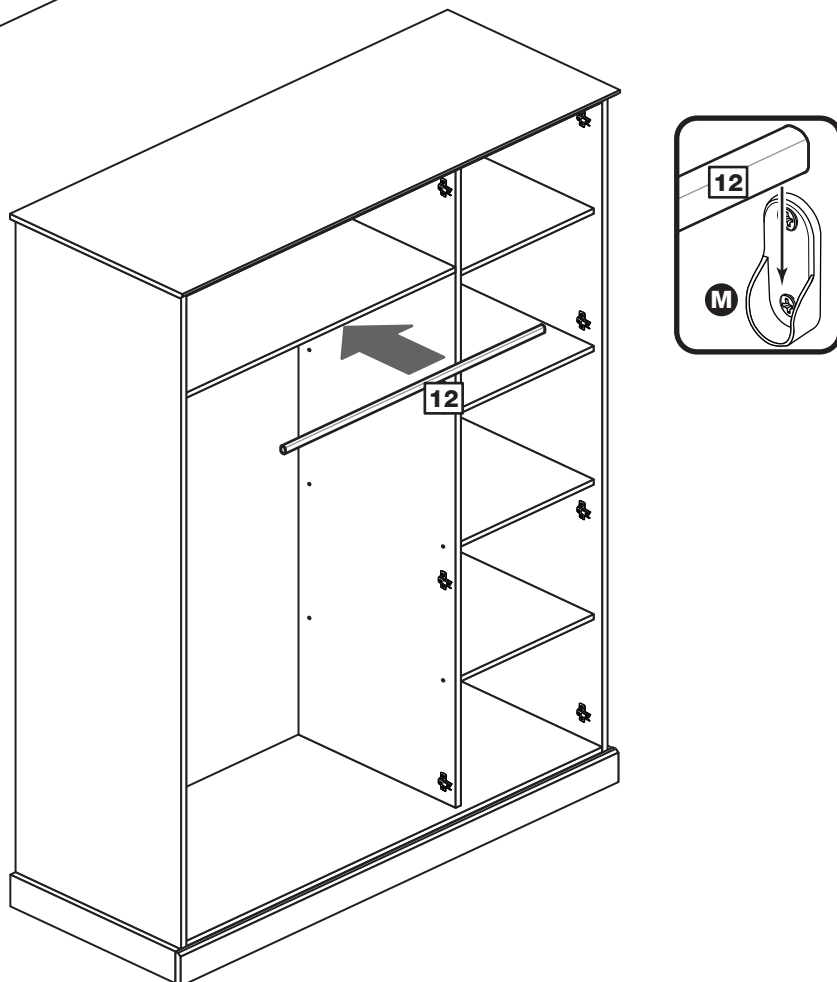
Lower the 4 narrow shelves **5** down onto the shelf studs **L**.



## Step 24

### Fit the hanging rail

Push the hanging rail **12** into the rail holders **M** fitted to the panels.



# Assembly Instructions

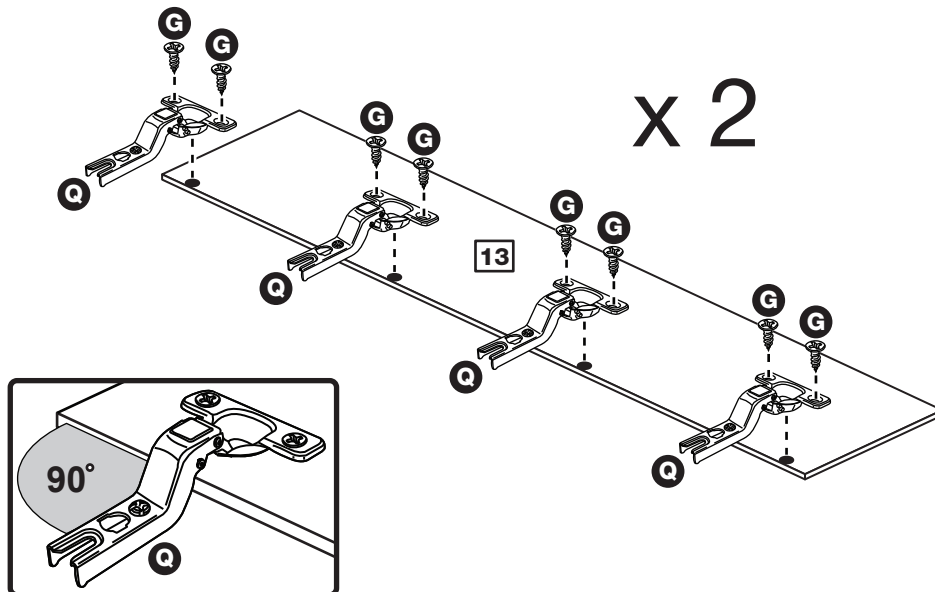
## Step 25

### Prepare the 2 plain doors

Push fit 4 hinges **Q** into each of the 2 plain doors **13**.

Secure each hinge with 2 screws **G**.

**Note:** Before securing with the screws, make sure that the hinges are positioned at 90 degrees with the edge of the door.



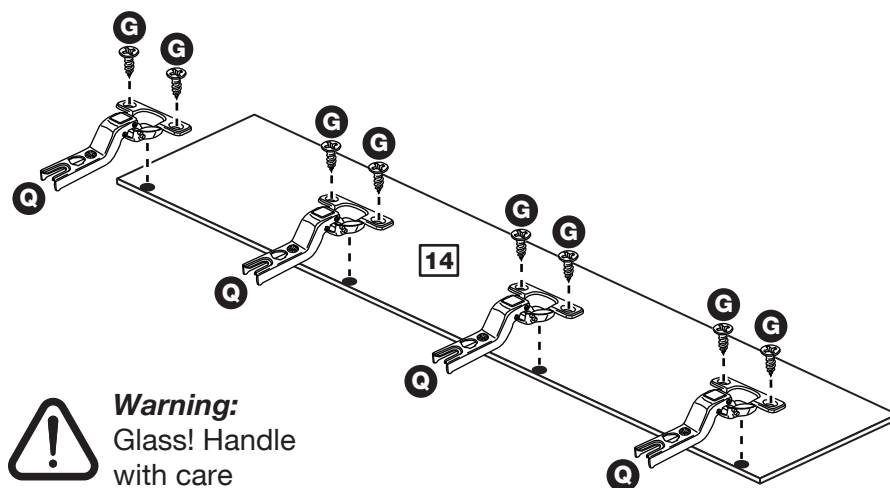
## Step 26

### Prepare the mirror door

Push fit 4 hinges **Q** into the mirror door **14**.

Secure each hinge with 2 screws **G**.

**Note:** Before securing with the screws, make sure that the hinges are positioned at 90 degrees with the edge of the door.





# Assembly Instructions

## Step 27

### Fit doors and handles

**Note:** The easiest way to attach each door **13** and **14** is to fit the top hinge first, then align and fit the other hinges.

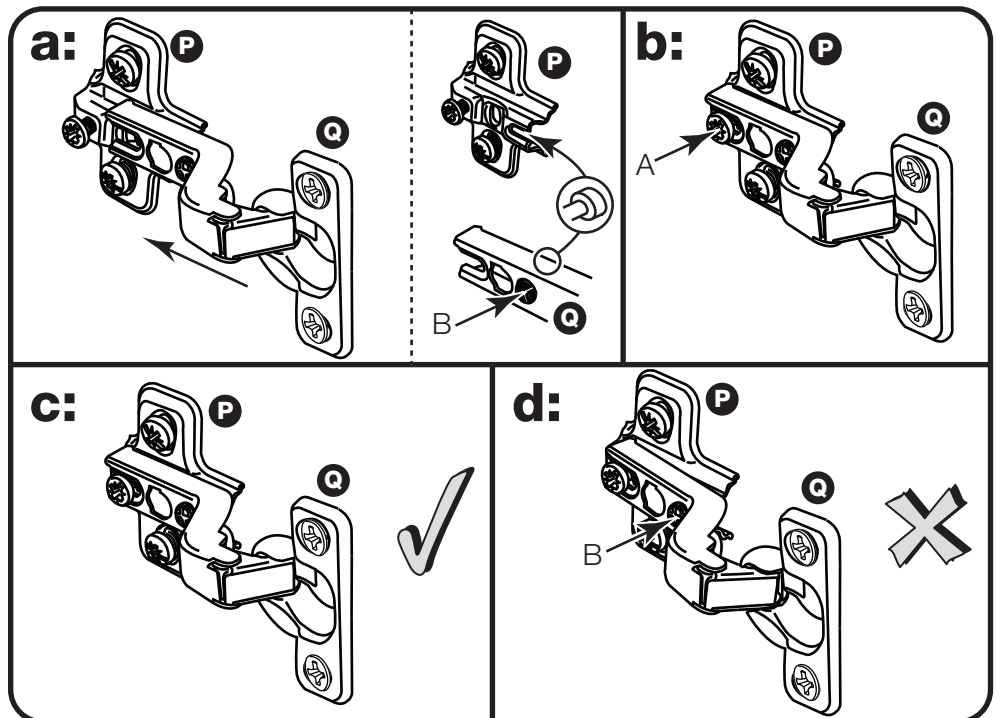
**a:** Push the hinge **Q** onto the front part of the hinge plate **P**. The recess at the bottom of screw B goes into the slot in the hinge plate.

**b:** Keep the hinge **Q** FLAT against the hinge plate **P** as you slide it across as far as it will go. Tighten screw A.

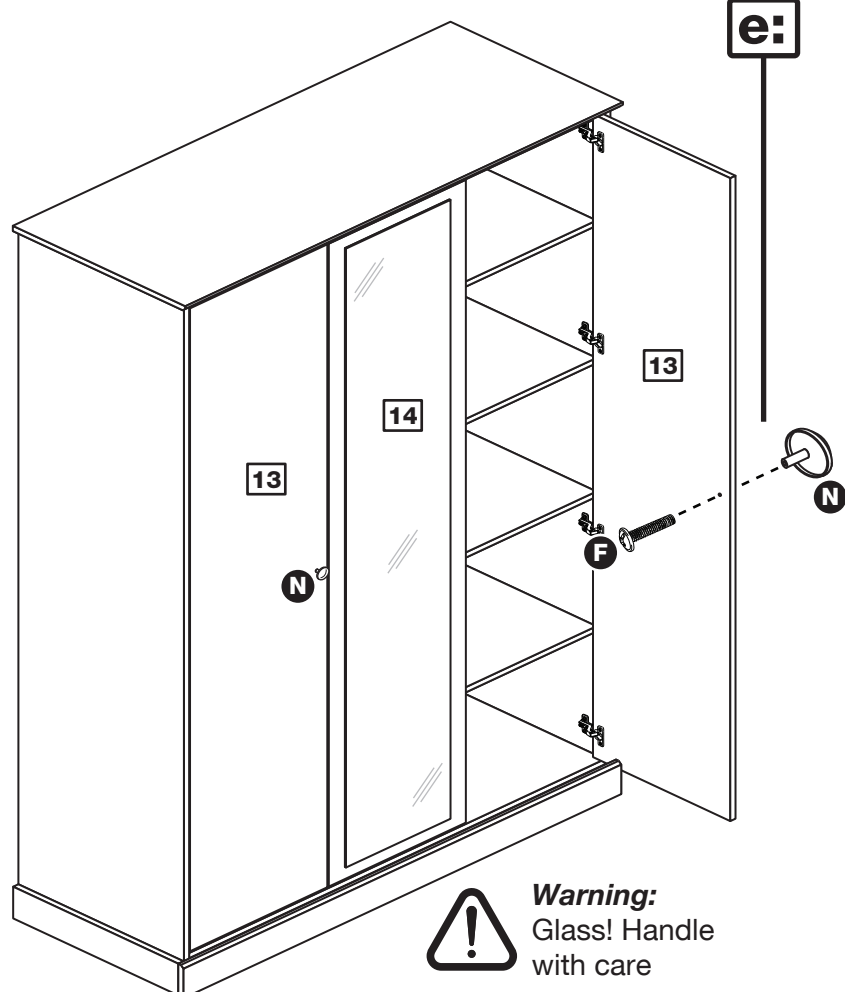
**c:** The hinge **Q** must be flat against the hinge plate **P** prior to any adjustment.

**d:** The hinge **Q** must NOT be AT AN ANGLE to the hinge plate **P** when assembled. This would indicate that the recess at the bottom of screw B had not located in the slot in the hinge plate and the hinge would not be secure. Remove the hinge from the hinge plate and then re-assemble being careful to follow instructions a-c.

**e:** Attach a handle **N** to the 2 plain doors **13** using screws **F**.



**Important:** DO NOT attempt to attached a handle to the mirror door.



**Warning:**  
Glass! Handle with care

# Assembly Instructions

## Step 28

### Adjust the doors if needed

**a:** Before adjusting the doors, use a spirit level to check the base (or top) of the unit is level, front-to-back and side-to-side in the 3 positions shown. Use suitable packing pieces (not supplied) to make the unit level BEFORE making any adjustment to the hinges, as shown.

### **b:** Height adjustment.

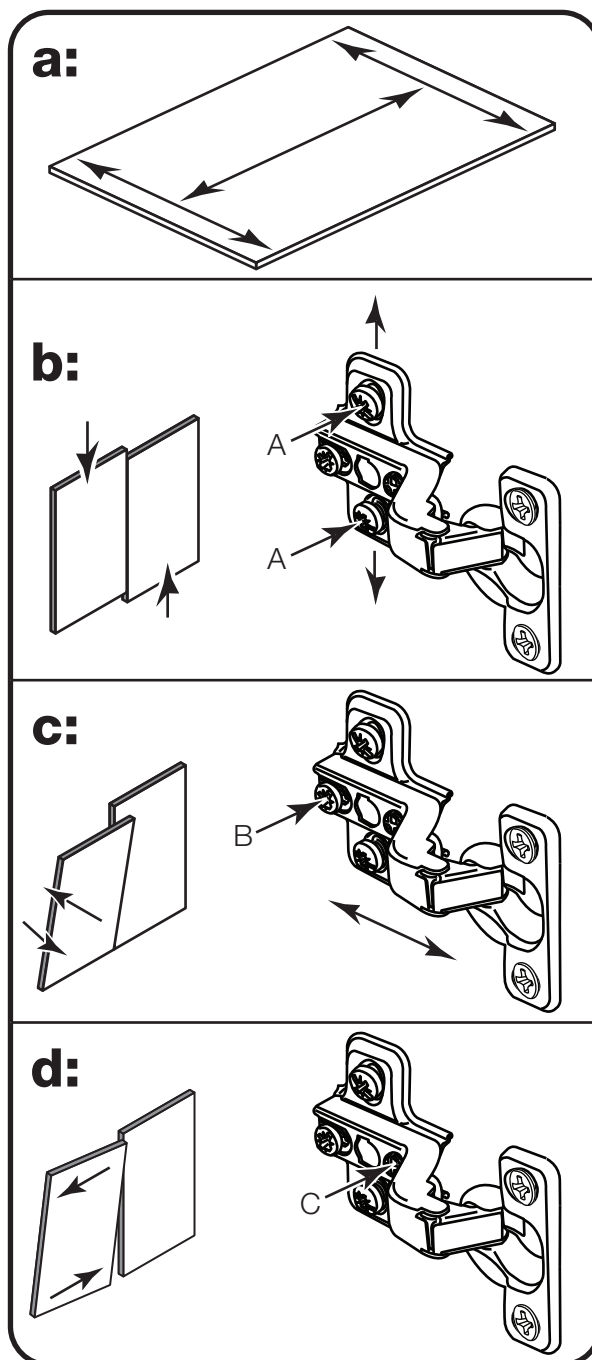
Loosen screws A on hinge plates and move door up or down as required. Retighten screw A.

### **c:** Forward and Back adjustment.

Loosen screw B on hinge plate and move door in or out as required. Retighten screw B.

### **d:** Sideways adjustment.


To move door 'out' loosen screw C. To move door 'in' tighten screw C.



# Assembly Instructions

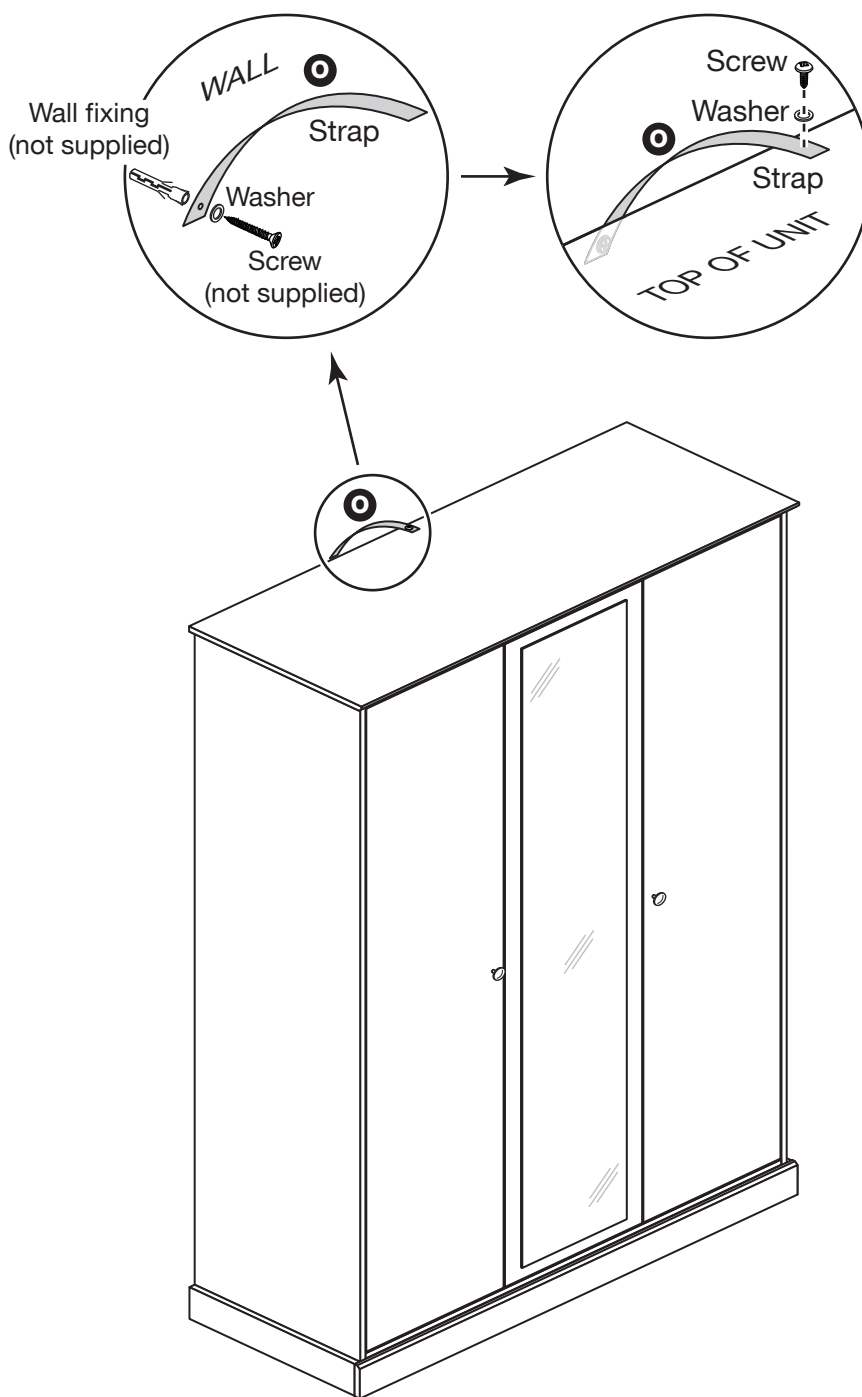
## Step 29

### Fit the overbalance protector

To prevent possible overbalancing we recommend that this unit is secured to a suitable wall by fitting of the overbalance protector kit  to the unit, or an alternative fixing method of your choice.

Wall fixings are not supplied as they will need to suit the wall type.

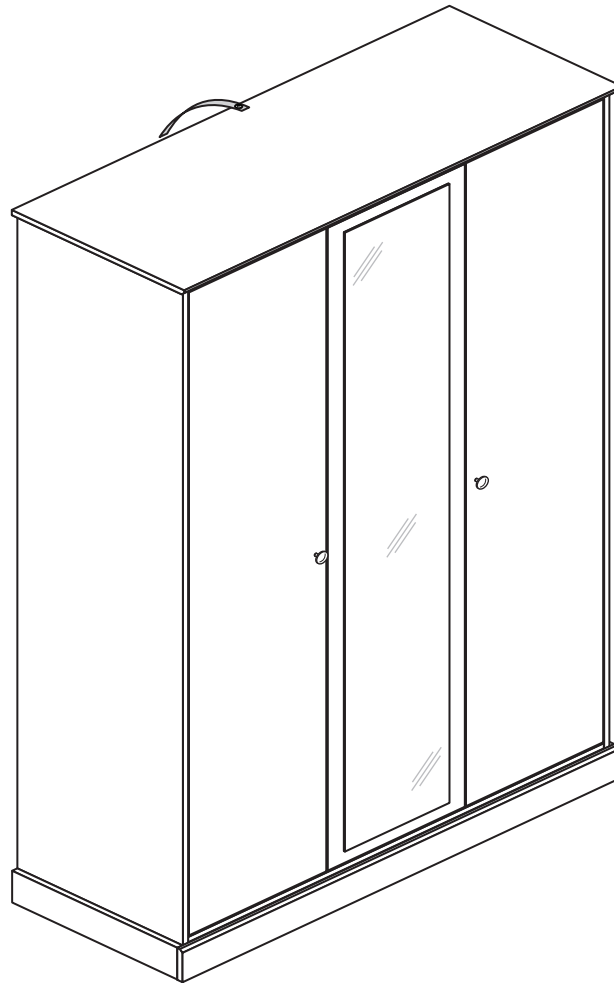
**Note:** Take care when drilling the wall that you do not drill into any pipes, wires etc. If in doubt, consult an expert.



# Assembly Instructions

## Step 30

**Assembly is complete**



### **IMPORTANT INFORMATION ABOUT THIS PRODUCT**

This product complies with the requirements of BS 7449:1991 and has been manufactured by DECORATIVE PANELS FURNITURE LTD, TEESIDE INDUSTRIAL ESTATE, THORNABY-ON-TEES, CLEVELAND, TS17 9LT.

The product code for this unit and the item code(s) for the glass components are listed in the Assembly Instructions along with a description of the type of glass used. All clear/tinted glass complies with the requirements of BS 6206 Class A. All mirrors comply with the requirements of BS 6206 Class C. If the glass component contained in this unit is chipped or broken consult the furniture manufacturer, retailer, or agent with regard to obtaining a manufacturing specification and shape for replacement glass quoting the unit description and batch number or date of manufacture.

Do not place very hot or very cold items against or in close proximity to glass surface(s) unless adequately thick insulating material is used to prevent such items coming in contact with the glass.

Do not strike the glass with hard or pointed items.

Do not sit or stand upon horizontal glass surfaces.

When cleaning glass panels use a damp cloth or leather with washing up liquid or soft soap if necessary - do not use washing powders or any other substance containing abrasives since these substances scratch glass.

If stated in the instruction leaflet, it is essential that this unit is fixed to a wall.

**KEEP THESE INSTRUCTIONS FOR FUTURE USE**

If you need help or have damaged or missing parts, please visit [www.argos-support.co.uk](http://www.argos-support.co.uk) or email: [Help@ClickSpares.co.uk](mailto:Help@ClickSpares.co.uk) (quoting your original order number)

Alternatively, call the Spares Helpline on: 0370 112 1928.

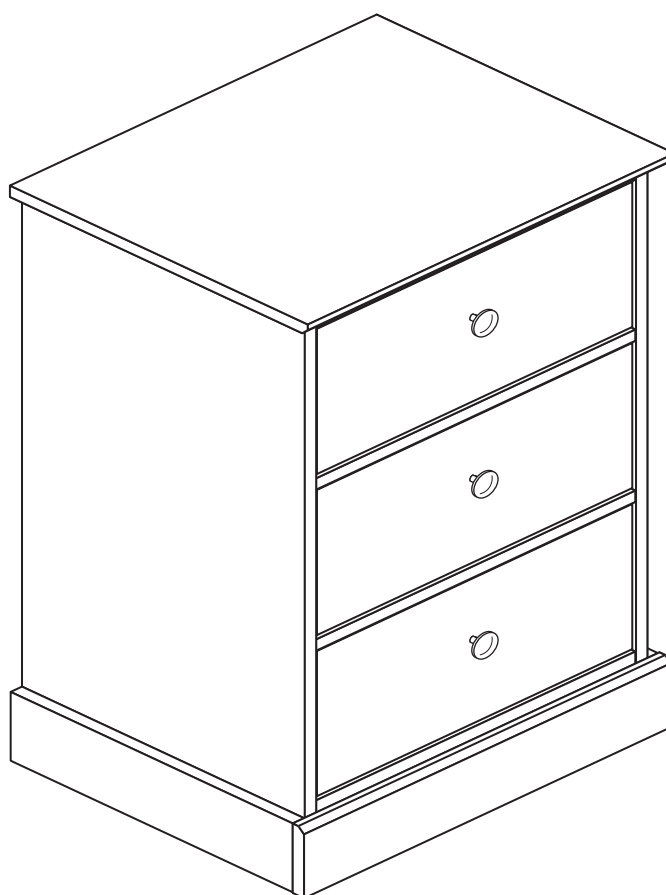
For any other queries please contact the Customer Helpline on: 0345 640 2020

# Kensington - 3 Drawer Bedside

Assembly Instructions - Please keep for future reference

423/7824

426/5487



## Dimensions

Width - 48.5cm

Depth - 39.4cm

Height - 76.1cm



**MADE IN  
BRITAIN**

**Important** - Please read these instructions fully before starting assembly

If you need help or have damaged or missing parts, please visit [www.argos-support.co.uk](http://www.argos-support.co.uk) or email: [Help@ClickSpares.co.uk](mailto:Help@ClickSpares.co.uk) (quoting your original order number)

Alternatively, call the Spares Helpline on: 0370 112 1928.

For any other queries please contact the Customer Helpline on: 0345 640 2020



# Safety and Care Advice

**Important - Please read these instructions fully before starting assembly**

- **Warning:** This unit weighs approximately 20kgs. Please lift with care.

- Check you have all the components and tools listed on pages 1, 2 and 3.

- Remove all fittings from the plastic bags and separate them into their groups.

- Keep children and animals away from the work area, small parts could choke if swallowed.

- Parts of the assembly will be easier with 2 people.

- Make sure you have enough space to layout the parts before starting.

- Do not stand or put weight on the product, this could cause damage.

- Assemble the item as close to its final position (in the same room) as possible.

- Assemble on a soft level surface to avoid damaging the unit or your floor (use opened out unit carton).



- We do not recommend the use of power drill/drivers **for inserting screws**, as this could damage the unit. Only use hand screwdrivers.

- **Safety note:** It is recommended that this unit is secured to a wall using the overbalance protector kit supplied or, an alternative fixing method of your choice.

- Dispose of all packaging carefully and responsibly.

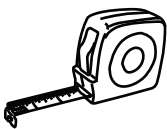
## Care and maintenance

- Only clean using a damp cloth and mild detergent, do not use bleach or abrasive cleaners.

- From time to time check that there are no loose screws on this unit.

- This product should not be discarded with household waste. Take to your local authority waste disposal centre.

## Tools required



Rule



Cross-head screwdriver



Scissors



Hammer



Eye protection (when using a hammer or drill)



Electric drill (do not use for fitting screws)

**Note:** If required the next page can be cut out and used as reference throughout the assembly. Keep this page with these instructions for future reference.

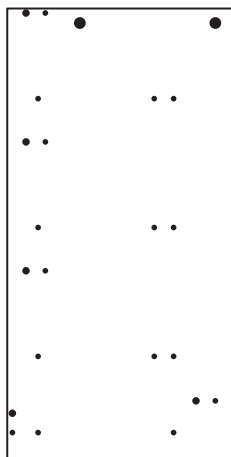
# Components - Panels

If you need help or have damaged or missing parts, please visit [www.argos-support.co.uk](http://www.argos-support.co.uk) or email: [Help@ClickSpares.co.uk](mailto:Help@ClickSpares.co.uk) (quoting your original order number)

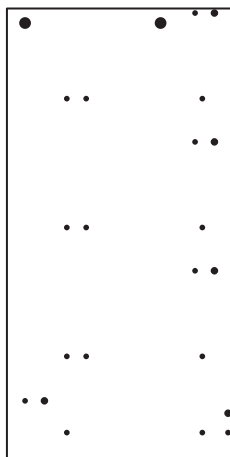
Alternatively, call the Spares Helpline on: 0370 112 1928.

For any other queries please contact the Customer Helpline on: 0345 640 2020

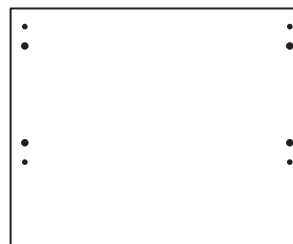
Please check you have all the panels listed below



**1** Left Side (DF2404)  
(74.6 x 37.4cm)



**2** Right Side (DF2405)  
(74.6 x 37.4cm)



**3** Top (DF2380)  
(48.5 x 39.4cm)



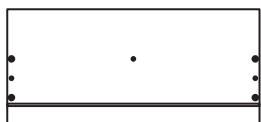
**4** Rail (DF2383)  
(42.3 x 9.2cm) x 5



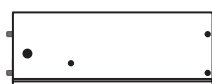
**5** Front Plinth (DF2385)  
(48.5 x 9.2cm)



**6** Side Plinth (DF2386)  
(37.4 x 9.1cm) x 2



**7** Drawer Front (DF2384)  
(41.7 x 19.2cm) x 3



**8** Left Drawer Side (W330-124LH)  
(33 x 12.4cm) x 3



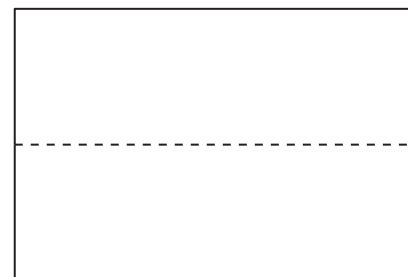
**9** Right Drawer Side (W330-124RH)  
(33 x 12.4cm) x 3



**10** Drawer Back (W390-124)  
(39 x 12.4cm) x 3



**11** Drawer Base (T401-327)  
(40.1 x 32.7cm) x 3



**12** Back (X667-449)  
(66.7 x 44.9cm)



# Components - Fittings

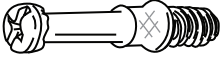


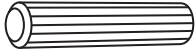
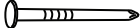









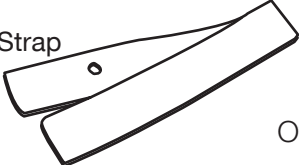


If you need help or have damaged or missing parts, please visit [www.argos-support.co.uk](http://www.argos-support.co.uk) or email: [Help@ClickSpares.co.uk](mailto:Help@ClickSpares.co.uk) (quoting your original order number)

Alternatively, call the Spares Helpline on: 0370 112 1928.

For any other queries please contact the Customer Helpline on: 0345 640 2020

Please check you have all the fittings listed below

**Note:** The quantities below are the correct amount to complete the assembly. In some cases more fittings may be supplied than are required.

|  |  |   |
|--|--|---|
| <p><b>A</b> </p> <p>Metal dowel (F901) x 22</p>   | <p><b>B</b> </p> <p>Large locking nut (F900) x 16</p> | <p><b>C</b> </p> <p>Small locking nut (F3) x 6</p> |
| <p><b>D</b> </p> <p>Wooden dowel (F22) x 16</p>   | <p><b>E</b> </p> <p>Nail (F51) x 16</p>               | <p><b>F</b> </p> <p>Knock-in Peg (F171GY) x 12</p> |
| <p><b>G</b> </p> <p>25mm Screw (F50) x 4</p>  | <p><b>H</b> </p> <p>19mm Screw (F461) x 3</p>        | <p><b>I</b> </p> <p>9mm Screw (F74) x 6</p>       |
| <p><b>J</b> </p> <p>9mm Screw (F73) x 12</p>  | <p><b>K</b> </p> <p>Wedgifix (F639) x 6</p>         | <p><b>L</b> </p> <p>Plastic Nail (F91) x 4</p>   |
| <p><b>M</b> </p> <p>Drawer runner (F1004) x 6</p>   |  | <p><b>N</b> </p> <p>Handle (F220) x 3</p>        |
| <p><b>O</b>   Screw  Washer x 2</p> <p>Overbalance protector kit (F269) x 1</p> |  |   |

Ruler - Use this ruler to help correctly identify the screws





# Assembly Instructions

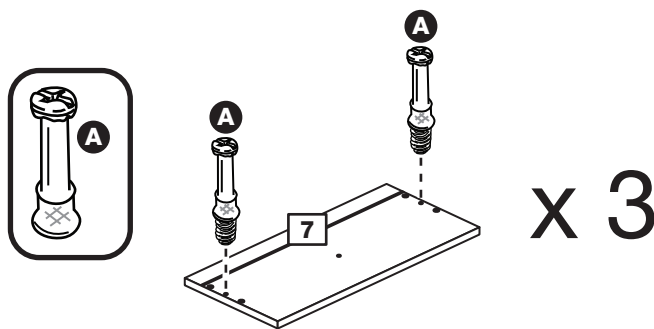
If you have damaged or missing components, call the  
**Customer Helpline: 03456 400800** quoting the reference  
numbers below

## Step 1

### Prepare the 3 drawer fronts

Screw 2 metal dowels **A** into each of the drawer fronts **7**.

**Note:** Tighten the metal dowels up fully against the panels.

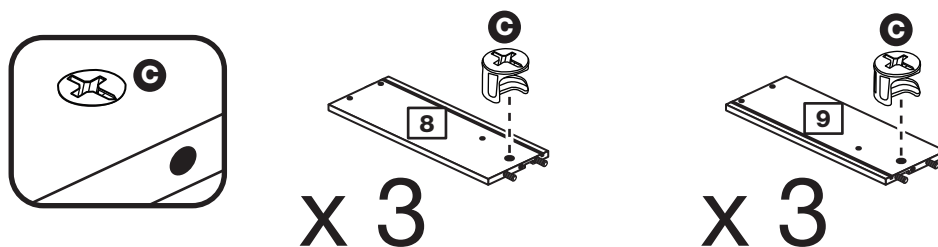


## Step 2

### Prepare the drawer sides

Insert a small locking nut **C** into the hole shown on the left drawer side **8** and the right drawer side **9**.

**Note:** The arrow on the locking nut **must** point towards the hole in the edge of the panel.



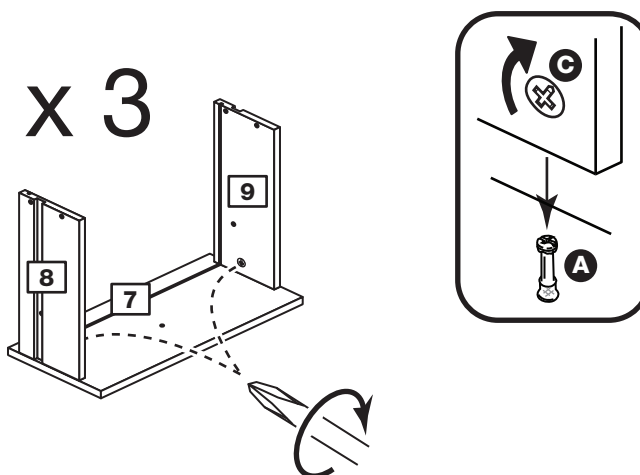
## Step 3

### Attach the drawer sides to the drawer fronts

Push the left drawer sides **8** and right drawer sides **9** onto the back of the drawer fronts **7**.

Turn the small locking nuts **C** on the left drawer side **8** and right drawer side **9**.

**Note:** Turn the locking nuts **C** clockwise to secure panels - more than 1/2 a turn.

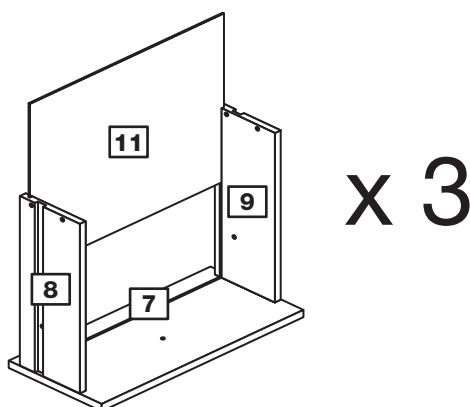


# Assembly Instructions

## Step 4

### Fit the drawer base

Slide the drawer base **11** down the grooves in the drawer sides **8** and **9** and down into the groove in the drawer front **7**.

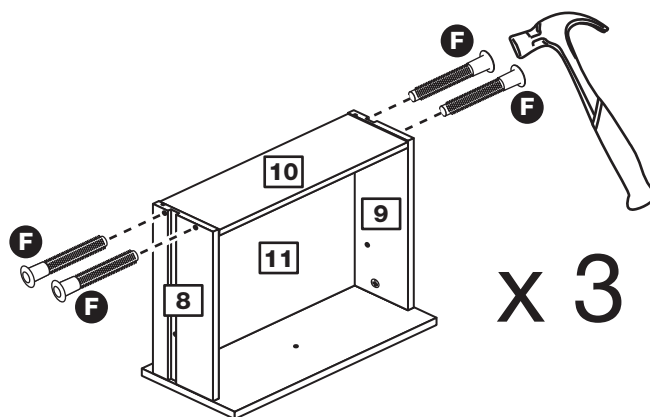


## Step 5

### Fit the drawer back

Fit the drawer back **10** between the drawer sides **8** and **9**. Make sure that the drawer base **11** fits into the groove in the drawer back **10**.

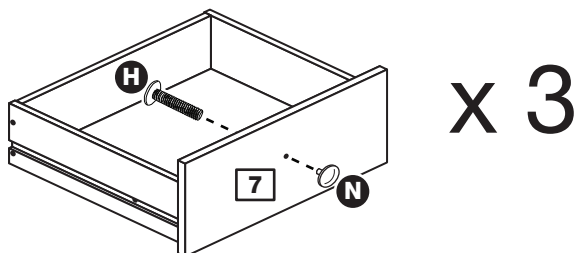
Hold the drawer back **10** in position and tap the knock-in pegs **F** through the holes in the drawer sides **8** and **9**.



## Step 6

### Attach the handles

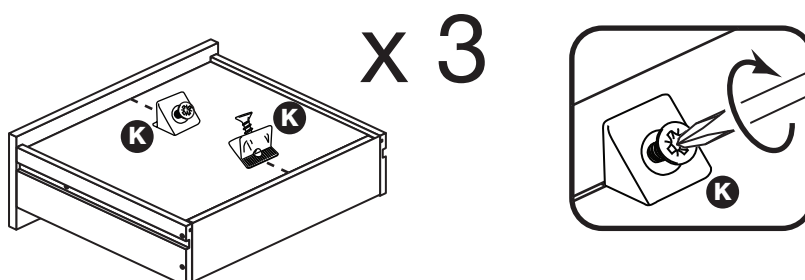
Attach a handle **N** to each of the drawer fronts **7** using screw **H**.



## Step 7

### Fit the wedgifixes

Turn the drawer assemblies over and slide 2 wedgifixes **K** into the front and back grooves, as shown, and tighten up the screws.



# Assembly Instructions

## Step 8

### Prepare the left side

**a:** Place 3 runners **M** on the left side **1** as shown. Slide back the top of runner and use the 2nd hole from the front to fit the 1st screw **J**.

**b:** Slide the runner **M** back the other way and fit the 2nd screw **J** into the corresponding hole in the left side **1**.

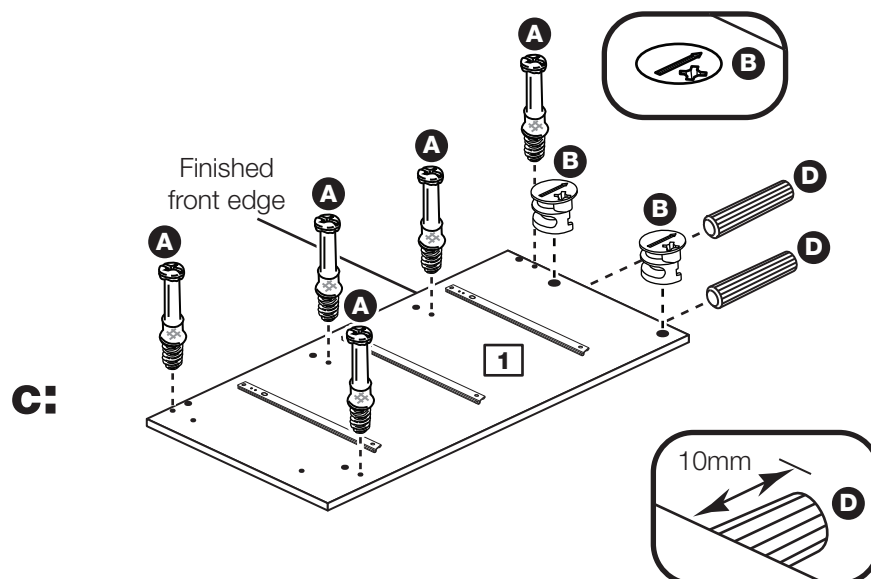
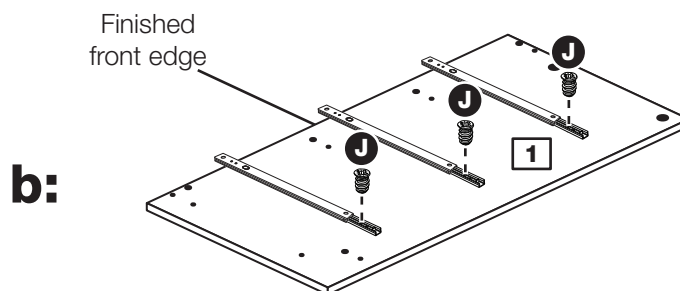
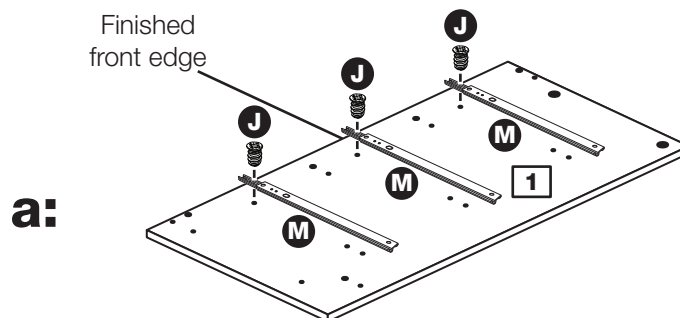
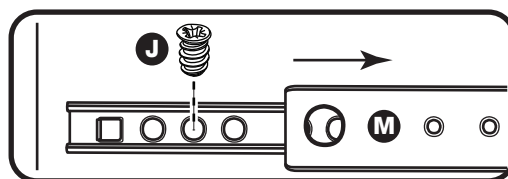
**c:** Screw 5 metal dowels **A** into the left side **1**.

Insert 2 large locking nuts **B** into the left side **1**.

**Note:** The arrow on the locking nuts **must** point towards the hole in the edge of the panel.

Tap 2 wooden dowels **D** into the left side **1**.

**Note:** Wooden dowels **must not** stick out from the edge by more than 10mm or they may damage other panels.



# Assembly Instructions

## Step 9

### Prepare the right side

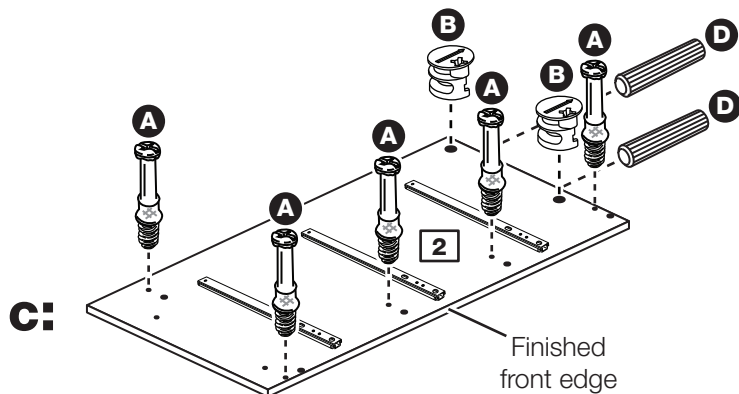
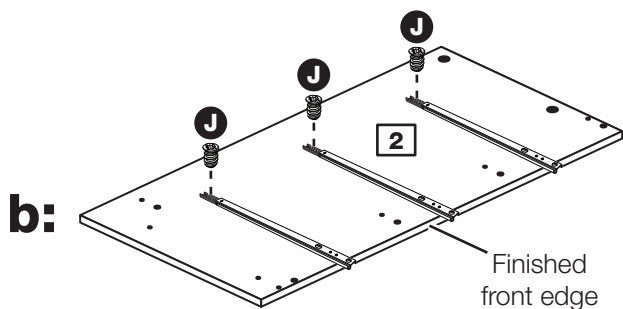
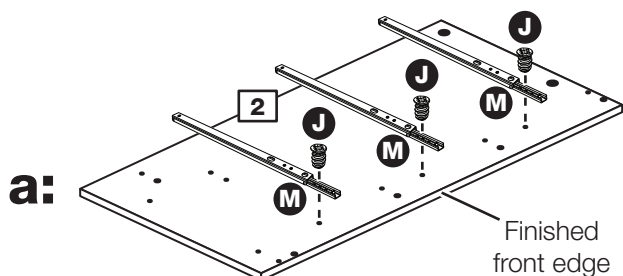
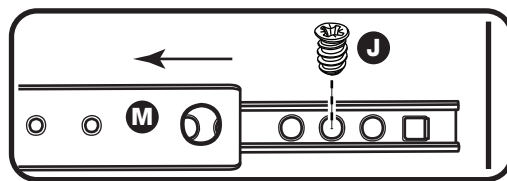
**a:** Place 3 runners **M** on the right side **2** as shown. Slide back the top of runner and use the 2nd hole from the front to fit the 1st screw **J**.

**b:** Slide the runner **M** back the other way and fit the 2nd screw **J** into the corresponding hole in the right side **2**.

**c:** Screw 5 metal dowels **A** into the right side **2**.

Insert 2 large locking nuts **B** into the right side **2**.

Tap 2 wooden dowels **D** into the right side **2**.



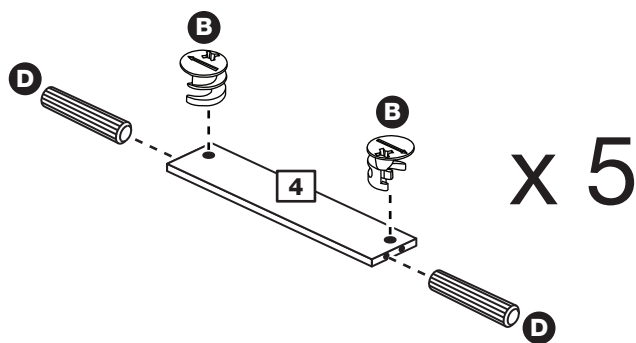
# Assembly Instructions

## Step 10

### Prepare the 5 rails

Insert 2 large locking nuts **B** into each of the 5 rails **4**.

Tap 2 wooden dowels **D** into each of the 5 rails **4**.



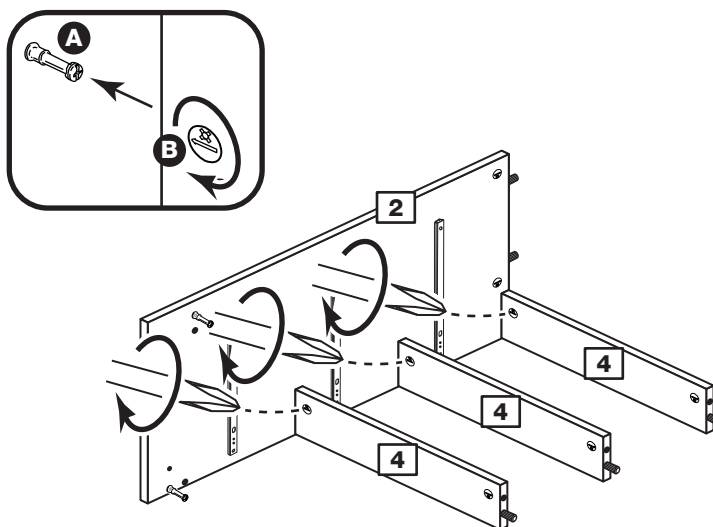
## Step 11

### Fit 3 of the rails to the right side

Push 3 rails **4** onto the right side **2**.

Use a screwdriver to tighten the large locking nut **B** fitted to each of the rails **4**.

**Note:** Turn the large locking nuts **B** as far as they will go - more than 1/2 a turn.

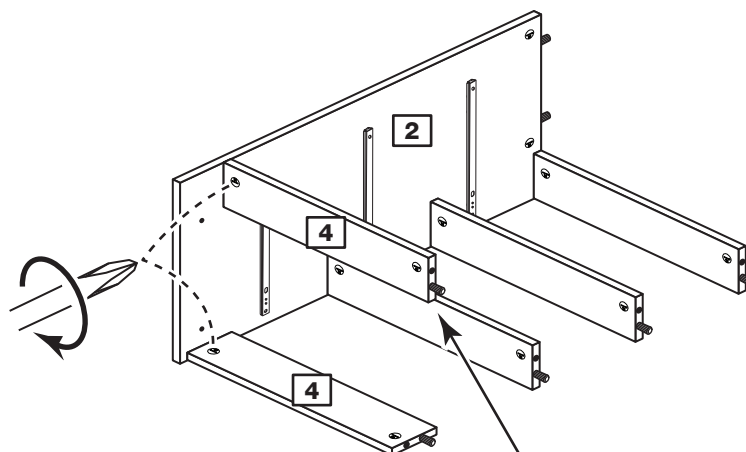


## Step 12

### Fit the other 2 rails to the right side

Push the 2 rails **4** onto the right side **2**.

Use a screwdriver to tighten the large locking nut **B** fitted to each of the rails **4**.



**Note:** Fit the rail at the back last and support it until the left side has been fitted in the next step.

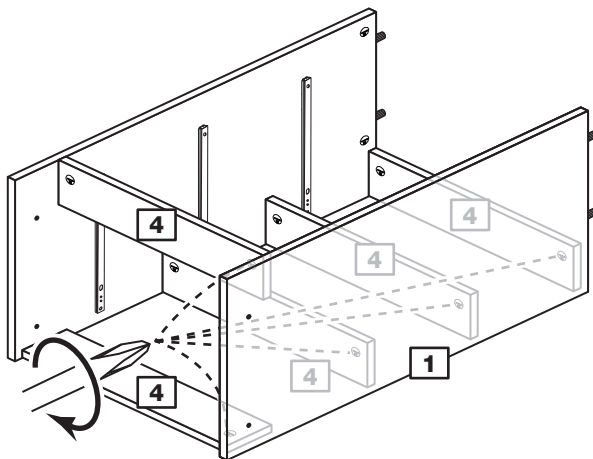
# Assembly Instructions

## Step 13

### Fit the left side

Push the left side **1** onto the rails **4**.

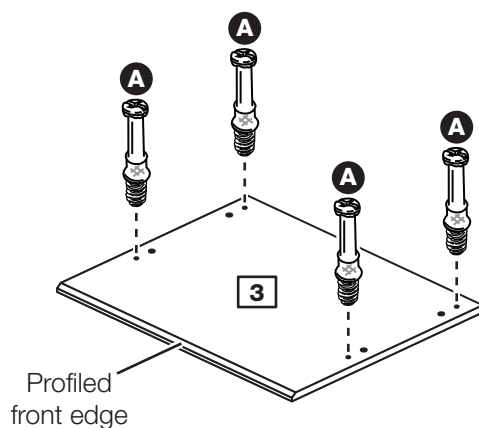
Use a screwdriver to tighten the large locking nut **B** fitted to each of the rails **4**.



## Step 14

### Prepare the top

Screw 4 metal dowels **A** into the top **3**.



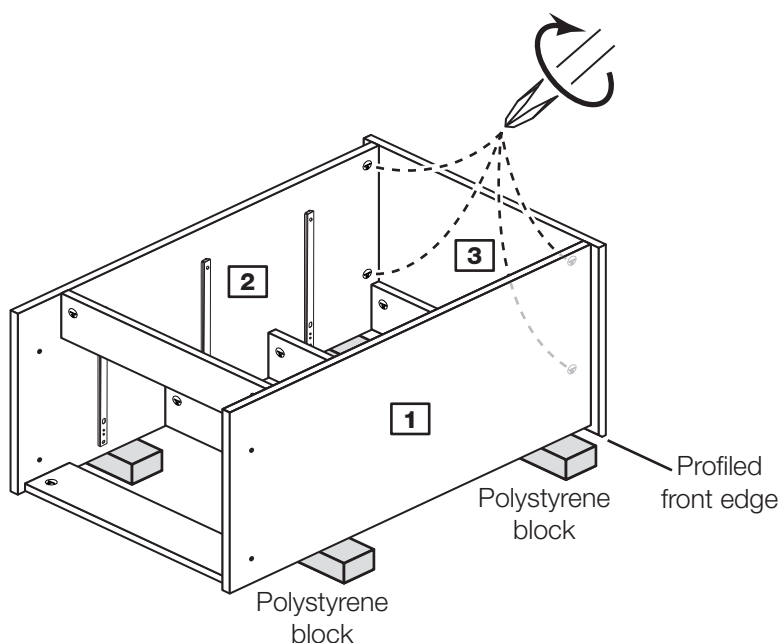
## Step 15

### Fit the top

**Note:** To make it easier to fit the top and plinths, place polystyrene blocks from the packaging underneath the side panels to raise the assembly.

Push the top **3** onto the assembly.

Use a screwdriver to tighten the 2 large locking nuts **B** fitted to each of the sides **1** and **2**.



# Assembly Instructions

## Step 16

### Fit the back

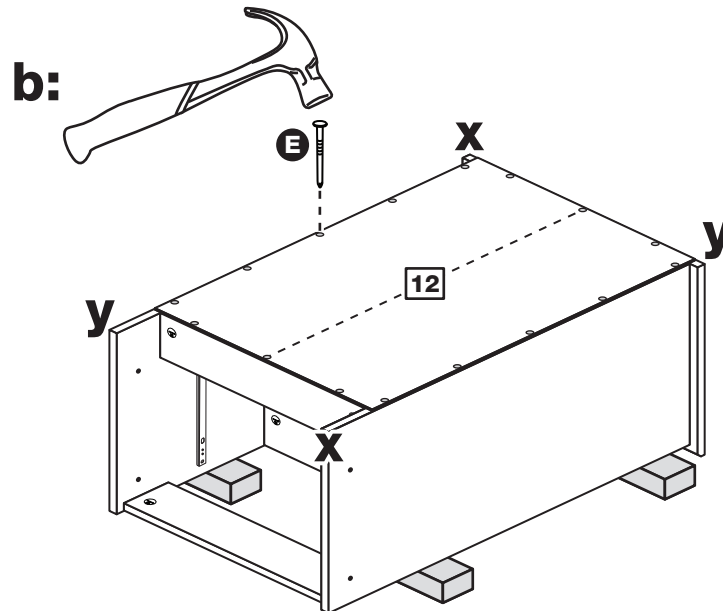
**a:** Square up the unit by making sure that measurement **x to x** equals **y to y**.

**b:** Place the back **12** onto the unit.

Nail **E** around the outside edges of the back **12**.

**Note:** Nails should be spaced about 150mm apart.

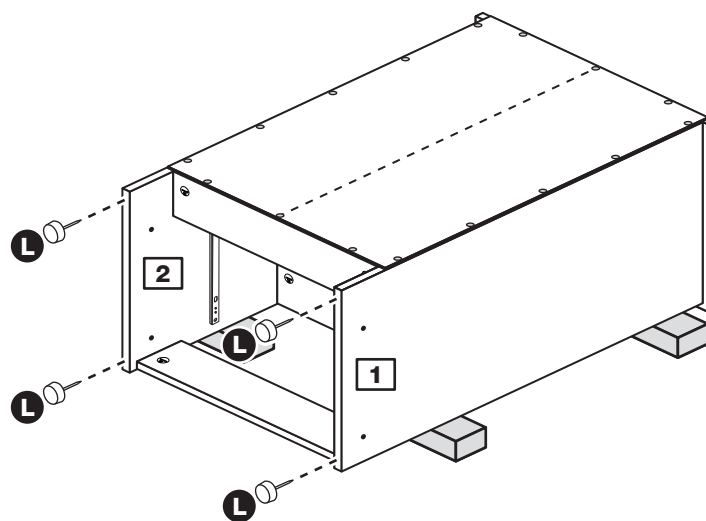
**a:** The measurement from top corner X to bottom corner X must be equal to the measurement from top corner Y to bottom corner Y



## Step 17

### Fit the 4 plastic nails

Tap 2 plastic nails **L** into the bottom edge of each of the sides **1** and **2**.



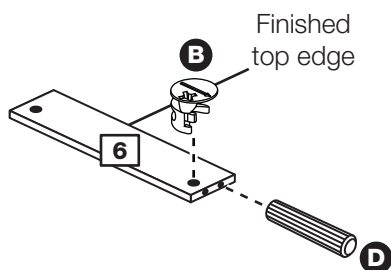
# Assembly Instructions

## Step 18

### Prepare a side plinth

Insert a large locking nut **B** into 1 of the side plinths **6**.

Tap a wooden dowel **D** into the side plinth **6**.

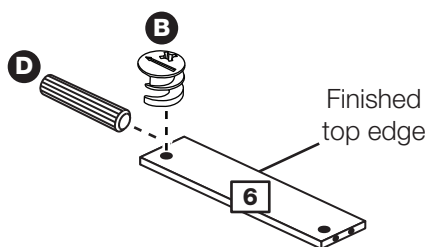


## Step 19

### Prepare the other side plinth

Insert a large locking nut **B** into the side plinth **6**.

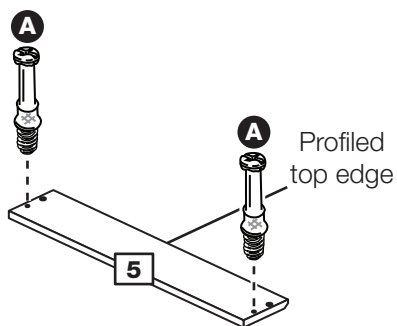
Tap a wooden dowel **D** into the side plinth **6**.



## Step 20

### Prepare the front plinth

Screw 2 metal dowels **A** into the front plinth **5**.

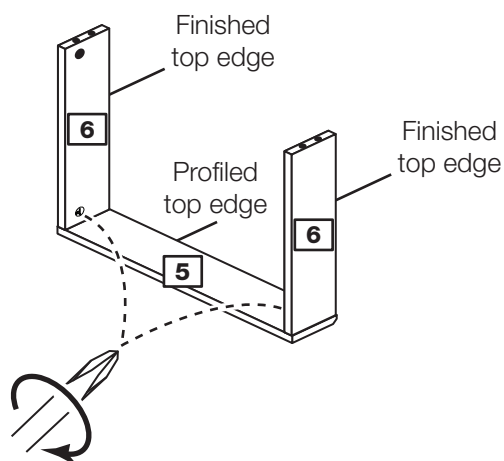


## Step 21

### Fit the plinths together

Push the 2 side plinths **6** onto the front plinth **5**.

Use a screwdriver to tighten the large locking nuts **B** fitted to the side plinths **6**.





# Assembly Instructions

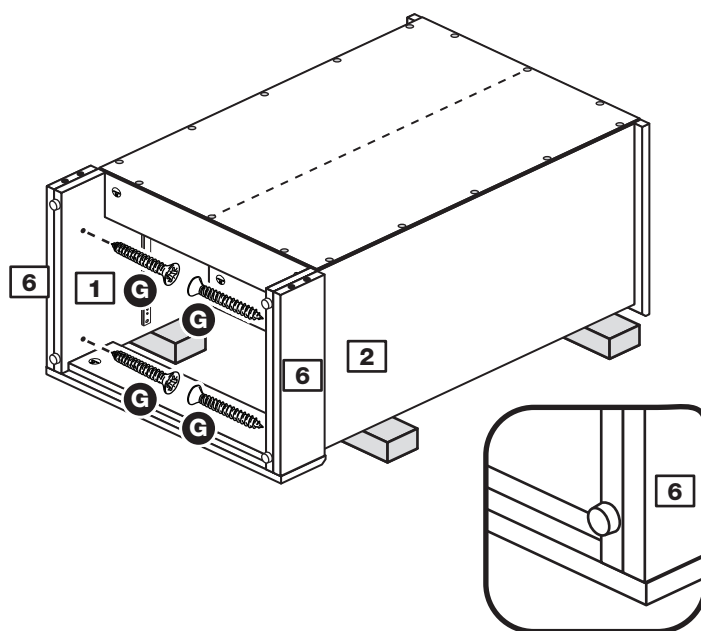
## Step 22

### Fit the plinths

Position the 3 plinths onto the assembly ensuring that the bottom edge of the plinths are flush with the bottom edge of the sides, as shown.

Secure the 2 side plinths **6** through the left end **1** and right end **2** using screws **G**.

**Carefully stand the unit up for the next step.**



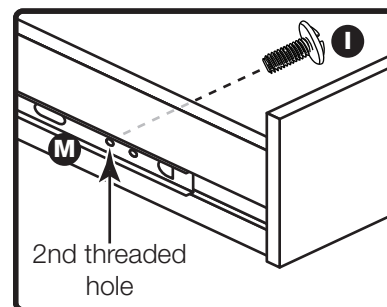
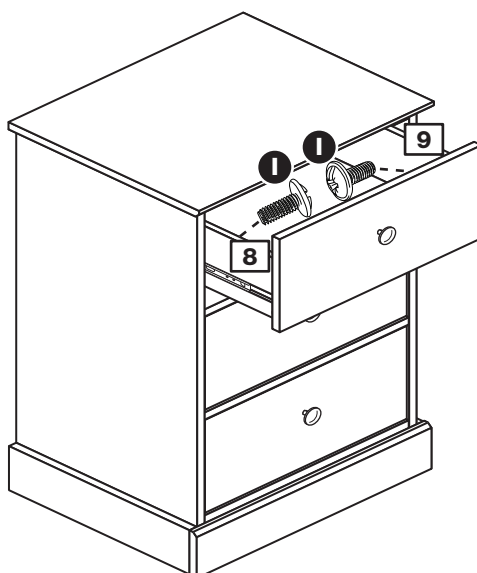
## Step 23

### Fit the drawers

Starting with the bottom drawer, slide both the runners **M** forward and locate the drawer sides **8** and **9** between them, lining up the holes in the drawer wrap with the 2nd 'threaded' holes in the runners **M**.

Working from the inside of the drawer, insert 2 screws **I** through the drawer sides and out into the 2nd threaded hole in the runner.


**Note:** Do not overtighten the screws **I**.  
If they catch on the runner you may need to loosen them slightly.



# Assembly Instructions

## Step 24

### Fit the overbalance protector kit

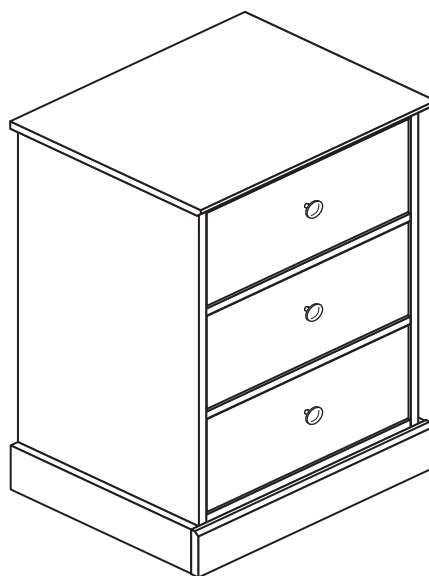
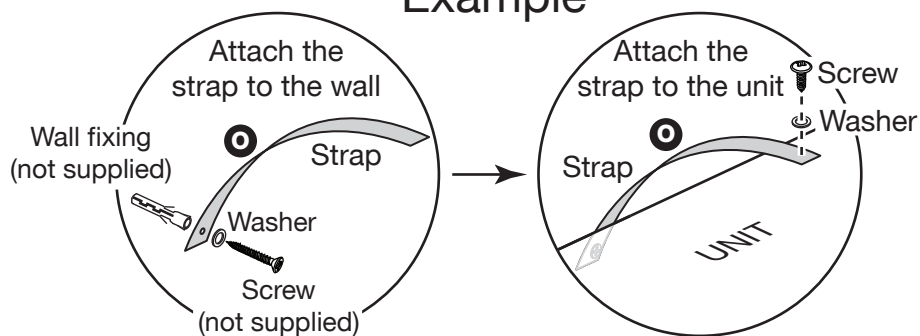
To prevent possible overbalancing we recommend that this unit is secured to a suitable wall by fitting of the overbalance protector kit  to the unit, or an alternative fixing method of your choice.

Wall fixings are not supplied as they will need to suit the wall type.

**Note:** Take care when drilling the wall that you do not drill into any pipes, wires etc. If in doubt, consult an expert.

**Assembly is complete**

### Example



If you need help or have damaged or missing parts, please visit [www.argos-support.co.uk](http://www.argos-support.co.uk) or email: [Help@ClickSpares.co.uk](mailto:Help@ClickSpares.co.uk) (quoting your original order number)  
Alternatively, call the Spares Helpline on: 0370 112 1928.  
For any other queries please contact the Customer Helpline on: 0345 640 2020



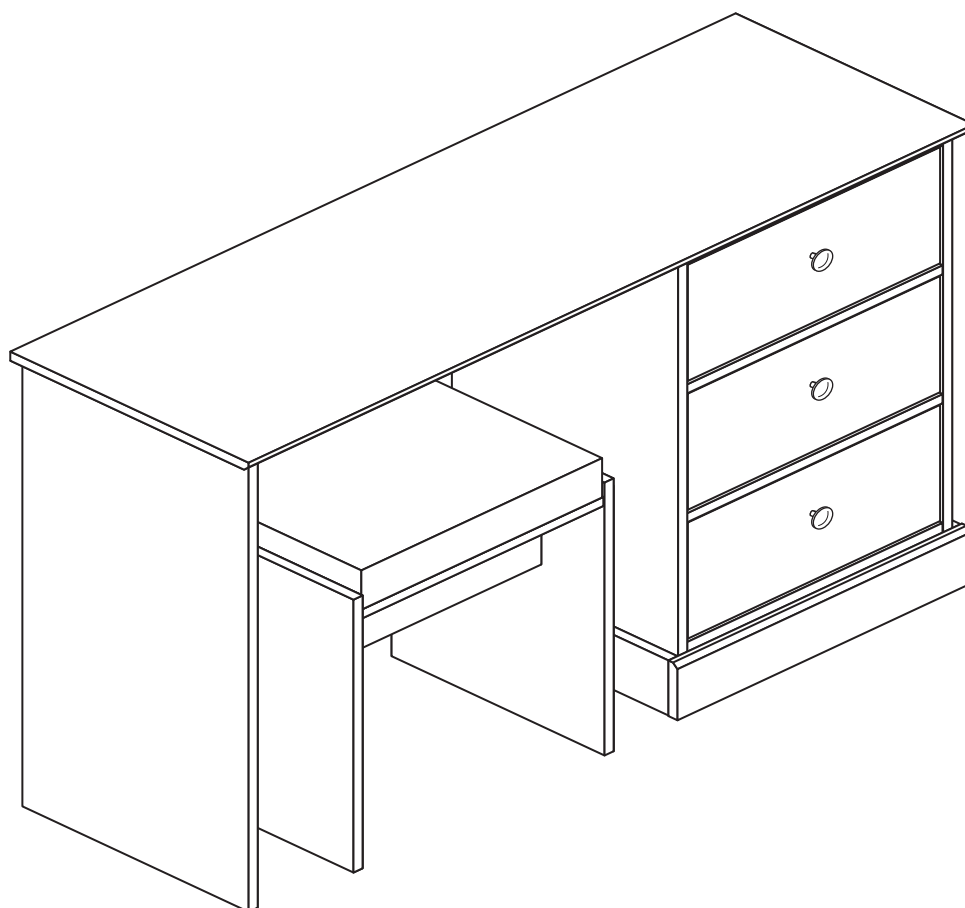


# Kensington - Dressing Table & Stool

Assembly Instructions - Please keep for future reference

411/5290

428/7070



## Dresser Dimensions

Width - 119.9cm

Depth - 39.4cm

Height - 76.1cm

## Stool Dimensions

Width - 43cm

Depth - 35.5cm

Height - 48cm



**MADE IN  
BRITAIN**

**Important** - Please read these instructions fully before starting assembly

If you need help or have damaged or missing parts, please visit [www.argos-support.co.uk](http://www.argos-support.co.uk) or email: [Help@ClickSpares.co.uk](mailto:Help@ClickSpares.co.uk) (quoting your original order number)

Alternatively, call the Spares Helpline on: 0370 112 1928.

For any other queries please contact the Customer Helpline on: 0345 640 2020



# Safety and Care Advice

**Important - Please read these instructions fully before starting assembly**

- **Warning:** This unit weighs approximately 37kgs. Please lift with care.

- Check you have all the components and tools listed on pages 2 and 3.

- Remove all fittings from the plastic bags and separate them into their groups.

- Keep children and animals away from the work area, small parts could choke if swallowed.

- Parts of the assembly will be easier with 2 people.

- Make sure you have enough space to layout the parts before starting.

- Do not stand or put weight on the product, this could cause damage.

- Assemble the item as close to its final position (in the same room) as possible.

- Assemble on a soft level surface to avoid damaging the unit or your floor (use opened out unit carton).



- We do not recommend the use of power drill/drivers **for inserting screws**, as this could damage the unit. Only use hand screwdrivers.

- **Safety note:** It is recommended that this unit is secured to a wall using the overbalance protector kit supplied or, an alternative fixing method of your choice.

- Dispose of all packaging carefully and responsibly.

## Care and maintenance

- Only clean using a damp cloth and mild detergent, do not use bleach or abrasive cleaners.

- From time to time check that there are no loose screws on this unit.

- This product should not be discarded with household waste. Take to your local authority waste disposal centre.

**Note:** If required the next page can be cut out and used as reference throughout the assembly. Keep this page with these instructions for future reference.

# Components - Panels

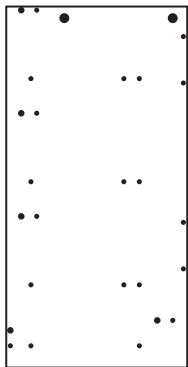
If you need help or have damaged or missing parts, please visit [www.argos-support.co.uk](http://www.argos-support.co.uk) or email: [Help@ClickSpares.co.uk](mailto:Help@ClickSpares.co.uk) (quoting your original order number)

Alternatively, call the Spares Helpline on: 0370 112 1928.

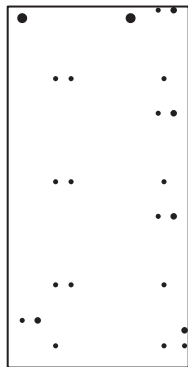
For any other queries please contact the Customer Helpline on: 0345 640 2020

Please check you have all the panels listed below

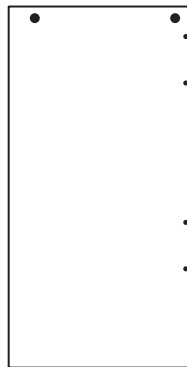
## Dressing Table



**1** Left Side (DF4477)  
(74.6 x 37.4cm)



**2** Right Side (DF2405)  
(74.6 x 37.4cm)



**3** Fly End (DF3472)  
(74.6 x 37.4cm)



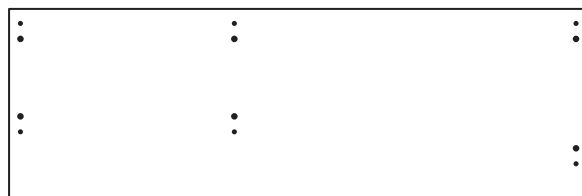
**4** Modesty (DF3473)  
(69.1 x 21.5cm) x 2



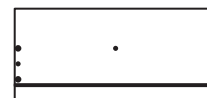
**5** Rail (DF2383)  
(42.3 x 9.2cm) x 5



**6** Front Plinth (DF2385)  
(48.5 x 9.2cm)



**8** Top (DF3471)  
(119.9 x 39.4cm)



**9** Drawer Front (DF2384)  
(41.7 x 19.2cm) x 3



**7** Side Plinth (DF2386)  
(37.4 x 9.1cm) x 2



**10** Left Drawer Side (W330-124LH)  
(33 x 12.4cm) x 3



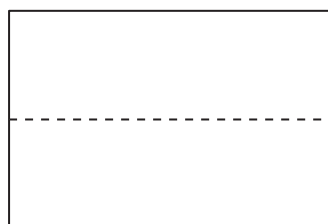
**11** Right Drawer Side (W330-124RH)  
(33 x 12.4cm) x 3



**12** Drawer Back (W390-124)  
(39 x 12.4cm) x 3

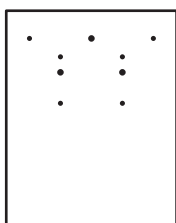


**13** Drawer Base (T401-327)  
(40.1 x 32.7cm) x 3

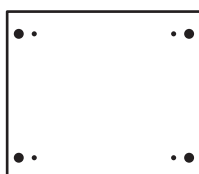


**14** Back (X667-449)  
(66.7 x 44.9cm)

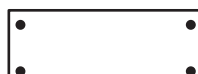
## Stool



**15** Stool Side (D0996A)  
(451 x 352mm) x 2



**16** Stool Base (D0997A)  
(400 x 348mm)



**17** Stool Rail (D0998A)  
(400 x 144mm) x 2



**18** Seat Pad (FMANPAD)  
(398 x 348mm)



# Components - Fittings

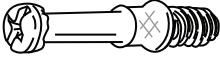


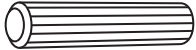




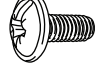


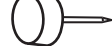

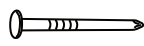
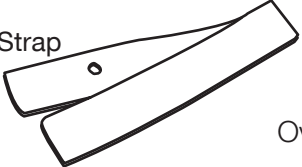



If you need help or have damaged or missing parts, please visit [www.argos-support.co.uk](http://www.argos-support.co.uk) or email: [Help@ClickSpares.co.uk](mailto:Help@ClickSpares.co.uk) (quoting your original order number)

Alternatively, call the Spares Helpline on: 0370 112 1928.

For any other queries please contact the Customer Helpline on: 0345 640 2020

Please check you have all the fittings listed below

**Note:** The quantities below are the correct amount to complete the assembly. In some cases more fittings may be supplied than are required.

|  |  |   |
|--|--|---|
| <p><b>A</b> </p> <p>Metal dowel (F901) x 44</p>   | <p><b>B</b> </p> <p>Large locking nut (F900) x 38</p> | <p><b>C</b> </p> <p>Small locking nut (F3) x 6</p> |
| <p><b>D</b> </p> <p>Wooden dowel (F22) x 24</p>   | <p><b>E</b> </p> <p>Knock-in Peg (F1716Y) x 12</p>    | <p><b>F</b> </p> <p>38mm Screw (F81) x 4</p>       |
| <p><b>G</b> </p> <p>25mm Screw (F50) x 4</p>  | <p><b>H</b> </p> <p>19mm Screw (F461) x 3</p>        | <p><b>I</b> </p> <p>9mm Screw (F74) x 6</p>       |
| <p><b>J</b> </p> <p>9mm Screw (F73) x 12</p>  | <p><b>K</b> </p> <p>Wedgefix (F639) x 6</p>         | <p><b>L</b> </p> <p>Plastic Nail (F91) x 10</p>  |
| <p><b>M</b> </p> <p>Drawer runner (F1004) x 6</p>   |  | <p><b>N</b> </p> <p>Nail (F51) x 14</p>          |
| <p><b>O</b>   Screw  Washer x 2</p> <p>Overbalance protector kit (F269) x 1</p> |  | <p><b>P</b> </p> <p>Handle (F220) x 3</p>        |

Ruler - Use this ruler to help correctly identify the screws





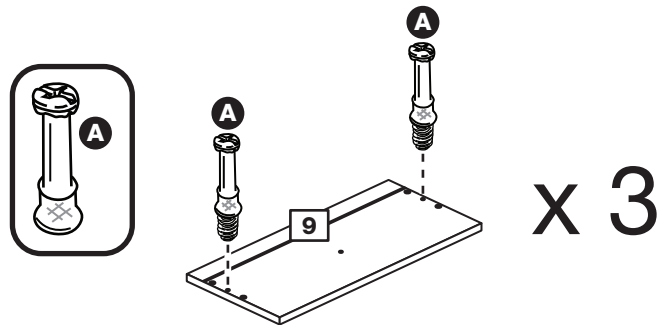
# Assembly Instructions

## Step 1

### Prepare the 3 drawer fronts

Screw 2 metal dowels **A** into each of the drawer fronts **9**.

**Note:** Tighten the metal dowels up fully against the panels.

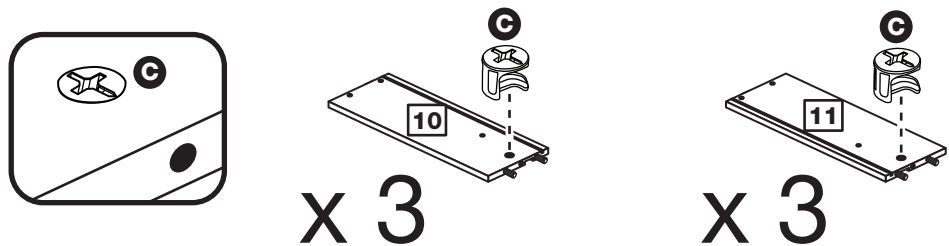


## Step 2

### Prepare the drawer sides

Insert a small locking nut **C** into the hole shown on the left drawer side **10** and the right drawer side **11**.

**Note:** The arrow on the locking nut **must** point towards the hole in the edge of the panel.



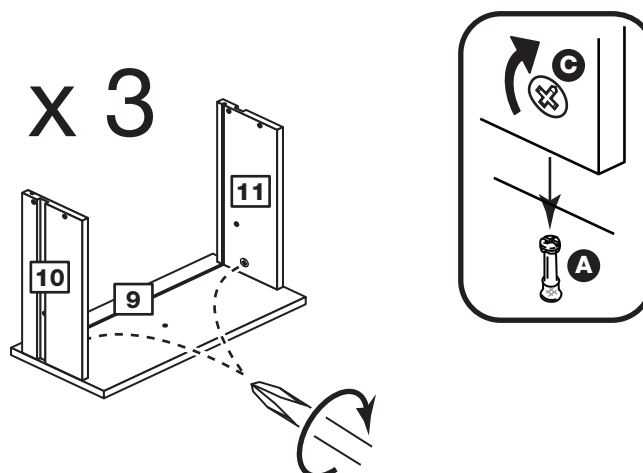
## Step 3

### Attach the drawer sides to the drawer fronts

Push the left drawer sides **10** and right drawer sides **11** onto the back of the drawer fronts **9**.

Turn the small locking nuts **C** on the left drawer side **10** and right drawer side **11**.

**Note:** Turn the locking nuts **C** clockwise to secure panels - more than 1/2 a turn.

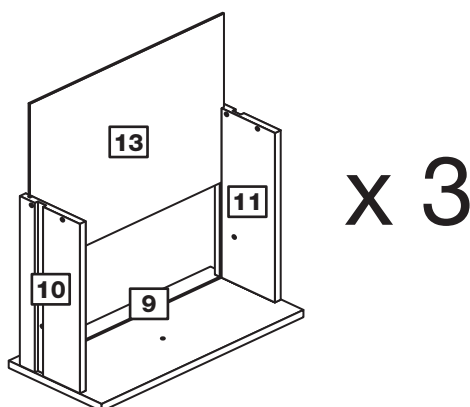


# Assembly Instructions

## Step 4

### Fit the drawer base

Slide the drawer base **13** down the grooves in the drawer sides **10** and **11** and down into the groove in the drawer front **9**.

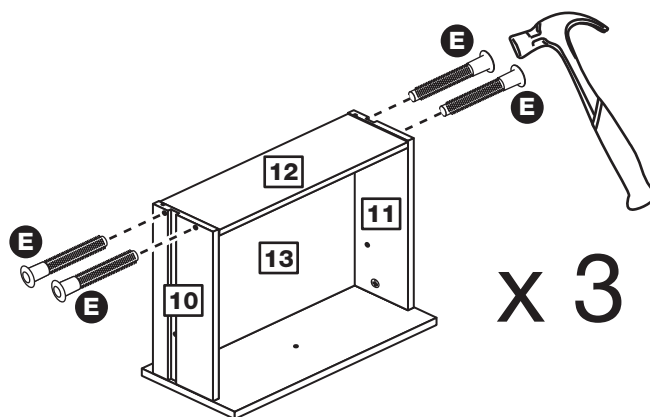


## Step 5

### Fit the drawer back

Fit the drawer back **12** between the drawer sides **10** and **11**. Make sure that the drawer base **13** fits into the groove in the drawer back **12**.

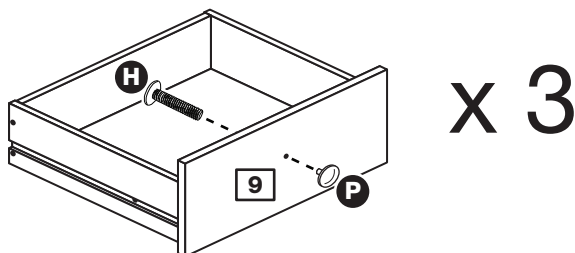
Hold the drawer back **12** in position and tap the knock-in pegs **E** through the holes in the drawer sides **10** and **11**.



## Step 6

### Attach the handles

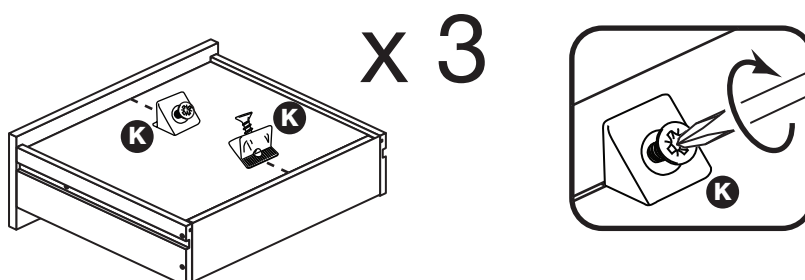
Attach a handle **P** to each of the drawer fronts **9** using screw **H**.



## Step 7

### Fit the wedgifixes

Turn the drawer assemblies over and slide 2 wedgifixes **K** into the front and back grooves, as shown, and tighten up the screws.



# Assembly Instructions

## Step 8

### Prepare the left side

**a:** Place 3 runners **M** on the left side **1** as shown. Slide back the top of runner and use the 2nd hole from the front to fit the 1st screw **J**.

**b:** Slide the runner **M** back the other way and fit the 2nd screw **J** into the corresponding hole in the left side **1**.

**c:** Screw 5 metal dowels **A** into the left side **1**.

Insert 2 large locking nuts **B** into the left side **1**.

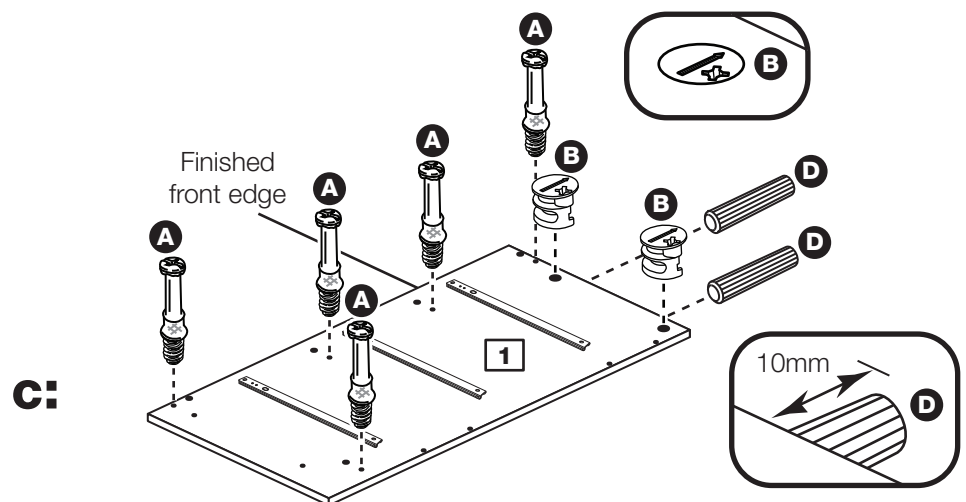
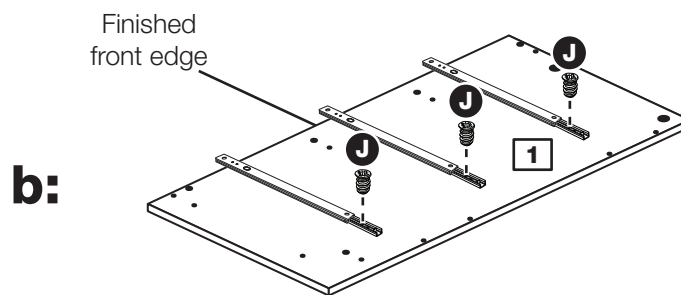
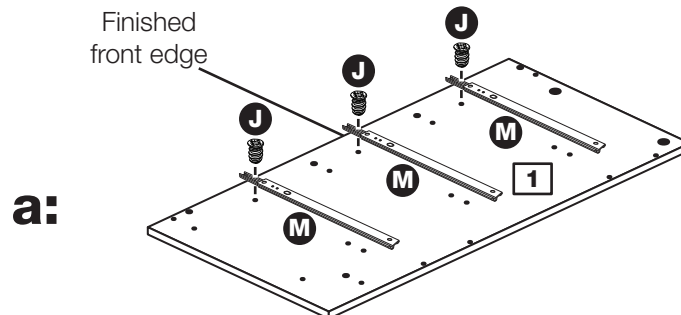
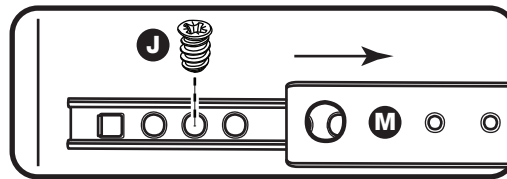
**Note:** The arrow on the locking nuts **must** point towards the hole in the edge of the panel.

Tap 2 wooden dowels **D** into the left side **1**.

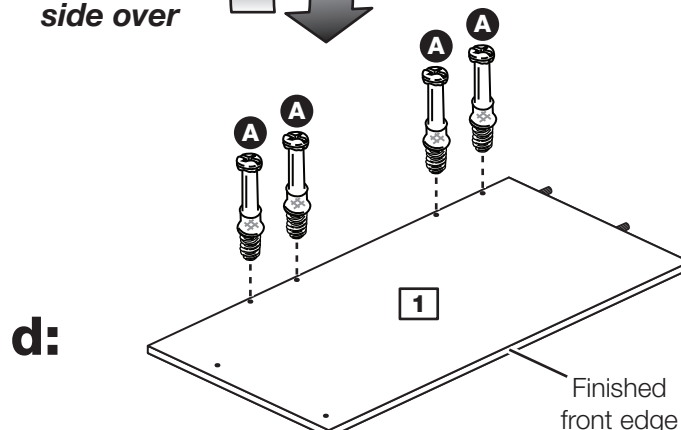
**Note:** Wooden dowels **must not** stick out from the edge by more than 10mm or they may damage other panels.

### Turn the left side over

**d:** Screw 4 metal dowels **A** into the left side **1**.



**Turn the left side over**



# Assembly Instructions

## Step 9

### Prepare the right side

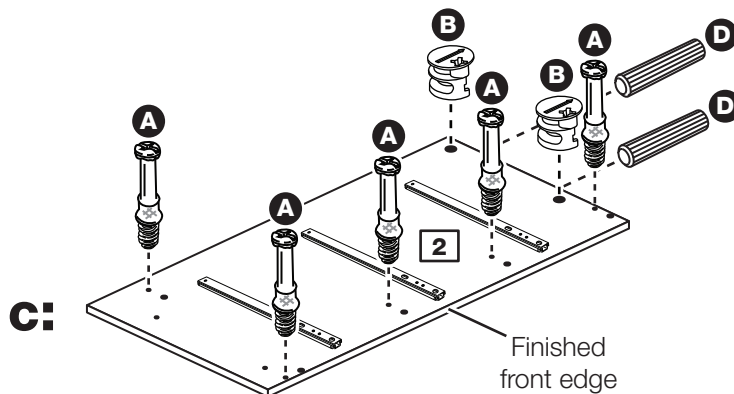
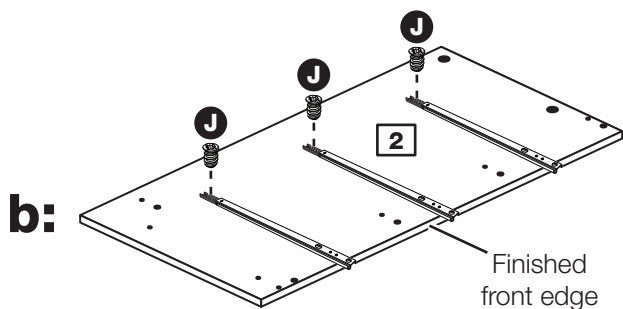
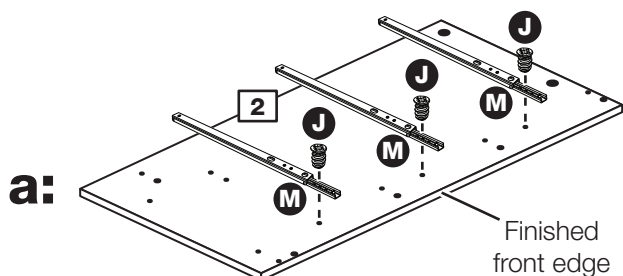
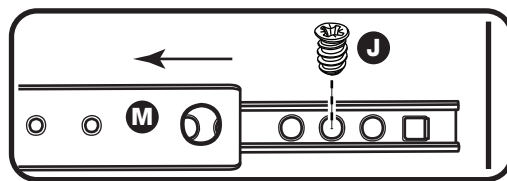
**a:** Place 3 runners **M** on the right side **2** as shown. Slide back the top of runner and use the 2nd hole from the front to fit the 1st screw **J**.

**b:** Slide the runner **M** back the other way and fit the 2nd screw **J** into the corresponding hole in the right side **2**.

**c:** Screw 5 metal dowels **A** into the right side **2**.

Insert 2 large locking nuts **B** into the right side **2**.

Tap 2 wooden dowels **D** into the right side **2**.



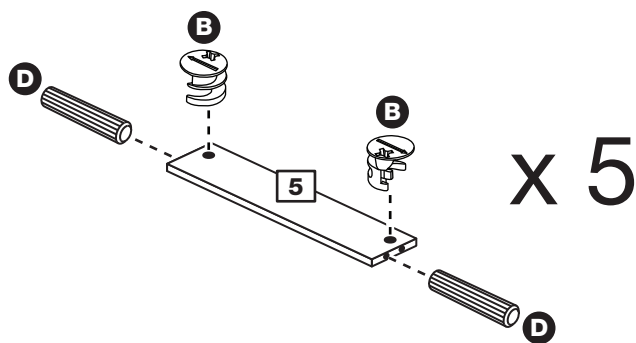
# Assembly Instructions

## Step 10

### Prepare the 5 rails

Insert 2 large locking nuts **B** into each of the 5 rails **5**.

Tap 2 wooden dowels **D** into each of the 5 rails **5**.



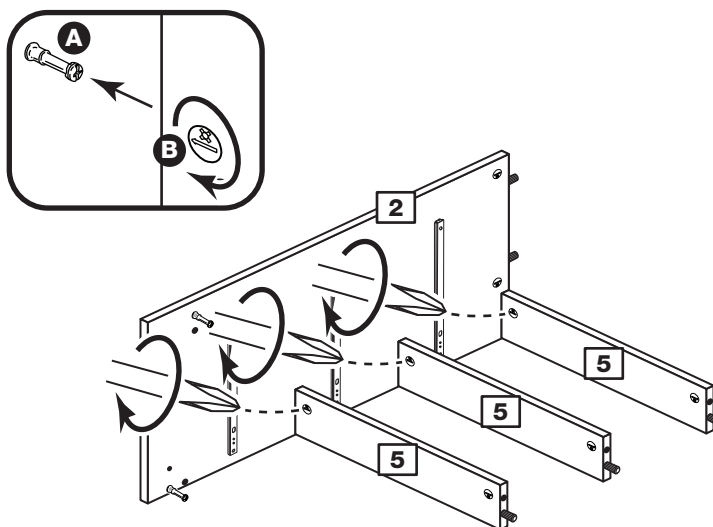
## Step 11

### Fit 3 of the rails to the right side

Push 3 rails **5** onto the right side **2**.

Use a screwdriver to tighten the large locking nut **B** fitted to each of the rails **5**.

**Note:** Turn the large locking nuts **B** as far as they will go - more than 1/2 a turn.

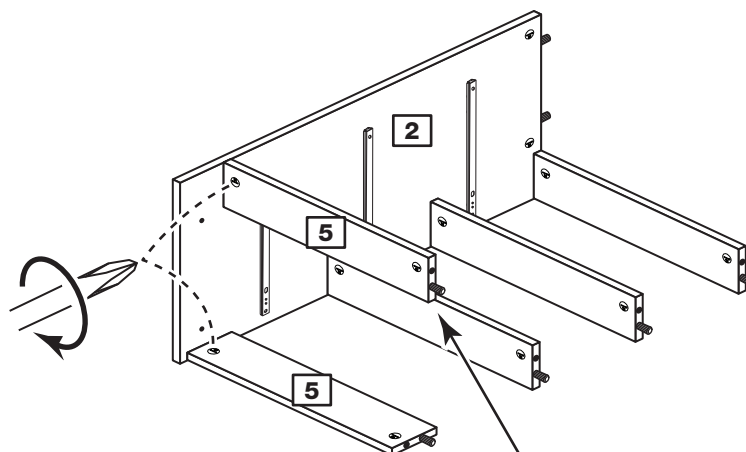


## Step 12

### Fit the other 2 rails to the right side

Push the 2 rails **5** onto the right side **2**.

Use a screwdriver to tighten the large locking nut **B** fitted to each of the rails **5**.



**Note:** Fit the rail at the back last and support it until the left side has been fitted in the next step.

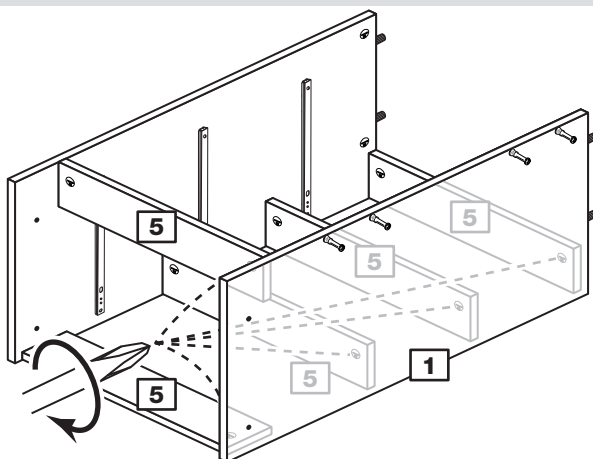
# Assembly Instructions

## Step 13

### Fit the left side

Push the left side **1** onto the rails **5**.

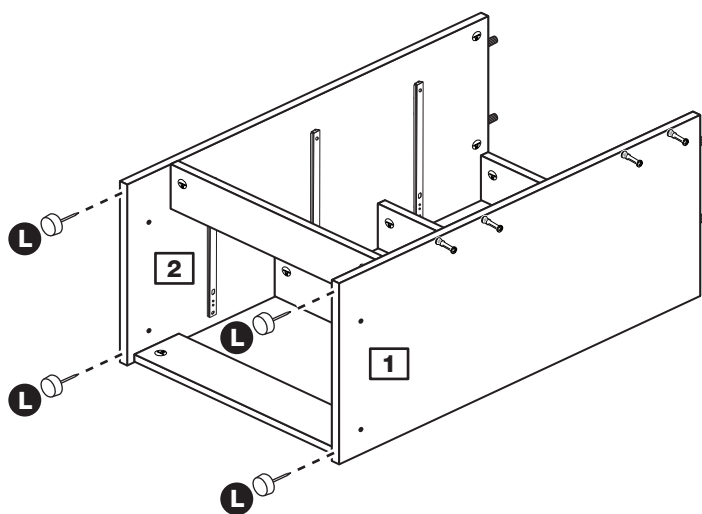
Use a screwdriver to tighten the large locking nut **B** fitted to each of the rails **5**.



## Step 14

### Fit the 4 plastic nails

Tap 2 plastic nails **L** into the bottom edge of each of the sides **1** and **2**.

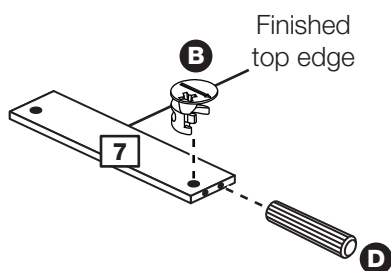


## Step 15

### Prepare a side plinth

Insert a large locking nut **B** into 1 of the side plinths **7**.

Tap a wooden dowel **D** into the side plinth **7**.

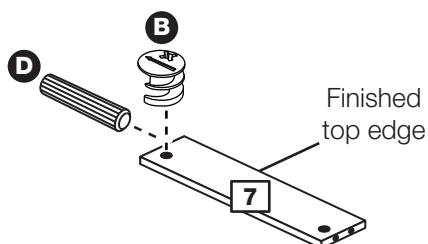


## Step 16

### Prepare the other side plinth

Insert a large locking nut **B** into the side plinth **7**.

Tap a wooden dowel **D** into the side plinth **7**.

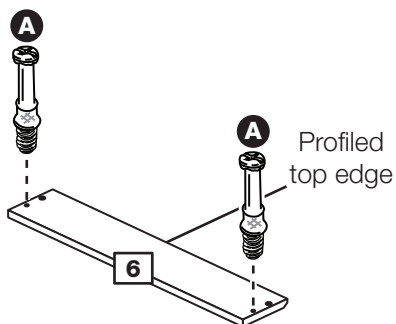


# Assembly Instructions

## Step 17

### Prepare the front plinth

Screw 2 metal dowels **A** into the front plinth **6**.

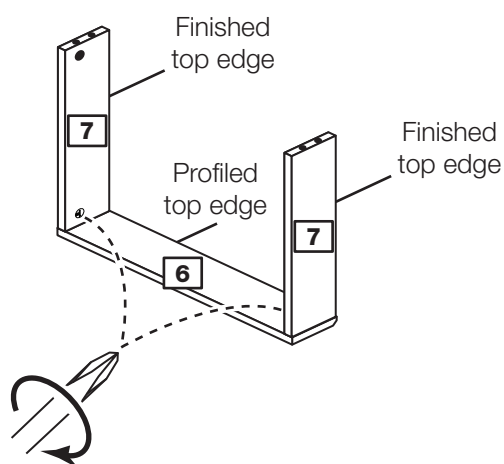


## Step 18

### Fit the plinths together

Push the 2 side plinths **7** onto the front plinth **6**.

Use a screwdriver to tighten the large locking nuts **B** fitted to the side plinths **7**.



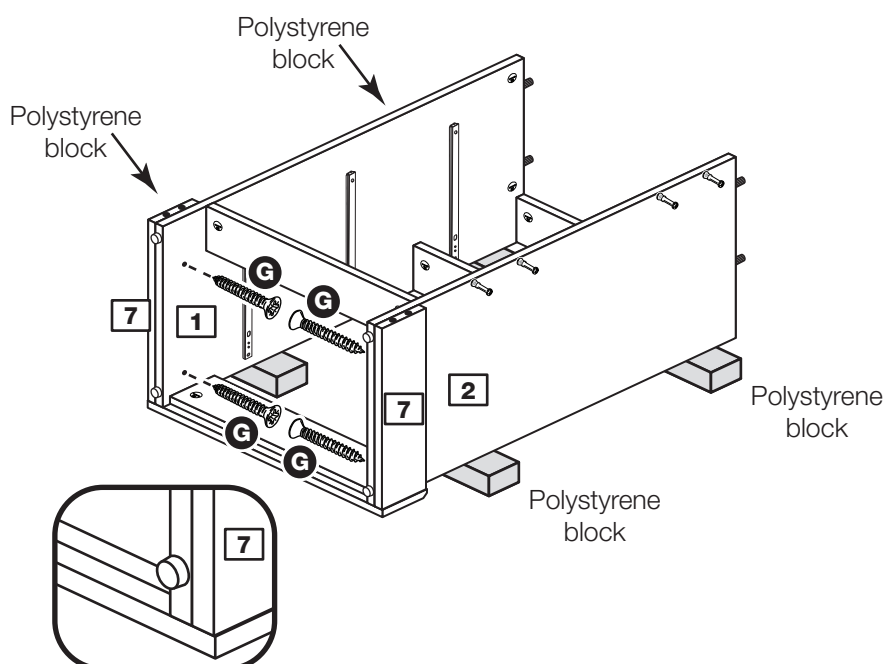
## Step 19

### Fit the plinths

Position the 3 plinths onto the assembly ensuring that the bottom edge of the plinths are flush with the bottom edge of the sides, as shown.

Secure the 2 side plinths **7** through the left end **1** and right end **2** using screws **G**.

**Note:** To make it easier to fit the top and plinths, place polystyrene blocks from the packaging underneath both side panels to raise the assembly.

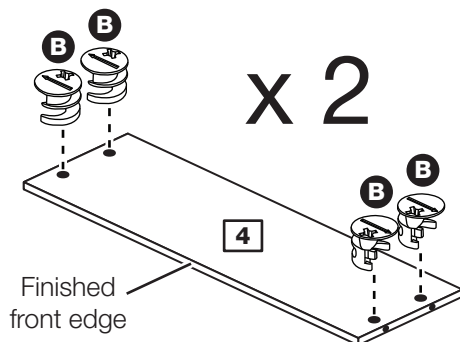


# Assembly Instructions

## Step 20

### Prepare the 2 modesty panels

Insert 4 large locking nuts **B** into each of the 2 modesty panels **4**.



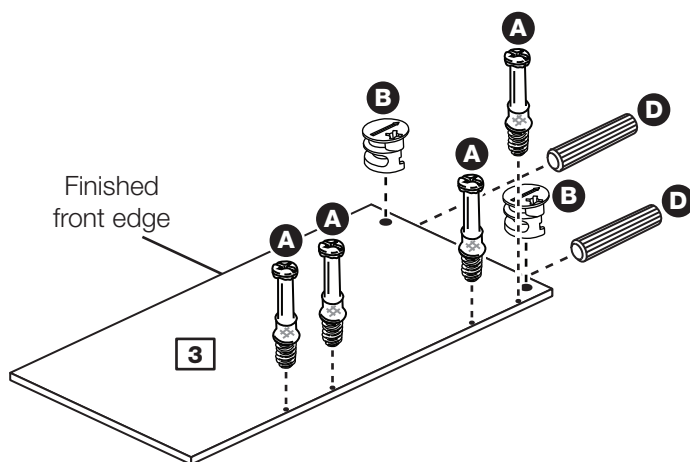
## Step 21

### Prepare the fly end

Screw 4 metal dowels **A** into the fly end **3**.

Insert 2 large locking nuts **B** into the fly end **3**.

Tap 2 wooden dowels **D** into the fly end **3**.



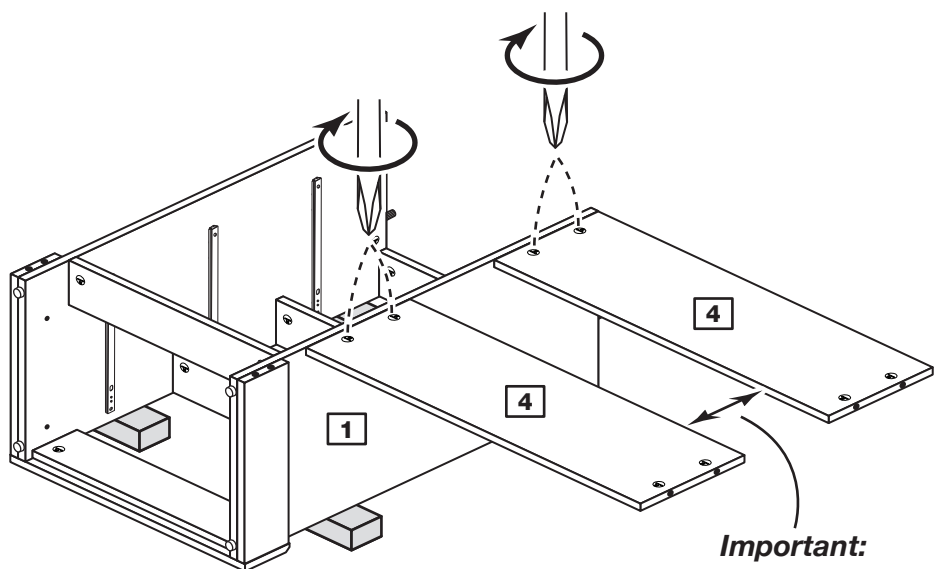
## Step 22

### Fit the 2 modesty panels

Push the 2 modesty panels **4** onto the left side **1**.

Use a screwdriver to tighten the 2 large locking nuts **B** fitted to each modesty **4**.

**Note:** Support the modesty panels until the fly end has been fitted in the next step.



**Important:**  
The finished edges on the modesty panels must be facing each other



# Assembly Instructions

## Step 23

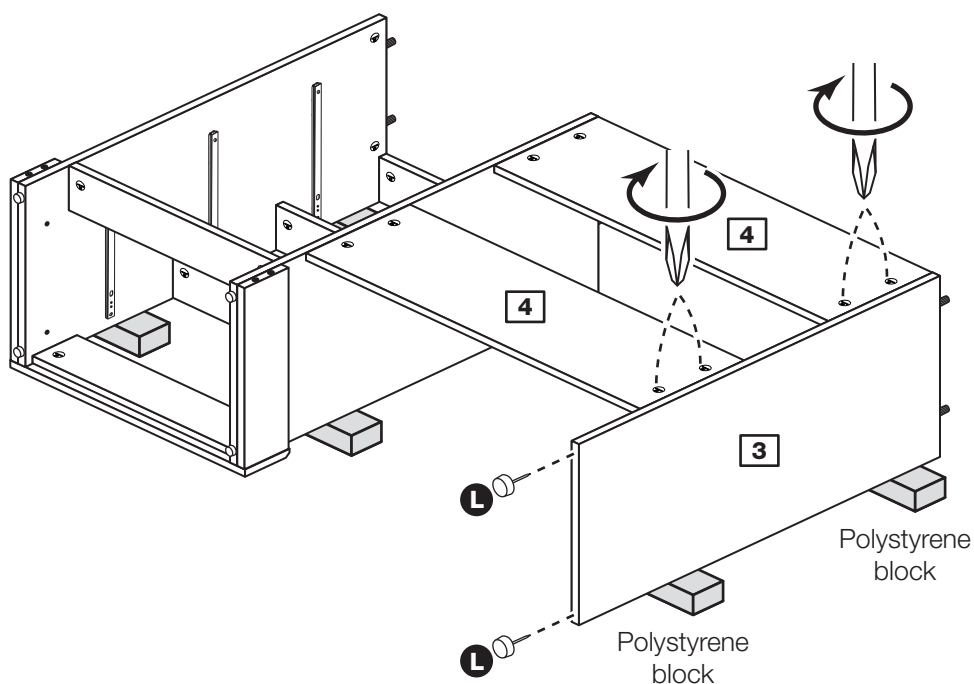
### Fit the fly end

Push the fly end **3** onto the 2 modest panels **4**.

Use a screwdriver to tighten the 2 large locking nuts **B** fitted to each modesty **4**.

Tap 2 plastic nails **L** into the bottom edge of the fly end **3**.

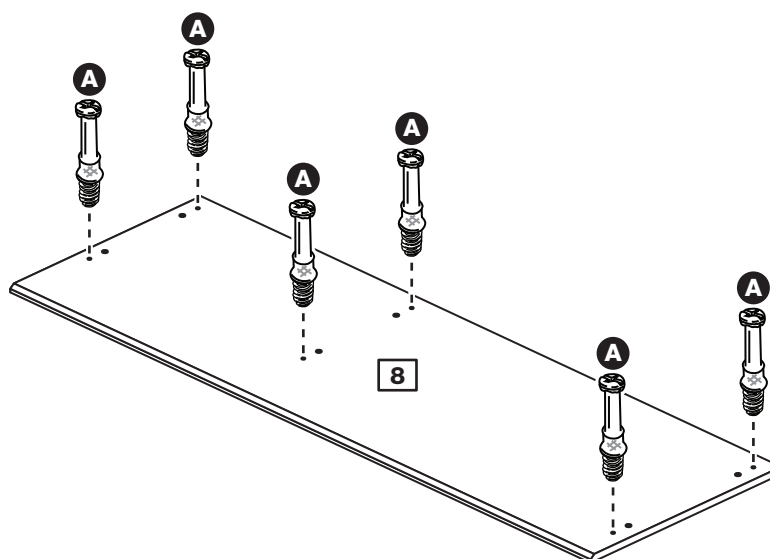
**Note:** Place 2 more polystyrene blocks from the packaging underneath the fly end.



## Step 24

### Prepare the top

Screw 6 metal dowels **A** into the top **8**.



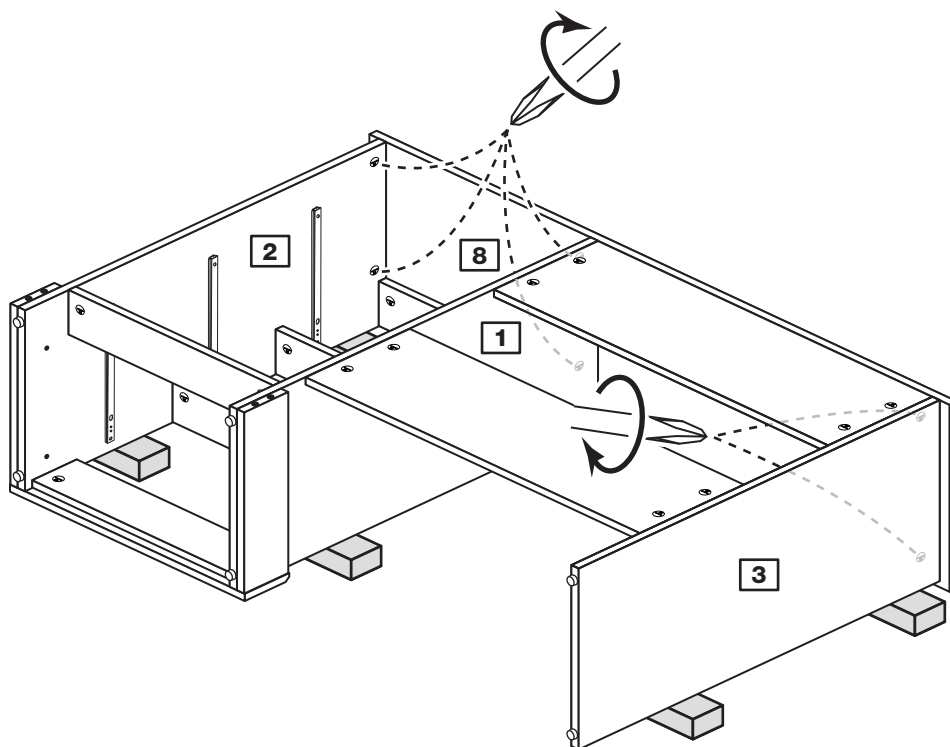
# Assembly Instructions

## Step 25

### Fit the top

Push the top **8** onto the assembly.

Use a screwdriver to tighten the 2 large locking nuts **B** fitted to each of the sides **1** and **2** and the fly end **3**.



## Step 26

### Fit the back

**a:** Square up the unit by making sure that measurement **x** to **x** equals **y** to **y**.

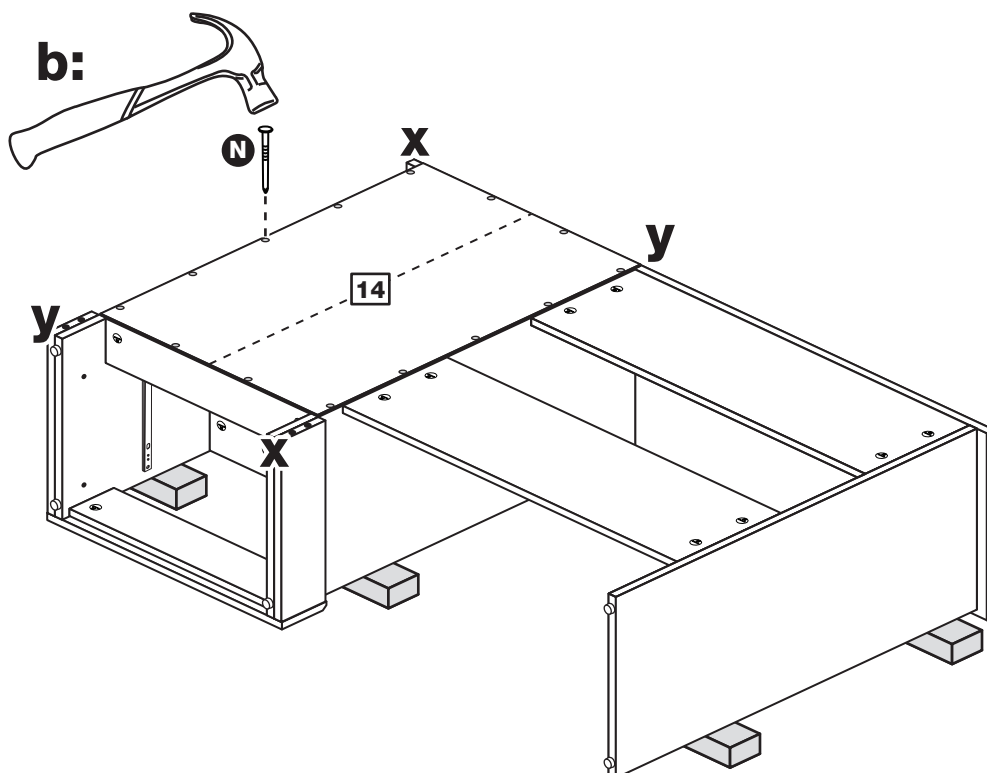
**b:** Place the back **14** onto the unit.

Nail **N** around the outside edges of the back **14**.

**Note:** Nails should be spaced about 150mm apart.

**Carefully stand the unit up for the next step.**

**a:** The measurement from top corner X to bottom corner X must be equal to the measurement from top corner Y to bottom corner Y



**Warning:** The unit is heavy. Lift with care.

# Assembly Instructions

## Step 27

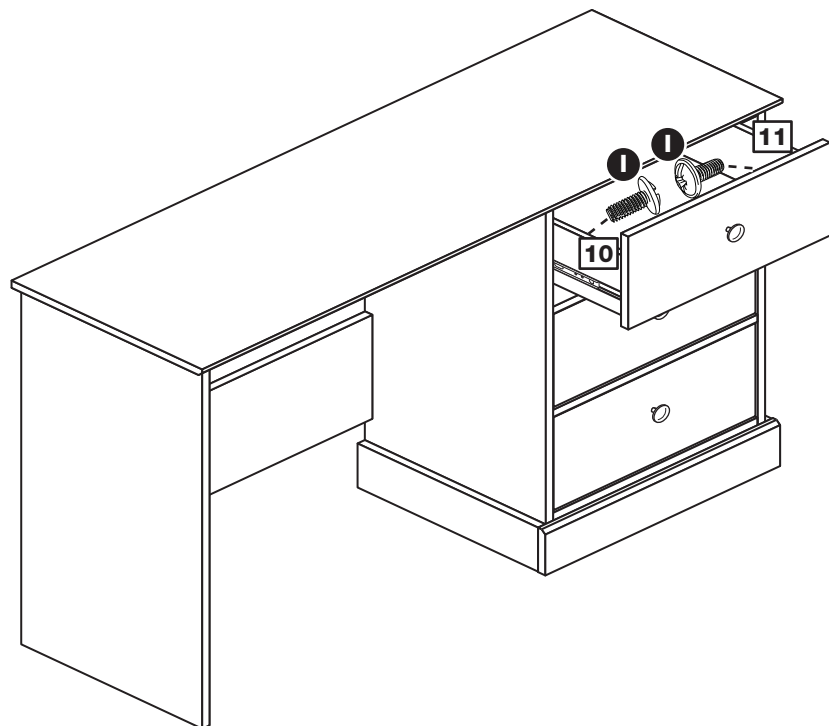
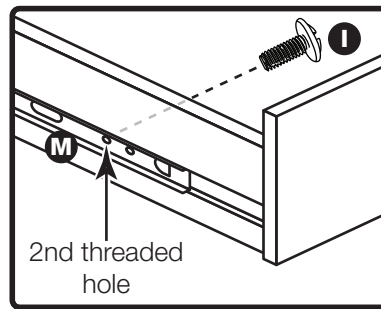
### Fit the drawers

Starting with the bottom drawer, slide both the runners **M** forward and locate the drawer sides **10** and **11** between them, lining up the holes in the drawer wrap with the 2nd 'threaded' holes in the runners **M**.

Working from the inside of the drawer, insert 2 screws **I** through the drawer sides and out into the 2nd threaded hole in the runner.

**Note:** Do not overtighten the screws **I**. If they catch on the runner you may need to loosen them slightly.

**The assembly of the dressing table is complete**

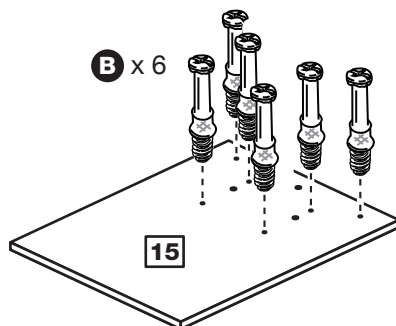


# Assembly Instructions

## Step 28

### Prepare the 2 stool sides

Screw 6 metal dowels **B** into each of the 2 stool sides **15**, as shown.



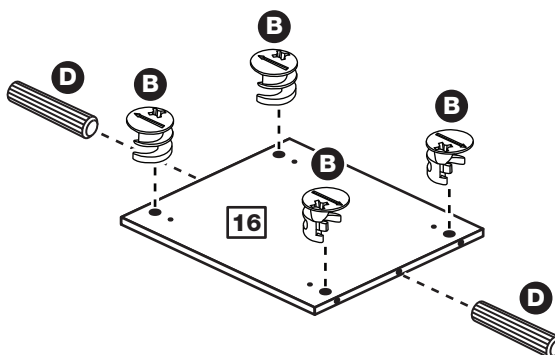
x 2

## Step 29

### Prepare the stool base

Insert 4 large locking nuts **B** into the holes in the stool base **16**.

Tap 2 wooden dowels **D** into the ends of the stool base **16**.

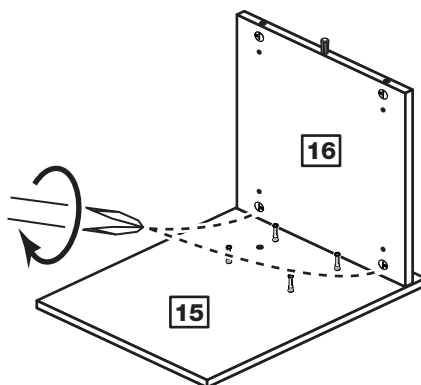


## Step 30

### Fit a stool side to the stool base

Fit one of the stool sides **15** to the stool base **16**.

Use a screwdriver to tighten the 2 large locking nuts **B** fitted to the stool base **16**.

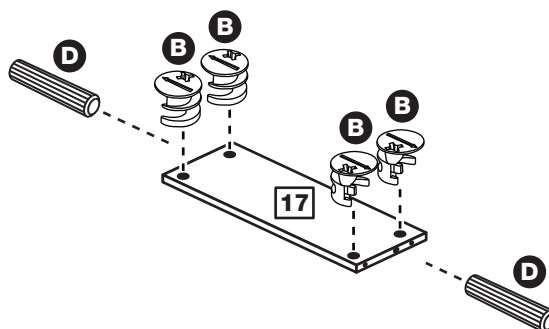


## Step 31

### Prepare the 2 stool rails

Insert 4 large locking nuts **B** into each of the 2 stool rails **17**.

Tap 2 wooden dowels **D** into each stool rail **17**.



x 2

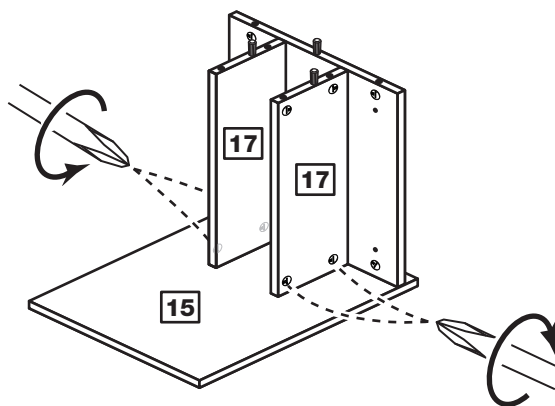
# Assembly Instructions

## Step 32

### Fit the 2 stool rails

Push the 2 stool rails **17** down onto the stool side **15**, as shown.

Use a screwdriver to tighten the 2 large locking nuts **B** fitted to each stool rail **17**.



## Step 33

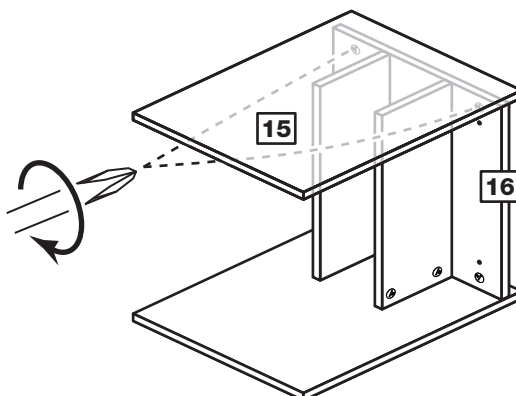
### Fit the other stool side

**a:** Push the other stool side **15** down onto the assembly, as shown.

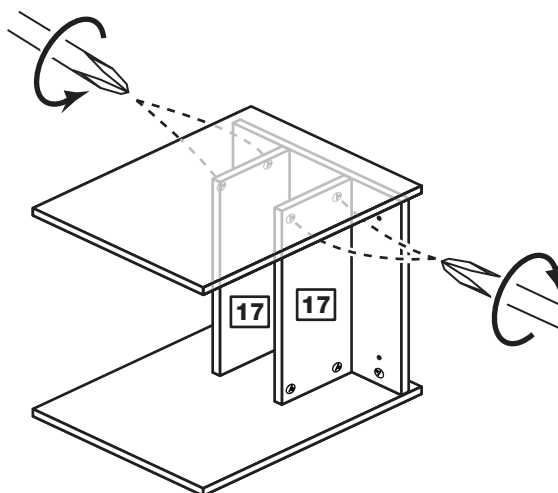
Use a screwdriver to tighten the 2 large locking nuts **B** fitted to the stool base **16**.

**b:** Use a screwdriver to tighten the 2 large locking nuts **B** fitted to each of the stool rails **17**.

**a:**



**b:**



# Assembly Instructions

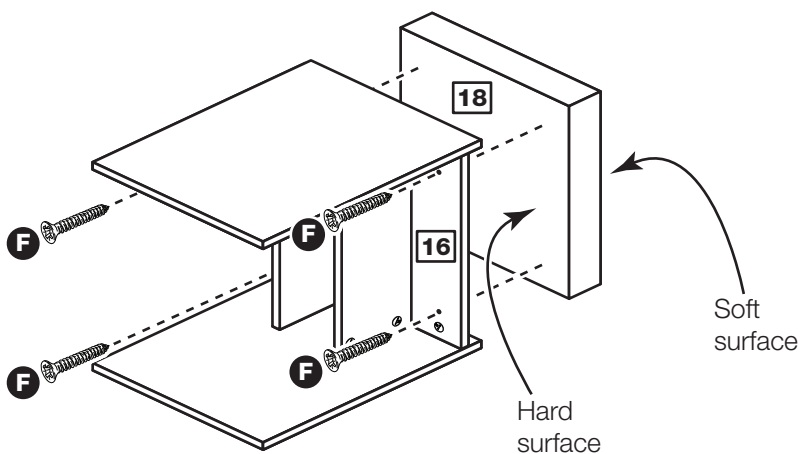
## Step 34

### Fit the seat pad

Position the seat pad **18** onto the assembly and make sure that its 4 edges line up with the stool base **16**.

Hold the seat pad **18** in position and screw up through the 4 holes in the stool base **16** using screws **F**.

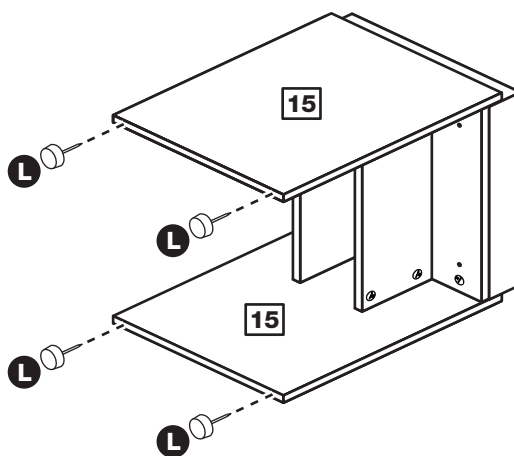
**Note:** Make sure that you screw into the hard surface of the seat pad.



## Step 35

### Fit the plastic nails


Tap 2 plastic nails **L** into the bottom edge of each of the stool sides **15** as shown.



# Assembly Instructions

## Step 36

### Fit the overbalance protector kit

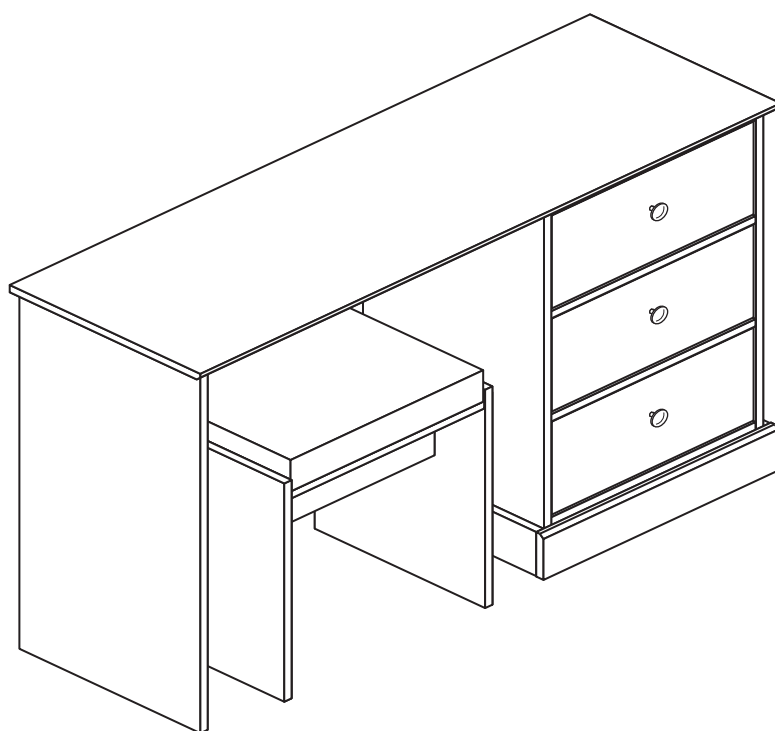
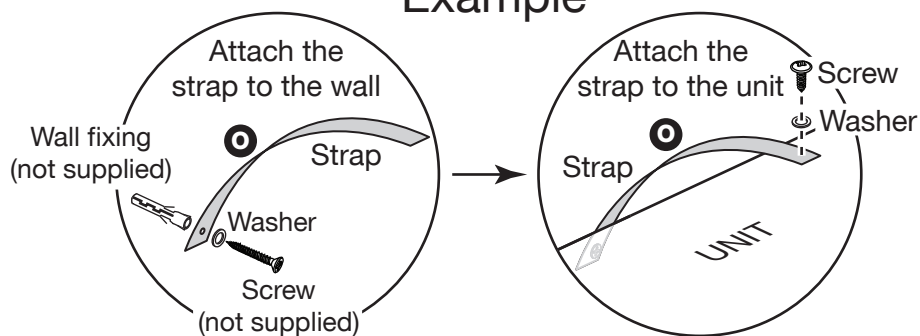
To prevent possible overbalancing we recommend that the dressing table is secured to a suitable wall by fitting of the overbalance protector kit  to the unit, or an alternative fixing method of your choice.

Wall fixings are not supplied as they will need to suit the wall type.

**Note:** Take care when drilling the wall that you do not drill into any pipes, wires etc. If in doubt, consult an expert.

**Assembly is complete**

### Example



If you need help or have damaged or missing parts, please visit [www.argos-support.co.uk](http://www.argos-support.co.uk) or email: [Help@ClickSpares.co.uk](mailto:Help@ClickSpares.co.uk) (quoting your original order number)  
Alternatively, call the Spares Helpline on: 0370 112 1928.  
For any other queries please contact the Customer Helpline on: 0345 640 2020

