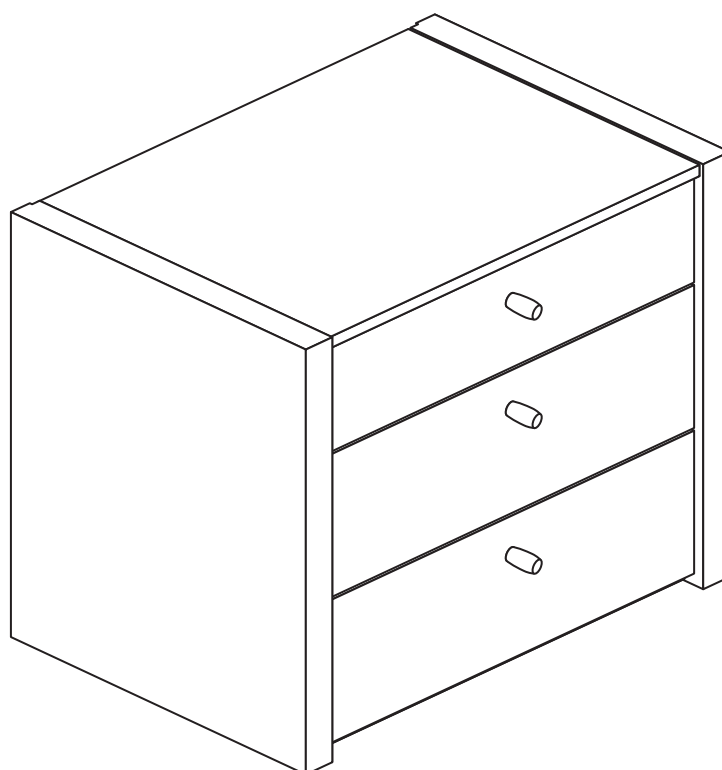


# Hertford - 3 Drawer Bedside

Assembly Instructions - Please keep for future reference

427/4928

424/2053



## Dimensions

Width - 56cm

Depth - 39cm

Height - 56cm



**MADE IN  
BRITAIN**

**Important** - Please read these instructions fully before starting assembly

If you need help or have damaged or missing parts, please visit [www.argos-support.co.uk](http://www.argos-support.co.uk) or email: [Help@ClickSpares.co.uk](mailto:Help@ClickSpares.co.uk) (quoting your original order number)

Alternatively, call the Spares Helpline on: 0370 112 1928.

For any other queries please contact the Customer Helpline on: 0345 640 2020



# Safety and Care Advice

**Important - Please read these instructions fully before starting assembly**

- **Warning:** This unit weighs approximately 15kgs. Please lift with care.

- Check you have all the components and tools listed on pages 2 and 3.

- Remove all fittings from the plastic bags and separate them into their groups.

- Keep children and animals away from the work area, small parts could choke if swallowed.

- Parts of the assembly will be easier with 2 people.

- Make sure you have enough space to layout the parts before starting.

- Do not stand or put weight on the product, this could cause damage.

- Assemble the item as close to its final position (in the same room) as possible.

- Assemble on a soft level surface to avoid damaging the unit or your floor (use opened out unit carton).



- We do not recommend the use of power drill/drivers **for inserting screws**, as this could damage the unit. Only use hand screwdrivers.

- **Safety note:** If there is any chance of this unit being pulled over by children etc. it is recommended that the unit is secured to a wall using suitable fixings (not supplied).

- Dispose of all packaging carefully and responsibly.

## Care and maintenance

- Only clean using a damp cloth and mild detergent, do not use bleach or abrasive cleaners.

- From time to time check that there are no loose screws on this unit.

- This product should not be discarded with household waste. Take to your local authority waste disposal centre.

**Note:** If required the next page can be cut out and used as reference throughout the assembly. Keep this page with these instructions for future reference.

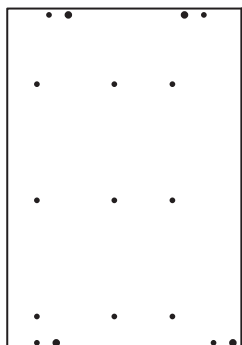
# Components - Panels

If you need help or have damaged or missing parts, please visit [www.argos-support.co.uk](http://www.argos-support.co.uk) or email: [Help@ClickSpares.co.uk](mailto:Help@ClickSpares.co.uk) (quoting your original order number)

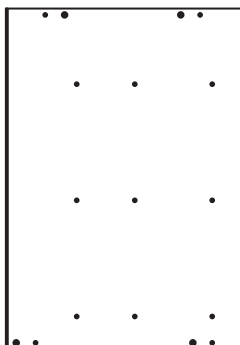
Alternatively, call the Spares Helpline on: 0370 112 1928.

For any other queries please contact the Customer Helpline on: 0345 640 2020

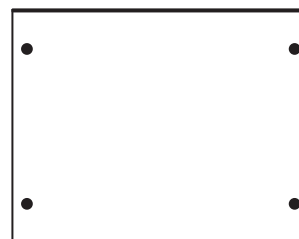
Please check you have all the panels listed below



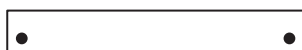
**1** Left Side (DF3858)  
(56.2 x 39cm)



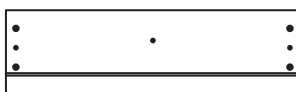
**2** Right Side (DF3859)  
(56.2 x 39cm)



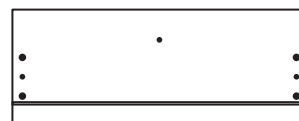
**3** Top (DF351)  
(49.05 x 38.5cm)



**4** Rail (DF352)  
(49.05 x 7cm) x 2



**5** Top Drawer Front (DF353)  
(48.6 x 14cm)



**6** Bottom Drawer Front (DF354)  
(48.6 x 18.9cm) x 2



**7** Top Left Drawer Side (W350-95LH)  
(35 x 9.5cm)



**8** Top Right Drawer Side (W350-95RH)  
(35 x 9.5cm)



**9** Top Drawer Back (W441-95)  
(44.1 x 9.5cm)



**10** Bottom Left Drawer Side (W350-124LH)  
(35 x 12.4cm) x 2



**11** Bottom Right Drawer Side (W350-124RH)  
(35 x 12.4cm) x 2



**12** Bottom Drawer Back (W441-124)  
(44.1 x 12.4cm) x 2



**13** Drawer Base (T452-347)  
(45.2 x 34.7cm) x 3



**14** Back (X547-508)  
(54.7 x 50.8cm)



# Components - Fittings

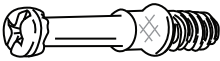


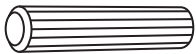
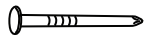








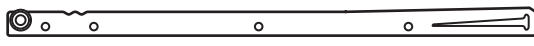

If you need help or have damaged or missing parts, please visit [www.argos-support.co.uk](http://www.argos-support.co.uk) or email: [Help@ClickSpares.co.uk](mailto:Help@ClickSpares.co.uk) (quoting your original order number)

Alternatively, call the Spares Helpline on: 0370 112 1928.

For any other queries please contact the Customer Helpline on: 0345 640 2020

Please check you have all the fittings listed below

**Note:** The quantities below are the correct amount to complete the assembly. In some cases more fittings may be supplied than are required.

<p><b>A</b> </p> <p>Metal dowel (F901) x 14</p>	<p><b>B</b> </p> <p>Large locking nut (F900) x 8</p>	<p><b>C</b> </p> <p>Small locking nut (F3) x 6</p>
<p><b>D</b> </p> <p>Wooden dowel (F22) x 8</p>	<p><b>E</b> </p> <p>Nail (F51) x 14</p>	<p><b>F</b> </p> <p>Knock-in Peg (F171GY) x 12</p>
<p><b>G</b> </p> <p>19mm Screw (F461) x 3</p>	<p><b>H</b> </p> <p>13mm Screw (F63) x 18</p>	<p><b>I</b> </p> <p>9mm Screw (F73) x 18</p>
<p><b>J</b> </p> <p>Wedgefix (F639) x 6</p>	<p><b>K</b> </p> <p>Handle (F341) x 3</p>	
<p><b>L a</b>  L Runner (F159) x 3 ← 350mm long →</p> <p><b>L b</b>  R Runner (F160) x 3</p> <p><b>L c</b>  L Runner (F161) x 3</p> <p><b>L d</b>  R Runner (F162) x 3</p>		

## Tools required



Rule



Cross-head screwdriver



Scissors

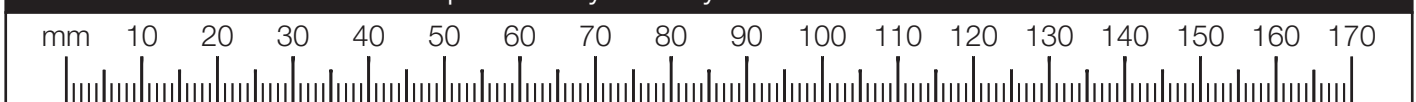


Hammer



Eye protection (when using a hammer or drill)

Ruler - Use this ruler to help correctly identify the screws



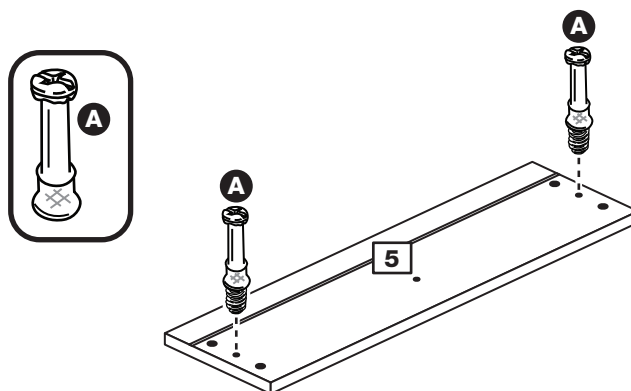
# Assembly Instructions

## Step 1

### Prepare the top drawer front

Screw 2 metal dowels **A** into the top drawer front **5**.

**Note:** Tighten the metal dowels up fully against the panels.

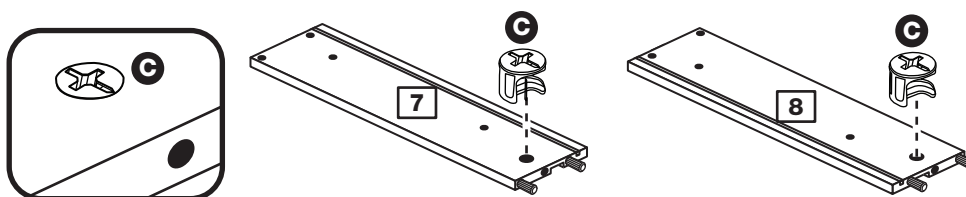


## Step 2

### Prepare the top drawer sides

Insert a small locking nut **C** into the hole shown on the top left drawer side **7** and the top right drawer side **8**.

**Note:** The arrow on the locking nut **must** point towards the hole in the edge of the panel.



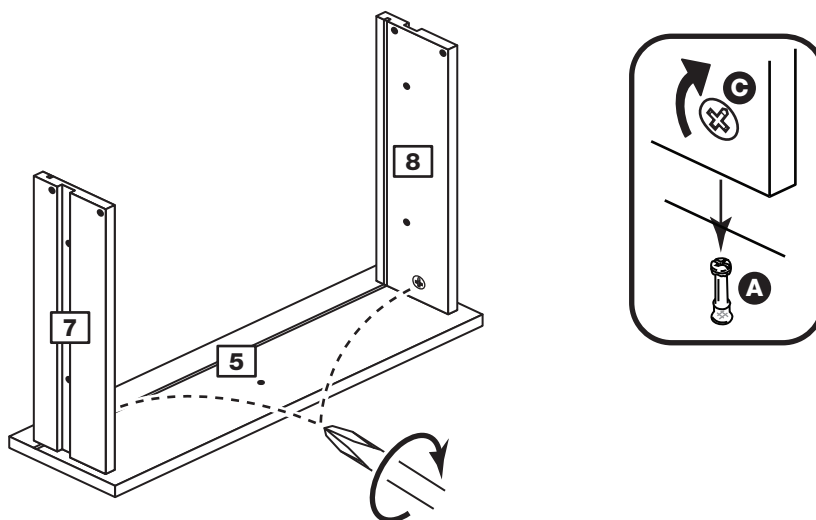
## Step 3

### Attach the top drawer sides to the top drawer front

Push the top left drawer side **7** and top right drawer side **8** onto the back of the top drawer front **5**.

Turn the small locking nuts **C** on the top left drawer side **7** and top right drawer side **8**.

**Note:** Turn the locking nuts **C** clockwise to secure panels - more than 1/2 a turn.

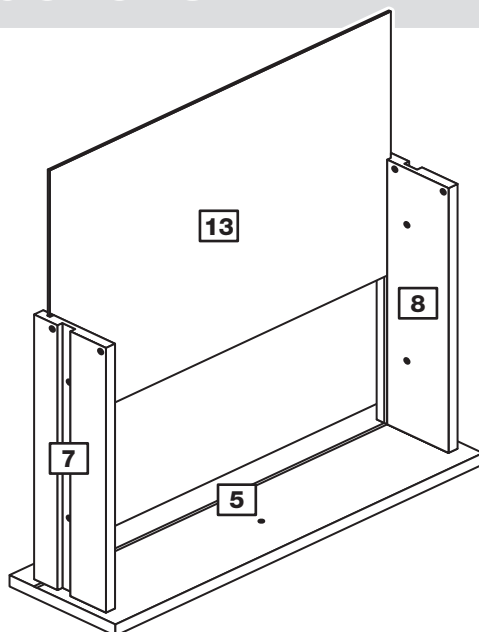


# Assembly Instructions

## Step 4

### Fit the drawer base

Slide the drawer base **13** down the grooves in the top drawer sides **7** and **8** and down into the groove in the top drawer front **5**.

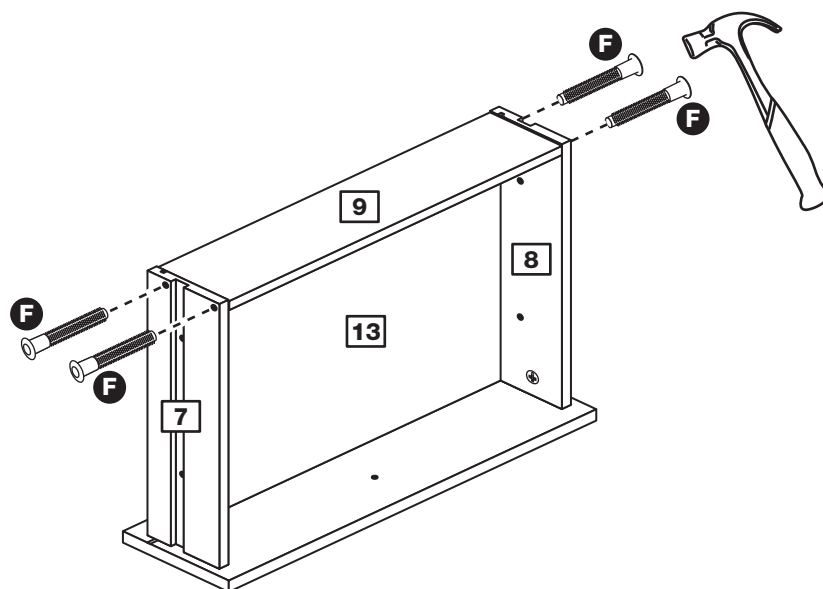


## Step 5

### Fit the top drawer back

Fit the top drawer back **9** between the top drawer sides **7** and **8**. Make sure that the drawer base **13** fits into the groove in the top drawer back **9**.

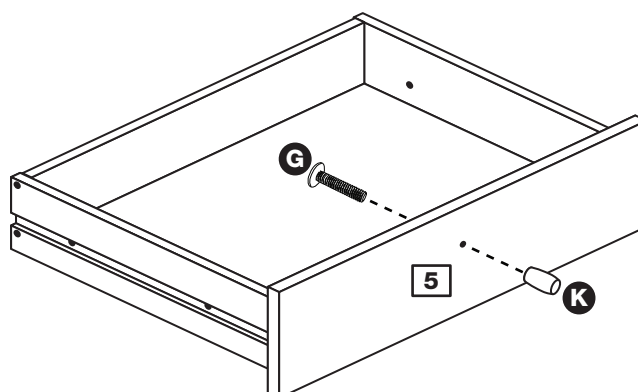
Hold the top drawer back **9** in position and tap the knock-in pegs **F** through the holes in the top drawer sides **7** and **8**.



## Step 6

### Attach the handle

Attach a handle **K** to the top drawer front **5** using screw **G**.



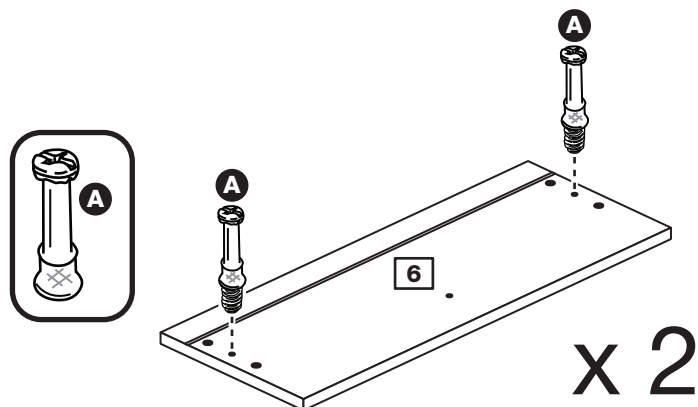
# Assembly Instructions

## Step 7

### Prepare the 2 bottom drawer fronts

Screw 2 metal dowels **A** into each of the bottom drawer fronts **6**.

**Note:** Tighten the metal dowels up fully against the panels.

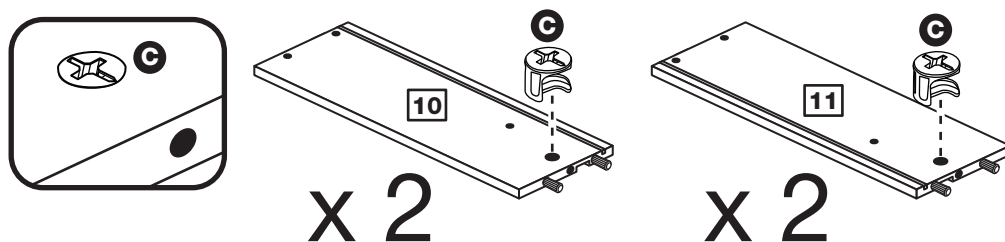


## Step 8

### Prepare the bottom drawer sides

Insert a small locking nut **C** into the hole shown on the bottom left drawer side **10** and the bottom right drawer side **11**.

**Note:** The arrow on the locking nut **must** point towards the hole in the edge of the panel.



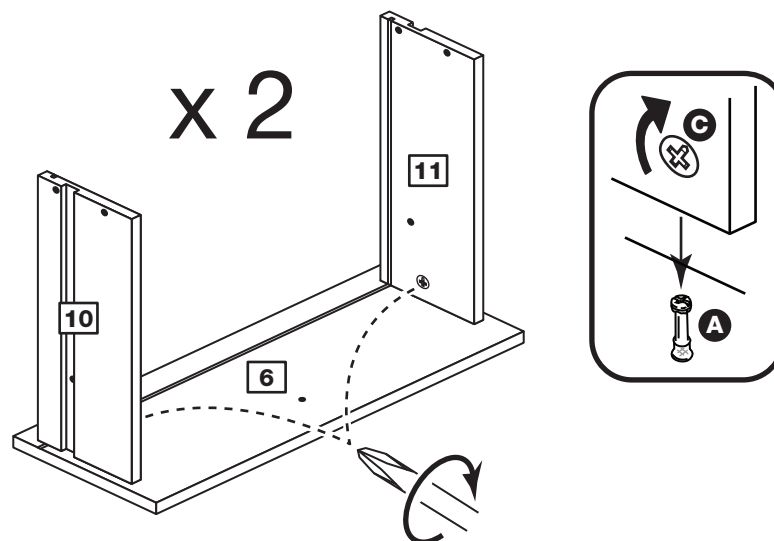
## Step 9

### Attach the bottom drawer sides to the bottom drawer fronts

Push the left drawer side **10** and right drawer side **11** onto the back of the bottom drawer front **6**.

Turn the small locking nuts **C** on the bottom left drawer side **10** and bottom right drawer side **11**.

**Note:** Turn the locking nuts **C** clockwise to secure panels - more than 1/2 a turn.

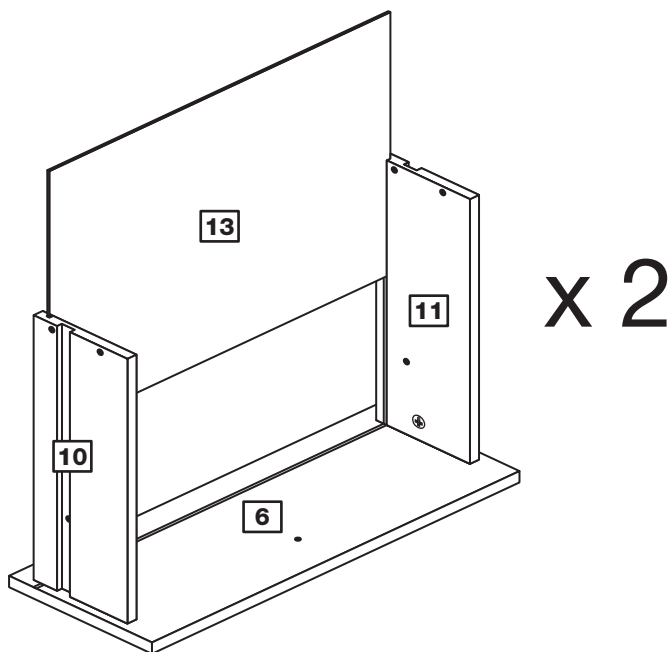


# Assembly Instructions

## Step 10

### Fit the drawer base

Slide the drawer base **13** down the grooves in the bottom drawer sides **10** and **11** and down into the groove in the bottom drawer front **6**.



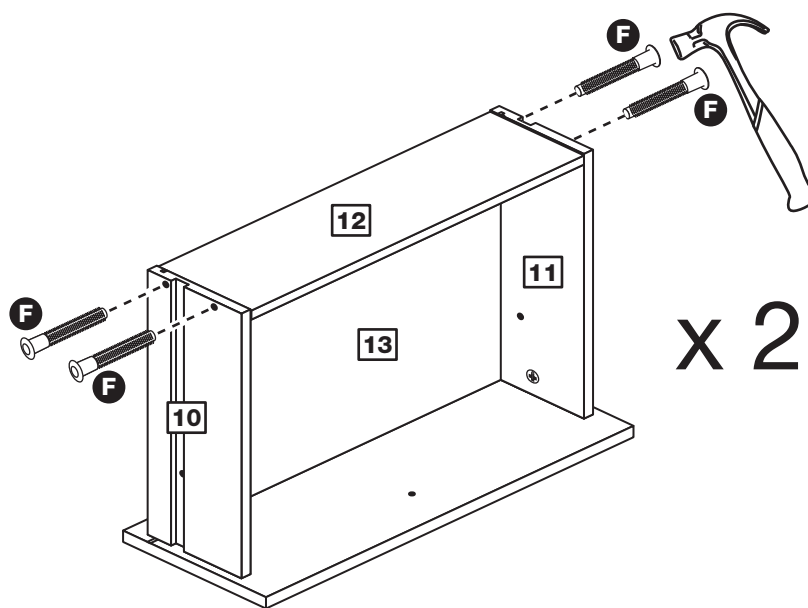
## Step 11

### Fit the bottom drawer back

Fit the bottom drawer back **12** between the bottom drawer sides **10** and **11**.

Make sure that the drawer base **13** fits into the groove in the bottom drawer back **12**.

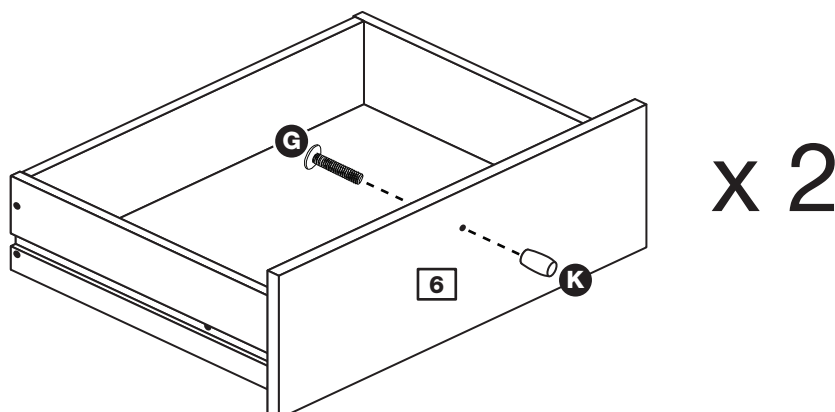
Hold the bottom drawer back **12** in position and tap the knock-in pegs **F** through the holes in the bottom drawer sides **10** and **11**.



## Step 12

### Attach the handles

Attach a handle **K** to each of the bottom drawer fronts **6** using screws **G**.



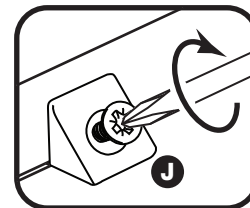
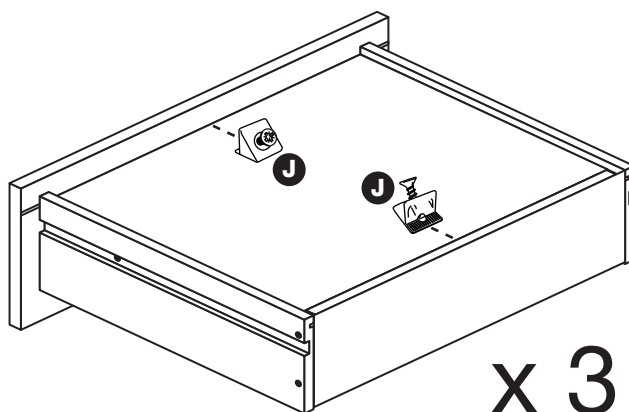


# Assembly Instructions

## Step 13

### Fit the wedgexes to each of the 3 drawers

Turn the 3 drawer assemblies over and slide 2 wedgexes **J** into the front and back grooves, as shown, and tighten up the screws.

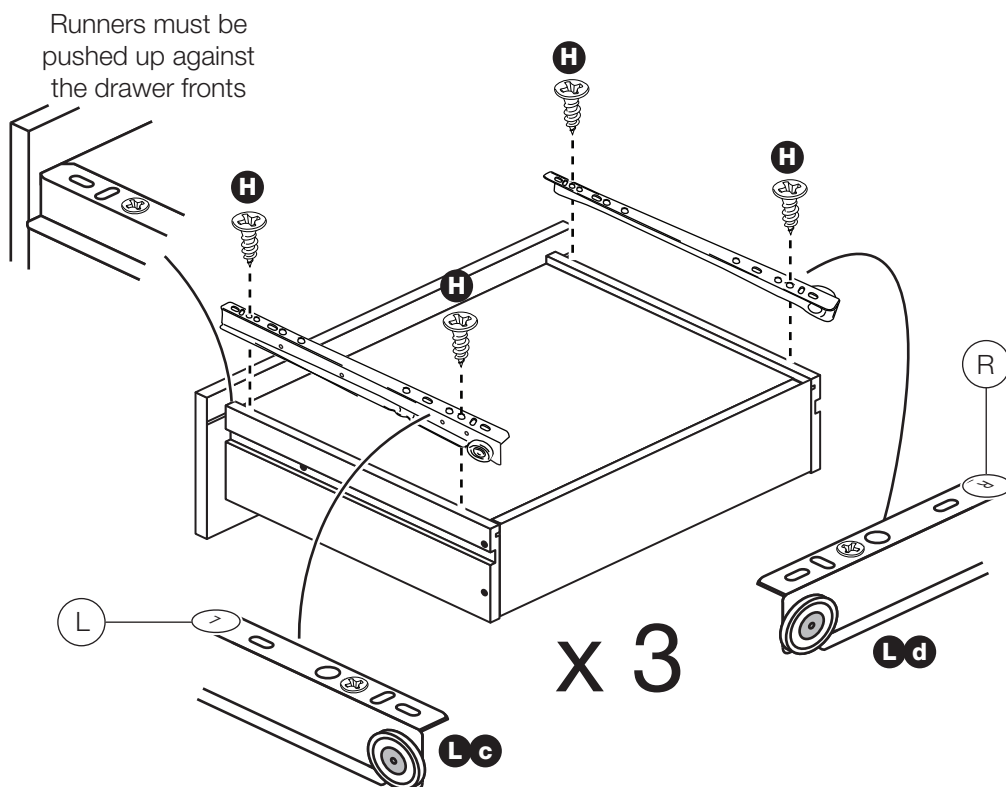


## Step 14

### Fit runners to each of the 3 drawers

Fit runner **Ld**, marked with 'R', to the bottom edge of the right drawer sides as shown, making sure that it is pushed up against the back of the drawer fronts. Use a bradawl to mark the fixing positions, then secure with 2 screws **H**.

Fit runner **Lc**, marked 'L', to the bottom edge of the left drawer side using the same method.



# Assembly Instructions

## Step 15

### Prepare the left side

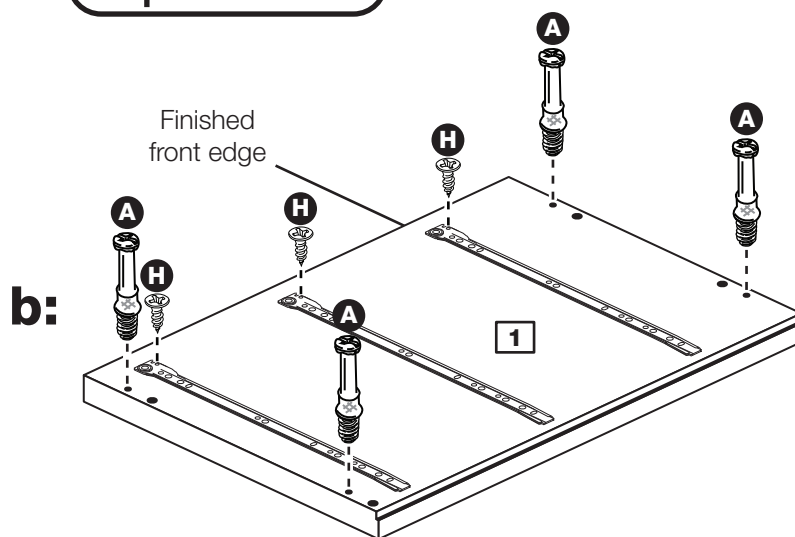
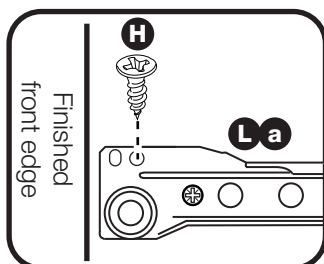
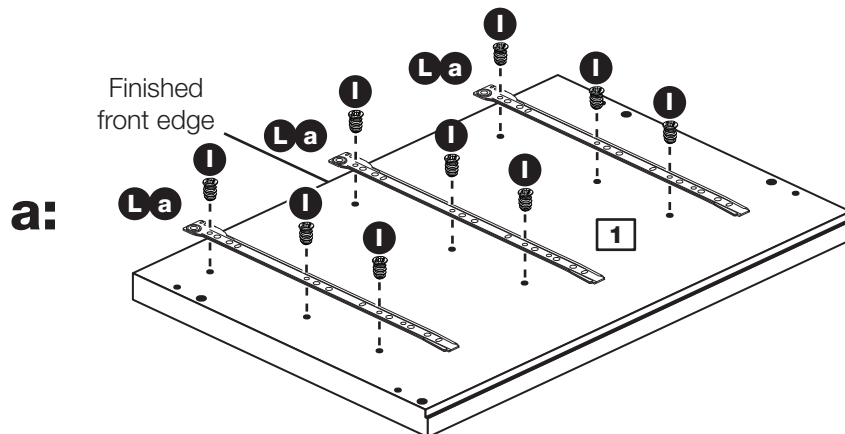
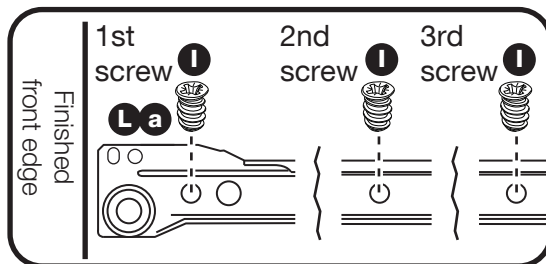
**a:** Fit 3 runners **L a** to the left side **1**.

The 1st screw **I** uses the 1st hole in from the front of the runners.

The 2nd and 3rd screws **I** use the holes that line up with the other panel holes.

**b:** Fit a screw **H** into the 2nd hole in at the top of the runners **L a**.

Screw 4 metal dowels **A** into the left side **1**.



# Assembly Instructions

## Step 16

### Prepare the right side

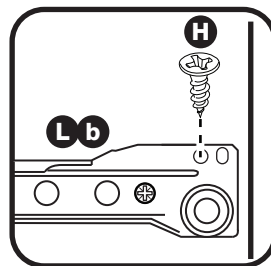
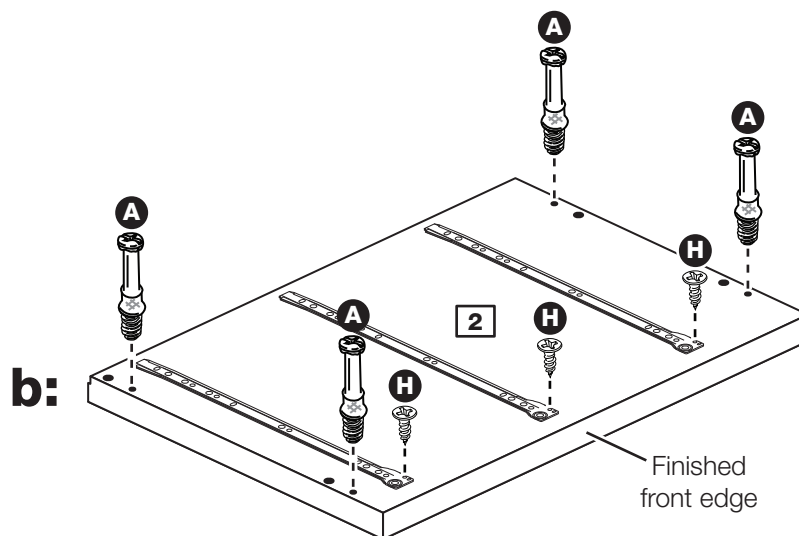
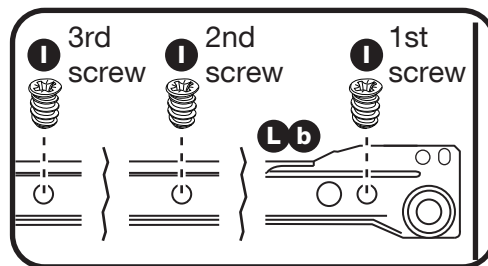
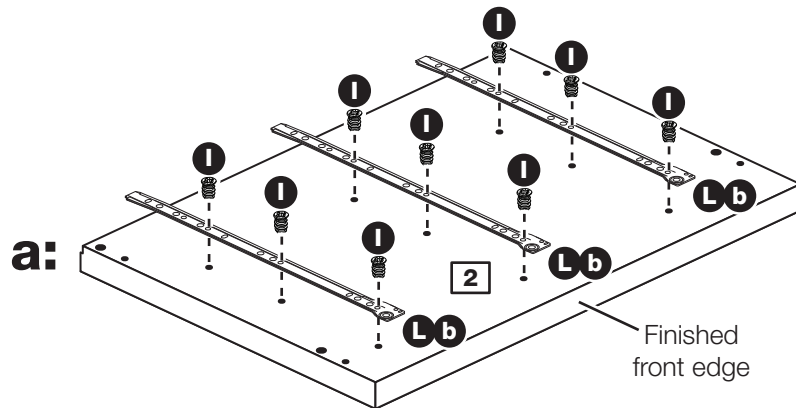
**a:** Fit 3 runners **Lb** to the right side **2**.

The 1st screw **I** uses the 1st hole in from the front of the runners.

The 2nd and 3rd screws **I** use the holes that line up with the other panel holes.

**b:** Fit a screw **H** into the 2nd hole in at the top of the runners **Lb**.

Screw 4 metal dowels **A** into the right side **2**.



# Assembly Instructions

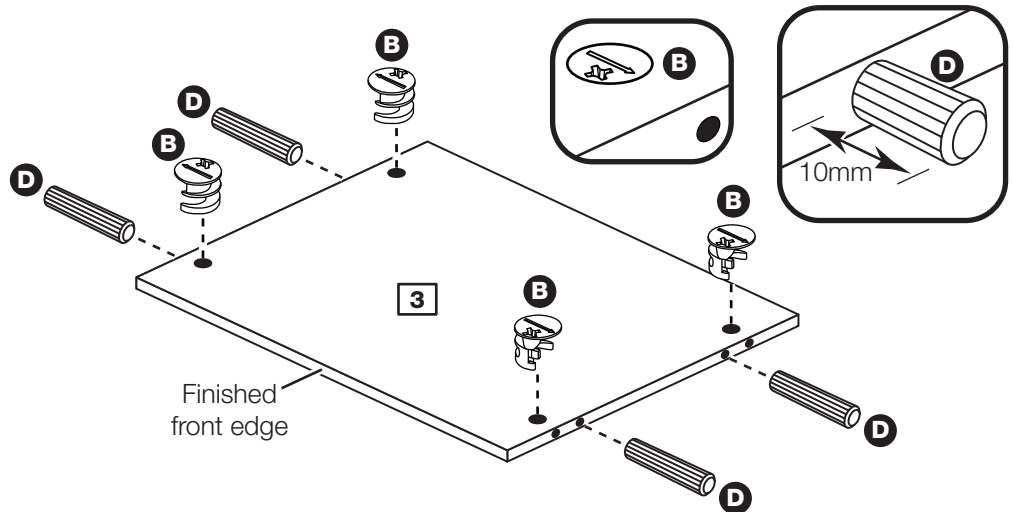
## Step 17

### Prepare the top

Insert 4 large locking nuts **B** into the top **3**.

Tap 4 wooden dowels **D** into the top **3**.

**Note:** Wooden dowels **must not** stick out from the edge by more than 10mm or they may damage other panels.



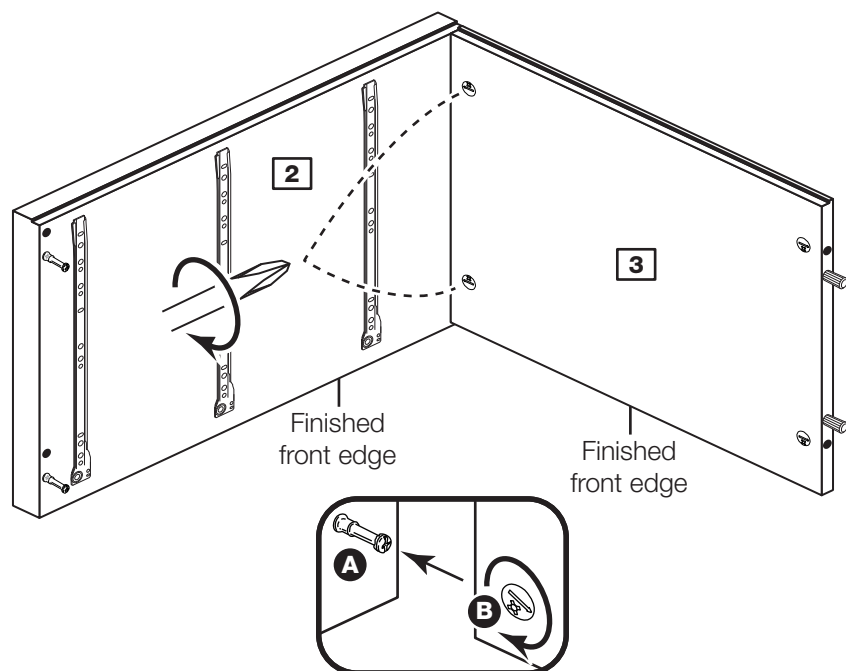
## Step 18

### Fit the top to the right side

Push the top **3** onto the right side **2**.

Use a screwdriver to tighten the 2 large locking nuts **B** fitted to the top **3**.

**Note:** Turn the large locking nuts **B** as far as they will go - more than 1/2 a turn.

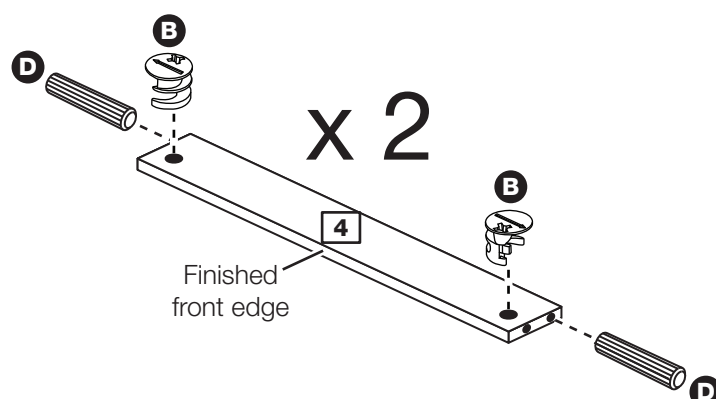


## Step 19

### Prepare the 2 rails

Insert 2 large locking nuts **B** into each of the 2 rails **4**.

Tap 2 wooden dowels **D** into each of the 2 rails **4**.



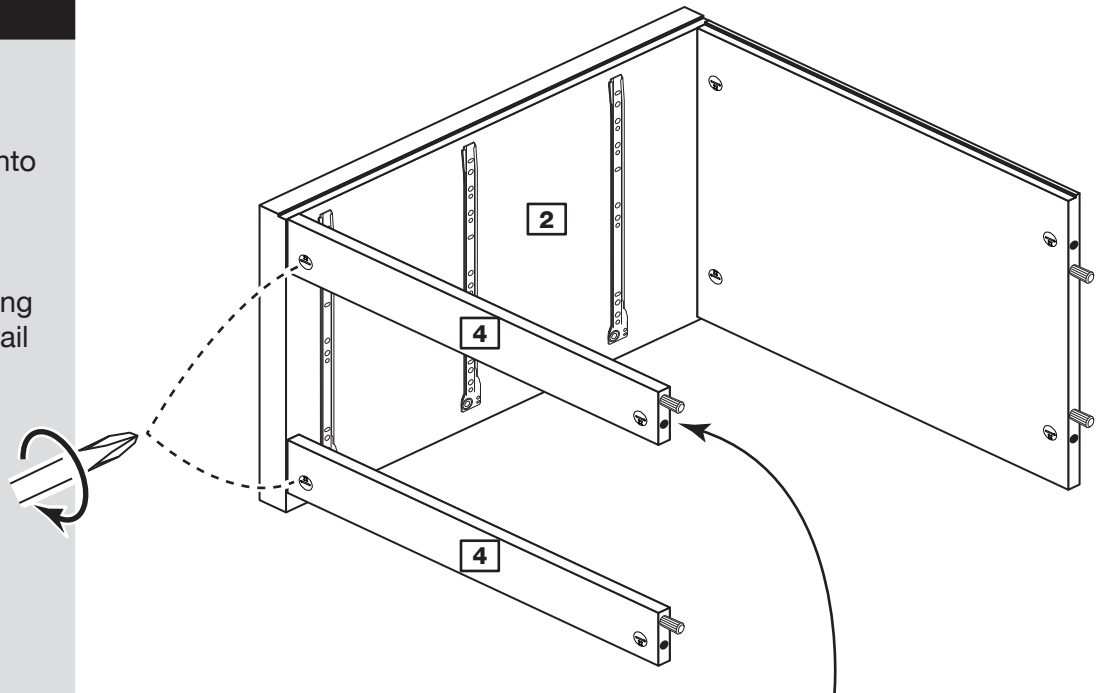
# Assembly Instructions

## Step 20

### Fit the 2 rails

Push the 2 rails **4** onto the right side **2**.

Use a screwdriver to tighten the large locking nut **B** fitted to each rail **4**.



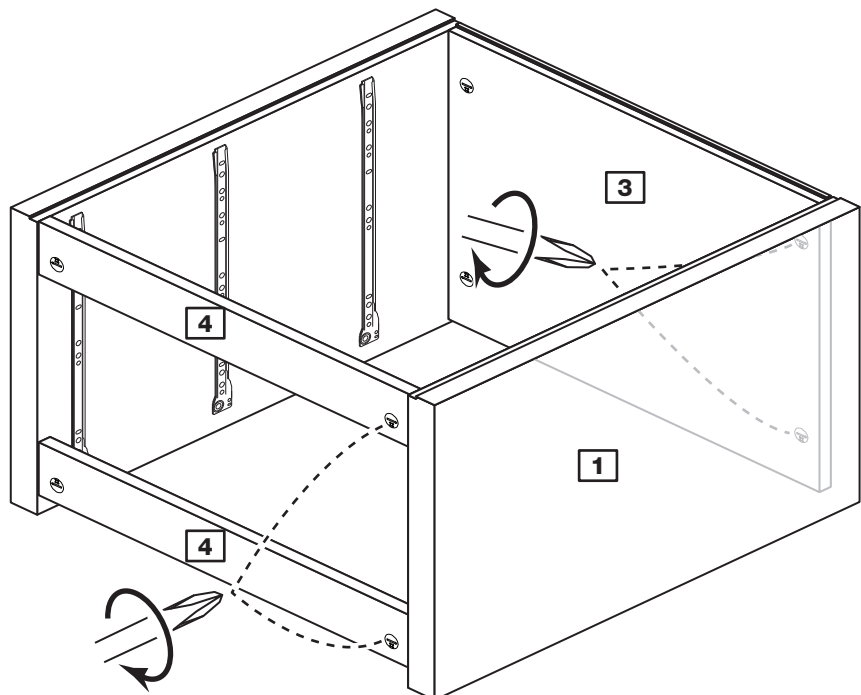
**Note:** Support this rail until the left side has been fitted in the next step.

## Step 21

### Fit the left side

Push the left side **1** onto the assembly.

Use a screwdriver to tighten the 4 large locking nuts **B** fitted to the top **3** and the 2 rails **4**.



# Assembly Instructions

## Step 22

### Fit the back

**a:** Square up the unit by making sure that measurement **x to x** equals **y to y**.

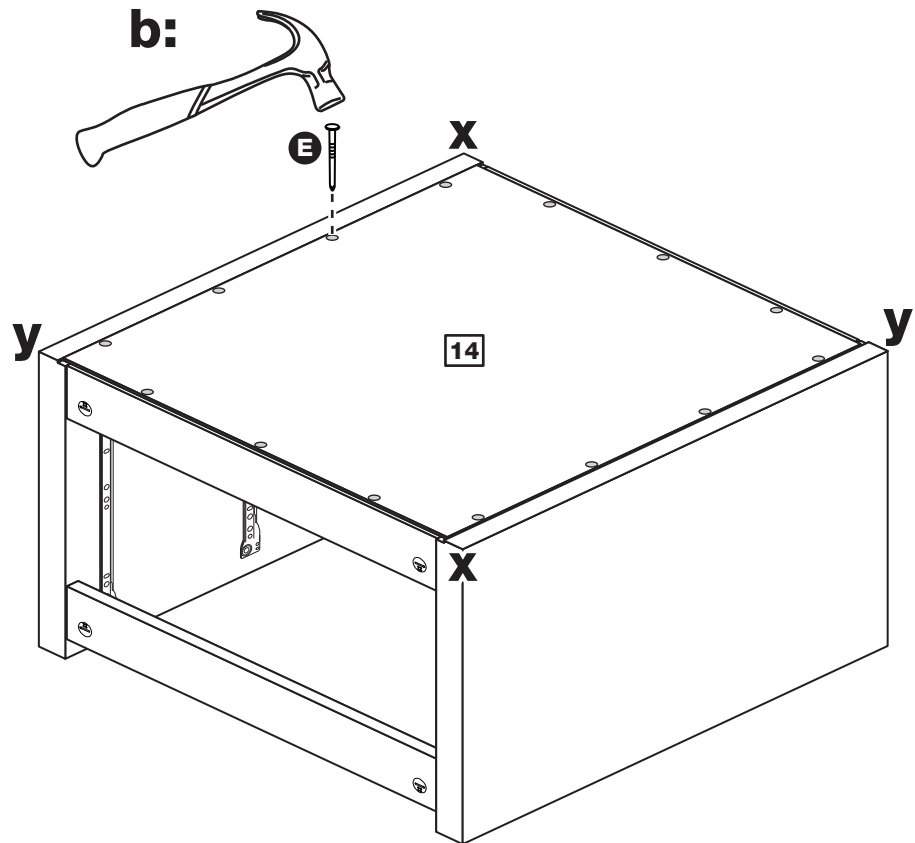
**b:** Place the back **14** onto the unit.

Nail **E** around the outside edges of the back **14**.

**Note:** Nails should be spaced about 150mm apart.

**Stand the unit up for the next step.**

**a:** The measurement from top corner X to bottom corner X must be equal to the measurement from top corner Y to bottom corner Y



# Assembly Instructions

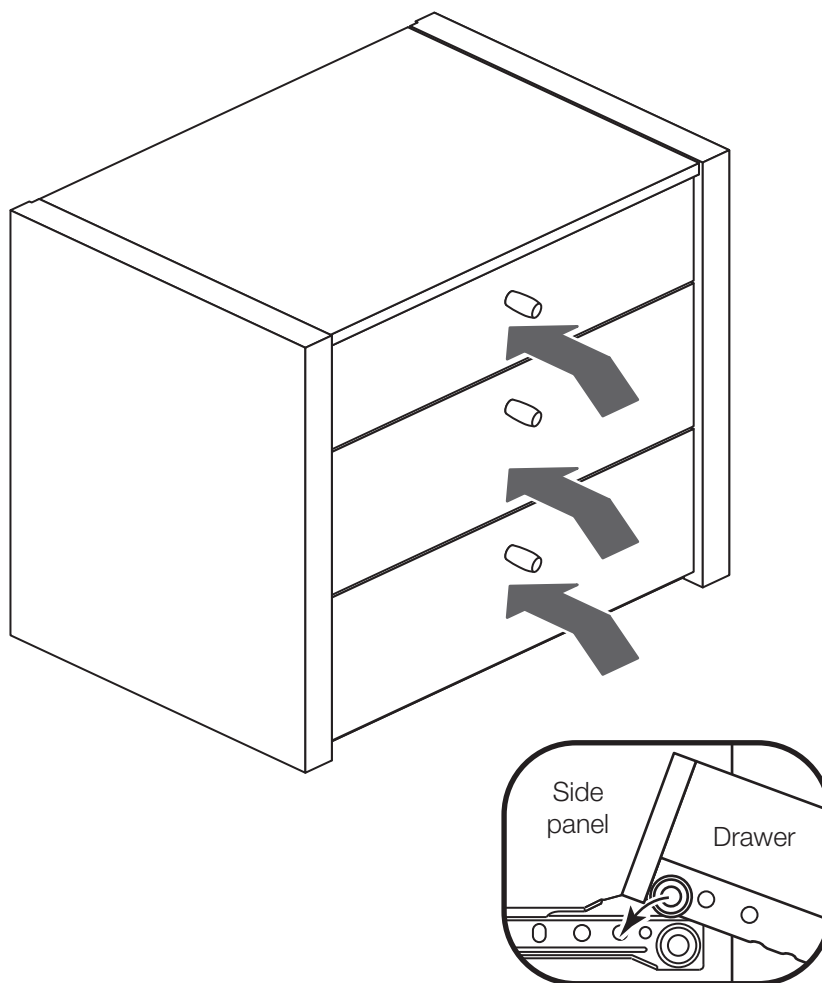
## Step 23

### Fit the drawers

Slide the wheels of the runners fitted to the drawers, over the wheels of the runners fitted to the side panels and push the drawers into position.

**Note:** Now the assembly has finished you can remove any protective film from the panels.

**Assembly is complete**



If you need help or have damaged or missing parts, please visit [www.argos-support.co.uk](http://www.argos-support.co.uk) or email: [Help@ClickSpares.co.uk](mailto:Help@ClickSpares.co.uk) (quoting your original order number)  
Alternatively, call the Spares Helpline on: 0370 112 1928.  
For any other queries please contact the Customer Helpline on: 0345 640 2020

