

New Sywell - 2 Door Sliding Robe

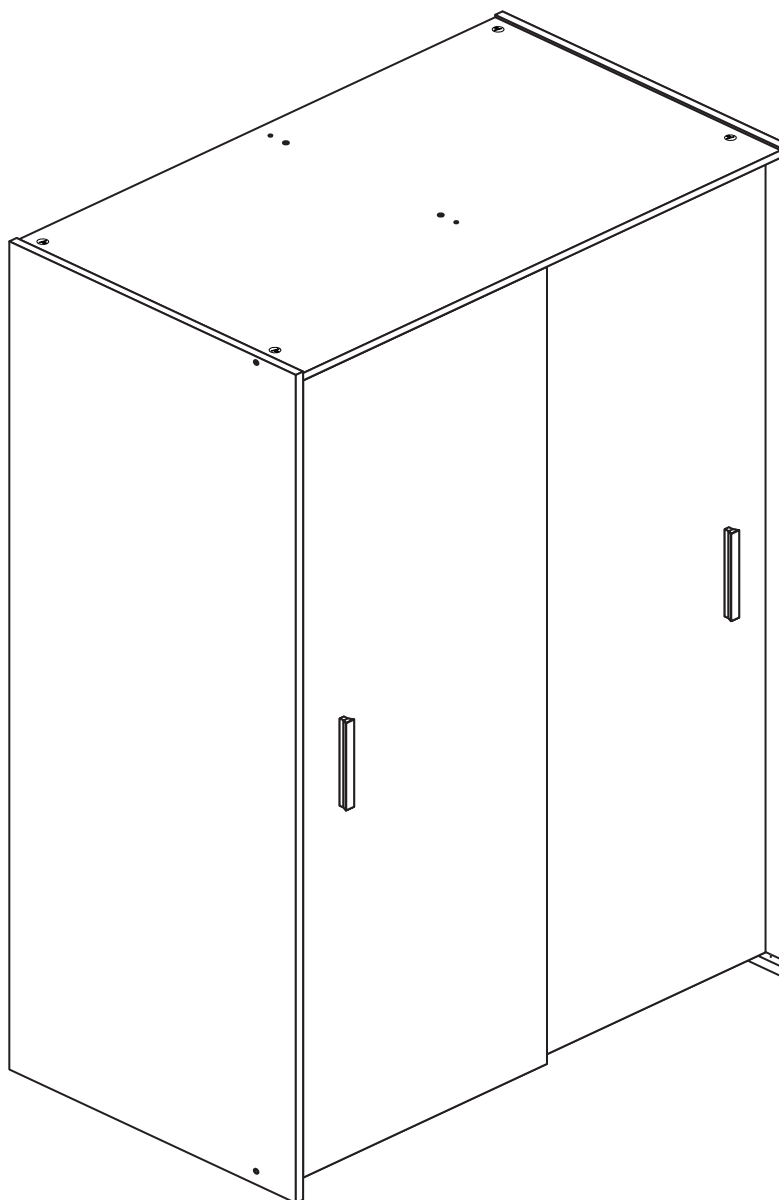
Assembly Instructions - Please keep for future reference

427/1237

427/1244

425/8700

427/1770



Dimensions

Width - 101.9cm

Depth - 59.5cm

Height - 171.1cm



**MADE IN
BRITAIN**

Important - Please read these instructions fully before starting assembly

If you need help or have damaged or missing parts, call the **Customer Helpline: 03456 400800**



Safety and Care Advice

Important - Please read these instructions fully before starting assembly

- **Warning:** This unit weighs approximately 62kgs. Please lift with care.
- Check you have all the components and tools listed on pages 1, 2 and 3.
- Remove all fittings from the plastic bags and separate them into their groups.
- Keep children and animals away from the work area, small parts could choke if swallowed.
- Parts of the assembly will be easier with 2 people.

- Make sure you have enough space to layout the parts before starting.
- Do not stand or put weight on the product, this could cause damage.
- Assemble the item as close to its final position (in the same room) as possible.
- Assemble on a soft level surface to avoid damaging the unit or your floor (use opened out unit carton).




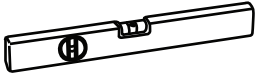

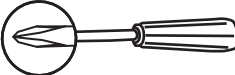

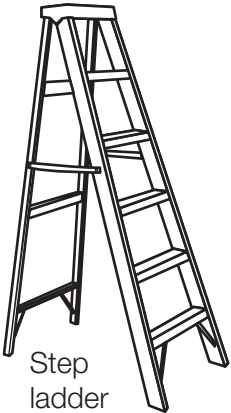



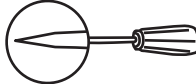
- We do not recommend the use of power drill/drivers **for inserting screws**, as this could damage the unit. Only use hand screwdrivers.

- **Safety note:** It is recommended that this unit is secured to a wall using the overbalance protector kit supplied or, an alternative fixing method of your choice.
- Dispose of all packaging carefully and responsibly.

Care and maintenance

- Only clean using a damp cloth and mild detergent, do not use bleach or abrasive cleaners.
- From time to time check that there are no loose screws on this unit.
- This product should not be discarded with household waste. Take to your local authority waste disposal centre.

Tools required

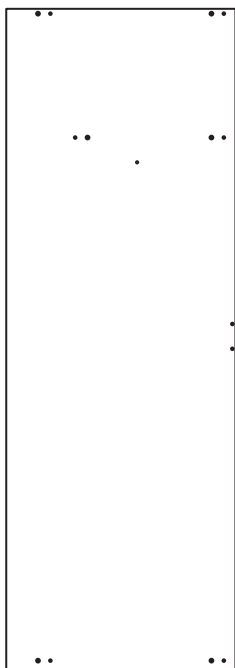
 Rule	 Spirit level	 Eye protection (when using a hammer or drill)	 Cross-head screwdriver	 Electric drill (only use when drilling into walls)	 Step ladder
 Square	 Scissors	 Hammer	 Bradawl		

Note: If required the next page can be cut out and used as reference throughout the assembly. Keep this page with these instructions for future reference.

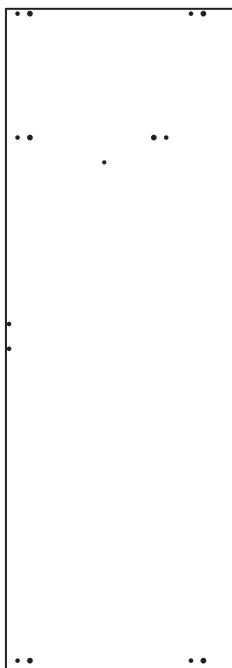
Components - Panels

If you have damaged or missing components, call the **Customer Helpline: 03456 400800** quoting the reference numbers below

Please check you have all the panels listed below



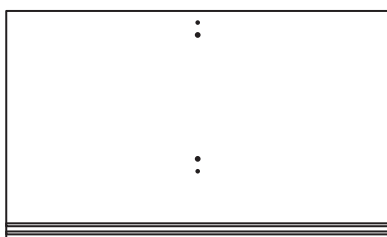
1 Left Side (DF3581)
(171.1 x 59.2cm)



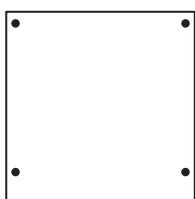
2 Right Side (DF3582)
(171.1 x 59.2cm)



3 Divider (DF3585)
(165.6 x 49.6cm)



4 Top/Base (DF3584)
(98.9 x 59cm) x 2



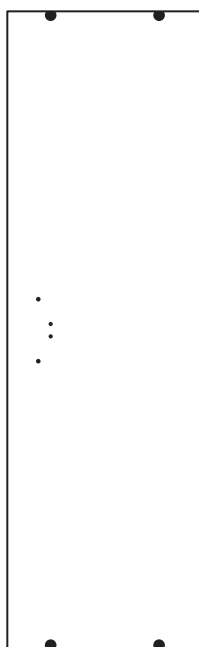
5 Shelf (DF3587)
(48.7 x 49cm) x 2



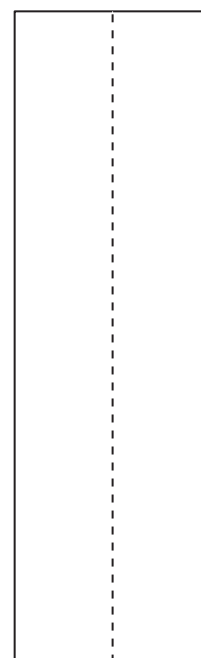
6 Rail (DF3588)
(48.7 x 12cm) x 2



7 Hanging Rail (FHR481)
(48.1cm long) x 2



8 Door (DF3583)
(164.7 x 50.4cm) x 2



9 Back (X1682-506)
(168.2 x 50.6cm) x 2

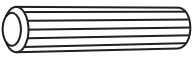
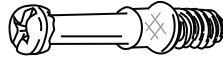








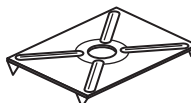
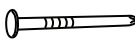
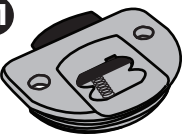
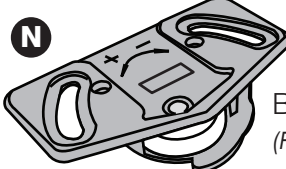
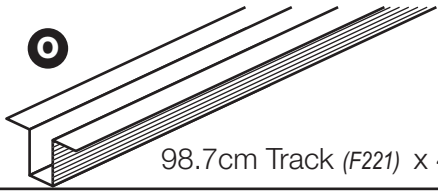

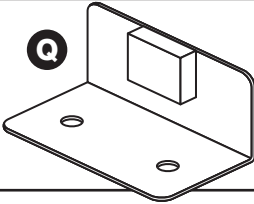

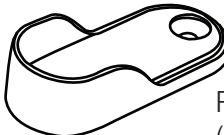
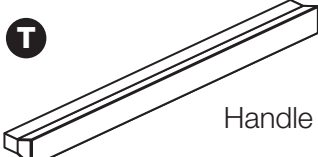

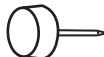
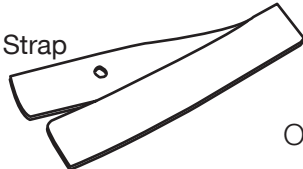




Components - Fittings

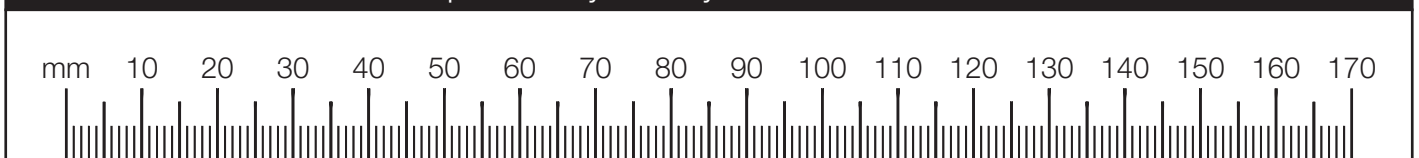
If you have damaged or missing components, call the **Customer Helpline: 03456 400800** quoting the reference numbers below

Please check you have all the fittings listed below

Note: The quantities below are the correct amount to complete the assembly. In some cases more fittings may be supplied than are required.

<p>A </p> <p>Wooden dowel (F22) x 16</p>	<p>B </p> <p>Metal dowel (F901) x 12</p>	<p>C  Large locking nut (F900) x 24</p>
<p>D </p> <p>Large wooden dowel (F40) x 2</p>	<p>E </p> <p>40mm Screw (F910) x 4</p>	<p>F </p> <p>25mm Screw (F95) x 4</p>
<p>G </p> <p>25mm Screw (F50) x 2</p>	<p>H </p> <p>13mm Screw (F63) x 18</p>	<p>I </p> <p>13mm Screw (F79) x 8</p>
<p>J </p> <p>Nail screw (F277) x 10</p>	<p>K  These can also be round</p> <p>Back holder (F276) x 10</p>	<p>L </p> <p>Nail (F51) x 36</p>
<p>M  Top glide (F956) x 4</p>	<p>N  Bottom glide (F952) x 4</p>	<p>O  98.7cm Track (F221) x 4</p>
<p>P </p> <p>Mushroom Head Pin (F260) x 4</p>	<p>Q  Buffer bracket (F261) x 1</p>	<p>R </p> <p>Double metal dowel (F566) x 4</p>
<p>S  Rail Holder (F891) x 4</p>	<p>T  Handle (F315) x 2</p>	<p>U  Feet (F854) x 2</p>
<p>V </p> <p>Plastic Nail (F91) x 4</p>	<p>W  Strap  Screw  Washer x 2</p> <p>Overbalance protector kit (F269) x 1</p>	

Ruler - Use this ruler to help correctly identify the screws



Assembly Instructions

If you have damaged or missing components, call the
Customer Helpline: 03456 400800 quoting the reference
numbers below

Step 1

Prepare the top and base

Place 2 plastic tracks **⓪** down onto each of the top **4** and base **4** panels, making sure that they are flush with the edges of the panel.

Gently tap along the length of the plastic tracks **⓪** until they are fitted flat to the surface of the panel.

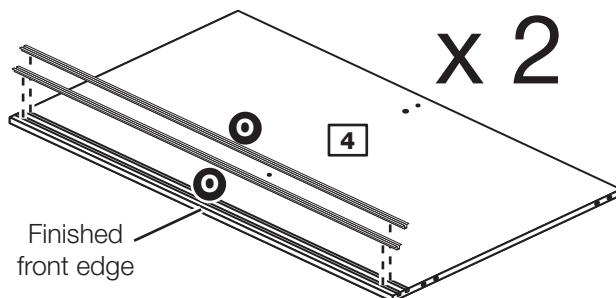
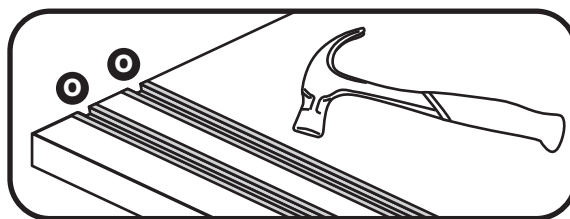
Turn the top and the base panels over

Tap 4 wooden dowels **Ⓐ** into each of the top **4** and base **4** panels.

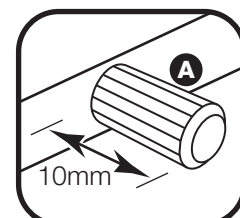
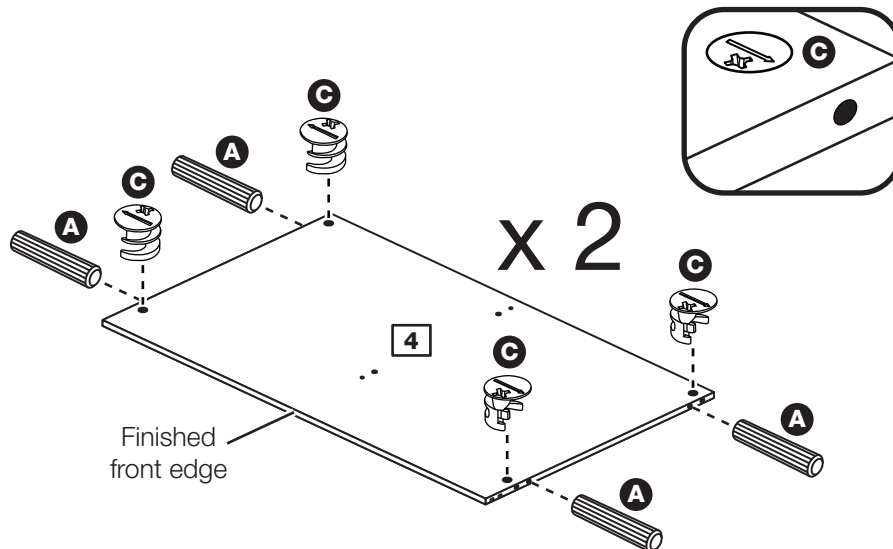
Note: Wooden dowels **must not** stick out from the edge by more than 10mm or they may damage other panels.

Insert 4 large locking nuts **Ⓒ** into each of the top **4** and base **4** panels.

Note: The arrow on the locking nut **must** point towards the hole in the edge of the panel.



Turn the top and the base over



Assembly Instructions

Step 2

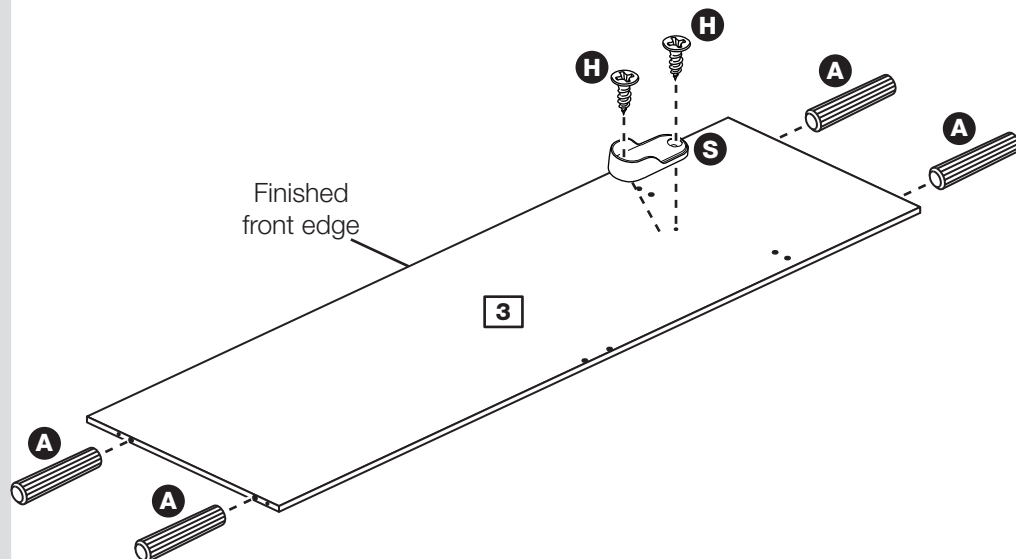
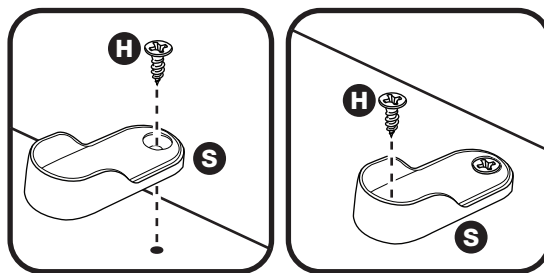
Prepare the divider

Tap 4 wooden dowels **A** into the divider **3**.

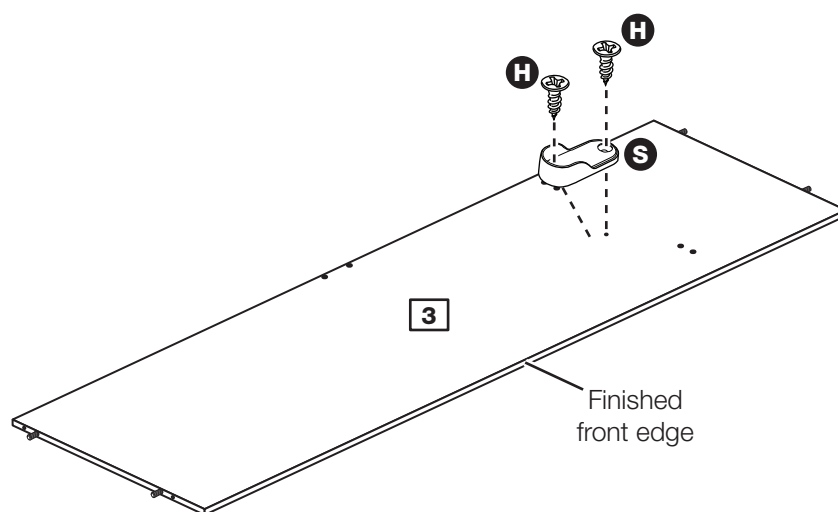
Fit a rail holder **S** by screwing through the top hole with screw **H** and into the mark hole drilled in the divider **3**. Make sure that it is fitted straight, in line with the panel edges and then fit another screw **H** using the lower hole.

Turn the divider over

Fit another rail holder **S** by screwing through the top hole with screw **H** and into the mark hole drilled in the divider **3**. Make sure that it is fitted straight, in line with the panel edges and then fit another screw **H** using the lower hole.



Turn the divider over

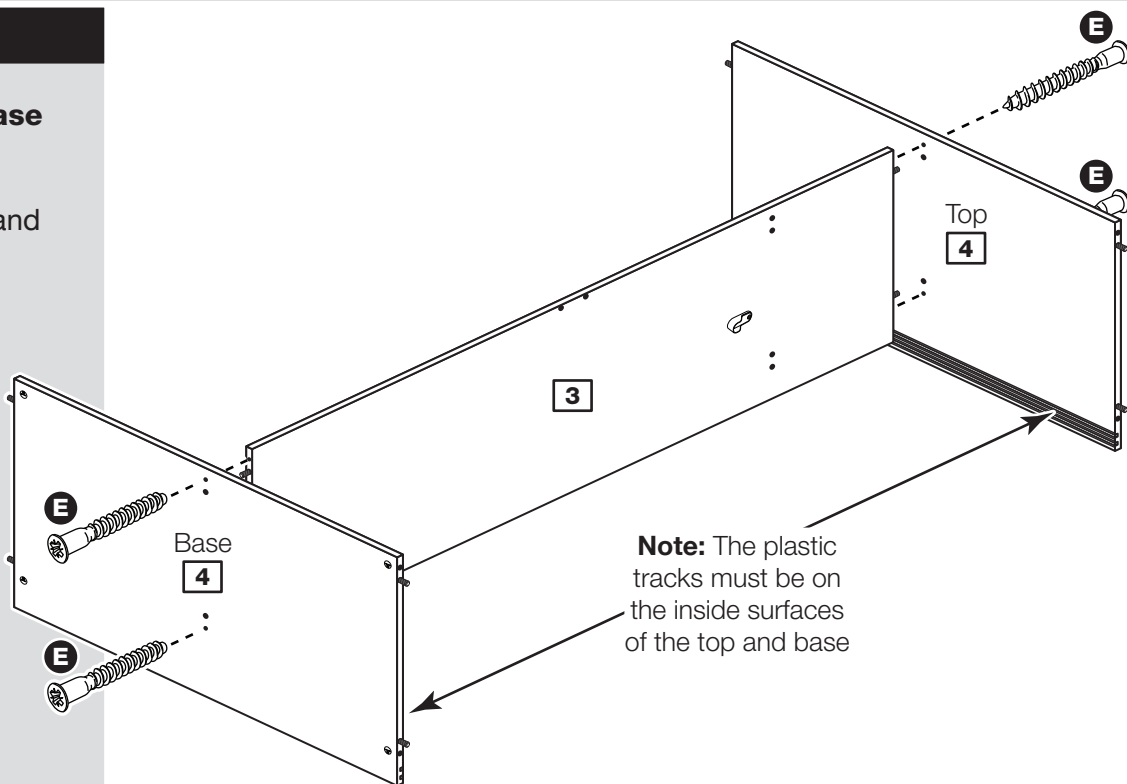


Assembly Instructions

Step 3

Fit the top and base to the divider

Attach the top **4** and the base **4** to the divider **3** using 4 screws **E**.

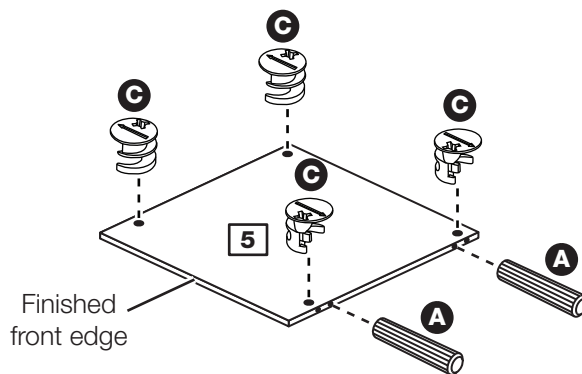


Step 4

Prepare 1 of the shelves

Tap 2 wooden dowels **A** into the shelf **5**.

Insert 4 large locking nuts **C** into the shelf **5**.



Assembly Instructions

Step 5

Fit the shelf

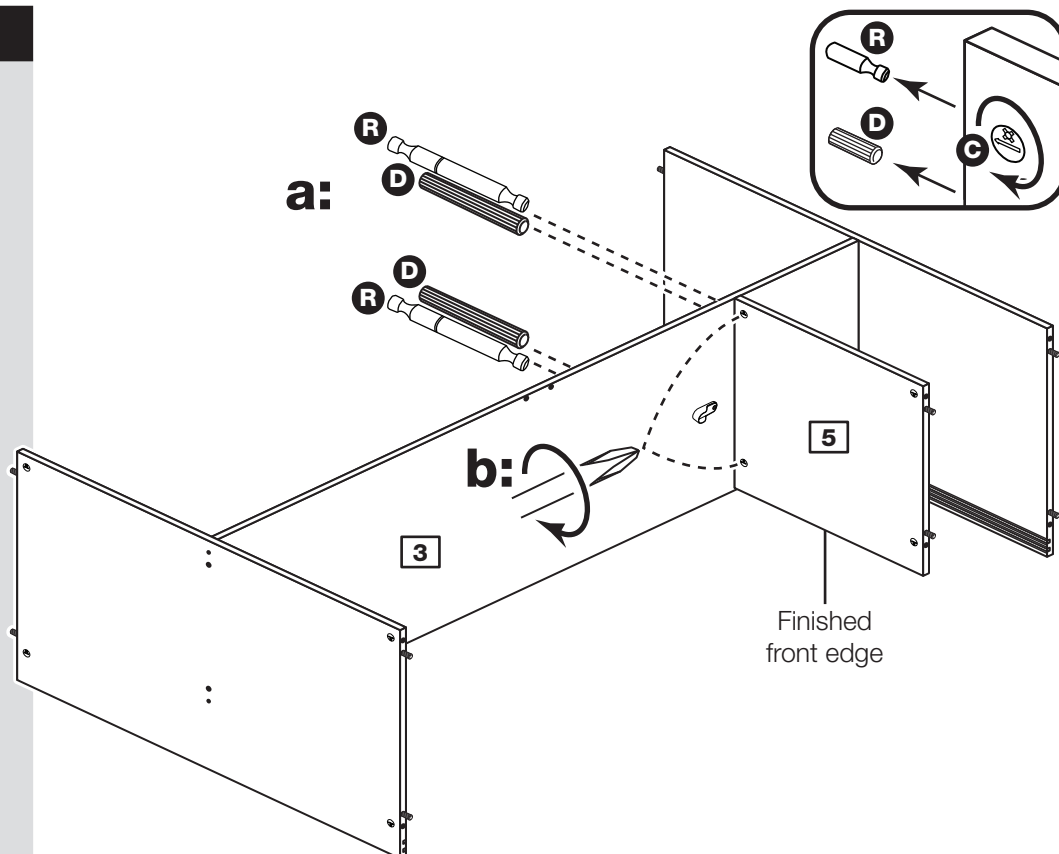
a: Push the shelf **5** onto the divider **3**.

Tap 2 double metal dowels **R** through the divider **3** and into the shelf **5** until they "bottom out".

Tap 2 large wooden dowels **D** through the divider **3** and into the shelf **5** until they "bottom out".

b: Use a screwdriver to tighten the 2 large locking nuts **C** fitted to the shelf **5**.

Note: Turn the large locking nuts **C** as far as they will go - more than 1/2 a turn.



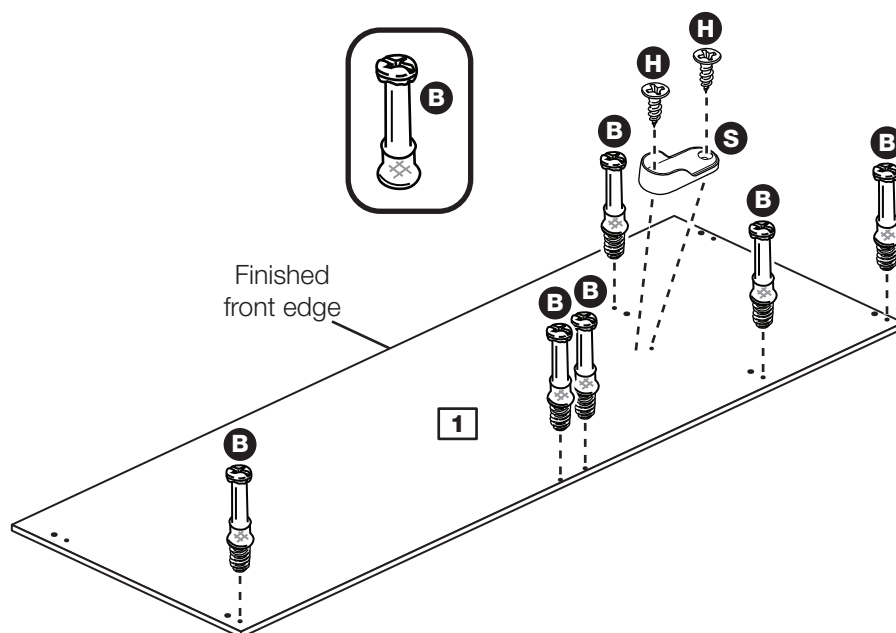
Step 6

Prepare the left side

Screw 6 metal dowels **B** into the left side **1**.

Note: Tighten the metal dowels up fully against the panels.

Fit a rail holder **S** by screwing through the top hole with screw **H** and into the mark hole drilled in the left side **1**. Make sure that it is fitted straight, in line with the panel edges and then fit another screw **H** using the lower hole.

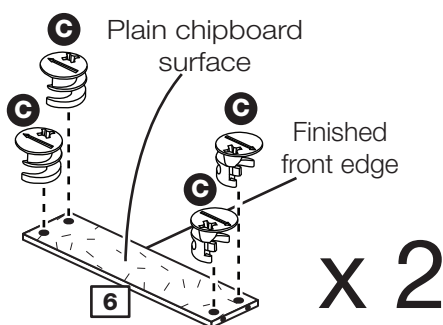


Assembly Instructions

Step 7

Prepare the 2 rails

Insert 4 large locking nuts **C** into each of the 2 rails **6**.



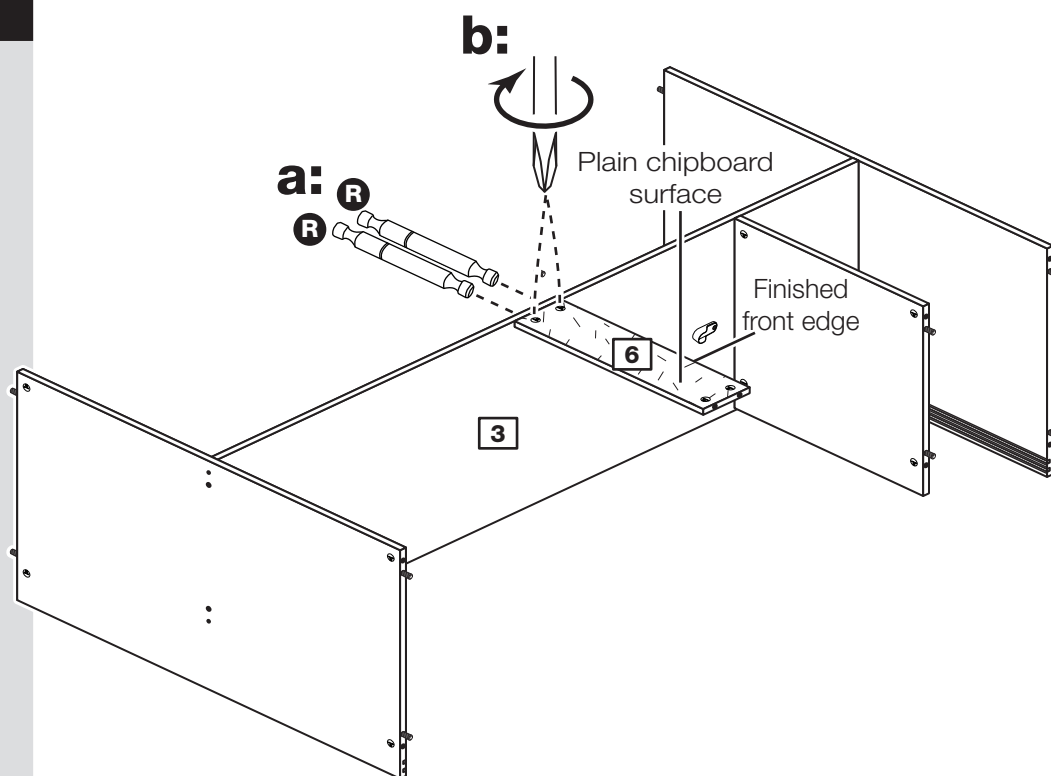
Step 8

Fit a rail

a: Tap 2 double metal dowels **R** through the divider **3** and into a rail **6** until they “bottom out”.

b: Use a screwdriver to tighten the 2 large locking nuts **C** fitted to the rail **6**.

Note: Support the rail until the left side has been fitted in the next step.



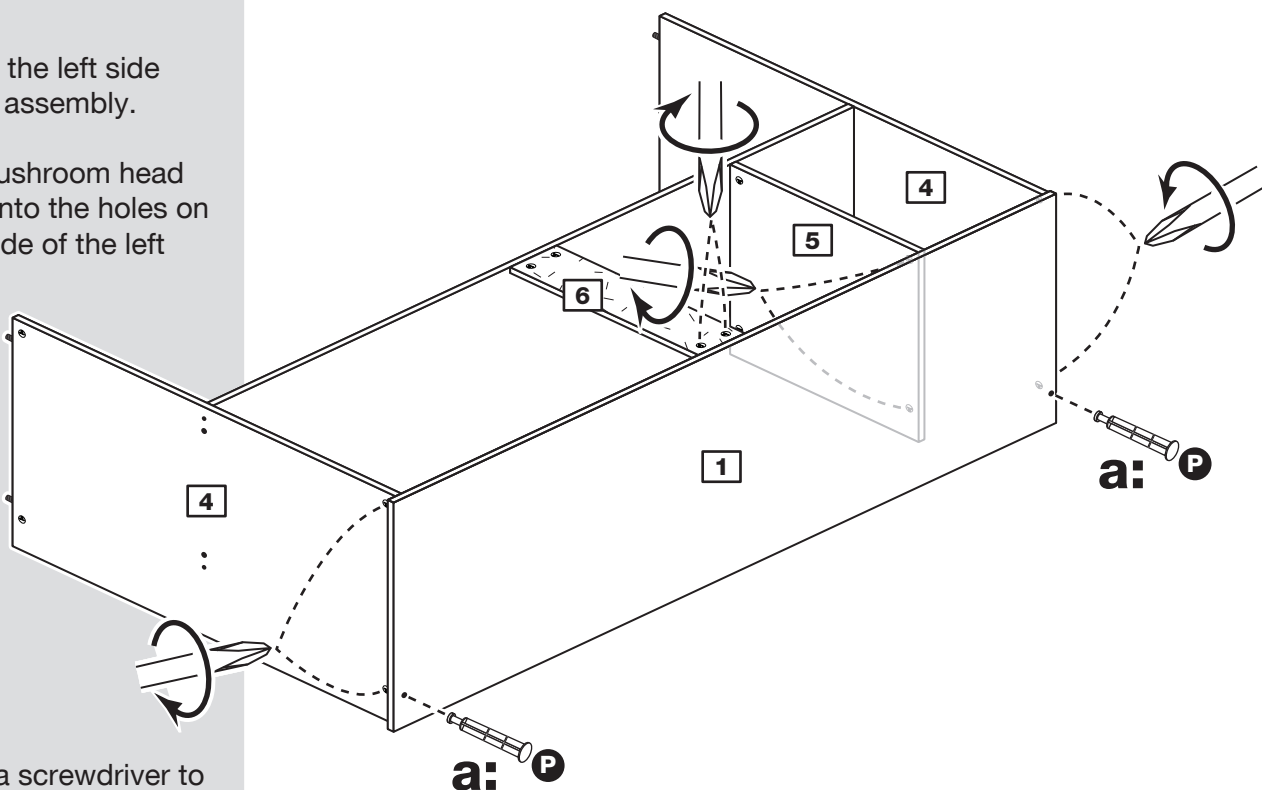
Assembly Instructions

Step 9

Fit the left side

a: Push the left side onto the assembly.

Tap 2 mushroom head pins **P** into the holes on the outside of the left side **1**.



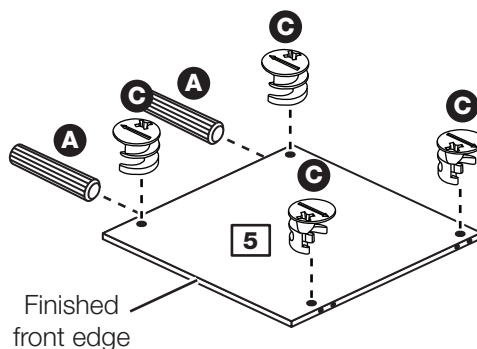
b: Use a screwdriver to tighten the 8 large locking nuts **C** fitted to the top **4**, base **4**, shelf **5** and rail **6**.

Step 10

Prepare the other shelf

Tap 2 wooden dowels **A** into the shelf **5**.

Insert 4 large locking nuts **C** into the shelf **5**.



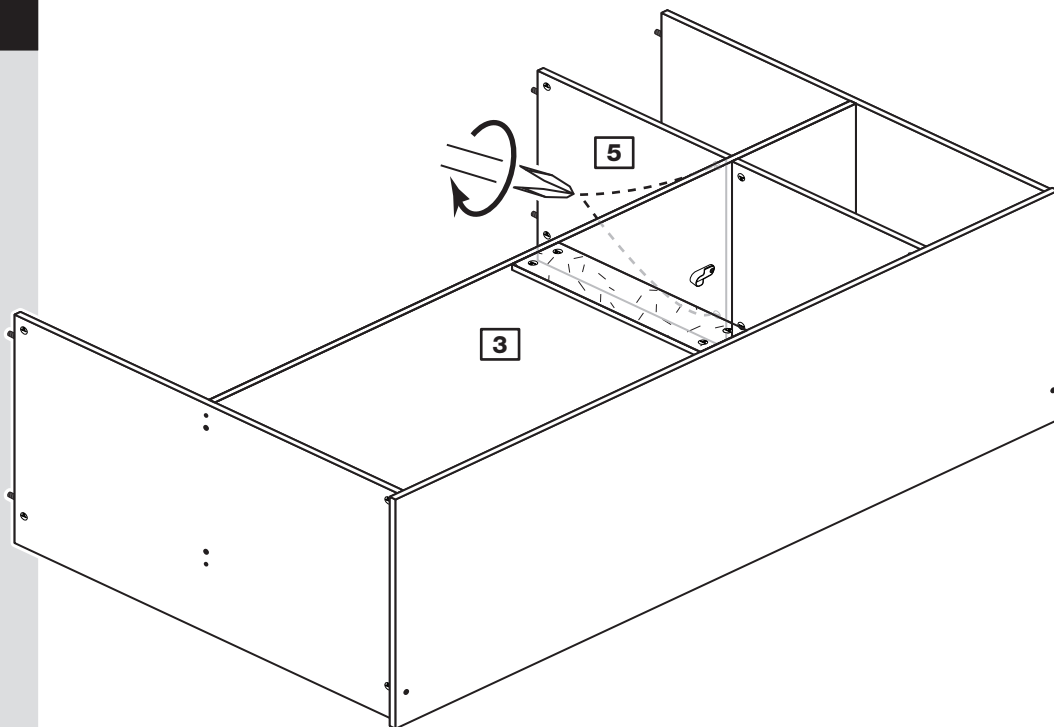
Assembly Instructions

Step 11

Fit the other shelf

Push the shelf **5** onto the divider **3**.

Use a screwdriver to tighten the 2 large locking nuts **C** fitted to the shelf **5**.



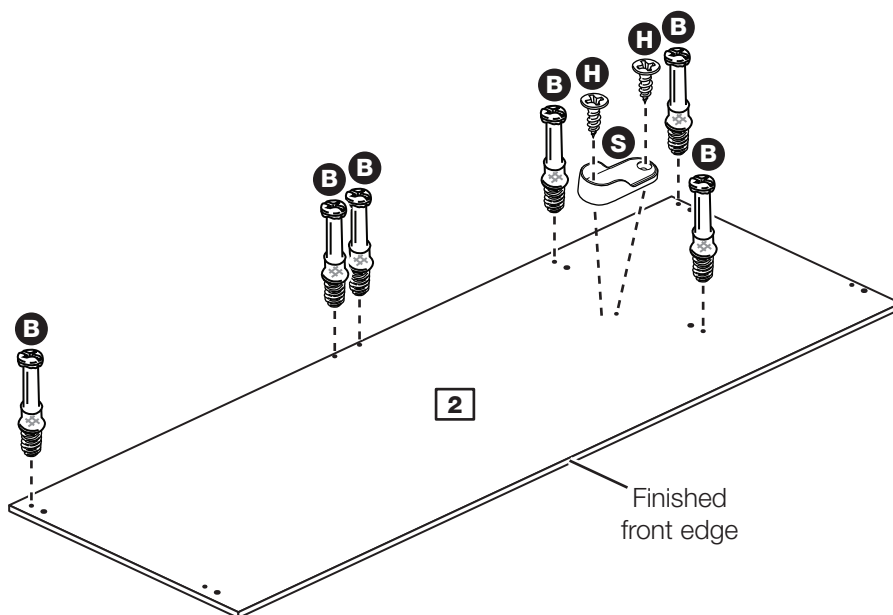
Step 12

Prepare the right side

Screw 6 metal dowels **B** into the right side **2**.

Note: Tighten the metal dowels up fully against the panels.

Fit a rail holder **S** by screwing through the top hole with screw **H** and into the mark hole drilled in the right side **2**. Make sure that it is fitted straight, in line with the panel edges and then fit another screw **H** using the lower hole.



Assembly Instructions

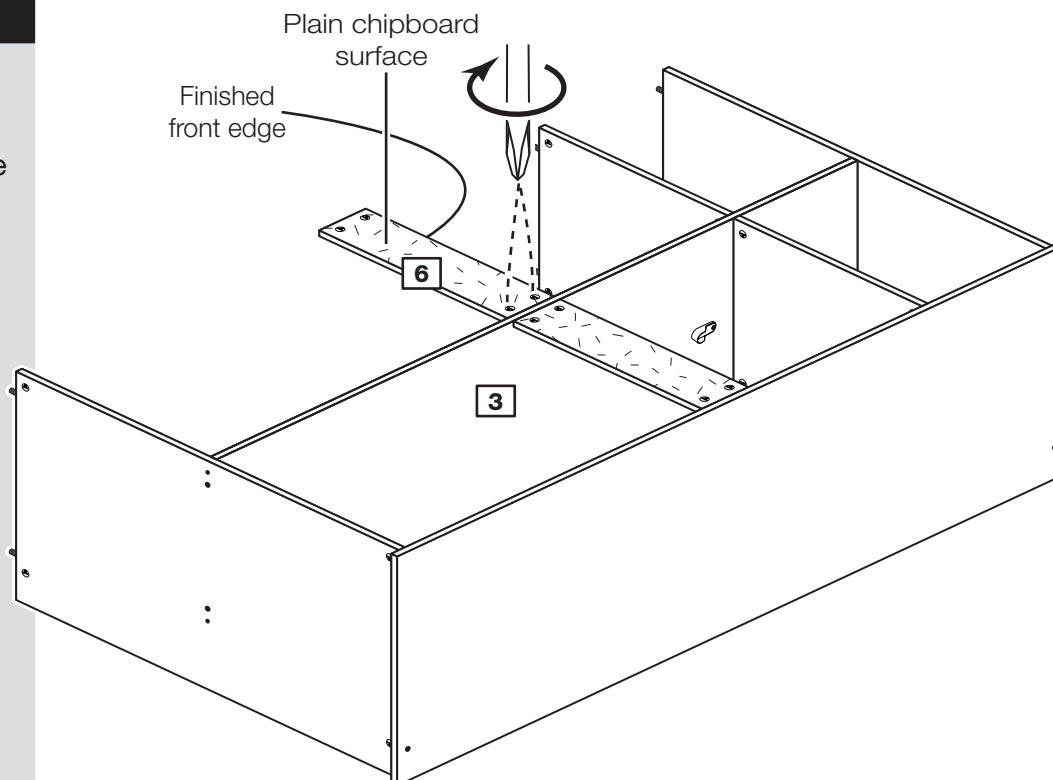
Step 13

Fit the other rail

Push the rail **6** onto the divider **3**.

Use a screwdriver to tighten the 2 large locking nuts **C** fitted to the rail **6**.

Note: Support the rail until the right side has been fitted in the next step.



Step 14

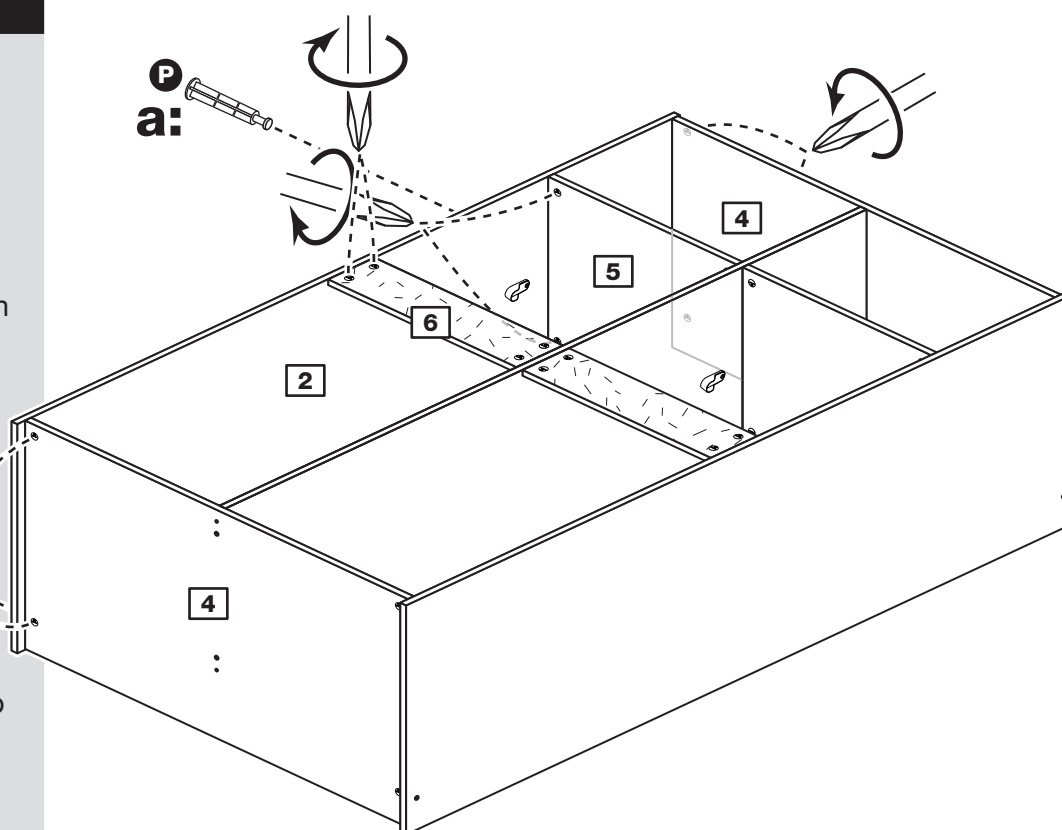
Fit the right side

a: Push the right side onto the assembly.

Tap 2 mushroom head pins **P** into the holes on the outside of the right side **2**.



b: Use a screwdriver to tighten the 8 large locking nuts **C** fitted to the top **4**, base **4**, shelf **5** and rail **6**.



Assembly Instructions

Step 15

Fit back panels

a: Square up the unit by making sure that measurement **x:x equals y:y**.

Place the 2 backs **9** onto the unit, as shown.

Make sure that the 2 backs are pushed up tight against each other and that they meet in the centre of the divider's back edge.

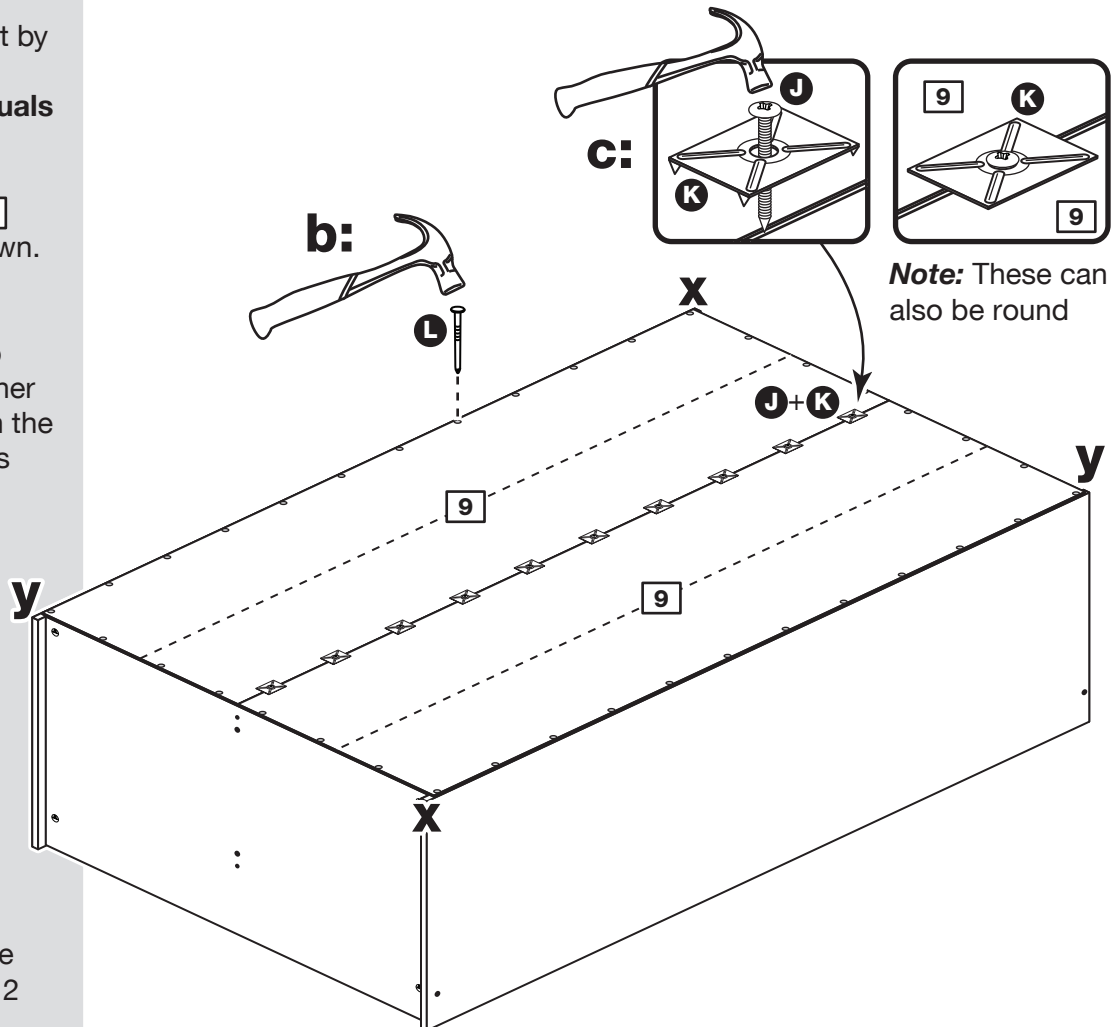
b: Nail **L** around the outside edges of the 2 backs.

Note: Do not nail where the 2 backs meet.

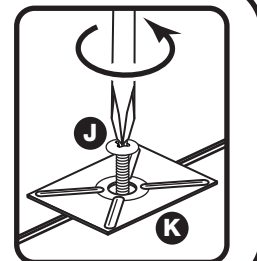
c: Push the nail screws **J** through the back holders **K** and tap them down between the 2 backs **9** and into the back edge of the divider **3**.

Keep tapping the nail screws **J** in until the back holders **K** dig into the 2 backs.

a: The measurement from top corner X to bottom corner X must be equal to the measurement from top corner Y to bottom corner Y



Note: If ever you need to take the backs off to dismantle the unit, the nail screws can be taken out using a screwdriver.

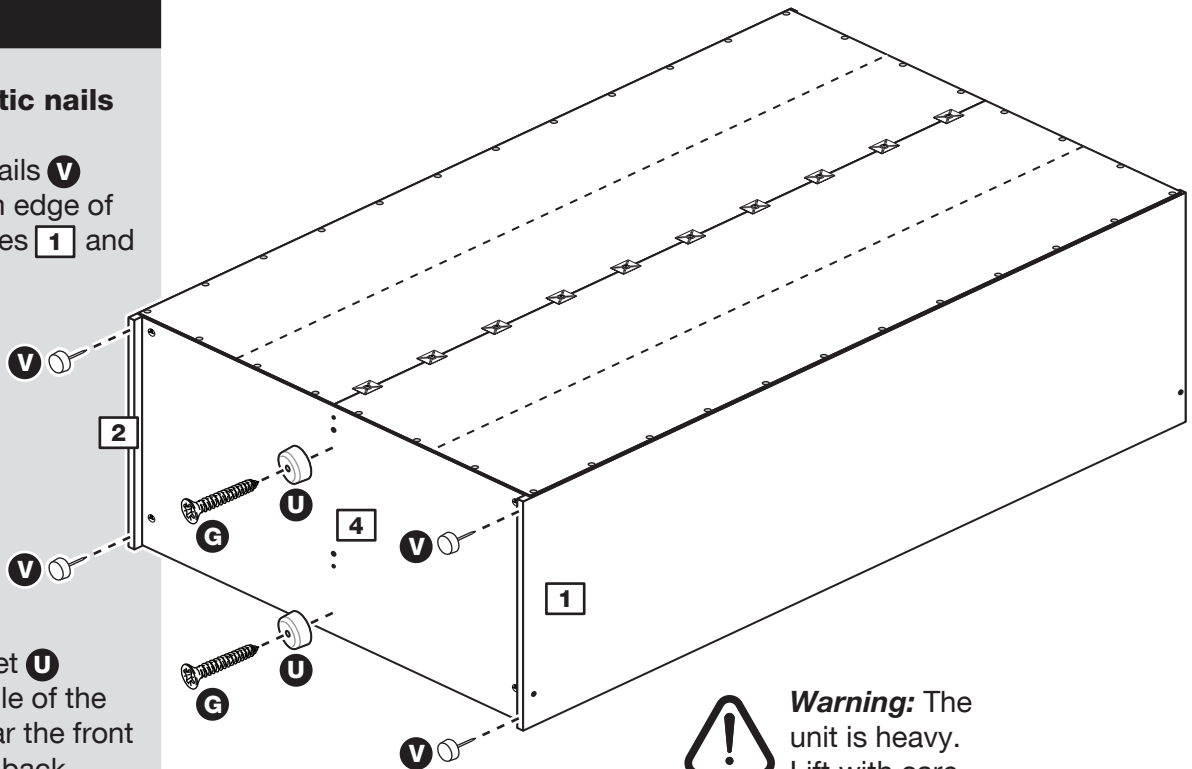


Assembly Instructions

Step 16

Fit the 4 plastic nails

Tap 2 plastic nails **V** into the bottom edge of each of the sides **1** and **2**.



Screw the 2 feet **U** down the middle of the base **4**, 1 near the front and 1 near the back, using screws **G**.

Carefully stand the unit up for the next step.

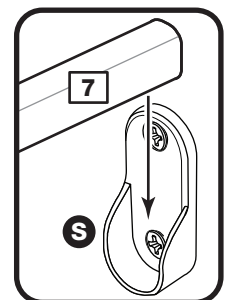
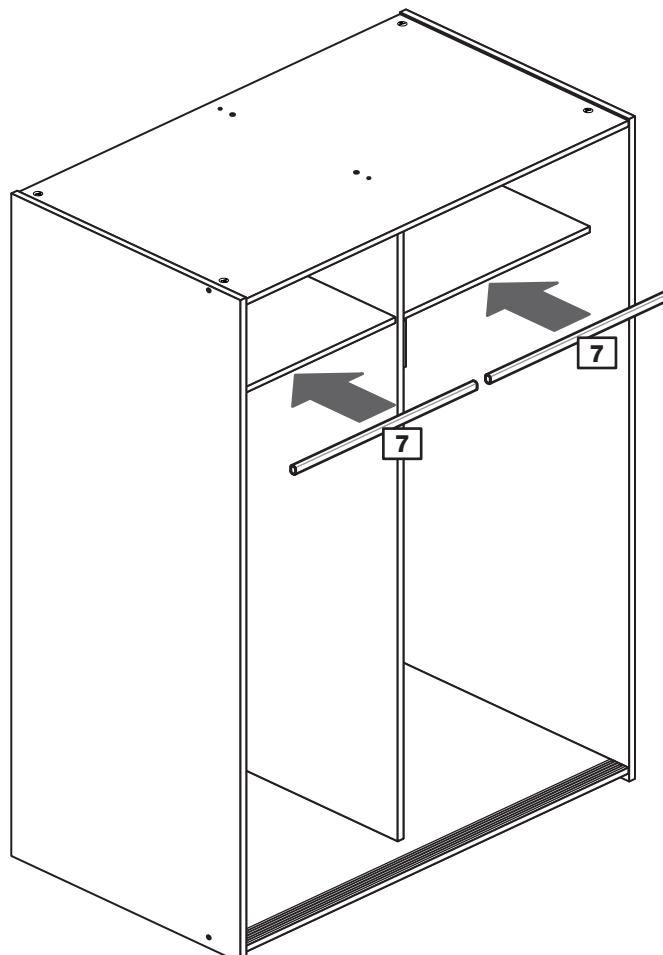


Warning: The unit is heavy. Lift with care.

Step 17

Fit the 2 hanging rails

Push the hanging rails **7** into the rail holders **S**.



Assembly Instructions

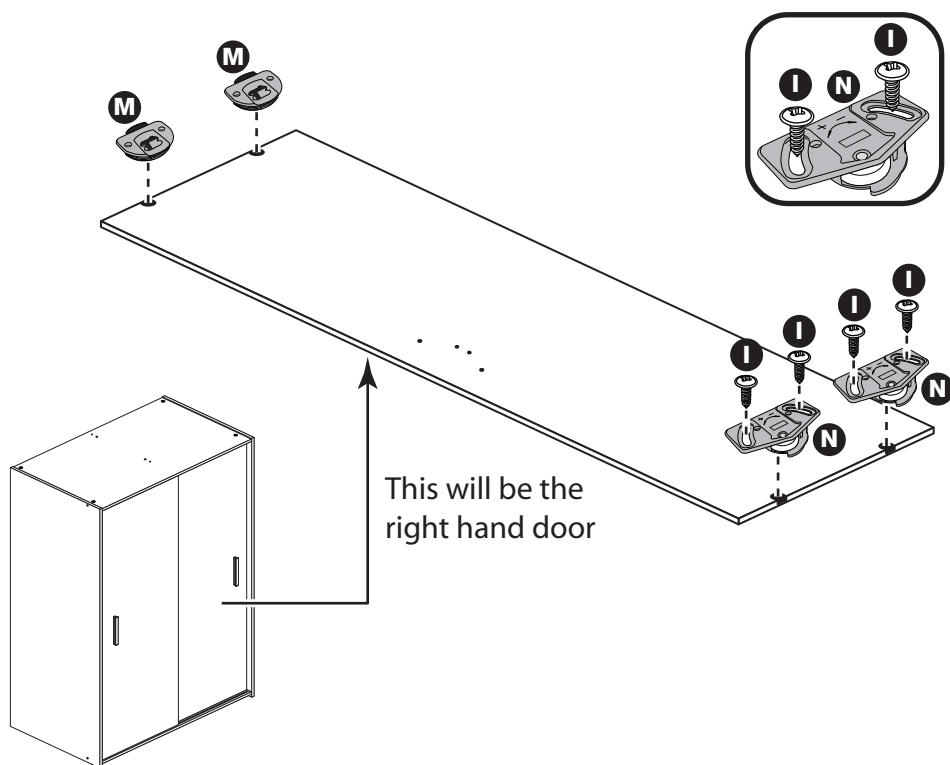
Step 18

Prepare the right hand door

Important: Check that the holes are in the same place as the diagram.

Push 2 top glides **M** into 1 of the doors **8**.

Push 2 bottom glides **N** into the same door **8** and secure each one with 2 screws **I**.



Step 19

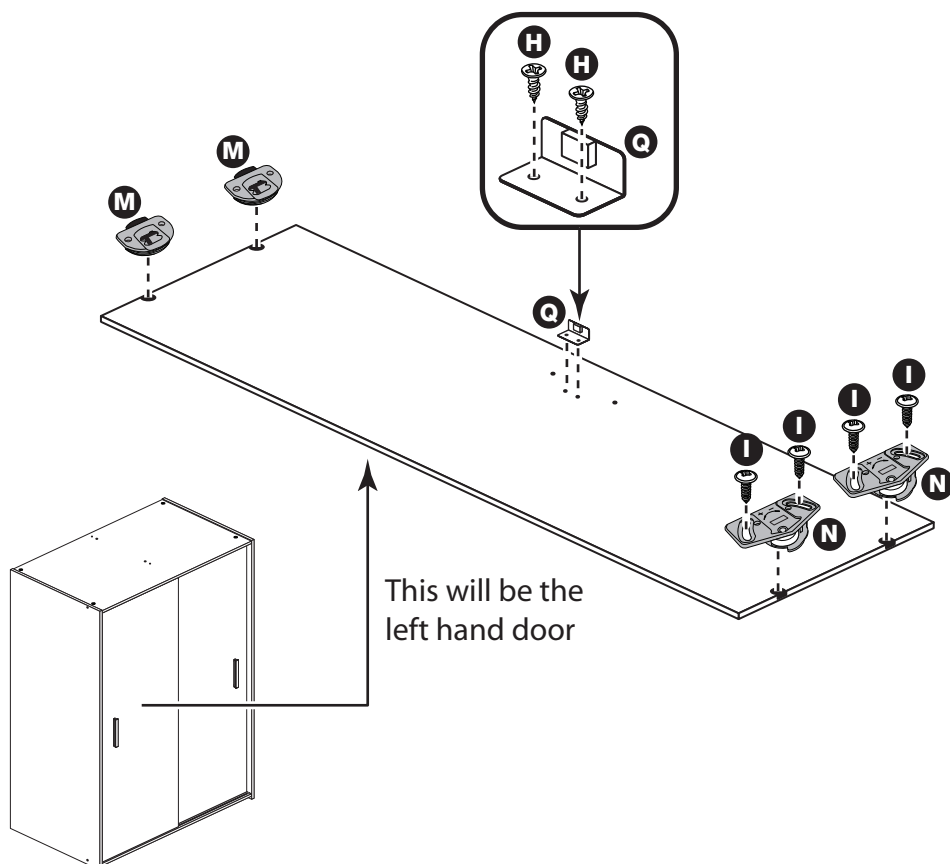
Prepare the left hand door

Important: Check that the holes are in the same place as the diagram.

Fit the buffer bracket **Q** onto the other door using 2 screws **H**.

Push 2 top glides **M** into the door **8**.

Push 2 bottom glides **N** into the door **8** and secure each one with 2 screws **I**.



Assembly Instructions

Step 20

Fit the doors

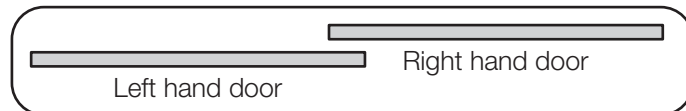
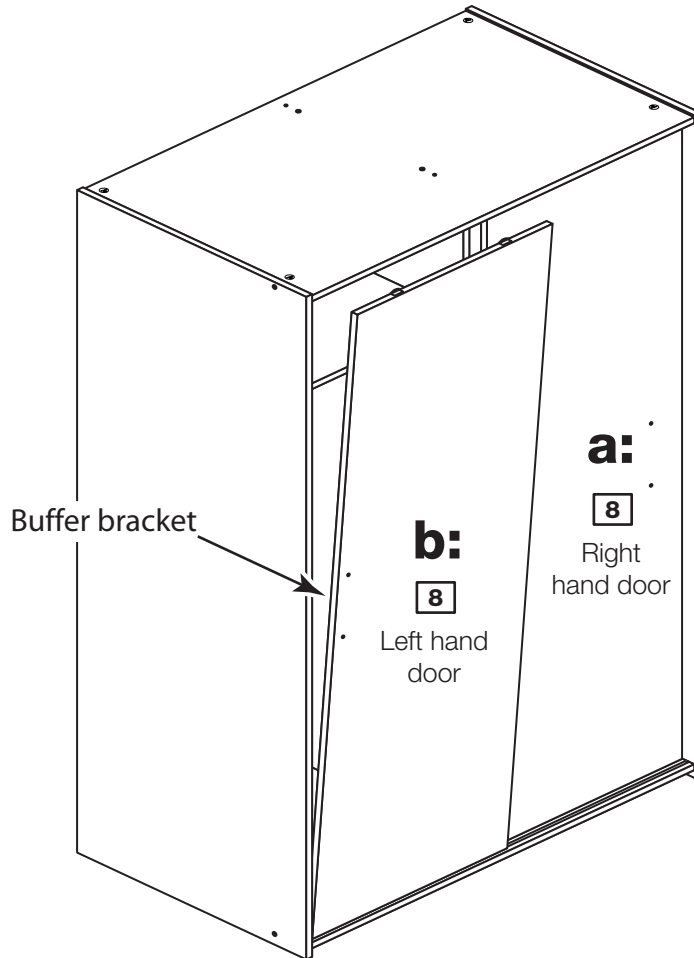
a: With the top of the right hand door **8** leaning back at an angle, insert the bottom glides **N** into the rear track **O**.

Push the top of the right hand door **8** in and locate the top glides **M** into the rear track **O**.

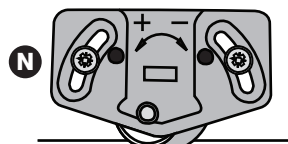
b: With the top of the left hand door **8** leaning back at an angle, insert the bottom glides **N** into the front track **O**.

Push the top of the left hand door **8** in and locate the top glides **M** into the front track **O**.

Note: For more information about fitting the doors please refer to the relevant diagrams.

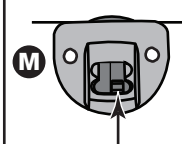


To fit the bottom of the Doors

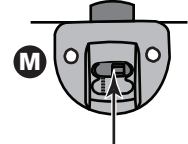


This lug fits into the groove in the track.

To fit the top of the Doors



The switch in the top glides must be in this position prior to fitting the top of the Doors.



When the top of the Door is in position, press the switch to push lug into the groove of the track.

You may have been supplied with a top glide that differs slightly to the one shown. It may have a switch that just moves up and down and does not lock into position.

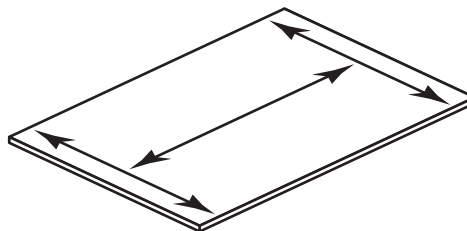
Assembly Instructions

Step 21

Adjust the doors if needed

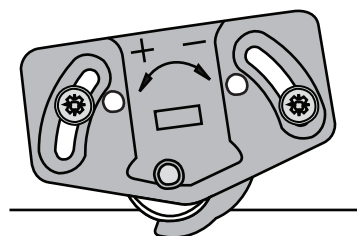
If your doors are not running smoothly, please follow these instructions to adjust the bottom glides.

IF YOUR DOORS DO NOT RUN SMOOTHLY

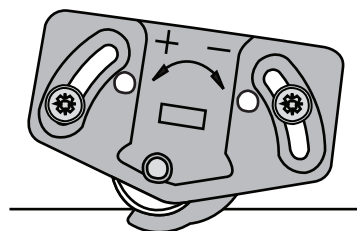


Before adjusting the doors, use a spirit level to check the base (or top) of the unit is level, front-to-back and side-to-side in the 3 positions shown.

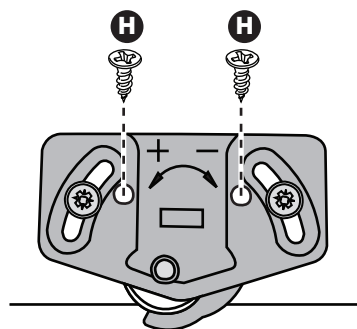
Use suitable packing pieces (not supplied) to make the unit level BEFORE making any adjustment, as shown.



To raise the door, loosen the screws and swivel the glide towards the '+' arrow. Re-tighten the screws.



To lower the door, loosen the screws and swivel the glide towards the '-' arrow. Re-tighten the screws.



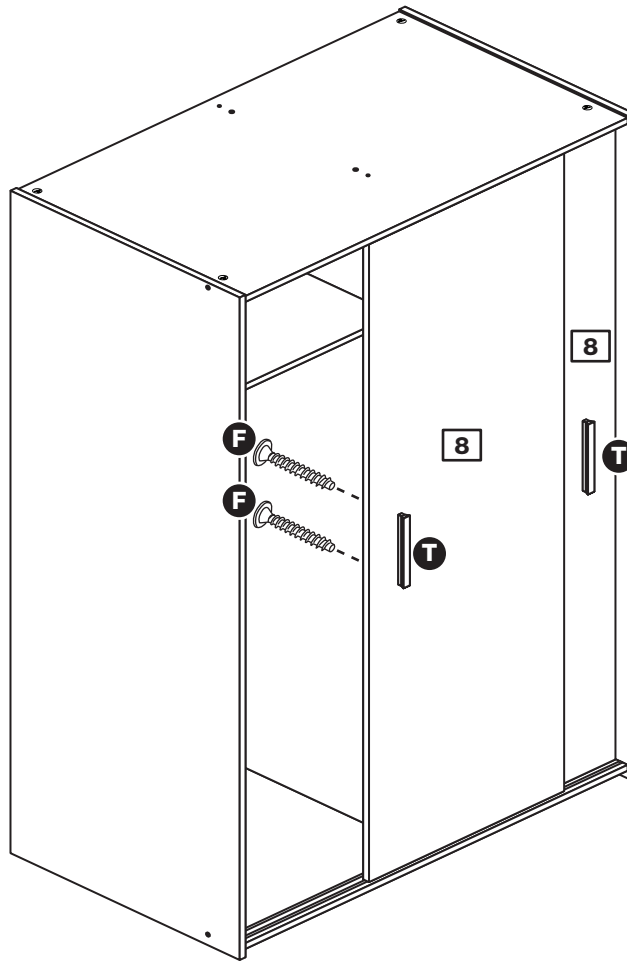
Once the doors have been adjusted and are running smoothly, use 2 screws **H** to hold each of the bottom glides in position.

Assembly Instructions

Step 22

Attach the handles

Attach a handle **T** to each of the doors **8** using screws **F**.



Assembly Instructions

Step 23

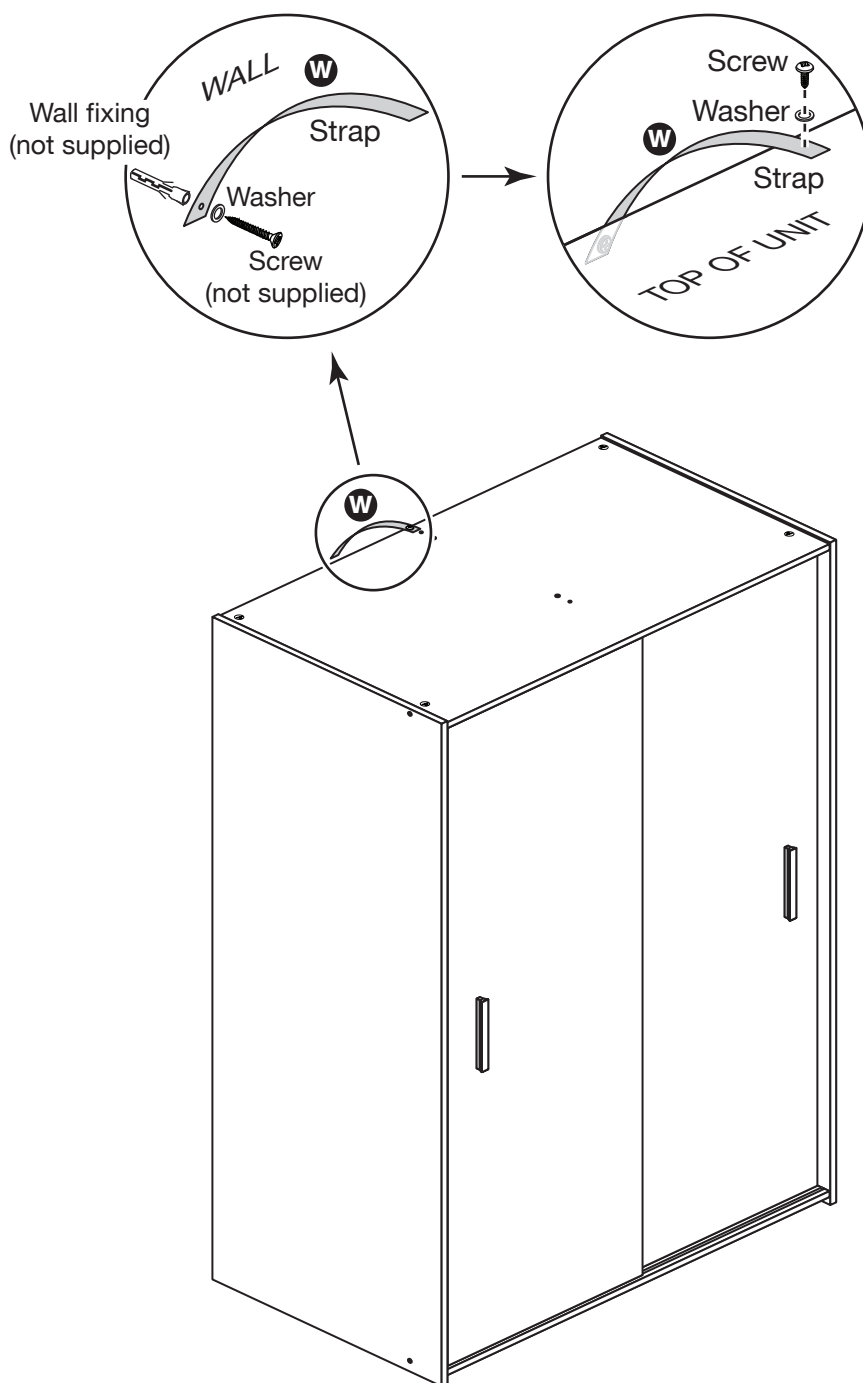
Fit the overbalance protector

To prevent possible overbalancing we recommend that this unit is secured to a suitable wall by fitting of the overbalance protector kit **W** to the unit, or an alternative fixing method of your choice.

Wall fixings are not supplied as they will need to suit the wall type.

Note: Take care when drilling the wall that you do not drill into any pipes, wires etc. If in doubt, consult an expert.

Assembly is complete



If you need help or have damaged or missing parts, call the Customer Helpline: 03456 400800 and quote the reference numbers on the component pages.

Argos Ltd, 489-499 Avebury Boulevard, Central Milton Keynes, MK9 2NW

