

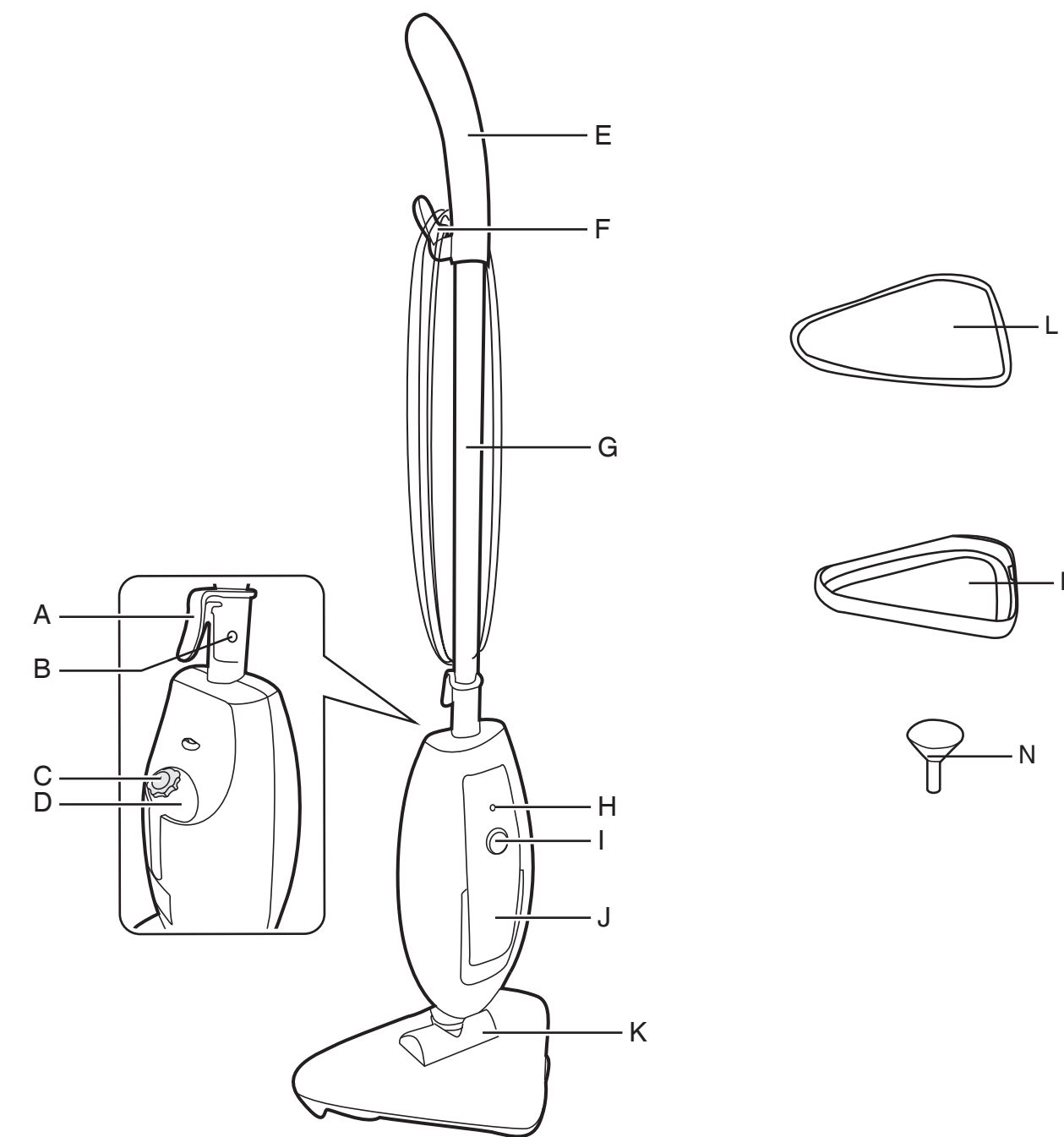


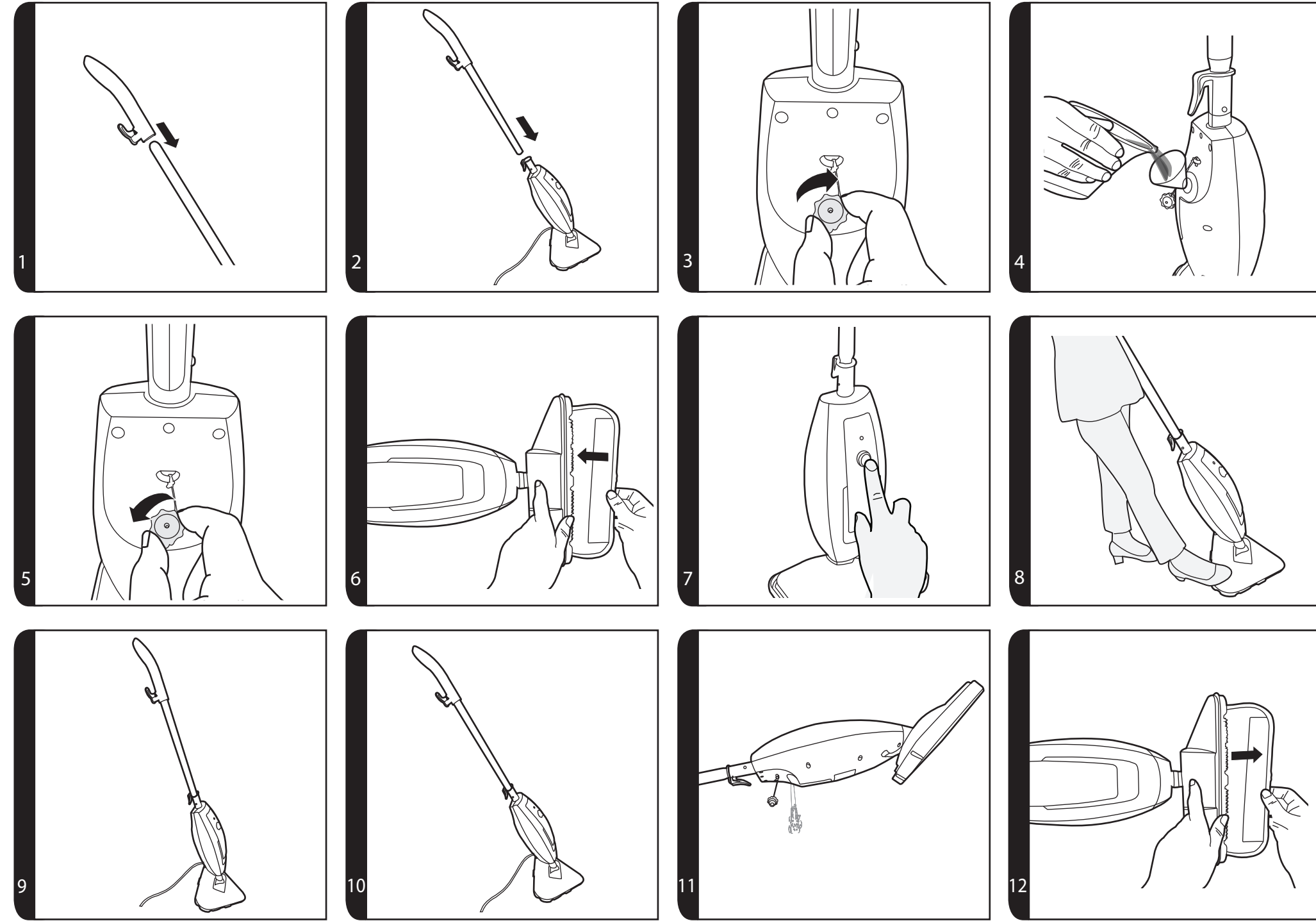
HOOVER



USER MANUAL

PRINTED IN P.R.C.
48016555





INSTRUCTIONS FOR SAFE USE

This appliance should only be used for domestic cleaning, as described in this user guide. Please ensure that this guide is fully understood before operating the appliance.

Do not leave the appliance plugged in. Always switch off and remove the plug from the socket after use, or before cleaning the appliance or any maintenance task.

This appliance can be used by persons with reduced physical, sensory or mental capabilities or lack of experience and knowledge if they have been given supervision or instruction concerning use of the appliance in a safe way and understand the hazards involved. Children shall not play with the appliance.

Keep the appliance out of reach of children when it is energized or cooling down.

The appliance is not to be used if it has been dropped, if there are visible signs of damage or if it is leaking.

If the power cord is damaged stop using the appliance immediately. To avoid a safety hazard, an authorised Hoover service engineer must replace the power cord.

This appliance must be earthed.

The appliance shall not be left unattended while it is connected to the supply mains.

Do not use your appliance out of doors.

Use only attachments, consumables or spares recommended or supplied by Hoover.

Do not use the appliance to clean or direct steam towards animals, people or plants.

Liquid or steam must not be directed towards equipment containing electrical components, such as the interior of ovens.

The filling aperture must not be opened during use.



Danger of Scalding.



Surfaces are liable to get very hot during use. Avoid contact with steam.

Do not stand on or wrap the cord around arms or legs when using your appliance.

Do not position the appliance above you when cleaning the stairs.

When using the cleaning tools ensure to always steady the appliance with your other hand. This will ensure that the appliance does not fall while in use.

Do not handle the plug or appliance with wet hands.

Do not run over the power cord when using your appliance or remove the plug by pulling on the power cord.

Do not continue to use your appliance if it appears faulty.

Hoover service: To ensure the continued safe and efficient operation of this appliance we recommend that any servicing or repairs are only carried out by an authorised Hoover service engineer.

Do not immerse the appliance in water or other liquids.

Do not use detergents or liquids other than water inside the appliance.

For UK and Ireland only: This appliance has a 13 Amp mains plug. If you need to change the fuse in the mains plug, use a 13Amp ASTA (BS1362) fuse.

The Environment

The symbol on this appliance indicates that this appliance may not be treated as household waste. Instead it must be handed over to the applicable collection point for the recycling of electrical and electronic equipment. Disposal must be carried out in accordance with local environmental regulations for waste disposal. For more detailed information about treatment, recovery and recycling of this appliance, please contact your local city office, your household and waste disposal service or the shop where you purchased the appliance.



 This appliance complies with the European Directives 2006/95/EC, 2004/108/EC and 2011/65/EU.

HOOVER Limited, Pentrebach, Merthyr Tydfil, Mid Glamorgan, CF48 4TU, UK

GETTING TO KNOW YOUR CLEANER

- A. Lower Cord Clip
- B. Handle Release Button
- C. Water Tank Cap
- D. Clean Water Tank
- E. Handle
- F. Upper Cord Clip
- G. Handle Pole
- H. Power Lamp (Inside)
- I. On/Off Switch
- J. Cleaner Main Body
- K. Floor Head
- L. Textile Pad
- M. Carpet Glider
- N. Funnel

ASSEMBLING YOUR CLEANER

Remove all components from the packaging.

1. Insert the handle pole into the handle until it locks into position. [1]
2. Insert the handle into the cleaner main body until it locks into position. [2]

USING YOUR CLEANER

BEFORE YOU BEGIN CLEANING

1. Remove the clean water tank cap from the cleaner main body. [3]
2. Fill the clean water tank with cold tap water. [4] Do not add any chemicals, detergents or perfumes to the clean water tank.
3. Re-fit the tank cap and ensure good sealing. [5]
4. Attach the textile pad to the base of the floor head. [6]

IMPORTANT: Always unplug the cleaner when adding water or changing a textile pad.
NOTE: Wash the textile pad prior to use to remove any lint.

STEAM CLEANING HARD FLOORS

NOTE: Always sweep or vacuum the floor prior to use to remove any loose dirt or debris.
IMPORTANT: Do not use the cleaner without a textile pad attached to the floor head.

NOTE: Do not use the carpet glider when cleaning hard floors.

1. Plug the steam cleaner into the main power and switch on the product. The power lamp will illuminate after 20 seconds. [7]
2. To produce steam recline the cleaner by placing a foot on the floor head and lowering the

main body towards the floor. [8]

3. Move the cleaner slowly backwards and forwards paying particular attention to high traffic areas. [9]

REFRESHING CARPETS

NOTE: Always sweep or vacuum the floor prior to use to remove any loose dirt or debris.
IMPORTANT: Do not use the cleaner without a textile pad attached to the floor head.

1. Attach the carpet glider to the floor head. [10]
2. Plug the steam cleaner into the main power. The power lamp will illuminate after 20 seconds.
3. To produce steam recline the cleaner by placing a foot on the floor head and lowering the main body towards the floor. [8]
4. Move the cleaner slowly backwards and forwards paying particular attention to high traffic areas. [9]

CLEANER MAINTENANCE

IMPORTANT: Always ensure the cleaner has fully cooled down before performing any maintenance tasks.

Empty the water tank

1. Unplug the cleaner from the main power and ensure the unit has cooled.
2. Remove the water tank cap, pull off directly. [3]
3. Empty any excess water from the tank. [11] Replace the water tank cap. [5]

Removing and cleaning the textile pad

1. Unplug the cleaner from the main power and ensure the unit has cooled.
2. If necessary remove the carpet glider, then peel the textile pad from the floor base. [12]
3. Wash the textile pad in a washing machine with a mild detergent at max temperature 40°C.

IMPORTANT: Do not use bleach or fabric softener when washing the textile pad.

Storage of appliance

Store the appliance in a dry area.

TROUBLE SHOOTING

Should you have a problem with the product, complete this simple user checklist before calling your local Hoover service.

The steam stick will not switch on.

- Check the unit is plugged in.
- Check the power cord

The steam stick is not producing steam.

- There may be no water in the clean water tank.
- You may not have waited enough time after switching the cleaner on (20 seconds).

- Steam cleaner may not be reclined; it doesn't produce steam in upright position.

The textile pad won't pick up dirt.

- The cleaning pad may already be saturated with dirt and needs to be washed. Refer to the Maintenance section.

CLEANING FAQs

When is Steam Express ready? Approximately 20 seconds after switch on.

Can I use Steam Express on all floor surfaces? On all hard floors like marble, ceramic, stone, linoleum, sealed hardwood floors and parquet.

Does Steam Express emit steam automatically? yes, Recline the cleaner by placing a foot on the floor head then the steam will emit automatically.

Can I use it vertically? No, Steam Express can be used only horizontally.

Can I put detergents or other chemicals inside the tank? No, you would damage the product.

What if in the city where I live the water is very hard? You can use filtered water.

How long will one tank of water last before needing to be refilled? Approximately 20 minutes if you use steam continuously.

Is the mop washable? Yes, it can be washed by hand or in the washing machine with a mild detergent at max temperature 40°C. Do not use bleach or fabric softener.

How often should I replace the mop? It depends on different factors above all how hard the floor is. The best way to understand when to change the mop is when the mop is still dirty after having washed it or if you notice that it doesn't perform like before.

IMPORTANT INFORMATION

Hoover spares and Consumables

Always replace parts with genuine Hoover spares. These are available from your local Hoover dealer or direct from Hoover. When ordering parts always quote your model number.

Consumables

Textile Pad (x2): AC33 35601658

Hoover Customer Helpline

Tel.: 08444 995 599

Email: customer.services@hoovercandy.com

Quality

Hoover's factories have been independently assessed for quality. Our products are made using a quality system which meets the requirements of ISO 9001

Your Guarantee

The guarantee conditions for this appliance are as defined by our representative in the country in which it is sold. Details regarding these conditions can be obtained from the dealer from whom the appliance was purchased. The bill of sale or receipt must be produced when making any claim under the terms of this guarantee.

Subject to change without notice.