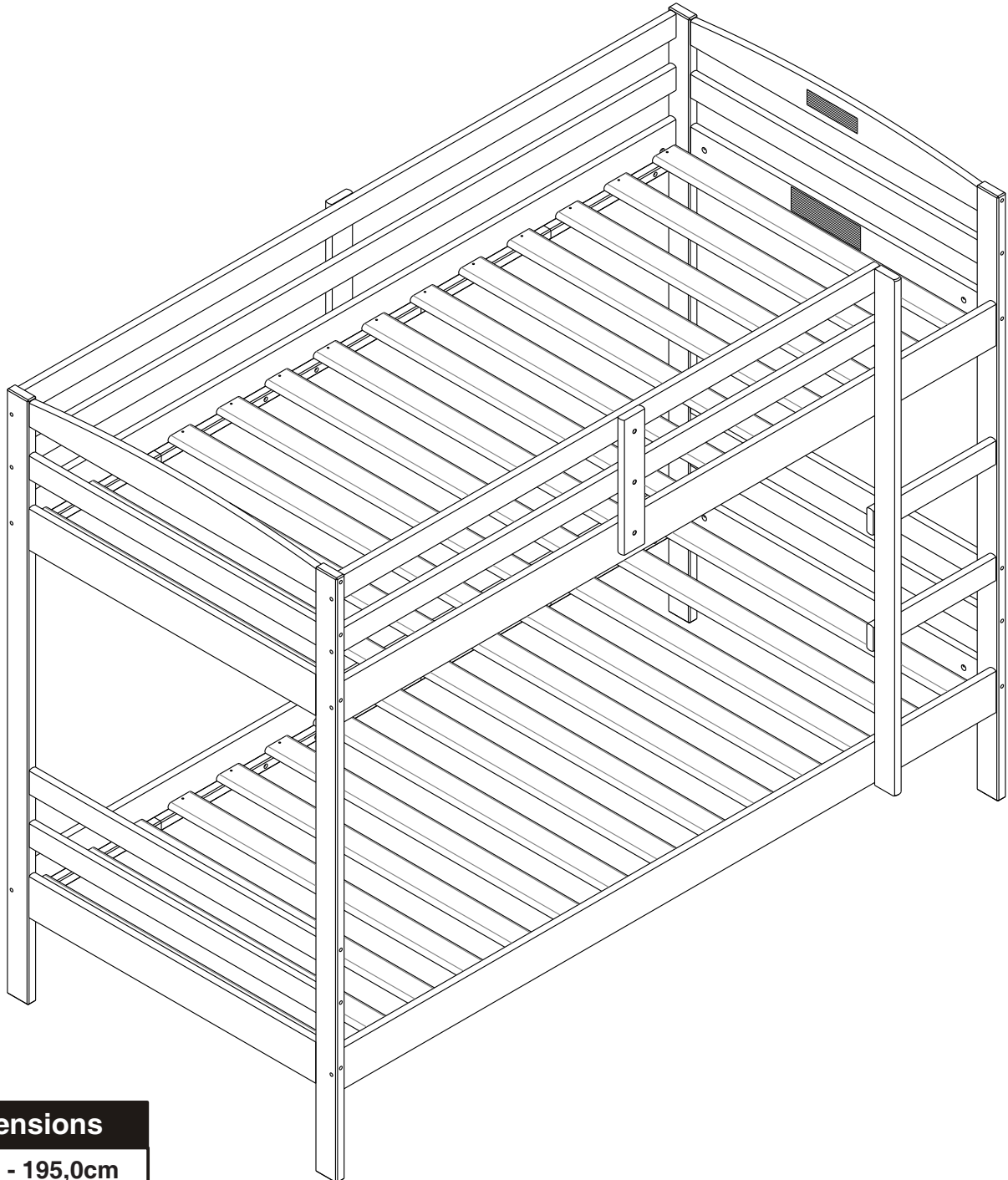


3FT Josie Bunk Bed

Assembly Instructions - Please keep for future reference

436/9730

434/7972



Dimensions

Width - 195,0cm

Depth - 103,3cm

Height - 154,6cm

Important – Please read these instructions fully before starting assembly

If you need help or have damaged or missing parts, call the **Customer Helpline: 03456 400 800**



Safety and Care Advice

Important – Please read these instructions fully before starting assembly

- Check you have all the components and tools listed on pages 2 and 3.
- Remove all fittings from the plastic bags and separate them into their groups.
- Keep children and animals away from the work area, small parts could choke if swallowed.
- Make sure you have enough space to layout the parts before starting.
- Assemble on a soft level surface to avoid damaging the unit or your floor.

• This product contain natural timber; you may notice some variation in the grain and colour of different component parts which is normal for furniture produced using natural wood and is not the result of any manufacturing fault.

• Do not stand or put weight on the product, this could cause damage.

• Assemble the item as close to its final position (in the same room) as possible.



• We do not recommend the use of power drill/drivers **for inserting screws**, as this could damage the unit. Only use hand screwdrivers.

• Parts of the assembly will be easier with 2 people.

• Dispose of all packaging carefully and responsibly.

Care and maintenance

• Use an appropriate furniture polish for natural wood furniture and a dry cloth to clean the product.

• Avoid placing the furniture in direct sunlight as this will cause the timber to prematurely age.

• From time to time check that there are no loose screws on this unit.

• This product should not be discarded with household waste. Take to your local authority waste disposal centre.

IMPORTANT, READ CAREFULLY -RETAIN FOR FUTURE REFERENCE.

ASSEMBLY:

Current legislation requires that the bunk bed must be fitted with 4 safety-rails and a ladder or platform for the upper bunk bed. The bunk bed meets the European EN 747-2012 standards for security and durability.

MATTRESS:

This bed is designed to use a mattress size 190 cm. long and 91,0 cm. wide. The total thickness must not exceed 16,0 cm. The mattress top must not pass the marking on the ladder.

WARNING:

High beds and the upper bed of bunk beds are not suitable for children under six years due to the risk of injury from falls. Do not use the bed if any structural part is broken or missing. Be aware that children can strangle in items such as ropes, strings, cords, harnesses and belts attached to or hung on a bunk bed/high bed.

WARNING:

Children can become trapped between the bed and the wall. To avoid risk of serious injury the distance between the top safety barrier and the wall shall not exceed 75 mm. or shall be more than 230 mm.

MAINTENANCE INSTRUCTIONS:

All assembly fastenings should always be tightened properly and that care should be taken that no fittings are loose.

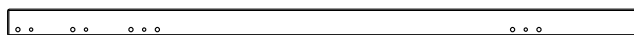
CLEANING:

LACQUERED: Wooden, lacquered and painted as well as laminated surfaces should be wiped over with a cloth and a mild soap.

OIL: Oiled surfaces can be cleaned with soapy water, e.g. brown soap. Wipe with a clean cloth. To maintain the natural life in the furniture which is provided by the oil treatment, we recommend an oil aftercare of the furniture 1-2 times a year. The colourless natural oil for maintenance of oil-treated furniture is available at your local furniture store.

Components - Panels

Please check you have all the panels listed below



- 1 Left front foot/ right back foot x 2
(152,5 x 6,3 x 2,5 cm)



- 2 Left back foot
(152,5 x 6,3 x 2,5 cm)



- 3 Right front foot
(152,5 x 6,3 x 2,5 cm)



- 4 Wide bar x 3
(83,5 x 11,0 x 1,9 cm)



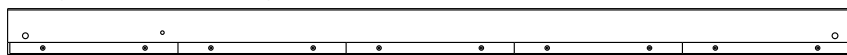
- 5 Wide bar with label
(83,5 x 11,0 x 1,9 cm)



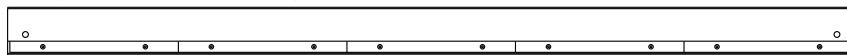
- 6 Narrow bar x6
(83,5 x 6,5 x 1,9 cm)



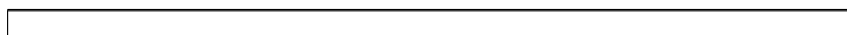
- 7 Curved bar with label
(83,5 x 9,0 x 1,9 cm)



- 8 Front side rail x2
(175,0 x 11,0 x 3,8 cm)



- 9 Back side rail x2
(175,0 x 11,0 x 3,8 cm)



- 10 Long guard rail x2
(175,0 x 6,3 x 1,9 cm)



- 11 Short guard rail x2
(141,2 x 6,3 x 1,9 cm)



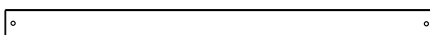
- 12 Ladder side rail
(130,2 x 6,5 x 1,9 cm)



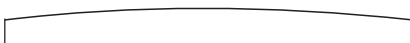
- 13 Step x 2
(35,7 x 6,5 x 1,9 cm)



- 14 Guard rail support x 2
(34,0 x 6,5 x 1,9 cm)



- 15 Slats x 28
(91,0 x 7,0 x 1,7 cm)



- 16 Curved bar
(83,5 x 9,0 x 1,9 cm)

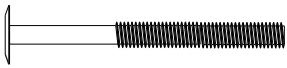

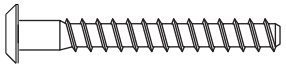
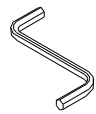
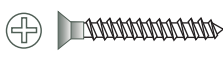
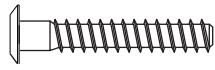
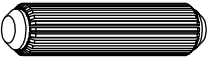
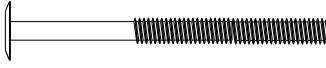
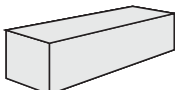


Components - Fittings

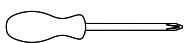
If you have damaged or missing components, call the **Customer Helpline: 03456 400 800**

Please check you have all the fittings listed below

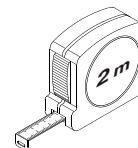
Note: The quantities below are the correct amount to complete the assembly. In some cases more fittings may be supplied than are required.

<p>A </p> <p>1/4 x 70mm x 17 Bolt X 8</p>	<p>B </p> <p>Barrel nut X16</p>	<p>C </p> <p>7 x 100 x 17mm Bolt X 16</p>
<p>D </p> <p>Allen Key X1</p>	<p>E </p> <p>4 x 35mm Screw X 62</p>	<p>F </p> <p>7 x 60 x 17mm Bolt X 14</p>
<p>G </p> <p>10 x 40mm Wooden dowel X 56</p>	<p>H </p> <p>1/4 x 110mm x 17 Bolt X 8</p>	<p>I </p> <p>Spacer 71mm X 02</p>

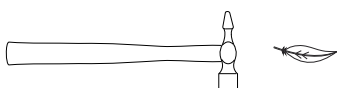
Tools required



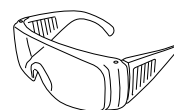
Phillips screwdriver
(medium & large)



Ruler/tape
measure

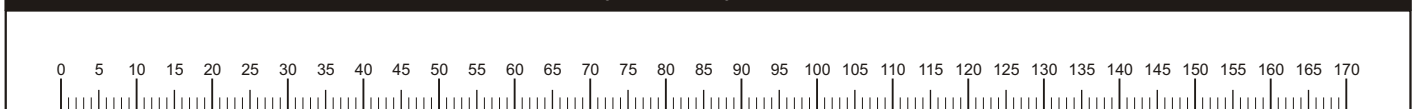


Small
hammer



Eye protection
(when using a
hammer)

Ruler - Use this ruler to help correctly identify the screws

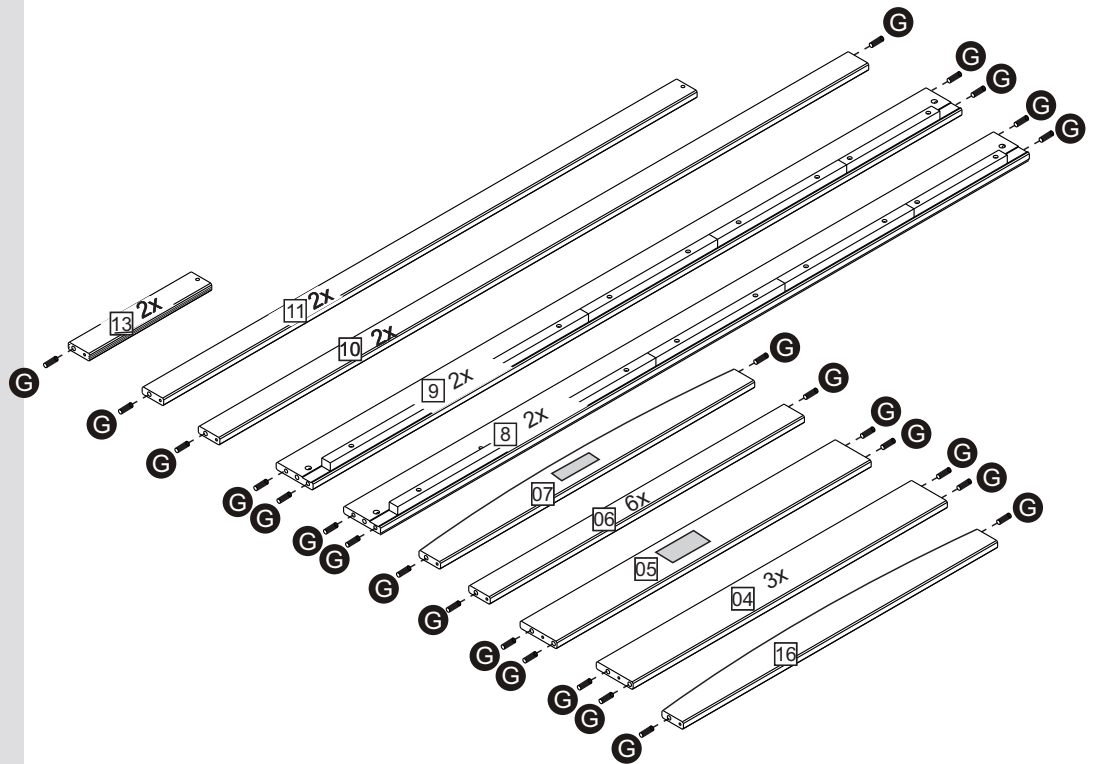


Assembly Instructions

Step 1

Inserting wooden dowels:

Insert wooden dowels **G** into the indicated parts.



Step 2

Footboard assembly:

Fit wide bars **4** narrow bars **6** and curved bar **16** to left front foot **1** and left back foot **2**.

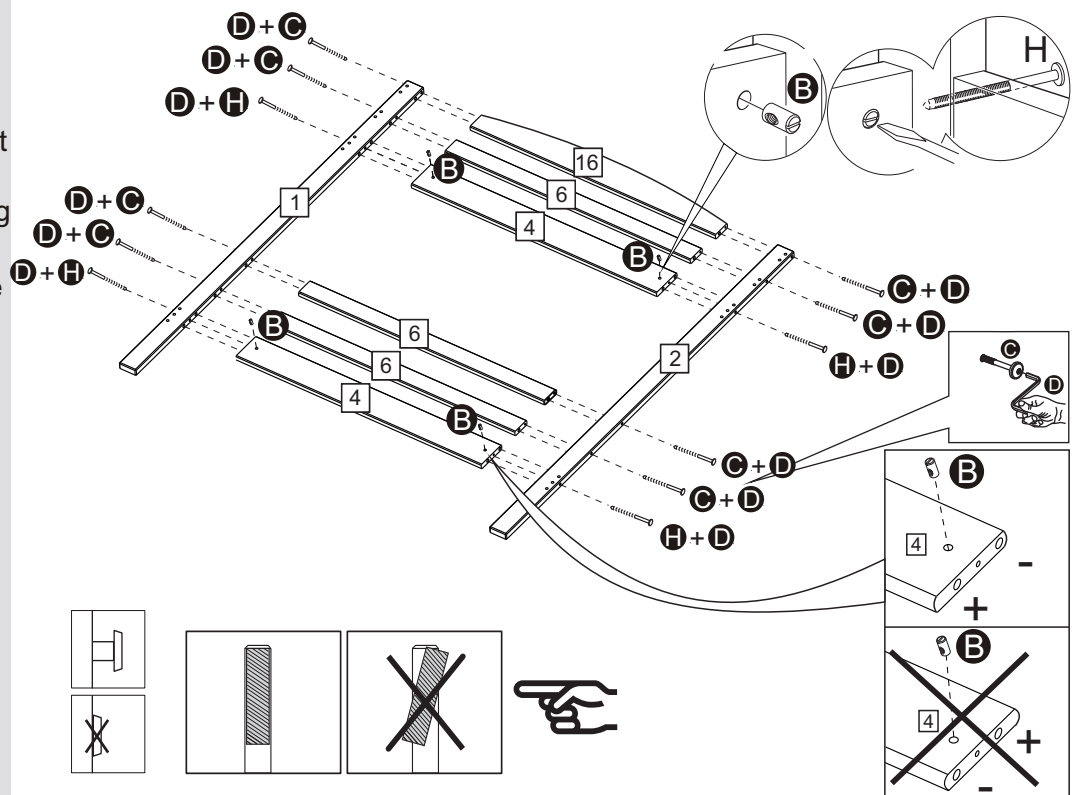
Then, fix narrow bars using bolts **C** and allen key **D**. Insert barrel nuts **B** where shown and fix bolts **H** using allen key **D**.

Note correct holes position on the posts.
Do not over tighten bolts.



Attention:

Make sure wide bars **4** are positioned as shown in the diagram.



Assembly Instructions

Step 3

Headboard assembly:

Fit wide bars **4** and **5** and narrow bars **6** and curved bar with label **7** to right back foot **1** and right front foot **3**. Then, fix narrow bars using bolts **C** and allen key **D**. Insert barrel nuts **B** where shown and fix bolts **H** using allen key **D**.

Make sure labels in bars **5** and **7** are facing up before fixing.

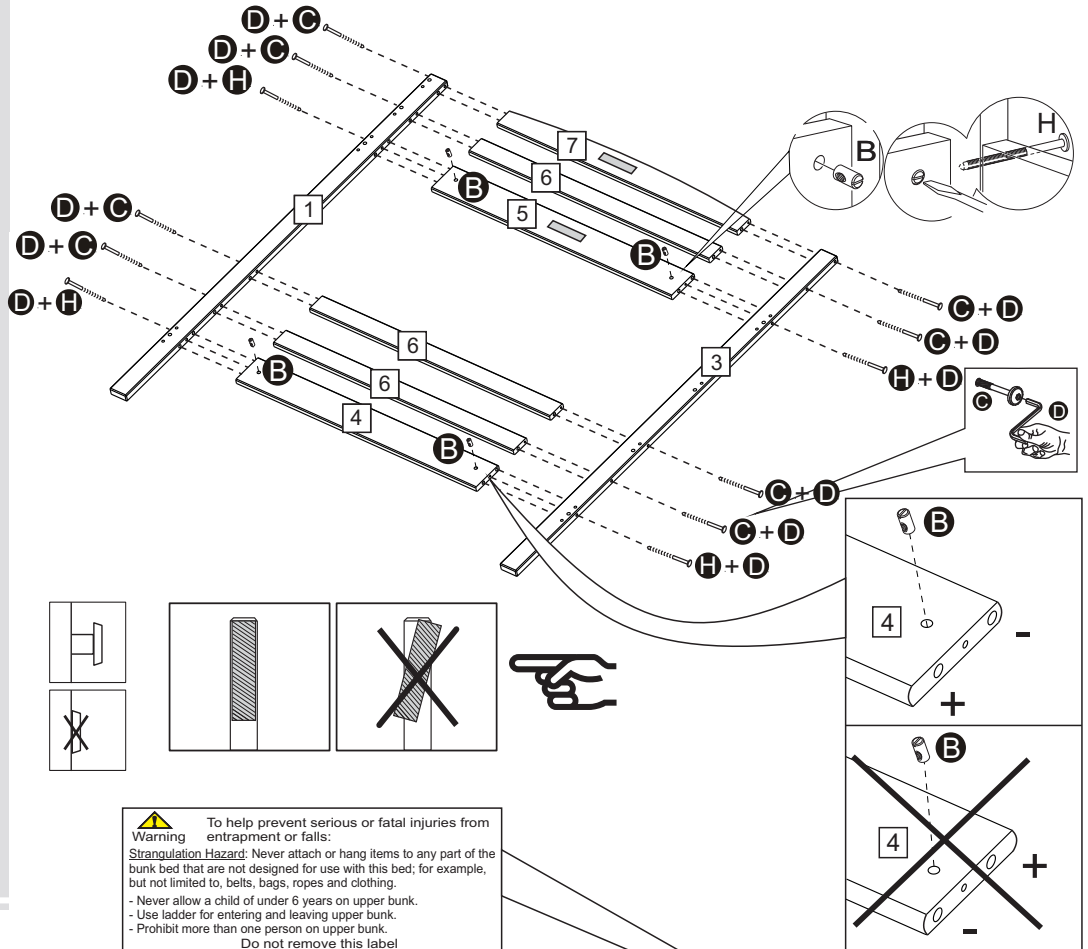
Note correct holes position on the posts.

Do not over tighten bolts.



Attention:

Make sure wide bars **4** and **5** are positioned as shown in the diagram.



Step 4



Attention:

From this step two people are required for an easier assembly.

Fixing side rails to the headboard:

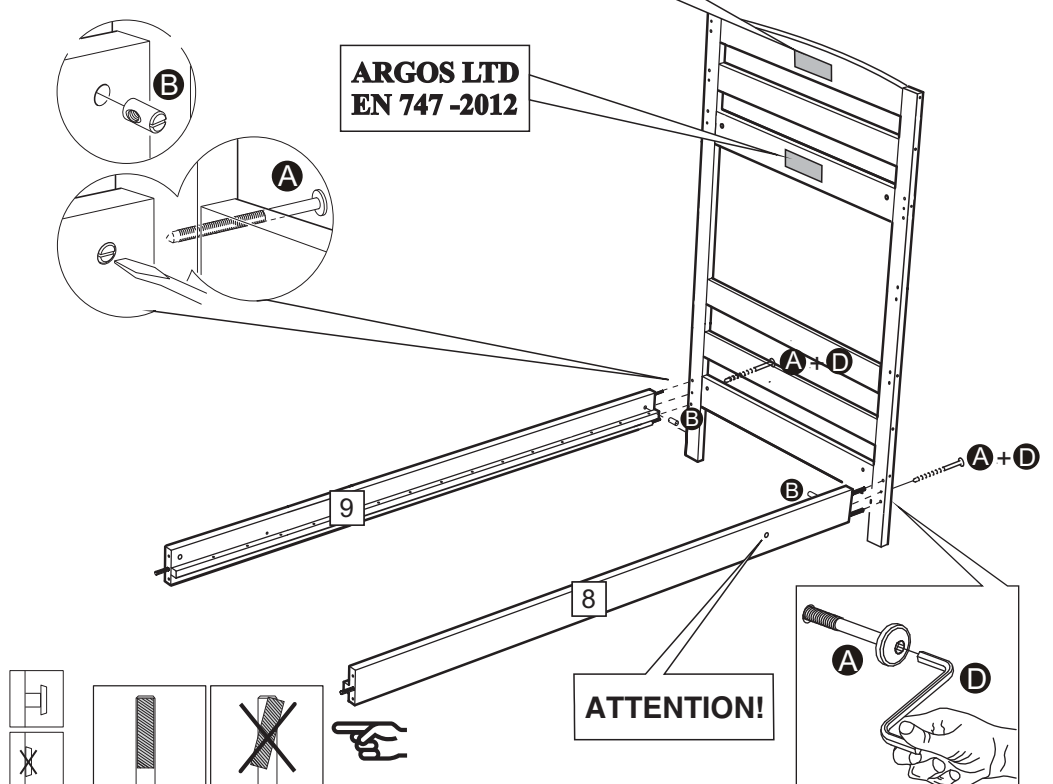
Insert barrel nuts **B** into side rails **8** and **9** as shown.

With help, fix side rail to headboard using bolts **A** and allen key **D**.



Attention:

Make sure side rail **8** is positioned as shown in the diagram.

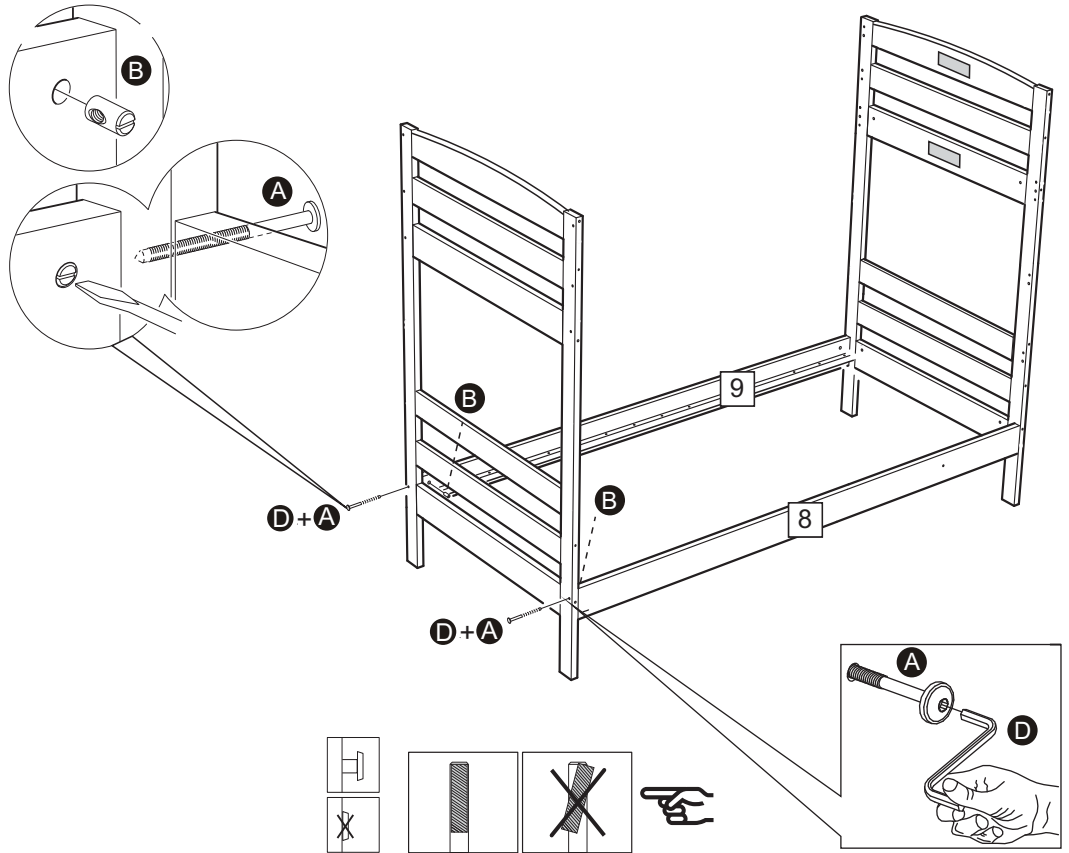


Assembly Instructions

Step 5

Fixing side rails to the footboard:

Insert barrel nuts **B** into side rails **8** and **9** as shown. With help, fix side rail to footboard using bolts **A** and allen key **D**.



Step 6

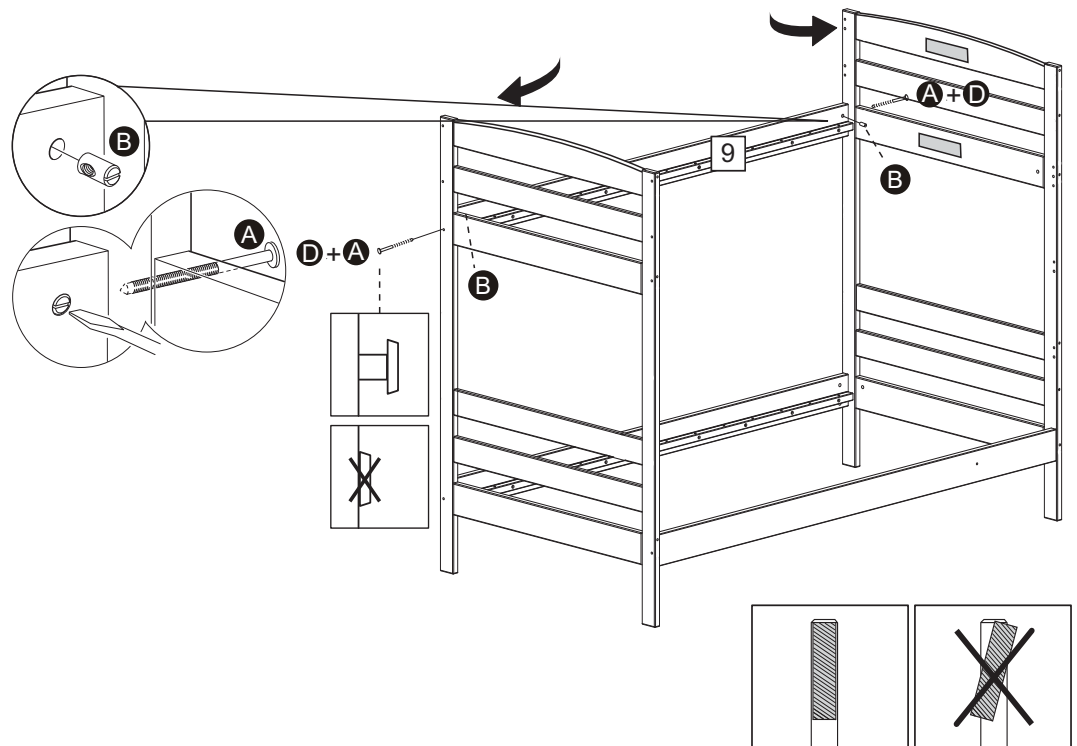
Fixing back side rail:

Insert barrel nuts **B** into back side rail **9** and fix it to the headboard and footboard using bolts **A** and allen key **D**.



Note

Do not fully tight screws



Assembly Instructions

Step 9

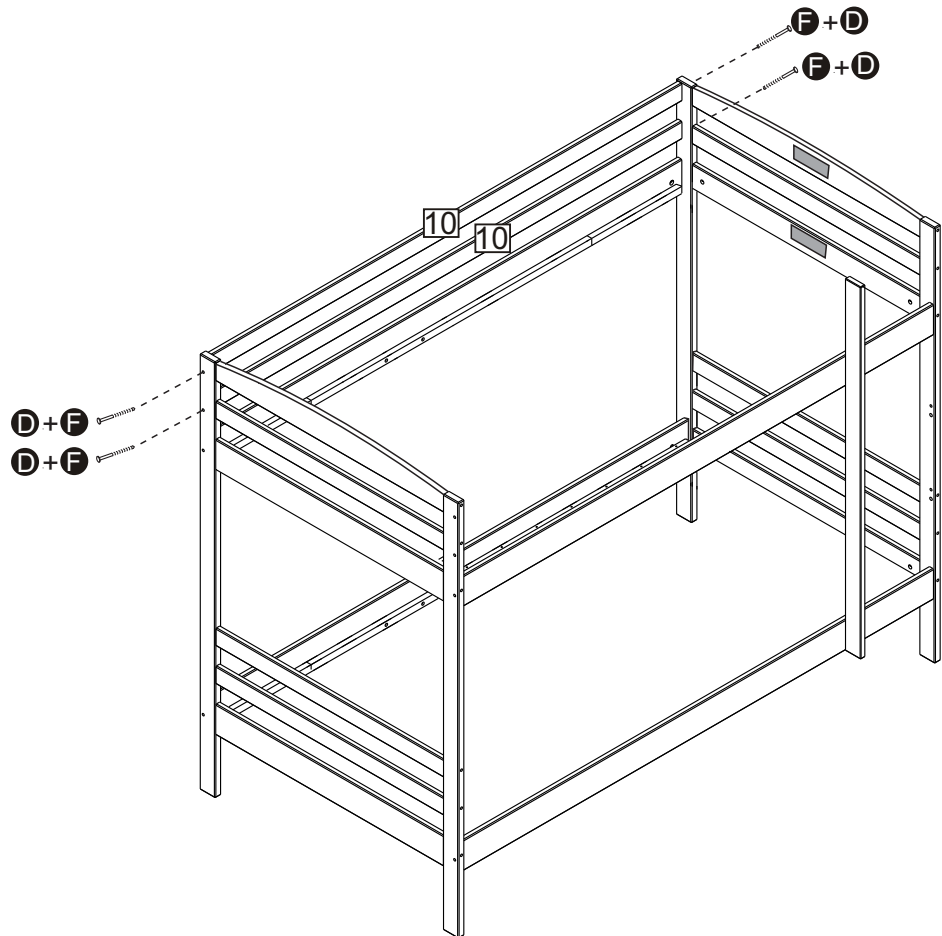
Fixing long guard rail:

Fix long guard rails **10** to the headboard and footboard using bolts **F** and allen key **D**.



Attention:

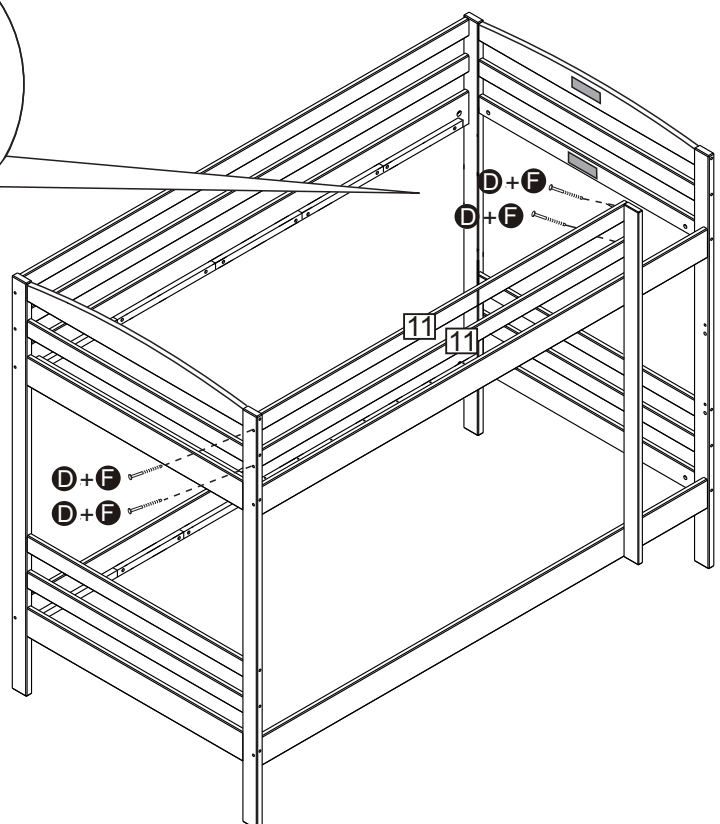
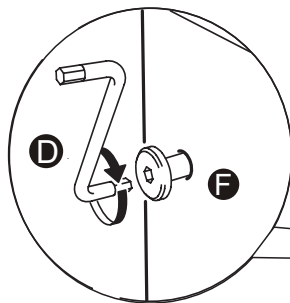
Finish tighten screws on side rails using allen key **D**.



Step 10

Fixing short guard rail:

Fix short guard rail **11** to the footboard and ladder side rail using bolts **F** and allen key **D**.

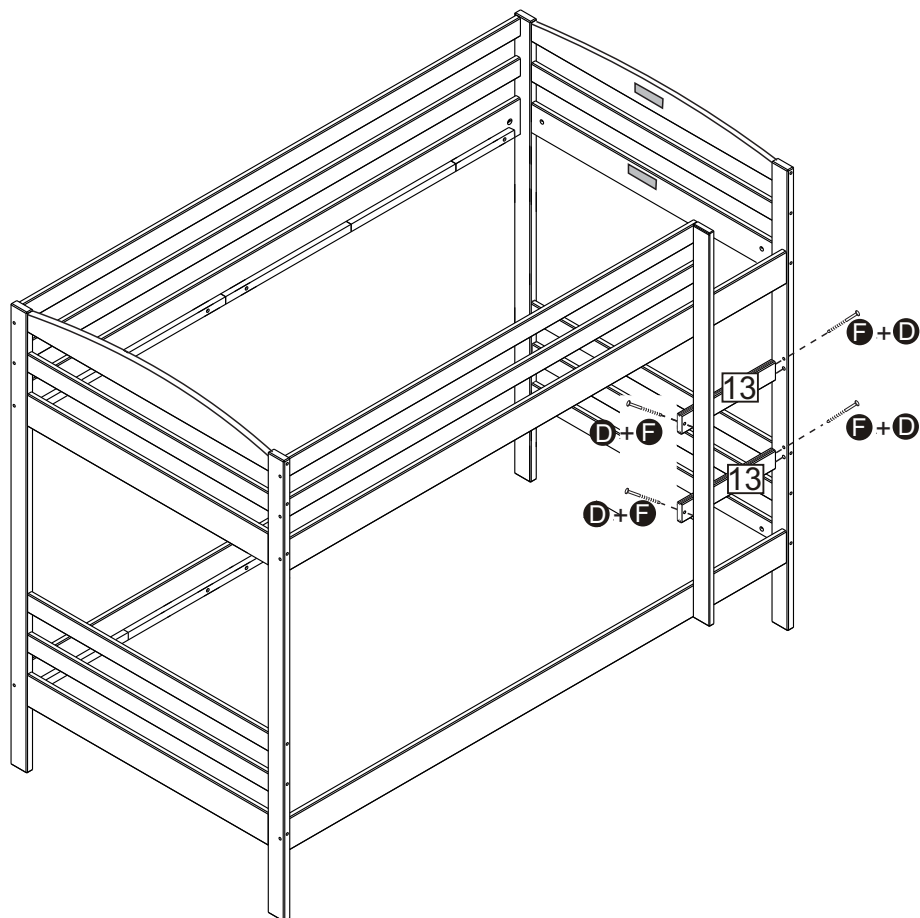


Assembly Instructions

Step 11

Fixing Steps:

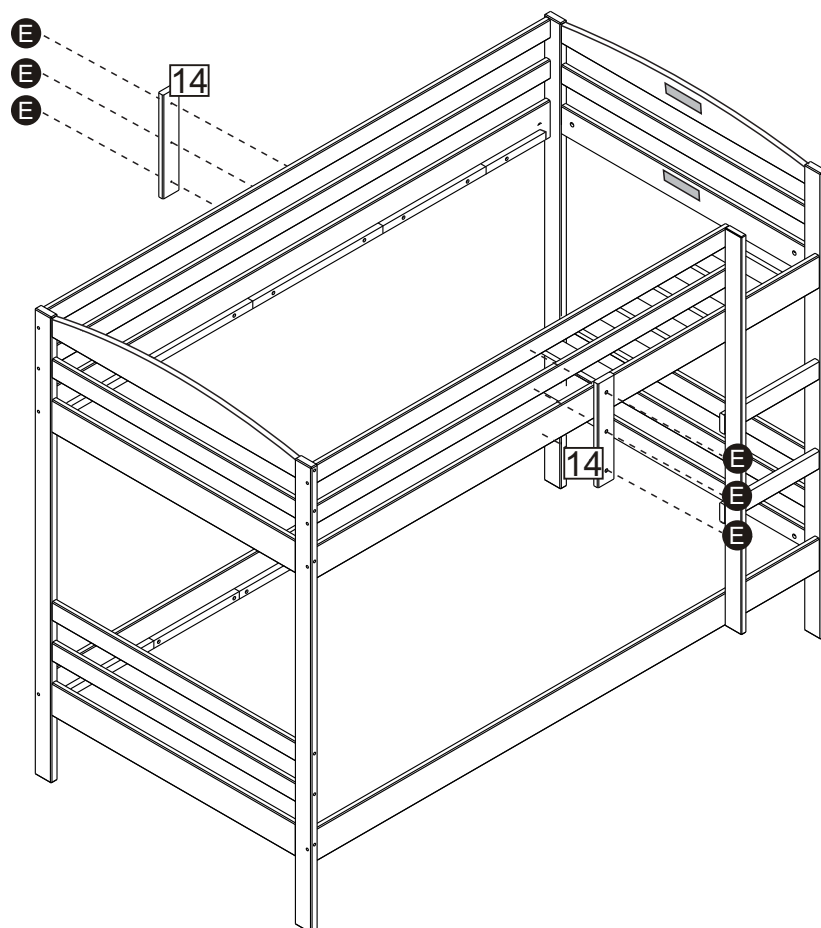
Fix steps **13** to the ladder side rail and the headboard using bolts **F** and allen key **D**.



Step 12

Fixing guard rail support:

Fix guard rail support **14** to the guard rails using screws **E**.



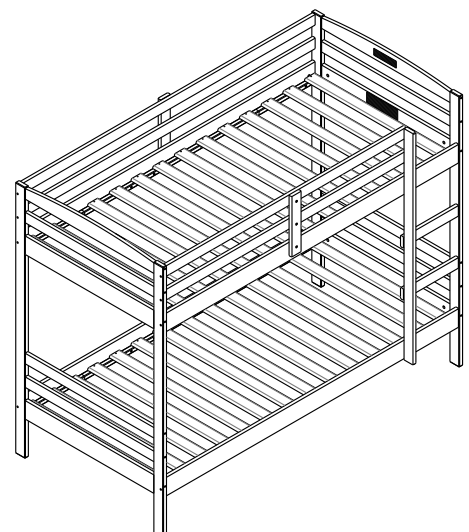
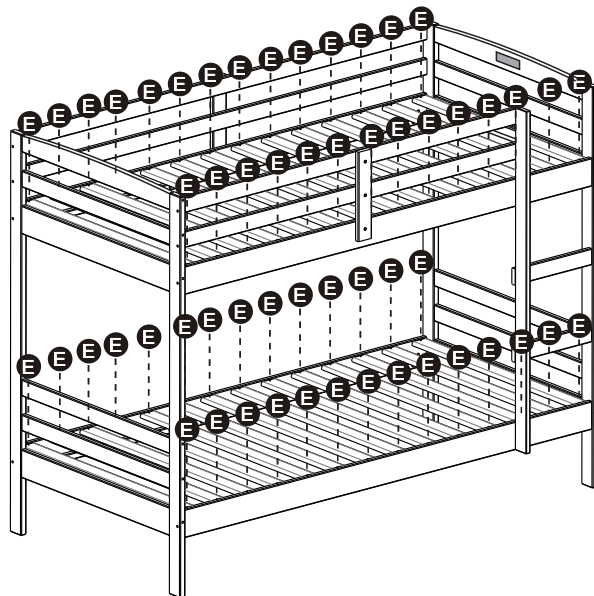
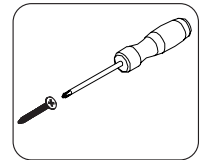
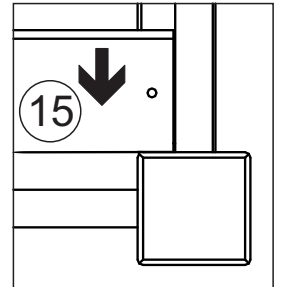
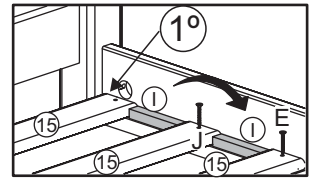
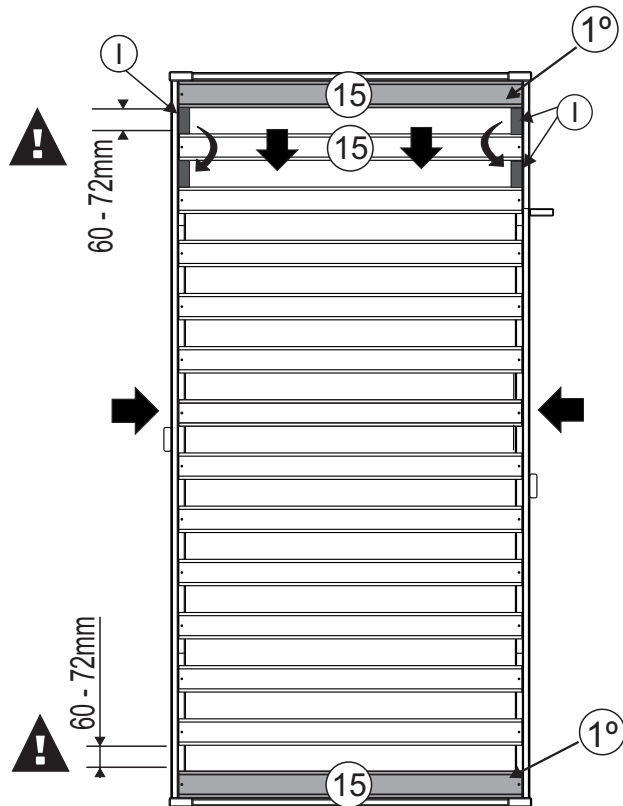
Assembly Instructions

Step 13

Fixing slats:

Please fix the first slats 15 at the ends of the rail and work towards the middle of the bed using the spacer 1 as shown to ensure correct spacing.

Fix one side first, using screws E, then fix the other side by pushing the rail against the slats if necessary.



Periodically check that all screws are tight.

Assemble is complete!