

1 Drawer Entertainment Unit

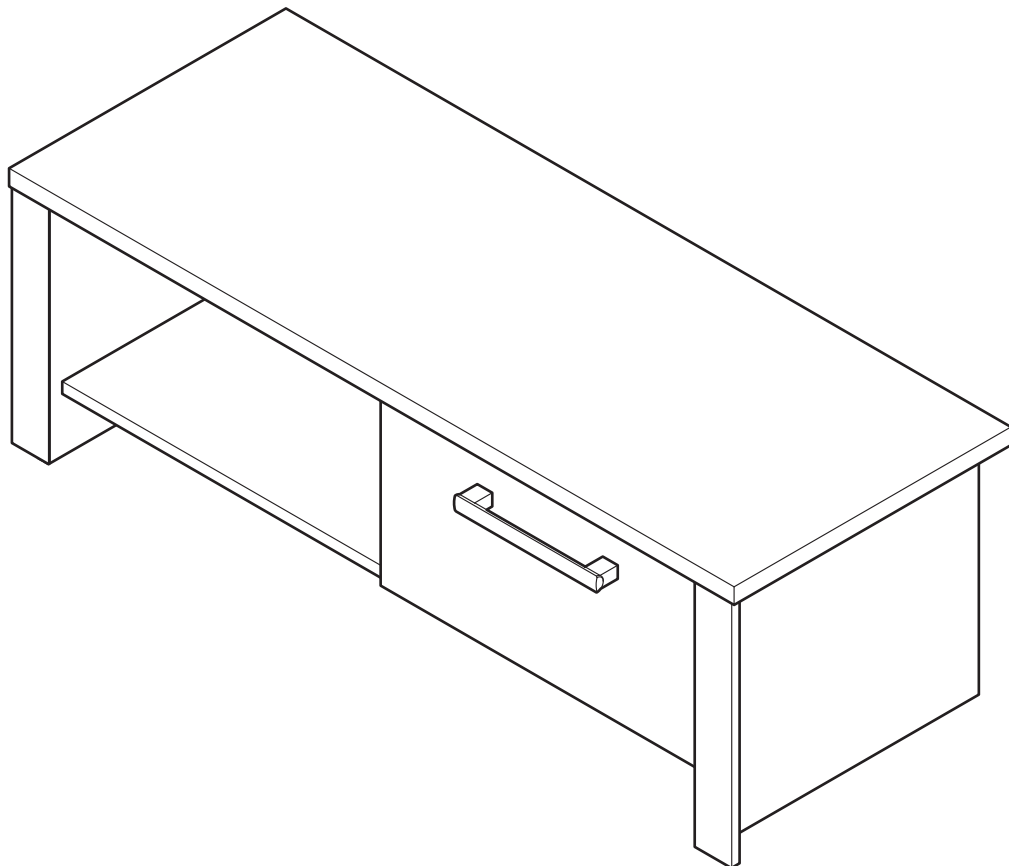
Assembly Instructions - Please keep for future reference

033 xx 3042

424 / 2077

427 / 1055

609 / 6974



Dimensions

Width - 101.6cm

Depth - 38.8cm

Height - 34.4cm

Important - Please read these instructions fully before starting assembly

If you need help or have damaged or missing parts, call the **Customer Helpline: 01709 534123**
Please turn to back page for important information when contacting Customer Helpline.

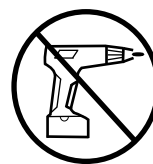


Safety and Care Advice

Important - Please read these instructions fully before starting assembly

- Check you have all the components and tools listed on pages 2 and 3.
- Remove all fittings from the plastic bags and separate them into their groups.
- Keep children and animals away from the work area, small parts could choke if swallowed.
- Make sure you have enough space to layout the parts before starting.

- Do not stand or put weight on the product, this could cause damage.
- Assemble the item as close to its final position (in the same room) as possible.
- Assemble on a soft level surface to avoid damaging the unit or your floor.
- Parts of the assembly will be easier with 2 people.



• We do not recommend the use of power drill/drivers **for inserting screws**, as this could damage the unit. Only use hand screwdrivers.

- **Do Not dispose of packaging until assembly complete.**
- Dispose of all packaging carefully and responsibly when assembly complete.

Care and maintenance

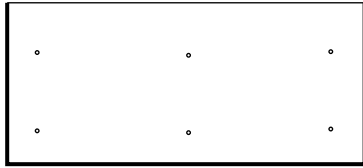
- To protect the furniture, position the furniture out of direct sunlight and away from direct heat sources such as radiators and fires.
- Do not place the furniture in excessively dry and humid conditions.
- From time to time check that there are no loose screws on this unit.
- Always lift furniture when moving it (do not drag) otherwise the joints may be damaged.
- Do not place hot or cold objects on the surface, always use protective mats to avoid marking the furniture.
- This product should not be discarded with household waste. Take to your local authority waste disposal centre.
- Clean spills up immediately
- Dust surfaces with a soft, dry, lint free cloth.
- More stubborn marks can be removed using a damp (not wet) cloth. Wipe the surface dry immediately using a soft lint free cloth.
- Do not use detergents, abrasive cleaning products or cleaning products that contain ammonia, solvents or silicone as these may damage the surface finish.

Components - Panels

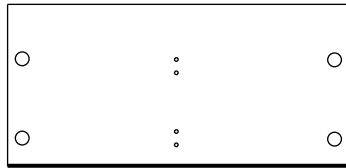
Please check you have all the panels listed below



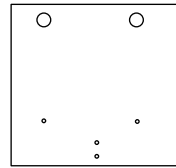
Important - Thick lines  indicate finished edges



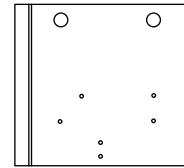
8800 Top (101.6x38.8cm)



8801 Bottom (91x36cm)



8802
Left End Panel
(32.2x38.2cm)



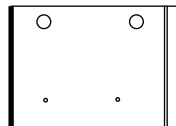
8803
Right End Panel
(32.2x38.2cm)



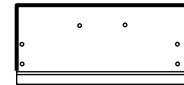
8806 Plinth (91x76cm)



8807 Backpanel (45.6x22.8cm)



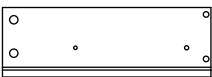
8804
Division
(36x22.9cm)



8805
Draw Front
(45.8x23.8cm)



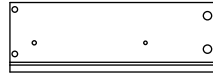
4472 Drawer Bottom (42.6x29.8cm)



622xx7000
Left drawer side (30x15cm)



624xx7006
Drawer back (41.4x15cm)



623xx7000
Right drawer side (30x15cm)




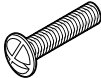


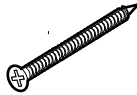

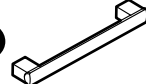

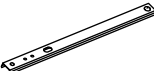


Components-Fittings

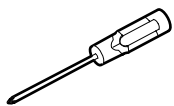
If you have damaged or missing components, call the **Customer Helpline: 01709 534123** Please turn to back page for important information when contacting Customer Helpline.

Please check you have all the fittings listed below

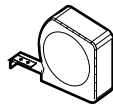
Note: The quantities below are the correct amount to complete the assembly, In some case more fittings may be supplied than are required.

A  Large cam x 14 Code 760001103	B  Metal dowel x 18 Code 760003004	C  Small cam x 4 Code 760003005
D  20mm bolt x 2 Code 700002006	E  Knock-in Trim x 2 Code 684xx3040	F  Wooden dowel x 2 Code 770001006
G  Assembly Screw x2 Code 690001075	H  9mm bolt x 2 Code 690001078	I  Handle x 1 Code 653003512
J  8mm screw x 4 Code 700003510	K  Runner x 2 Code 760001040	

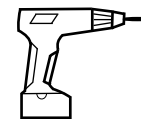
Tools required



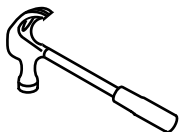
Cross headed screwdriver
(medium & large)



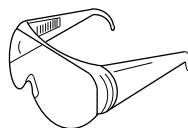
Tape Measure



Drill

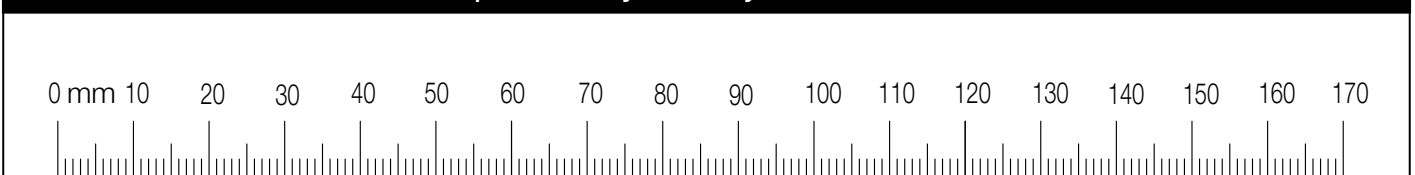


Small Hammer

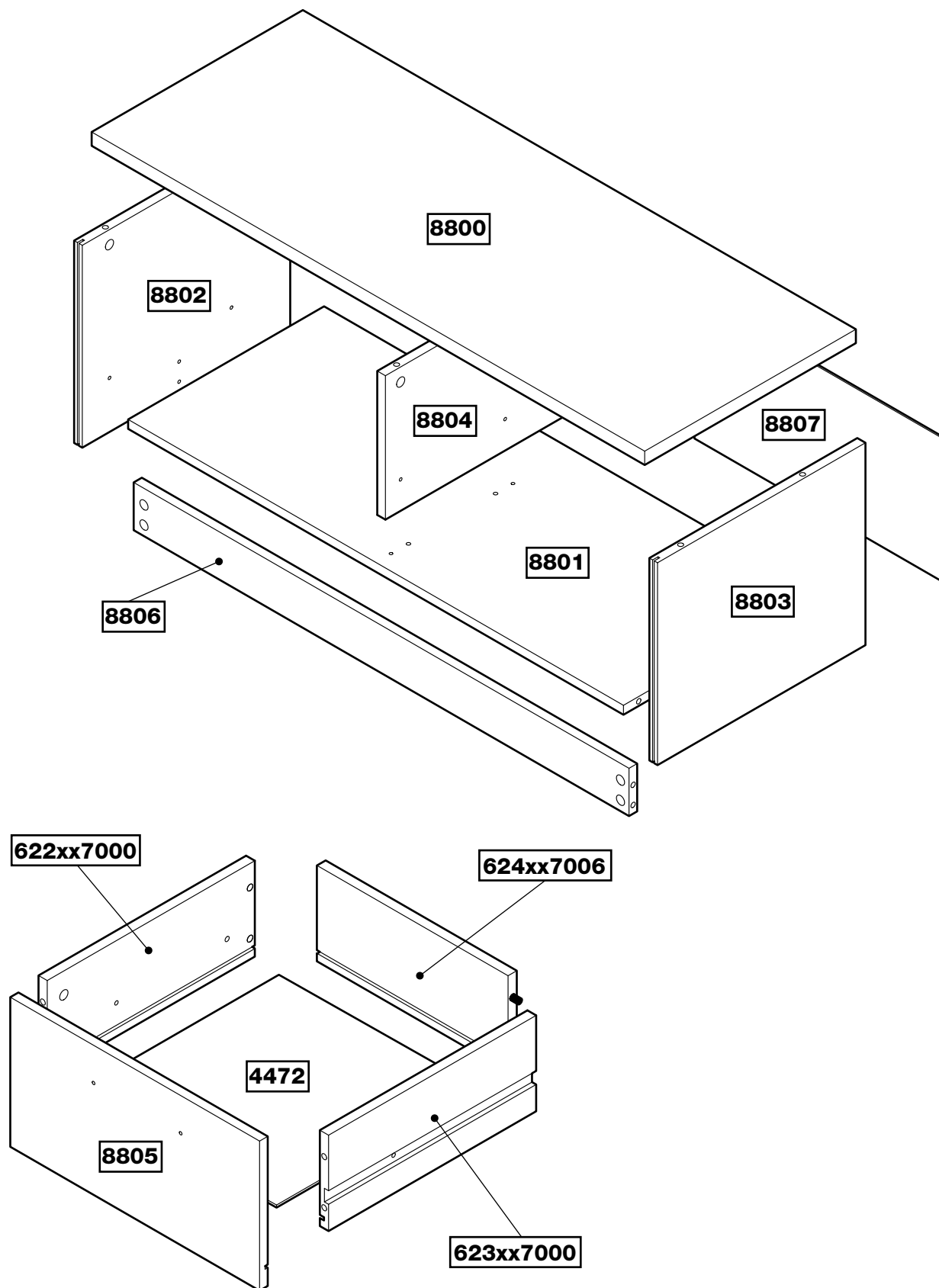


Eye protection
(when using a
hammer)

Ruler - Use this ruler to help correctly identify the screws



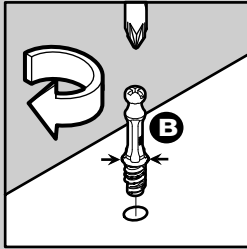
Exploded View



Assembly Instructions

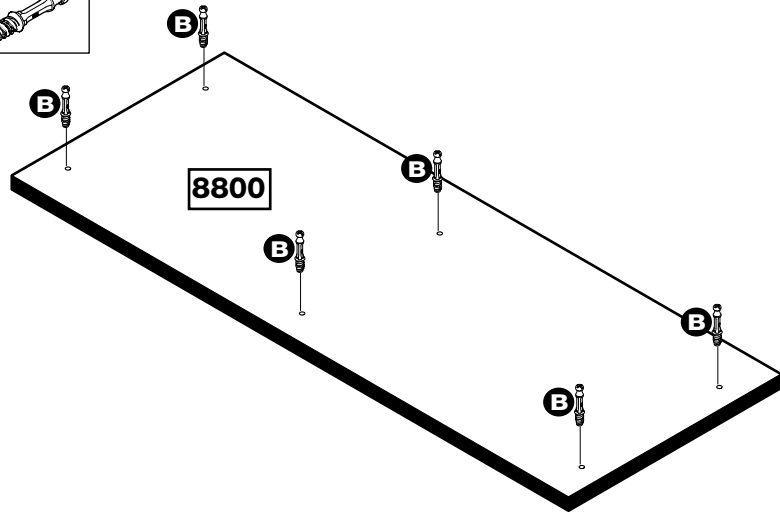
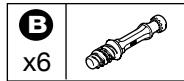
Step 1

Fitting dowels to top panel.



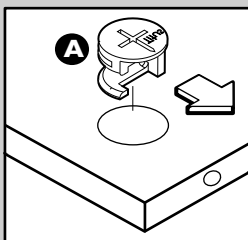
Note: Insert metal dowels **B** as far as shown by arrows. **Do not over tighten.**

Fittings you will need for this step:



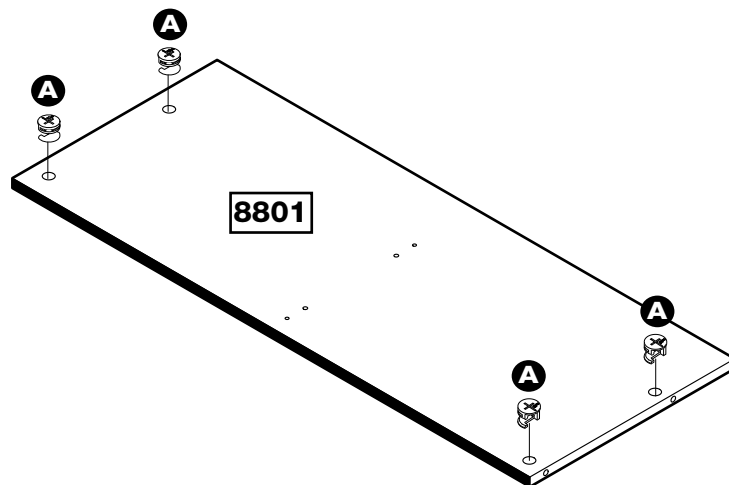
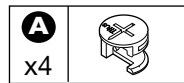
Step 2

Fitting cams to the bottom panel.



Note: Ensure cam arrow points towards the edge with hole.

Fittings you will need for this step:

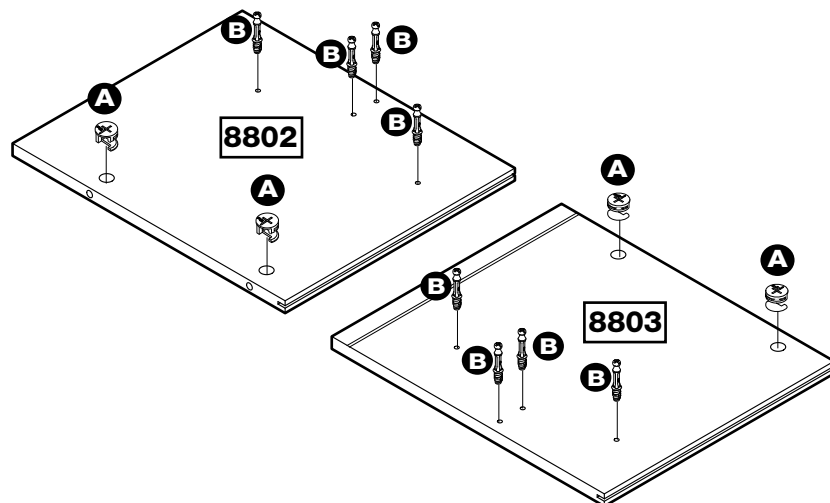
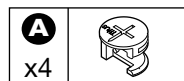


Step 3

Fitting cams and dowels to end panels.

Fit the cams and dowels to the end panels as shown.

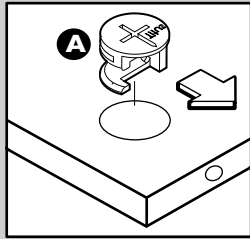
Fittings you will need for this step:



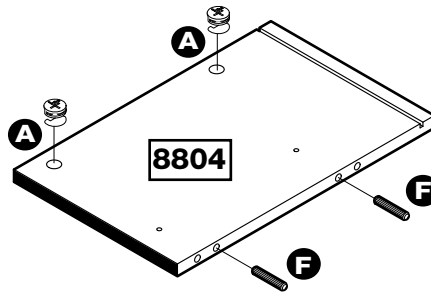
Assembly Instructions

Step 4

Fitting cams & dowels to the divider.



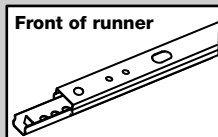
Note: Ensure cam arrow points towards the edge with hole.



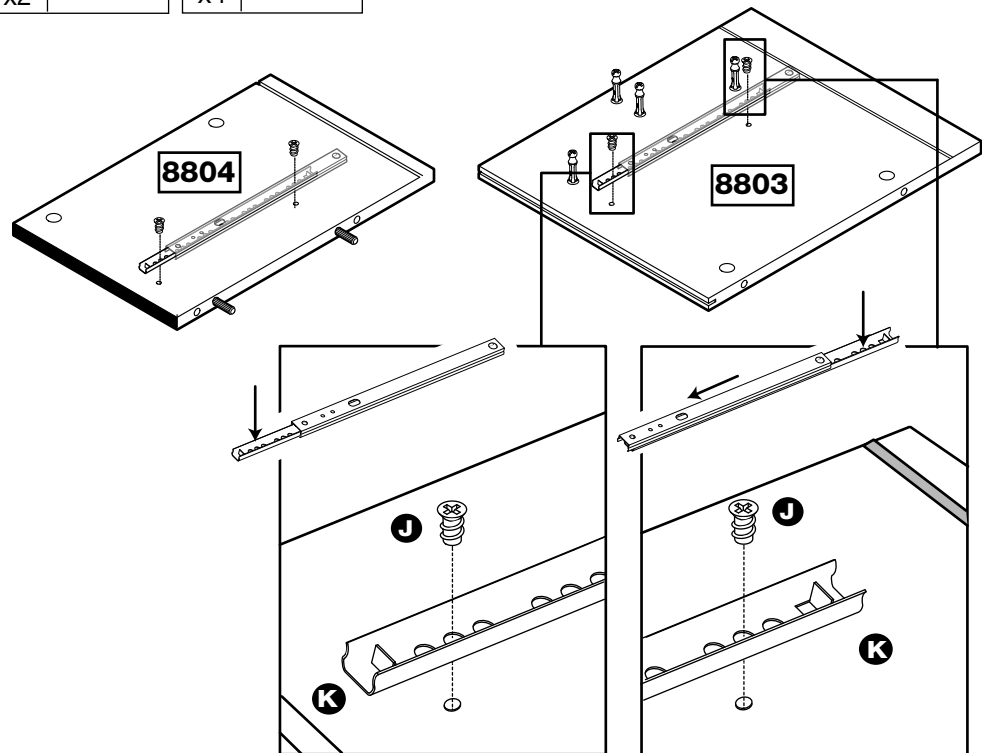
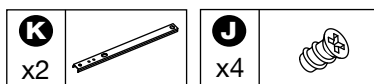
Step 5

Attaching runners to right end and divider

Position the runner so that the second hole from the front of the runner lines up with the pre-drilled hole nearest to the edge of the panel. Use screws **J** to secure the runner.

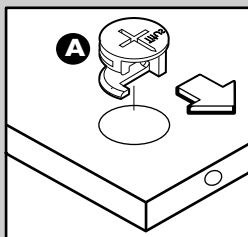


Slide the runner forward revealing the back of the runner. The second hole to the back of the runner should now line up with the second pre-drilled hole.

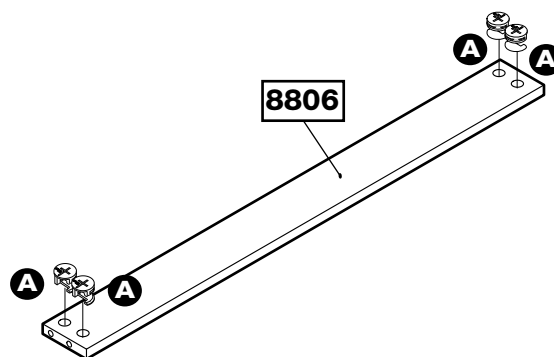
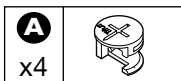


Step 6

Fitting cams to the plinth panel.



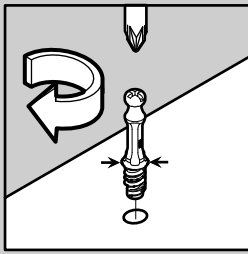
Note: Ensure cam arrow points towards the edge with hole.



Assembly Instructions

Step 7

Drawer assembly



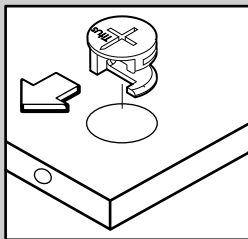
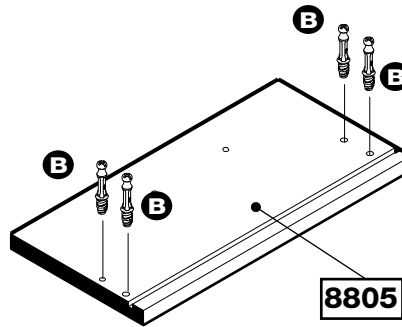
a: Insert dowels into drawer front.

Note: Insert metal dowels as far as shown by arrows.

Do not over tighten.

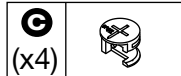


A

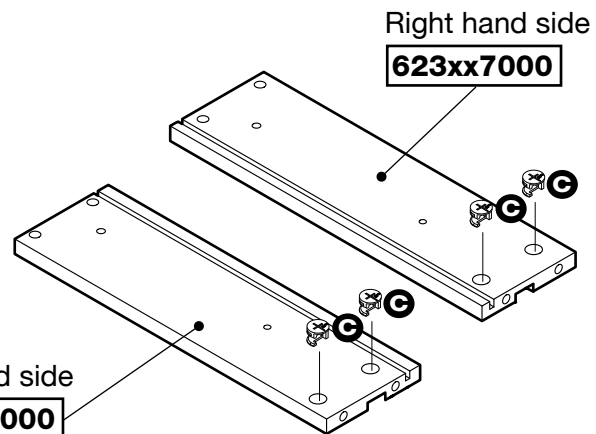


b: Insert small cams into left **622xx7000** and right **623xx7000** drawer sides.

Note: Ensure cam arrow points towards the edge with hole.

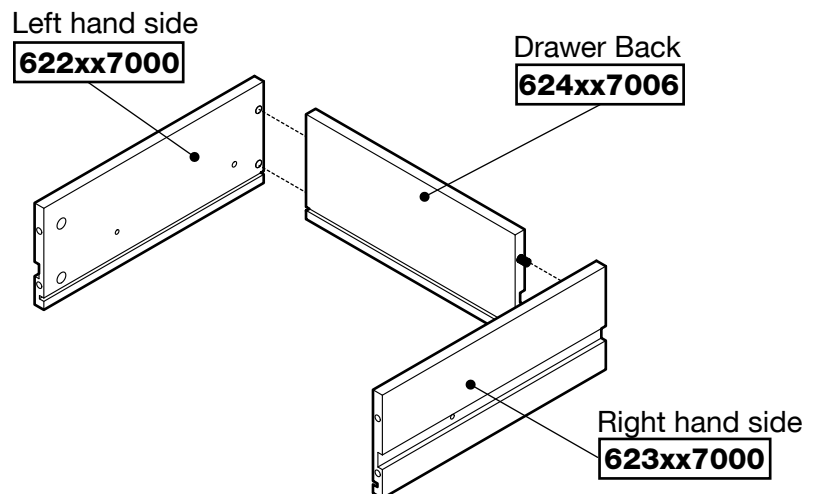


B



c: Insert wooden dowels in drawer back **624xx7006** into holes in left **622xx7000** right **623xx7000** hand drawer sides.

C



Continued on next page.

Assembly Instructions

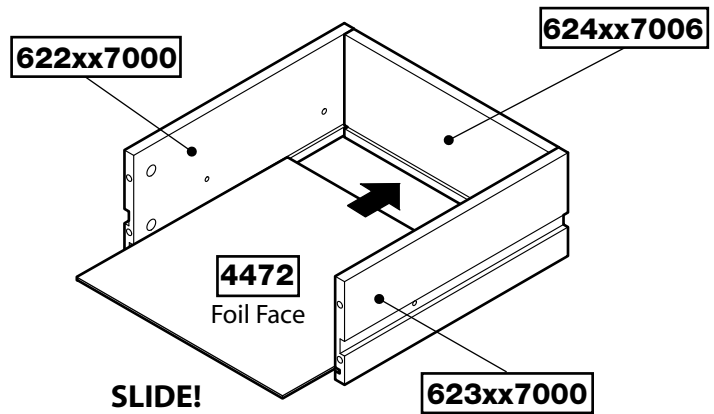
Step 7 - Continued

Drawer assembly Continued...

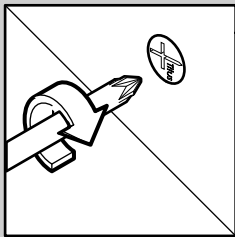
d: Slide drawer bottom into grooves in the left and right drawer sides and the drawer back.

Ensure foil on the drawer bottom is facing upwards.

D

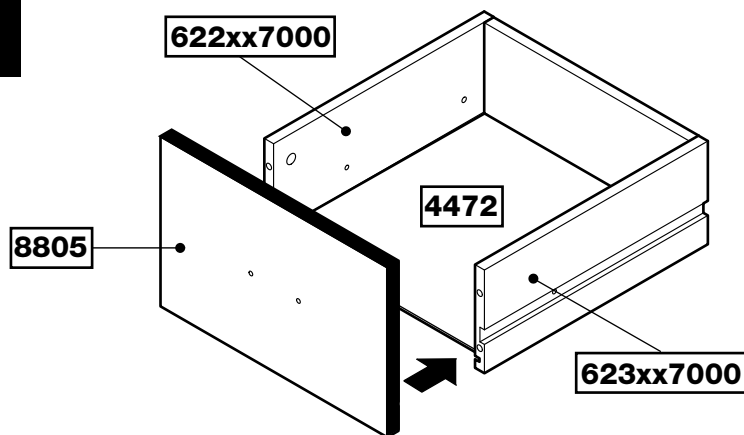


e: Locate the metal dowels (already inserted) in the drawer front into the small cams in the left and right hand drawer sides.

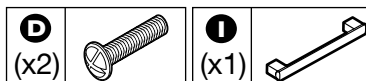


Turn cam 180 degrees to lock

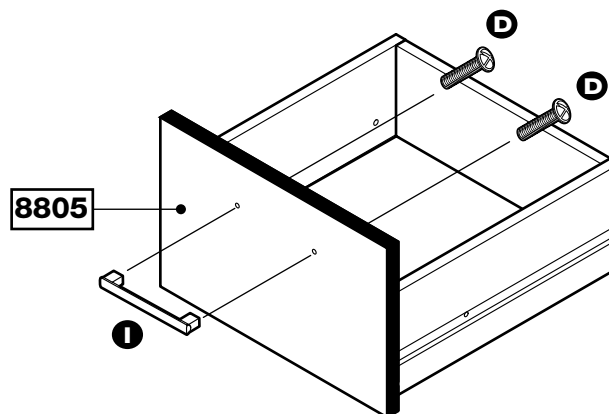
E



f: Secure handles to the drawer front.



F

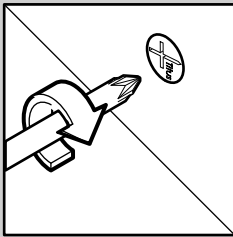


Assembly Instructions

Step 9

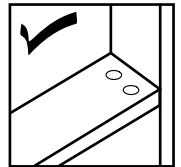
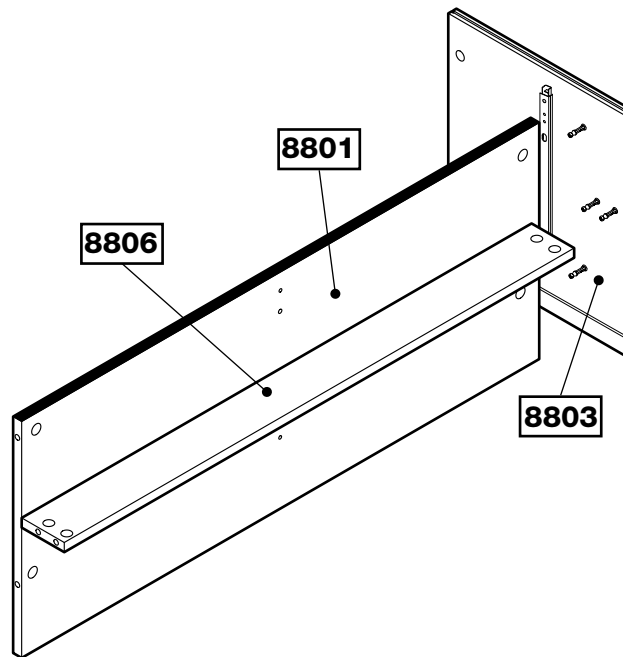
Attach bottom and plinth to right end.

Connect the cams in the bottom panel **8801** and plinth panel **8806** to the right hand end panel **8803**.

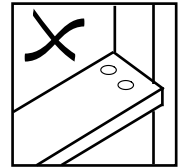


CAUTION!

An additional person will be required to hold the plinth for support.



Ensure plinth sits flush.

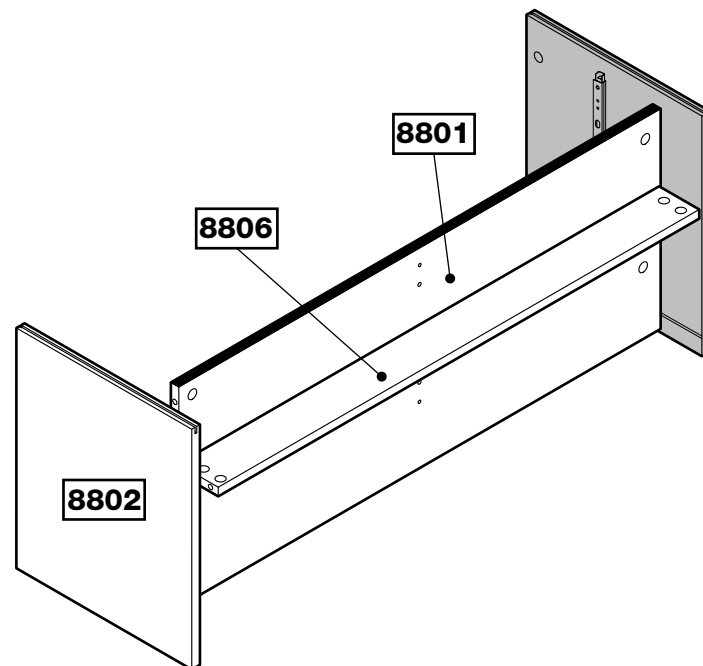
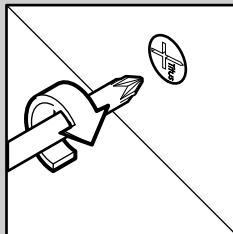


Ensure plinth is not overhanging.

Step 10

Turn unit so the finished edge is facing the floor.

Connect the cams in the bottom panel **8801** and plinth panel **8806** to the left hand end panel **8802**.



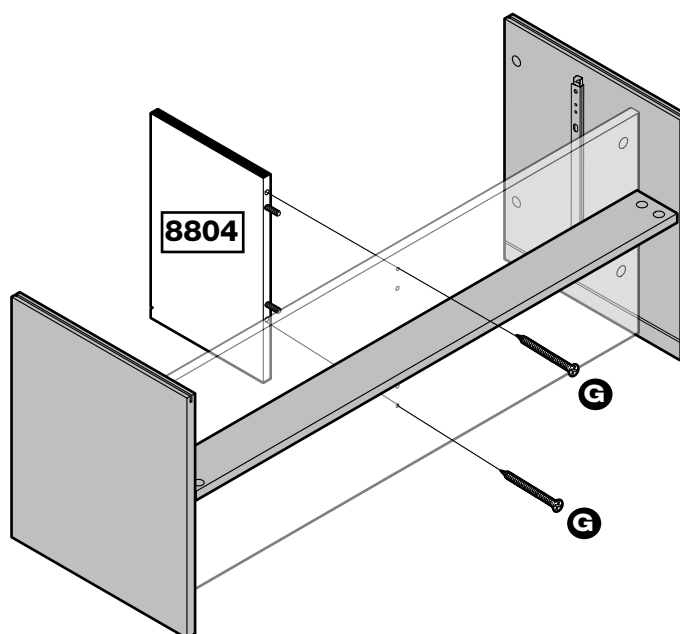
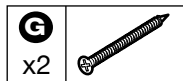
Assembly Instructions

Step 11

Attach the division

Line the wooden dowels already inserted in the division panel **8804** with the center holes in the bottom panel.

Fix with screws **G**



Step 12

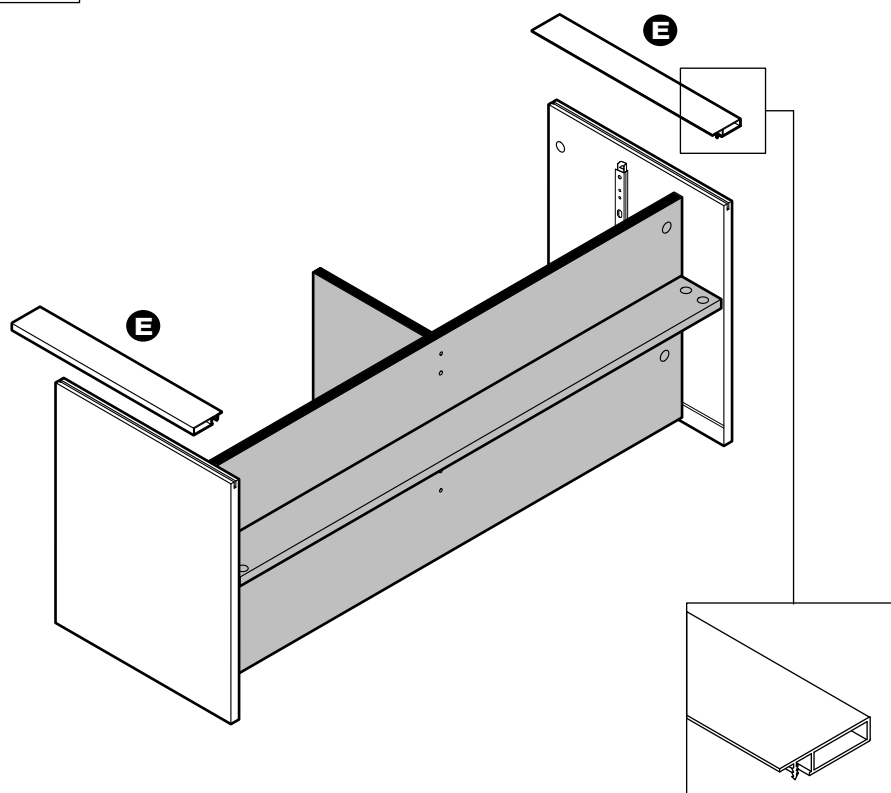
Attaching the trims

Locate the notch on the trim into the grooves in the end panels.

Ensure the trims are positioned flush with the bottom of the unit.

To insert trims use a hammer, place a cardboard packing piece between the hammer and the trims to protect the trims.

Ensure that the trims are inserted fully.

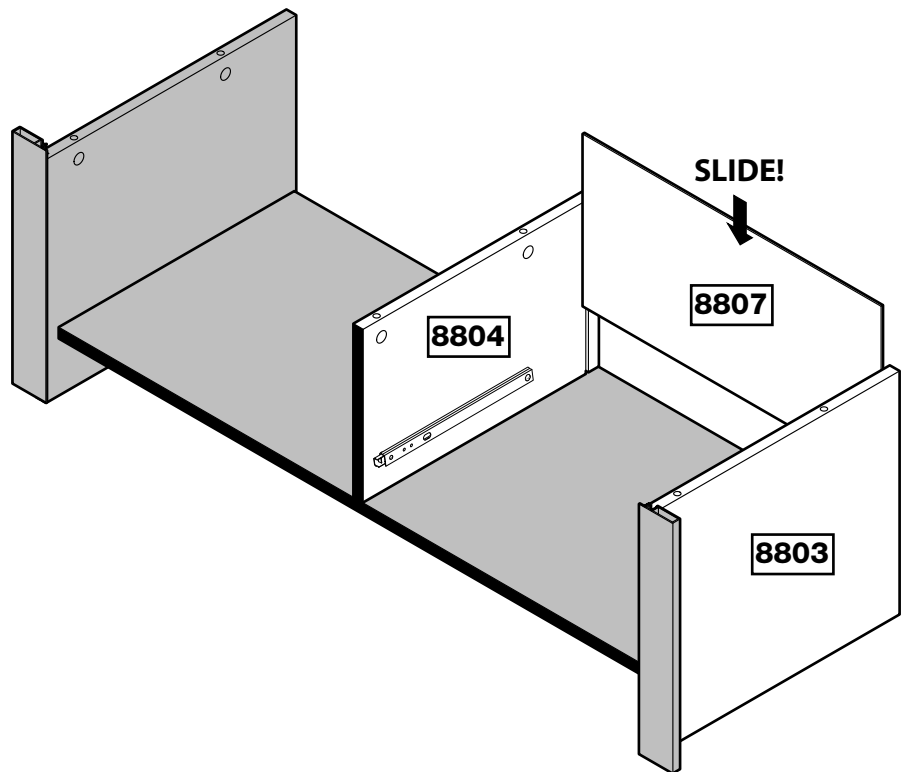


Assembly Instructions

Step 13

Slide in backpanel

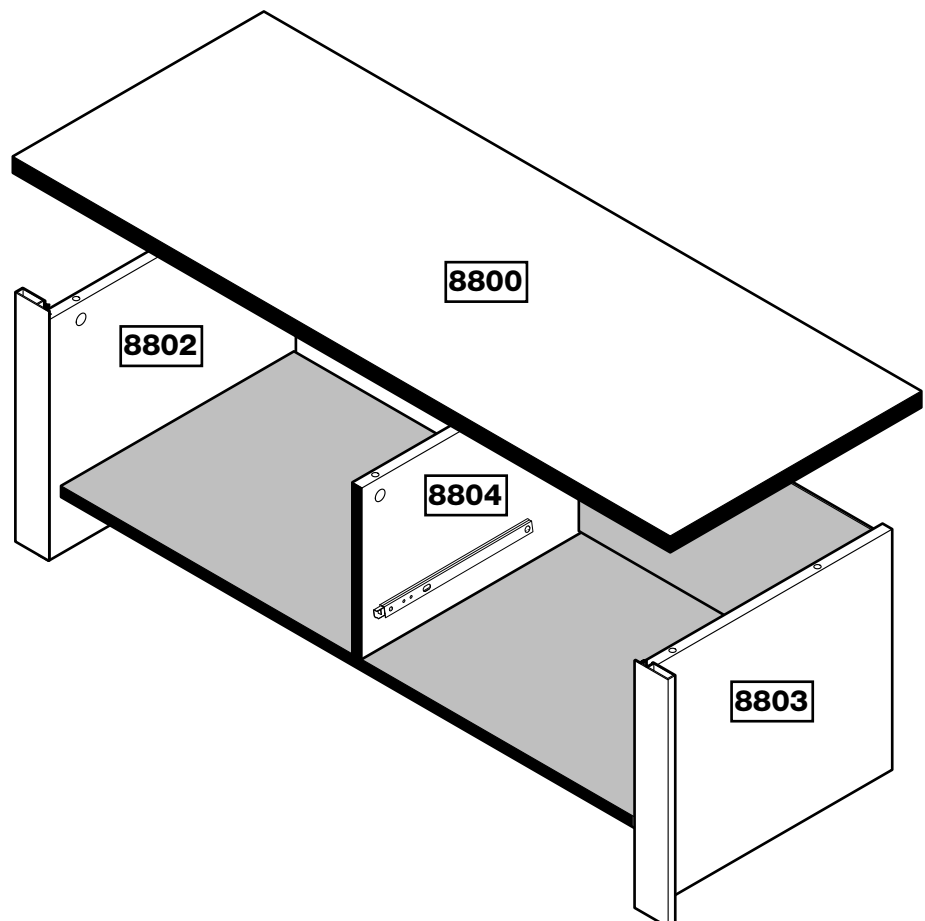
Slide the back panel into the grooves in the division and right hand end panel.



Step 14

Attach top panel

Connect the dowels in the top panel to the cams in the end panels and the division panel.

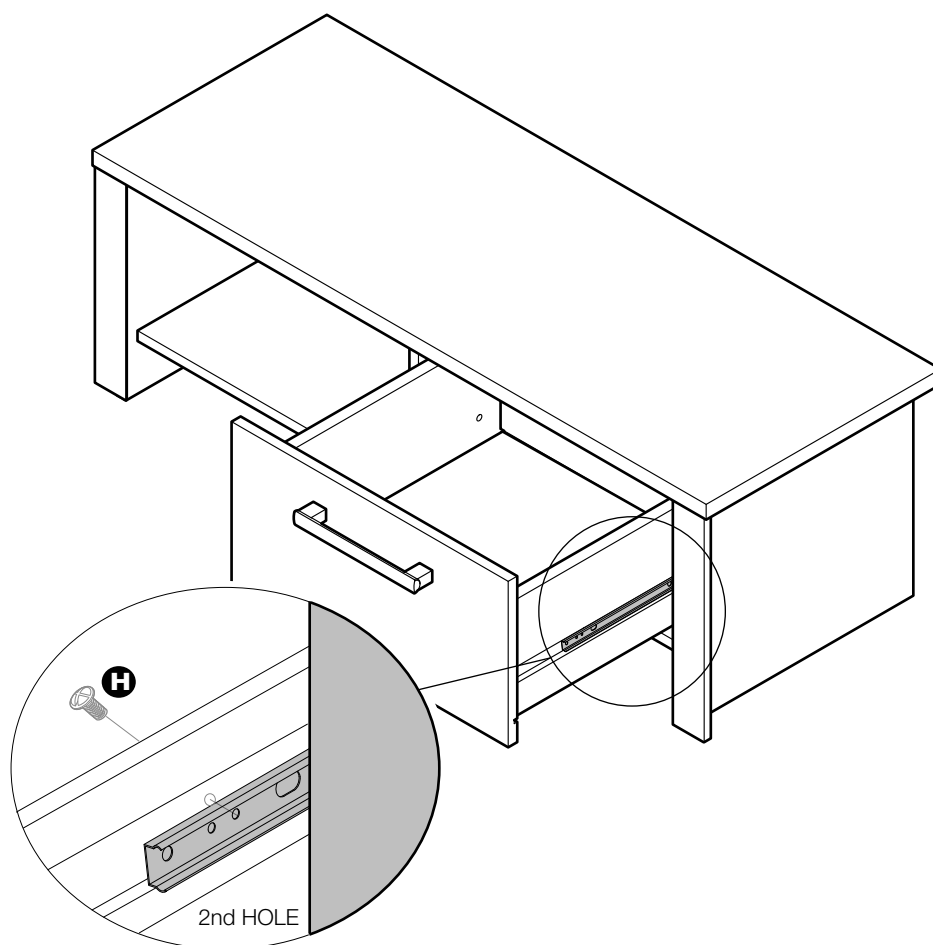


Assembly Instructions

Step 15

Locate drawers

For this step we recommend you follow the helpful hints page.



Assembly Instructions

Step 26

Locate drawers helpful hints

a: Pull sliding part of drawer runners **K** out so they are fully extended.

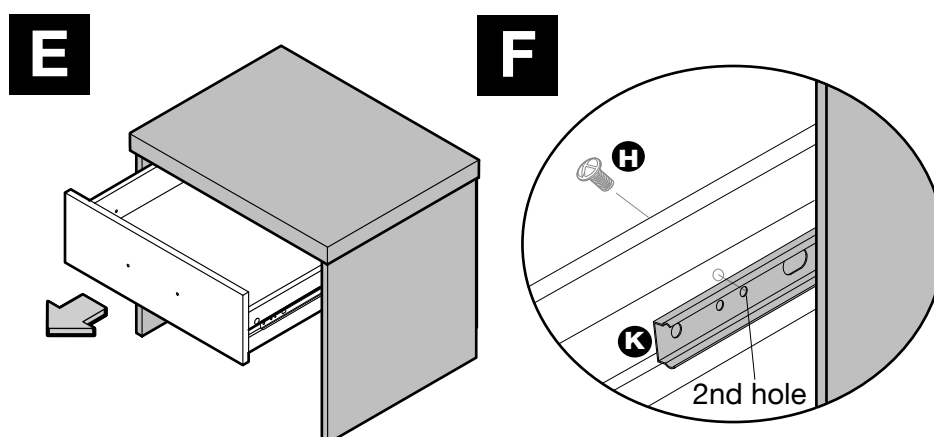
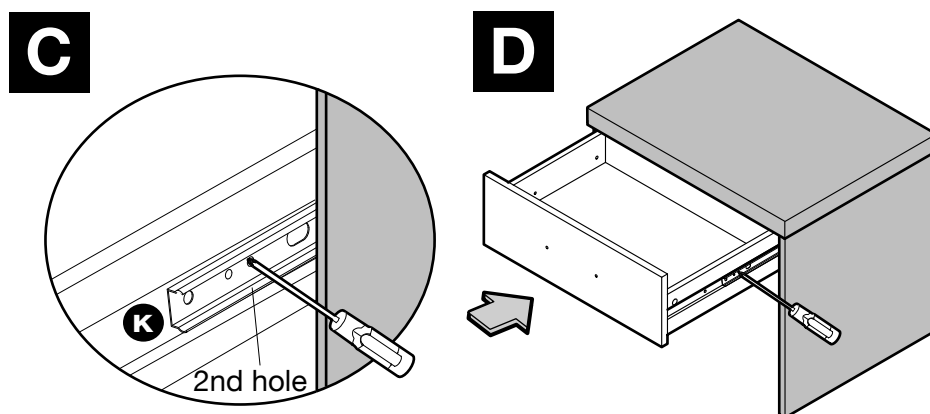
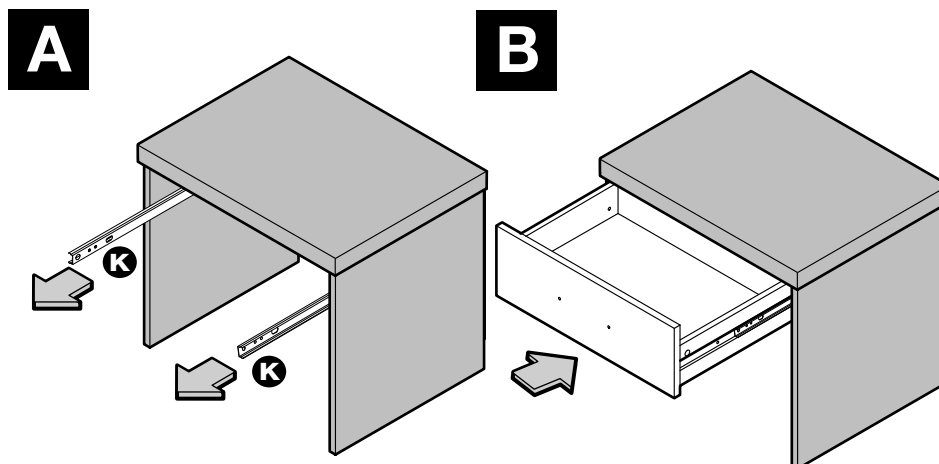
b: Locate drawer onto runners.

c: Locate screwdriver into second threaded hole in drawer runner **K**.

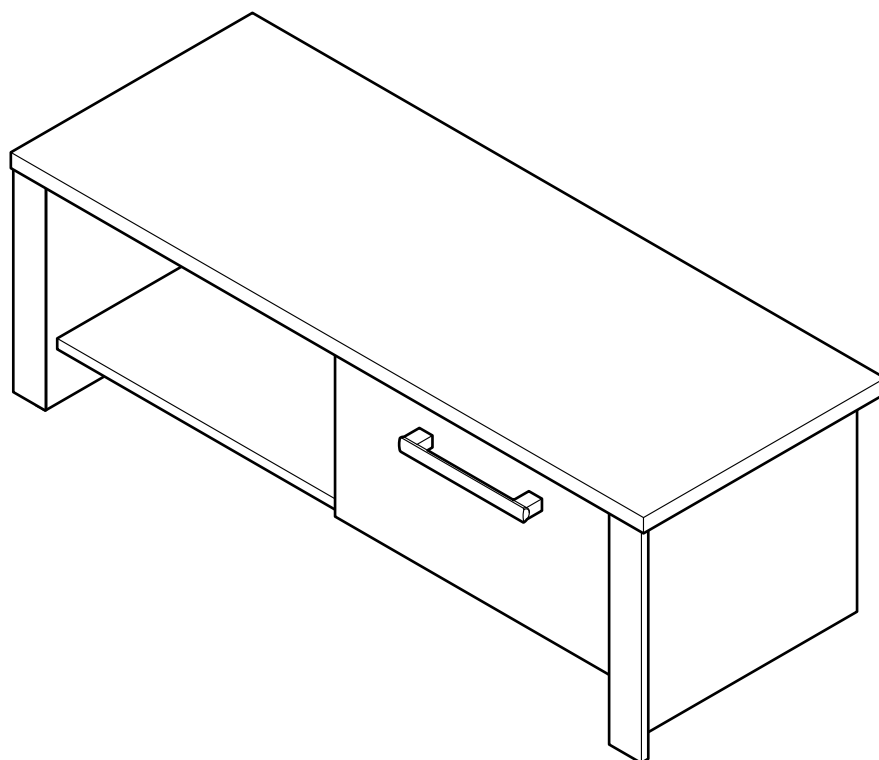
d: Keeping screwdriver in place push the drawer closed. The screwdriver will push against the end panel and extend the drawer runner **K**.

e: Pull drawer out slowly and line the hole in the drawer side with the 2nd threaded hole in the runner **K**. Now insert bolts **H** through the drawer side and into threaded hole in runner **K**.

f: Now insert bolts **H** through the drawer side and into threaded hole in runner **K**.



Congratulations! Your unit is complete.



Important Information

If you need help or have damaged or missing parts, call the **Customer Helpline**:

01709 534123 8am - 4.30pm (Monday to Thursday)
8am - 2.30pm (Fridays)

(by contacting the customer service line your statutory rights are not affected)

Please have the following information to hand:

- >> Unit Description
- >> Product Code
- >> Product Colour
- >> Place of Purchase
- >> Catalogue Ref. No.
- >> Item Code
- >> Assembly Instructions

We do have an answer machine should you contact us out of office hours, so in addition to the above information could you leave your name, address, daytime telephone number and the nature of your call on the answerphone. All calls will be actioned asap.

You can also e-mail your requests to us at:

customer.helpdesk@addspacefl.co.uk

Alternatively, you can write to us at: **Customer Service Department, Addspace Furniture Limited, Braithwell Way, Hellaby Industrial Estate, Hellaby, Rotherham, South Yorkshire, S66 8QY.**

Notes