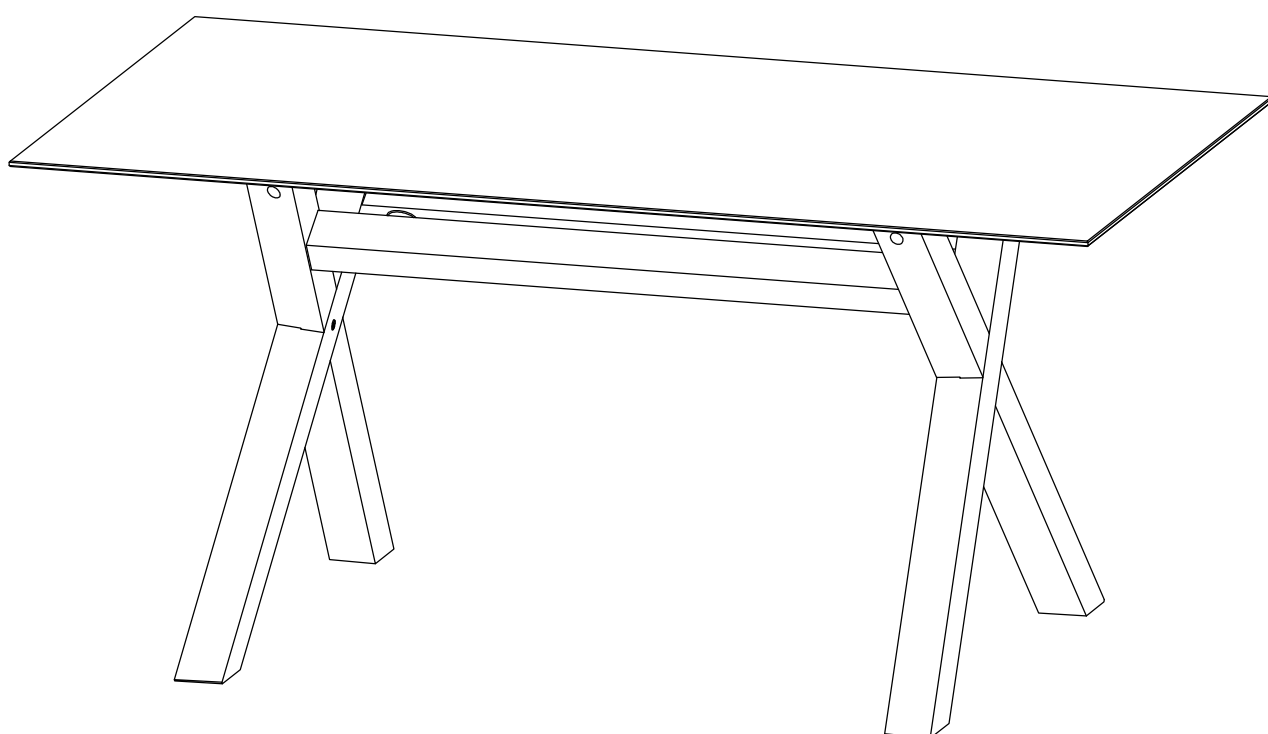


Hartley Glass Dining Table

Assembly Instructions - Please keep for future reference

331/1538



Dimensions

Width - 160cm
Depth - 90cm
Height - 75cm

Important – Please read these instructions fully before starting assembly

If you need help or have damaged or missing parts, call the **Customer Helpline:**
Argos = 0345 6400800



Safety and Care Advice

Important – Please read these instructions fully before starting assembly

- Check you have all the components and tools listed on the following pages.
- Remove all fittings from the plastic bags and separate them into their groups.
- Keep children and animals away from the work area, small parts could choke if swallowed.
- Make sure you have enough space to layout the parts before starting.

- During assembly do not stand or put weight on the product, this could cause damage.
- Assemble the item as close to its final position (in the same room) as possible.
- Assemble on a soft level surface to avoid damaging the unit or your floor.
- Parts of the assembly will be easier with 2 people.



- To reduce the likelihood of damaging your product please ensure that your power drill is set on a low torque setting.

Care and maintenance

- Only clean using a damp cloth and mild detergent, do not use bleach or abrasive cleaners.
- From time to time check that there are no loose screws on this unit.
- This product should not be discarded with household waste. Take to your local authority waste disposal centre.

Handy Hints

- Assemble all parts and bolts loosely during assembly, only once the product is complete should you fully tighten the bolts
- Regularly check and ensure that all bolts and fittings are tightend properly.

Glass Safty

- Keep these instruction for future reference.
- Imported by:
Argos Ltd.
489-499 Avebury Boulevard.
Saxon Gate West.
Central Milton Keynes.
MK9 2NW
- If the glass is chipped or broken, stop using the product and consult the Manufacturer or Supplier.
- Batch No: **545962** (按订单PO号)
- Date of Manufacture: **Nov.2014** (按出货年月)
- Type of glass used: 8mm toughened glass

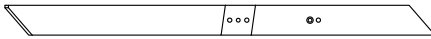
Warning:

- (a) Do not place very hot or very cold items on the glass surface(s) unless adequately thick table mats are used to prevent such items from coming into contact with the glass.
- (b) Do not sit or stand upon the glass surface(s).
- (c) Do not use the glass as a chopping surface. Do not strike the glass with hard or pointed items.
- (d) When cleaning glass panels use a damp cloth or leather with washing up liquid or soft soap if necessary, do not use washing powders or any other substance containing abrasives since these substances scratch glass.

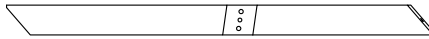
Components - Panels

If you have damaged or missing components, call the Customer Helpline: Argos = 0345 6400800

Please check you have all the panels listed below



1 Table leg x 2
(104.6 x 7cm)



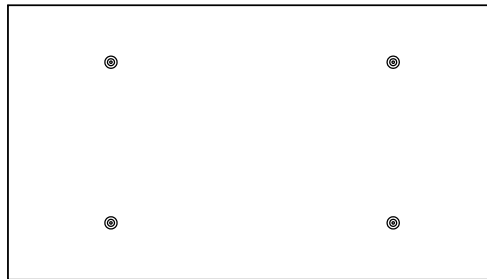
2 Table leg x 2
(104.6 x 7cm)



3 Support bar
(87.7 x 6.2cm)



4 Support bar
(87.7 x 6.2cm)






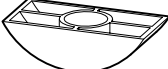
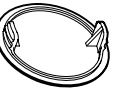

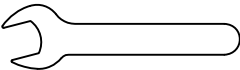



5 Table top
(160 x 90cm)

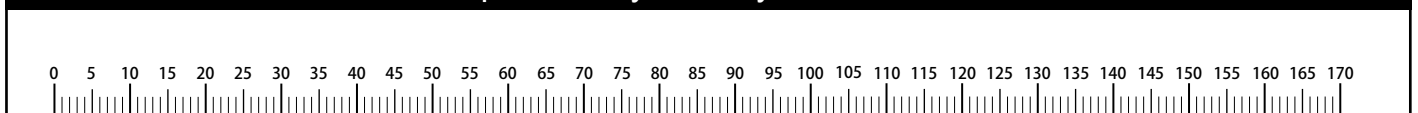
Components - Fittings

Please check you have all the fittings listed below

Note: The quantities below are the correct amount to complete the assembly. In some cases more fittings may be supplied than are required.

<p>A </p> <p>40mm Bolt x 4</p>	<p>B </p> <p>50mm Bolt x 2</p>	<p>C </p> <p>80mm Screw x 4</p>
<p>D </p> <p>Plain washer x 8</p>	<p>E </p> <p>Nut x 4</p>	<p>F </p> <p>Connector x 4</p>
<p>G </p> <p>Cap x 4</p>	<p>H </p> <p>Wooden dowel X 8</p>	<p>I </p> <p>Wrench X 1</p>
<p>J </p> <p>Hex key X 1</p>		

Ruler - Use this ruler to help correctly identify the screws



The bolts length is measured from the head to the point (40mm bolt shown).

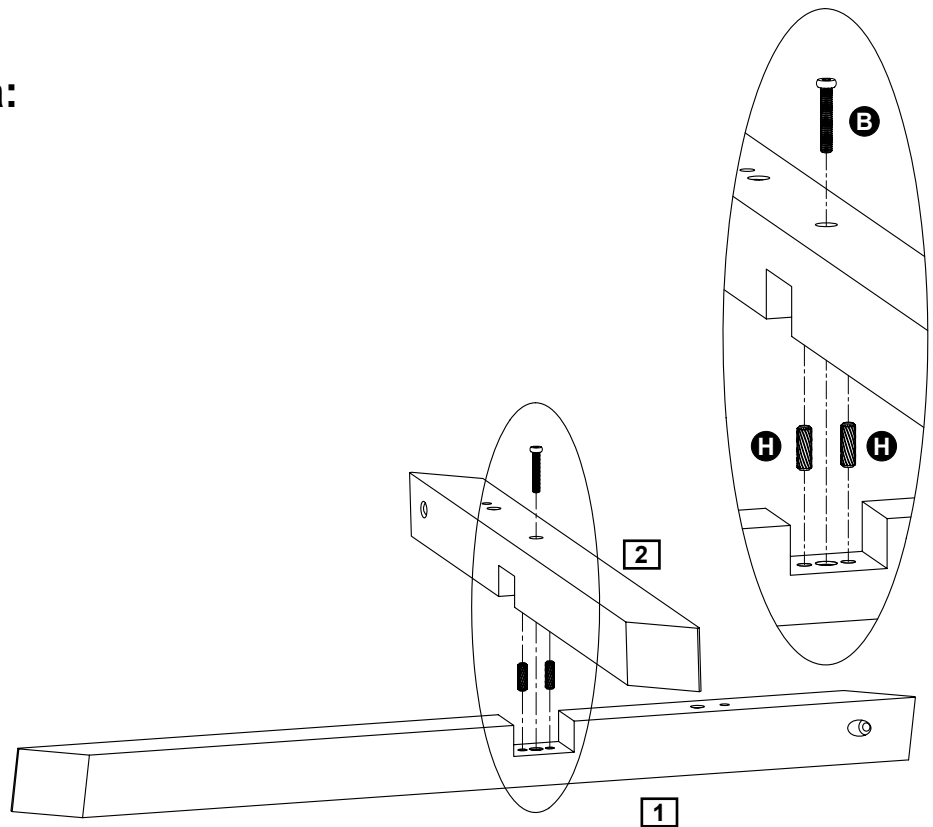
Assembly Instructions

Step 1

Assemble table legs

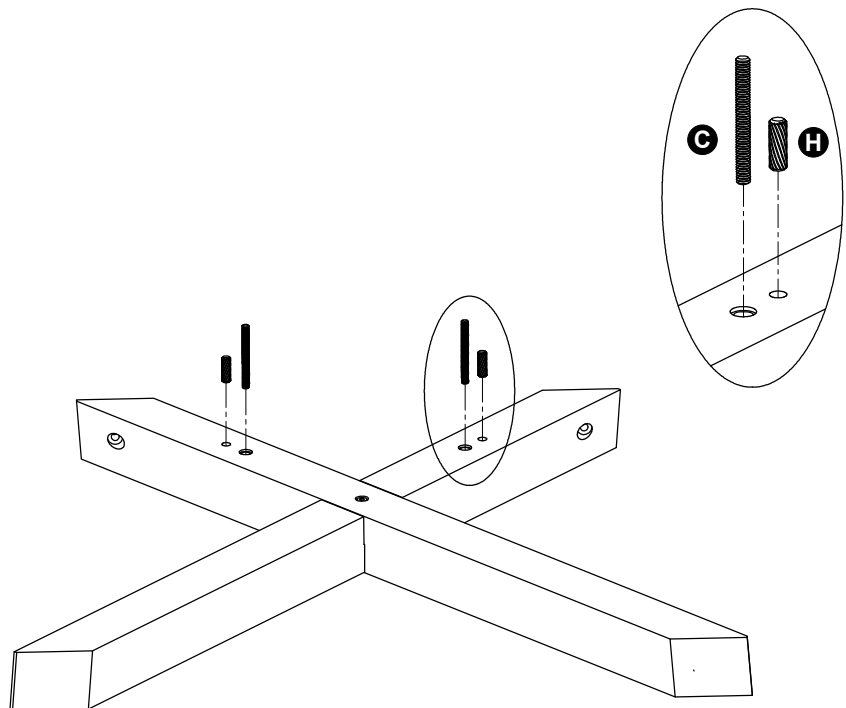
a: Fix table leg **1** and **2** by using bolt **B**, wooden dowels **H**.

a:



b: Fix screws **C** and insert wooden dowels **H** into table legs.

b:



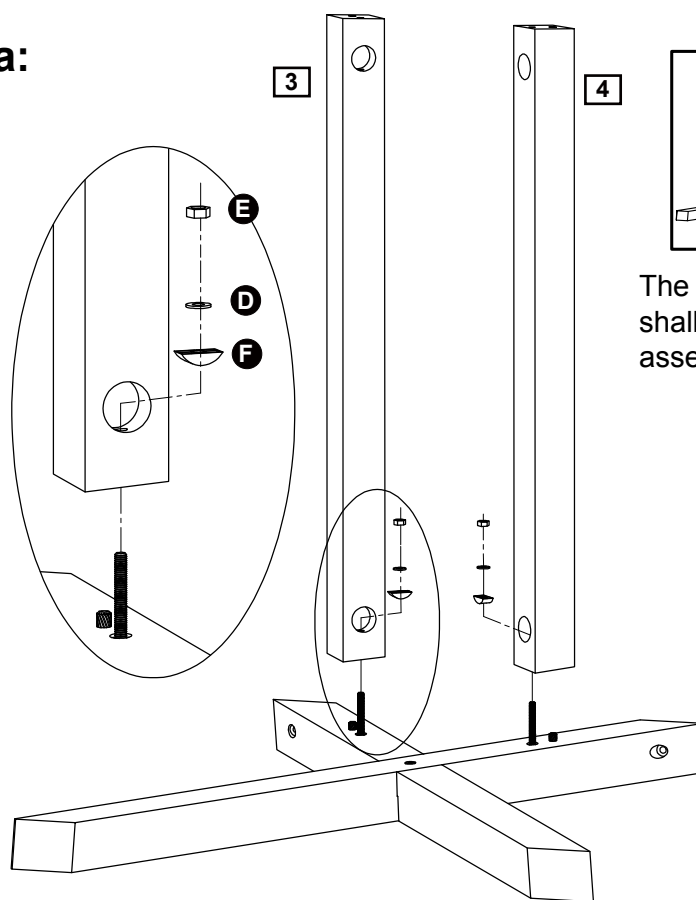
Assembly Instructions

Step 2

Assemble support bars

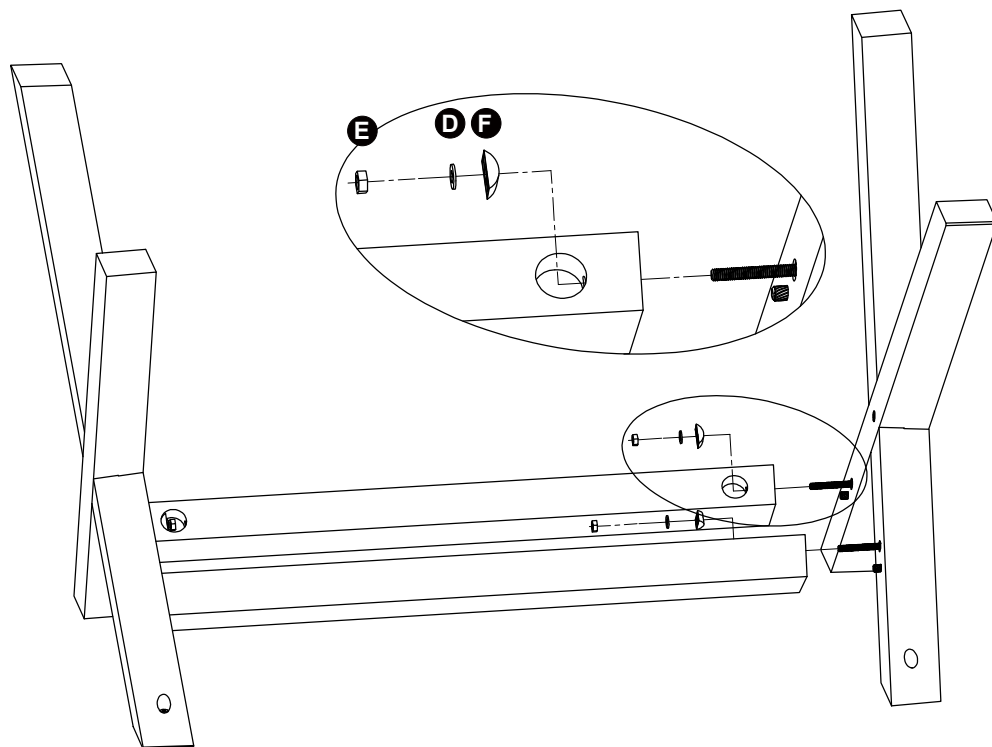
a: Attach support bars **3** and **4** to table legs, then fix with connectors **F**, plain washers **D** and nuts **E**.

a:



b: Fix another leg frame with connectors **F**, plain washers **D** and nuts **E**.

b:



Important note: Do not fully tighten bolts at this stage.

Assembly Instructions

Step 3

Assemble table top

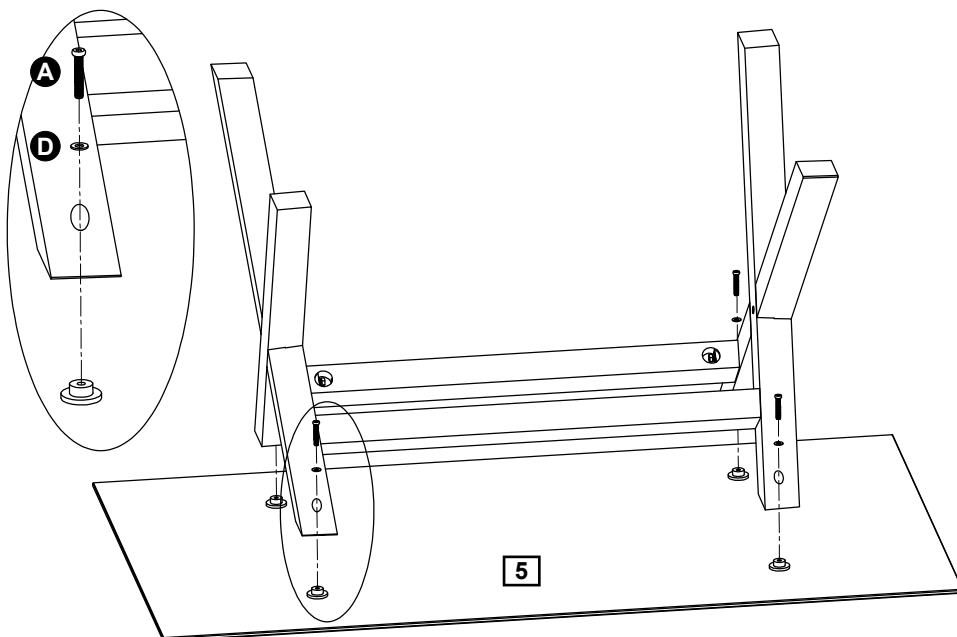
Two people are needed here.

Place table top **5** upside down on a clean protected surface.

Fix the assembled unit frame onto table top using bolts **A**, plain washers **D**.



Important note: After all the parts are positioned, you can now fully tighten all bolts fixed on previous steps.



Step 4

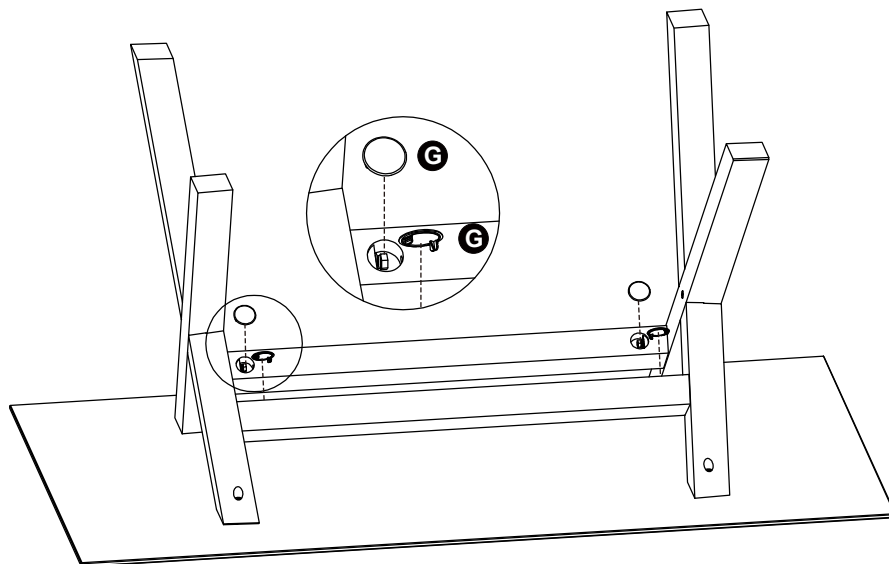
Assemble cap

Cover the holes by using caps **G** as shown.

Turn the table upright.

Remove the plastic film on table top.

Assemble is complete



If you need help or have damaged or missing parts, call the **Customer Helpline:**
Argos = 0345 6400800

Dining Chair

Assembly Instructions - Please keep for future reference

603/4135

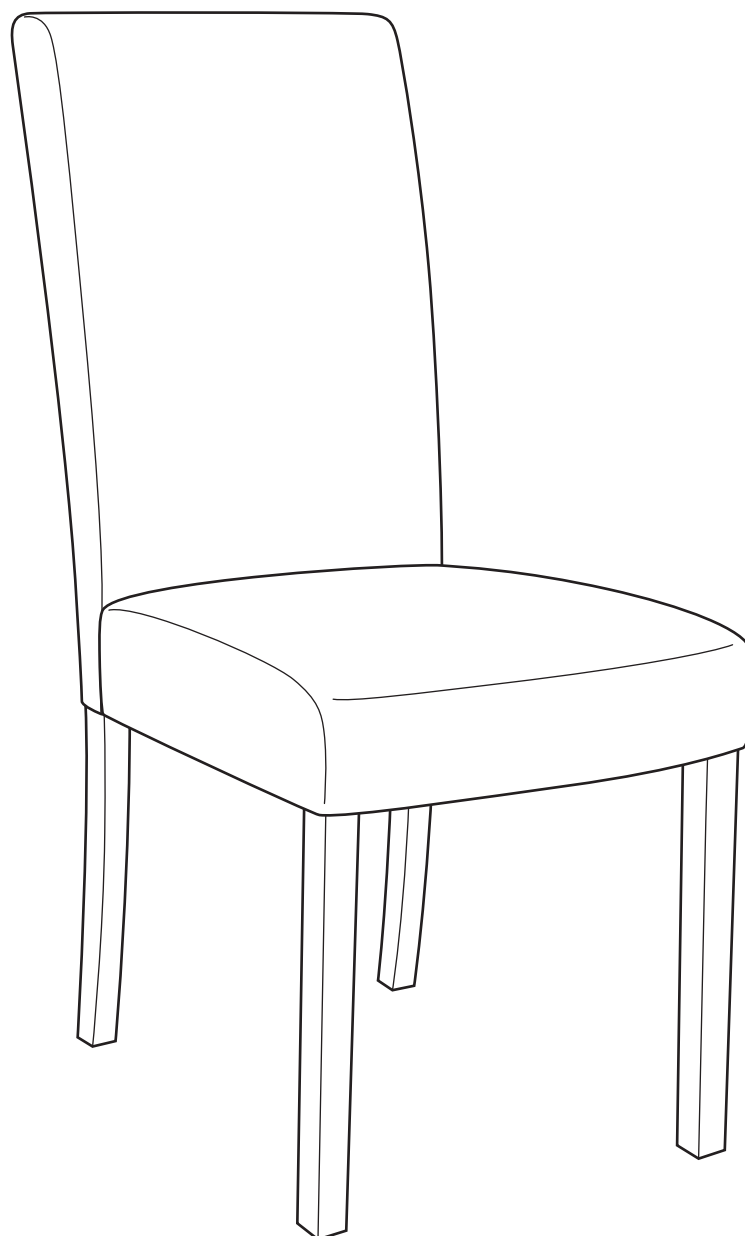
603/2333

603/2900

603/0452

602/9834

603/2364



Dimensions

Width - 44cm

Depth - 54cm

Height - 92cm

Important - Please read these instructions fully before starting assembly

If you need help or have damaged or missing parts, call the **Customer Helpline: 08456 400800**



Safety and Care Advice

Important - Please read these instructions fully before starting assembly

- Assemble this product on a flat surface.
- Assemble all parts loosely before tightening any bolts.
- Do not discard any of the packaging until you have checked that you have all the parts and the pack of fittings.

- Discard all extra fittings and keep fittings out of reach of children.
- Unit weight: 4.9kgs.
- Maximum safe weight of user: 110kgs.
- Retain Assembly Instructions for future reference.



- We do not recommend the use of power drill/drivers **for inserting screws**, as this could damage the unit. Only use hand screwdrivers.
- Dispose of all packaging carefully and responsibly.

Warnings

- This product should only be used on firm, level ground.
- Make sure the legs remain in contact with the ground.
- Do not stand on the product.

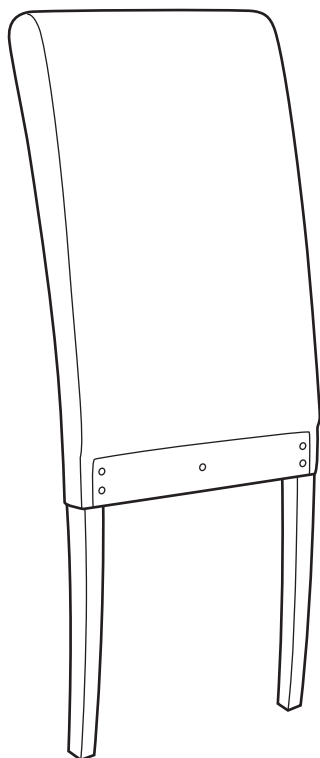
Care and maintenance

- Please clean the unit surface using either damp (not wet) cloth and a mild domestic soap solution or by using an appropriate polish.
- Do not use any abrasive materials when cleaning.
- From time to time check that there are no loose bolts on this unit.

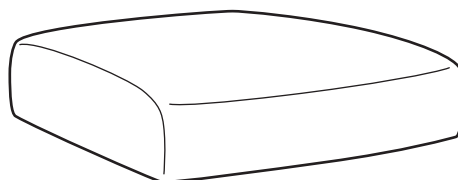
Components - Parts

If you have damaged or missing components, call the **Customer Helpline: 08456 400800**

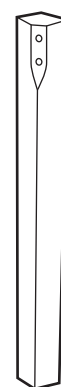
Please check you have all the parts listed below



1 Backrest
(36 x 10 x 92cm)



2 Seat
(43.5 x 41 x 9.5cm)

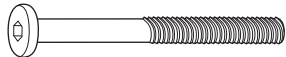
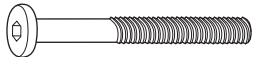

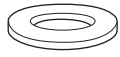



3 Leg x 2
(3 x 3 x 43cm)

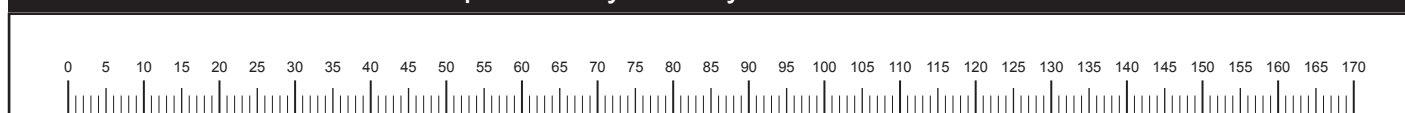
Components - Fittings

Please check you have all the fittings listed below

Note: The quantities below are the correct amount to complete the assembly. In some cases more fittings may be supplied than are required.

<p>A </p> <p>M6 x 85mm Bolt x 4</p>	<p>B </p> <p>M6 x 55mm Bolt x 5</p>	<p>C </p> <p>Spring washer x 9</p>
<p>D </p> <p>Washer x 9</p>	<p>E </p> <p>Allen key x 1</p>	

Ruler - Use this ruler to help correctly identify the screws



Assembly Instructions

Step 1

Attaching legs

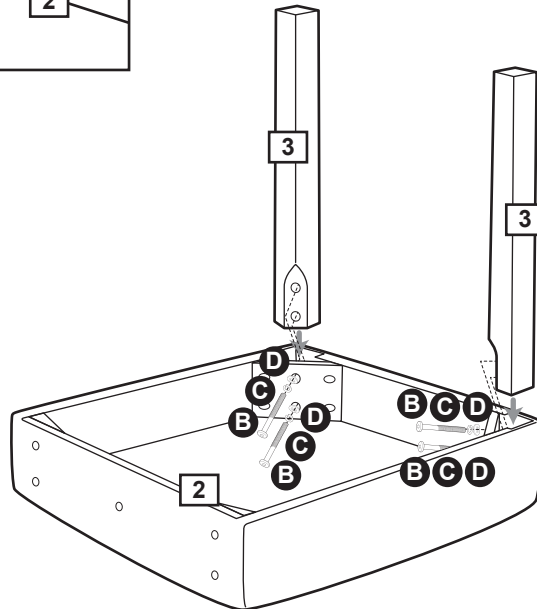
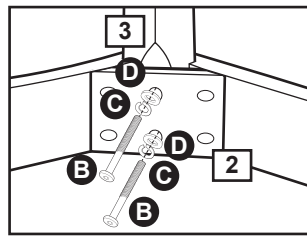
Place the seat **2** upside down on a flat protected surface.

Insert the legs **3** into the holes of the seat as shown and fix using bolts **B**, spring washer **C** and washers **D**. Tighten the bolts using allen key **E**.



Important:

Do not fully tighten bolts at this stage.



Step 2

Attaching backrest

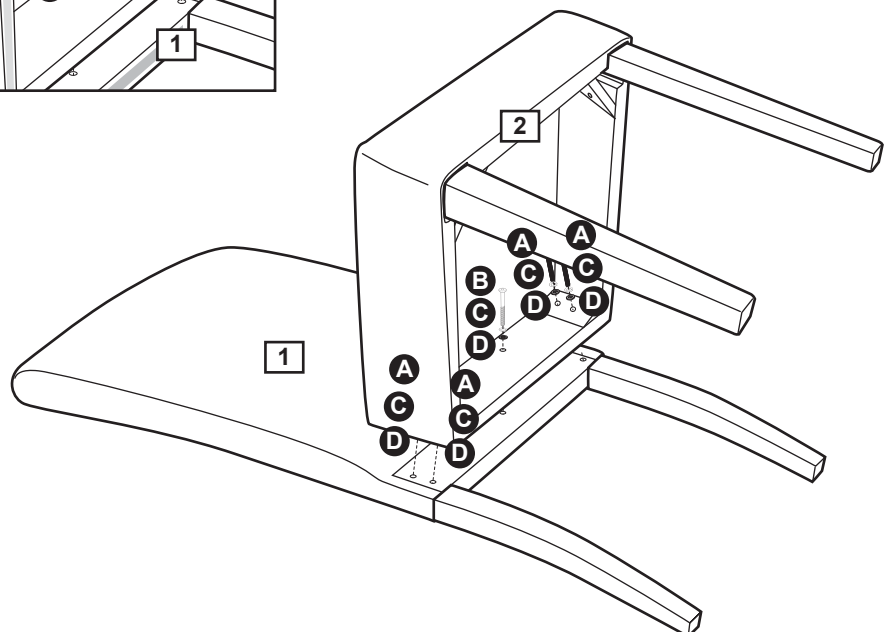
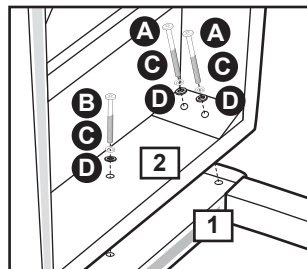
Place the backrest on a flat protected surface.

Position the seat **2** on the backrest **1** as shown and fix using bolts **A** & **B**, spring washers **C** and washers **D**. Tighten bolts using allen key **E**.



Important:

Do not fully tighten bolts at this stage.



Assembly Instructions

Step 3

Aligning & securing the legs

Carefully turn the chair upright and place on a flat surface.

a: Tighten all bolts using allen key **E**.

Note: This step is essential to prevent the chair from wobbling due to uneven legs.

b: Carefully sit on the chair and make adjustments to ensure the legs are flat even on the floor.

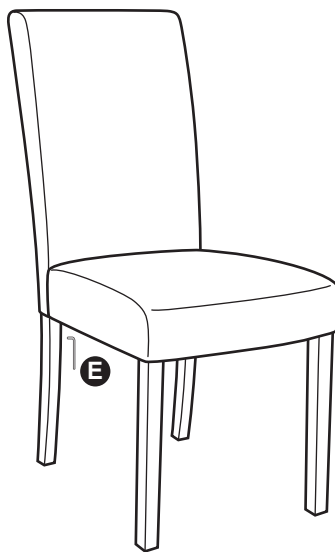
c: After the sitting test, re-tighten bolts again if any adjustment is needed.

Note: It is highly recommended to re-tighten all bolts after using the chair for 7 days.

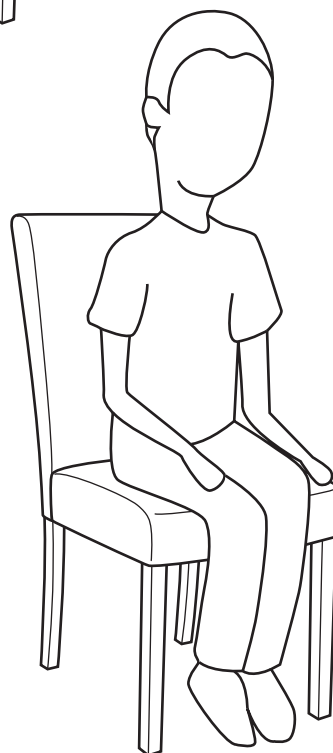
Note: Keep allen key to re-tighten bolts when required.

Assembly is complete.

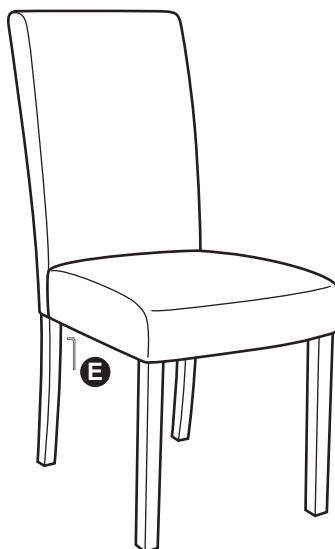
a:



b:



c:



If you need help or have damaged or missing parts, call the **Customer Helpline: 08456 400800**