

# Hygena Birkdale Wide Chest

Assembly Instructions - Please keep for future reference

426/5597

**hygena**



## Dimensions

Width - 110cm

Depth - 39cm

Height - 78cm

**Important - Please read these instructions fully before starting assembly**

If you need help or have damaged or missing parts, call the **Customer Helpline: 03456 400800**



# Safety and Care Advice

## Important - Please read these instructions fully before starting assembly

- Check you have all the components and tools listed on the following pages.
- Remove all fittings from the plastic bags and separate them into their groups.
- Keep children and animals away from the work area, small parts could choke if swallowed.
- Make sure you have enough space to layout the parts before starting.

- During assembly do not stand or put weight on the product, this could cause damage.
- Assemble the item as close to its final position (in the same room) as possible.
- Assemble on a soft level surface to avoid damaging the unit or your floor.
- Parts of the assembly will be easier with 2 people.



- To reduce the likelihood of damaging your product please ensure that your power drill is set on a low torque setting.

## Care and maintenance

- Only clean using a damp cloth and mild detergent, do not use bleach or abrasive cleaners.
- From time to time check that there are no loose screws on this unit.
- This product should not be discarded with household waste. Take to your local authority waste disposal centre.

## Handy Hints

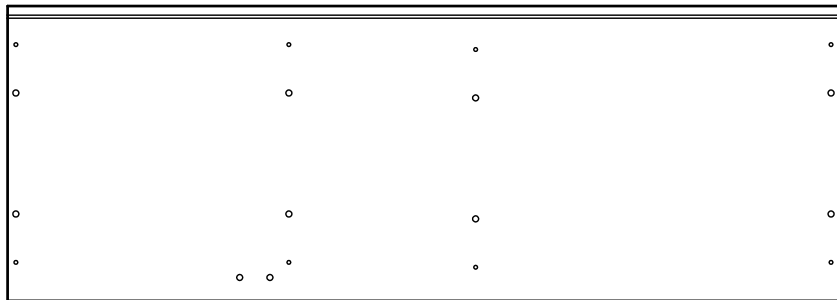
- Regularly check and ensure that all bolts and fittings are tightend properly.

**Note:** If required the next page can be cut out and used as reference throughout the assembly. Keep this page with these instructions for future reference.

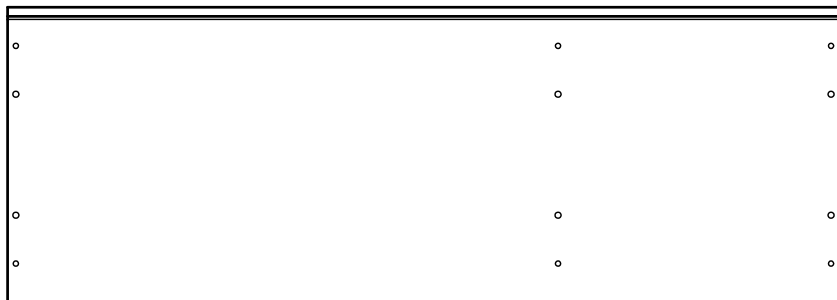
# Components - Panels

If you have damaged or missing components, call the **Customer Helpline: 03456 400800**

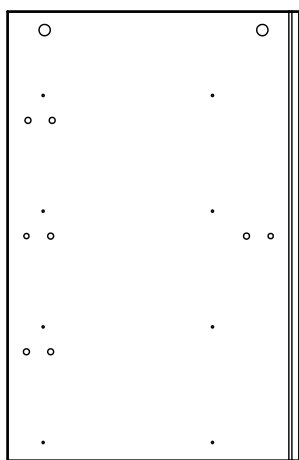
Please check you have all the panels listed below



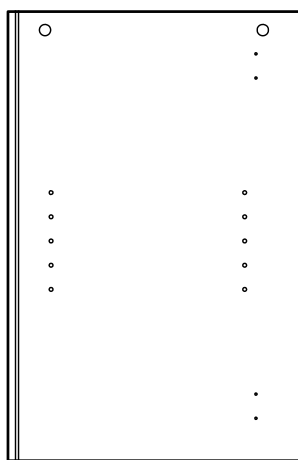
**1** Top panel (110 x 39cm)



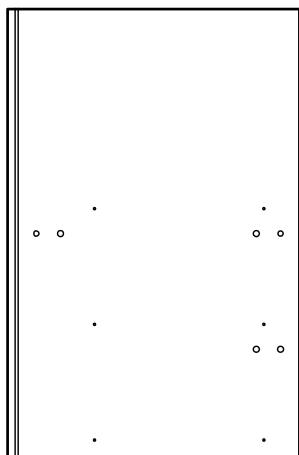
**2** Bottom panel (110 x 39cm)



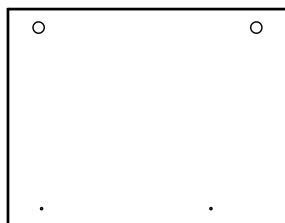
**3** Left side panel (59.4 x 38.6cm)



**4** Right side panel (59.4 x 38.6cm)



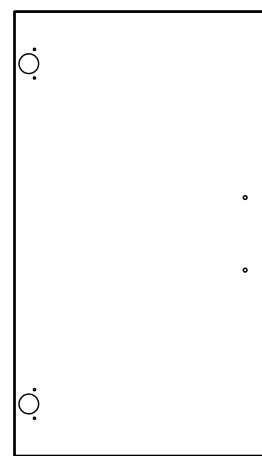
**5** Right middle side panel (59.4 x 38.6cm)



**6** Left middle side panel (28.8 x 36.9cm)



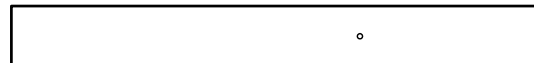
**7** Shelf (34.1 x 34.1cm)



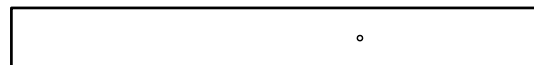
**8** Door (58.8 x 33.7cm)



**13** Back x3 (60.4 x 35.3cm)



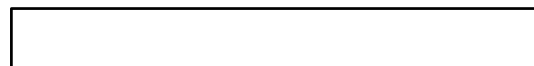
**9** Support rail (69.9x 8cm)



**10** Support rail (69.9x 8cm)



**11** Support rail (45.2x 8cm)



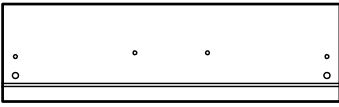
**12** Support rail (69.9x 8cm)



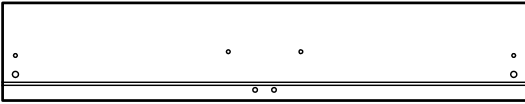
# Components - Panels

If you have damaged or missing components, call the **Customer Helpline: 03456 400800**

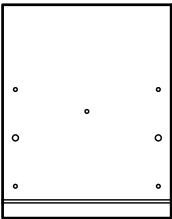
Please check you have all the panels listed below



**14** Drawer front x2 (44.6 x 12.9cm)



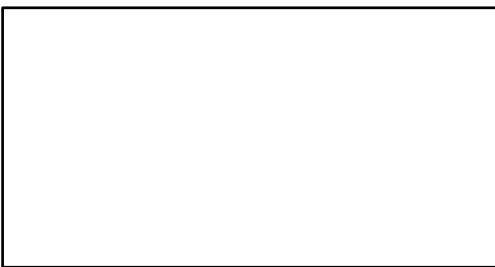
**15** Drawer front x2 (69.3 x 12.9cm)



**16** Drawer front (22.3 x 28.2cm)



**24** Drawer bottom x2 (40.7 x 34.3cm)



**25** Drawer bottom x2 (65.4 x 34.3cm)



**26** Drawer bottom (18.4 x 34.3cm)



**17** Drawer left side x4 (35 x 8cm)



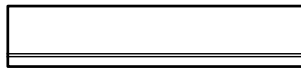
**18** Drawer right side x4 (35 x 8cm)



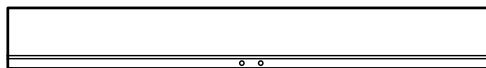
**19** Drawer left side (35 x 19.8cm)



**20** Drawer right side (35 x 19.8cm)



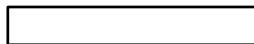
**21** Drawer back x2 (39.7 x 8cm)



**22** Drawer back x2 (64.4 x 8cm)



**23** Drawer back (17.4 x 19.8cm)



**27** Drawer bottom support x2 (33.3 x 5cm)



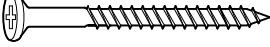
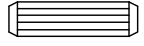








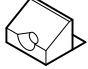
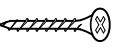
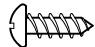
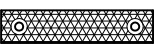
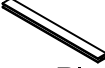
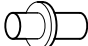



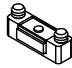



# Components - Fittings

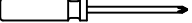
If you have damaged or missing components, call the **Customer Helpline: 03456 400800**

Please check you have all the fittings listed below

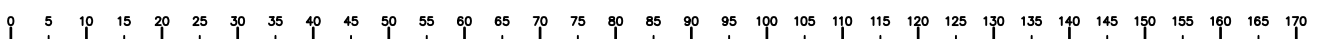
**Note:** The quantities below are the correct amount to complete the assembly. In some cases more fittings may be supplied than are required.

<b>A</b>  Locking pin x 20	<b>B</b>  Locking nut x 20	<b>C</b>  57mm Screw x 12
<b>D</b>  Ø8 Dowel x 36	<b>E</b>  Drawer runner x 5 set	<b>F</b>  12mm Screw x 40
<b>G</b>  Cover stickers x 2	<b>H</b>  Handle x 5	<b>I</b>  Handle screw x 11
<b>J</b>  Ø6 Dowel x 8	<b>K</b>  Solid wood legs x 5	<b>L</b>  38mm bolt x 5
<b>M</b>  Plastic fastener x 10	<b>N</b>  16mm Screw x 10	<b>O</b>  15mm Screw x 2
<b>P</b>  Wall Strap x 2	<b>Q</b>  590mm Plastic strip x 1	<b>R</b>  Shelf support x 4
<b>S</b>  Hinge x 2	<b>T</b>  15mm Screw x 8	<b>U</b>  Handle x 1
<b>V</b>  Silencer flaps x 1	<b>W</b>  31mm Screw x 20	

## Tools required

 Phillips screwdriver  
(medium & large)

## Ruler - Use this ruler to help correctly identify the screws



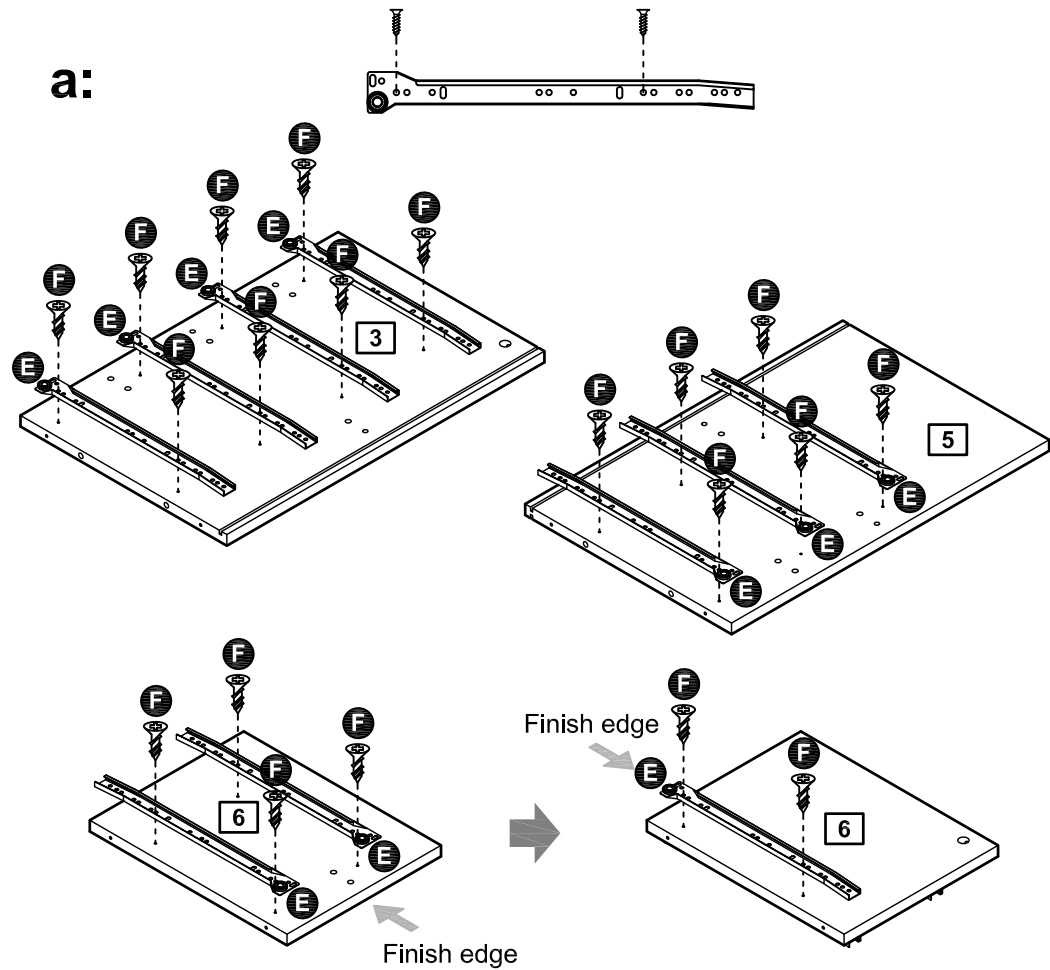
The screws length is measured from the head to the point (30mm screw shown).

# Assembly Instructions

## Step 1

### Fitting drawer runner

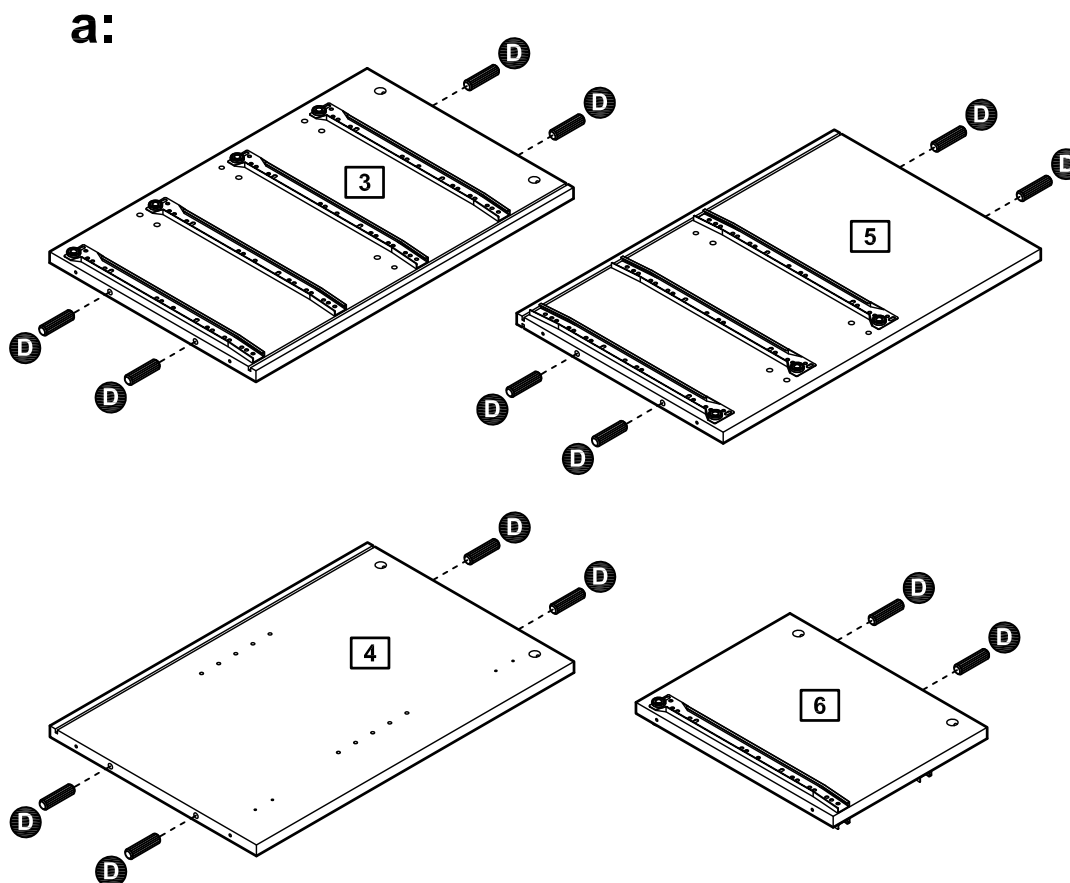
**a:** Use screws **F** to fix drawer runners **E** onto the left side **3**, left middle side **6** and right middle side **5**.



## Step 2

### Fitting side part

**a:** Insert dowels **D** into the left side **3**, right side **4**, left middle side **6**, and right middle side **5**.

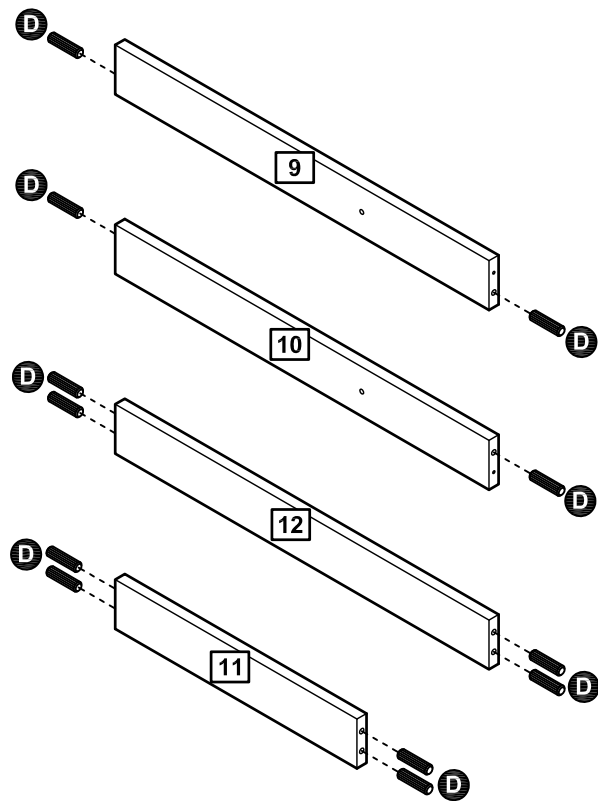


# Assembly Instructions

## Step 2 - continued

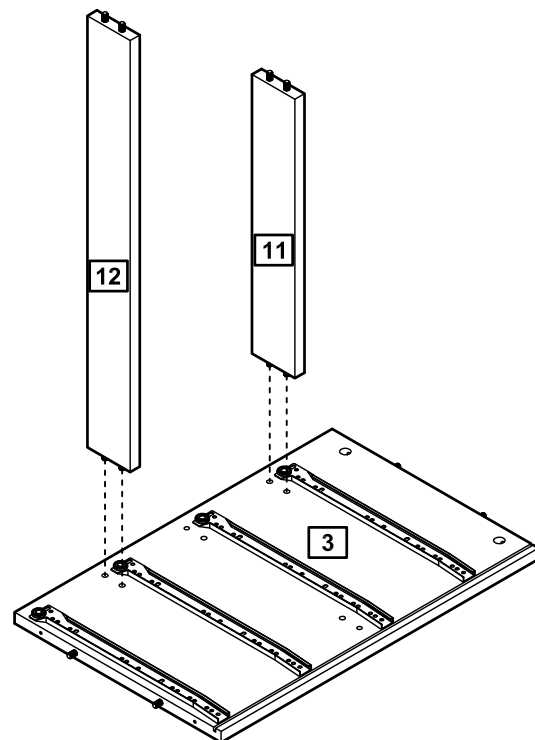
**b:** Insert dowels **D** into the support rail **9** **10** **11** **12**.

**b:**



**c:** Attach support rail **11** **12** onto the left side **3**.

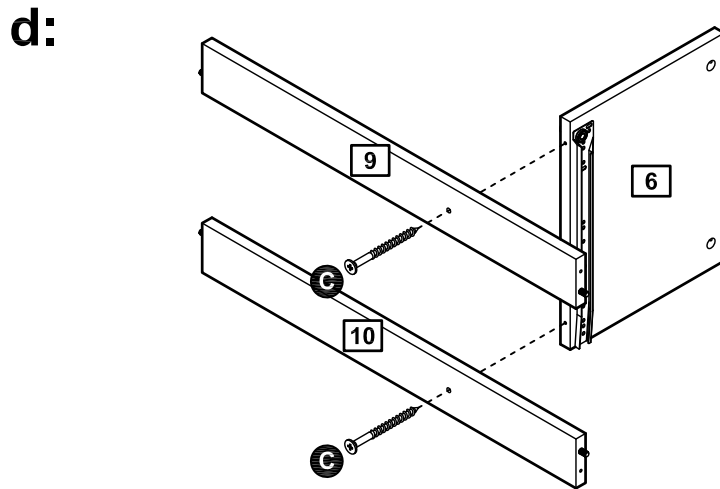
**c:**



# Assembly Instructions

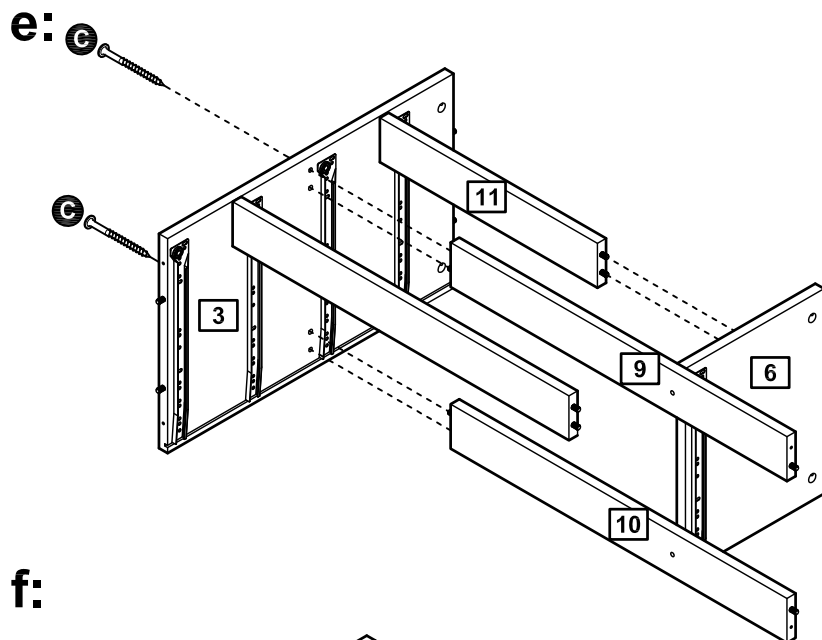
## Step 2 - continued

**d:** Attach support rail **9** **10** onto the left middle side **6** with screws **G**, using a screwdriver to tighten .



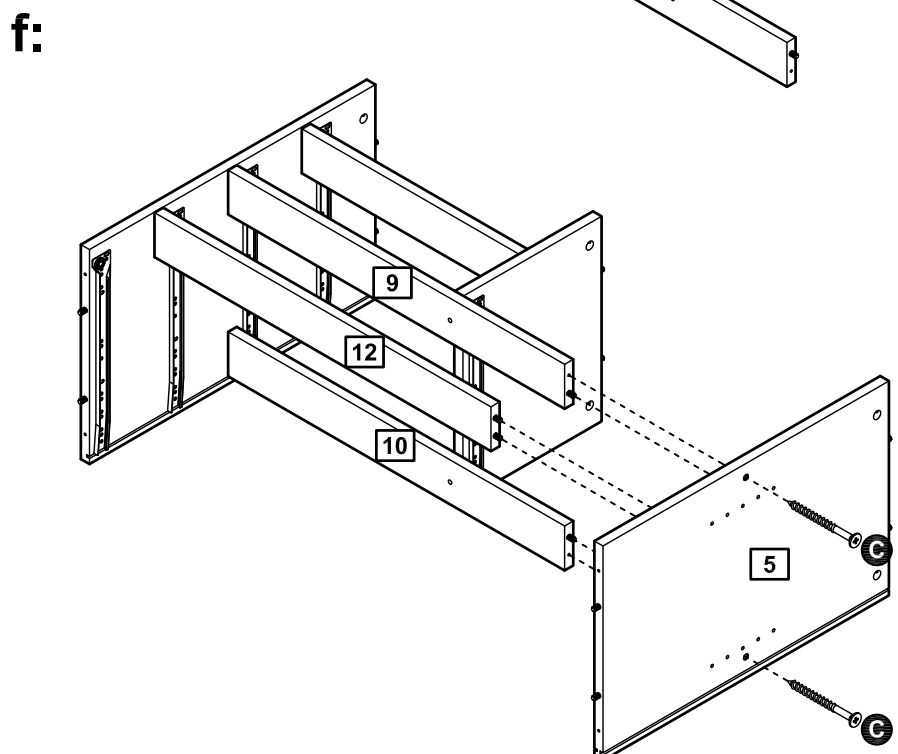
**e:** Attach support rail **9** **10** onto the left side **3** with screws **G**, using a screwdriver to tighten .

Attach support rail **11** onto the left middle side **6** .



**f:** Attach support rail **9** **10** onto the right middle side **5** with screws **G**, using a screwdriver to tighten.

Attach support rail **12** onto the right middle side **5** .



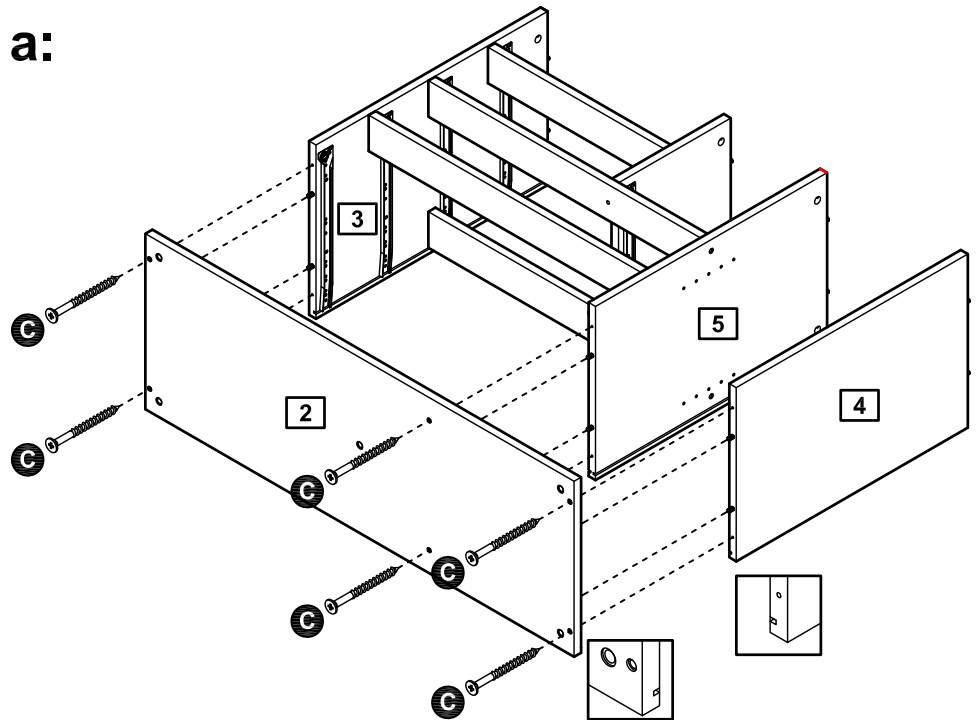


# Assembly Instructions

## Step 3

### Fitting the bottom

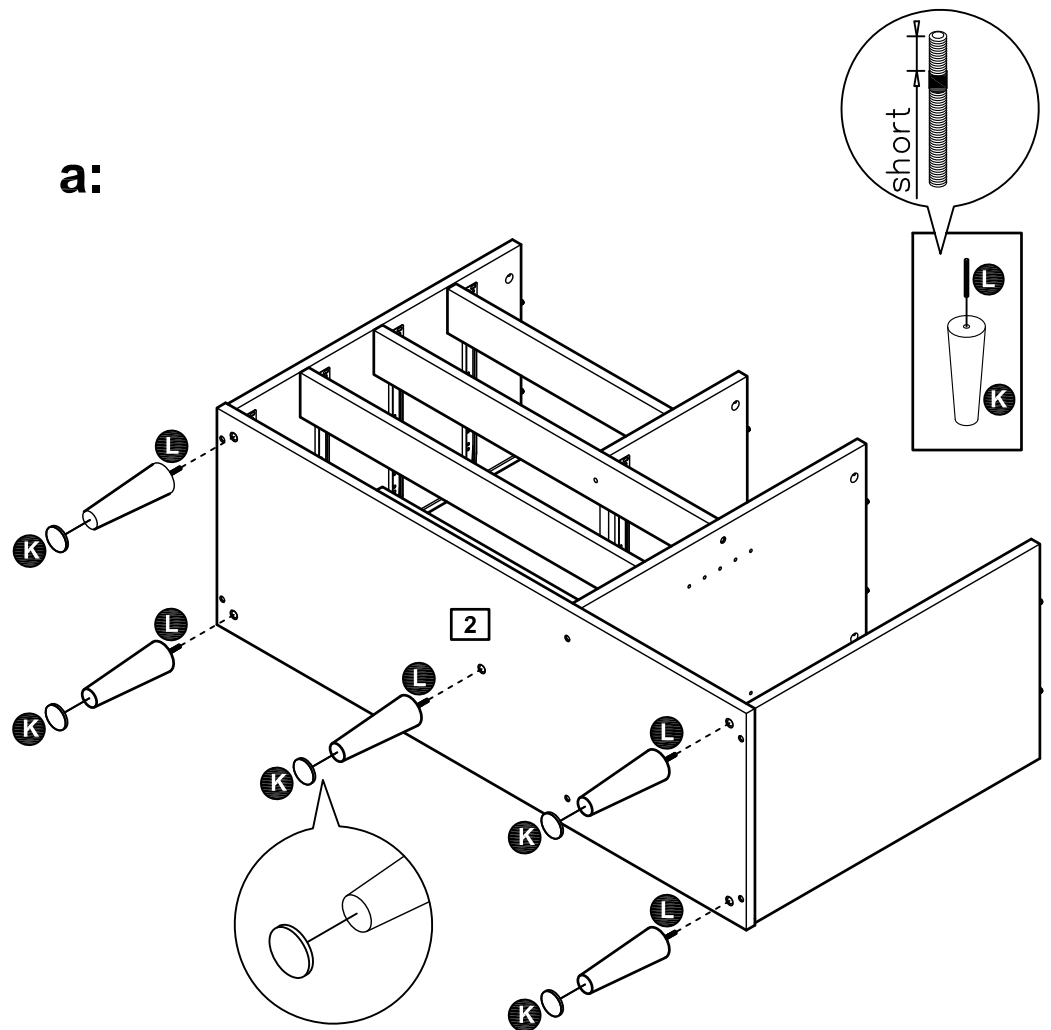
**a:** Attach the bottom panel **2** and assembled unit together with screws **C**, using a screwdriver to tighten.



## Step 4

### Fitting solid wood legs

**a:** Fix solid wood legs **L** to the bottom panel **2** using bolts **K**.

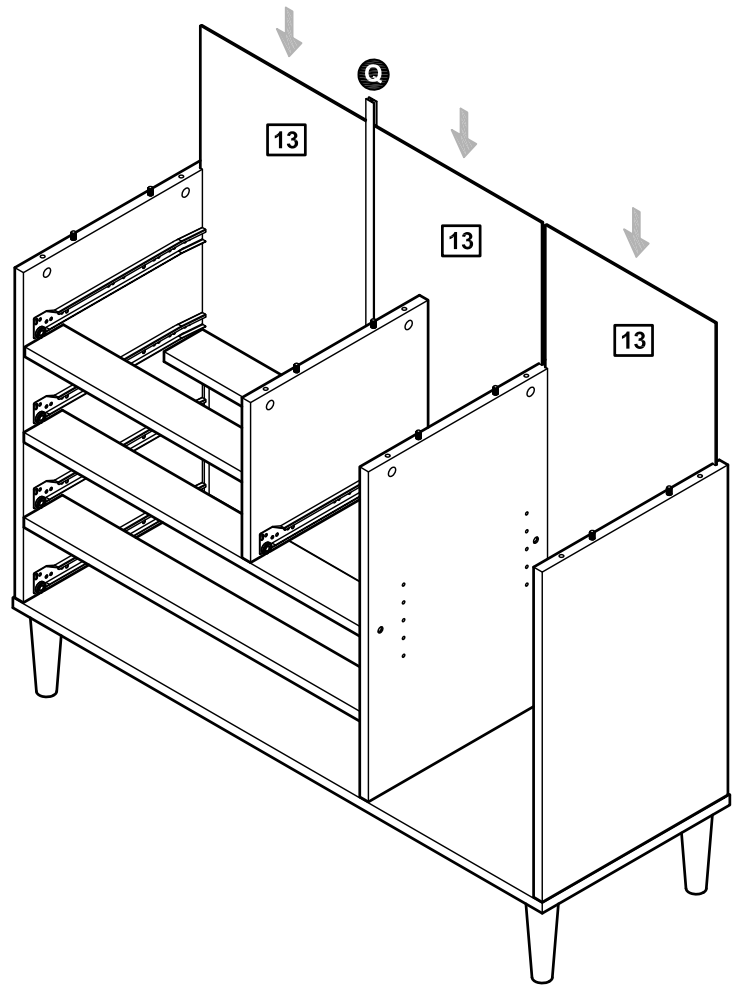


# Assembly Instructions

## Step 5

**a:** Slide back panel **13** with plastic strip **Q** into the unit.

**a:**

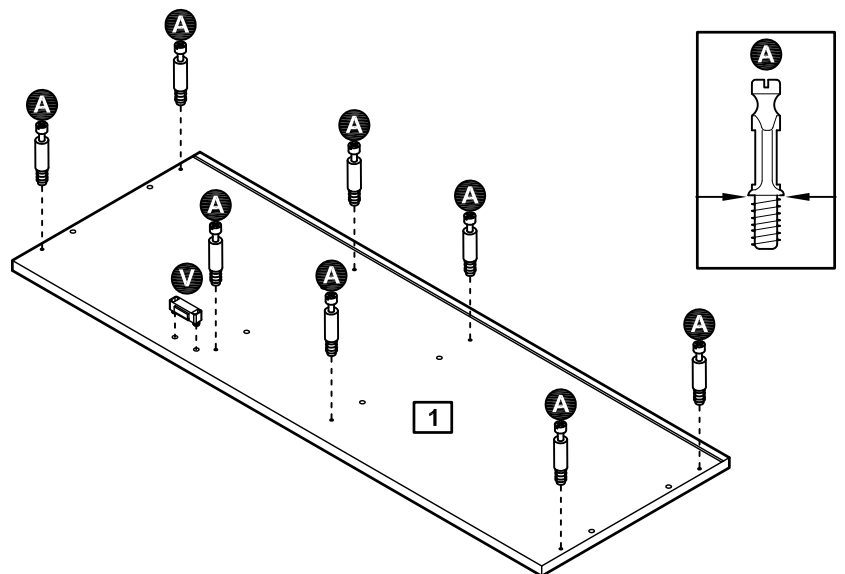


## Step 6

### Fitting the top panel

**a:** Screw locking pins **A** into top panel **1**. Insert locking pins as far as shown.

**a:**



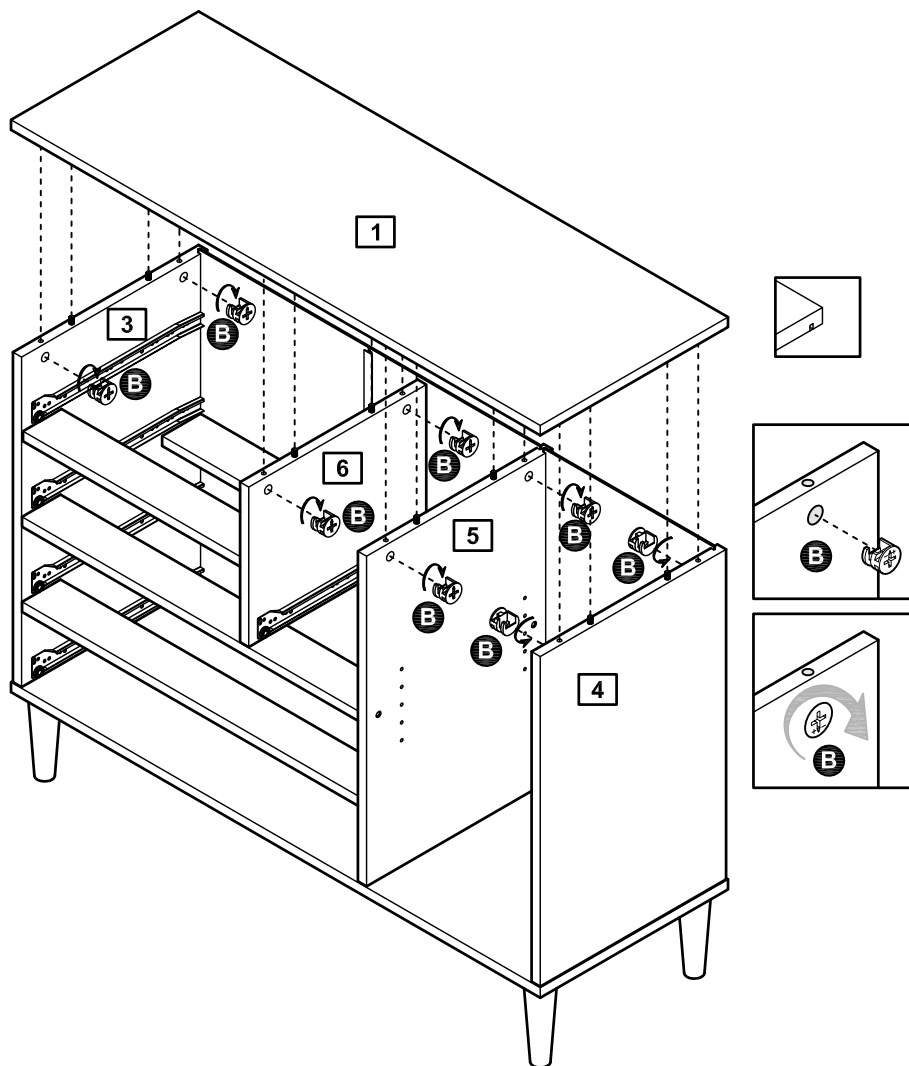
# Assembly Instructions

## Step 6 - continued

**b:** Carefully place the table top panel **1** onto the unit.

Insert locking nuts **B** into left side **3**, right side **4**, left middle side **6** and right middle side **5**, then use a screwdriver to turn locking nuts **B** clockwise to lock.

**b:**



## Step 7

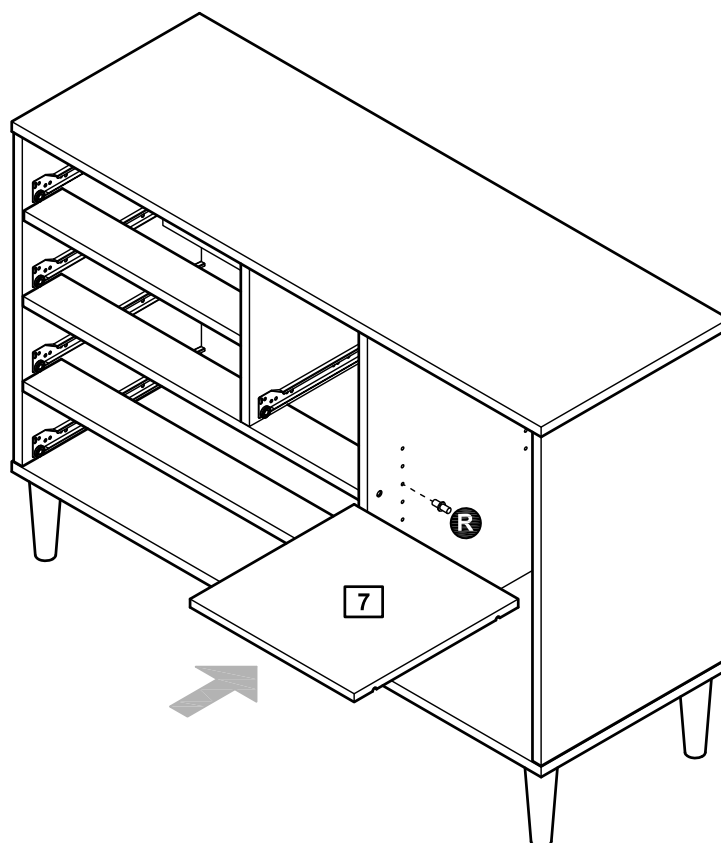
### Fitting shelf

**a:** Place shelf supports **R** into the unit.

**NOTE:** Adjust the shelf supports to the desired height.

Slide shelf **7** into the unit.

**a:**



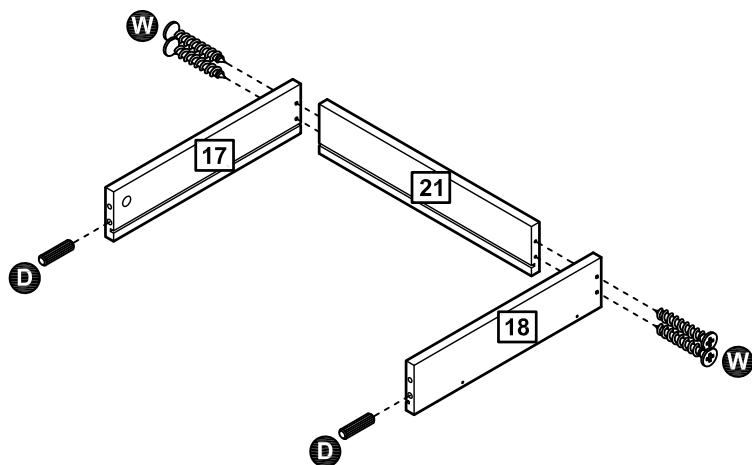
# Assembly Instructions

## Step 8

### Fitting the drawer

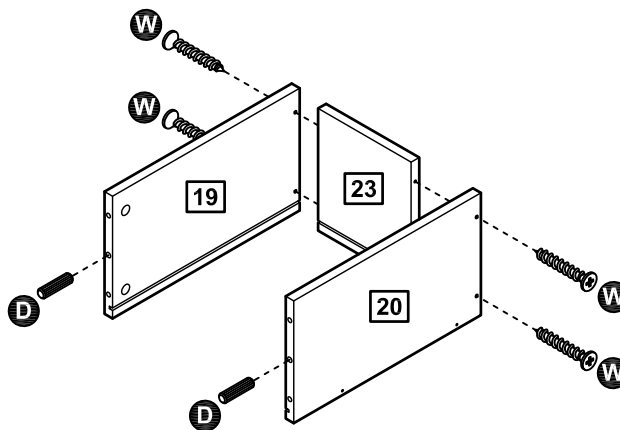
**a:** Use screws **W** to fix drawer left **17** and drawer right **18** onto the drawer back **21** together.

Insert dowels **D** into left side **17** and right side **18**.



**b:** Use screws **W** to fix drawer left **19** and drawer right **20** onto the drawer back **23** together.

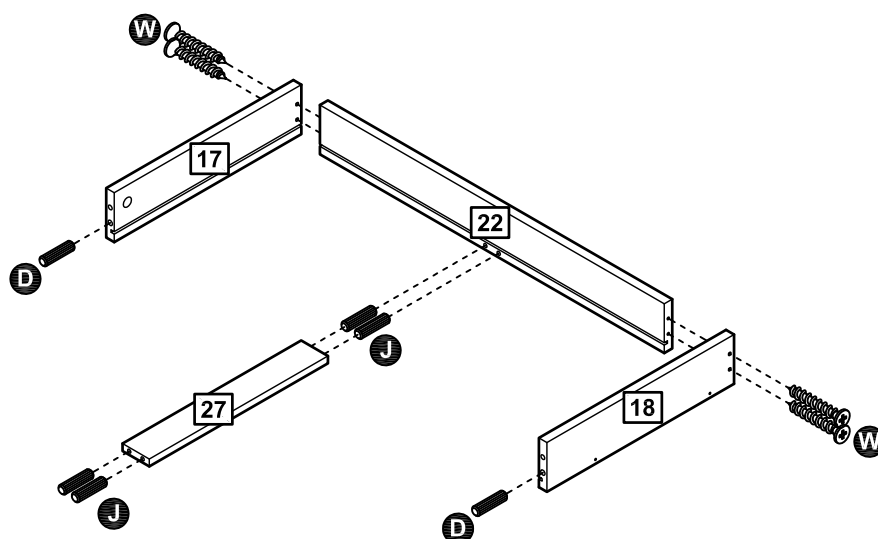
Insert dowels **D** into left side **19** and right side **20**.



**c:** Use screws **W** to fix drawer left **17** and drawer right **18** onto the drawer back **22** together.

Insert dowels **D** into left side **17** and right side **18**.

Insert dowels **J** into drawer bottom support **27**, then attach onto the drawer back **22** together.

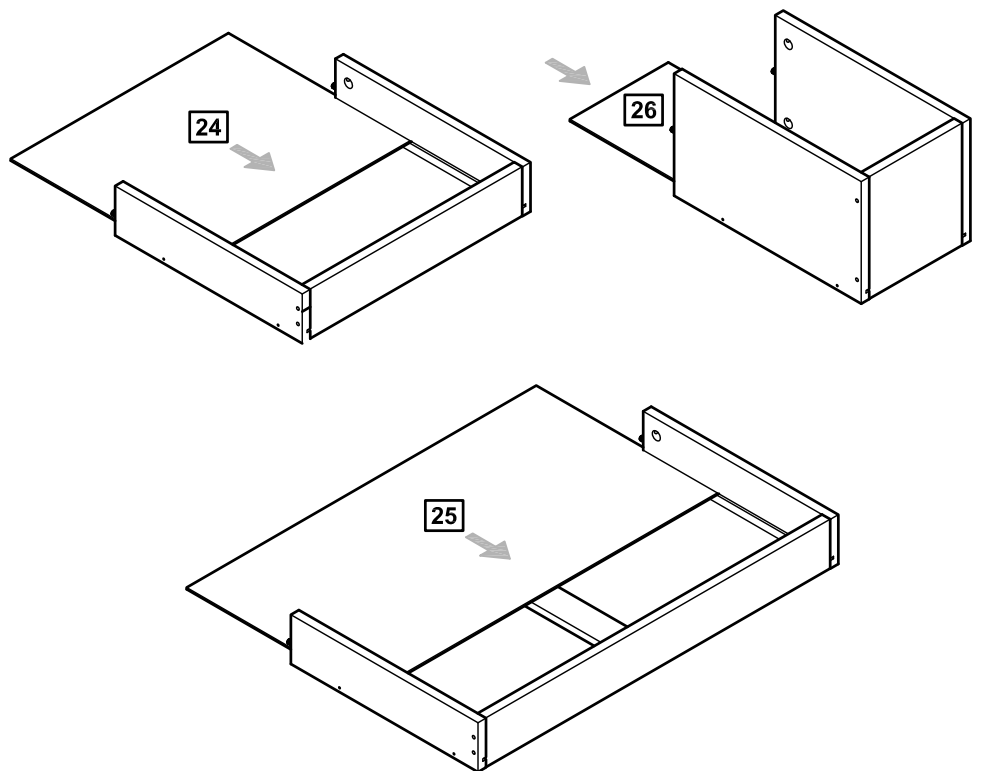


# Assembly Instructions

## Step 8 - continued

**d:** Slide drawer bottom **24** **25** **26** into the unit.

**d:**

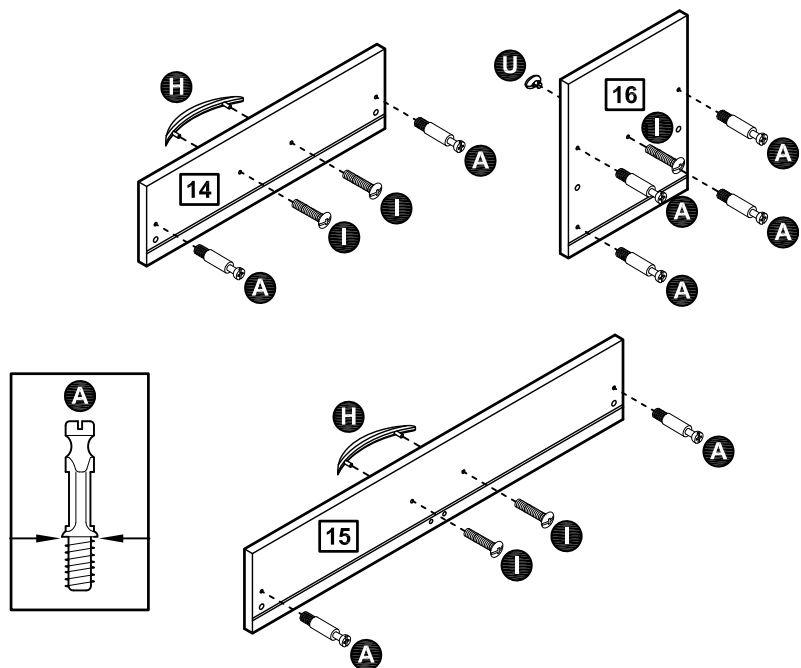


**e:** Screw the locking pins **A** into the drawer front **14** **15** **16**. Insert locking pins as far as shown.

**e:**

Use handle screws **I** to fix the handle **H** onto the drawer front **14** **15**.

Use handle screws **U** to fix the handle **U** onto the drawer front **16**.



# Assembly Instructions

## Step 8 - continued

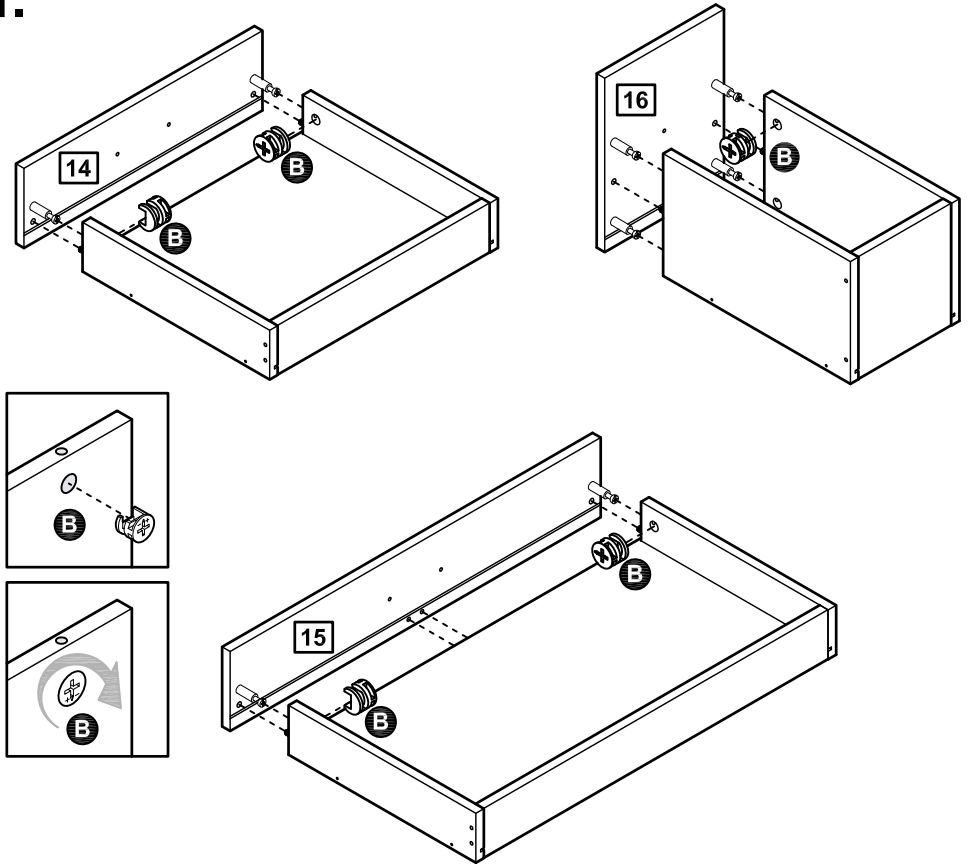
**f:** Attach drawer front **14** onto the unit.

Attach drawer front **15** onto the unit.

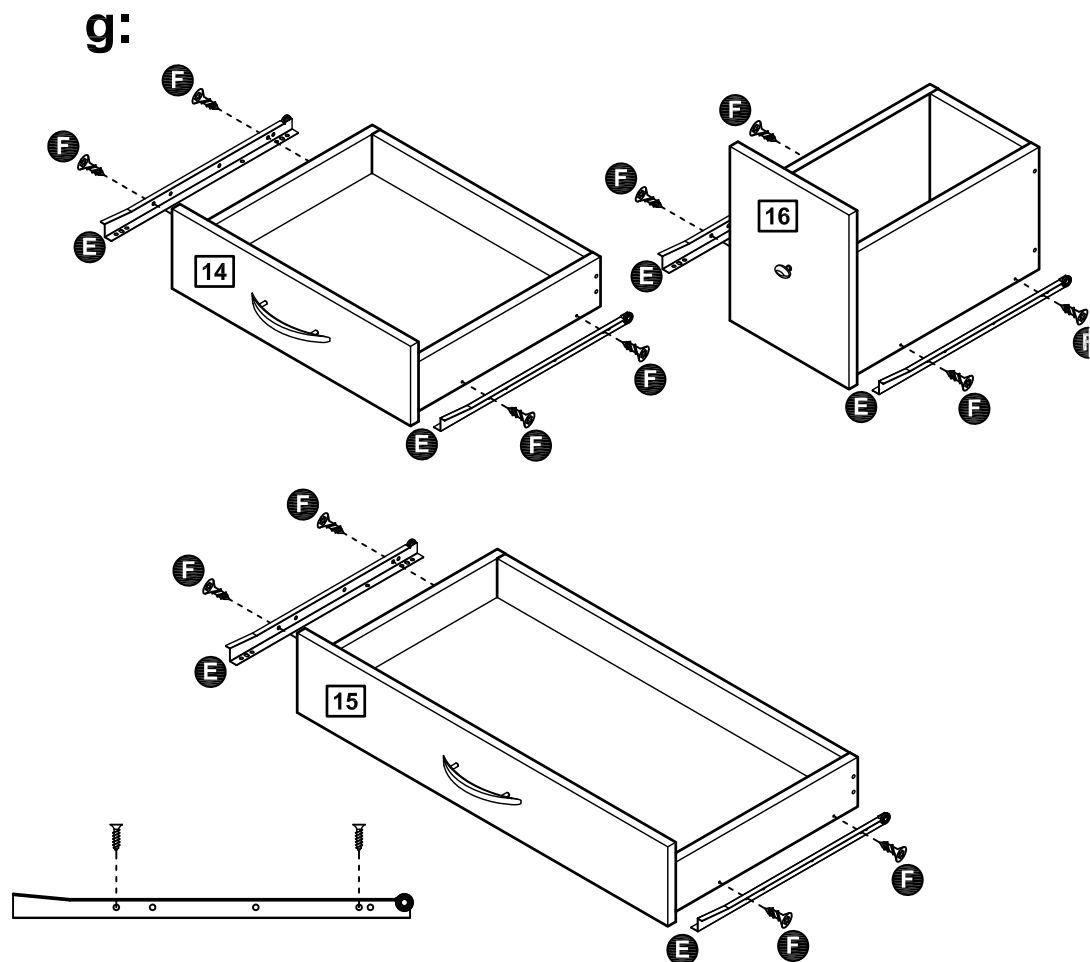
Attach drawer front **16** onto the unit.

Insert locking nuts **B** into the unit, then use a screwdriver to turn locking nuts clockwise to lock.

**f:**



**g:** Attach drawer runners **E** and the drawer unit together with screws **F**.



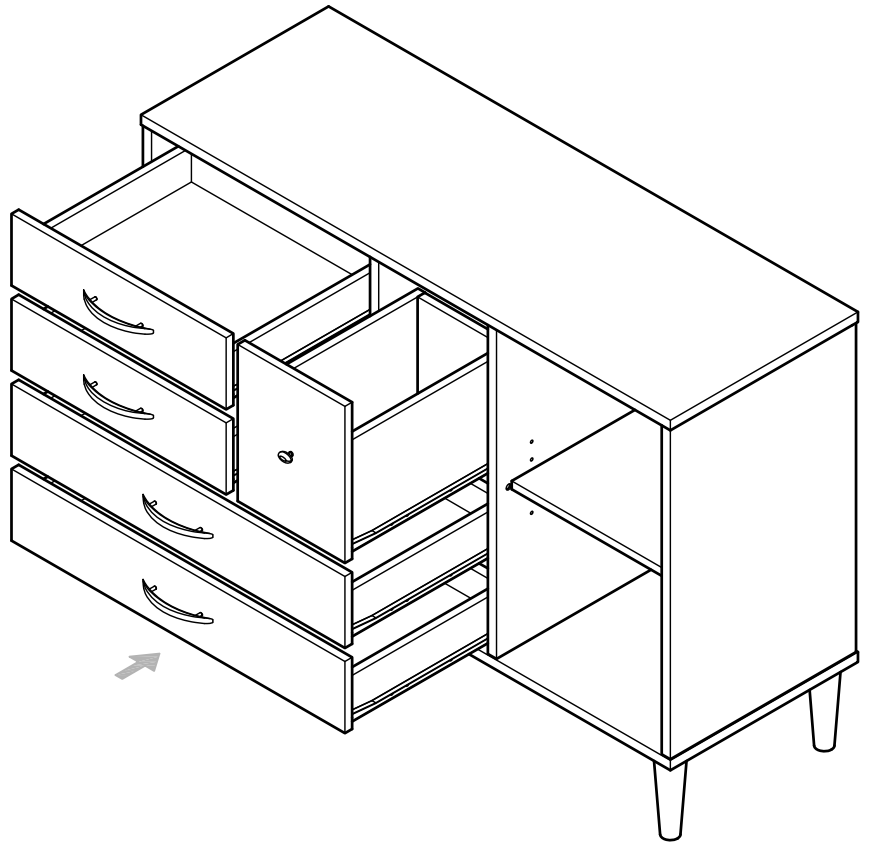
# Assembly Instructions

## Step 9

### Finish the unit

**a:** Slide the drawer into the unit.

**a:**



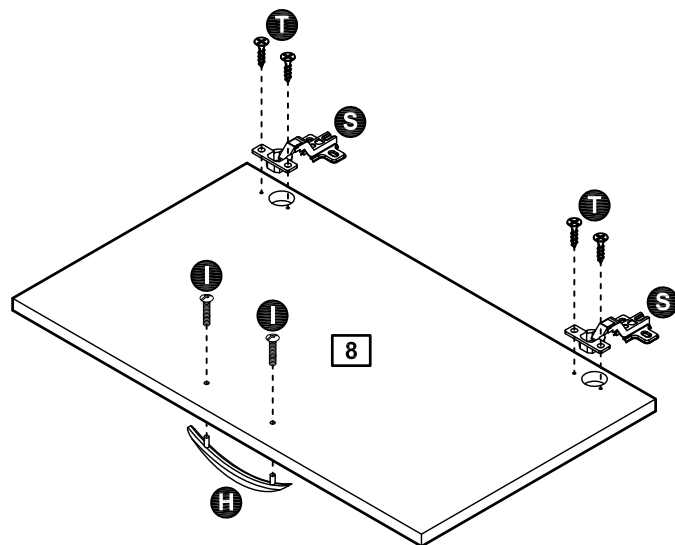
## Step 10

### Fitting the door

**a:** Attach hinges **S** to door **8** with screws **T** using a screwdriver to tighten.

Use handle screws **I** to fix the handle **H** onto the door **8**.

**a:**

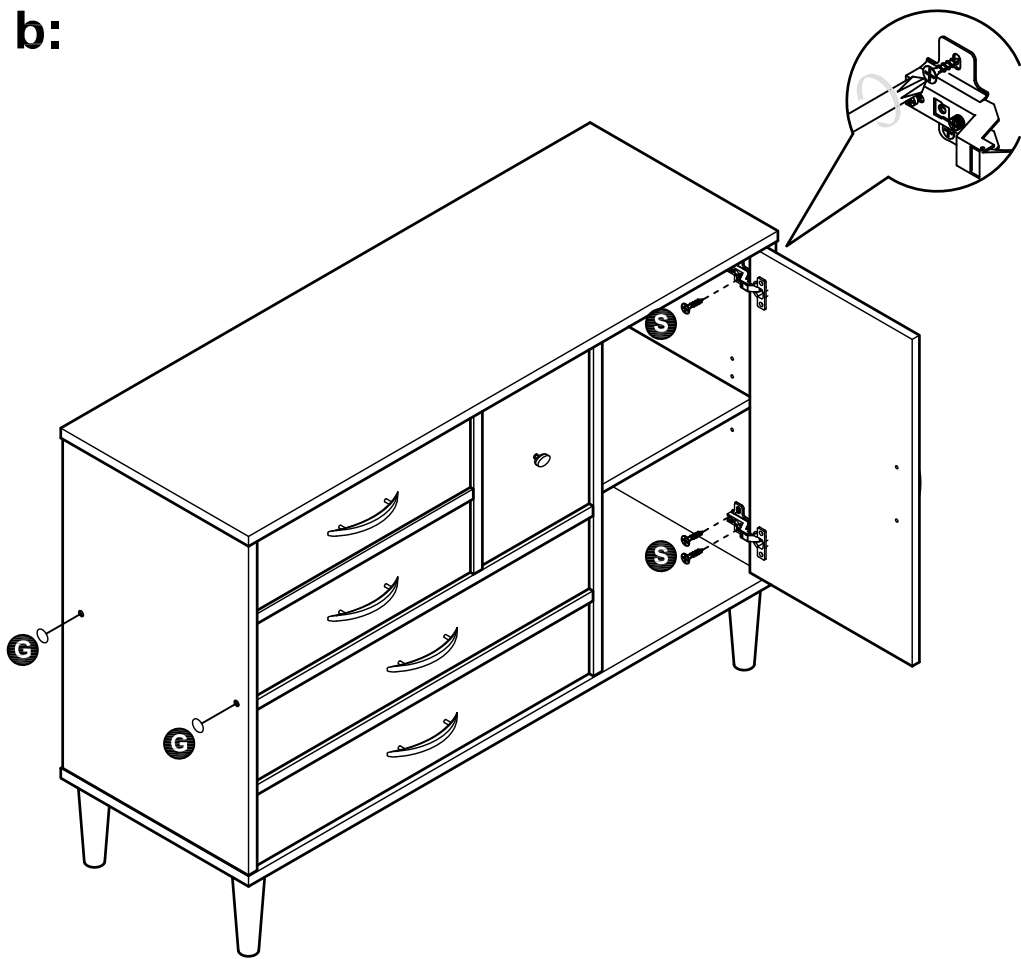


# Assembly Instructions

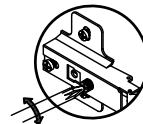
## Step 10 - continued

**b:** Attach the door **8** to the assembled unit with screws **S** using a screwdriver to tighten.

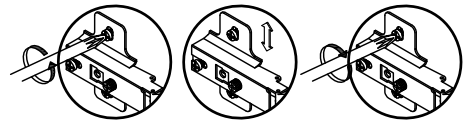
Use cover stickers **G** to cover the screw holes.



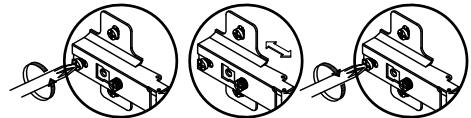
LATERAL



VERTICAL



FRONT-TO-BACK





# Assembly Instructions

## Step 11

**a:** Insert plastic fasteners **M** into the back panel grooves and secure with screws **N**, tighten with a screwdriver.

Use the screw **O** to fix wall straps **P** to the back of the top panel.

Secure the other ends of strap to the wall using appropriate screws, washers and wall plugs for your wall type.

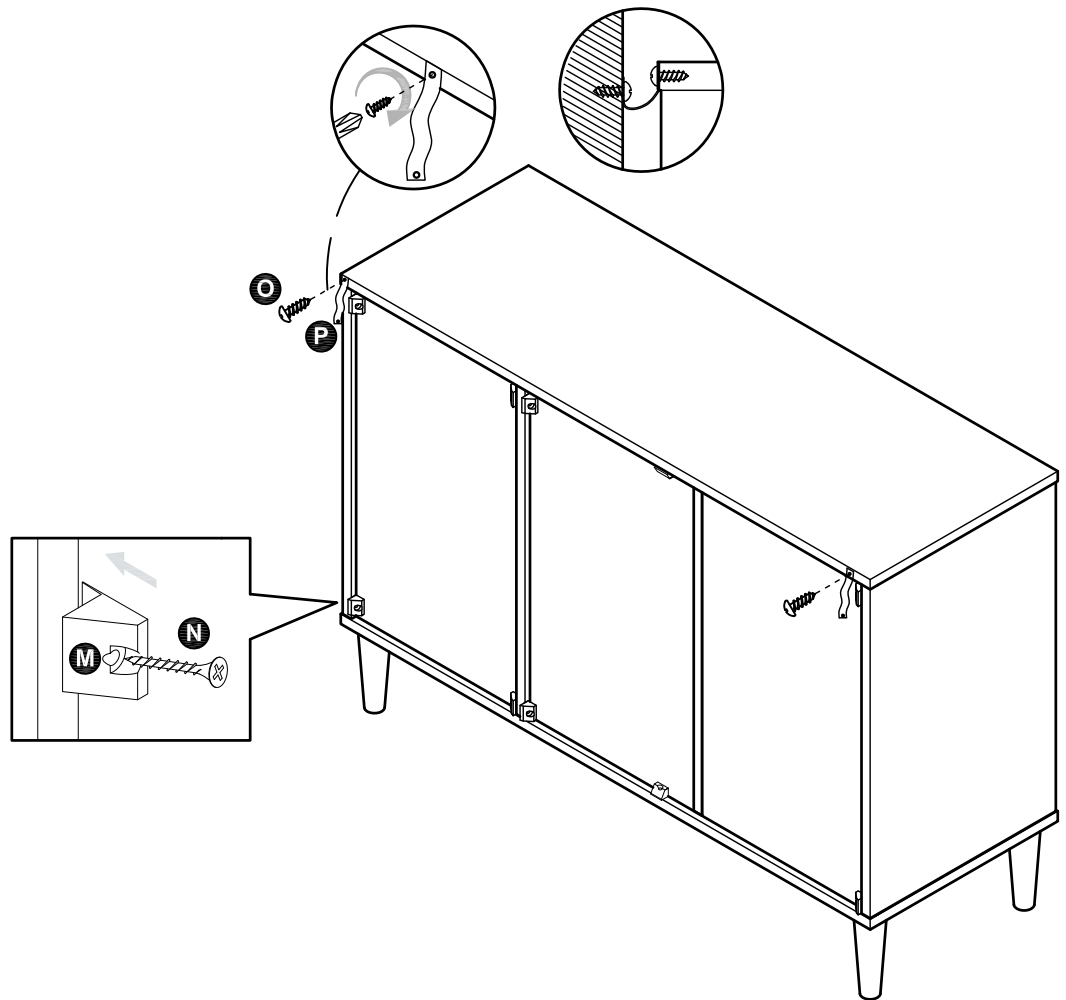
**WARNING:**

Ensure the area to be drilled is free from hidden electrical wires and water or gas pipes.

**NOTE:**

Wall fixings are not included. Please source suitable wall fixings for your wall type, if in doubt consult a qualified tradesperson.

**a:**



**Assembly is complete.**

If you need help or have damaged or missing parts, call the **Customer Helpline: 03456 400800**

# A Guide to - Wall Mounting & Fixings

## Important note:

If plastic wall plugs are supplied with your product:



- these are only suitable for use in masonry walls.

If you are in any doubt about the correct wall plugs for your wall, seek professional advice.

Failure of the product due to using incorrect fixings is the responsibility of the installer.



**Important:** When drilling into walls always check that there are no hidden wires or pipes etc.

Make sure that the screws and wall plugs being used are suitable for supporting your unit. Consult a qualified tradesperson if you are unsure.

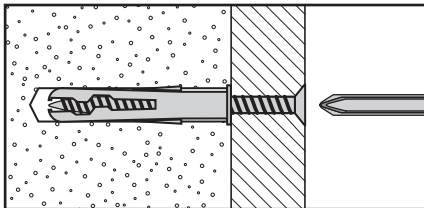
## Hints:

- 1: General rule:** ⚠ Always use a larger screw and wall plug if you are not sure.
- 2: Ensure you use the recommended drill bit to match the wall plug and hole size.
- 3: Ensure you drill the hole horizontally, do not force the drill or enlarge the hole.
- 4: Take extra care when drilling high walls, ceilings and ceramic tiles. Ensure wall plugs are inserted beyond the thickness of the ceramic tiles to avoid the tiles splitting or cracking.
- 5: Ensure wall plugs are well fitted and are a tight fit in the drilled hole.

## Types of walls

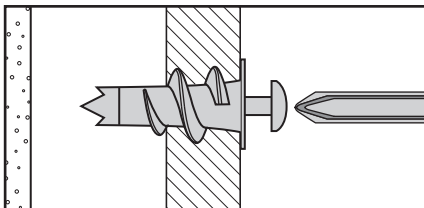
You can use one of the following types of wall plug if your walls are made of brick, breeze block, concrete, stone or wood.

### No.1 "General Purpose" wall plug



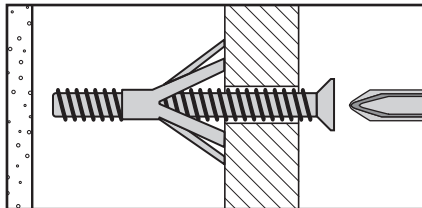
Generally aerated blocks should not be used to support heavy loads, use a specialist fitting in this case. For light loads, general purpose wall plugs can be used.

### No.2 "Plasterboard" wall plug



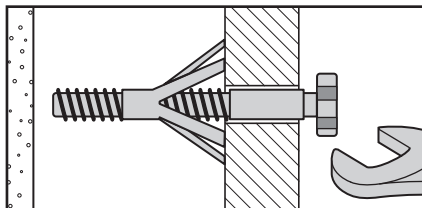
For use when attaching light loads on to plasterboard partitions.

### No.3 "Cavity Fixing" wall plug



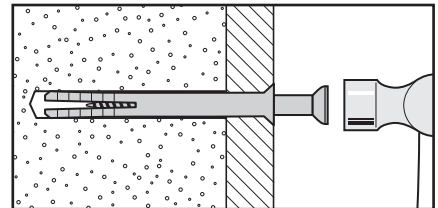
For use with plasterboard partitions or hollow wooden doors.

### No.4 "Cavity Fixing-Heavy Duty" wall plug



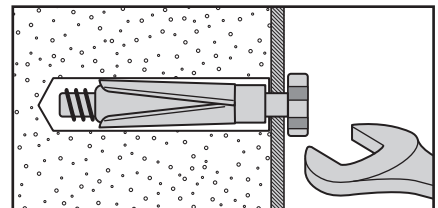
For use when fitting or supporting heavy loads such as shelving, wall cabinets and coat racks.

### No.5 "Hammer Fixing" wall plug



For use with walls stuck with plasterboard. The hammer fixing allows it to be fixed to the wall rather than the plasterboard. Always check the fixing is secure to the retaining wall.

### No.6 "Shield Anchor" wall plug Heavy loads



For use with heavier loads such as TV & HiFi speakers and satellite dishes etc.



## Care & Maintenance

**Safety:** Always check the fitting and location to ensure your safety in and around the home.

**Fitting:** From time to time check the fitting to ensure the wall plugs or screws do not become loose.