

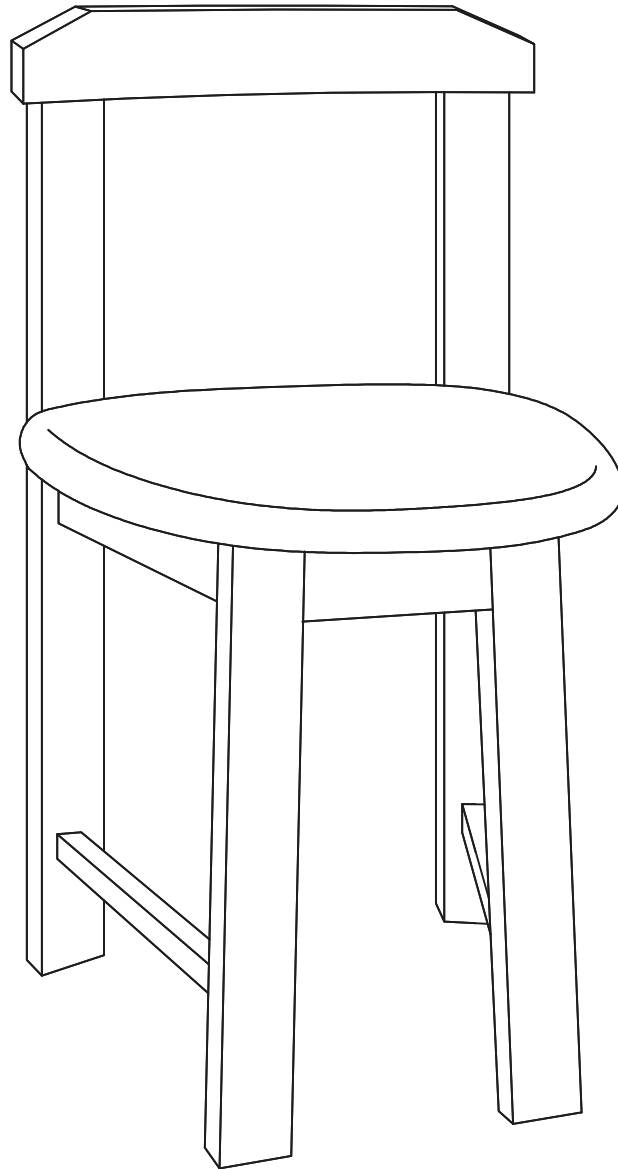
# Hygena Alena Wooden Spacesaver

Assembly Instructions - Please keep for future reference

4259156

4284592

**hygena**



## Dimensions

Width - 42.5cm

Depth - 42cm

Height - 73cm

**Important - Please read these instructions fully before starting assembly**

If you need help or have damaged or missing parts, call the **Customer Helpline: 0345 640 0800**



# Safety and Care Advice

**Important** - Please read these instructions fully before starting assembly

- Check you have all the components and tools listed on the page 2 & 3.

- Remove all fittings from the plastic bags and separate them into their groups.

- Keep children and animals away from the work area, small parts could choke if swallowed.

- Make sure you have enough space to layout the parts before starting.

- During assembly do not stand or put weight on the product, this could cause damage.

- Assemble the item as close to its final position (in the same room) as possible.

- Assemble on a soft level surface to avoid damaging the unit or your floor.

- Parts of the assembly will be easier with 2 people.



power drill is set on a low torque setting.

- To reduce the likelihood of damaging your product please ensure that your

- The maximum safe weight of user : 110kg.

## Care and maintenance

- Only clean using a damp cloth and mild detergent, do not use bleach or abrasive cleaners.

- From time to time check that there are no loose screws on this unit.

- This product should not be discarded with household waste. Take to your local authority waste disposal centre.

## Handy Hints

- Assemble all parts and bolts loosely during assembly, only once the product is complete should you fully tighten the bolts

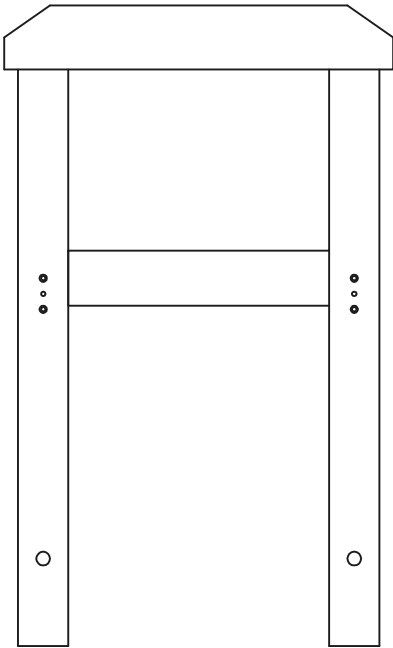
- Regularly check and ensure that all bolts and fittings are tightened properly.

**Note:** if required the next page can be cut out and used as reference throughout the assembly. Keep this page with these instructions for future reference.

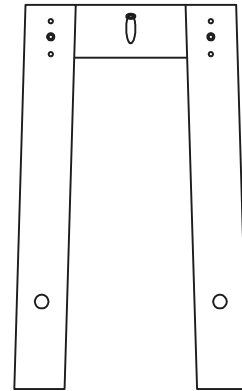
# Components - Panels

If you have damaged or missing components,  
call the Customer Helpline: 0345 6400800

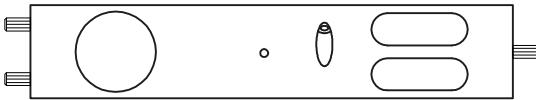
Please check you have all the fittings listed below



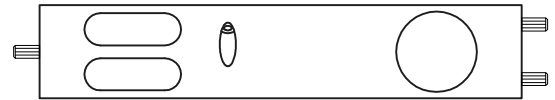
1 Backrest x 1  
(42.5 x 73cm)



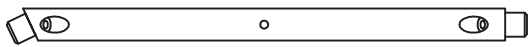
2 Front Leg x 1  
(26.5 x 42cm)



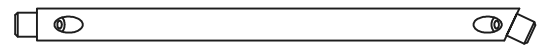
3 Left Side Stretcher x 1  
(30 x 5.8cm)



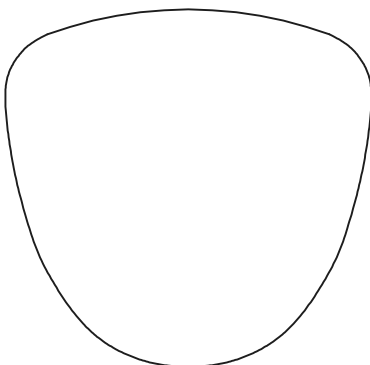
4 Right Side Stretcher x 1  
(30 x 5.8cm)



5 Left Side Rail x 1  
(33.5 x 2cm)



6 Right Side Rail x 1  
(32.8 x 2cm)



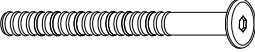



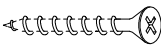
7 Seat Cushion x 1  
(41 x 39.5cm)



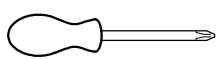
# Components - Fittings

Please check you have all the fittings listed below

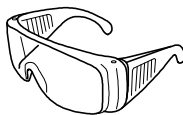
**Note:** The quantities below are the correct amount to complete the assembly for one chair. In some cases more fittings may be supplied then are required.

<p><b>A</b> </p> <p>45mm Screw x 6</p>	<p><b>B</b> </p> <p>Spring Washer M6 x 6</p>	<p><b>C</b> </p> <p>Flat Washer M6 x 6</p>
<p><b>D</b> </p> <p>M4 Allen Key x 1</p>	<p><b>E</b> </p> <p>32mm Screw x 7</p>	

## Tools required



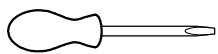
Phillips screwdriver  
(medium & large)



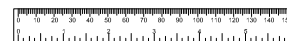
Eye protection  
(when using a  
hammer or glue)



Small  
hammer

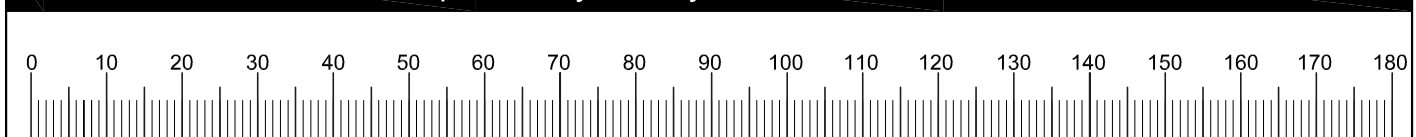


Flatblade screwdriver  
(medium)



Ruler/tape  
measure

**Ruler** - Use this ruler to help correctly identify screws.



# Assembly Instructions

## Step 1

### Fitting the Side Stretcher

**Note :** It would be useful to ask someone to help you at this stage.

**a :** Insert Screw **A**, Spring washer **B**, Flat washer **C** with Allen key **D** to fix side stretcher **3** **4** onto backrest **1**.

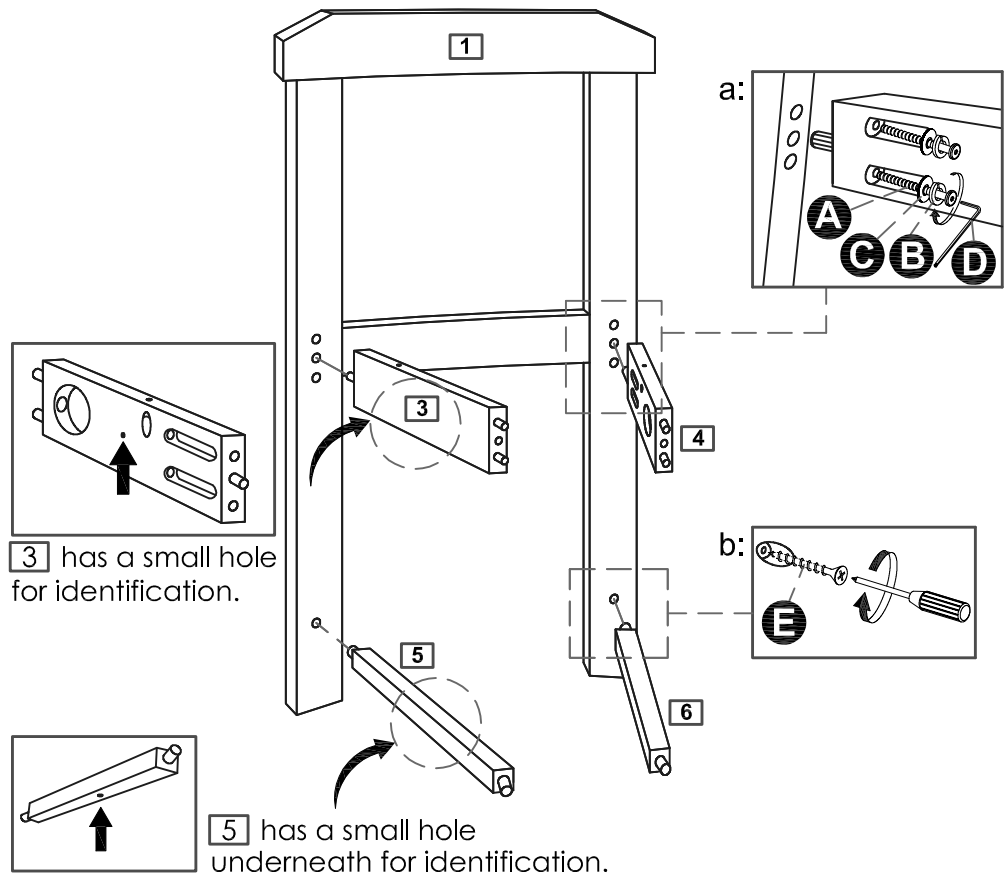
**Note :** Do not fully tighten all the screw.

### Fitting the Side Rail

**Note :** It would be useful to ask someone to help you at this stage.

**b :** Insert Screw **E** to fix side rail **5** **6** onto backrest **1**.

**Note :** Do not fully tighten all the screw.



## Step 2

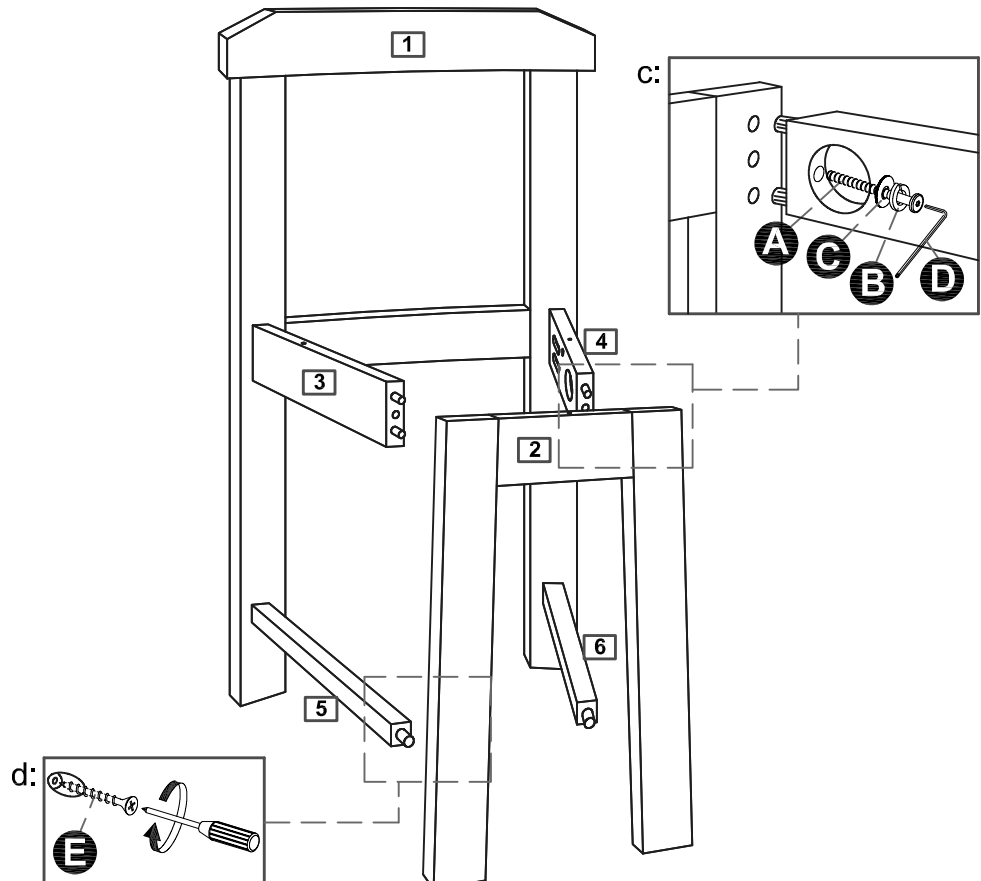
### Fitting the Front Leg

**Note :** It would be useful to ask someone to help you at this stage.

**c :** Insert Screw **A**, Spring washer **B**, Flat washer **C** with Allen key **D** to fix front leg **2** onto side stretcher **3** **4**.

**d :** Insert Screw **E** to fix side rail **5** **6** onto front leg **2**.

**Note :** Do not fully tighten all the screw.



# Assembly Instructions

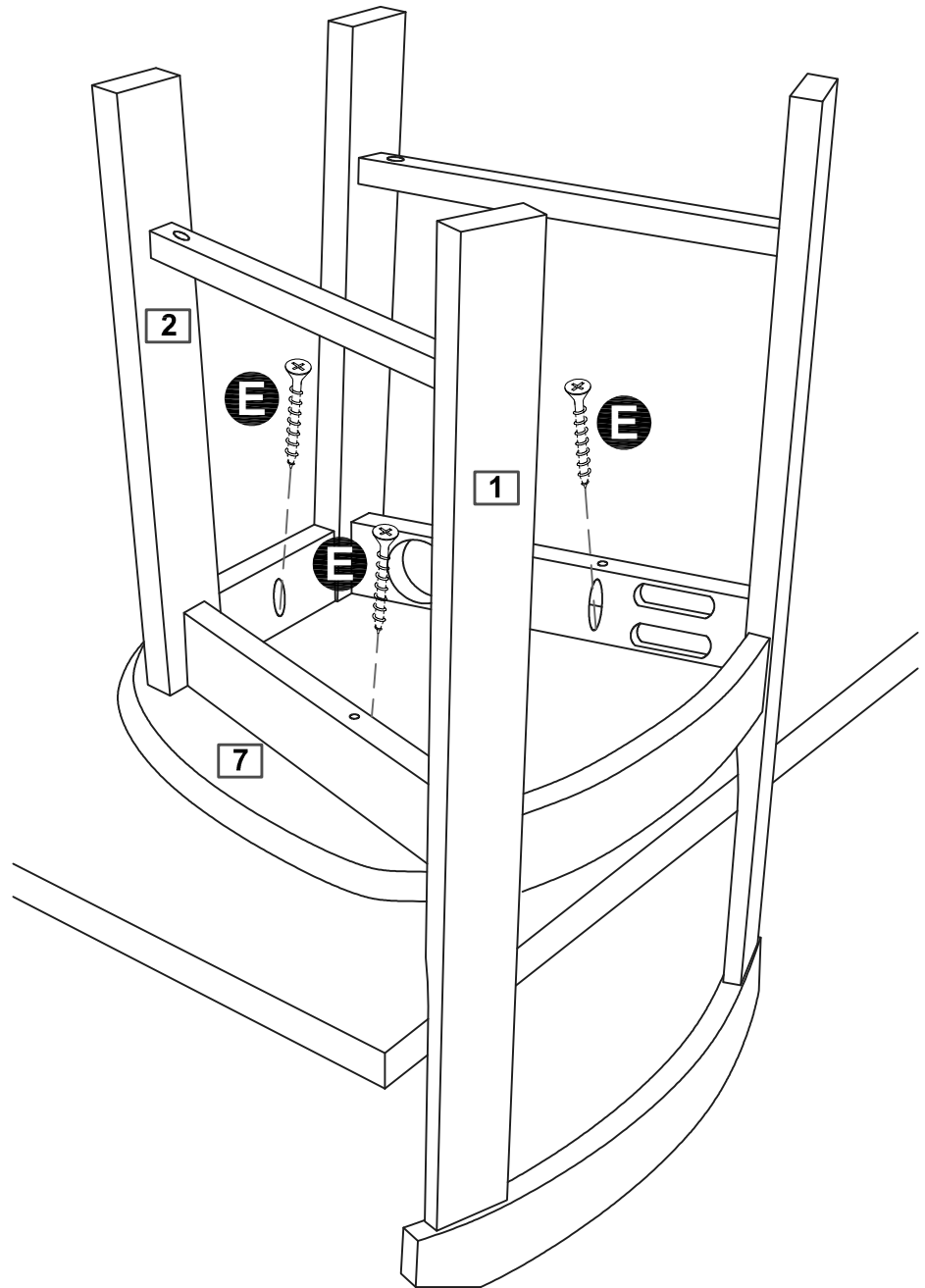
## Step 3

### Fitting the Cushion

**Note :** It would be useful to ask someone to help you at this stage.

Use Screw **E** to fix cushion seat **7** onto the unit.

**Note :** Fully tighten all the screw now.



# Assembly Instructions

## Step 4

### Finishing the unit

**Note:** Before use always make sure the unit is secure.

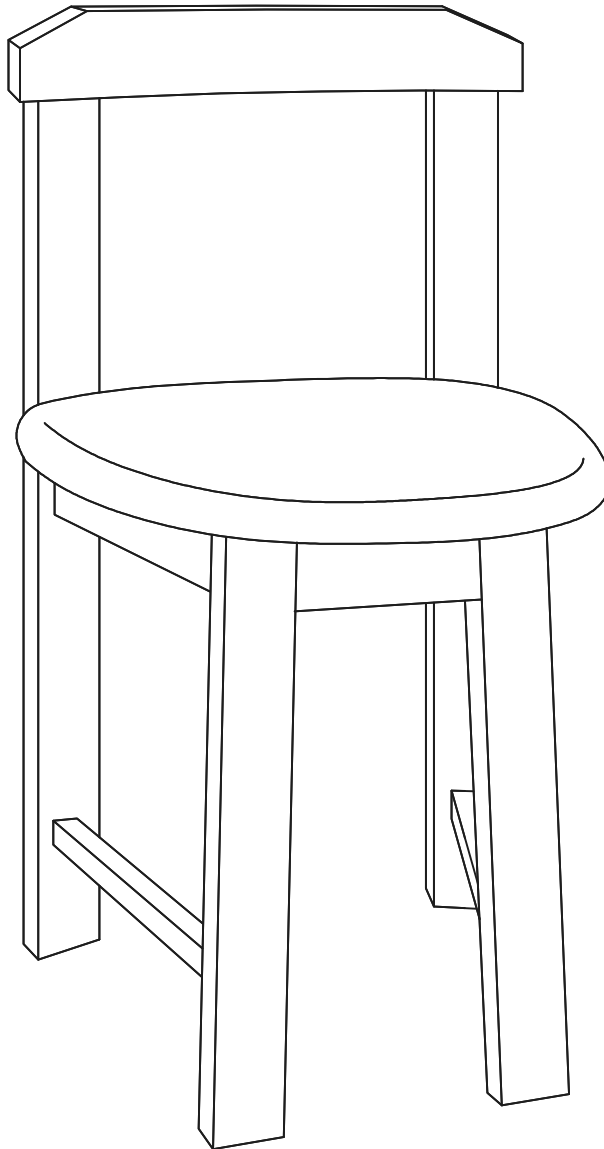
**Note:** The maximum safe weight of user: 110kg.



### **Warning:**

- Do not stand on this chair. Do not use this chair as a step ladder.
- Use this product only for seating one person at a time.
- Do not use this chair unless all bolts, screws and knobs are firmly secured.
- At least every 4 months, check all bolts, screws and knobs, to be sure they are tight.
- If parts are missing, broken or damaged or worn, stop use of this product until repairs are made & using factory authorized parts.
- Failure to follow these warnings could result in serious injury.

**Assembly is complete.**



If you need help or have damaged or missing parts, call the **Customer Helpline: 0345 6400800**